

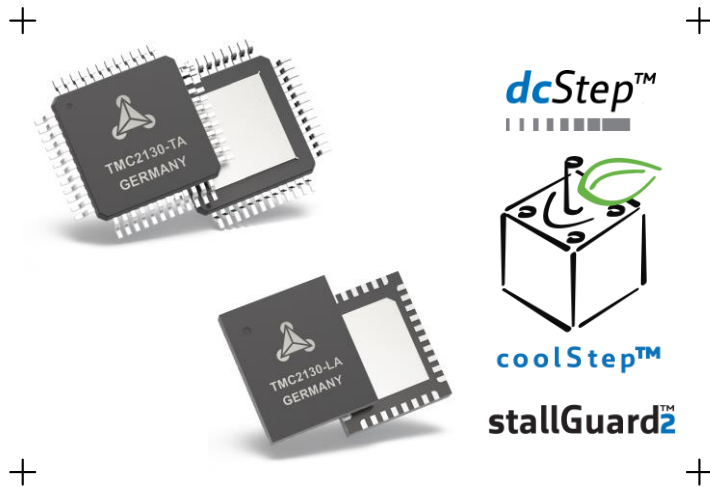


THE DATASHEET OF TMC2130-TA



TMC2130 DATASHEET

Universal high voltage driver for two-phase bipolar stepper motor. StealthChop™ for quiet movement. Integrated MOSFETs for up to 2.0A motor current per coil. With Step/Dir Interface and SPI.



APPLICATIONS

Textile, Sewing Machines
Factory & Lab Automation
3D printers
Liquid Handling
Medical
Office Automation
CCTV, Security
ATM, Cash recycler
POS
Pumps and Valves

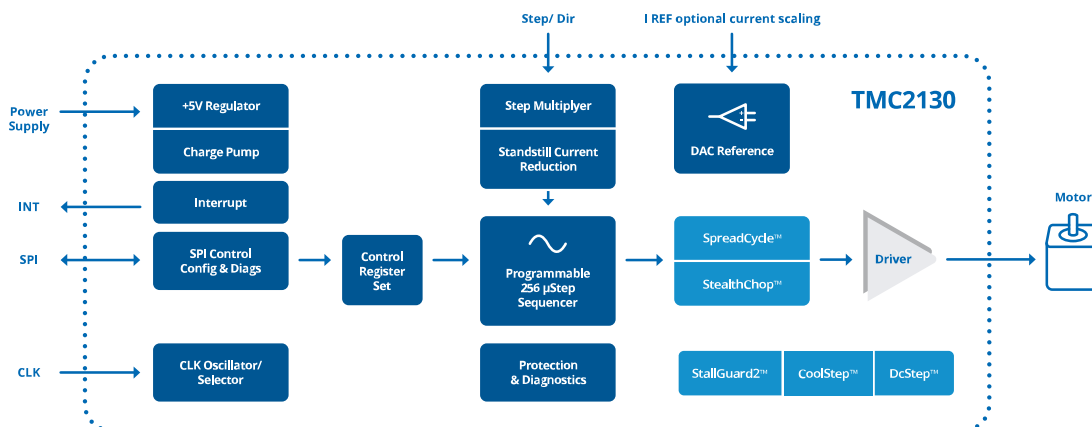
FEATURES AND BENEFITS

- 2-phase** stepper motors up to 2.0A coil current (2.5A peak)
- Voltage Range** 4.75... 46V DC
- Step/Dir Interface** with microstep interpolation **MicroPlyer™**
- SPI Interface**
- Highest Resolution** 256 microsteps per full step
- StealthChop™** for extremely quiet operation and smooth motion
- SpreadCycle™** highly dynamic motor control chopper
- DcStep™** load dependent speed control
- StallGuard2™** high precision sensorless motor load detection
- CoolStep™** current control for energy savings up to 75%
- Integrated Current Sense Option**
- Passive Braking** and freewheeling mode
- Full Protection & Diagnostics**
- Small Size** 5x6mm² QFN36 package or TQFP48 package

DESCRIPTION

The TMC2130 is a high-performance driver IC for two phase stepper motors. Standard SPI and STEP/DIR simplify communication. TRINAMICs sophisticated StealthChop chopper ensures noiseless operation combined with maximum efficiency and best motor torque. CoolStep allows reducing energy consumption by up to 75%. DcStep drives high loads as fast as possible without step loss. Integrated power MOSFETs handle motor currents up to 1.2A RMS (QFN package) / 1.4A RMS (TQFP) or 2.5A short time peak current per coil. Protection and diagnostic features support robust and reliable operation. Industries' most advanced stepper motor driver enables miniaturized designs with low external component count for cost-effective and highly competitive solutions.

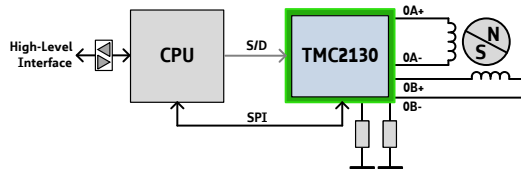
BLOCK DIAGRAM



APPLICATION EXAMPLES: HIGH VOLTAGE – MULTIPURPOSE USE

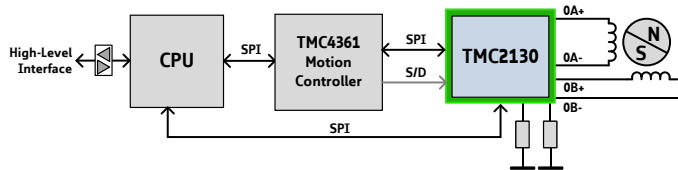
The TMC2130 scores with power density, integrated power MOSFETs, and a versatility that covers a wide spectrum of applications from battery systems up to embedded applications with 2.0A motor current per coil. Based on StallGuard2, CoolStep, DcStep, SpreadCycle, and StealthChop, the TMC2130 optimizes drive performance and keeps costs down. It considers velocity vs. motor load, realizes energy savings, smoothness of the drive and noiselessness. Extensive support at the chip, board, and software levels enables rapid design cycles and fast time-to-market with competitive products.

MINIATURIZED DESIGN FOR ONE STEPPER MOTOR



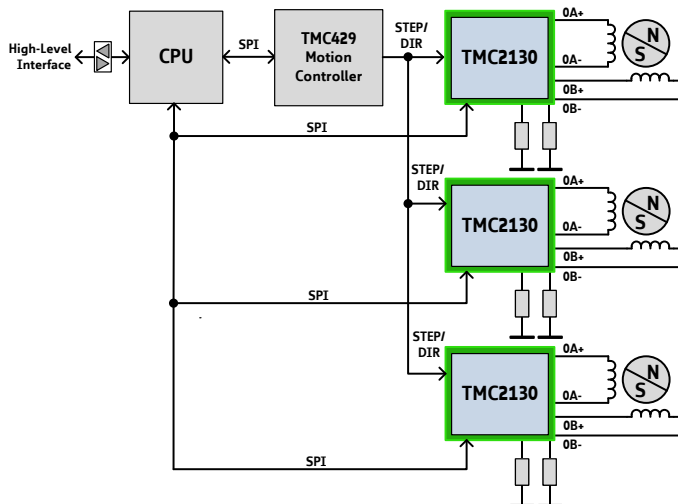
In this application, the CPU initializes the TMC2130 motor driver via SPI interface and controls motor movement by sending step and direction signals. A real time software realizes motion control.

DESIGN FOR DEMANDING APPLICATIONS WITH S-SHAPED RAMP PROFILES



The CPU initializes the TMC4361A motion controller and the TMC2130. Thereafter, it sends target positions to the TMC4361. Now, the TMC4361 takes control over the TMC2130. Combining the TMC4361A and the TMC2130 offers diverse possibilities for demanding applications including servo drive features.

COMPACT DESIGN FOR UP TO THREE STEPPER MOTORS



Here, an application with up to three stepper motors is shown. A single CPU combined with a TMC429 motion controller manages the whole stepper motor driver system. This design is highly economical and space saving if more than one stepper motor is needed.

ORDER CODES

| Order code | Description | Size [mm ²] |
|------------------------|--|-------------------------|
| TMC2130-LA | Stepper Motor Driver IC, SPI, Step/Dir, 5-46V Supply, 1.2A, QFN36, Tray | 5 x 6 |
| TMC2130-LA-T | Stepper Motor Driver IC, SPI, Step/Dir, 5-46V Supply, 1.2A, QFN36, Tape & Reel | 5 x 6 |
| TMC2130-TA | Stepper Motor Driver IC, SPI, Step/Dir, 5-46V Supply, 1.4A, eTQFP48, Tray | 7 x 7 (body) |
| TMC2130-TA-T | Stepper Motor Driver IC, SPI, Step/Dir, 5-46V Supply, 1.4A, eTQFP48, Tape & Reel | 7 x 7 (body) |
| TMC2130-EVAL-KIT | Full Evaluation Kit for TMC2130 | 126 x 85 |
| TMC2130-EVAL | Evaluation Board for TMC2130 (excl. Landungsbrücke and Eselsbrücke) | 85 x 55 |
| TMCSilentStepStick SPI | Step Direction Driver Board with TMC2130 | 20 x 15 |

Table of Contents

| | | | | | |
|----------|--|-----------|-----------|--|-----------|
| 1 | PRINCIPLES OF OPERATION | 5 | 8 | ANALOG CURRENT CONTROL AIN | 54 |
| 1.1 | KEY CONCEPTS | 7 | 9 | SELECTING SENSE RESISTORS | 55 |
| 1.2 | SPI CONTROL INTERFACE | 7 | 10 | INTERNAL SENSE RESISTORS | 57 |
| 1.3 | SOFTWARE | 7 | 11 | VELOCITY BASED MODE CONTROL | 59 |
| 1.4 | MOVING THE MOTOR | 7 | 12 | DRIVER DIAGNOSTIC FLAGS | 61 |
| 1.5 | STEALTHCHOP DRIVER | 8 | 12.1 | TEMPERATURE MEASUREMENT | 61 |
| 1.6 | STALLGUARD ₂ – MECHANICAL LOAD SENSING. | 8 | 12.2 | SHORT TO GND PROTECTION | 61 |
| 1.7 | COOLSTEP – LOAD ADAPTIVE CURRENT CONTROL | 8 | 12.3 | OPEN LOAD DIAGNOSTICS | 61 |
| 1.8 | DCSTEP – LOAD DEPENDENT SPEED CONTROL | 9 | 14 | STALLGUARD₂ LOAD MEASUREMENT | 62 |
| 2 | PIN ASSIGNMENTS | 10 | 14.1 | TUNING STALLGUARD ₂ THRESHOLD SGT | 63 |
| 2.1 | PACKAGE OUTLINE | 10 | 14.2 | STALLGUARD ₂ UPDATE RATE AND FILTER | 65 |
| 2.2 | SIGNAL DESCRIPTIONS | 11 | 14.3 | DETECTING A MOTOR STALL | 65 |
| 3 | SAMPLE CIRCUITS | 13 | 14.4 | LIMITS OF STALLGUARD ₂ OPERATION | 65 |
| 3.1 | STANDARD APPLICATION CIRCUIT | 13 | 15 | COOLSTEP OPERATION | 66 |
| 3.2 | REDUCED NUMBER OF COMPONENTS | 14 | 15.1 | USER BENEFITS | 66 |
| 3.3 | INTERNAL RDSON SENSING | 15 | 15.2 | SETTING UP FOR COOLSTEP | 66 |
| 3.4 | EXTERNAL 5V POWER SUPPLY | 16 | 15.3 | TUNING COOLSTEP | 68 |
| 3.5 | PRE-REGULATOR FOR REDUCED POWER DISSIPATION | 16 | 16 | STEP/DIR INTERFACE | 69 |
| 3.6 | 5V ONLY SUPPLY | 17 | 16.1 | TIMING | 69 |
| 3.7 | HIGH MOTOR CURRENT | 18 | 16.2 | CHANGING RESOLUTION | 70 |
| 3.8 | DRIVER PROTECTION AND EME CIRCUITRY | 20 | 16.3 | MICROPLYER STEP INTERPOLATOR AND STAND STILL DETECTION | 71 |
| 4 | SPI INTERFACE | 21 | 17 | DIAG OUTPUTS | 72 |
| 4.1 | SPI DATAGRAM STRUCTURE | 21 | 18 | DCSTEP | 73 |
| 4.2 | SPI SIGNALS | 22 | 18.1 | USER BENEFITS | 73 |
| 4.3 | TIMING | 23 | 18.2 | DESIGNING-IN DCSTEP | 73 |
| 5 | REGISTER MAPPING | 24 | 18.3 | DCSTEP WITH STEP/DIR INTERFACE | 74 |
| 5.1 | GENERAL CONFIGURATION REGISTERS | 25 | 18.4 | STALL DETECTION IN DCSTEP MODE | 77 |
| 5.2 | VELOCITY DEPENDENT DRIVER FEATURE CONTROL REGISTER SET | 27 | 19 | SINE-WAVE LOOK-UP TABLE | 78 |
| 5.3 | SPI MODE REGISTER | 29 | 19.1 | USER BENEFITS | 78 |
| 5.4 | DCSTEP MINIMUM VELOCITY REGISTER | 29 | 19.2 | MICROSTEP TABLE | 78 |
| 5.5 | MOTOR DRIVER REGISTERS | 30 | 20 | EMERGENCY STOP | 79 |
| 6 | STEALTHCHOP™ | 39 | 21 | DC MOTOR OR SOLENOID | 80 |
| 6.1 | TWO MODES FOR CURRENT REGULATION | 39 | 21.1 | SOLENOID OPERATION | 80 |
| 6.2 | AUTOMATIC SCALING | 40 | 22 | QUICK CONFIGURATION GUIDE | 81 |
| 6.3 | VELOCITY BASED SCALING | 42 | 23 | GETTING STARTED | 84 |
| 6.4 | COMBINING STEALTHCHOP AND SPREADCYCLE. | 44 | 23.1 | INITIALIZATION EXAMPLE | 84 |
| 6.5 | FLAGS IN STEALTHCHOP | 45 | 24 | STANDALONE OPERATION | 85 |
| 6.6 | FREEWHEELING AND PASSIVE MOTOR BRAKING | 46 | 25 | EXTERNAL RESET | 88 |
| 7 | SPREADCYCLE AND CLASSIC CHOPPER | 47 | 26 | CLOCK OSCILLATOR AND INPUT | 88 |
| 7.1 | SPREADCYCLE CHOPPER | 48 | 26.1 | CONSIDERATIONS ON THE FREQUENCY | 88 |
| 7.2 | CLASSIC CONSTANT OFF TIME CHOPPER | 51 | 27 | ABSOLUTE MAXIMUM RATINGS | 89 |
| 7.3 | RANDOM OFF TIME | 52 | | | |
| 7.4 | CHOPSYNC ₂ FOR QUIET 2-PHASE MOTOR | 53 | | | |

| | | | |
|-----------|--|-----------|---|
| 28 | ELECTRICAL CHARACTERISTICS.....89 | 30.1 | DIMENSIONAL DRAWINGS QFN ₃₆ 5X6 97 |
| 28.1 | OPERATIONAL RANGE89 | 30.2 | DIMENSIONAL DRAWINGS TQFP-EP ₄₈ 99 |
| 28.2 | DC AND TIMING CHARACTERISTICS90 | 30.3 | PACKAGE CODES.....100 |
| 28.3 | THERMAL CHARACTERISTICS.....93 | 31 | DISCLAIMER.....101 |
| 29 | LAYOUT CONSIDERATIONS94 | 32 | ESD SENSITIVE DEVICE.....101 |
| 29.1 | EXPOSED DIE PAD94 | 33 | DESIGNED FOR SUSTAINABILITY.....101 |
| 29.2 | WIRING GND.....94 | 34 | TABLE OF FIGURES102 |
| 29.3 | SUPPLY FILTERING94 | 35 | REVISION HISTORY.....103 |
| 29.4 | LAYOUT EXAMPLE (QFN ₃₆).....95 | 36 | REFERENCES103 |
| 30 | PACKAGE MECHANICAL DATA.....97 | | |

1 Principles of Operation

THE TMC2130 OFFERS THREE BASIC MODES OF OPERATION:

In *Step/Direction Driver Mode*, the TMC2130 is the microstep sequencer and power driver between a motion controller and a two-phase stepper motor. Configuration of the TMC2130 is done via SPI. A dedicated motion controller IC or the CPU sends step and direction signals to the TMC2130. The TMC2130 provides the related motor coil currents to operate the motor. In *Standalone Mode*, the TMC2130 can be configured using pins. In this mode of operation CPU interaction is not necessary. The third mode of operation is the *SPI Driver Mode*, which is used in combination with TRINAMICs TMC4361 motion controller chip. This mode of operation offers several possibilities for sophisticated applications.

OPERATION MODE 1: Step/Direction Driver Mode

An external motion controller is used, or a central CPU generates step and direction signals. The motion controller (e.g., TMC429) controls the motor position by sending pulses on the STEP signal while indicating the direction on the DIR signal. The TMC2130 provides a microstep counter and a sine table to convert these signals into the coil currents which control the position of the motor. The TMC2130 automatically takes care of intelligent current and mode control and delivers feedback on the state of the motor. The MicroPlyer automatically smoothens motion. To optimize power consumption and heat dissipation, software may also adjust CoolStep and StallGuard2 parameters in real-time, for example to implement different tradeoffs between speed and power consumption.

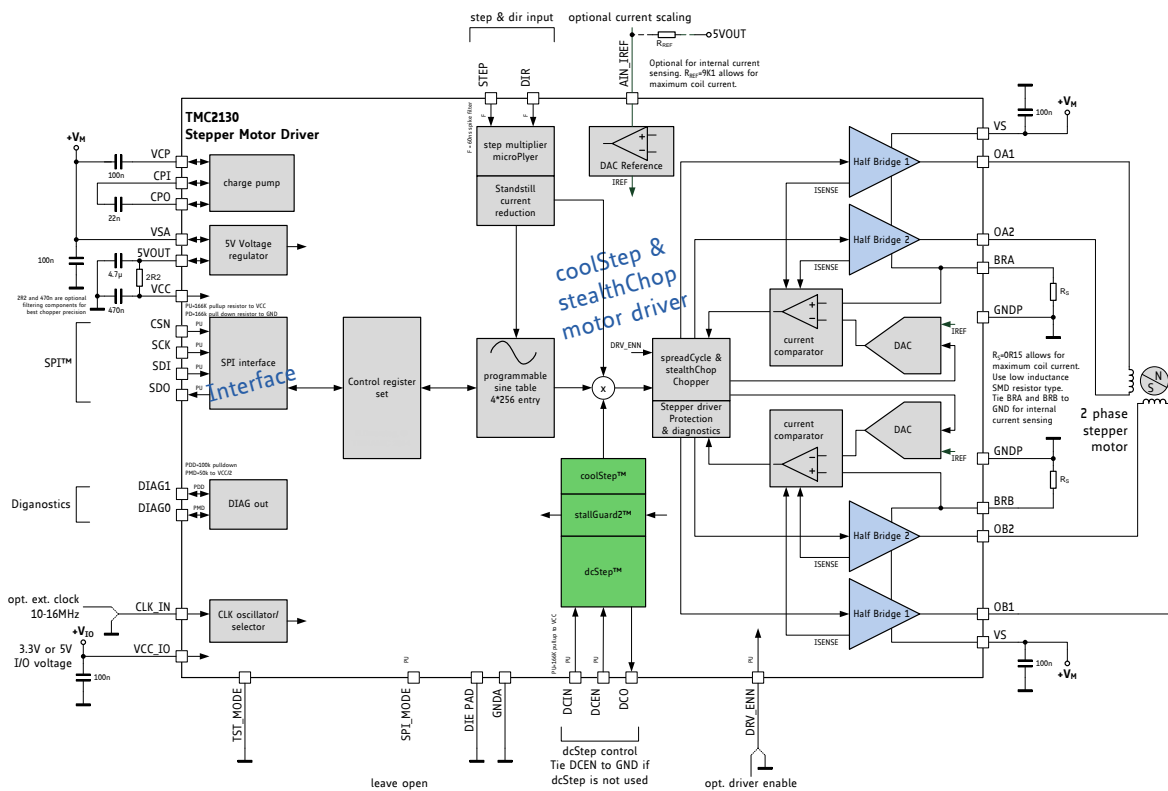


Figure 1.1 TMC2130 STEP/DIR application diagram

OPERATION MODE 2: Standalone Mode

The TMC2130 positions the motor based on step and direction signals. The MicroPlyer automatically smoothens motion. No CPU interaction is required. Configuration is done by hardware pins. Basic standby current control can be done by the TMC2130. Optional feedback signals allow error detection and synchronization.

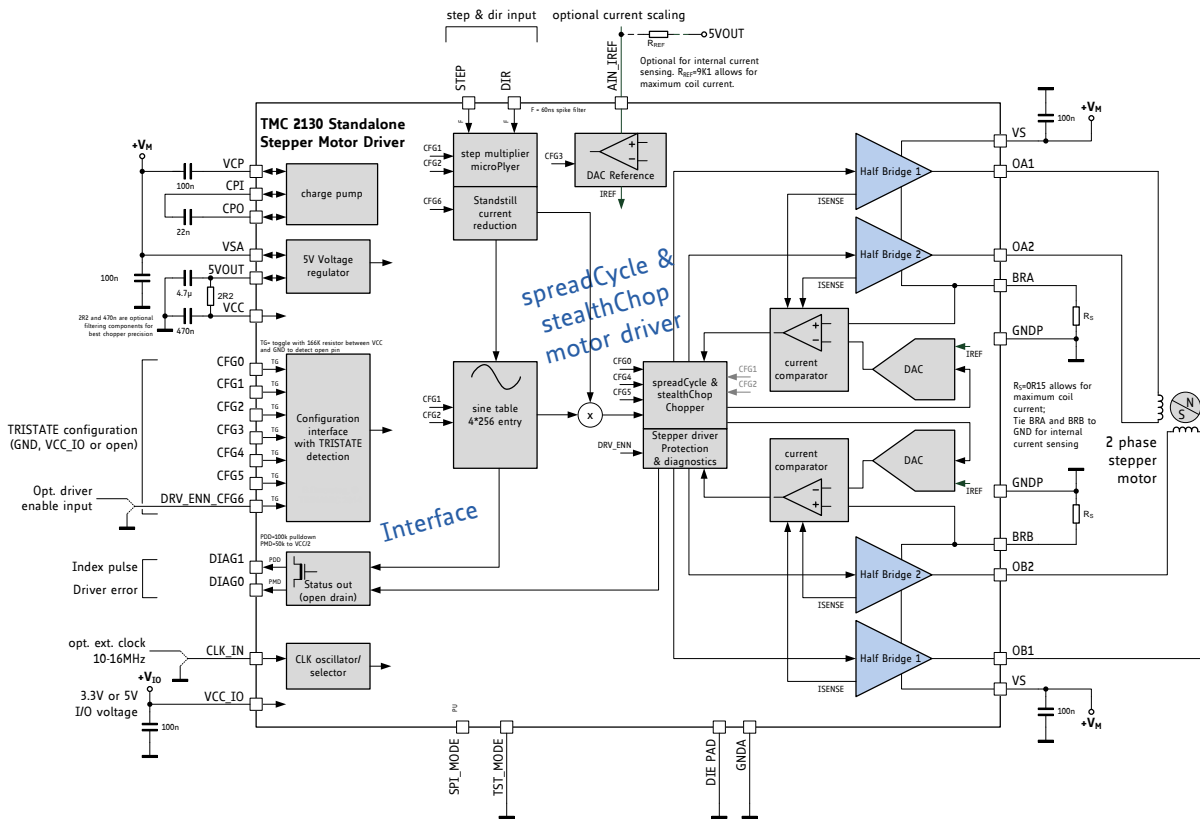


Figure 1.2 TMC2130 standalone driver application diagram

OPERATION MODE 3: SPI Driver Mode

Together with the TMC4361A high-performance S-ramp motion controller the TMC2130 stepper motor driver offers an SPI control mode, which gives full control over the motor coil currents to the TMC4361A. Combining these two ICs offers several possibilities for demanding applications including servo features. Please refer to Figure 1.1 for more information about the pinning, which is identical to step/direction driver mode, except that the STEP & DIR pins are not required for operation.

1.1 Key Concepts

The TMC2130 implements advanced features which are exclusive to TRINAMIC products. These features contribute toward greater precision, greater energy efficiency, higher reliability, smoother motion, and cooler operation in many stepper motor applications.

| | |
|---------------------|---|
| StealthChop™ | No-noise, high-precision chopper algorithm for inaudible motion and inaudible standstill of the motor. |
| SpreadCycle™ | High-precision chopper algorithm for highly dynamic motion and absolutely clean current wave. |
| DcStep™ | Load dependent speed control. The motor moves as fast as possible and never loses a step. |
| StallGuard2™ | Sensorless stall detection and mechanical load measurement. |
| CoolStep™ | Load-adaptive current control reducing energy consumption by as much as 75%. |
| MicroPlyer™ | Microstep interpolator for obtaining increased smoothness of microstepping when using the STEP/DIR interface. |

In addition to these performance enhancements, TRINAMIC motor drivers offer safeguards to detect and protect against shorted outputs, output open-circuit, overtemperature, and undervoltage conditions for enhancing safety and recovery from equipment malfunctions.

1.2 SPI Control Interface

The SPI interface is a bit-serial interface synchronous to a bus clock. For every bit sent from the bus master to the bus slave another bit is sent simultaneously from the slave to the master. Communication between an SPI master and the TMC2130 slave always consists of sending one 40-bit command word and receiving one 40-bit status word.

The SPI command rate typically is a single initialization after power-on.

1.3 Software

From a software point of view the TMC2130 is a peripheral with a number of control and status registers. Most of them can either be written only or read only. Some of the registers allow both read and write access. In case read-modify-write access is desired for a write only register, a shadow register can be realized in master software.

1.4 Moving the Motor

1.4.1 STEP/DIR Interface

The motor can be controlled by a step and direction input. Active edges on the STEP input can be rising edges or both rising and falling edges as controlled by a mode bit (*dedge*). Using both edges cuts the toggle rate of the STEP signal in half, which is useful for communication over slow interfaces such as optically isolated interfaces. On each active edge, the state sampled from the DIR input determines whether to step forward or back. Each step can be a fullstep or a microstep, in which there are 2, 4, 8, 16, 32, 64, 128, or 256 microsteps per fullstep. A step impulse with a low state on DIR increases the microstep counter and a high state decreases the counter by an amount controlled by the microstep resolution. An internal table translates the counter value into the sine and cosine values which control the motor current for microstepping.

1.4.2 SPI Direct Mode

The direct mode allows control of both motor coil currents and polarity via SPI. It mainly is intended for use with a dedicated external motion controller IC with integrated sequencer. The sequencer applies sine and cosine waves to the motor coils. This mode also allows control of DC motors, etc.

1.8 DcStep – Load Dependent Speed Control

DcStep allows the motor to run near its load limit and at its velocity limit without losing a step. If the mechanical load on the motor increases to the stalling load, the motor automatically decreases velocity so that it can still drive the load. With this feature, the motor will never stall. In addition to the increased torque at a lower velocity, dynamic inertia will allow the motor to overcome mechanical overloads by decelerating. DcStep feeds back status information to the external motion controller or to the system CPU, so that the target position will be reached, even if the motor velocity needs to be decreased due to increased mechanical load. A dynamic range of up to factor 10 or more can be covered by DcStep without any step loss. By optimizing the motion velocity in high load situations, this feature further enhances overall system efficiency.

Benefits are:

- Motor does not lose steps in overload conditions
- Application works as fast as possible
- Highest possible acceleration automatically
- Highest energy efficiency at speed limit
- Highest possible motor torque using fullstep drive
- Cheaper motor does the job

2 Pin Assignments

2.1 Package Outline

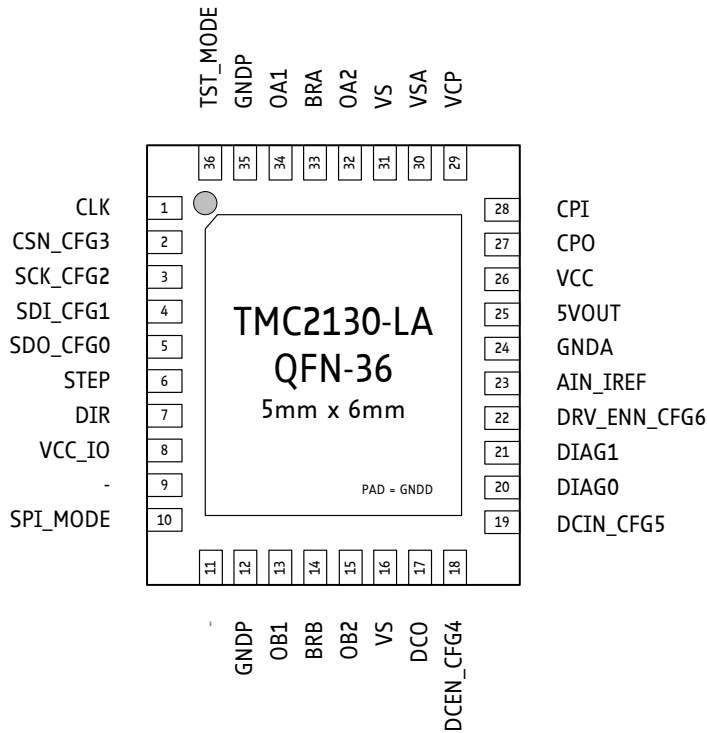


Figure 2.1 TMC2130-LA package and pinning QFN36 (5x6mm² body)

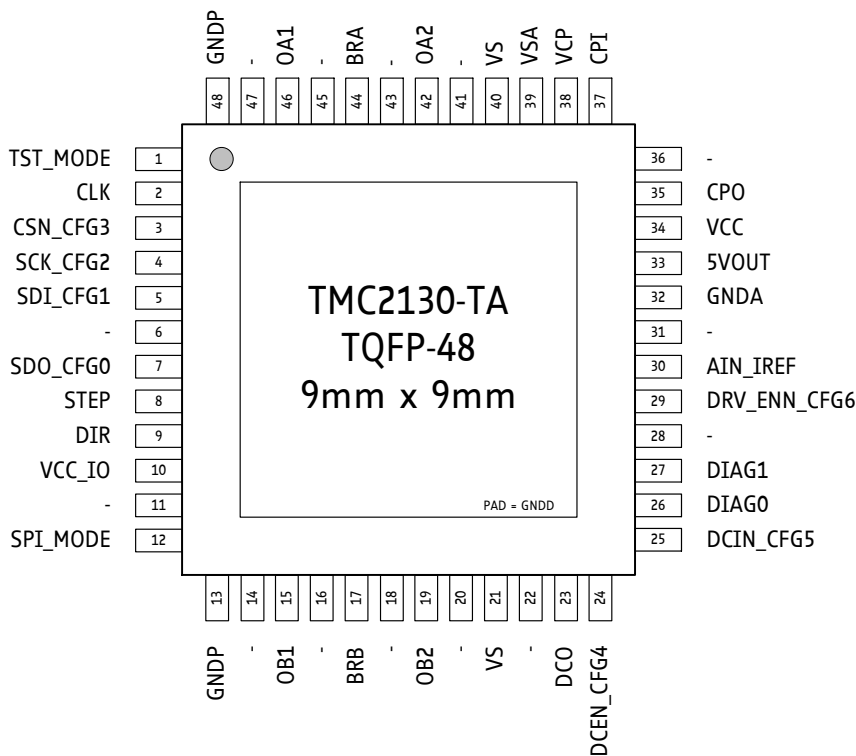


Figure 2.2 TMC2130-TA package and pinning TQFP-EP 48-EP (7x7mm² body, 9x9mm² with leads)

2.2 Signal Descriptions

| Pin | QFN36 | TQFP48 | Type | Function |
|--------------|--------|--|-----------|--|
| CLK | 1 | 2 | DI | CLK input. Tie to GND using short wire for internal clock or supply external clock. |
| CSN_CFG3 | 2 | 3 | DI (tpu) | SPI chip select input (negative active) (SPI_MODE=1) or Configuration input (SPI_MODE=0) (tristate detection). |
| SCK_CFG2 | 3 | 4 | DI (tpu) | SPI serial clock input (SPI_MODE=1) or Configuration input (SPI_MODE=0) (tristate detection). |
| SDI_CFG1 | 4 | 5 | DI (tpu) | SPI data input (SPI_MODE=1) or Configuration input (SPI_MODE=0) (tristate detection). |
| SDO_CFG0 | 5 | 7 | DIO (tpu) | SPI data output (tristate) (SPI_MODE=1) or Configuration input (SPI_MODE=0) (tristate detection). |
| STEP | 6 | 8 | DI | STEP input |
| DIR | 7 | 9 | DI | DIR input |
| VCC_IO | 8 | 10 | | 3.3V to 5V IO supply voltage for all digital pins. Does not supply digital circuitry within the IC! |
| DNC | 9 | 11, 14, 16, 18, 20, 22, 28, 41, 43, 45, 47 | - | Do not connect. Leave open to ensure highest distance for high voltage pins in TQFP package! |
| SPI_MODE | 10 | 12 | DI (pu) | Mode selection input with pullup resistor. When tied low, the chip is in standalone mode and pins have their CFG functions. When tied high, the SPI interface is available for control. Integrated pull-up resistor. |
| N.C. | 11 | 6, 31, 36 | | Unused pin, connect to GND for compatibility to future versions. |
| GNDP | 12, 35 | 13, 48 | | Power GND. Connect to GND plane near pin. |
| OB1 | 13 | 15 | | Motor coil B output 1 |
| BRB | 14 | 17 | | Sense resistor connection for coil B. Place sense resistor to GND near pin. An additional 100nF capacitor to GND (GND plane) is recommended for best performance. |
| OB2 | 15 | 19 | | Motor coil B output 2 |
| VS | 16, 31 | 21, 40 | | Motor supply voltage. Provide filtering capacity near pin with short loop to nearest GNDP pin (respectively via GND plane). |
| DCO | 17 | 23 | DIO | DcStep ready output |
| DCEN_CFG4 | 18 | 24 | DI (tpu) | DcStep enable input (SPI_MODE=1) - tie to GND for normal operation (no DcStep) or Configuration input (SPI_MODE=0) (tristate detection). |
| DCIN_CFG5 | 19 | 25 | DI (tpu) | DcStep gating input for axis synchronization (SPI_MODE=1) or Configuration input (SPI_MODE=0) (tristate detection). |
| DIAG0 | 20 | 26 | DIO | Diagnostics output DIAG0. Use external pull-up resistor with 47k or less in open drain mode. |
| DIAG1 | 21 | 27 | DIO | Diagnostics output DIAG1. Use external pull-up resistor with 47k or less in open drain mode. |
| DRV_ENN_CFG6 | 22 | 29 | DI (tpu) | Enable input (SPI_MODE=1) or configuration / Enable input (SPI_MODE=0) (tristate detection). The power stage becomes switched off (all motor outputs floating) when this pin becomes driven to a high level. |

| Pin | QFN36 | TQFP48 | Type | Function |
|-----------------|-------|--------|------|---|
| AIN_IREF | 23 | 30 | AI | Analog reference voltage for current scaling (optional mode) or reference current for use of internal sense resistors |
| GND_A | 24 | 32 | | Analog GND. Tie to GND plane. |
| 5VOUT | 25 | 33 | | Output of internal 5V regulator. Attach 2.2 μ F or larger ceramic capacitor to GND_A near to pin for best performance. May be used to supply VCC of chip. |
| VCC | 26 | 34 | | 5V supply input for digital circuitry within chip and charge pump. Attach 470nF capacitor to GND (GND plane). May be supplied by 5VOUT. A 2.2 or 3.3 Ohm resistor is recommended for decoupling noise from 5VOUT. When using an external supply, make sure, that VCC comes up before or in parallel to 5VOUT or VCC_IO, whichever comes up later! |
| CPO | 27 | 35 | | Charge pump capacitor output. |
| CPI | 28 | 37 | | Charge pump capacitor input. Tie to CPO using 22nF 50V capacitor. |
| VCP | 29 | 38 | | Charge pump voltage. Tie to VS using 100nF capacitor. |
| VSA | 30 | 39 | | Analog supply voltage for 5V regulator. Normally tied to VS. Provide a 100nF filtering capacitor. |
| OA2 | 32 | 42 | | Motor coil A output 2 |
| BRA | 33 | 44 | | Sense resistor connection for coil A. Place sense resistor to GND near pin. An additional 100nF capacitor to GND (GND plane) is recommended for best performance. |
| OA1 | 34 | 46 | | Motor coil A output 1 |
| TST_MODE | 36 | 1 | DI | Test mode input. Tie to GND using short wire. |
| Exposed die pad | - | - | | Connect the exposed die pad to a GND plane. Provide as many as possible vias for heat transfer to GND plane. Serves as GND pin for digital circuitry. |

*(pu) denominates a pin with pullup resistor; (tpu) denominates a pin with pullup resistor or toggle detection. Toggle detection is active in standalone mode, only (SPI_MODE=0)

* Digital Pins: All pins of type DI, DI(pu), DI(tpu), DIO and DIO(tpu) refer to VCC_IO and have intrinsic protective clamping diodes to GND and VCC_IO and use Schmitt trigger inputs.

3 Sample Circuits

The sample circuits show the connection of external components in different operation and supply modes. The connection of the bus interface and further digital signals is left out for clarity.

3.1 Standard Application Circuit

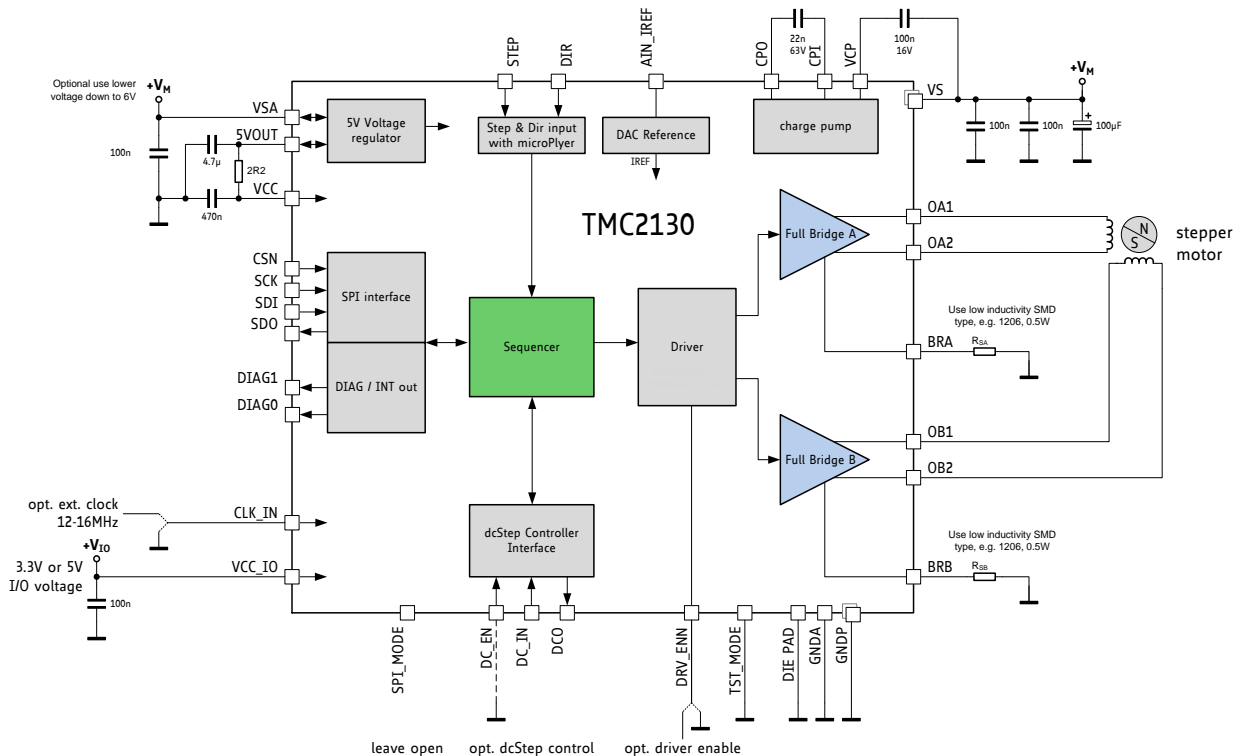


Figure 3.1 Standard application circuit

The standard application circuit uses two sense resistors to set the motor coil current. See chapter 9 to choose the right sense resistors. Use low ESR capacitors for filtering the power supply. The capacitors need to cope with the current ripple cause by chopper operation. A minimum capacity of 100 μ F near the driver is recommended for best performance. Current ripple in the supply capacitors also depends on the power supply internal resistance and cable length. VCC_IO can be supplied from 5VOUT, or from an external source, e.g., a low drop 3.3V regulator. In order to minimize linear voltage regulator power dissipation of the internal 5V voltage regulator in applications where VM is high, a different (lower) supply voltage can be used for VSA, if available. For example, many applications provide a 12V supply in addition to a higher driver supply voltage. Using the 12V supply for VSA rather than 24V will reduce the power dissipation of the internal 5V regulator to about 37% of the dissipation caused by supply with the full motor voltage.

Basic layout hints

Place sense resistors and all filter capacitors as close as possible to the related IC pins. Use a solid common GND for all GND connections, also for sense resistor GND. Connect 5VOUT filtering capacitor directly to 5VOUT and GND_A pin. See layout hints for more details. Low ESR electrolytic capacitors are recommended for VS filtering.

Attention

Ensure sufficient capacity on VS to limit supply ripple, and to keep power slopes below $1V/\mu s$. Failure to do so could result in destructive currents via the charge pump capacitor. Provide overvoltage protection in case the motor could be manually turned at a high velocity, or in case the driver could become cut off from the main supply capacitors. Significant energy can be fed back from motor coils to the power supply in the event of quick deceleration, or when the driver becomes disabled.

Attention

In case VSA is supplied by a different voltage source, make sure that VSA does not exceed VS by more than one diode drop, especially also upon power up or power down.

3.2 Reduced Number of Components

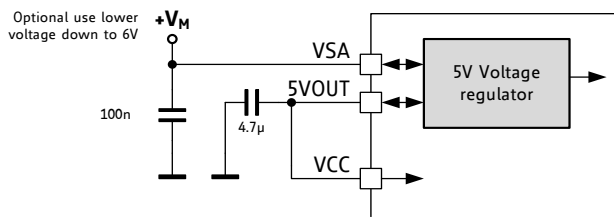


Figure 3.2 Reduced number of filtering components

The standard application circuit uses RC filtering to de-couple the output of the internal linear regulator from high frequency ripple caused by digital circuitry supplied by the VCC input. For cost sensitive applications, the RC-Filtering on VCC can be eliminated. This leads to more noise on 5VOUT caused by operation of the charge pump and the internal digital circuitry. There is a slight impact on microstep vibration and chopper noise performance.

3.4 External 5V Power Supply

When a clean external 5V power supply is available, the power dissipation caused by the internal linear regulator can be eliminated by directly supplying the analog and digital part (Figure 3.4) of the TMC2130. This especially is beneficial in high voltage applications, and when thermal conditions are critical. Make sure, that the 5V supply does not exceed VS level by more than a diode drop. The circuit will benefit from a well-regulated supply, e.g., when using a +/-1% regulator. A precise supply guarantees increased motor current precision because the voltage at 5VOUT directly is the reference voltage for all internal units of the driver, especially for motor current control. For best performance, the power supply should have low ripple to give a precise and stable level at 5VOUT pin with remaining ripple well below 5mV. Some switching regulators have a higher remaining ripple, or different loads on the supply may cause lower frequency ripple. In this case, increase capacity attached to 5VOUT. In case the external supply voltage has poor stability or low frequency ripple, this would affect the precision of the motor current regulation as well as add chopper noise.

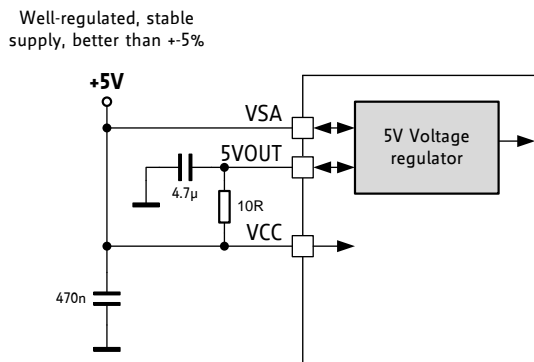


Figure 3.4 Using an external 5V supply to bypass internal regulator

3.5 Pre-Regulator for Reduced Power Dissipation

When operating at supply voltages up to 46V for VS and VSA, the internal linear regulator will contribute with up to 1W to the power dissipation of the driver. This will reduce the capability of the chip to continuously drive high motor current, especially at high environment temperatures. When no external power supply in the range 5V to 24V is available, an external pre-regulator can be built with a few inexpensive components to dissipate most of the voltage drop in external components. Figure 3.5 shows different examples. In case a well-defined supply voltage is available, a single 1W or higher power Zener diode also does the job.

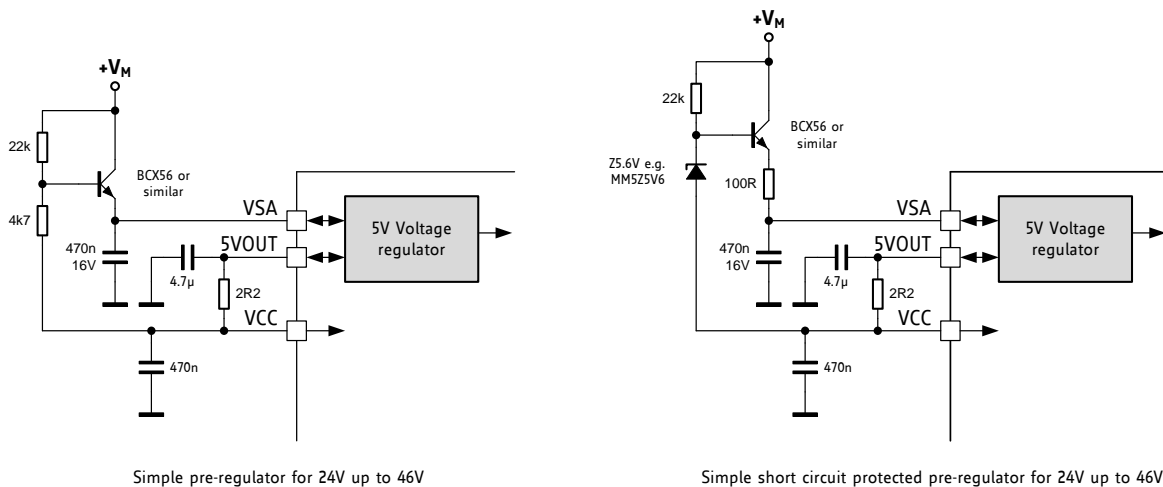


Figure 3.5 Examples for simple pre-regulators

3.7 High Motor Current

When operating at a high motor current, the driver power dissipation due to MOSFET switch on-resistance significantly heats up the driver. This power dissipation will heat up the PCB cooling infrastructure also, if operated at an increased duty cycle. This in turn leads to a further increase of driver temperature. An increase of temperature by about 100°C increases MOSFET resistance by roughly 50%. This is a typical behavior of MOSFET switches. Therefore, under high duty cycle, high load conditions, thermal characteristics have to be carefully taken into account, especially when increased environment temperatures are to be supported. Refer the thermal characteristics and the layout hints for more information. As a thumb rule, thermal properties of the PCB design become critical for the QFN-36 at or above about 1000mA RMS motor current for increased periods of time. Keep in mind that resistive power dissipation raises with the square of the motor current. On the other hand, this means that a small reduction of motor current significantly saves heat dissipation and energy.

An effect which might be perceived at medium motor velocities and motor sine wave peak currents above roughly 1.2A peak is a slight sine distortion of the current wave when using SpreadCycle. It results from an increasing negative impact of parasitic internal diode conduction, which in turn negatively influences the duration of the fast decay cycle of the SpreadCycle chopper. This is, because the current measurement does not see the full coil current during this phase of the sine wave, because an increasing part of the current flows directly from the power MOSFETs' drain to GND and does not flow through the sense resistor. This effect with most motors does not negatively influence the smoothness of operation, as it does not impact the critical current zero transition. The effect does not occur with StealthChop.

3.7.1 Reduce Linear Regulator Power Dissipation

When operating at high supply voltages, as a first step the power dissipation of the integrated 5V linear regulator can be reduced, e.g., by using an external 5V source for supply. This will reduce overall heating. It is advised to reduce motor stand still current to decrease overall power dissipation. If applicable, also use CoolStep. A decreased clock frequency will reduce power dissipation of the internal logic. Further a decreased chopper frequency also can reduce power dissipation.

3.7.2 Operation near to / above 2A Peak Current

The driver can deliver up to 2.5A motor peak current. Considering thermal characteristics, this only is possible in duty cycle limited operation. When a peak current up to 2.5A is to be driven, the driver chip temperature is to be kept at a maximum of 105°C. Linearly derate the design peak temperature from 125°C to 105°C in the range 2A to 2.5A output current (see Figure 3.7). Exceeding this may lead to triggering the short circuit detection.

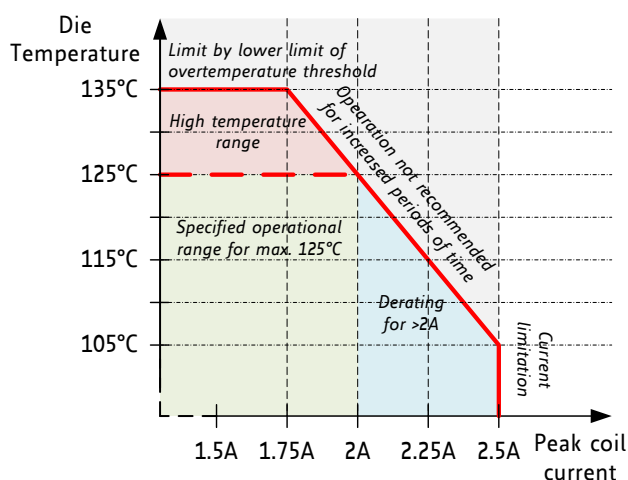


Figure 3.7 Derating of maximum sine wave peak current at increased die temperature

3.7.3 Reduction of Resistive Losses by Adding Schottky Diodes

Schottky Diodes can be added to the circuit to reduce driver power dissipation when driving high motor currents (see Figure 3.8). The Schottky diodes have a conduction voltage of about 0.5V and will take over more than half of the motor current during the negative half wave of each output in slow decay and fast decay phases, thus leading to a cooler motor driver. This effect starts from a few percent at 1.2A and increases with higher motor current rating up to roughly 20%. As a 30V Schottky diode has a lower forward voltage than a 50V or 60V diode, it makes sense to use a 30V diode when the supply voltage is below 30V. The diodes will have less effect when working with StealthChop due to lower times of diode conduction in the chopper cycle. At current levels below 1.2A coil current, the effect of the diodes is negligible.

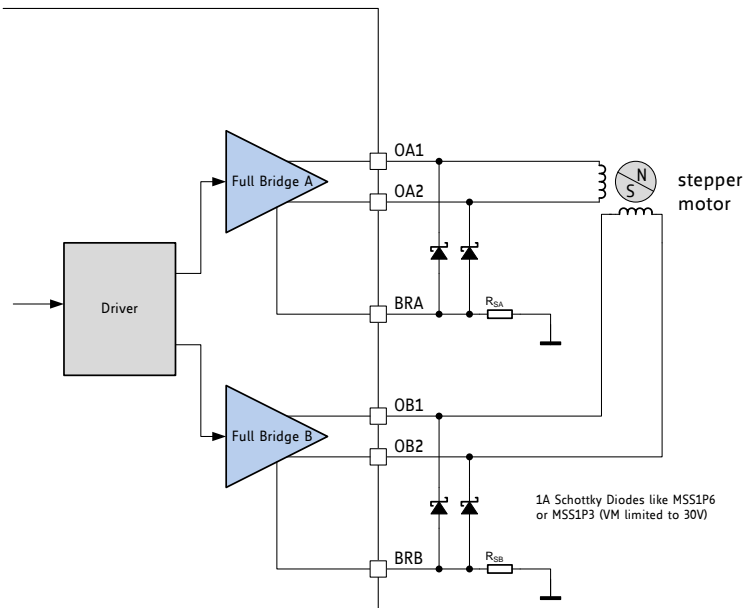


Figure 3.8 Schottky diodes reduce power dissipation at high peak currents up to 2A (2.5A)

3.8 Driver Protection and EME Circuitry

Some applications have to cope with ESD events caused by motor operation or external influence. Despite ESD circuitry within the driver chips, ESD events occurring during operation can cause a reset or even a destruction of the motor driver, depending on their energy. Especially plastic housings and belt drive systems tend to cause ESD events of several kV. It is best practice to avoid ESD events by attaching all conductive parts, especially the motors themselves to PCB ground, or to apply electrically conductive plastic parts. In addition, the driver can be protected up to a certain degree against ESD events or live plugging / pulling the motor, which also causes high voltages and high currents into the motor connector terminals. A simple scheme uses capacitors at the driver outputs to reduce the dV/dt caused by ESD events. Larger capacitors will bring more benefit concerning ESD suppression, but cause additional current flow in each chopper cycle, and thus increase driver power dissipation, especially at high supply voltages. The values shown are example values – they might be varied between 100pF and 1nF. The capacitors also dampen high frequency noise injected from digital parts of the application PCB circuitry and thus reduce electromagnetic emission. A more elaborate scheme uses LC filters to de-couple the driver outputs from the motor connector. Varistors in between of the coil terminals eliminate coil overvoltage caused by live plugging. Optionally protect all outputs by a varistor against ESD voltage.

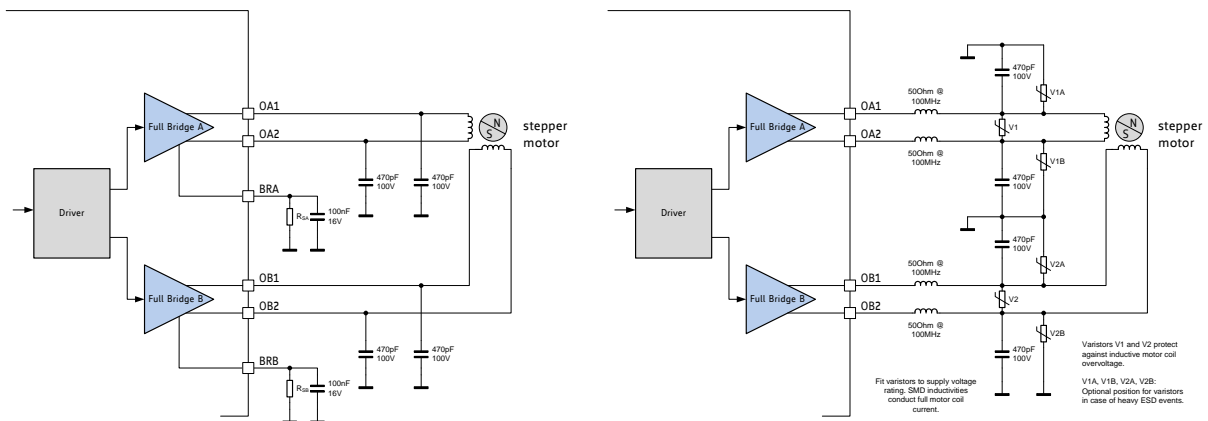


Figure 3.9 Simple ESD enhancement and more elaborate motor output protection

Example:

For a read access to the register (*DRV_STATUS*) with the address 0x6F, the address byte has to be set to 0x6F in the access preceding the read access. For a write access to the register (*CHOPCONF*), the address byte has to be set to 0x80 + 0x6C = 0xEC. For read access, the data bit might have any value (-). So, one can set them to 0.

| action | data sent to TMC2130 | data received from TMC2130 |
|-------------------------------------|----------------------|----------------------------|
| read <i>DRV_STATUS</i> | → 0x6F00000000 | ← 0xSS & unused data |
| read <i>DRV_STATUS</i> | → 0x6F00000000 | ← 0xSS & <i>DRV_STATUS</i> |
| write <i>CHOPCONF</i> := 0x00ABCDEF | → 0xEC00ABCDEF | ← 0xSS & <i>DRV_STATUS</i> |
| write <i>CHOPCONF</i> := 0x00123456 | → 0xEC00123456 | ← 0xSS00ABCDEF |

*) S: is a placeholder for the status bits *SPI_STATUS*

4.1.2 SPI Status Bits Transferred with Each Datagram Read Back

New status information becomes latched at the end of each access and is available with the next SPI transfer.

| <i>SPI_STATUS</i> – status flags transmitted with each SPI access in bits 39 to 32 | | |
|--|---------------------|---|
| Bit | Name | Comment |
| 7 | - | <i>unused</i> |
| 6 | - | <i>unused</i> |
| 5 | - | <i>unused</i> |
| 4 | - | <i>unused</i> |
| 3 | <i>standstill</i> | <i>DRV_STATUS</i> [31] – 1: Signals motor stand still |
| 2 | <i>sg2</i> | <i>DRV_STATUS</i> [24] – 1: Signals StallGuard flag active |
| 1 | <i>driver_error</i> | <i>GSTAT</i> [1] – 1: Signals driver 1 driver error (clear by reading <i>GSTAT</i>) |
| 0 | <i>reset_flag</i> | <i>GSTAT</i> [0] – 1: Signals, that a reset has occurred (clear by reading <i>GSTAT</i>) |

4.1.3 Data Alignment

All data are right aligned. Some registers represent unsigned (positive) values, some represent integer values (signed) as two's complement numbers, single bits or groups of bits are represented as single bits respectively as integer groups.

4.2 SPI Signals

The SPI bus on the TMC2130 has four signals:

- SCK – bus clock input
- SDI – serial data input
- SDO – serial data output
- CSN – chip select input (active low)

The slave is enabled for an SPI transaction by a low on the chip select input CSN. Bit transfer is synchronous to the bus clock SCK, with the slave latching the data from SDI on the rising edge of SCK and driving data to SDO following the falling edge. The most significant bit is sent first. A minimum of 40 SCK clock cycles is required for a bus transaction with the TMC2130.

If more than 40 clocks are driven, the additional bits shifted into SDI are shifted out on SDO after a 40-clock delay through an internal shift register. This can be used for daisy chaining multiple chips.

CSN must be low during the whole bus transaction. When CSN goes high, the contents of the internal shift register are latched into the internal control register and recognized as a command from the master to the slave. If more than 40 bits are sent, only the last 40 bits received before the rising edge of CSN are recognized as the command.

4.3 Timing

The SPI interface is synchronized to the internal system clock, which limits the SPI bus clock SCK to half of the system clock frequency. If the system clock is based on the on-chip oscillator, an additional 10% safety margin must be used to ensure reliable data transmission. All SPI inputs as well as the ENN input are internally filtered to avoid triggering on pulses shorter than 20ns. Figure 4.1 shows the timing parameters of an SPI bus transaction, and the table below specifies their values.

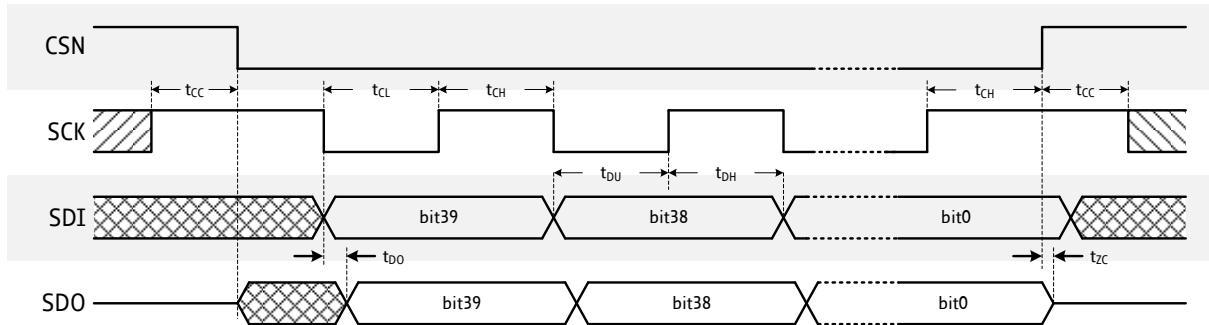


Figure 4.1 SPI timing

Hint

Usually, this SPI timing is referred to as SPI MODE 3

| SPI interface timing | AC-Characteristics | | | | | |
|--|-------------------------|--|----------------|----------------|--------------|------|
| | clock period: t_{CLK} | | | | | |
| Parameter | Symbol | Conditions | Min | Typ | Max | Unit |
| SCK valid before or after change of CSN | t_{CC} | | 10 | | | ns |
| CSN high time | t_{CSH} | *) Min time is for synchronous CLK with SCK high one t_{CH} before CSN high only | $t_{CLK}^{*)}$ | $>2t_{CLK}+10$ | | ns |
| SCK low time | t_{CL} | *) Min time is for synchronous CLK only | $t_{CLK}^{*)}$ | $>t_{CLK}+10$ | | ns |
| SCK high time | t_{CH} | *) Min time is for synchronous CLK only | $t_{CLK}^{*)}$ | $>t_{CLK}+10$ | | ns |
| SCK frequency using internal clock | f_{SCK} | assumes minimum OSC frequency | | | 4 | MHz |
| SCK frequency using external 16MHz clock | f_{SCK} | assumes synchronous CLK | | | 8 | MHz |
| SDI setup time before rising edge of SCK | t_{DU} | | 10 | | | ns |
| SDI hold time after rising edge of SCK | t_{DH} | | 10 | | | ns |
| Data out valid time after falling SCK clock edge | t_{DO} | no capacitive load on SDO | | | $t_{FILT}+5$ | ns |
| SDI, SCK and CSN filter delay time | t_{FILT} | rising and falling edge | 12 | 20 | 30 | ns |

5 Register Mapping

This chapter gives an overview of the complete register set. Some of the registers bundling a number of single bits are detailed in extra tables. The functional practical application of the settings is detailed in dedicated chapters.

Note

- All registers become reset to 0 upon power up, unless otherwise noted.
- Add 0x80 to the address **Addr** for write accesses!

NOTATION OF HEXADECIMAL AND BINARY NUMBERS

| | |
|----|---|
| 0x | precedes a hexadecimal number, e.g. 0x04 |
| % | precedes a multi-bit binary number, e.g. %100 |

NOTATION OF R/W FIELD

| | |
|-----|-----------------------------|
| R | Read only |
| W | Write only |
| R/W | Read- and writable register |
| R+C | Clear upon read |

OVERVIEW REGISTER MAPPING

| REGISTER | DESCRIPTION |
|--|---|
| General Configuration Registers | These registers contain <ul style="list-style-type: none"> - global configuration - global status flags - interface configuration - and I/O signal configuration |
| Velocity Dependent Driver Feature Control Register Set | This register set offers registers for <ul style="list-style-type: none"> - driver current control - setting thresholds for CoolStep operation - setting thresholds for different chopper modes - setting thresholds for DcStep operation |
| Motor Driver Register Set | This register set offers registers for <ul style="list-style-type: none"> - setting / reading out microstep table and counter - chopper and driver configuration - CoolStep and StallGuard2 configuration - DcStep configuration - reading out StallGuard2 values and driver error flags |
| DcStep Minimum Velocity | Setting for minimum DcStep velocity |

5.1 General Configuration Registers

| GENERAL CONFIGURATION REGISTERS (0x00...0x0F) | | | | |
|---|------|----|----------|---|
| R/W | Addr | n | Register | Description / bit names |
| RW | 0x00 | 17 | GCONF | Bit GCONF – Global configuration flags 0 <i>I_scale_analog</i> 0: Normal operation, use internal reference voltage 1: Use voltage supplied to AIN as current reference |
| | | | | 1 <i>internal_Rsense</i> 0: Normal operation 1: Internal sense resistors. Use current supplied into AIN as reference for internal sense resistor |
| | | | | 2 <i>en_pwm_mode</i> 1: StealthChop voltage PWM mode enabled (depending on velocity thresholds). Switch from off to on state while in stand still, only. |
| | | | | 3 <i>enc_commutation</i> (Special mode - do not use, leave 0) 1: Enable commutation by full step encoder (DCIN_CFG5 = ENC_A, DCEN_CFG4 = ENC_B) |
| | | | | 4 <i>shaft</i> 1: Inverse motor direction |
| | | | | 5 <i>diag0_error</i> 1: Enable DIAG0 active on driver errors: Over temperature (<i>ot</i>), short to GND (<i>s2g</i>) DIAG0 always shows the reset-status, i.e. is active low during reset condition. |
| | | | | 6 <i>diag0_otpw</i> 1: Enable DIAG0 active on driver over temperature prewarning (<i>otpw</i>) |
| | | | | 7 <i>diag0_stall</i> 1: Enable DIAG0 active on motor stall (set <i>TCOOLTHRS</i> before using this feature) |
| | | | | 8 <i>diag1_stall</i> 1: Enable DIAG1 active on motor stall (set <i>TCOOLTHRS</i> before using this feature) |
| | | | | 9 <i>diag1_index</i> 1: Enable DIAG1 active on index position (microstep look up table position 0) |
| | | | | 10 <i>diag1_onstate</i> 1: Enable DIAG1 active when chopper is on (for the coil which is in the second half of the fullstep) |
| | | | | 11 <i>diag1_steps_skipped</i> 1: Enable output toggle when steps are skipped in DcStep mode (increment of <i>LOST_STEPS</i>). Do not enable in conjunction with other DIAG1 options. |
| | | | | 12 <i>diag0_int_pushpull</i> 0: DIAG0 is open collector output (active low) 1: Enable DIAG0 push pull output (active high) |
| | | | | 13 <i>diag1_pushpull</i> 0: DIAG1 is open collector output (active low) 1: Enable DIAG1 push pull output (active high) |
| | | | | 14 <i>small_hysteresis</i> 0: Hysteresis for step frequency comparison is 1/16 1: Hysteresis for step frequency comparison is 1/32 |

| GENERAL CONFIGURATION REGISTERS (0x00...0x0F) | | | | |
|---|------|---|--------------|---|
| R/W | Addr | n | Register | Description / bit names |
| | | | | 15 <i>stop_enable</i> 0: Normal operation 1: Emergency stop: DCIN stops the sequencer when tied high (no steps become executed by the sequencer, motor goes to standstill state). |
| | | | | 16 <i>direct_mode</i> 0: Normal operation 1: Motor coil currents and polarity directly programmed via serial interface: Register <i>XDIRECT</i> (0x2D) specifies signed coil A current (bits 8..0) and coil B current (bits 24..16). In this mode, the current is scaled by <i>IHOLD</i> setting. Velocity based current regulation of StealthChop is not available in this mode. The automatic StealthChop current regulation will work only for low stepper motor velocities. |
| | | | | 17 <i>test_mode</i> 0: Normal operation 1: Enable analog test output on pin DCO. <i>IHOLD</i> [1..0] selects the function of DCO: 0..2: T120, DAC, VDDH <i>Attention: Not for user, set to 0 for normal operation!</i> |
| | | | | Bit GSTAT – Global status flags |
| | | | | 0 <i>reset</i> 1: Indicates that the IC has been reset since the last read access to <i>GSTAT</i> . All registers have been cleared to reset values. |
| R+C | 0x01 | 3 | <i>GSTAT</i> | 1 <i>drv_err</i> 1: Indicates, that the driver has been shut down due to overtemperature or short circuit detection since the last read access. Read <i>DRV_STATUS</i> for details. The flag can only be reset when all error conditions are cleared. |
| | | | | 2 <i>uv_cp</i> 1: Indicates an undervoltage on the charge pump. The driver is disabled in this case. |
| | | | | Bit INPUT |
| | | | | Reads the state of all input pins available |
| | | | | 0 STEP |
| | | | | 1 DIR |
| | | | | 2 DCEN_CFG4 |
| | | | | 3 DCIN_CFG5 |
| | | | | 4 DRV_ENN_CFG6 |
| | | | | 5 DCO |
| | | | | 6 This bit always shows 1. |
| | | | | 7 Don't care. |
| | | | | 31.. <i>VERSION</i> : 0x11=first version of the IC |
| | | | | 24 Identical numbers mean full digital compatibility. |

5.2 Velocity Dependent Driver Feature Control Register Set

| VELOCITY DEPENDENT DRIVER FEATURE CONTROL REGISTER SET (0x10...0x1F) | | | | | |
|--|------|-----------------------|------------|---|--|
| R/W | Addr | n | Register | Description / bit names | |
| W | 0x10 | 5 + 5 + 4 | IHOLD_IRUN | Bit | IHOLD_IRUN – Driver current control |
| | | | | 4..0 | IHOLD Standstill current (0=1/32...31=32/32) In combination with StealthChop mode, setting <i>IHOLD</i> =0 allows to choose freewheeling or coil short circuit for motor stand still. |
| | | | | 12..8 | IRUN Motor run current (0=1/32...31=32/32) <i>Hint:</i> Choose sense resistors in a way, that normal <i>IRUN</i> is 16 to 31 for best microstep performance. |
| | | | | 19..16 | IHOLDDELAY Controls the number of clock cycles for motor power down after a motion as soon as standstill is detected (<i>stst</i> =1) and <i>TPOWERDOWN</i> has expired. The smooth transition avoids a motor jerk upon power down. 0: instant power down 1..15: Delay per current reduction step in multiple of 2 ¹⁸ clocks |
| W | 0x11 | 8 | TPOWERDOWN | <p><i>TPOWERDOWN</i> sets the delay time after stand still (<i>stst</i>) of the motor to motor current power down. Time range is about 0 to 4 seconds.</p> <p>0: no delay, 1: minimum delay, 2..255: (<i>TPOWERDOWN</i>-1) * 2¹⁸ <i>t_{CLK}</i></p> | |
| R | 0x12 | 20 | TSTEP | <p>Actual measured time between two 1/256 microsteps derived from the step input frequency in units of 1/fCLK. Measured value is (2²⁰)-1 in case of overflow or stand still.</p> <p>All TSTEP related thresholds use a hysteresis of 1/16 of the compare value to compensate for jitter in the clock or the step frequency. The flag <i>small_hysteresis</i> modifies the hysteresis to a smaller value of 1/32. (<i>Txxx</i>*15/16)-1 or (<i>Txxx</i>*31/32)-1 is used as a second compare value for each comparison value.</p> <p>This means, that the lower switching velocity equals the calculated setting, but the upper switching velocity is higher as defined by the hysteresis setting.</p> <p>In DcStep mode <i>TSTEP</i> will not show the mean velocity of the motor, but the velocities for each microstep, which may not be stable and thus does not represent the real motor velocity in case it runs slower than the target velocity.</p> | |
| W | 0x13 | 20 | TPWMTHRS | <p>This is the upper velocity for StealthChop voltage PWM mode.</p> <p><i>TSTEP</i> ≥ <i>TPWMTHRS</i></p> <ul style="list-style-type: none"> - StealthChop PWM mode is enabled, if configured - DcStep is disabled | |

| VELOCITY DEPENDENT DRIVER FEATURE CONTROL REGISTER SET (0x10...0x1F) | | | | |
|--|------|----|-----------|---|
| R/W | Addr | n | Register | Description / bit names |
| W | 0x14 | 20 | TCOOLTHRS | <p>This is the lower threshold velocity for switching on smart energy CoolStep and StallGuard feature. (unsigned)</p> <p>Set this parameter to disable CoolStep at low speeds, where it cannot work reliably. The stall detection and StallGuard output signal becomes enabled when exceeding this velocity. In non-DcStep mode, it becomes disabled again once the velocity falls below this threshold.</p> <p>$TCOOLTHRS \geq TSTEP \geq THIGH$:</p> <ul style="list-style-type: none"> - CoolStep is enabled, if configured - StealthChop voltage PWM mode is disabled <p>$TCOOLTHRS \geq TSTEP$</p> <ul style="list-style-type: none"> - StallGuard status output signal is enabled, if configured |
| W | 0x15 | 20 | THIGH | <p>This velocity setting allows velocity dependent switching into a different chopper mode and fullstepping to maximize torque. (unsigned)</p> <p>The stall detection feature becomes switched off for 2-3 electrical periods whenever passing <i>THIGH</i> threshold to compensate for the effect of switching modes.</p> <p>$TSTEP \leq THIGH$:</p> <ul style="list-style-type: none"> - CoolStep is disabled (motor runs with normal current scale) - StealthChop voltage PWM mode is disabled - If <i>vhighchm</i> is set, the chopper switches to <i>chm=1</i> with <i>TFD=0</i> (constant off time with slow decay, only). - chopSync2 is switched off (<i>SYNC=0</i>) - If <i>vhighfs</i> is set, the motor operates in fullstep mode and the stall detection becomes switched over to DcStep stall detection. |

Microstep velocity time reference t for velocities: $TSTEP = f_{CLK} / f_{STEP256}$. $TSTEP$ is related to 1/256 microstep resolution independent of actual resolution set by *MRES*.

5.3 SPI Mode Register

This register cannot be used in STEP/DIR mode.

| SPI MODE REGISTER (0x2D) | | | | | |
|--------------------------|------|----|----------------|--|------------------------|
| R/W | Addr | n | Register | Description / bit names | Range [Unit] |
| RW | 0x2D | 32 | <i>XDIRECT</i> | <p><i>direct_mode</i></p> <p>0: Normal operation 1: Directly SPI driven motor current</p> <p>Direct mode operation: <i>XDIRECT</i> specifies Motor coil currents and polarity directly programmed via the serial interface. Use signed, two's complement numbers.</p> <p>Coil A current (bits 8..0) (signed) Coil B current (bits 24..16) (signed) Range: +-248 for normal operation, up to +-255 with StealthChop</p> <p>In this mode, the current is scaled by <i>IHOLD</i> setting. Velocity based current regulation of voltage PWM is not available in this mode. The automatic voltage PWM current regulation will work only for low stepper motor velocities. DcStep is not available in this mode. CoolStep and StallGuard only can be used, when additionally supplying a STEP signal. This will also enable automatic current scaling.</p> | ±255 for both coils |

5.4 DcStep Minimum Velocity Register

| DCSTEP MINIMUM VELOCITY REGISTER (0x33) | | | | | |
|---|------|----|---------------|--|--|
| R/W | Addr | n | Register | Description / bit names | |
| W | 0x33 | 23 | <i>VDCMIN</i> | <p>The automatic commutation DcStep becomes enabled by the external signal DCEN. <i>VDCMIN</i> is used as the minimum step velocity when the motor is heavily loaded.</p> <p><i>Hint:</i> Also set <i>DCCTRL</i> parameters to operate DcStep.</p> | |

time reference t for VDCMIN: $t = 2^{24} / f_{CLK}$

5.5 Motor Driver Registers

| MICROSTEPPING CONTROL REGISTER SET (0x60...0x6B) | | | | | |
|--|---------------------|--------------|---|--|---|
| R/W | Addr | n | Register | Description / bit names | Range [Unit] |
| W | 0x60 | 32 | <i>MSLUT[0]</i> microstep table entries 0...31 | Each bit gives the difference between entry x and entry x+1 when combined with the corresponding <i>MSLUTSEL</i> <i>W</i> bits: 0: <i>W</i> = %00: -1 %01: +0 %10: +1 %11: +2 1: <i>W</i> = %00: +0 %01: +1 %10: +2 %11: +3 | 32x 0 or 1 <i>reset default= sine wave table</i> |
| W | 0x61 ... 0x67 | 7 x 32 | <i>MSLUT[1...7]</i> microstep table entries 32...255 | This is the differential coding for the first quarter of a wave. Start values for <i>CUR_A</i> and <i>CUR_B</i> are stored for <i>MSCNT</i> position 0 in <i>START_SIN</i> and <i>START_SIN90</i> . <i>ofs31, ofs30, ..., ofs01, ofs00</i> ... <i>ofs255, ofs254, ..., ofs225, ofs224</i> | 7x 32x 0 or 1 <i>reset default= sine wave table</i> |
| W | 0x68 | 32 | <i>MSLUTSEL</i> | This register defines four segments within each quarter <i>MSLUT</i> wave. Four 2-bit entries determine the meaning of a 0 and a 1 bit in the corresponding segment of <i>MSLUT</i> . <i>See separate table!</i> | 0< <i>X1</i> < <i>X2</i> < <i>X3</i> <i>reset default= sine wave table</i> |
| W | 0x69 | 8 + 8 | <i>MSLUTSTART</i> | bit 7... 0: <i>START_SIN</i> bit 23... 16: <i>START_SIN90</i> <i>START_SIN</i> gives the absolute current at microstep table entry 0. <i>START_SIN90</i> gives the absolute current for microstep table entry at positions 256. Start values are transferred to the microstep registers <i>CUR_A</i> and <i>CUR_B</i> , whenever the reference position <i>MSCNT</i> =0 is passed. | <i>START_SIN</i> <i>reset default =0</i> <i>START_SIN 90</i> <i>reset default =247</i> |
| R | 0x6A | 10 | <i>MSCNT</i> | Microstep counter. Indicates actual position in the microstep table for <i>CUR_A</i> . <i>CUR_B</i> uses an offset of 256 (2 phase motor). <i>Hint: Move to a position where MSCNT is zero before re-initializing MSLUTSTART or MSLUT and MSLUTSEL.</i> | 0...1023 |
| R | 0x6B | 9 + 9 | <i>MSCURACT</i> | bit 8... 0: <i>CUR_B</i> (signed): Actual microstep current for motor phase B (sine wave) as read from <i>MSLUT</i> (not scaled by current) bit 24... 16: <i>CUR_A</i> (signed): Actual microstep current for motor phase A (co-sine wave) as read from <i>MSLUT</i> (not scaled by current) | +/-0...255 |

| DRIVER REGISTER SET (0x6C...0x7F) | | | | | |
|-----------------------------------|------|----|-------------------|---|--------------------------|
| R/W | Addr | n | Register | Description / bit names | Range [Unit] |
| RW | 0x6C | 32 | CHOPCONF | chopper and driver configuration <i>See separate table!</i> | |
| W | 0x6D | 25 | COOLCONF | CoolStep smart current control register and StallGuard2 configuration <i>See separate table!</i> | |
| W | 0x6E | 24 | DCCTRL | DcStep (DC) automatic commutation configuration register (enable via pin DCEN or via <i>VDCMIN</i>): bit 9... 0: <i>DC_TIME</i> : Upper PWM on time limit for commutation ($DC_TIME * 1/f_{CLK}$). Set slightly above effective blank time <i>TBL</i> . bit 23... 16: <i>DC_SG</i> : Max. PWM on time for step loss detection using DcStep StallGuard2 in DcStep mode. ($DC_SG * 16/f_{CLK}$) Set slightly higher than $DC_TIME/16$ 0=disable <i>Attention: Using a higher microstep resolution or interpolated operation, DcStep delivers a better StallGuard signal. DC_SG is also available above VHIGH if vhighfs is activated. For best result also set vhighchm.</i> | |
| R | 0x6F | 32 | DRV_STATUS | StallGuard2 value and driver error flags <i>See separate table!</i> | |
| W | 0x70 | 22 | PWMCONF | Voltage PWM mode chopper configuration <i>See separate table!</i> | reset default=0x00050480 |
| R | 0x71 | 8 | PWM_SCALE | Actual PWM amplitude scaler (255=max. Voltage) In voltage mode PWM, this value allows to detect a motor stall. | 0...255 |
| W | 0x72 | 2 | ENCM_CTRL | Encoder mode configuration for a special mode (<i>enc_commutation</i>), not for normal use. Bit 0: <i>inv</i> : Invert encoder inputs Bit 1: <i>maxspeed</i> : Ignore Step input. If set, the hold current <i>IHOLD</i> determines the motor current, unless a step source is activated. The direction in this mode is determined by the <i>shaft</i> bit in <i>GCONF</i> or by the <i>inv</i> bit. | |
| R | 0x73 | 20 | LOST_STEPS | Number of input steps skipped due to higher load in DcStep operation, if step input does not stop when DC_OUT is low. This counter wraps around after 2 ²⁰ steps. Counts up or down depending on direction. Only with SDMODE=1. | |

MICROSTEP TABLE CALCULATION FOR A SINE WAVE EQUIVALENT TO THE POWER ON DEFAULT

$$\text{round} \left(248 * \sin \left(2 * PI * \frac{i}{1024} + \frac{PI}{1024} \right) \right) - 1$$

- i : [0... 255] is the table index
- The amplitude of the wave is 248. The resulting maximum positive value is 247 and the maximum negative value is -248.
- The round function rounds values from 0.5 to 1.4999 to 1

5.5.1 MSLUTSEL – Look up Table Segmentation Definition

| 0x68: MSLUTSEL – LOOK UP TABLE SEGMENTATION DEFINITION | | | |
|--|------|--|---|
| Bit | Name | Function | Comment |
| 31 | X3 | LUT segment 3 start | The sine wave look-up table can be divided into up to four segments using an individual step width control entry W_x . The segment borders are selected by X_1 , X_2 and X_3 . Segment 0 goes from 0 to X_1-1 . Segment 1 goes from X_1 to X_2-1 . Segment 2 goes from X_2 to X_3-1 . Segment 3 goes from X_3 to 255. |
| 30 | | | |
| 29 | | | |
| 28 | | | |
| 27 | | | |
| 26 | | | |
| 25 | | | |
| 24 | | | |
| 23 | X2 | LUT segment 2 start | For defined response the values shall satisfy: $0 < X_1 < X_2 < X_3$ |
| 22 | | | |
| 21 | | | |
| 20 | | | |
| 19 | | | |
| 18 | | | |
| 17 | | | |
| 16 | | | |
| 15 | X1 | LUT segment 1 start | |
| 14 | | | |
| 13 | | | |
| 12 | | | |
| 11 | | | |
| 10 | | | |
| 9 | | | |
| 8 | | | |
| 7 | W3 | LUT width select from $ofs(X_3)$ to $ofs(255)$ | Width control bit coding $W_0...W_3$: %00: MSLUT entry 0, 1 select: -1, +0 %01: MSLUT entry 0, 1 select: +0, +1 %10: MSLUT entry 0, 1 select: +1, +2 %11: MSLUT entry 0, 1 select: +2, +3 |
| 6 | W2 | LUT width select from $ofs(X_2)$ to $ofs(X_3-1)$ | |
| 5 | W2 | LUT width select from $ofs(X_2)$ to $ofs(X_3-1)$ | |
| 4 | W2 | LUT width select from $ofs(X_2)$ to $ofs(X_3-1)$ | |
| 3 | W1 | LUT width select from $ofs(X_1)$ to $ofs(X_2-1)$ | |
| 2 | W1 | LUT width select from $ofs(X_1)$ to $ofs(X_2-1)$ | |
| 1 | W0 | LUT width select from $ofs(0)$ to $ofs(X_1-1)$ | |
| 0 | W0 | LUT width select from $ofs(0)$ to $ofs(X_1-1)$ | |

5.5.2 CHOPCONF – Chopper Configuration

| 0x6C: CHOPCONF – CHOPPER CONFIGURATION | | | |
|--|-----------------|--|---|
| Bit | Name | Function | Comment |
| 31 | - | - | Reserved, set to 0 |
| 30 | <i>diss2g</i> | short to GND protection disable | 0: Short to GND protection is on 1: Short to GND protection is disabled |
| 29 | <i>dedge</i> | enable double edge step pulses | 1: Enable step impulse at each step edge to reduce step frequency requirement. |
| 28 | <i>intpol</i> | interpolation to 256 microsteps | 1: The actual microstep resolution (<i>MRES</i>) becomes extrapolated to 256 microsteps for smoothest motor operation. |
| 27 | <i>mres3</i> | <i>MRES</i> micro step resolution | %0000: Native 256 microstep setting. |
| 26 | <i>mres2</i> | | |
| 25 | <i>mres1</i> | | |
| 24 | <i>mres0</i> | | |
| 23 | <i>sync3</i> | <i>SYNC</i> PWM synchronization clock | This register allows synchronization of the chopper for both phases of a two-phase motor to avoid the occurrence of a beat, especially at low motor velocities. It is automatically switched off above <i>VHIGH</i> . %0000: Chopper sync function chopSync off %0001 ... %1111: Synchronization with $f_{\text{SYNC}} = f_{\text{CLK}}/(\text{sync} \cdot 64)$ <i>Hint</i> : Set <i>TOFF</i> to a low value, so that the chopper cycle is ended before the next sync clock pulse occurs. Set for the double desired chopper frequency for <i>chm</i> =0, for the desired base chopper frequency for <i>chm</i> =1. |
| 22 | <i>sync2</i> | | |
| 21 | <i>sync1</i> | | |
| 20 | <i>sync0</i> | | |
| 19 | <i>vhighchm</i> | high velocity chopper mode | This bit enables switching to <i>chm</i> =1 and <i>fd</i> =0, when <i>VHIGH</i> is exceeded. This way, a higher velocity can be achieved. Can be combined with <i>vhighfs</i> =1. If set, the <i>TOFF</i> setting automatically becomes doubled during high velocity operation in order to avoid doubling of the chopper frequency. |
| 18 | <i>vhighfs</i> | high velocity fullstep selection | This bit enables switching to fullstep, when <i>VHIGH</i> is exceeded. Switching takes place only at 45° position. The fullstep target current uses the current value from the microstep table at the 45° position. |
| 17 | <i>vsense</i> | sense resistor voltage based current scaling | 0: Low sensitivity, high sense resistor voltage 1: High sensitivity, low sense resistor voltage |
| 16 | <i>tbl1</i> | <i>TBL</i> blank time select | %00 ... %11: Set comparator blank time to 16, 24, 36 or 54 clocks <i>Hint</i> : %01 or %10 is recommended for most applications |
| 15 | <i>tbl0</i> | | |
| 14 | <i>chm</i> | chopper mode | 0 Standard mode (SpreadCycle) 1 Constant off time with fast decay time. Fast decay time is also terminated when the negative nominal current is reached. Fast decay is after on time. |

| 0x6C: <i>CHOPCONF</i> – CHOPPER CONFIGURATION | | | | |
|---|----------------|--|--|---|
| Bit | Name | Function | Comment | |
| 13 | <i>rndtf</i> | random <i>TOFF</i> time | 0 | Chopper off time is fixed as set by <i>TOFF</i> |
| | | | 1 | Random mode, <i>TOFF</i> is random modulated by $dN_{CLK} = -24 \dots +6$ clocks. |
| 12 | <i>disfdcc</i> | fast decay mode | <i>chm</i> =1: <i>disfdcc</i> =1 disables current comparator usage for termination of the fast decay cycle | |
| 11 | <i>fd3</i> | <i>TFD</i> [3] | <i>chm</i> =1: MSB of fast decay time setting <i>TFD</i> | |
| 10 | <i>hend3</i> | <i>HEND</i> | <i>chm</i> =0 %0000 ... %1111: Hysteresis is -3, -2, -1, 0, 1, ..., 12 (1/512 of this setting adds to current setting) This is the hysteresis value which becomes used for the hysteresis chopper. | |
| 9 | <i>hend2</i> | hysteresis low value | | |
| 8 | <i>hend1</i> | <i>OFFSET</i> | | |
| 7 | <i>hend0</i> | sine wave offset | | |
| | | | <i>chm</i> =1 %0000 ... %1111: Offset is -3, -2, -1, 0, 1, ..., 12 This is the sine wave offset and 1/512 of the value becomes added to the absolute value of each sine wave entry. | |
| 6 | <i>hstrt2</i> | <i>HSTRT</i> | <i>chm</i> =0 %000 ... %111: Add 1, 2, ..., 8 to hysteresis low value <i>HEND</i> (1/512 of this setting adds to current setting) <i>Attention: Effective HEND+HSTRT ≤ 16.</i> <i>Hint: Hysteresis decrement is done each 16 clocks</i> | |
| 5 | <i>hstrt1</i> | hysteresis start value | | |
| 4 | <i>hstrt0</i> | added to <i>HEND</i> | | |
| | | <i>TFD</i> [2..0] fast decay time setting | <i>chm</i> =1 Fast decay time setting (MSB: <i>fd3</i>): %0000 ... %1111: Fast decay time setting <i>TFD</i> with $N_{CLK} = 32 * TFD$ (%0000: slow decay only) | |
| 3 | <i>toff3</i> | <i>TOFF</i> off time and driver enable | Off time setting controls duration of slow decay phase $N_{CLK} = 24 + 32 * TOFF$ %0000: Driver disable, all bridges off %0001: 1 – use only with $TBL ≥ 2$ %0010 ... %1111: 2 ... 15 | |
| 2 | <i>toff2</i> | | | |
| 1 | <i>toff1</i> | | | |
| 0 | <i>toff0</i> | | | |

5.5.3 COOLCONF – Smart Energy Control CoolStep and StallGuard2

| 0x6D: COOLCONF – SMART ENERGY CONTROL COOLSTEP AND STALLGUARD2 | | | |
|--|---------------|--|---|
| Bit | Name | Function | Comment |
| ... | - | reserved | set to 0 |
| 24 | <i>sfilt</i> | StallGuard2 filter enable | 0 Standard mode, high time resolution for StallGuard2 |
| | | | 1 Filtered mode, StallGuard2 signal updated for each four fullsteps (resp. six fullsteps for 3 phase motor) only to compensate for motor pole tolerances |
| 23 | - | reserved | set to 0 |
| 22 | <i>sgt6</i> | StallGuard2 threshold value | This signed value controls StallGuard2 level for stall output and sets the optimum measurement range for readout. A lower value gives a higher sensitivity. Zero is the starting value working with most motors. -64 to +63: A higher value makes StallGuard2 less sensitive and requires more torque to indicate a stall. |
| 21 | <i>sgt5</i> | | |
| 20 | <i>sgt4</i> | | |
| 19 | <i>sgt3</i> | | |
| 18 | <i>sgt2</i> | | |
| 17 | <i>sgt1</i> | | |
| 16 | <i>sgt0</i> | | |
| 15 | <i>seimin</i> | minimum current for smart current control | 0: 1/2 of current setting (<i>IRUN</i>) 1: 1/4 of current setting (<i>IRUN</i>) |
| 14 | <i>sedn1</i> | current down step speed | %00: For each 32 StallGuard2 values decrease by one %01: For each 8 StallGuard2 values decrease by one %10: For each 2 StallGuard2 values decrease by one %11: For each StallGuard2 value decrease by one |
| 13 | <i>sedn0</i> | | |
| 12 | - | reserved | set to 0 |
| 11 | <i>semax3</i> | StallGuard2 hysteresis value for smart current control | If the StallGuard2 result is equal to or above (<i>SEMIN+SEMAX+1</i>)*32, the motor current becomes decreased to save energy. %0000 ... %1111: 0 ... 15 |
| 10 | <i>semax2</i> | | |
| 9 | <i>semax1</i> | | |
| 8 | <i>semax0</i> | | |
| 7 | - | reserved | set to 0 |
| 6 | <i>seup1</i> | current up step width | Current increment steps per measured StallGuard2 value %00 ... %11: 1, 2, 4, 8 |
| 5 | <i>seup0</i> | | |
| 4 | - | reserved | set to 0 |
| 3 | <i>semin3</i> | minimum StallGuard2 value for smart current control and smart current enable | If the StallGuard2 result falls below <i>SEMIN</i> *32, the motor current becomes increased to reduce motor load angle. %0000: smart current control CoolStep off %0001 ... %1111: 1 ... 15 |
| 2 | <i>semin2</i> | | |
| 1 | <i>semin1</i> | | |
| 0 | <i>semin0</i> | | |

5.5.4 PWMCONF – Voltage PWM Mode StealthChop

| 0x70: PWMCONF – VOLTAGE MODE PWM STEALTHCHOP | | | | |
|--|----------------------|---|---|--|
| Bit | Name | Function | Comment | |
| ... | - | reserved | set to 0 | |
| 21 | <i>freewheel1</i> | Allows different standstill modes | Stand still option when motor current setting is zero (<i>I</i> HOLD=0). %00: Normal operation %01: Freewheeling %10: Coil shorted using LS drivers %11: Coil shorted using HS drivers | |
| 20 | <i>freewheel0</i> | | | |
| 19 | <i>pwm_symmetric</i> | Force symmetric PWM | 0 | The PWM value may change within each PWM cycle (standard mode) |
| | | | 1 | A symmetric PWM cycle is enforced |
| 18 | <i>pwm_autoscale</i> | PWM automatic amplitude scaling | 0 | User defined PWM amplitude. The current settings have no influence. |
| | | | 1 | Enable automatic current control <i>Attention: When using a user defined sine wave table, the amplitude of this sine wave table should not be less than 244. Best results are obtained with 247 to 252 as peak values.</i> |
| 17 | <i>pwm_freq1</i> | PWM frequency selection | %00: $f_{PWM}=2/1024 f_{CLK}$ %01: $f_{PWM}=2/683 f_{CLK}$ %10: $f_{PWM}=2/512 f_{CLK}$ %11: $f_{PWM}=2/410 f_{CLK}$ | |
| 16 | <i>pwm_freq0</i> | | | |
| 15 | <i>PWM_GRAD</i> | User defined amplitude (gradient) or regulation loop gradient | pwm_autoscale=0 | Velocity dependent gradient for PWM amplitude: $PWM_GRAD * 256 / TSTEP$ is added to <i>PWM_AMPL</i> |
| 14 | | | | |
| 13 | | | pwm_autoscale=1 | User defined maximum PWM amplitude change per half wave (1 to 15) |
| 12 | | | | |
| 11 | | | | |
| 10 | | | | |
| 9 | | | | |
| 8 | | | | |
| 7 | <i>PWM_AMPL</i> | User defined amplitude (offset) | pwm_autoscale=0 | User defined PWM amplitude offset (0-255) The resulting amplitude (limited to 0...255) is: $PWM_AMPL + PWM_GRAD * 256 / TSTEP$ |
| 6 | | | | |
| 5 | | | | |
| 4 | | | | |
| 3 | | | pwm_autoscale=1 | User defined maximum PWM amplitude when switching back from current chopper mode to voltage PWM mode (switch over velocity defined by <i>TPWMTHRS</i>). Do not set too low values, as the regulation cannot measure the current when the actual PWM value goes below a setting specific value. Settings above 0x40 recommended. |
| 2 | | | | |
| 1 | | | | |
| 0 | | | | |

5.5.5 DRV_STATUS – StallGuard2 Value and Driver Error Flags

| 0x6F: DRV_STATUS – STALLGUARD2 VALUE AND DRIVER ERROR FLAGS | | | |
|---|-------------------|--|---|
| Bit | Name | Function | Comment |
| 31 | <i>stst</i> | standstill indicator | This flag indicates motor stand still in each operation mode. This occurs 2 ²⁰ clocks after the last step pulse. |
| 30 | <i>olb</i> | open load indicator phase B | 1: Open load detected on phase A or B. <i>Hint:</i> This is just an informative flag. The driver takes no action upon it. False detection may occur in fast motion and standstill. Check during slow motion, only. |
| 29 | <i>ola</i> | open load indicator phase A | |
| 28 | <i>s2gb</i> | short to ground indicator phase B | 1: Short to GND detected on phase A or B. The driver becomes disabled. The flags stay active, until the driver is disabled by software (TOFF=0) or by the ENN input. |
| 27 | <i>s2ga</i> | short to ground indicator phase A | |
| 26 | <i>otpw</i> | overtemperature pre-warning flag | 1: Overtemperature pre-warning threshold is exceeded. The overtemperature pre-warning flag is common for both bridges. |
| 25 | <i>ot</i> | overtemperature flag | 1: Overtemperature limit has been reached. Drivers become disabled until <i>otpw</i> is also cleared due to cooling down of the IC. The overtemperature flag is common for both bridges. |
| 24 | <i>StallGuard</i> | StallGuard2 status | 1: Motor stall detected (<i>SG_RESULT</i> =0) or DcStep stall in DcStep mode. |
| 23 | - | reserved | Ignore these bits |
| 22 | | | |
| 21 | | | |
| 20 | <i>CS ACTUAL</i> | actual motor current / smart energy current | |
| 19 | | | Actual current control scaling, for monitoring smart energy current scaling controlled via settings in register <i>COOLCONF</i> , or for monitoring the function of the automatic current scaling. |
| 18 | | | |
| 17 | | | |
| 16 | | | |
| 15 | <i>fsactive</i> | full step active indicator | 1: Indicates that the driver has switched to fullstep as defined by chopper mode settings and velocity thresholds. |
| 14 | - | reserved | Ignore these bits |
| 13 | | | |
| 12 | | | |
| 11 | | | |
| 10 | | | |
| 9 | <i>SG_RESULT</i> | StallGuard2 result respectively PWM on time for coil A in standstill for motor temperature detection | <p>Mechanical load measurement: The StallGuard2 result gives a means to measure mechanical motor load. A higher value means lower mechanical load. A value of 0 signals highest load. With optimum <i>SGT</i> setting, this is an indicator for a motor stall. The stall detection compares <i>SG_RESULT</i> to 0 to detect a stall. <i>SG_RESULT</i> is used as a base for CoolStep operation, by comparing it to a programmable upper and a lower limit. It is not applicable in StealthChop mode.</p> <p><i>SG_RESULT</i> is ALSO applicable when DcStep is active. StallGuard2 works best with microstep operation.</p> <p>Temperature measurement: In standstill, no StallGuard2 result can be obtained. <i>SG_RESULT</i> shows the chopper on-time for motor coil A instead. If the motor is moved to a determined microstep position at a certain current setting, a comparison of the chopper on-time can help to get a rough estimation of motor temperature. As the motor heats up, its coil resistance rises, and the chopper on-time increases.</p> |
| 8 | | | |
| 7 | | | |
| 6 | | | |
| 5 | | | |
| 4 | | | |
| 3 | | | |
| 2 | | | |
| 1 | | | |
| 0 | | | |

6 StealthChop™



StealthChop is an extremely quiet mode of operation for stepper motors. It is based on a voltage mode PWM. In case of standstill and at low velocities, the motor is noiseless. Thus, StealthChop operated stepper motor applications are very suitable for indoor or home use. The motor operates free of vibration at low velocities. With StealthChop, the motor current is applied by driving a certain effective voltage into the coil, using a voltage mode PWM. There are no more configurations required except for the PWM voltage regulator response to a change of motor current. Two algorithms are provided, a manual and an automatic mode.

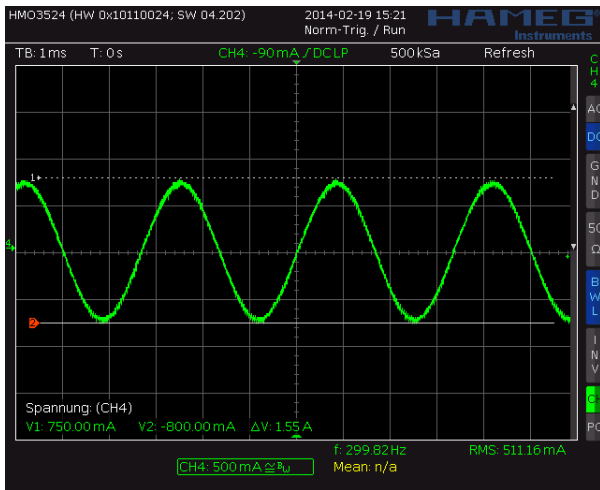


Figure 6.1 Motor coil sine wave current with StealthChop (measured with current probe)

6.1 Two Modes for Current Regulation

In order to match the motor current to a certain level, the StealthChop PWM voltage must be scaled depending on the actual motor velocity. Several additional factors influence the required voltage level to drive the motor at the target current: The motor resistance, its back EMF (directly proportional to its velocity) as well as actual level of the supply voltage. For the ease of use, two modes of PWM regulation are provided: An automatic mode using current feedback (*pwm_autoscale* = 1) and a feed forward velocity-controlled mode (*pwm_autoscale* = 0). The feed forward velocity-controlled mode will not react to a change of the supply voltage or to events like a motor stall, but it provides very stable amplitude. It does not use nor require any means of current measurement. This is perfect when motor type and supply voltage are well known. Since this mode does not measure the actual current, it will not respond to modification of the current setting, like stand still current reduction. Therefore, we recommend the automatic mode, unless current regulation is not satisfying in the given operating conditions.

The PWM frequency can be chosen in a range in four steps to adapt the frequency divider to the frequency of the clock source. A setting in the range of 30-50kHz is good for many applications. It balances low current ripple and good higher velocity performance vs. dynamic power dissipation.

| CHOICE OF PWM FREQUENCY FOR STEALTHCHOP | | | | |
|---|--|---|---|---|
| Clock frequency f_{CLK} | PWM_FREQ=%00 $f_{PWM}=2/1024 f_{CLK}$ | PWM_FREQ=%01 $f_{PWM}=2/683 f_{CLK}$ | PWM_FREQ=%10 $f_{PWM}=2/512 f_{CLK}$ | PWM_FREQ=%11 $f_{PWM}=2/410 f_{CLK}$ |
| 18MHz | 35.2kHz | 52.7kHz | 70.3kHz | 87.8kHz |
| 16MHz | 31.3kHz | 46.9kHz | 62.5kHz | 78.0kHz |
| (internal) | ~26kHz | ~38kHz | ~52kHz | ~64kHz |
| 12MHz | 23.4kHz | 35.1kHz | 46.9kHz | 58.5kHz |
| 10MHz | 19.5kHz | 29.3kHz | 39.1kHz | 48.8kHz |
| 8MHz | 15.6kHz | 23.4kHz | 31.2kHz | 39.0kHz |

Table 6.1 Choice of PWM frequency – green: recommended

6.2 Automatic Scaling

In StealthChop voltage PWM mode, the autoscaling function ($pwm_autoscale = 1$) regulates the motor current to the desired current setting. The driver measures the motor current during the chopper on time and uses a proportional regulator to regulate the PWM_SCALE in order match the motor current to the target current. PWM_GRAD is the proportionality coefficient for this regulator. Basically, the proportionality coefficient should be as small as possible to get a stable and soft regulation behavior, but it must be large enough to allow the driver to quickly react to changes caused by variation of the motor target current, the motor velocity or effects resulting from changes of the supply voltage. As the supply voltage level and motor temperature normally change only slowly, a minimum setting of the regulation gradient often is sufficient ($PWM_GRAD=1$). If StealthChop operation is desired for a higher velocity range, variations of the motor back EMF caused by motor acceleration and deceleration may require a quicker regulation. Therefore, PWM_GRAD setting should be optimized for the fastest required acceleration and deceleration ramp (see Figure 6.4). The quality of a given setting can be examined when monitoring PWM_SCALE and motor velocity. Just as in the acceleration phase, during a deceleration phase the voltage PWM amplitude must be adapted to keep the motor coil current constant. When the upper acceleration and the upper deceleration used in the application are identical, the value determined for the acceleration phase will already be optimum for both.

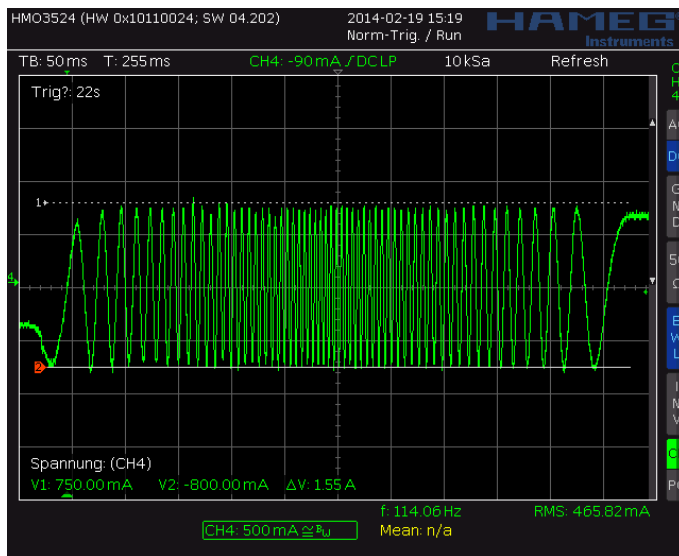


Figure 6.2 Scope shot: good setting for PWM_GRAD

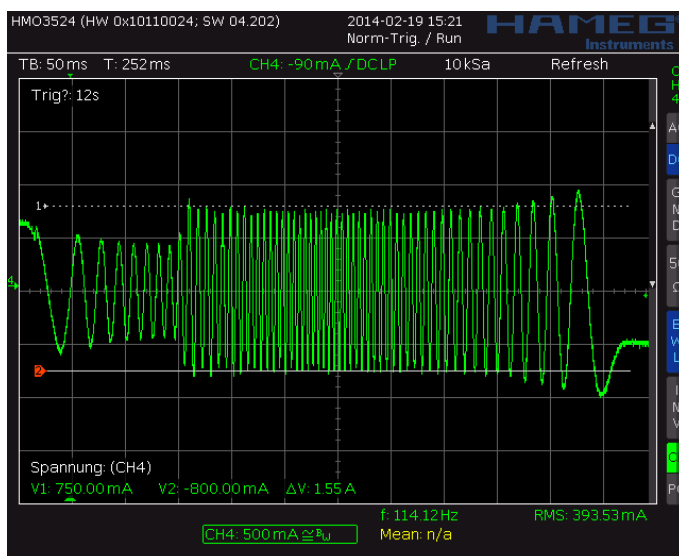


Figure 6.3 Scope shot: too small setting for PWM_GRAD

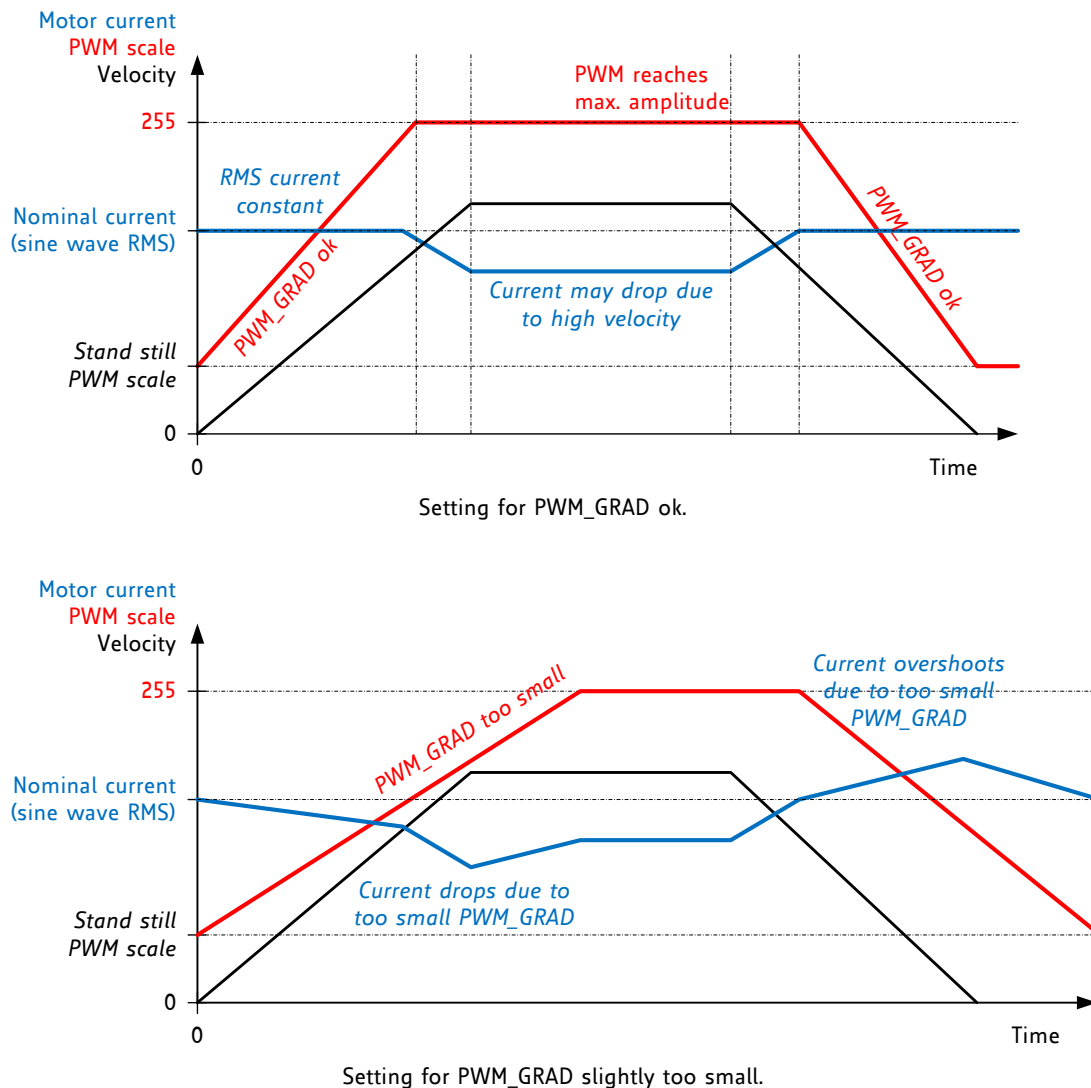


Figure 6.4 Good and too small setting for PWM_GRAD

Be sure to use a symmetrical sense resistor layout and sense resistor traces of identical length and well matching sense resistors for best performance.

Quick Start

For a quick start, see the Quick Configuration Guide in chapter 22.

6.2.1 Lower Current Limit

The StealthChop current regulator imposes a lower limit for motor current regulation. As the coil current can be measured in the shunt resistor during chopper on phase only, a minimum chopper duty cycle allowing coil current regulation is given by the blank time as set by *TBL* and by the chopper frequency setting. Therefore, the motor specific minimum coil current in StealthChop autoscaling mode rises with the supply voltage and with the chopper frequency. A lower blanking time allows a lower current limit. Extremely low currents (e.g., for standstill power down) can be realized with the non-automatic current scaling or with the freewheeling option, only. The run current setting needs to be kept above the lower limit: In case the *PWM_SCALE* drops to a too low value, e.g., because the current scale was too low, the regulator may not be able to recover. The regulator will recover once the motor is in standstill. The freewheeling option allows going to zero motor current.

The lower motor coil current limit can be calculated from motor parameters and chopper settings:

$$I_{Lower\ Limit} = t_{BLANK} * f_{PWM} * \frac{V_M}{R_{COIL}}$$

With V_M the motor supply voltage and R_{COIL} the motor coil resistance.

$I_{Lower\ Limit}$ can be treated as a thumb value for the minimum possible motor current setting.

EXAMPLE:

A motor has a coil resistance of 5Ω , the supply voltage is 24V. With $TBL=01$ and $PWM_FREQ=00$, t_{BLANK} is 24 clock cycles, f_{PWM} is $2/(1024 \text{ clock cycles})$:

$$I_{Lower\ Limit} = 24 t_{CLK} * \frac{2}{1024 t_{CLK}} * \frac{24V}{5\Omega} = \frac{24}{512} * \frac{24V}{5\Omega} = 225mA$$

This means, the motor target current must be 225mA or more, considering all relevant settings. This lower current limit also applies for modification of the motor current via the analog input VREF.

Attention

For *pwm_autoscale* mode, a lower coil current limit applies. This limit can be calculated or measured using a current probe. Keep the motor run-current setting *IRUN* well above this lower current limit.

6.2.2 Acceleration

In automatic current regulation mode (*pwm_autoscale* = 1), the *PWM_GRAD* setting should be optimized for the fastest required acceleration ramp. Use a current probe and check the motor current during (quick) acceleration. A setting of 1 may result in a too slow regulation, while a setting of 15 responds quickly to velocity changes but might produce regulation instabilities in some constellations. A setting of 4 is a good starting value.

Hint

Operate the motor within your application when exploring StealthChop. Motor performance often is better with a mechanical load, because it prevents the motor from stalling due mechanical oscillations which can occur without load.

6.3 Velocity Based Scaling

Velocity based scaling scales the StealthChop amplitude based on the time between each two steps (*TSTEP*) measured in clock cycles. This concept basically does not require a current measurement, because no regulation loop is necessary. The idea is a linear approximation of the voltage required to drive the target current into the motor. The stepper motor has a certain coil resistance and thus needs a certain voltage amplitude to yield a target current based on the basic formula $I=U/R$. With R being the coil resistance, U the supply voltage scaled by the PWM value, the current I results. The initial value for *PWM_AMPL* can be calculated:

$$PWM_AMPL = \frac{374 * R_{COIL} * I_{COIL}}{V_M}$$

With V_M the motor supply voltage and I_{COIL} the target RMS current

The effective PWM voltage U_{PWM} ($1/\sqrt{2}$ x peak value) results considering the 8 bit resolution and 248 sine wave peak for the actual PWM amplitude shown as *PWM_SCALE*:

$$U_{PWM} = V_M * \frac{PWM_SCALE}{256} * \frac{248}{256} * \frac{1}{\sqrt{2}} = V_M * \frac{PWM_SCALE}{374}$$

With rising motor velocity, the motor generates an increasing back EMF voltage. The back EMF voltage is proportional to the motor velocity. It reduces the PWM voltage effective at the coil resistance and thus current decreases. The TMC2130 provides a second velocity dependent factor (PWM_GRAD) to compensate for this. The overall effective PWM amplitude (PWM_SCALE) in this mode automatically is calculated in dependence of the microstep frequency as:

$$PWM_SCALE = PWM_AMPL + PWM_GRAD * 256 * \frac{f_{STEP}}{f_{CLK}}$$

With f_{STEP} being the microstep frequency for 256 microstep resolution equivalent and f_{CLK} the clock frequency supplied to the driver or the actual internal frequency

As a first approximation, the back EMF subtracts from the supply voltage and thus the effective current amplitude decreases. This way, a first approximation for PWM_GRAD setting can be calculated:

$$PWM_GRAD = C_{BEMF} \left[\frac{V}{\frac{rad}{s}} \right] * 2\pi * \frac{f_{CLK} * 1.46}{V_M * MSPR}$$

C_{BEMF} is the back EMF constant of the motor in Volts per radian/second

$MSPR$ is the number of microsteps per rotation, e.g., 51200 = 256 μ steps multiplied by 200 fullsteps for a 1.8° motor.

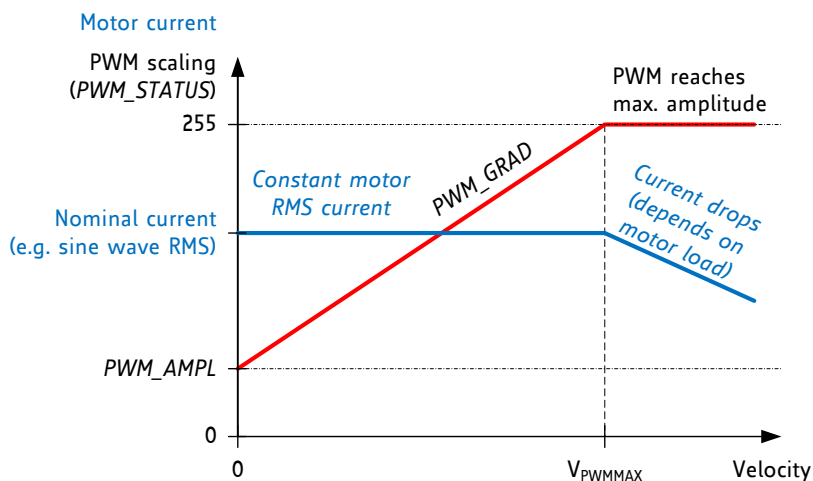


Figure 6.5 Velocity based PWM scaling (pwm_autoscale=0)

Hint

The values for PWM_AMPL and PWM_GRAD can easily be optimized by tracing the motor current with a current probe on the oscilloscope. It is not even necessary to calculate the formulas if you carefully start with a low setting for both.

UNDERSTANDING THE BACK EMF CONSTANT OF A MOTOR

The back EMF constant is the voltage a motor generates when turned with a certain velocity. Often motor datasheets do not specify this value, as it can be deduced from motor torque and coil current rating. Within SI units, the numeric value of the back EMF constant C_{BEMF} has the same numeric value as the numeric value of the torque constant. For example, a motor with a torque constant of 1 Nm/A would have a C_{BEMF} of 1V/rad/s. Turning such a motor with 1 rps (1 rps = 1 revolution per second = 6.28 rad/s) generates a back EMF voltage of 6.28V. Thus, the back EMF constant can be calculated as:

$$C_{BEMF} \left[\frac{V}{rad/s} \right] = \frac{HoldingTorque[Nm]}{2 * I_{COILNOM}[A]}$$

$I_{COILNOM}$ is the motor's rated phase current for the specified holding torque

HoldingTorque is the motor specific holding torque, i.e., the torque reached at $I_{COILNOM}$ on both coils. The torque unit is [Nm] where 1Nm = 100Ncm = 1000mNm.

The voltage is valid as RMS voltage per coil, thus the nominal current is multiplied by 2 in this formula, since the nominal current assumes a full step position, with two coils operating.

6.4 Combining StealthChop and SpreadCycle

For applications requiring high velocity motion, SpreadCycle may bring more stable operation in the upper velocity range. To combine no-noise operation with highest dynamic performance, combine StealthChop and SpreadCycle based on a velocity threshold (*TPWMTHRS*). With this, StealthChop is only active at low velocities.

As a first step, both chopper principles should be parameterized and optimized individually. In a next step, a transfer velocity has to be fixed. For example, StealthChop operation is used for precise low speed positioning, while SpreadCycle shall be used for highly dynamic motion. *TPWMTHRS* determines the transition velocity. Use a low transfer velocity to avoid a jerk at the switching point.

A jerk occurs when switching at higher velocities, because the back-EMF of the motor (which rises with the velocity) causes a phase shift of up to 90° between motor voltage and motor current. So when switching at higher velocities between voltage PWM and current PWM mode, this jerk will occur with increased intensity. A high jerk may even produce a temporary overcurrent condition (depending on the motor coil resistance). At low velocities (1 to a few 10 RPM), it can be completely neglected for most motors. Therefore, consider the switching jerk when choosing *TPWMTHRS*. Set *TPWMTHRS* zero if you want to work with StealthChop only.

When enabling the StealthChop mode the first time using automatic current regulation, the motor must be at stand still to allow a proper current regulation. When the drive switches to a different chopper mode at a higher velocity, StealthChop logic stores the last current regulation setting until the motor returns to a lower velocity again. This way, the regulation has a known starting point when returning to a lower velocity, where StealthChop becomes re-enabled. Therefore, neither the velocity threshold nor the supply voltage must be considerably changed during the phase while the chopper is switched to a different mode, because otherwise the motor might lose steps, or the instantaneous current might be too high or too low.

A motor stall or a sudden change in the motor velocity may lead to the driver detecting a short circuit or to a state of automatic current regulation, from which it cannot recover. Clear the error flags and restart the motor from zero velocity to recover from this situation.

Hint

Start the motor from standstill when switching on StealthChop the first time and keep it stopped for at least 128 chopper periods to allow StealthChop to do initial standstill current control.

6.4.1 PWM_AMPL limits Jerk

When combining StealthChop with SpreadCycle or constant off time classic PWM, a switching velocity can be chosen using *TPWMTHRS*. With this, StealthChop is only active at low velocities. Often, a very low velocity in the range of 1 to a few 10 RPM fits best. In case a high switching velocity is chosen, special care should be taken for switching back to StealthChop during deceleration, because the phase jerk can produce a short time overcurrent.

To avoid a short time overcurrent and to minimize the jerk, the initial amplitude for switching back to StealthChop at sinking velocity can be determined using the setting *PWM_AMPL*. Tune *PWM_AMPL* to a value which gives a smooth and safe transition back to StealthChop within the application. As a thumb rule, ½ to ¾ of the last *PWM_SCALE* value which was valid after the switching event at rising velocity can be used. For high resistive steppers as well as for low transfer velocities (as set by *TPWMTHRS*), set *PWM_AMPL* to 255 as most universal setting.

Hint

In case the automatic scaling regulation is instable at your desired motion velocity, try modifying the chopper frequency divider *PWM_FREQ*. Also adapt the blank time *TBL* and motor current for best result.

6.5 Flags in StealthChop

As StealthChop uses voltage mode driving, status flags based on current measurement respond slower, respectively the driver reacts delayed to sudden changes of back EMF, like on a motor stall.

Attention

A motor stall can lead to an overcurrent condition (*drv_err*). Depending on the previous motor velocity, and on the coil resistance of the motor, it may trigger the overcurrent detection. With low velocities, where the back EMF is just a fraction of the supply voltage, there is no danger of triggering the short detection.

6.5.1 Open Load Flags

In StealthChop mode, status information is different from the cycle-by-cycle regulated chopper modes. OLA and OLB show if the current regulation sees that the nominal current can be reached on both coils.

- A flickering OLA or OLB can result from asymmetries in the sense resistors or in the motor coils.
- An interrupted motor coil leads to a continuously active open load flag for the coil.
- One or both flags are active, if the current regulation did not succeed in scaling up to the full target current within the last few fullsteps (because no motor is attached, or a high velocity exceeds the PWM limit).

If desired, do an on-demand open load test using the SpreadCycle chopper, as it delivers the safest result. With StealthChop, *PWM_SCALE* can be checked to detect the correct coil resistance.

6.5.2 PWM_SCALE Informs about the Motor State

Information about the motor state is available with automatic scaling by reading out *PWM_SCALE*. As this parameter reflects the actual voltage required to drive the target current into the motor, it depends on several factors: motor load, coil resistance, supply voltage, and current setting. Therefore, an evaluation of the *PWM_SCALE* value allows seeing the motor load (similar to StallGuard2) and finding out if the target current can be reached. It even gives an idea on the motor temperature (evaluate at a well-known state of operation).

6.6 Freewheeling and Passive Motor Braking

StealthChop provides different options for motor standstill. These options can be enabled by setting the standstill current *IHOLD* to zero and choosing the desired option using the *FREEWHEEL* setting. The desired option becomes enabled after the time period specified by *TPOWERDOWN* and *IHOLD_DELAY*. The *PWM_SCALE* regulation becomes frozen once the motor target current is at zero current in order to ensure a quick startup.

| Parameter | Description | Setting | Comment |
|-----------------------------|---|-----------------------|---|
| <i>en_pwm_mode</i> | General enable for use of StealthChop (register <i>GCONF</i>) | 0 | Do not use StealthChop |
| | | 1 | StealthChop enabled |
| <i>TPWMTHRS</i> | Specifies the upper velocity for operation in StealthChop voltage PWM mode. Enter the <i>TSTEP</i> reading (time between two 1/256 microsteps) when operating at the desired threshold velocity. | 0 ... 1048575 | StealthChop also is disabled if <i>TSTEP</i> falls below <i>TCOOLTHRS</i> or <i>THIGH</i> |
| <i>pwm_autoscale</i> | Enable automatic current scaling using current measurement or use forward controlled velocity-based mode. | 0 | Forward controlled mode |
| | | 1 | Automatic scaling with current regulator |
| <i>PWM_FREQ</i> | PWM frequency selection. Use the lowest setting giving good results. The frequency measured at each of the chopper outputs is half of the effective chopper frequency f_{PWM} . | 0 | $f_{PWM}=2/1024 f_{CLK}$ |
| | | 1 | $f_{PWM}=2/683 f_{CLK}$ |
| | | 2 | $f_{PWM}=2/512 f_{CLK}$ |
| | | 3 | $f_{PWM}=2/410 f_{CLK}$ |
| <i>PWM_GRAD</i> | User defined PWM amplitude (gradient) for velocity-based scaling or regulation loop gradient when <i>pwm_autoscale</i> =1. | 1 ... 15 | With <i>pwm_autoscale</i> =1 |
| | | 0 ... 255 | With <i>pwm_autoscale</i> =0 |
| <i>PWM_AMPL</i> | User defined PWM amplitude (offset) for velocity-based scaling or amplitude limit for re-entry into StealthChop mode when <i>pwm_autoscale</i> =1. | 0 ... 255 | |
| <i>pwm_symmetric</i> | Activate to force a symmetric PWM for each cycle. Reduces the number of updates to the PWM cycle. Special use only. | 0 | Normal operation |
| | | 1 | A symmetric PWM cycle is enforced |
| <i>FREEWHEEL</i> | Stand still option when motor current setting is zero (<i>IHOLD</i> =0). Only available with StealthChop enabled. The freewheeling option makes the motor easy movable, while both coil short options realize a passive brake. Mode 2 will brake more intensely than mode 3, because low side drivers (LS) have lower resistance than high side drivers. | 0 | Normal operation |
| | | 1 | Freewheeling |
| | | 2 | Coil shorted using LS drivers |
| | | 3 | Coil shorted using HS drivers |
| <i>PWM_SCALE</i> | Read back of the actual StealthChop voltage PWM scaling as determined by the current regulation. Can be used to detect motor load and stall when <i>pwm_autoscale</i> =1. | 0 ... 255 (read only) | The scaling value becomes frozen when operating in a different chopper mode |
| <i>TOFF</i> | General enable for the motor driver, the actual value does not influence StealthChop | 0 | Driver off |
| | | 1 ... 15 | Driver enabled |
| <i>TBL</i> | Comparator <i>blank time</i> . This time needs to safely cover the switching event and the duration of the ringing on the sense resistor. Choose a setting of 1 or 2 for typical applications. For higher capacitive loads, 3 may be required. Lower settings allow StealthChop to regulate down to lower coil current values. | 0 | 16 t_{CLK} |
| | | 1 | 24 t_{CLK} |
| | | 2 | 36 t_{CLK} |
| | | 3 | 54 t_{CLK} |
| <i>IRUN</i> <i>IHOLD</i> | Run and hold current setting for stealth Chop operation – only used with <i>pwm_autoscale</i> =1 | | See chapter on current setting for details |

7 SpreadCycle and Classic Chopper

While StealthChop is a voltage mode PWM controlled chopper, SpreadCycle is a cycle-by-cycle current control. Therefore, it can react extremely fast to changes in motor velocity or motor load. The currents through both motor coils are controlled using choppers. The choppers work independently of each other. In Figure 7.1 the different chopper phases are shown.

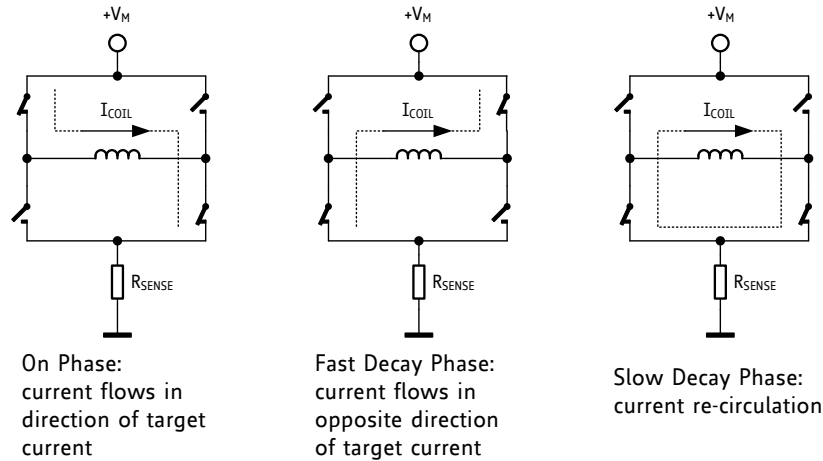


Figure 7.1 Chopper phases

Although the current could be regulated using only on phases and fast decay phases, insertion of the slow decay phase is important to reduce electrical losses and current ripple in the motor. The duration of the slow decay phase is specified in a control parameter and sets an upper limit on the chopper frequency. The current comparator can measure coil current during phases when the current flows through the sense resistor, but not during the slow decay phase, so the slow decay phase is terminated by a timer. The on phase is terminated by the comparator when the current through the coil reaches the target current. The fast decay phase may be terminated by either the comparator or another timer.

When the coil current is switched, spikes at the sense resistors occur due to charging and discharging parasitic capacitances. During this time, typically one or two microseconds, the current cannot be measured. Blanking is the time when the input to the comparator is masked to block these spikes.

There are two cycle-by-cycle chopper modes available: a new high-performance chopper algorithm called SpreadCycle and a proven constant off-time chopper mode. The constant off-time mode cycles through three phases: on, fast decay, and slow decay. The SpreadCycle mode cycles through four phases: on, slow decay, fast decay, and a second slow decay.

The chopper frequency is an important parameter for a chopped motor driver. A too low frequency might generate audible noise. A higher frequency reduces current ripple in the motor, but with a too high frequency magnetic losses may rise. Also, power dissipation in the driver rises with increasing frequency due to the increased influence of switching slopes causing dynamic dissipation. Therefore, a compromise needs to be found. Most motors are optimally working in a frequency range of 16 kHz to 30 kHz. The chopper frequency is influenced by a number of parameter settings as well as by the motor inductivity and supply voltage.

Hint

A chopper frequency in the range of 16 kHz to 30 kHz gives a good result for most motors when using SpreadCycle. A higher frequency leads to increased switching losses.

Three parameters are used for controlling both chopper modes:

| Parameter | Description | Setting | Comment |
|-------------|--|---------|---|
| <i>TOFF</i> | Sets the slow decay time (<i>off time</i>). This setting also limits the maximum chopper frequency. For operation with StealthChop, this parameter is not used, but it is required to enable the motor. In case of operation with StealthChop only, any setting is OK. Setting this parameter to zero completely disables all driver transistors and the motor can free-wheel. | 0 | chopper off |
| | | 1...15 | off time setting $N_{CLK} = 24 + 32 * TOFF$ (1 will work with minimum blank time of 24 clocks) |
| <i>TBL</i> | Selects the comparator <i>blank time</i> . This time needs to safely cover the switching event and the duration of the ringing on the sense resistor. For most applications, a setting of 1 or 2 is good. For highly capacitive loads, e.g. when filter networks are used, a setting of 2 or 3 will be required. | 0 | 16 t_{CLK} |
| | | 1 | 24 t_{CLK} |
| | | 2 | 36 t_{CLK} |
| | | 3 | 54 t_{CLK} |
| <i>chm</i> | Selection of the <i>chopper mode</i> | 0 | SpreadCycle |
| | | 1 | classic const. off time |

7.1 SpreadCycle Chopper

The patented SpreadCycle chopper algorithm is a precise and simple to use chopper mode which automatically determines the optimum length for the fast-decay phase. The SpreadCycle will provide superior microstepping quality even with default settings. Several parameters are available to optimize the chopper to the application.

Each chopper cycle is comprised of an on phase, a slow decay phase, a fast decay phase and a second slow decay phase (see Figure 7.3). The two slow decay phases and the two blank times per chopper cycle put an upper limit to the chopper frequency. The slow decay phases typically make up for about 30%-70% of the chopper cycle in standstill and are important for low motor and driver power dissipation.

Calculation of a starting value for the slow decay time *TOFF*:

EXAMPLE:

Target Chopper frequency: 25kHz.

Assumption: Two slow decay cycles make up for 50% of overall chopper cycle time

$$t_{OFF} = \frac{1}{25kHz} * \frac{50}{100} * \frac{1}{2} = 10\mu s$$

For the *TOFF* setting this means:

$$TOFF = (t_{OFF} * f_{CLK} - 24) / 32$$

With 12 MHz clock this gives a setting of *TOFF*=3.25, i.e. 3.

With 16 MHz clock this gives a setting of *TOFF*=4.

The hysteresis start setting forces the driver to introduce a minimum amount of current ripple into the motor coils. The current ripple must be higher than the current ripple which is caused by resistive losses in the motor to give best microstepping results. This will allow the chopper to precisely regulate the current both for rising and for falling target current. The time required to introduce the current ripple into the motor coil also reduces the chopper frequency. Therefore, a higher hysteresis setting will lead to a lower chopper frequency. The motor inductance limits the ability of the chopper to follow a changing motor current. Further the duration of the on phase and the fast decay must be longer than the blanking time because the current comparator is disabled during blanking.

It is easiest to find the best setting by starting from a low hysteresis setting (e.g., $HSTRT=0$, $HEND=0$) and increasing $HSTRT$, until the motor runs smoothly at low velocity settings. This can best be checked when measuring the motor current either with a current probe or by probing the sense resistor voltages (see Figure 7.2). Checking the sine wave shape near zero transition will show a small ledge between both half waves in case the hysteresis setting is too small. At medium velocities (i.e., 100 to 400 fullsteps per second), a too low hysteresis setting will lead to increased humming and vibration of the motor.

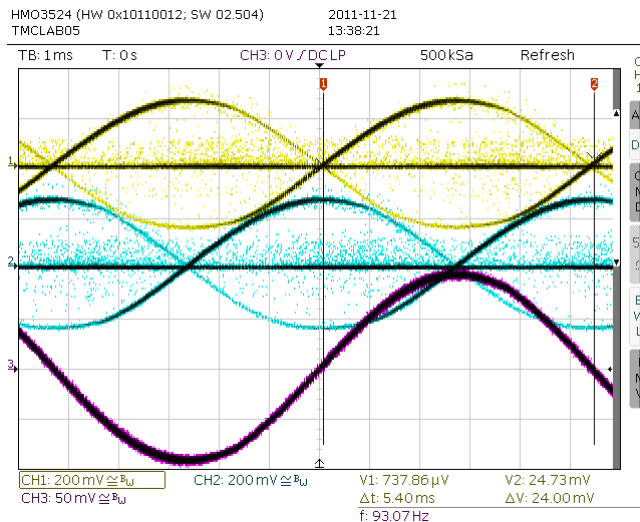


Figure 7.2 No ledges in current wave with sufficient hysteresis (magenta: current A, yellow & blue: sense resistor voltages A and B)

A too high hysteresis setting will lead to reduced chopper frequency and increased chopper noise but will not yield any benefit for the wave shape.

Quick Start

For a quick start, see the Quick Configuration Guide in chapter 22.

For detail procedure see Application Note AN001 - *Parameterization of SpreadCycle*

As experiments show, the setting is quite independent of the motor, because higher current motors typically also have a lower coil resistance. Therefore, choosing a low to medium default value for the hysteresis (for example, effective hysteresis = 4) normally fits most applications. The setting can be optimized by experimenting with the motor: A too low setting will result in reduced microstep accuracy, while a too high setting will lead to more chopper noise and motor power dissipation. When measuring the sense resistor voltage in motor standstill at a medium coil current with an oscilloscope, a too low setting shows a fast decay phase not longer than the blanking time. When the fast decay time becomes slightly longer than the blanking time, the setting is optimum. You can reduce the off-time setting, if this is hard to reach.

The hysteresis principle could in some cases lead to the chopper frequency becoming too low, e.g. when the coil resistance is high when compared to the supply voltage. This is avoided by splitting the hysteresis setting into a start setting ($HSTRT+HEND$) and an end setting ($HEND$). An automatic hysteresis decremter (HDEC) interpolates between both settings, by decrementing the hysteresis value stepwise each 16 system clocks. At the beginning of each chopper cycle, the hysteresis begins with a value which is the sum of the start and the end values ($HSTRT+HEND$), and decrements during the cycle, until either the chopper cycle ends, or the hysteresis end value ($HEND$) is reached. This way, the chopper frequency is stabilized at high amplitudes and low supply voltage situations, if the frequency gets too low. This avoids the frequency reaching the audible range.

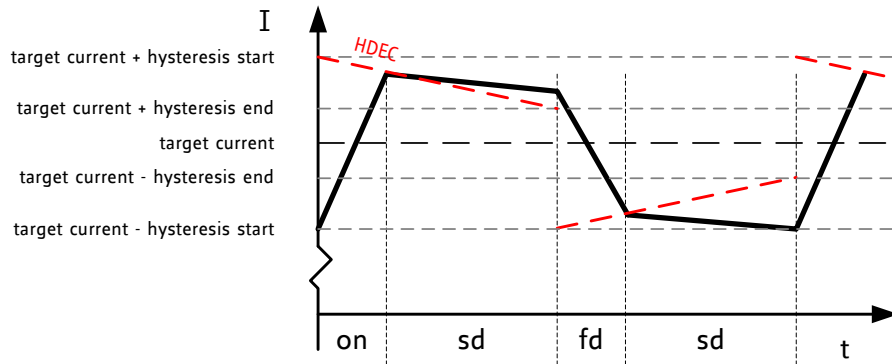


Figure 7.3 SpreadCycle chopper scheme showing coil current during a chopper cycle

Two parameters control SpreadCycle mode:

| Parameter | Description | Setting | Comment |
|--------------|---|---------|---|
| <i>HSTRT</i> | <i>Hysteresis start</i> setting. This value is an offset from the hysteresis end value <i>HEND</i> . | 0...7 | <i>HSTRT</i> =1...8 This value adds to <i>HEND</i> . |
| <i>HEND</i> | <i>Hysteresis end</i> setting. Sets the hysteresis end value after a number of decrements. The sum <i>HSTRT</i> + <i>HEND</i> must be ≤ 16 . At a current setting of max. 30 (amplitude reduced to 240), the sum is not limited. | 0...2 | -3...-1: negative <i>HEND</i> |
| | | 3 | 0: zero <i>HEND</i> |
| | | 4...15 | 1...12: positive <i>HEND</i> |

Even at *HSTRT*=0 and *HEND*=0, the TMC2130 sets a minimum hysteresis via analog circuitry.

EXAMPLE:

A hysteresis of 4 has been chosen. You might decide to not use hysteresis decrement. In this case set:

HEND=6 (sets an effective end value of $6-3=3$)
HSTRT=0 (sets minimum hysteresis, i.e. $1: 3+1=4$)

In order to take advantage of the variable hysteresis, we can set most of the value to the *HSTRT*, i.e. 4, and the remaining 1 to hysteresis end. The resulting configuration register values are as follows:

HEND=0 (sets an effective end value of -3)
HSTRT=6 (sets an effective start value of hysteresis end +7: $7-3=4$)

Hint

Highest motor velocities sometimes benefit from setting *TOFF* to 1 or 2 and a short *TBL* of 1 or 0.

7.2 Classic Constant Off Time Chopper

The classic constant off time chopper is an alternative to SpreadCycle. Perfectly tuned, it also gives good results. In combination with RDSon current sensing without external sense resistors, this chopper mode can bring a benefit regarding audible high-pitch chopper noise. Also, the classic constant off time chopper (automatically) is used in combination with fullstepping in DcStep operation.

The classic constant off-time chopper uses a fixed-time fast decay following each on phase. While the duration of the on phase is determined by the chopper comparator, the fast decay time needs to be long enough for the driver to follow the falling slope of the sine wave, but it should not be so long that it causes excess motor current ripple and power dissipation. This can be tuned using an oscilloscope or evaluating motor smoothness at different velocities. A good starting value is a fast decay time setting similar to the slow decay time setting.

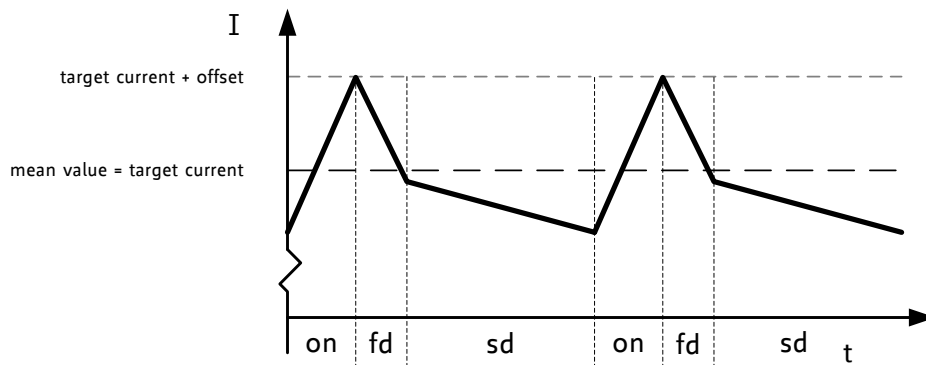


Figure 7.4 Classic const. off time chopper with offset showing coil current

After tuning the fast decay time, the offset should be tuned for a smooth zero crossing. This is necessary because the fast decay phase makes the absolute value of the motor current lower than the target current (see Figure 7.5). If the zero offset is too low, the motor stands still for a short moment during current zero crossing. If it is set too high, it makes a larger microstep. Typically, a positive offset setting is required for smoothest operation.

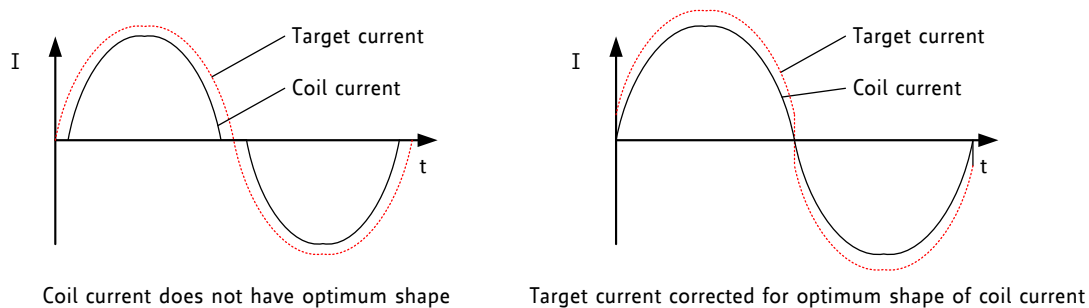


Figure 7.5 Zero crossing with classic chopper and correction using sine wave offset

Three parameters control constant off-time mode:

| Parameter | Description | Setting | Comment |
|--|---|---------|---|
| <i>TFD</i> (<i>fd3</i> & <i>HSTR7</i>) | <i>Fast decay time</i> setting. With CHM=1, these bits control the portion of fast decay for each chopper cycle. | 0 | slow decay only |
| | | 1...15 | duration of fast decay phase |
| <i>OFFSET</i> (<i>HEND</i>) | <i>Sine wave offset</i> . With CHM=1, these bits control the sine wave offset. A positive offset corrects for zero crossing error. | 0...2 | negative offset: -3...-1 |
| | | 3 | no offset: 0 |
| | | 4...15 | positive offset 1...12 |
| <i>disfdcc</i> | Selects usage of the <i>current comparator</i> for termination of the <i>fast decay</i> cycle. If current comparator is enabled, it terminates the fast decay cycle in case the current reaches a higher negative value than the actual positive value. | 0 | enable comparator termination of fast decay cycle |
| | | 1 | end by time only |

7.3 Random Off Time

In the constant off-time chopper mode, both coil choppers run freely without synchronization. The frequency of each chopper mainly depends on the coil current and the motor coil inductance. The inductance varies with the microstep position. With some motors, a slightly audible beat can occur between the chopper frequencies when they are close together. This typically occurs at a few microstep positions within each quarter wave. This effect is usually not audible when compared to mechanical noise generated by ball bearings, etc. Another factor which can cause a similar effect is a poor layout of the sense resistor GND connections.

Hint

A common factor, which can cause motor noise, is a bad PCB layout causing coupling of both sense resistor voltages (please refer layouts hint in chapter 29).

To minimize the effect of a beat between both chopper frequencies, an internal random generator is provided. It modulates the slow decay time setting when switched on by the *rndtf* bit. The *rndtf* feature further spreads the chopper spectrum, reducing electromagnetic emission on single frequencies.

| Parameter | Description | Setting | Comment |
|--------------|---|---------|--------------------------|
| <i>rndtf</i> | This bit switches on a <i>random off time</i> generator, which slightly modulates the off-time <i>TOFF</i> using a random polynomial. | 0 | disable |
| | | 1 | random modulation enable |

7.4 ChopSync2 for Quiet 2-Phase Motor

ChopSync2 is an alternative add-on concept for SpreadCycle chopper and constant off time chopper to optimize motor noise at low velocities. When using StealthChop for low velocity operation, chopSync2 is not applicable.

While a frequency adaptive chopper like SpreadCycle provides excellent high velocity operation, in some applications, a constant frequency chopper is preferred rather than a frequency adaptive chopper. This may be due to chopper noise in motor standstill, or due to electro-magnetic emission. ChopSync2 provides a means to synchronize the choppers for both coils with a common clock, by extending the off time of the coils. It integrates with both chopper principles. However, a careful set up of the chopper is necessary, because ChopSync2 can just increment the off times, but not reduce the duration of the chopper cycles themselves. Therefore, it is necessary to test successful operation best with an oscilloscope. Set up the chopper as detailed above but take care to have chopper frequency higher than the ChopSync2 frequency. As high motor velocities take advantage of the normal, adaptive chopper style, ChopSync2 becomes automatically switched off using the *VHIGH* velocity limit programmed within the motion controller.

A suitable ChopSync2 *SYNC* value can be calculated as follows:

$$SYNC = \left\lfloor \frac{f_{CLK}}{64 * f_{SYNC}} \right\rfloor$$

EXAMPLE:

The motor is operated in SpreadCycle mode (*chm*=0). The minimum chopper frequency for standstill and slow motion (up to *VHIGH*) has been determined to be 25 kHz under worst case operation conditions (hot motor, low supply voltage). The standstill noise needs to be minimized by using ChopSync. The IC uses an external 16 MHz clock.

Considering the chopper mode 0, *SYNC* has to be set for the closest value resulting in or below the double frequency, e.g., 50 kHz. Using above formula, a value of 5 results exactly and can be used. Trying a value of 6, a frequency of 41.7 kHz results, which still gives an effective chopper frequency of slightly above 20 kHz, and thus would also be a valid solution. A value of 7 might still be good but could already give high frequency noise.

In chopper mode 1, *SYNC* could be set to any value between 10 and 13 to be within the chopper frequency range of 19.8 kHz to 25 kHz.

| Parameter | Description | Setting | Comment |
|-------------|---|---------|--|
| <i>SYNC</i> | This register allows synchronization of the chopper for both phases of a two-phase motor to avoid the occurrence of a beat, especially at low motor velocities. It is automatically switched off above <i>VHIGH</i> . <i>Hint:</i> Set <i>TOFF</i> to a low value, so that the chopper cycle is ended before the next sync clock pulse occurs. Set <i>SYNC</i> for the double desired chopper frequency for <i>chm</i> =0, for the desired base chopper frequency for <i>chm</i> =1. | 0 | ChopSync off |
| | | 1...15 | $f_{CLK}/64$... $f_{CLK}/(15*64)$ |

8 Analog Current Control AIN

When a high flexibility of the output current scaling is desired, the analog input of the driver can be enabled for current control, rather than choosing a different set of sense resistors or scaling down the run current via *IRUN* parameter. This way, a simple voltage divider can be used for the adaptation of a board to different motors.

AIN SCALES THE MOTOR CURRENT

The TMC2130 provides an internal reference voltage for current control, directly derived from the 5VOUT supply output. Alternatively, an external reference voltage can be used. This reference voltage becomes scaled down for the chopper comparators. The chopper comparators compare the voltages on BRA and BRB to the scaled reference voltage for current regulation. When *I_scale_analog* in *GCONF* is enabled, the external voltage on AIN is amplified and filtered and becomes used as reference voltage. A voltage of 2.5V (or any voltage between 2.5V and 5V) gives the same current scaling as the internal reference voltage. A voltage between 0V and 2.5V linearly scales the current between 0 and the current scaling defined by the sense resistor setting. It is not advised to work with reference voltages below about 0.5V to 1V, because relative analog noise caused by digital circuitry has an increased impact on the chopper precision at low AIN voltages. For best precision, choose the sense resistors in a way that the desired maximum current is reached with AIN in the range 2V to 2.4V. Be sure to optimize the chopper settings for the normal run current of the motor.

DRIVING AIN

The easiest way to provide a voltage to AIN is to use a voltage divider from a stable supply voltage or a microcontroller's DAC output. A PWM signal can also be used for current control. The PWM becomes transformed to an analog voltage using an additional R/C low-pass at the AIN pin. The PWM duty cycle controls the analog voltage. Choose the R and C values to form a low pass with a corner frequency of several milliseconds while using PWM frequencies well above 10 kHz. AIN additionally provides an internal low-pass filter with 3.5kHz bandwidth. When a precise reference voltage is available (e.g., from TL431A), the precision of the motor current regulation can be improved when compared to the internal voltage reference.

Hint

Using a low reference voltage (below 1V), for adaptation of a high current driver to a low current motor will lead to reduced analog performance. Adapting the sense resistors to fit the desired motor current gives a better result.

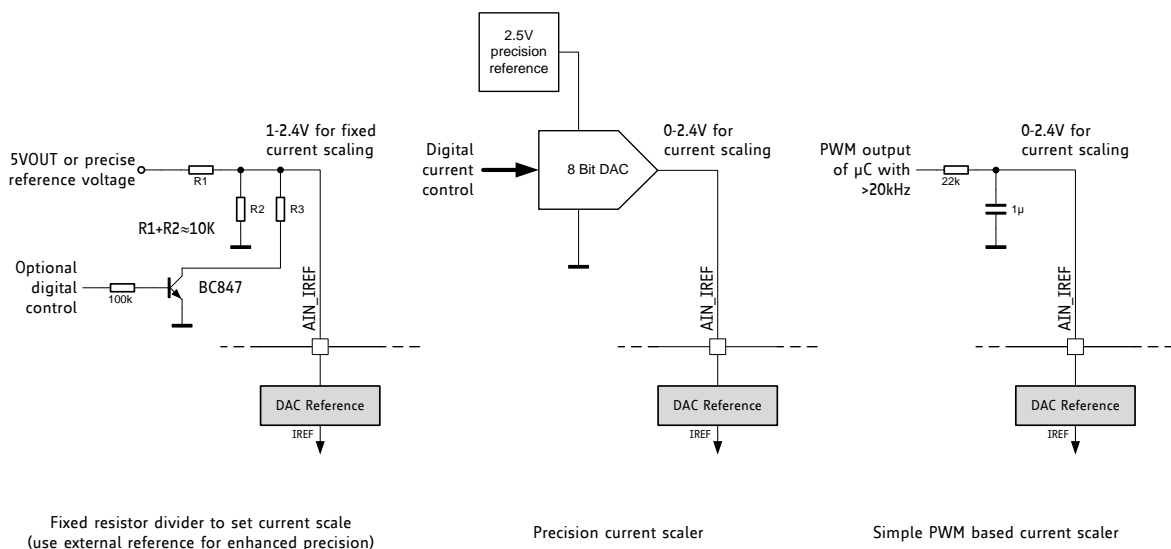


Figure 8.1 Scaling the motor current using the analog input

9 Selecting Sense Resistors

Set the desired maximum motor current by selecting an appropriate value for the sense resistor. The following table shows the RMS current values which can be reached using standard resistors and motor types fitting without additional motor current scaling.

| CHOICE OF R_{SENSE} AND RESULTING MAX. MOTOR CURRENT | | |
|--|--------------------------------------|--------------------------------------|
| R_{SENSE} [Ω] | RMS current [A] (CS=31, vsense=0) | RMS current [A] (CS=31, vsense=1) |
| 1.00 | 0.23 | 0.12 |
| 0.82 | 0.27 | 0.15 |
| 0.75 | 0.30 | 0.17 |
| 0.68 | 0.33 | 0.18 |
| 0.50 | 0.44 | 0.24 |
| 0.47 | 0.47 | 0.26 |
| 0.33 | 0.66 | 0.36 |
| 0.27 | 0.79 | 0.44 |
| 0.22 | 0.96 | 0.53 |
| 0.15 | 1.35 | 0.75 |
| 0.12 | 1.64 | 0.91 |
| 0.10 | 1.92*) | 1.06 |

*) Value exceeds upper current rating.

Sense resistors should be carefully selected. The full motor current flows through the sense resistors. Due to chopper operation the sense resistors see pulsed current from the MOSFET bridges. Therefore, a low-inductance type such as film or composition resistors is required to prevent voltage spikes causing ringing on the sense voltage inputs leading to unstable measurement results. Also, a low-inductance, low-resistance PCB layout is essential. Any common GND path for the two sense resistors must be avoided, because this would lead to coupling between the two current sense signals. A massive ground plane is best. Please also refer to layout considerations in chapter 29.

The sense resistor voltage range can be selected by the *vsense* bit in *CHOPCONF*. The low sensitivity setting (high sense resistor voltage, *vsense*=0) brings best and most robust current regulation, while high sensitivity (low sense resistor voltage, *vsense*=1) reduces power dissipation in the sense resistor. The high sensitivity setting reduces the power dissipation in the sense resistor by nearly half.

The current to both coils is scaled by the 5-bit current scale parameters (*IHOLD*, *IRUN*). Choose the sense resistor value so that the maximum desired current (or slightly more) flows at the maximum current setting (*IRUN* = %11111).

CALCULATION OF RMS CURRENT

$$I_{RMS} = \frac{CS + 1}{32} * \frac{V_{FS}}{R_{SENSE} + 20m\Omega} * \frac{1}{\sqrt{2}}$$

The momentary motor current is calculated by:

$$I_{MOT} = \frac{CUR_{A/B}}{248} * \frac{CS + 1}{32} * \frac{V_{FS}}{R_{SENSE} + 20m\Omega}$$

CS is the current scale setting as set by the *IHOLD* and *IRUN* and CoolStep.

V_{FS} is the full-scale voltage as determined by *vsense* control bit (please refer to electrical characteristics, V_{SRTL} and V_{SRTH}).

$CUR_{A/B}$ is the actual value from the internal sine wave table.

248 is the amplitude of the internal sine wave table.

When *I_scale_analog* is enabled for analog scaling of V_{FS} , the resulting voltage V_{FS}' is calculated by:

$$V_{FS}' = V_{FS} * \frac{V_{AIN}}{2.5V}$$

with V_{AIN} the voltage on pin AIN_IREF in the range 0V to $V_{5VOUT}/2$

The sense resistor needs to be able to conduct the peak motor coil current in motor standstill conditions unless standby power is reduced. Under normal conditions, the sense resistor conducts less than the coil RMS current, because no current flows through the sense resistor during the slow decay phases.

CALCULATION OF PEAK SENSE RESISTOR POWER DISSIPATION

$$P_{RSMAX} = I_{COIL}^2 * R_{SENSE}$$

Hint

For best precision of current setting, it is advised to measure and fine tune the current in the application.

Attention

Be sure to use a symmetrical sense resistor layout and short and straight sense resistor traces of identical length. Well matching sense resistors ensure best performance.

A compact layout with massive ground plane is best to avoid parasitic resistance effects.

| Parameter | Description | Setting | Comment |
|--------------------|---|--------------|--|
| <i>IRUN</i> | Current scale when motor is running. Scales coil current values as taken from the internal sine wave table. For high precision motor operation, work with a current scaling factor in the range 16 to 31, because scaling down the current values reduces the effective microstep resolution by making microsteps coarser. This setting also controls the maximum current value set by CoolStep. | 0 ... 31 | scaling factor 1/32, 2/32, ... 32/32 |
| <i>IHOLD</i> | Identical to <i>IRUN</i> , but for motor in stand still. | | |
| <i>IHOLD DELAY</i> | Allows smooth current reduction from run current to hold current. <i>IHOLDDELAY</i> controls the number of clock cycles for motor power down after <i>TPOWERDOWN</i> in increments of 2^{18} clocks: 0=instant power down, 1..15: Current reduction delay per current step in multiple of 2^{18} clocks. <i>Example:</i> When using <i>IRUN</i> =31 and <i>IHOLD</i> =16, 15 current steps are required for hold current reduction. A <i>IHOLDDELAY</i> setting of 4 thus results in a power down time of $4*15*2^{18}$ clock cycles, i.e., roughly one second at 16MHz. | 0 1 ...15 | instant <i>IHOLD</i> $1*2^{18} \dots 15*2^{18}$ clocks per current decrement |
| <i>vsense</i> | Allows control of the sense resistor <i>voltage range</i> for full scale current. | 0 1 | $V_{FS} = 0.32 V$ $V_{FS} = 0.18 V$ |

10 Internal Sense Resistors

The TMC2130 provides the option to eliminate external sense resistors. In this mode the external sense resistors become omitted (shorted) and the internal on-resistance of the power MOSFETs is used for current measurement (see Figure 3.3). As MOSFETs are both, temperature dependent and subject to production stray, a tiny external resistor connected from +5VOUT to AIN/IREF provides a precise absolute current reference. This resistor converts the 5V voltage into a reference current. Be sure to directly attach BRA and BRB pins to GND in this mode near the IC package. The mode is enabled by setting *internal_Rsense* in *GCONF*.

| COMPARING INTERNAL SENSE RESISTORS VS. SENSE RESISTORS | | |
|--|---|----------------------------|
| Item | Internal Sense Resistors | External Sense Resistors |
| Ease of use | Set <i>internal_Rsense</i> first | (+) Default |
| Cost | (+) Save cost for sense resistors | |
| Current precision | Slightly reduced | (+) Good |
| Current Range Recommended | 200mA RMS to 1.2A RMS | 50mA to 1.4A RMS |
| Recommended chopper | StealthChop, SpreadCycle shows slightly reduced performance at >1A | StealthChop or SpreadCycle |

While the RDSon based measurements bring benefits concerning cost and size of the driver, it gives slightly less precise coil current regulation when compared to external sense resistors. The internal sense resistors have a certain temperature dependence, which is automatically compensated by the driver IC. However, for high current motors, a temperature gradient between the ICs internal sense resistors and the compensation circuit will lead to an initial current overshoot of some 10% during driver IC heat up. While this phenomenon shows for roughly a second, it might even be beneficial to enable increased torque during initial motor acceleration.

PRINCIPLE OF OPERATION

A reference current into the AIN/IREF pin is used as reference for the motor current. To realize a certain current, a single resistor (R_{REF}) can be connected between 5VOUT and AIN/IREF (pls. refer the table for the choice of the resistor). AIN/IREF input resistance is about 1kOhm. The resulting current into AIN/IREF is amplified 3000 times. Thus, a current of 0.5mA yields a motor current of 1.5A peak. For calculation of the reference resistor, the internal resistance of VREF needs to be considered additionally.

When using reference currents above 0.5mA resulting in higher theoretical current settings of up to 2A, the resulting current decreases linearly when chip temperature exceeds a certain maximum temperature. For a 2A setting it decreases from 2A at up to 100°C down to about 1.5A at 150°C. The resulting curve limits the maximum current setting in this mode. For calculation of the reference resistor, the internal resistance of AIN/RREF needs to be considered additionally.

vsense=1 allows a lower peak current setting of about 55% of the value yielded with *vsense=0* (as specified by V_{SRTH} / V_{SRTL}). For fine tuning use the current scale *CS*.

| CHOICE OF R_{REF} FOR OPERATION WITHOUT SENSE RESISTORS | | |
|---|---|---|
| R_{REF} [Ω] | Peak current [A] (CS=31, vsense=0) | Peak current [A] (CS=31, vsense=1) |
| 6k8 | 1.92 | 1.06 |
| 7k5 | 1.76 | 0.97 |
| 8k2 | 1.63 | 0.90 |
| 9k1 | 1.49 | 0.82 |
| 10k | 1.36 | 0.75 |
| 12k | 1.15 | 0.63 |
| 15k | 0.94 | 0.52 |
| 18k | 0.79 | 0.43 |
| 22k | 0.65 | 0.36 |
| 24k | 0.60 | 0.33 |
| 27k | 0.54 | 0.29 |

In R_{DSon} measurement mode, connect the BRA and BRB pins to GND using the shortest possible path (lowest possible PCB resistance). In a realistic setup, the effective current will be slightly lower than expected. R_{DSon} based measurement gives best results when combined with classic constant off time chopper or with the voltage PWM StealthChop. When using SpreadCycle with R_{DSon} based current measurement, slightly asymmetric current measurement for positive currents (on phase) and negative currents (fast decay phase) can result in chopper noise. This especially occurs at increased die temperature and increased motor current.

Note

The absolute current levels achieved with R_{DSon} based current sensing may depend on PCB layout exactly like with external sense resistors, because trace resistance on BR pins will add to the effective sense resistance. Therefore, we recommend measuring and calibrate the current setting within the application.

Thumb rule

R_{DSon} based current sensing works best for motors with up to 1.2A RMS current. The best results are yielded with StealthChop operation in combination with R_{DSon} based current sensing. Consider using classic chopper rather than SpreadCycle.

For most precise current control and best results with SpreadCycle, it is recommended to use external 1% sense resistors rather than R_{DSon} based current control.

11 Velocity Based Mode Control

The TMC2130 allows the configuration of different chopper modes and modes of operation for optimum motor control. Depending on the motor load, the different modes can be optimized for lowest noise & high precision, highest dynamics, or maximum torque at highest velocity. Some of the features like CoolStep or StallGuard2 are useful in a limited velocity range. A number of velocity thresholds allow combining the different modes of operation within an application requiring a wide velocity range.

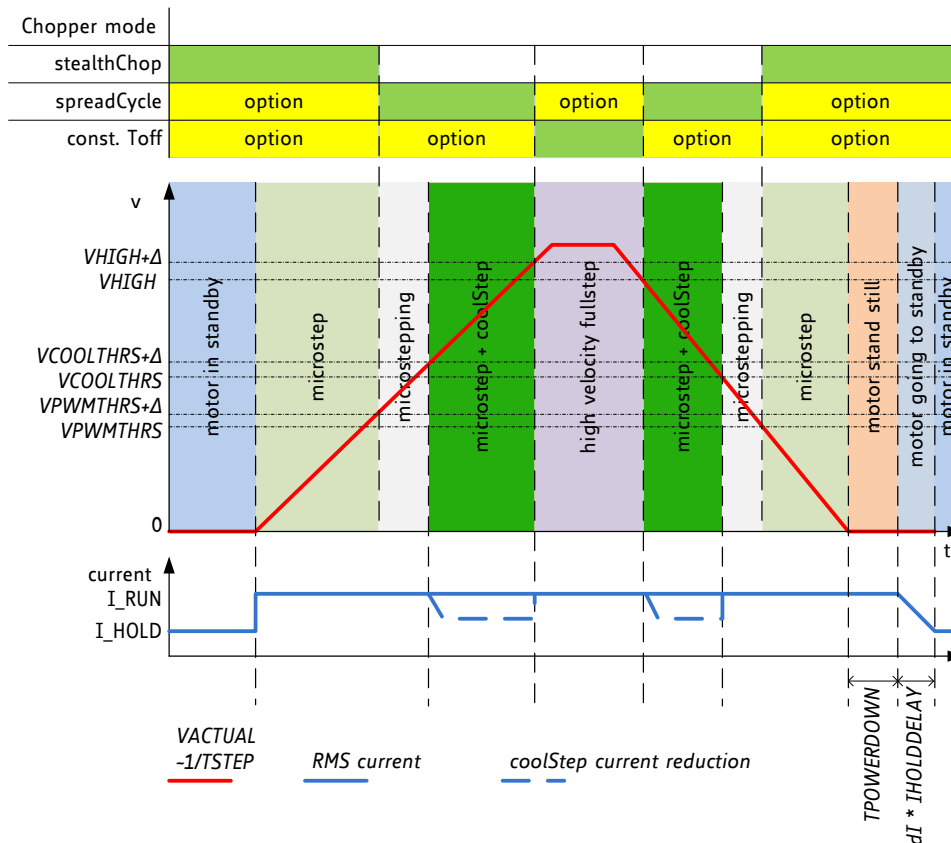


Figure 11.1 Choice of velocity dependent modes

Figure 11.1 shows all available thresholds and the required ordering. $VPWMTHRS$, $VHIG$ and $VCOOLTHRS$ are determined by the settings $TPWMTHRS$, $THIGH$ and $TCOOLTHRS$. The velocity is described by the time interval $TSTEP$ between each two $1/256$ equivalent step pulses. This allows determination of the velocity when an external step source is used. $TSTEP$ always becomes normalized to 256 microstepping. This way, the thresholds do not have to be adapted when the microstep resolution is changed. The thresholds represent the same motor velocity, independent of the microstep settings. $TSTEP$ becomes compared to these threshold values. A hysteresis of $1/16 TSTEP$ resp. $1/32 TSTEP$ is applied to avoid continuous toggling of the comparison results when a jitter in the $TSTEP$ measurement occurs. The upper switching velocity is higher by $1/16$, resp. $1/32$ of the value set as threshold. The StealthChop threshold $TPWMTHRS$ is not shown. It can be included with $VPWMTHRS < VCOOLTHRS$. The motor current can be programmed to a run and a hold level, dependent on the standstill flag *stst*.

Using automatic velocity thresholds allows tuning the application for different velocity ranges. Features like CoolStep will integrate completely transparently in your setup. This way, once parameterized, they do not require any activation or deactivation via software.

| Parameter | Description | Setting | Comment |
|-------------------------|---|-----------------|---|
| <i>stst</i> | Indicates motor stand still in each operation mode. Time is 2^{20} clocks after the last step pulse. | 0/1 | Status bit, read only |
| <i>TPOWER DOWN</i> | This is the delay time after stand still (<i>stst</i>) of the motor to motor current power down. Time range is about 0 to 4 seconds. Setting 0 is no delay, 1 a one clock cycle delay. Further increment is in discrete steps of 2^{18} clock cycles. | 0...255 | Time in multiples of $2^{18} t_{CLK}$ |
| <i>TSTEP</i> | Actual measured time between two 1/256 microsteps derived from the step input frequency in units of $1/f_{CLK}$. Measured value is $(2^{20})-1$ in case of overflow or stand still. | 0... 1048575 | Status register, read only. Actual measured step time in multiple of t_{CLK} |
| <i>TPWMTHRS</i> | $TSTEP \geq TPWMTHRS$ <ul style="list-style-type: none"> - StealthChop PWM mode is enabled, if configured - DcStep is disabled | 0... 1048575 | Setting to control the upper velocity threshold for operation in StealthChop |
| <i>TCOOLTHRS</i> | $TCOOLTHRS \geq TSTEP \geq THIGH$: <ul style="list-style-type: none"> - CoolStep is enabled, if configured - StealthChop voltage PWM mode is disabled $TCOOLTHRS \geq TSTEP$ <ul style="list-style-type: none"> - StallGuard status output signal is enabled, if configured | 0... 1048575 | Setting to control the lower velocity threshold for operation with CoolStep and StallGuard |
| <i>THIGH</i> | $TSTEP \leq THIGH$: <ul style="list-style-type: none"> - CoolStep is disabled (motor runs with normal current scale) - StealthChop voltage PWM mode is disabled - If <i>vhighchm</i> is set, the chopper switches to <i>chm</i>=1 with <i>TFD</i>=0 (constant off time with slow decay, only). - chopSync2 is switched off (<i>SYNC</i>=0) - If <i>vhighfs</i> is set, the motor operates in fullstep mode and the stall detection becomes switched over to DcStep stall detection. | 0... 1048575 | Setting to control the upper threshold for operation with CoolStep and StallGuard as well as optional high velocity step mode |
| <i>small_hysteresis</i> | Hysteresis for step frequency comparison based on <i>TSTEP</i> (lower velocity threshold) and $(TSTEP*15/16)-1$ respectively $(TSTEP*31/32)-1$ (upper velocity threshold) | 0 | Hysteresis is 1/16 |
| | | 1 | Hysteresis is 1/32 |
| <i>vhighfs</i> | This bit enables switching to fullstep, when <i>VHIGH</i> is exceeded. Switching takes place only at 45° position. The fullstep target current uses the current value from the microstep table at the 45° position. | 0 | No switch to fullstep |
| | | 1 | Fullstep at high velocities |
| <i>vhighchm</i> | This bit enables switching to <i>chm</i> =1 and <i>fd</i> =0, when <i>VHIGH</i> is exceeded. This way, a higher velocity can be achieved. Can be combined with <i>vhighfs</i> =1. If set, the <i>TOFF</i> setting automatically becomes doubled during high velocity operation in order to avoid doubling of the chopper frequency. | 0 | No change of chopper mode |
| | | 1 | Classic const. Toff chopper at high velocities |
| <i>en_pwm_mode</i> | StealthChop voltage PWM enable flag (depending on velocity thresholds). Switch from off to on state while in stand still, only. | 0 | No StealthChop |
| | | 1 | StealthChop below <i>VPWMTHRS</i> |

12 Driver Diagnostic Flags

The TMC2130 drivers supply a complete set of diagnostic and protection capabilities, like short to GND protection and undervoltage detection. A detection of an open load condition allows testing if a motor coil connection is interrupted. See the *DRV_STATUS* table for details.

12.1 Temperature Measurement

The driver integrates a two-level temperature sensor (120°C pre-warning and 150°C thermal shutdown) for diagnostics and for protection of the IC against excess heat. The heat is mainly generated by the motor driver stages, and, at increased voltage, by the internal voltage regulator. Most critical situations, where the driver MOSFETs could be overheated, are avoided when enabling the short to GND protection. For many applications, the overtemperature pre-warning will indicate an abnormal operation situation and can be used to initiate user warning or power reduction measures like motor current reduction. The thermal shutdown is just an emergency measure and temperature rising to the shutdown level should be prevented by design.

After triggering the overtemperature sensor (*ot* flag), the driver remains switched off until the system temperature falls below the pre-warning level (*otpw*) to avoid continuous heating to the shutdown level.

12.2 Short to GND Protection

The TMC2130 power stages are protected against a short circuit condition by an additional measurement of the current flowing through the high-side MOSFETs. This is important, as most short circuit conditions result from a motor cable insulation defect, e.g., when touching the conducting parts connected to the system ground. The short detection is protected against spurious triggering caused by ESD discharges, by retrying three times before switching off the motor.

Once a short condition is safely detected, the corresponding driver bridge becomes switched off, and the *s2ga* or *s2gb* flag becomes set. To restart the motor, the disable and re-enable the driver. It should be noted, that the short to GND protection cannot protect the system and the power stages for all possible short events, as a short event is rather undefined, and a complex network of external components may be involved. Therefore, short circuits should basically be avoided.

12.3 Open Load Diagnostics

Interrupted cables are a common cause for systems failing, e.g., when connectors are not firmly plugged. The TMC2130 detects open load conditions by checking if it can reach the desired motor coil current. This way, also undervoltage conditions, high motor velocity settings or short and overtemperature conditions may cause triggering of the open load flag, and inform the user, that motor torque may suffer. In motor stand still, open load cannot be measured, as the coils might eventually have zero current.

Open load detection is provided for system debugging. To safely detect an interrupted coil connection, operate in SpreadCycle, and check the open load flags following a motion of minimum four times the selected microstep resolution into a single direction using low or nominal motor velocity operation, only. However, the *ola* and *olb* flags have just informative character and do not cause any action of the driver.

14 StallGuard2 Load Measurement

StallGuard2 provides an accurate measurement of the load on the motor. It can be used for stall detection as well as other uses at loads below those which stall the motor, such as CoolStep load-adaptive current reduction. The StallGuard2 measurement value changes linearly over a wide range of load, velocity, and current settings, as shown in Figure 14.1. At maximum motor load, the value goes to zero or near to zero. This corresponds to a load angle of 90° between the magnetic field of the coils and magnets in the rotor. This also is the most energy-efficient point of operation for the motor.

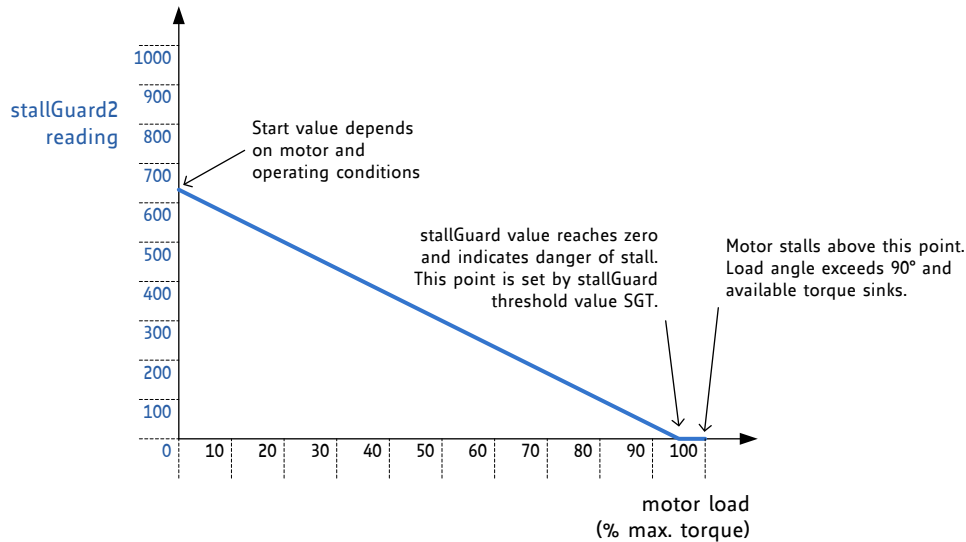


Figure 14.1 Function principle of StallGuard2

| Parameter | Description | Setting | Comment |
|------------------|---|-----------|--|
| <i>SGT</i> | This signed value controls the StallGuard2 threshold level for stall detection and sets the optimum measurement range for readout. A lower value gives a higher sensitivity. Zero is the starting value working with most motors. A higher value makes StallGuard2 less sensitive and requires more torque to indicate a stall. | 0 | indifferent value |
| | | +1... +63 | less sensitivity |
| | | -1... -64 | higher sensitivity |
| <i>sfilt</i> | Enables the StallGuard2 filter for more precision of the measurement. If set, reduces the measurement frequency to one measurement per electrical period of the motor (4 fullsteps). | 0 | standard mode |
| | | 1 | filtered mode |
| Status word | Description | Range | Comment |
| <i>SG_RESULT</i> | This is the <i>StallGuard2 result</i> . A higher reading indicates less mechanical load. A lower reading indicates a higher load and thus a higher load angle. Tune the <i>SGT</i> setting to show a <i>SG_RESULT</i> reading of roughly 0 to 100 at maximum load before motor stall. | 0... 1023 | 0: highest load low value: high load high value: less load |

In order to use StallGuard2 and CoolStep, the StallGuard2 sensitivity should first be tuned using the SGT setting!

14.1 Tuning StallGuard2 Threshold SGT

The StallGuard2 value *SG_RESULT* is affected by motor-specific characteristics and application-specific demands on load and velocity. Therefore, the easiest way to tune the StallGuard2 threshold *SGT* for a specific motor type and operating conditions is interactive tuning in the actual application.

INITIAL PROCEDURE FOR TUNING STALLGUARD SGT

1. Operate the motor at the normal operation velocity for your application and monitor *SG_RESULT*.
2. Apply slowly increasing mechanical load to the motor. If the motor stalls before *SG* reaches zero, decrease *SGT*. If *SG_RESULT* reaches zero before the motor stalls, increase *SGT*. A good *SGT* starting value is zero. *SGT* is signed, so it can have negative or positive values.
3. Now monitor the StallGuard output signal via *DIAG0* or *DIAG1* output (configure properly, also set *TCOOLTHRS*) and stop the motor when a pulse is seen on the respective output. Make sure, that the motor is safely stopped whenever it is stalled. Increase *SGT* if the motor becomes stopped before a stall occurs.
4. The optimum setting is reached when *SG_RESULT* is between 0 and roughly 100 at increasing load shortly before the motor stalls, and *SG_RESULT* increases by 100 or more without load. *SGT* in most cases can be tuned for a certain motion velocity or a velocity range. Make sure, that the setting works reliable in a certain range (e.g., 80% to 120% of desired velocity) and also under extreme motor conditions (lowest and highest applicable temperature).

OPTIONAL PROCEDURE ALLOWING AUTOMATIC TUNING OF SGT

The basic idea behind the *SGT* setting is a factor, which compensates the StallGuard measurement for resistive losses inside the motor. At standstill and very low velocities, resistive losses are the main factor for the balance of energy in the motor, because mechanical power is zero or near to zero. This way, *SGT* can be set to an optimum at near zero velocity. This algorithm is especially useful for tuning *SGT* within the application to give the best result independent of environment conditions, motor stray, etc.

1. Operate the motor at low velocity < 10 RPM (a few to a few ten fullsteps per second) and target operation current and supply voltage. In this velocity range, there is not much dependence of *SG_RESULT* on the motor load, because the motor does not generate significant back EMF. Therefore, mechanical load will not make a big difference on the result.
2. Switch on *sfilt*. Now increase *SGT* starting from 0 to a value, where *SG_RESULT* starts rising. With a high *SGT*, *SG_RESULT* will rise up to the maximum value. Reduce again to the highest value, where *SG_RESULT* stays at 0. Now the *SGT* value is set as sensibly as possible. When you see *SG_RESULT* increasing at higher velocities, there will be useful stall detection.

The upper velocity for the stall detection with this setting is determined by the velocity, where the motor back EMF approaches the supply voltage, and the motor current starts dropping when further increasing velocity.

SG_RESULT goes to zero when the motor stalls and the stall signal is activated. The external motion controller should react to a single pulse by stopping the motor if desired. Set *TCOOLTHRS* to match the lower velocity threshold where StallGuard delivers a good result.

The system clock frequency affects *SG_RESULT*. An external crystal-stabilized clock should be used for applications that demand the highest performance. The power supply voltage also affects *SG_RESULT*, so tighter regulation results in more accurate values. *SG_RESULT* measurement has a high resolution, and there are a few ways to enhance its accuracy, as described in the following sections.

Note

Application Note 002 *Parameterization of StallGuard2 & CoolStep* is available on www.trinamic.com.

14.1.1 Variable Velocity Limits *TCOOLTHRS* and *THIGH*

The *SGT* setting chosen as a result of the previously described *SGT* tuning (chapter 0) can be used for a certain velocity range. Outside this range, a stall may not be detected safely, and CoolStep might not give the optimum result.

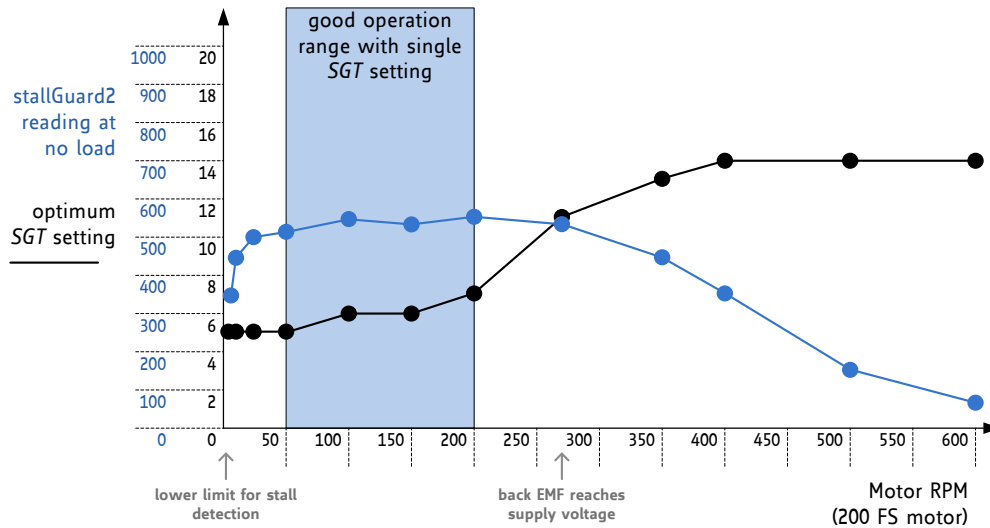


Figure 14.2 Example: optimum SGT setting and StallGuard2 reading with an example motor

In many applications, operation at or near a single operation point is used most of the time and a single setting is sufficient. The driver provides a lower and an upper velocity threshold to match this. The stall detection is disabled outside the determined operation point, e.g. during acceleration phases preceding a sensorless homing procedure when setting *TCOOLTHRS* to a matching value. An upper limit can be specified by *THIGH*.

In some applications, a velocity dependent tuning of the *SGT* value can be expedient, using a small number of support points and linear interpolation.

14.1.2 Small Motors with High Torque Ripple and Resonance

Motors with a high detent torque show an increased variation of the StallGuard2 measurement value *SG_RESULT* with varying motor currents, especially at low currents. For these motors, the current dependency should be checked for best result.

14.1.3 Temperature Dependence of Motor Coil Resistance

Motors working over a wide temperature range may require temperature correction, because motor coil resistance increases with rising temperature. This can be corrected as a linear reduction of *SG_RESULT* at increasing temperature, as motor efficiency is reduced.

14.1.4 Accuracy and Reproducibility of StallGuard2 Measurement

In a production environment, it may be desirable to use a fixed *SGT* value within an application for one motor type. Most of the unit-to-unit variation in StallGuard2 measurements results from manufacturing tolerances in motor construction. The measurement error of StallGuard2 – provided that all other parameters remain stable – can be as low as:

$$\text{stallGuard measurement error} = \pm \max(1, |SGT|)$$

14.2 StallGuard2 Update Rate and Filter

The StallGuard2 measurement value *SG* is updated with each full step of the motor. This is enough to safely detect a stall because a stall always means the loss of four full steps. In a practical application, especially when using CoolStep, a more precise measurement might be more important than an update for each fullstep because the mechanical load never changes instantaneously from one step to the next. For these applications, the *sfilt* bit enables a filtering function over four load measurements. The filter should always be enabled when high-precision measurement is required. It compensates for variations in motor construction, for example due to misalignment of the phase A to phase B magnets. The filter should be disabled when rapid response to increasing load is required and for best results of sensorless homing using StallGuard.

14.3 Detecting a Motor Stall

To safely detect a motor stall the stall threshold must be determined using a specific *SGT* setting. Therefore, the maximum load needs to be determined the motor can drive without stalling. At the same time, monitor *SG_RESULT* at this load, e.g., some value within the range 0 to 100. The stall threshold should be a value safely within the operating limits, to allow for parameter stray. The response at an *SGT* setting at or near 0 gives some idea on the quality of the signal: Check *SG_RESULT* without load and with maximum load. They should show a difference of at least 100 or a few 100, which shall be large compared to the offset. If you set the *SGT* value in a way, that a reading of 0 occurs at maximum motor load, the stall can be automatically detected by the motion controller to issue a motor stop. In the moment of the step resulting in a step loss, the lowest reading will be visible. After the step loss, the motor will vibrate and show a higher *SG* reading.

14.4 Limits of StallGuard2 Operation

StallGuard2 does not operate reliably at extreme motor velocities: Very low motor velocities (for many motors, less than one revolution per second) generate a low back EMF and make the measurement unstable and dependent on environment conditions (temperature, etc.). The automatic tuning procedure described above will compensate for this. Other conditions will also lead to extreme settings of *SGT* and poor response of the measurement value *SG_RESULT* to the motor load.

Very high motor velocities, in which the full sinusoidal current is not driven into the motor coils also leads to poor response. These velocities are typically characterized by the motor back EMF reaching the supply voltage.

15 CoolStep Operation

CoolStep is an automatic smart energy optimization for stepper motors based on the motor mechanical load, making them "green".

15.1 User Benefits



- | | |
|------------------------------------|-----------------------------------|
| <i>Energy efficiency</i> | - consumption decreased up to 75% |
| <i>Motor generates less heat</i> | - improved mechanical precision |
| <i>Less cooling infrastructure</i> | - for motor and driver |
| <i>Cheaper motor</i> | - does the job! |

CoolStep allows substantial energy savings, especially for motors which see varying loads or operate at a high duty cycle. Because a stepper motor application needs to work with a torque reserve of 30% to 50%, even a constant-load application allows significant energy savings because CoolStep automatically enables torque reserve when required. Reducing power consumption keeps the system cooler, increases motor life, and allows reducing cost in the power supply and cooling components.

Reducing motor current by half results in reducing power by a factor of four.

15.2 Setting up for CoolStep

CoolStep is controlled by several parameters, but two are critical for understanding how it works:

| Parameter | Description | Range | Comment |
|-----------|---|--------|---|
| SEMIN | 4-bit unsigned integer that sets a <i>lower threshold</i> . If <i>SG</i> goes below this threshold, CoolStep increases the current to both coils. The 4-bit <i>SEMIN</i> value is scaled by 32 to cover the lower half of the range of the 10-bit <i>SG</i> value. (The name of this parameter is derived from smartEnergy, which is an earlier name for CoolStep.) | 0 | disable CoolStep |
| | | 1...15 | threshold is $SEMIN * 32$ |
| SEMAX | 4-bit unsigned integer that controls an <i>upper threshold</i> . If <i>SG</i> is sampled equal to or above this threshold enough times, CoolStep decreases the current to both coils. The upper threshold is $(SEMIN + SEMAX + 1) * 32$. | 0...15 | threshold is $(SEMIN + SEMAX + 1) * 32$ |

Figure 15.1 shows the operating regions of CoolStep:

- The black line represents the *SG_RESULT* measurement value.
- The blue line represents the mechanical load applied to the motor.
- The red line represents the current into the motor coils.

When the load increases, *SG_RESULT* falls below *SEMIN*, and CoolStep increases the current. When the load decreases, *SG_RESULT* rises above $(SEMIN + SEMAX + 1) * 32$, and the current is reduced.

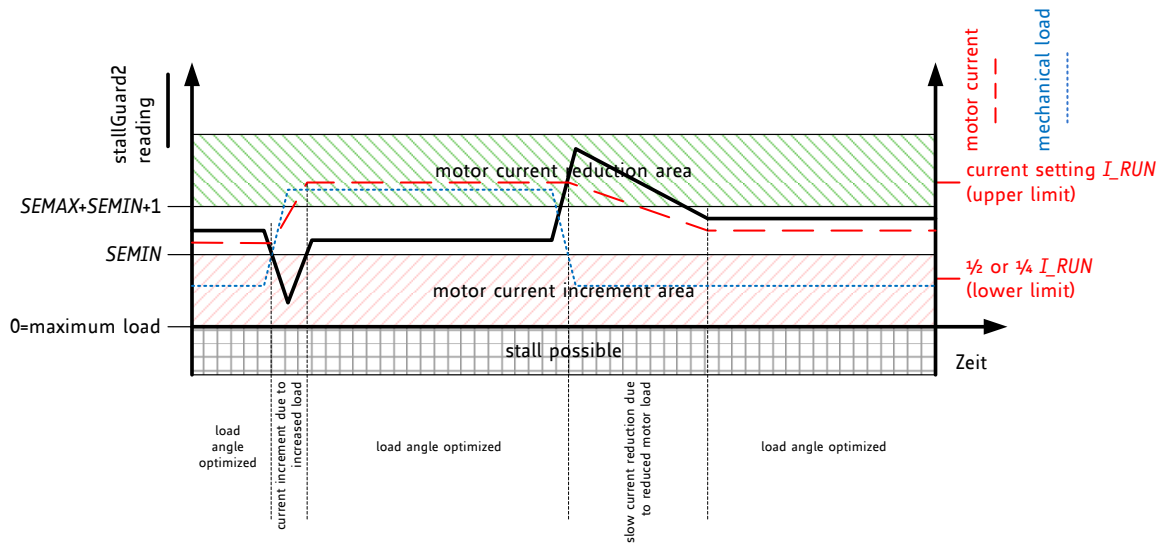


Figure 15.1 CoolStep adapts motor current to the load

Five more parameters control CoolStep and one status value is returned:

| Parameter | Description | Range | Comment |
|------------------|---|--------------------|--|
| <i>SEUP</i> | Sets the <i>current increment step</i> . The current becomes incremented for each measured StallGuard2 value below the lower threshold. | 0...3 | step width is 1, 2, 4, 8 |
| <i>SEDN</i> | Sets the number of StallGuard2 readings above the upper threshold necessary for each <i>current decrement</i> of the motor current. | 0...3 | number of StallGuard2 measurements per decrement: 32, 8, 2, 1 |
| <i>SEIMIN</i> | Sets the <i>lower motor current limit</i> for CoolStep operation by scaling the <i>IRUN</i> current setting. | 0 1 | 0: 1/2 of IRUN 1: 1/4 of IRUN |
| <i>TCOOLTHRS</i> | Lower velocity threshold for switching on CoolStep and stall output. Below this velocity CoolStep becomes disabled (not used in STEP/DIR mode). Adapt to the lower limit of the velocity range where StallGuard2 gives a stable result. <i>Hint:</i> May be adapted to disable CoolStep during acceleration and deceleration phase by setting identical to <i>VMAX</i> . | 1... $2^{20}-1$ | Specifies lower CoolStep velocity by comparing the threshold value to <i>TSTEP</i> |
| <i>THIGH</i> | Upper velocity threshold value for CoolStep and stop on stall. Above this velocity CoolStep becomes disabled. Adapt to the velocity range where StallGuard2 gives a stable result. | 1... $2^{20}-1$ | Also controls additional functions like switching to fullstepping. |
| Status word | Description | Range | Comment |
| <i>CSACTUAL</i> | This status value provides the <i>actual motor current scale</i> as controlled by CoolStep. The value goes up to the <i>IRUN</i> value and down to the portion of <i>IRUN</i> as specified by <i>SEIMIN</i> . | 0...31 | 1/32, 2/32, ... 32/32 |

15.3 Tuning CoolStep

Before tuning CoolStep, first tune the StallGuard2 threshold level *SGT*, which affects the range of the load measurement value *SG_RESULT*. CoolStep uses *SG_RESULT* to operate the motor near the optimum load angle of +90°.

The current increment speed is specified in *SEUP*, and the current decrement speed is specified in *SEDN*. They can be tuned separately because they are triggered by different events that may need different responses. The encodings for these parameters allow the coil currents to be increased much more quickly than decreased, because crossing the lower threshold is a more serious event that may require a faster response. If the response is too slow, the motor may stall. In contrast, a slow response to crossing the upper threshold does not risk anything more serious than missing an opportunity to save power.

CoolStep operates between limits controlled by the current scale parameter *IRUN* and the *seimin* bit.

15.3.1 Response Time

For fast response to increasing motor load, use a high current increment step *SEUP*. If the motor load changes slowly, a lower current increment step can be used to avoid motor oscillations. If the filter controlled by *sfilt* is enabled, the measurement rate and regulation speed are cut by a factor of four.

Hint

The most common and most beneficial use is to adapt CoolStep for operation at the typical system target operation velocity and to set the velocity thresholds according. As acceleration and decelerations normally shall be quick, they will require the full motor current, while they have only a small contribution to overall power consumption due to their short duration.

15.3.2 Low Velocity and Standby Operation

Because CoolStep is not able to measure the motor load in standstill and at very low RPM, a lower velocity threshold is provided for enabling CoolStep. It should be set to an application specific default value. Below this threshold the normal current setting via *IRUN* respectively *IHOLD* is valid. An upper threshold is provided by the *VHIGH* setting. Both thresholds can be set as a result of the StallGuard2 tuning process.

16 STEP/DIR Interface

The STEP and DIR inputs provide a simple, standard interface compatible with many existing motion controllers. The MicroPlyer STEP pulse interpolator brings the smooth motor operation of high-resolution microstepping to applications originally designed for coarser stepping.

16.1 Timing

Figure 16.1 shows the timing parameters for the STEP and DIR signals, and the table below gives their specifications. When the *dedge* mode bit in the *CHOPCONF* register is set, both edges of STEP are active. If *dedge* is cleared, only rising edges are active. STEP and DIR are sampled and synchronized to the system clock. An internal analog filter removes glitches on the signals, such as those caused by long PCB traces. If the signal source is far from the chip, and especially if the signals are carried on cables, the signals should be filtered or differentially transmitted.

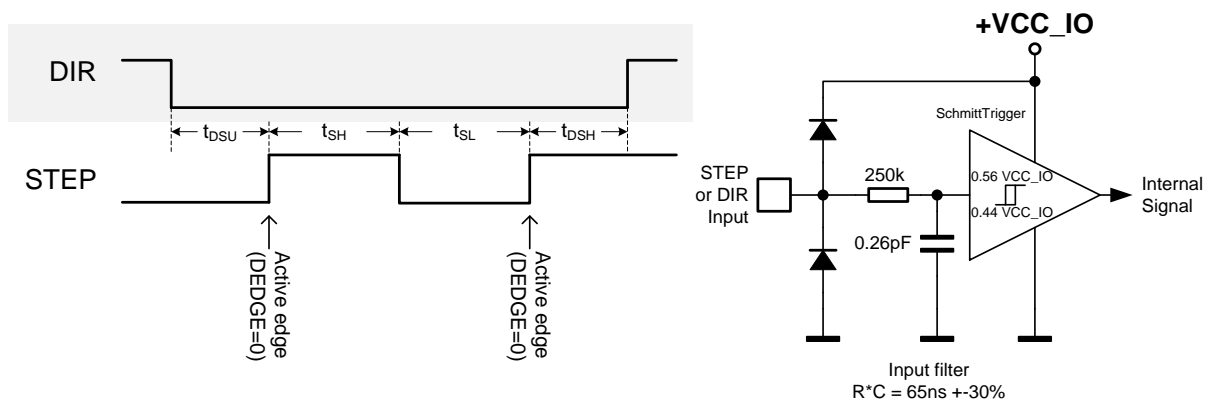


Figure 16.1 STEP and DIR timing, Input pin filter

| STEP and DIR interface timing | | AC-Characteristics clock period is t_{CLK} | | | | |
|--|---------------|---|-------------------------------|-------------|-----------------------|------|
| Parameter | Symbol | Conditions | Min | Typ | Max | Unit |
| step frequency (at maximum microstep resolution) | f_{STEP} | <i>dedge</i> =0 | | | $\frac{1}{2} f_{CLK}$ | |
| | | <i>dedge</i> =1 | | | $\frac{1}{4} f_{CLK}$ | |
| fullstep frequency | f_{FS} | | | | $f_{CLK}/512$ | |
| STEP input low time *) | t_{SL} | | $\max(t_{FILTS}, t_{CLK}+20)$ | | | ns |
| STEP input high time *) | t_{SH} | | $\max(t_{FILTS}, t_{CLK}+20)$ | | | ns |
| DIR to STEP setup time | t_{DSU} | | 20 | | | ns |
| DIR after STEP hold time | t_{DSH} | | 20 | | | ns |
| STEP and DIR spike filtering time *) | t_{FILTS} | rising and falling edge | 36 | 60 | 85 | ns |
| STEP and DIR sampling relative to rising CLK input | $t_{SDCLKHI}$ | before rising edge of CLK input | | t_{FILTS} | | ns |

*) These values are valid with full input logic level swing, only. Asymmetric logic levels will increase filtering delay t_{FILTS} , due to an internal input RC filter.

16.2 Changing Resolution

A reduced microstep resolution allows limitation of the step frequency for the STEP/DIR interface, or compatibility to an older, less performing driver. The internal microstep table with 1024 sine wave entries generates sinusoidal motor coil currents. These 1024 entries correspond to one electrical revolution or four fullsteps. The microstep resolution setting determines the step width taken within the table. Depending on the DIR input, the microstep counter is increased (DIR=0) or decreased (DIR=1) with each STEP pulse by the step width. The microstep resolution determines the increment respectively the decrement. At maximum resolution, the sequencer advances one step for each step pulse. At half resolution, it advances two steps. Increment is up to 256 steps for fullstepping. The sequencer has special provision to allow seamless switching between different microstep rates at any time. When switching to a lower microstep resolution, it calculates the nearest step within the target resolution and reads the current vector at that position. This behavior especially is important for low resolutions like fullstep and halfstep because any failure in the step sequence would lead to asymmetrical run when comparing a motor running clockwise and counterclockwise.

EXAMPLES:

Fullstep: Cycles through table positions: 128, 384, 640 and 896 (45°, 135°, 225° and 315° electrical position, both coils on at identical current). The coil current in each position corresponds to the RMS-Value (0.71 * amplitude). Step size is 256 (90° electrical)

Half step: The first table position is 64 (22.5° electrical), Step size is 128 (45° steps)

Quarter step: The first table position is 32 (90°/8=11.25° electrical), Step size is 64 (22.5° steps)

This way equidistant steps result, and they are identical in both rotation directions. Some older drivers also use zero current (table entry 0, 0°) as well as full current (90°) within the step tables. This kind of stepping is avoided because it provides less torque and has a worse power dissipation in driver and motor.

| Step position | table position | current coil A | current coil B |
|---------------|----------------|----------------|----------------|
| Half step 0 | 64 | 38.3% | 92.4% |
| Full step 0 | 128 | 70.7% | 70.7% |
| Half step 1 | 192 | 92.4% | 38.3% |
| Half step 2 | 320 | 92.4% | -38.3% |
| Full step 1 | 384 | 70.7% | -70.7% |
| Half step 3 | 448 | 38.3% | -92.4% |
| Half step 4 | 576 | -38.3% | -92.4% |
| Full step 2 | 640 | -70.7% | -70.7% |
| Half step 5 | 704 | -92.4% | -38.3% |
| Half step 6 | 832 | -92.4% | 38.3% |
| Full step 3 | 896 | -70.7% | 70.7% |
| Half step 7 | 960 | -38.3% | 92.4% |

16.3 MicroPlyer Step Interpolator and Stand Still Detection

For each active edge on STEP, MicroPlyer produces microsteps at 256x resolution, as shown in Figure 16.2. It interpolates the time in between of two step impulses at the step input based on the last step interval. This way, from 2 microsteps (128 microstep to 256 microstep interpolation) up to 256 microsteps (full step input to 256 microsteps) are driven for a single step pulse.

Enable MicroPlyer by setting the *intpol* bit in the *CHOPCONF* register.

The step rate for the interpolated 2 to 256 microsteps is determined by measuring the time interval of the previous step period and dividing it into up to 256 equal parts. The maximum time between two microsteps corresponds to 2^{20} (roughly one million system clock cycles), for an even distribution of 256 microsteps. At 16 MHz system clock frequency, this results in a minimum step input frequency of 16 Hz for MicroPlyer operation. A lower step rate causes the *STST* bit to be set, which indicates a standstill event. At that frequency, microsteps occur at a rate of $(\text{system clock frequency})/2^{16} - 256$ Hz. When a stand still is detected, the driver automatically switches the motor to holding current *IHOLD*.

Attention

MicroPlyer only works perfectly with a stable STEP frequency. Do not use the *dedge* option if the STEP signal does not have a 50% duty cycle.

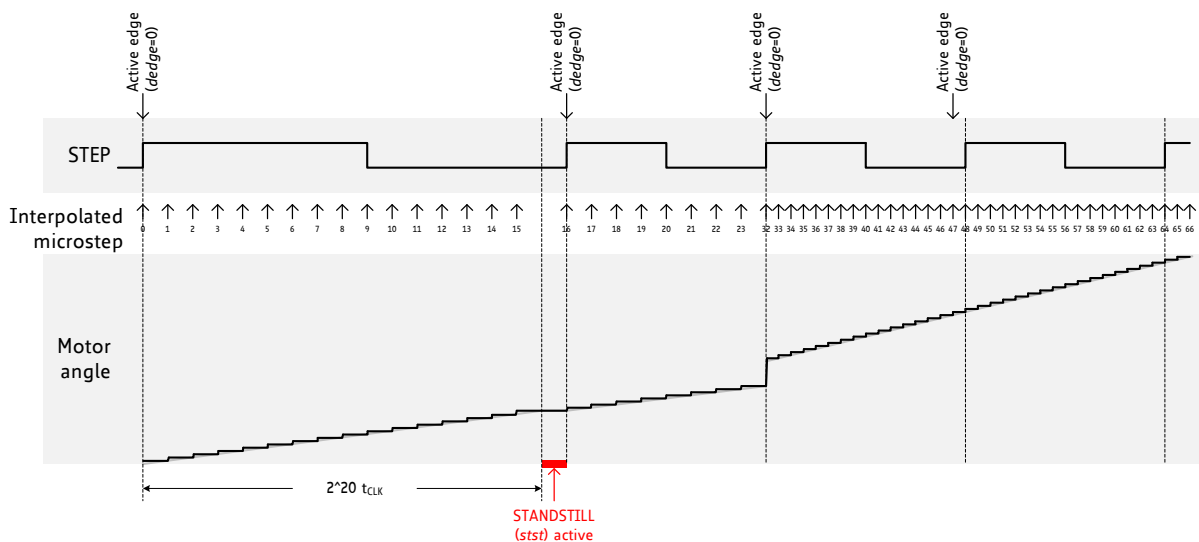


Figure 16.2 MicroPlyer microstep interpolation with rising STEP frequency (Example: 16 to 256)

In Figure 16.2, the first STEP cycle is long enough to set the standstill bit *stst*. This bit is cleared on the next STEP active edge. Then, the external STEP frequency increases. After one cycle at the higher rate MicroPlyer adapts the interpolated microstep rate to the higher frequency. During the last cycle at the slower rate, MicroPlyer did not generate all 16 microsteps, so there is a small jump in motor angle between the first and second cycles at the higher rate.

17 DIAG Outputs

Operation with a motion controller often requires quick reaction to certain states of the stepper motor driver. Therefore, the DIAG outputs supply a configurable set of different real time information complementing the STEP/DIR interface.

Both, the information available at DIAG0 and DIAG1 can be selected as well as the type of output (low active open drain – default setting, or high active push-pull). To determine a reset of the driver, DIAG0 always shows a power-on reset condition by pulling low during a reset condition. Figure 17.1 shows the available signals and control bits.

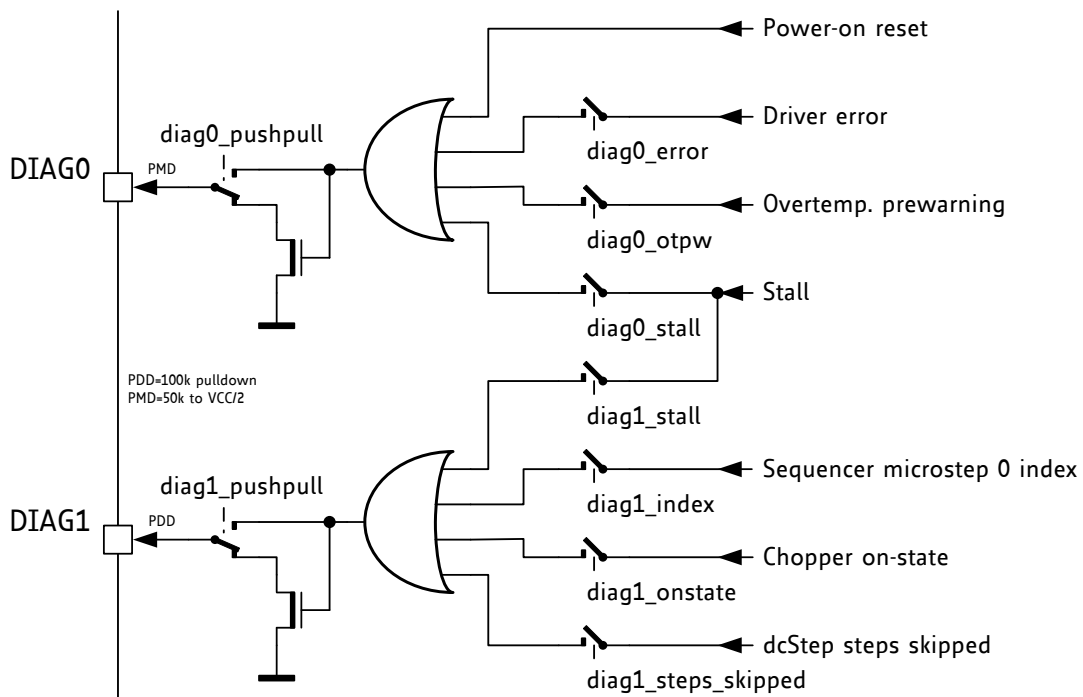


Figure 17.1 DIAG outputs in STEP/DIR mode

The stall output signal allows StallGuard2 to be handled by the external motion controller like a stop switch. The Stall signal becomes activated, when SG_RESULT goes to zero and at the same time the velocity condition $TSTEP \leq TCOOLTHRS$ is fulfilled. The index output signals the microstep counter zero position, to allow the application to reference the drive to a certain current pattern. Chopper on-state shows the on-state of both coil choppers (alternating) when working in SpreadCycle or constant off time in order to determine the duty cycle. The DcStep skipped information is an alternative way to find out when DcStep runs with a velocity below the step velocity. It toggles with each step not taken by the sequencer.

The duration of the index pulse corresponds to the duration of the microstep. When working without interpolation at less than 256 microsteps, the index time goes down to two CLK clock cycles.

18 DcStep

DcStep is an automatic commutation mode for the stepper motor. It allows the stepper to run with its target velocity as commanded by the step pulses as long as it can cope with the load. In case the motor becomes overloaded, it slows down to a velocity, where the motor can still drive the load. This way, the stepper motor never stalls and can drive heavy loads as fast as possible. Its higher torque available at lower velocity, plus dynamic torque from its flywheel mass allows compensating for mechanical torque peaks. In case the motor becomes completely blocked, the stall flag becomes set.

18.1 User Benefits

| | | |
|-----------------------------|--------------------------|-------------------------------------|
| dcStep™ ■■■■■■■■■ | <i>Motor</i> | - never loses steps |
| | <i>Application</i> | - works as fast as possible |
| | <i>Acceleration</i> | - automatically as high as possible |
| | <i>Energy efficiency</i> | - highest at speed limit |
| | <i>Cheaper motor</i> | - does the job! |

18.2 Designing-In DcStep

In a classical application, the operation area is limited by the maximum torque required at maximum application velocity. A safety margin of up to 50% torque is required, to compensate for unforeseen load peaks, torque loss due to resonance and aging of mechanical components. DcStep allows using up to the full available motor torque. Even higher short time dynamic loads can be overcome using motor and application flywheel mass without the danger of a motor stall. With DcStep the nominal application load can be extended to a higher torque only limited by the safety margin near the holding torque area (which is the highest torque the motor can provide). Additionally, maximum application velocity can be increased up to the actually reachable motor velocity.

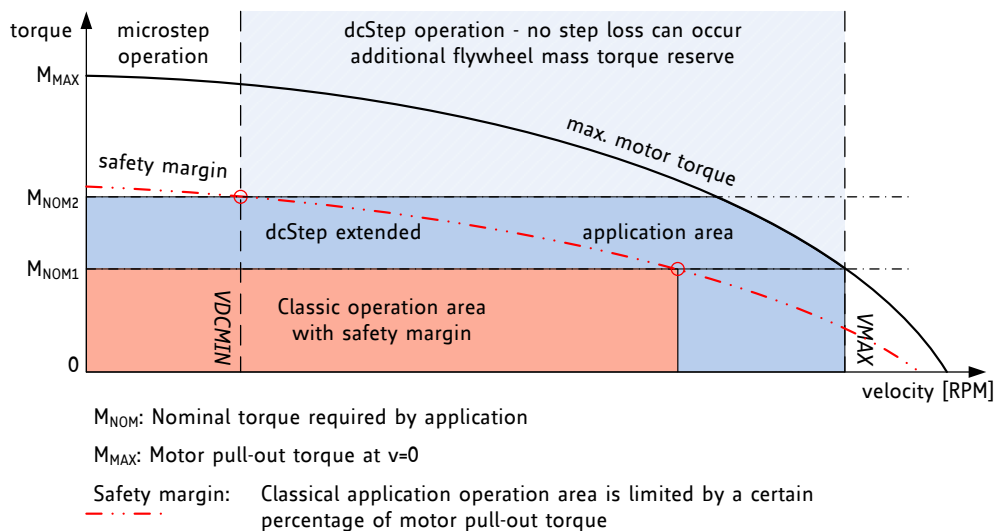


Figure 18.1 DcStep extended application operation area

Quick Start

For detail configuration procedure see Application Note AN003 - DcStep

DcStep requires only a few settings. It feeds back motor motion to the external ramp generator, so that it becomes seamlessly integrated into the motion ramp, even if the motor becomes overloaded with respect to the target velocity. DcStep operates the motor in fullstep mode at the target velocity or at reduced velocity if the motor becomes overloaded. It requires enforcing a minimum operation velocity either by the ramp generator or by $VDCMIN$. It shall be set to the lowest operating velocity where DcStep gives a reliable detection of motor operation. The motor never stalls unless it becomes braked to a velocity below $VDCMIN$. In case the velocity should fall below this value, the motor would restart once its load is released, unless the stall detection is used to stop the motor in this case. Stall detection is covered by StallGuard2.

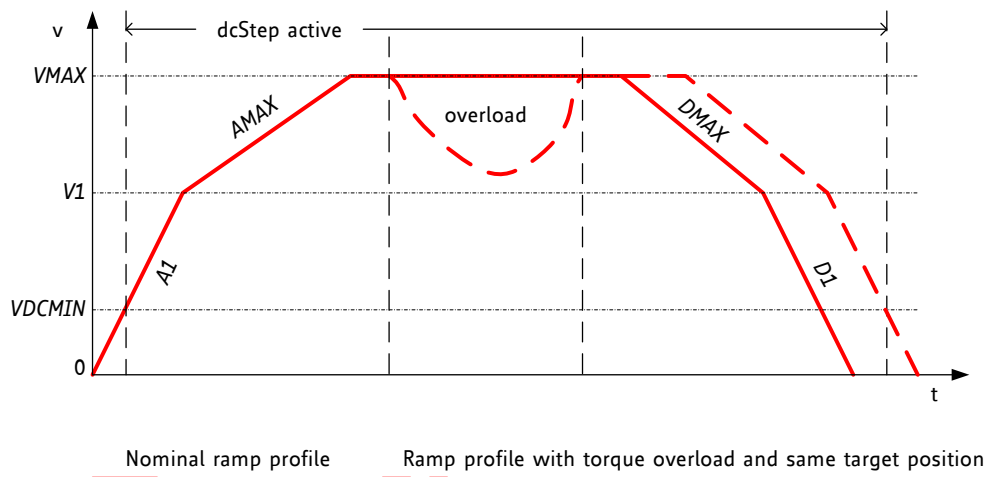


Figure 18.2 Velocity profile with impact by overload situation (example)

Attention

DcStep requires that the phase polarity of the sine wave is positive within the $MSCNT$ range 768 to 255 and negative within 256 to 767. The cosine polarity must be positive from 0 to 511 and negative from 512 to 1023. A phase shift by 1 would disturb DcStep operation. Therefore, it is advised to work with the default wave. Please refer chapter 19.2 for an initialization with the default table.

18.3 DcStep with STEP/DIR Interface

The TMC2130 provides two ways to use DcStep when interfaced to an external motion controller. The first way gives direct control of the DcStep step execution to the external motion controller, which must react to motor overload and is allowed to override a blocked motor situation. The second way assumes that the external motion controller cannot directly react to DcStep signals. The TMC2130 automatically reduces the motor velocity or stops the motor upon overload. To allow the motion controller to react to the reduced real motor velocity in this mode, the counter $LOST_STEPS$ gives the number of steps which have been commanded, but not taken by the motor controller. The motion controller can later on read out $LOST_STEPS$ and drive any missing number of steps. In case of a blocked motor, it tries moving it with the minimum velocity as programmed by $VDCMIN$.

Enabling DcStep automatically sets the chopper to constant TOFF mode with slow decay only. This way, no re-configuration is required when switching from microstepping mode to DcStep and back.

DcStep operation in STEP/DIR mode is controlled by three pins:

- DCEN – Forces the driver to DcStep operation if high. A velocity-based activation of DcStep is controlled by $TPWMTHRS$ when using StealthChop operation for low velocity settings. In this case, DcStep is disabled while in StealthChop mode, i.e., at velocities below the StealthChop switching velocity.

- DCO – Informs the motion controller when motor is not ready to take a new step (low level). The motion controller shall react by delaying the next step until DCO becomes high. The sequencer can buffer up to the effective number of microsteps per fullstep to allow the motion controller to react to assertion of DCO. In case the motor is blocked this wait situation can be terminated after a timeout by providing a long > 1024 clock STEP input, or via the internal *VDCMIN* setting.
- DCIN – Commands the driver to wait with step execution and to disable DCO. This input can be used for synchronization of multiple drivers operating with DcStep.

18.3.1 Using *LOST_STEPS* for DcStep Operation

This is the simplest possibility to integrate DcStep with a dedicated motion controller: the motion controller enables DcStep using DCEN or the internal velocity threshold. The TMC2130 tries to follow the steps. In case it needs to slow down the motor, it counts the difference between incoming steps on the STEP signal and steps going to the motor. The motion controller can read out the difference and compensate for the difference after the motion or on a cyclic basis. Figure 18.3 shows the principle (simplified).

In case the motor driver needs to postpone steps due to detection of a mechanical overload in DcStep, and the motion controller does not react to this by pausing the step generation, *LOST_STEPS* becomes incremented or decremented (depending on the direction set by DIR) with each step which is not taken. This way, the number of lost steps can be read out and executed later on or be appended to the motion. As the driver needs to slow down the motor while the overload situation persists, the application will benefit from a high microstepping resolution, because it allows more seamless acceleration or deceleration in DcStep operation. In case the application is completely blocked, *VDCMIN* sets a lower limit to the step execution. If the motor velocity falls below this limit, however an unknown number of steps is lost, and the motor position is not exactly known any more. DCIN allows for step synchronization of two drivers: it stops the execution of steps if low and sets DCO low.

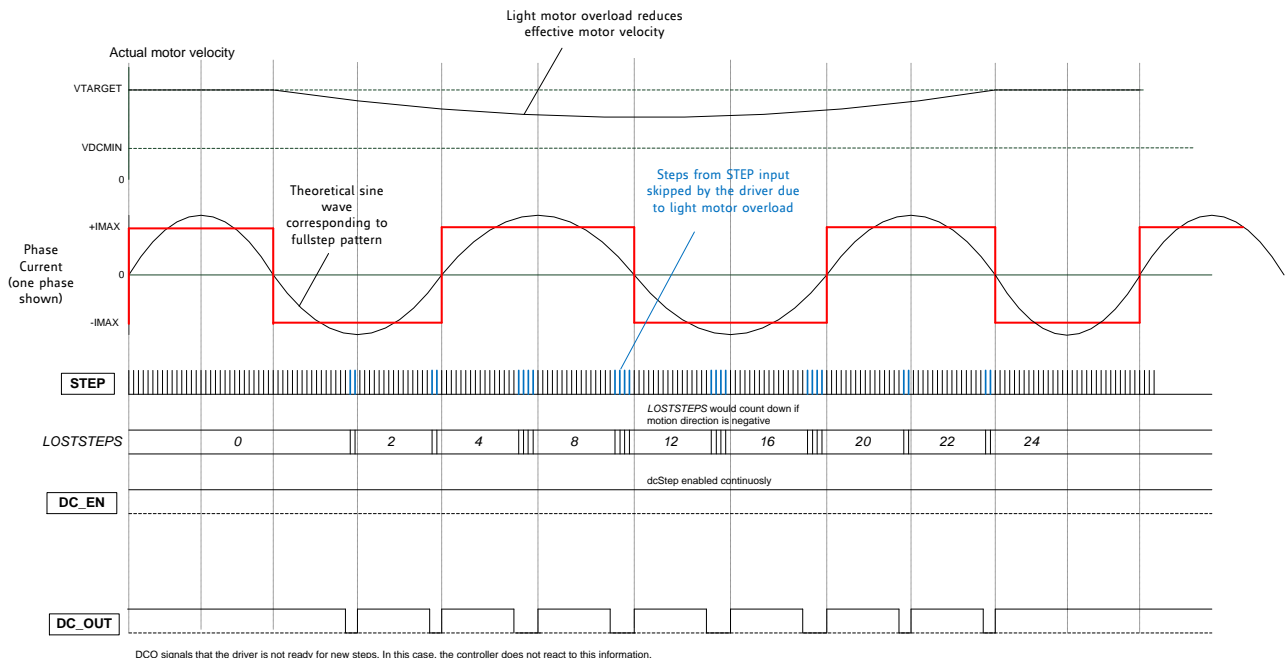


Figure 18.3 Motor moving slower than STEP input due to light overload. *LOSTSTEPS* incremented

18.3.2 DCO Interface to Motion Controller

DCEN enables DcStep. It is up to the connected motion controller to enable DcStep either, once a minimum step velocity is exceeded within the motion ramp, or to use the automatic threshold *VDCMIN* for DcStep enable.

The STEP/DIR interface works in microstep resolution, even if the internal step execution is based on fullstep. This way, no switching to a different mode of operation is required within the motion controller. The DcStep output DCO signals if the motor is ready for the next step based on the DcStep measurement of the motor. If the motor has not yet mechanically taken the last step, this step cannot be executed, and the driver stops automatically before execution of the next fullstep. This situation is signaled by DCO. The external motion controller shall stop step generation if DCO is low and wait until it becomes high again. Figure 18.5 shows this principle. The driver buffers steps during the waiting period up to the number of microstep setting minus one. In case, DCO does not go high within the lower step limit time e.g., due to a severe motor overload, a step can be enforced: override the stop status by a long STEP pulse with min. 1024 system clocks length. When using internal clock, a pulse length of minimum 125µs is recommended.

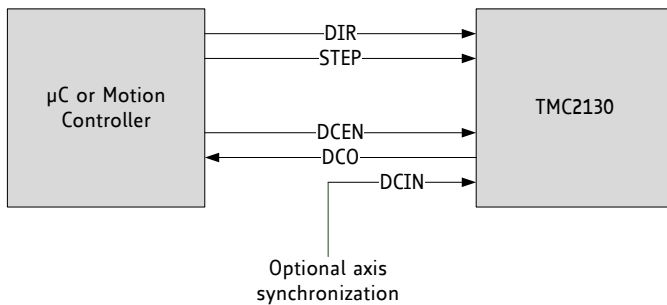


Figure 18.4 Full signal interconnection for DcStep

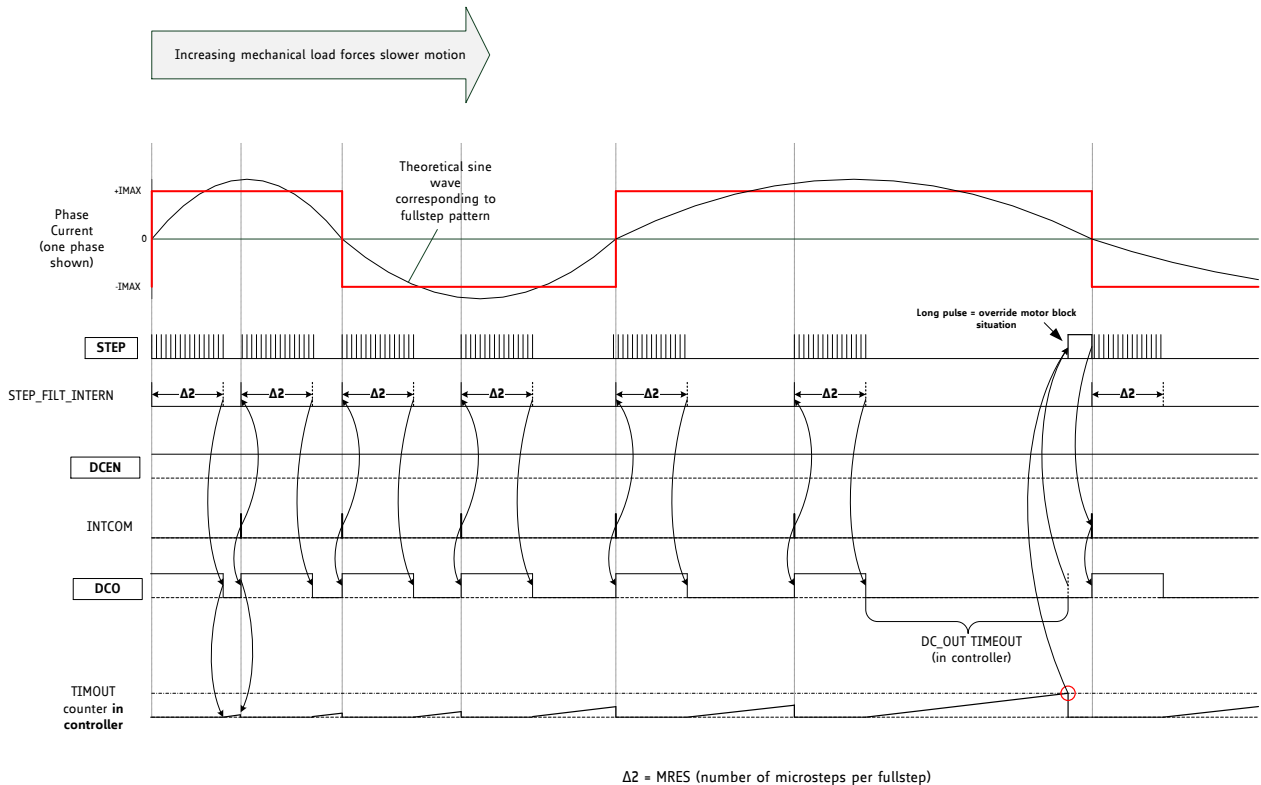


Figure 18.5 DCO Interface to motion controller – step generator stops when DCO is asserted

18.4 Stall Detection in DcStep Mode

While DcStep is able to decelerate the motor upon overload, it cannot avoid a stall in every operation situation. Once the motor is blocked, or it becomes decelerated below a motor dependent minimum velocity where the motor operation cannot safely be detected any more, the motor may stall and loose steps. To safely detect a step loss and avoid restarting of the motor, monitor the stall output signal for stall detection. A StallGuard2 load value also is available during DcStep operation. The range of values is limited to 0 to 255, in certain situations up to 511 will be read out. To enable StallGuard, also set *TCOOLTHRS* corresponding to a velocity slightly above *VDCMIN* or up to *VMAX*.

Stall detection in this mode may trigger falsely due to resonances when flywheel loads are loosely coupled to the motor axis.

| Parameter | Description | Range | Comment |
|----------------------------------|---|----------------------|--|
| <i>vhighfs</i> & <i>vhighchm</i> | These chopper configuration flags in <i>CHOPCONF</i> need to be set for DcStep operation. As soon as <i>VDCMIN</i> becomes exceeded, the chopper becomes switched to fullstepping. | 0 / 1 | set to 1 for DcStep |
| <i>TOFF</i> | DcStep often benefits from an increased off time value in <i>CHOPCONF</i> . Settings >2 should be preferred. | 2... 15 | Settings 8...15 do not make any difference to setting 8 for DcStep operation. |
| <i>VDCMIN</i> | In case the external motion controller cannot provide the lower DcStep velocity, this register may be used to enforce start/restart of a blocked motor. In DcStep operation, the motor operates at minimum <i>VDCMIN</i> even when it is completely blocked. Tune together with <i>DC_TIME</i> setting. Activation of StealthChop also disables DcStep. | 0... 2 ²² | 0: Disable Set to the low velocity limit for DcStep operation if desired. |
| <i>DC_TIME</i> | This setting controls the reference pulse width for DcStep load measurement. It must be optimized for robust operation with maximum motor torque. A higher value allows higher torque and higher velocity, a lower value allows operation down to a lower velocity as set by <i>VDCMIN</i> . Check best setting under nominal operation conditions, and re-check under extreme operating conditions (e.g. lowest operation supply voltage, highest motor temperature, and highest supply voltage, lowest motor temperature). | 0... 1023 | Lower limit for the setting is: t_{BLANK} (as defined by <i>TBL</i>) in clock cycles + <i>n</i> with <i>n</i> in the range 1 to 100 (for a typical motor) |
| <i>DC_SG</i> | This setting controls stall detection in DcStep mode. A stall can be used as an error condition by issuing a hard stop for the motor. The stall detection is available as a pulse on <i>DIAG0</i> or <i>DIAG1</i> output. | 0... 255 | Set slightly higher than $DC_TIME / 16$ |

19 Sine-Wave Look-up Table

The TMC2130 provides a programmable look-up table for storing the microstep current wave. As a default, the table is pre-programmed with a sine wave, which is a good starting point for most stepper motors. Reprogramming the table to a motor specific wave allows drastically improved microstepping especially with low-cost motors.

19.1 User Benefits

- Microstepping* – extremely improved with low-cost motors
- Motor* – runs smooth and quiet
- Torque* – reduced mechanical resonances yields improved torque

19.2 Microstep Table

To minimize required memory and the amount of data to be programmed, only a quarter of the wave becomes stored. The internal microstep table maps the microstep wave from 0° to 90°. It becomes symmetrically extended to 360°. When reading out the table the 10-bit microstep counter *MSCNT* addresses the fully extended wave table. The table is stored in an incremental fashion, using each one bit per entry. Therefore only 256 bits (*ofs00* to *ofs255*) are required to store the quarter wave. These bits are mapped to eight 32-bit registers. Each *ofs* bit controls the addition of an inclination *W_x* or *W_{x+1}* when advancing one step in the table. When *W_x* is 0, a 1 bit in the table at the actual microstep position means "add one" when advancing to the next microstep. As the wave can have a higher inclination than 1, the base inclinations *W_x* can be programmed to -1, 0, 1, or 2 using up to four flexible programmable segments within the quarter wave. This way even a negative inclination can be realized. The four inclination segments are controlled by the position registers *X1* to *X3*. Inclination segment 0 goes from microstep position 0 to *X1-1* and its base inclination is controlled by *W0*, segment 1 goes from *X1* to *X2-1* with its base inclination controlled by *W1*, etc.

When modifying the wave, care must be taken to ensure a smooth and symmetrical zero transition when the quarter wave becomes expanded to a full wave. The maximum resulting swing of the wave should be adjusted to a range of -248 to 248, to give the best possible resolution while leaving headroom for the hysteresis-based chopper to add an offset.

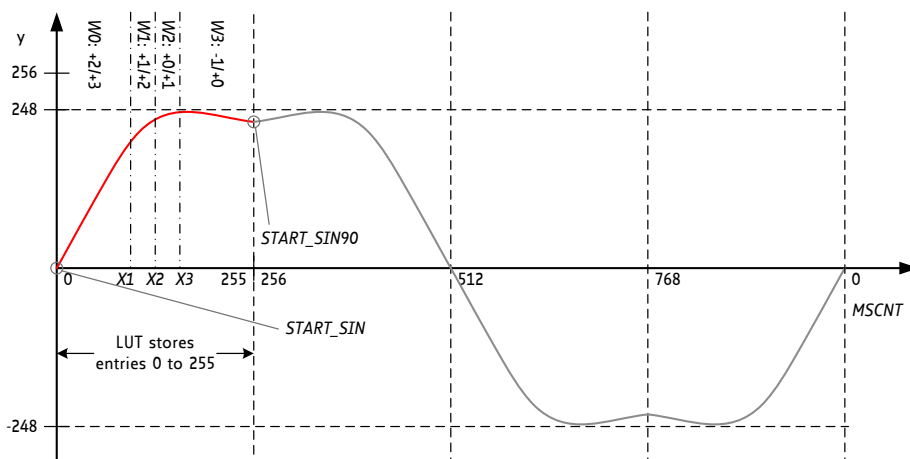


Figure 19.1 LUT programming example

When the microstep sequencer advances within the table, it calculates the actual current values for the motor coils with each microstep and stores them to the registers *CUR_A* and *CUR_B*. However, the incremental coding requires an absolute initialization, especially when the microstep table becomes modified. Therefore *CUR_A* and *CUR_B* become initialized whenever *MSCNT* passes zero.

Two registers control the starting values of the tables:

- As the starting value at zero is not necessarily 0 (it might be 1 or 2), it can be programmed into the starting point register *START_SIN*.
- In the same way, the start of the second wave for the second motor coil needs to be stored in *START_SIN90*. This register stores the resulting table entry for a phase shift of 90° for a 2-phase motor.

Hint

Refer chapter 5.5 for the register set. The default table is a good base for realizing an own table. The TMC2130-EVAL comes with a calculation tool for own waves.

Initialization example for the reset default microstep table:

```
MSLUT[0]= %1010101010101010101010101010100 = 0xAAAAB554
MSLUT[1]= %01001010100101010101010010101010 = 0x4A9554AA
MSLUT[2]= %0010010001001001001001001001001 = 0x24492929
MSLUT[3]= %00010000000100000100001000100010 = 0x10104222
MSLUT[4]= %11111011111111111111111111111111 = 0xFBFFFFFF
MSLUT[5]= %10110101101110110111011101111101 = 0xB5BB777D
MSLUT[6]= %01001001001010010101010101010110 = 0x49295556
MSLUT[7]= %00000000010000000100001000100010 = 0x00404222
```

```
MSLUTSEL= 0xFFFF8056:
X1=128, X2=255, X3=255
W3=%01, W2=%01, W1=%01, W0=%10
```

```
MSLUTSTART= 0x00F70000:
START_SIN_0= 0, START_SIN90= 247
```

20 Emergency Stop

The driver provides a negative active enable pin ENN to safely switch off all power MOSFETs. This allows putting the motor into freewheeling. Further, it is a safe hardware function whenever an emergency stop not coupled to software is required. Some applications may require the driver to be put into a state with active holding current or with a passive braking mode. This is possible by programming the pin DCIN to act as a step disable function. Set GCONF flag *stop_enable* to activate this option. Whenever DCIN becomes pulled high, the motor will stop abruptly and go to the power down state, as configured via *IHOLD*, *IHOLD_DELAY* and StealthChop standstill options. Please be aware, that disabling the driver via ENN will require three clock cycles to safely switch off the driver. In case the external CLK fails, it is not safe to disable ENN. In this case, the driver should be reset, i.e., by switching off VCC_IO.

21 DC Motor or Solenoid

The TMC2130 can drive one or two DC motors using one coil output per DC motor. Either a torque limited operation, or a voltage-based velocity control with optional torque limit is possible.

CONFIGURATION AND CONTROL

Set the flag *direct_mode* in the *GCONF* register. In direct mode, the coil current polarity and coil current, respectively the PWM duty cycle become controlled by register *XDIRECT* (0x2D). Bits 8..0 control motor A and Bits 24..16 control motor B PWM. Additionally, to this setting, the current limit is scaled by *IHOLD*. The STEP/DIR inputs are not used in this mode. In SpreadCycle mode, limit the amplitude of current A and current B setting to keep sufficient regulation margin for the hysteresis regulator. A range of +248 is safe for *IHOLD* settings up to 31 at hysteresis settings not exceeding 15.

PWM DUTY CYCLE VELOCITY CONTROL

To operate the motor at different velocities, use the StealthChop voltage PWM mode in the following configuration:

en_pwm_mode = 1, *pwm_autoscale* = 0, *PWM_AMPL* = 255, *PWM_GRAD* = 4, *IHOLD* = 31

Set *TOFF* > 0 to enable the driver.

In this mode the driver behaves like a 4-quadrant power supply. The direct mode setting of PWM A and PWM B using *XDIRECT* controls motor voltage, and thus the motor velocity. Setting the corresponding PWM bits between -255 and +255 (signed, two's complement numbers) will vary motor voltage from -100% to 100%. With *pwm_autoscale* = 0, current sensing is not used, and the sense resistors should be eliminated or be 150mΩ or less to avoid excessive voltage drop when the motor becomes heavily loaded up to 2.5A. Especially for higher current motors, make sure to slowly accelerate and decelerate the motor to avoid overcurrent or triggering driver overcurrent detection.

To activate optional motor freewheeling, set *IHOLD* = 0 and *FREEWHEEL* = %01.

ADDITIONAL TORQUE LIMIT

In order to additionally take advantage of the motor current limitation (and thus torque-controlled operation) in StealthChop mode, use automatic current scaling (*pwm_autoscale* = 1). The actual current limit is given by *IHOLD* and scaled by the respective motor PWM amplitude, e.g., PWM = 128 yields in 50% motor velocity and 50% of the current limit set by *IHOLD*. In case two DC motors are driven in voltage PWM mode, note that the automatic current regulation will work only for the motor which has the higher absolute PWM setting. The PWM of the second motor also will be scaled down in case the motor with higher PWM setting reaches its current limitation.

PURELY TORQUE LIMITED OPERATION

For a purely torque limited operation of one or two motors, SpreadCycle chopper individually regulates motor current for both full bridge motor outputs. When using SpreadCycle, the upper motor velocity is limited by the supply voltage only (or as determined by the load on the motor).

21.1 Solenoid Operation

The same way, one or two solenoids (magnetic coil actuators) can be operated using SpreadCycle chopper. For solenoids, it is often desired to have an increased current for a short time after switching on and reduce the current once the magnetic element has switched. This is automatically possible by taking advantage of the automatic current scaling (*IRUN*, *IHOLD*, *IHOLDDELAY* and *TPOWERDOWN*). The current scaling in *direct_mode* is still active but will not be triggered if no step impulse is supplied. Therefore, a step impulse must be given to the STEP input whenever one of the coils shall be switched on. This will increase the current for both coils at the same time.

22 Quick Configuration Guide

This guide is meant as a practical tool to come to a first configuration and do a minimum set of measurements and decisions for tuning the TMC2130. It does not cover all advanced functionalities but concentrates on the basic function set to make a motor run smoothly. Once the motor runs, you may decide to explore additional features, e.g., freewheeling, and further functionality in more detail. A current probe on one motor coil is a good aid to find the best settings, but it is not a must.

CURRENT SETTING AND FIRST STEPS WITH STEALTHCHOP

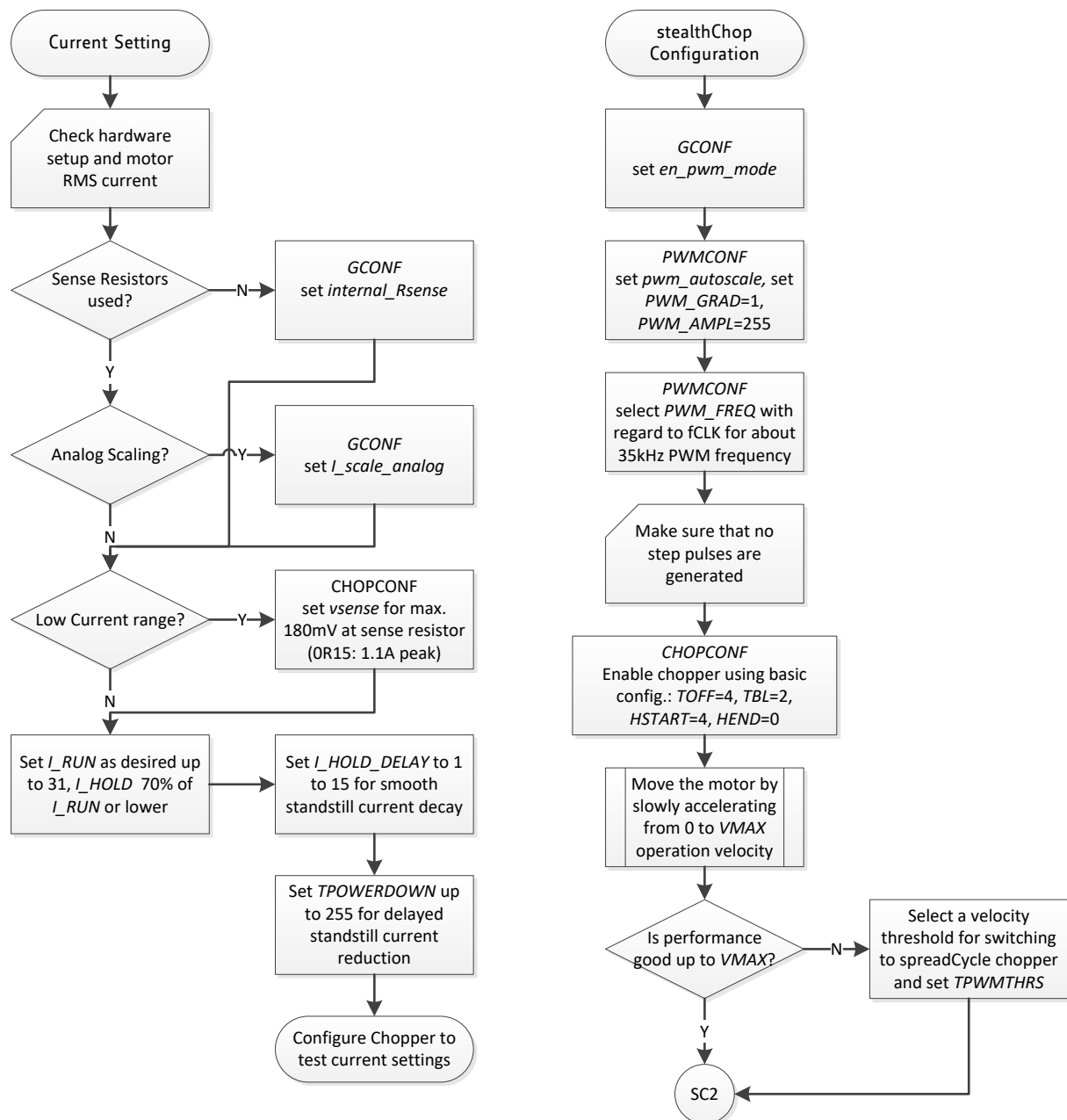


Figure 22.1 Current setting and first steps with StealthChop

TUNING STEALTHCHOP AND SPREADCYCLE

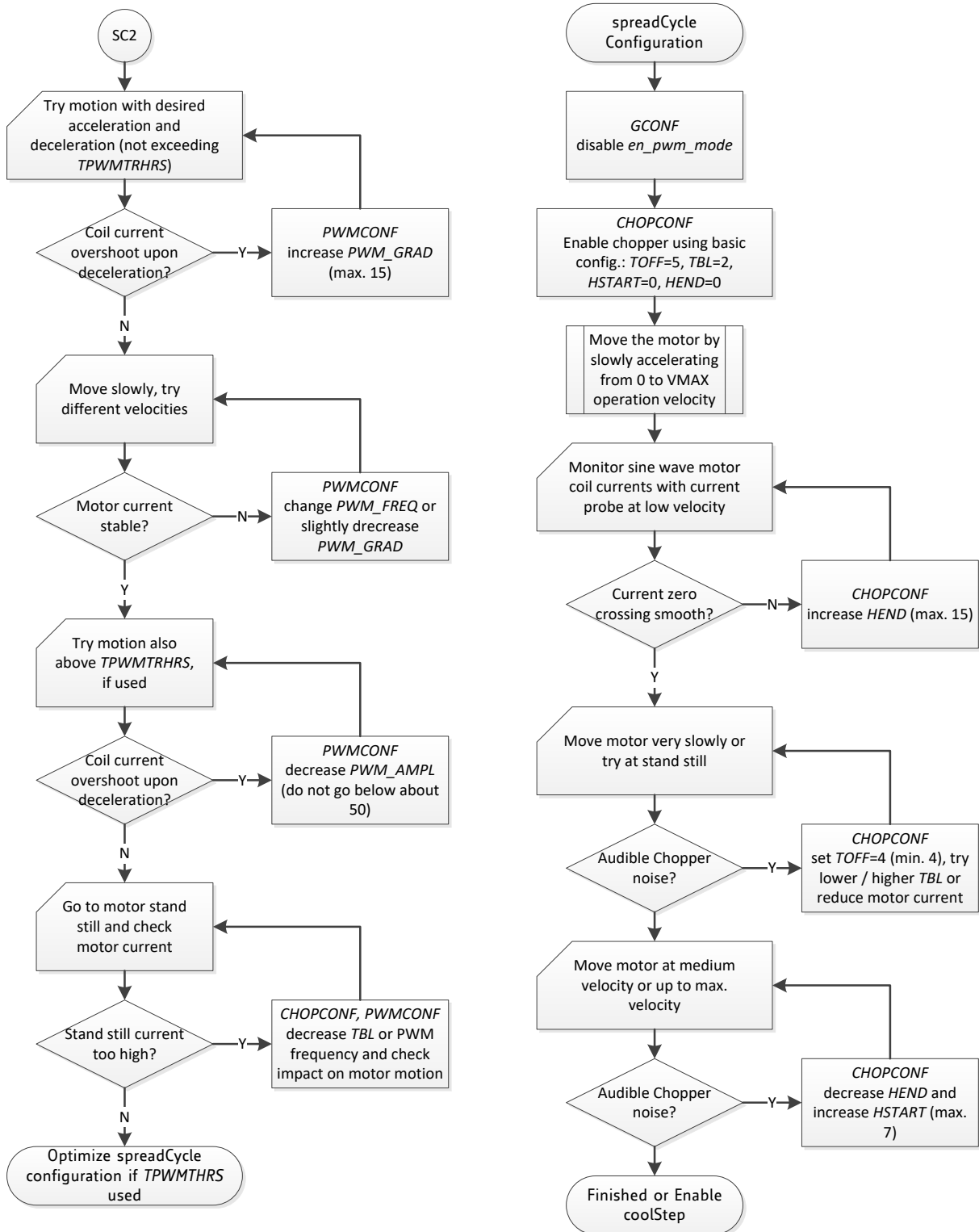


Figure 22.2 Tuning StealthChop and SpreadCycle

ENABLING COOLSTEP (ONLY IN COMBINATION WITH SPREADCYCLE)

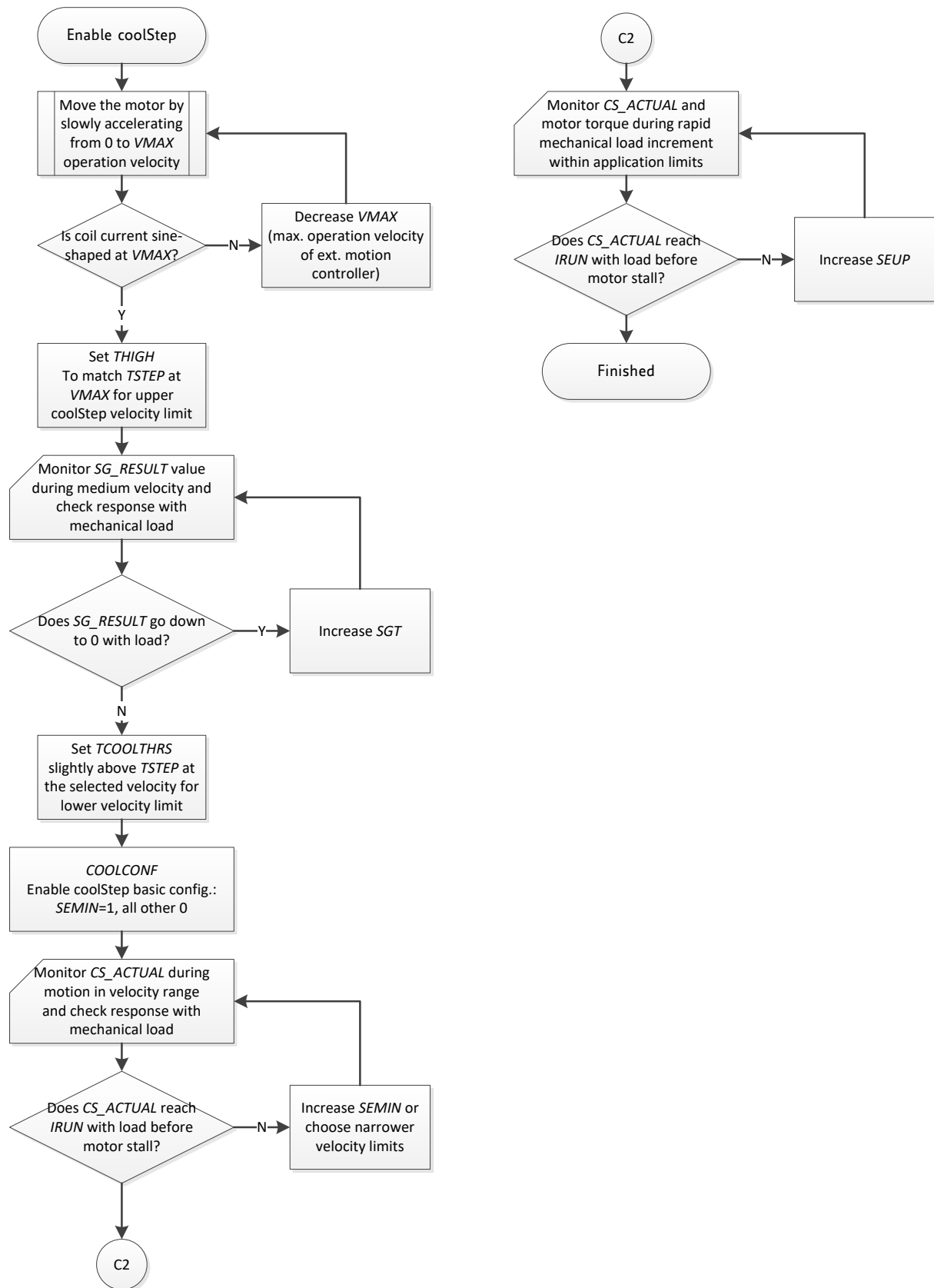


Figure 22.3 Enabling CoolStep (only in combination with SpreadCycle)

23 Getting Started

Please refer to the TMC2130 evaluation board to allow a quick start with the device and in order to allow interactive tuning of the device setup in your application. It will guide you through the process of correctly setting up all registers. The following example gives a minimum set of accesses allowing moving a motor.

23.1 Initialization Example

SPI datagram example sequence to enable the driver for step and direction operation and initialize the chopper for SpreadCycle operation and for StealthChop at <30 RPM:

```
SPI send: 0xEC000100C3; // CHOPCONF: TOFF=3, HSTRT=4, HEND=1, TBL=2, CHM=0 (SpreadCycle)
SPI send: 0x9000061F0A; // IHOLD_IRUN: IHOLD=10, IRUN=31 (max. current), IHOLDDELAY=6
SPI send: 0x910000000A; // TPOWERDOWN=10: Delay before power down in stand still
SPI send: 0x8000000004; // EN_PWM_MODE=1 enables StealthChop (with default PWMCONF)
SPI send: 0x93000001F4; // TPWM_THRS=500 yields a switching velocity about 35000 = ca. 30RPM
SPI send: 0xF0000401C8; // PWMCONF: AUTO=1, 2/1024 Fclk, Switch amplitude limit=200, Grad=1
```

Hint

Tune the configuration parameters for your motor and application for optimum performance.

| CFG1 AND CFG2: SETS MICROSTEP RESOLUTION FOR STEP INPUT | | | | | |
|---|--------|-----------------|-----------------------|--------------|--|
| CFG2, | CFG1 | Microsteps | Interpolation | Chopper Mode | Registers |
| GND, | GND | 1 (Fullstep) | N | SpreadCycle | <i>MRES=8, intpol=0</i> |
| GND, | VCC_IO | 2 (Halfstep) | N | | <i>MRES=7, intpol=0</i> |
| GND, | open | 2 (Halfstep) | Y, to 256 μ steps | | <i>MRES=7, intpol=1</i> |
| VCC_IO, | GND | 4 (Quarterstep) | N | | <i>MRES=6, intpol=0</i> |
| VCC_IO, | VCC_IO | 16 μ steps | N | | <i>MRES=4, intpol=0</i> |
| VCC_IO, | open | 4 (Quarterstep) | Y, to 256 μ steps | | <i>MRES=6, intpol=1</i> |
| open, | GND | 16 μ steps | Y, to 256 μ steps | StealthChop | <i>MRES=4, intpol=1</i> |
| open, | VCC_IO | 4 (Quarterstep) | Y, to 256 μ steps | | <i>MRES=6, intpol=1, en_PWM_mode=1</i> |
| open, | open | 16 μ steps | Y, to 256 μ steps | | <i>MRES=4, intpol=1, en_PWM_mode=1</i> |

| CFG3: SETS MODE OF CURRENT SETTING | | |
|------------------------------------|---|--------------------------|
| CFG3 | Current Setting | Registers |
| GND | Internal reference voltage. Current scale set by sense resistors, only. | |
| VCC_IO | Internal sense resistors. Use analog input current on AIN as reference current for internal sense resistor. This setting gives best results when combined with StealthChop voltage PWM chopper. | <i>internal_Rsense=1</i> |
| open | External reference voltage on pin AIN. Current scale set by sense resistors and scaled by AIN. | <i>I_scale_analog=1</i> |

| CFG4: SETS CHOPPER HYSTERESIS (TUNING OF ZERO CROSSING PRECISION) | | |
|---|--|----------------|
| CFG4 | HEND Setting | Registers |
| GND | 5 (recommended, most universal choice) | <i>HEND=7</i> |
| VCC_IO | 9 | <i>HEND=11</i> |
| open | 13 | <i>HEND=15</i> |

| CFG5: SETS CHOPPER BLANK TIME (DURATION OF BLANKING OF SWITCHING SPIKE) | | |
|---|---|----------------|
| CFG5 | Blank time (in number of clock cycles) | Registers |
| GND | 16 | <i>TBL=%00</i> |
| VCC_IO | 24 (recommended, most universal choice) | <i>TBL=%01</i> |
| open | 36 | <i>TBL=%10</i> |

| CFG6_ENN: ENABLE PIN AND CONFIGURATION OF STANDSTILL POWER DOWN | | | |
|---|---------------------|--|---------------------------------|
| CFG6 | Motor driver enable | Standstill power down | Registers |
| GND | Enable | N | IRUN=31, IHOLD=31 |
| VCC_IO | Disable | - (Driver disable) | |
| open | Enable | Y, ramp down from 100% to 34% motor current in 44M clock cycles (3 to 4 seconds) if no step pulse for more than 1M clock cycles (standstill). In combination with StealthChop, be sure not to work with too low overall current setting, as regulation will not be able to measure the motor current after stand still current reduction. This will result in very low motor current after the stand-still period. | IRUN=31, IHOLD=11, IHOLDDELAY=8 |

While the parameters for SpreadCycle can be configured for good microstep performance, StealthChop mode is configured with its power on default values ($PWMCONF=0x00050480$):

```
fPWM=2/683 fCLK (i.e. roughly 38kHz with internal clock)
pwm_autoscale=1
PWM_GRAD=4
PWM_AMPL=128
```

CFG0 and CFG4 settings do not influence the StealthChop configuration. This way, it is even possible to switch between SpreadCycle and StealthChop mode by simply switching CFG1 and CFG2.

Hint

Be sure to allow the motor to rest for at least 100ms (assuming a minimum of 10MHz f_{CLK}) before starting a motion using StealthChop. This will allow the current regulation to set the initial motor current.

Example:

It is desired to do small motions in smooth and noiseless StealthChop mode. For quick motions, SpreadCycle is to be used. The controller can deliver 1/16 microstep step signals. Tie together CFG1 and CFG2 and drive them with a three-state driver. Switch both to VCC_IO to operate in SpreadCycle, switch them to hi-Z (open) state for a motion in StealthChop.

25 Power-Up Reset

The chip is loaded with default values during power-up via its internal power-on reset. It will also reset to power-up defaults in case any of the supply voltages monitored by internal reset circuitry (VSA, +5VOUT or VCC_IO) falls below the undervoltage threshold. VCC is not monitored. Therefore, VCC must not be lost during operation of the chip. In case of a microcontroller software re-boot, disable the driver ($TOFF=0$), re-initialize all registers used by the software and stop any motion in progress by slowing down the ramp generator. A hardware reset requires cycling VCC_IO while keeping all digital inputs at a low level at the same time. Actively drive VCC_IO to a low level to ensure that it falls below the lower reset threshold. Current consumed from VCC_IO is low and therefore it has simple driving requirements. Due to the input protection diodes not allowing the digital inputs to rise above VCC_IO level, any active high input would hinder VCC_IO from going down.

26 Clock Oscillator and Input

The clock is the timing reference for all functions: the chopper and the velocity thresholds. Many parameters are scaled with the clock frequency. Thus, a precise reference allows a more deterministic result. The on-chip clock oscillator provides timing in case no external clock is easily available.

USING THE INTERNAL CLOCK

Directly tie the CLK input to GND near to the IC if the internal clock oscillator is to be used. For best precision, the internal clock can be calibrated by reading out $TSTEP$ at a defined external step frequency. It is easiest to use 1 kHz microstep frequency. With this, $TSTEP$ shows the number of internal clock cycles per millisecond, i.e., $TSTEP=1200$ means that f_{CLK} is 12 MHz in the actual IC. Scale velocity thresholds, $TOFF$ and PWM_FREQ based on the determined frequency. Temperature dependency and ageing of the internal clock is comparatively low.

In case well defined velocity settings and precise motor chopper operation are desired, it is supposed to work with an external clock source.

USING AN EXTERNAL CLOCK

When an external clock is available, a frequency of 10 MHz to 16 MHz is recommended for optimum performance. The duty cycle of the clock signal is uncritical, as long as minimum high or low input time for the pin is satisfied (refer to electrical characteristics). Up to 18 MHz can be used, when the clock duty cycle is 50%. Make sure, that the clock source supplies clean CMOS output logic levels and steep slopes when using a high clock frequency. The external clock input is enabled with the first positive polarity seen on the CLK input.

Attention

Switching off the external clock source prevents the driver from operating normally. Therefore, be careful to switch off the motor drivers before switching off the clock (e.g., using the enable input), because otherwise the chopper would stop, and the motor current level could rise uncontrolled. The short to GND detection stays active even without clock, if enabled.

26.1 Considerations on the Frequency

A higher frequency allows faster step rates, faster SPI operation and higher chopper frequencies. On the other hand, it may cause more electromagnetic emission of the system and causes more power dissipation in the TMC2130 digital core and voltage regulator. Generally, a frequency of 10 MHz to 16 MHz should be sufficient for most applications. For reduced requirements concerning the motor dynamics, a clock frequency of down to 8 MHz (or even lower) can be considered.

27 Absolute Maximum Ratings

The maximum ratings may not be exceeded under any circumstances. Operating the circuit at or near more than one maximum rating at a time for extended periods shall be avoided by application design.

| Parameter | Symbol | Min | Max | Unit |
|---|-------------------|------|---------------|------|
| Supply voltage operating with inductive load ($V_{VS} \geq V_{VSA}$) | V_{VS}, V_{VSA} | -0.5 | 49 | V |
| Supply and bridge voltage max. *) | V_{VMAX} | | 50 | V |
| VSA when different from to VS | V_{VSA} | -0.5 | $V_{VS}+0.5$ | V |
| I/O supply voltage | V_{VIO} | -0.5 | 5.5 | V |
| digital VCC supply voltage (if not supplied by internal regulator) | V_{VCC} | -0.5 | 5.5 | V |
| Logic input voltage | V_I | -0.5 | $V_{VIO}+0.5$ | V |
| Maximum current to / from digital pins and analog low voltage I/Os | I_{IO} | | +/-10 | mA |
| 5V regulator output current (internal plus external load) | I_{5VOUT} | | 50 | mA |
| 5V regulator continuous power dissipation ($(V_{VM}-5V) * I_{5VOUT}$) | P_{5VOUT} | | 1 | W |
| Power bridge repetitive output current | I_{Ox} | | 3.0 | A |
| Junction temperature | T_J | -50 | 150 | °C |
| Storage temperature | T_{STG} | -55 | 150 | °C |
| ESD-Protection for interface pins (Human body model, HBM) | V_{ESDAP} | | 4 | kV |
| ESD-Protection for handling (Human body model, HBM) | V_{ESD} | | 1 | kV |

*) Stray inductivity of GND and VS connections will lead to ringing of the supply voltage when driving an inductive load. This ringing results from the fast switching slopes of the driver outputs in combination with reverse recovery of the body diodes of the output driver MOSFETs. Even small trace inductivities as well as stray inductivity of sense resistors can easily generate a few volts of ringing leading to temporary voltage overshoot. This should be considered when working near the maximum voltage.

28 Electrical Characteristics

28.1 Operational Range

| Parameter | Symbol | Min | Max | Unit |
|--|-------------------------------------|------|------------|------|
| Junction temperature | T_J | -40 | 125 | °C |
| Supply voltage (using internal +5V regulator) | V_{VS}, V_{VSA} | 5.5 | 46 | V |
| Supply voltage (internal +5V regulator bridged: $V_{VCC}=V_{VSA}=V_{VS}$) | V_{VS} | 4.7 | 5.4 | V |
| I/O supply voltage | V_{VIO} | 3.00 | 5.25 | V |
| VCC voltage (supplies digital logic and charge pump) | V_{VCC} | 4.6 | 5.25 | V |
| RMS motor coil current per coil (value for design guideline) for QFN36 5x6 package resp. TQFP-48 package | $I_{RMS-QFN36}$ $I_{RMS-TQFP48}$ | | 1.2 1.4 | A |
| Peak output current per motor coil output (sine wave peak) using external or internal current sensing | I_{Ox} | | 2.0 | A |
| Peak output current per motor coil output (sine wave peak) for short term operation. Limit $T_J \leq 105^\circ\text{C}$, e.g. for 100ms short time acceleration phase below 50% duty cycle. | I_{Ox} | | 2.5 | A |

28.2 DC and Timing Characteristics

DC characteristics contain the spread of values guaranteed within the specified supply voltage range unless otherwise specified. Typical values represent the average value of all parts measured at +25°C. Temperature variation also causes stray to some values. A device with typical values will not leave Min/Max range within the full temperature range.

| Power supply current | | DC-Characteristics | | | | |
|---|-------------------|---|-----|------|-----|--------|
| V _{VS} = V _{VSA} = 24.0V | | | | | | |
| Parameter | Symbol | Conditions | Min | Typ | Max | Unit |
| Total supply current, driver disabled I _{VS} + I _{VSA} + I _{VCC} | I _S | f _{CLK} =16MHz | | 15 | 22 | mA |
| Total supply current, operating, I _{VS} + I _{VSA} + I _{VCC} | I _S | f _{CLK} =16MHz, 23.4kHz chopper, no load | | 19 | | mA |
| Idle supply current from VS, charge pump operating | I _{VSO} | f _{CLK} =0Hz, driver disabled | | 0.25 | 0.5 | mA |
| Static supply current from VSA with VCC supplied by 5VOUT | I _{VSA0} | f _{CLK} =0Hz, includes VCC supply current | 1.4 | 2 | 3 | mA |
| Supply current, driver disabled, dependency on CLK frequency | I _{VCCx} | f _{CLK} variable, additional to I _{VSA0} | | 0.8 | | mA/MHz |
| Internal current consumption from 5V supply on VCC pin | I _{VCC} | f _{CLK} =16MHz, 23.4kHz chopper | | 16 | | mA |
| IO supply current (typ. at 5V) | I _{VIO} | no load on outputs, inputs at V _{IO} or GND Excludes pullup / pull-down resistors | | 15 | 30 | μA |

| Motor driver section | | DC- and Timing-Characteristics | | | | |
|-----------------------------------|---------------------|---|-----|-----|-----|------|
| V _{VS} = 24.0V | | | | | | |
| Parameter | Symbol | Conditions | Min | Typ | Max | Unit |
| RDS _{ON} lowside MOSFET | R _{ONL} | measure at 100mA, 25°C, static state | | 0.4 | 0.5 | Ω |
| RDS _{ON} highside MOSFET | R _{ONH} | measure at 100mA, 25°C, static state | | 0.5 | 0.6 | Ω |
| slope, MOSFET turning on | t _{SLPON} | measured at 700mA load current (resistive load) | 50 | 120 | 220 | ns |
| slope, MOSFET turning off | t _{SLPOFF} | measured at 700mA load current (resistive load) | 50 | 120 | 220 | ns |
| Current sourcing, driver off | I _{OIDLE} | O _{XX} pulled to GND | 120 | 180 | 250 | μA |

| Charge pump | | DC-Characteristics | | | | |
|--|----------------------|---|-----|--------------------------|------------------|------|
| Parameter | Symbol | Conditions | Min | Typ | Max | Unit |
| Charge pump output voltage | V _{VCP-VVS} | operating, typical f _{chop} <40kHz | 4.0 | V _{VCC} - 0.3 | V _{VCC} | V |
| Charge pump voltage threshold for undervoltage detection | V _{VCP-VVS} | using internal 5V regulator voltage | 3.3 | 3.6 | 3.8 | V |
| Charge pump frequency | f _{CP} | | | 1/16 f _{CLKOSC} | | |

| Linear regulator | | DC-Characteristics | | | | |
|--|------------------|---|------|-------|--------|----------|
| | | $V_{VS} = V_{VSA} = 24.0V$ | | | | |
| Parameter | Symbol | Conditions | Min | Typ | Max | Unit |
| Output voltage | V_{SVOUT} | $I_{SVOUT} = 0mA$ $T_J = 25^{\circ}C$ | 4.80 | 5.0 | 5.25 | V |
| Output resistance | R_{SVOUT} | Static load | | 3 | | Ω |
| Deviation of output voltage over the full temperature range | $V_{SVOUT(DEV)}$ | $I_{SVOUT} = 16mA$ $T_J = \text{full range}$ | | +/-30 | +/-100 | mV |
| Deviation of output voltage over the full supply voltage range | $V_{SVOUT(DEV)}$ | $I_{SVOUT} = 0mA$ $V_{VSA} = \text{variable}$ | | +/-15 | +/-30 | mV / 10V |
| Deviation of output voltage over the full supply voltage range | $V_{SVOUT(DEV)}$ | $I_{SVOUT} = 16mA$ $V_{VSA} = \text{variable}$ | | -38 | +/-75 | mV / 10V |

| Clock oscillator and input | | Timing-Characteristics | | | | |
|--|-----------------------|---|------|-------|------|------|
| Parameter | Symbol | Conditions | Min | Typ | Max | Unit |
| Clock oscillator frequency | f_{CLKOSC} | $t_J = -50^{\circ}C$ | 9 | 12.4 | | MHz |
| Clock oscillator frequency | f_{CLKOSC} | $t_J = 50^{\circ}C$ | 10.1 | 13.2 | 17.2 | MHz |
| Clock oscillator frequency | f_{CLKOSC} | $t_J = 150^{\circ}C$ | | 13.4 | 18 | MHz |
| External clock frequency (operating) | f_{CLK} | | 4 | 10-16 | 18 | MHz |
| External clock high / low level time | t_{CLKH} / t_{CLKL} | CLK driven to $0.1 V_{VIO} / 0.9 V_{VIO}$ | 10 | | | ns |
| External clock first cycle triggering switching to external clock source | t_{CLKH1} | CLK driven high | 30 | 25 | | ns |

| Detector levels | | DC-Characteristics | | | | |
|---|-------------------|--|-----|------|-----|-------------|
| Parameter | Symbol | Conditions | Min | Typ | Max | Unit |
| V_{VSA} undervoltage threshold for RESET | V_{UV_VSA} | V_{VSA} rising | 3.8 | 4.2 | 4.6 | V |
| V_{SVOUT} undervoltage threshold for RESET | V_{UV_SVOUT} | V_{SVOUT} rising | | 3.5 | | V |
| V_{VCC_IO} undervoltage threshold for RESET | V_{UV_VIO} | V_{VCC_IO} rising (delay typ. 10 μ s) | 2.1 | 2.55 | 3.0 | V |
| V_{VCC_IO} undervoltage detector hysteresis | $V_{UV_VIOHYST}$ | | | 0.3 | | V |
| Short to GND detector threshold ($V_{VS} - V_{OR}$) | V_{OS2G} | | 2 | 2.5 | 3 | V |
| Short to GND detector delay (high side switch on to short detected) | t_{S2G} | High side output clamped to $V_{SP}-3V$ | 0.8 | 1.3 | 2 | μ s |
| Overtemperature prewarning | t_{OTPW} | Temperature rising | 100 | 120 | 140 | $^{\circ}C$ |
| Overtemperature shutdown | t_{OT} | Temperature rising | 135 | 150 | 170 | $^{\circ}C$ |

| Sense resistor voltage levels | | DC-Characteristics $f_{CLK}=16MHz$ | | | | |
|---|------------|---|-----|-----|-----|------------|
| Parameter | Symbol | Conditions | Min | Typ | Max | Unit |
| Sense input peak threshold voltage (low sensitivity) | V_{SRTL} | $vsense=0$ $csactual=31$ $sin_x=248$ $Hyst.=0; I_{BRxy}=0$ | | 325 | | mV |
| Sense input peak threshold voltage (high sensitivity) | V_{SRTH} | $vsense=1$ $csactual=31$ $sin_x=248$ $Hyst.=0; I_{BRxy}=0$ | | 180 | | mV |
| Sense input tolerance / motor current full-scale tolerance -using internal reference | I_{COIL} | $I_{scale_analog}=0,$ $vsense=0$ | -5 | | +5 | % |
| Sense input tolerance / motor current full-scale tolerance -using external reference voltage | I_{COIL} | $I_{scale_analog}=1,$ $V_{AIN}=2V, vsense=0$ | -2 | | +2 | % |
| Internal resistance from pin BRxy to internal sense comparator (additional to sense resistor) | R_{BRxy} | | | 20 | | m Ω |

| Digital pins | | DC-Characteristics | | | | |
|----------------------------------|-----------------|--------------------|---------------|----------------|---------------|------------|
| Parameter | Symbol | Conditions | Min | Typ | Max | Unit |
| Input voltage low level | V_{INLO} | | -0.3 | | $0.3 V_{VIO}$ | V |
| Input voltage high level | V_{INHI} | | $0.7 V_{VIO}$ | | $V_{VIO}+0.3$ | V |
| Input Schmitt trigger hysteresis | V_{INHYST} | | | $0.12 V_{VIO}$ | | V |
| Output voltage low level | V_{OUTLO} | $I_{OUTLO} = 2mA$ | | | 0.2 | V |
| Output voltage high level | V_{OUTH} | $I_{OUTH} = -2mA$ | $V_{VIO}-0.2$ | | | V |
| Input leakage current | I_{LEAK} | | -10 | | 10 | μA |
| Pullup / pull-down resistors | R_{PU}/R_{PD} | | 132 | 166 | 200 | k Ω |
| Digital pin capacitance | C | | | 3.5 | | pF |

| AIN/IREF input | | DC-Characteristics | | | | |
|---|---------------|---|-----|---------------|---------------|------------|
| Parameter | Symbol | Conditions | Min | Typ | Max | Unit |
| AIN_IREF input resistance to 2.5V (=5VOUT/2) | R_{AIN} | Measured to GND ($internalRsense=0$) | 260 | 330 | 400 | k Ω |
| AIN_IREF input voltage range for linear current scaling | V_{AIN} | Measured to GND ($I_{scaleAnalog}=1$) | 0 | 0.5-2.4 | $V_{5VOUT}/2$ | V |
| AIN_IREF open input voltage level | V_{AINO} | Open circuit voltage ($internalRsense=0$) | | $V_{5VOUT}/2$ | | V |
| AIN_IREF input resistance to GND for reference current input | R_{IREF} | Measured to GND ($internalRsense=1$) | 0.8 | 1 | 1.2 | k Ω |
| AIN_IREF current amplification for reference current to coil current at maximum setting | $I_{REFAMPL}$ | $I_{IREF} = 0.25mA$ | | 3000 | | Times |
| Motor current full-scale tolerance -using RDSon measurement | I_{COIL} | $Internal_Rsense=1,$ $vsense=0,$ $I_{IREF} = 0.25mA$ | -10 | | +10 | % |

28.3 Thermal Characteristics

The following table shall give an idea on the thermal resistance of the package. The thermal resistance for a four-layer board will provide a good idea on a typical application. Actual thermal characteristics will depend on the PCB layout, PCB type and PCB size. The thermal resistance will benefit from thicker CU (inner) layers for spreading heat horizontally within the PCB. Also, air flow will reduce thermal resistance.

A thermal resistance of 24K/W for a typical board means, that the package is capable of continuously dissipating 4.1W at an ambient temperature of 25°C with the die temperature staying below 125°C.

| Parameter | Symbol | Conditions | Typ | Unit |
|--|------------|--|-----|------|
| Typical power dissipation | P_D | StealthChop or SpreadCycle, 0.92A RMS in two phase motor, sinewave, 40 or 20kHz chopper, 24V, internal supply, 84°C peak surface of package (motor QSH4218-035-10-027) | 2.6 | W |
| Thermal resistance junction to ambient on a multilayer board for QFN36 package | R_{TMJA} | Dual signal and two internal power plane board (2s2p) as defined in JEDEC EIA JESD51-5 and JESD51-7 (FR4, 35µm CU, 84mm x 55mm, d=1.5mm) | 24 | K/W |
| Thermal resistance junction to ambient on a multilayer board for TQFP-EP48 package | R_{TMJA} | Dual signal and two internal power plane board (2s2p) as defined in JEDEC EIA JESD51-5 and JESD51-7 (FR4, 35µm CU, 70mm x 133mm, d=1.5mm) | 21 | K/W |
| Thermal resistance junction to board | R_{TJB} | PCB temperature measured within 1mm distance to the package | 8 | K/W |
| Thermal resistance junction to case | R_{TJC} | Junction temperature to heat slug of package | 3 | K/W |

Table 28.1 Thermal Characteristics QFN5x6 and TQFP-EP48

The thermal resistance in an actual layout can be tested by checking for the heat up caused by the standby power consumption of the chip. When no motor is attached, all power seen on the power supply is dissipated within the chip.

Note

A spreadsheet for calculating TMC2130 power dissipation is available on www.trinamic.com.

29 Layout Considerations

29.1 Exposed Die Pad

The TMC2130 uses its die attach pad to dissipate heat from the drivers and the linear regulator to the board. For best electrical and thermal performance, use a reasonable amount of solid, thermally conducting vias between the die attach pad and the ground plane. The printed circuit board should have a solid ground plane spreading heat into the board and providing for a stable GND reference.

29.2 Wiring GND

All signals of the TMC2130 are referenced to their respective GND. Directly connect all GND pins under the device to a common ground area (GND, GNDP, GNDA and die attach pad). The GND plane right below the die attach pad should be treated as a virtual star point. For thermal reasons, the PCB top layer shall be connected to a large PCB GND plane spreading heat within the PCB.

Attention

The sense resistor connections are susceptible to GND differences and GND ripple voltage, as the microstep current steps make up for voltages down to 0.5 mV. No current other than the sense resistor current should flow on their connections to GND and to the TMC2130. Optimally place them close to the IC, with one or more vias to the GND plane for each sense resistor. The two sense resistors for one coil should not share a common ground connection trace or vias, as also PCB traces have a certain resistance.

29.3 Supply Filtering

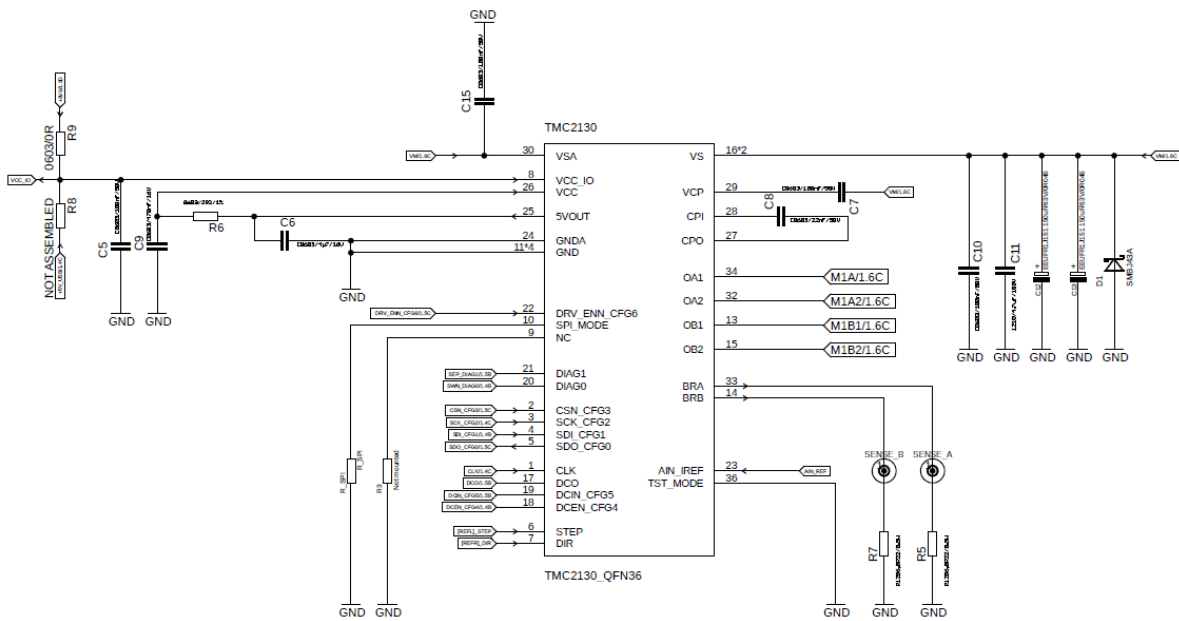
The 5VOUT output voltage ceramic filtering capacitor (4.7 μ F recommended) should be placed as close as possible to the 5VOUT pin, with its GND return going directly to the GNDA pin. This ground connection shall not be shared with other loads or additional vias to the GND plan. Use as short and as thick connections as possible. For best microstepping performance and lowest chopper noise an additional filtering capacitor should be used for the VCC pin to GND, to avoid charge pump and digital part ripple influencing motor current regulation. Therefore, place a ceramic filtering capacitor (470nF recommended) as close as possible (1-2mm distance) to the VCC pin with GND return going to the ground plane. VCC can be coupled to 5VOUT using a 2.2 Ω or 3.3 Ω resistor to supply the digital logic from 5VOUT while keeping ripple away from this pin.

A 100 nF filtering capacitor should be placed as close as possible to the VSA pin to ground plane. The motor supply pins VS should be decoupled with an electrolytic capacitor (47 μ F or larger is recommended) and a ceramic capacitor, placed close to the device.

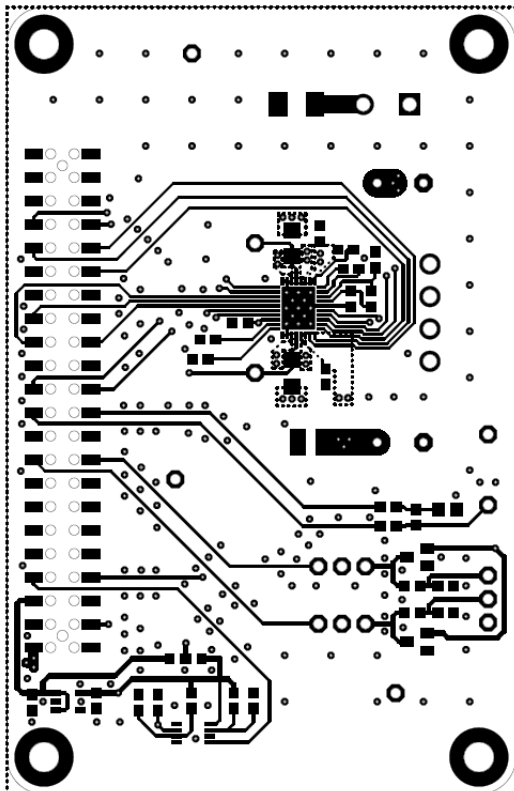
Consider that the switching motor coil outputs have a high dV/dt . Thus, capacitive stray into high resistive signals can occur if the motor traces are near other traces over longer distances.

29.4 Layout Example (QFN36)

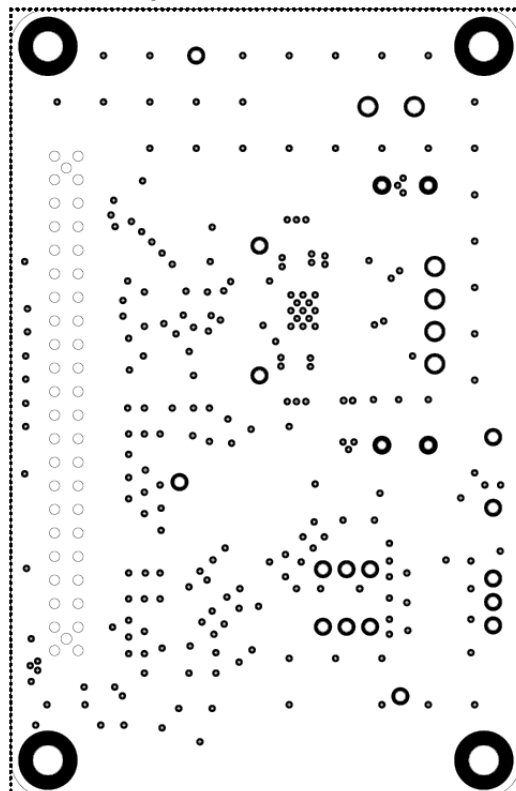
Schematic



1 - Top Layer (assembly side)



2 - Inner Layer 1



30 Package Mechanical Data

All length units are given in millimeters.

30.1 Dimensional Drawings QFN36 5x6

Attention: Drawings not to scale.

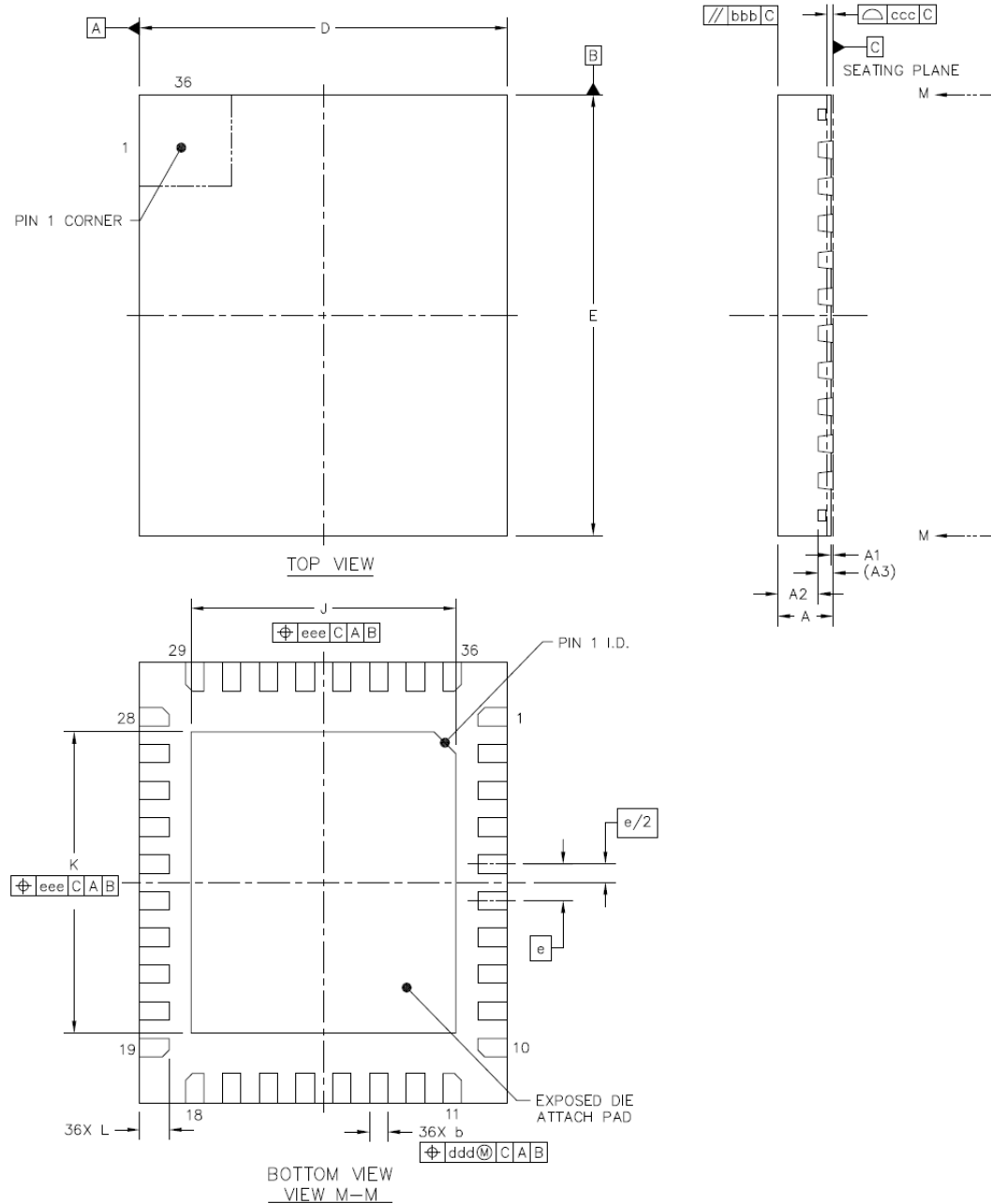


Figure 30.1 Dimensional drawings QFN 5x6

| Parameter | Ref | Min | Nom | Max |
|------------------------|------------|------------|------------|------------|
| total thickness | A | 0.8 | 0.85 | 0.9 |
| stand off | A1 | 0 | 0.035 | 0.05 |
| mold thickness | A2 | - | 0.65 | - |
| lead frame thickness | A3 | | 0.203 | |
| lead width | b | 0.2 | 0.25 | 0.3 |
| body size X | D | 4.9 | 5 | 5.1 |
| body size Y | E | 5.9 | 6 | 6.1 |
| lead pitch | e | | 0.5 | |
| exposed die pad size X | J | 3.5 | 3.6 | 3.7 |
| exposed die pad size Y | K | 4 | 4.1 | 4.2 |
| lead length | L | 0.35 | 0.4 | 0.45 |
| mold flatness | bbb | | | 0.1 |
| coplanarity | ccc | | | 0.08 |
| lead offset | ddd | | | 0.1 |
| exposed pad offset | eee | | | 0.1 |

30.2 Dimensional Drawings TQFP-EP48

Attention: Drawings not to scale.

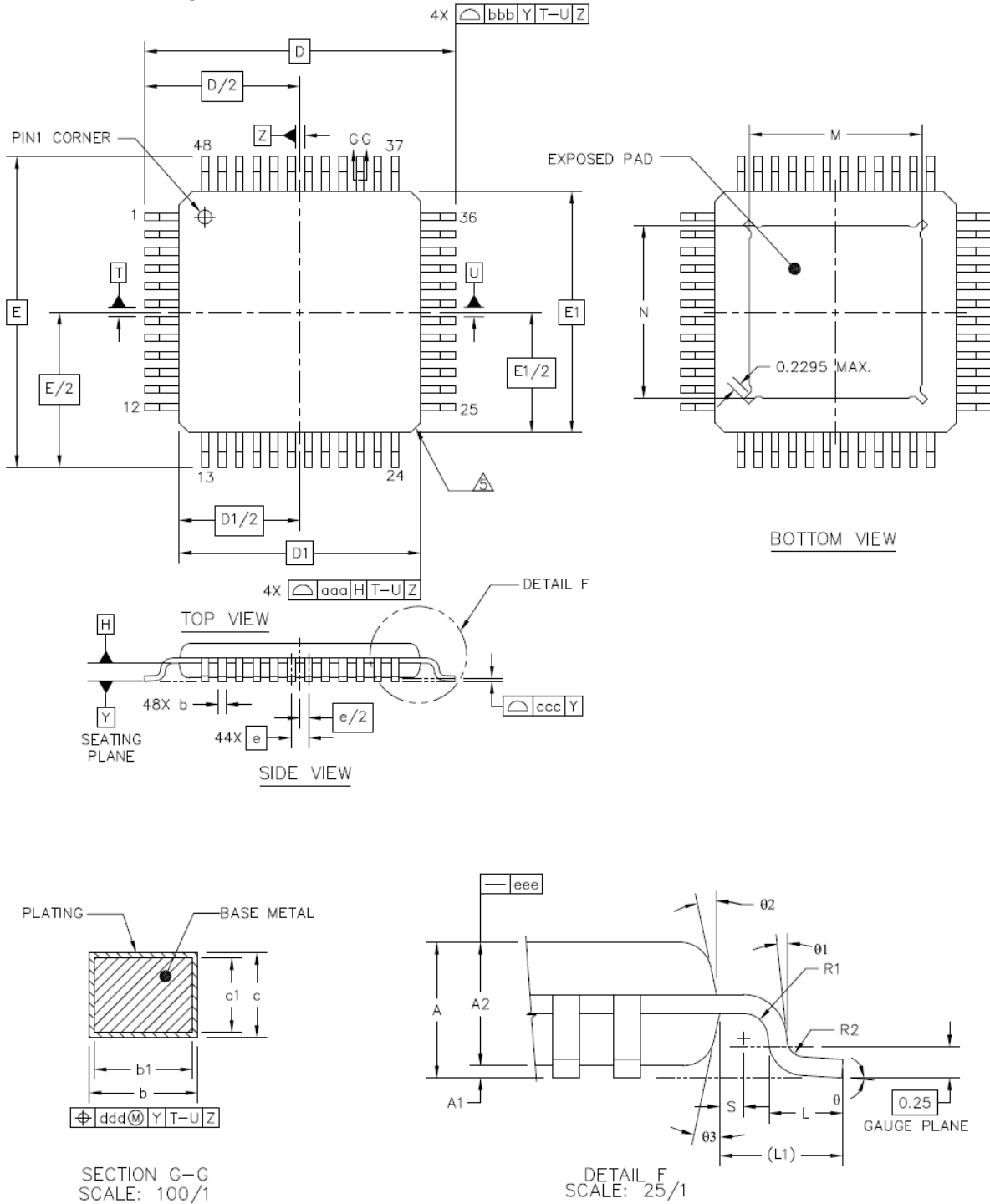


Figure 30.2 Dimensional drawings TQFP-EP48

| Parameter | Ref | Min | Nom | Max |
|--------------------------------|-----|------|-------|------|
| total thickness | A | - | - | 1.2 |
| stand off | A1 | 0.05 | - | 0.15 |
| mold thickness | A2 | 0.95 | 1 | 1.05 |
| lead width (plating) | b | 0.17 | 0.22 | 0.27 |
| lead width | b1 | 0.17 | 0.2 | 0.23 |
| lead frame thickness (plating) | c | 0.09 | - | 0.2 |
| lead frame thickness | c1 | 0.09 | - | 0.16 |
| body size X (over pins) | D | | 9.0 | |
| body size Y (over pins) | E | | 9.0 | |
| body size X | D1 | | 7.0 | |
| body size Y | E1 | | 7.0 | |
| lead pitch | e | | 0.5 | |
| lead | L | 0.45 | 0.6 | 0.75 |
| footprint | L1 | | 1 REF | |
| | ⊖ | 0° | 3.5° | 7° |
| | ⊖1 | 0° | - | - |
| | ⊖2 | 11° | 12° | 13° |
| | ⊖3 | 11° | 12° | 13° |
| | R1 | 0.08 | - | - |
| | R2 | 0.08 | - | 0.2 |
| | S | 0.2 | - | - |
| exposed die pad size X | M | 4.9 | 5 | 5.1 |
| exposed die pad size Y | N | 4.9 | 5 | 5.1 |
| package edge tolerance | aaa | | | 0.2 |
| lead edge tolerance | bbb | | | 0.2 |
| coplanarity | ccc | | | 0.08 |
| lead offset | ddd | | | 0.08 |
| mold flatness | eee | | | 0.05 |

30.3 Package Codes

| Type | Package | Temperature range | Code & marking |
|------------|------------------|-------------------|-------------------------------|
| TMC2130-LA | QFN36 (RoHS) | -40°C ... +125°C | TMC2130-LA Date code: YYWW |
| TMC2130-TA | TQFP-EP48 (RoHS) | -40°C ... +125°C | TMC2130-TA Date code: YYWW |

31 Disclaimer

TRINAMIC Motion Control GmbH & Co. KG does not authorize or warrant any of its products for use in life support systems, without the specific written consent of TRINAMIC Motion Control GmbH & Co. KG. Life support systems are equipment intended to support or sustain life, and whose failure to perform, when properly used in accordance with instructions provided, can be reasonably expected to result in personal injury or death.

Information given in this data sheet is believed to be accurate and reliable. However, no responsibility is assumed for the consequences of its use nor for any infringement of patents or other rights of third parties which may result from its use.

Specifications are subject to change without notice.

All trademarks used are property of their respective owners.

32 ESD Sensitive Device

The TMC2130 is an ESD sensitive CMOS device sensitive to electrostatic discharge. Take special care to use adequate grounding of personnel and machines in manual handling. After soldering the devices to the board, ESD requirements are more relaxed. Failure to do so can result in defect or decreased reliability.



33 Designed for Sustainability

Sustainable growth is one of the most important and urgent challenges today. We at Trinamic try to contribute by designing highly efficient IC products, to minimize energy consumption, ensure best customer experience and long-term satisfaction by smooth and silent run, while minimizing the demand for external resources, e.g., for power supply, cooling infrastructure, reduced motor size and magnet material by intelligent control interfaces and advanced algorithms.

Please help and design efficient and durable products made for a sustainable world.

34 Table of Figures

| | |
|---|----|
| FIGURE 1.1 TMC2130 STEP/DIR APPLICATION DIAGRAM..... | 5 |
| FIGURE 1.2 TMC2130 STANDALONE DRIVER APPLICATION DIAGRAM | 6 |
| FIGURE 1.3 ENERGY EFFICIENCY WITH COOLSTEP (EXAMPLE)..... | 8 |
| FIGURE 2.1 TMC2130-LA PACKAGE AND PINNING QFN36 (5X6MM ² BODY) | 10 |
| FIGURE 2.2 TMC2130-TA PACKAGE AND PINNING TQFP-EP 48-EP (7X7MM ² BODY, 9X9MM ² WITH LEADS) | 10 |
| FIGURE 3.1 STANDARD APPLICATION CIRCUIT..... | 13 |
| FIGURE 3.2 REDUCED NUMBER OF FILTERING COMPONENTS | 14 |
| FIGURE 3.3 RDS _{ON} BASED SENSING ELIMINATES HIGH CURRENT SENSE RESISTORS..... | 15 |
| FIGURE 3.5 USING AN EXTERNAL 5V SUPPLY TO BYPASS INTERNAL REGULATOR..... | 16 |
| FIGURE 3.6 EXAMPLES FOR SIMPLE PRE-REGULATORS | 16 |
| FIGURE 3.7 5V ONLY OPERATION..... | 17 |
| FIGURE 3.8 DERATING OF MAXIMUM SINE WAVE PEAK CURRENT AT INCREASED DIE TEMPERATURE | 18 |
| FIGURE 3.9 SCHOTTKY DIODES REDUCE POWER DISSIPATION AT HIGH PEAK CURRENTS UP TO 2A (2.5A)..... | 19 |
| FIGURE 3.10 SIMPLE ESD ENHANCEMENT AND MORE ELABORATE MOTOR OUTPUT PROTECTION | 20 |
| FIGURE 4.1 SPI TIMING..... | 23 |
| FIGURE 6.1 MOTOR COIL SINE WAVE CURRENT WITH STEALTHCHOP (MEASURED WITH CURRENT PROBE)..... | 39 |
| FIGURE 6.2 SCOPE SHOT: GOOD SETTING FOR PWM_GRAD..... | 40 |
| FIGURE 6.3 SCOPE SHOT: TOO SMALL SETTING FOR PWM_GRAD..... | 40 |
| FIGURE 6.4 GOOD AND TOO SMALL SETTING FOR PWM_GRAD | 41 |
| FIGURE 6.5 VELOCITY BASED PWM SCALING (PWM_AUTOSCALE=0)..... | 43 |
| FIGURE 7.1 CHOPPER PHASES | 47 |
| FIGURE 7.2 NO LEDGES IN CURRENT WAVE WITH SUFFICIENT HYSTERESIS (MAGENTA: CURRENT A, YELLOW & BLUE: SENSE RESISTOR VOLTAGES A AND B)..... | 49 |
| FIGURE 7.3 SPREADCYCLE CHOPPER SCHEME SHOWING COIL CURRENT DURING A CHOPPER CYCLE..... | 50 |
| FIGURE 7.4 CLASSIC CONST. OFF TIME CHOPPER WITH OFFSET SHOWING COIL CURRENT | 51 |
| FIGURE 7.5 ZERO CROSSING WITH CLASSIC CHOPPER AND CORRECTION USING SINE WAVE OFFSET | 51 |
| FIGURE 8.1 SCALING THE MOTOR CURRENT USING THE ANALOG INPUT..... | 54 |
| FIGURE 11.1 CHOICE OF VELOCITY DEPENDENT MODES..... | 59 |
| FIGURE 14.1 FUNCTION PRINCIPLE OF STALLGUARD2 | 62 |
| FIGURE 14.2 EXAMPLE: OPTIMUM SGT SETTING AND STALLGUARD2 READING WITH AN EXAMPLE MOTOR | 64 |
| FIGURE 15.1 COOLSTEP ADAPTS MOTOR CURRENT TO THE LOAD..... | 67 |
| FIGURE 16.1 STEP AND DIR TIMING, INPUT PIN FILTER | 69 |
| FIGURE 16.2 MICROPLYER MICROSTEP INTERPOLATION WITH RISING STEP FREQUENCY (EXAMPLE: 16 TO 256)..... | 71 |
| FIGURE 17.1 DIAG OUTPUTS IN STEP/DIR MODE | 72 |
| FIGURE 18.1 DCSTEP EXTENDED APPLICATION OPERATION AREA | 73 |
| FIGURE 18.2 VELOCITY PROFILE WITH IMPACT BY OVERLOAD SITUATION (EXAMPLE) | 74 |
| FIGURE 18.3 MOTOR MOVING SLOWER THAN STEP INPUT DUE TO LIGHT OVERLOAD. LOSTSTEPS INCREMENTED | 75 |
| FIGURE 18.4 FULL SIGNAL INTERCONNECTION FOR DCSTEP..... | 76 |
| FIGURE 18.5 DCO INTERFACE TO MOTION CONTROLLER – STEP GENERATOR STOPS WHEN DCO IS ASSERTED..... | 76 |
| FIGURE 19.1 LUT PROGRAMMING EXAMPLE | 78 |
| FIGURE 22.1 CURRENT SETTING AND FIRST STEPS WITH STEALTHCHOP..... | 81 |
| FIGURE 22.2 TUNING STEALTHCHOP AND SPREADCYCLE | 82 |
| FIGURE 22.3 ENABLING COOLSTEP (ONLY IN COMBINATION WITH SPREADCYCLE) | 83 |
| FIGURE 24.1 STANDALONE OPERATION WITH TMC2130 (PINS SHOWN WITH THEIR STANDALONE MODE NAMES)..... | 85 |
| FIGURE 29.1 LAYOUT EXAMPLE | 96 |
| FIGURE 30.1 DIMENSIONAL DRAWINGS QFN 5X6..... | 97 |
| FIGURE 30.2 DIMENSIONAL DRAWINGS TQFP-EP48 | 99 |

35 Revision History

| Version | Date | Author BD= Bernhard Dwersteg SD= Sonja Dwersteg | Description |
|---------|-------------|---|--|
| V0.90 | 2014-AUG-21 | SD | First version. Based on TMC5130 datasheet V0.42. |
| V1.00 | 2014-OCT-15 | SD | Some detail corrections (removed wording 3 phase) |
| V1.01 | 2014-NOV-24 | BD | Wording thermal shutdown, QFN36 table |
| V1.02 | 2014-DEC-08 | BD | Some detail corrections for 2130 and StallGuard description |
| V1.03 | 2015-MAR-10 | BD | Improved AN links, DcStep StallGuard description, blue blocks Renamed <i>TZEROWAIT</i> to <i>TPOWERDOWN</i> , Added References |
| V1.04 | 2015-APR-02 | BD | More direct_mode info |
| V1.05 | 2015-OCT-09 | BD | added TCLK spec for first clock event, moved chapter acceleration in StealthChop, 19.2: swapped X1 and X3, SPI mode 3 hint, sg_filt to sfilt, fCLK measurement hint S/D, Fig 1.1 and 3.1 update, Fig 3.7 corrected |
| V1.06 | 2016-APR-22 | BD | More details on: StealthChop lower current limit, dcMotor operation, XDIRECT register Corrected: effective StealthChop PWM frequency is $2 \cdot \text{divider}$ setting, ESD schematic w. varistors instead of snubber |
| V1.07 | 2016-APR-27 | BD | Added TQFP48 package |
| V1.08 | 2016-SEP-21 | BD | Hint for index pulse, New changing resolution table, Some wording |
| V1.09 | 2017-MAY-15 | BD | Minor details, Pin 9 (11) must be left open, removed comment for tie to GND option |
| V1.11 | 2019-NOV-07 | BD | Minor fixes and hints, new pict., sustainability chapter |
| V1.12 | 2020-JUN-03 | BD | Updated Logo, Minor fixes |
| V1.13 | 2021-JUN-16 | BD | TOFF calculation, MSCURA and B swapped, Minor corrections |
| V1.14 | 2022-JAN-12 | BD | Updated logo & order codes; minor re-wording; Removed 3.4.1 due to customer issues with power-up & down sequence; P61: corrected open-load detection pre-conditions; P89: Improved description of software reset |
| V1.15 | 2022-MAY-31 | BD | Minor improvements; P25: Removed uv_cp from list of flags for DIAG output |

Table 35.1 Document Revisions

36 References

[TMC2130-EVAL] TMC2130-EVAL Manual

[AN001] Trinamic Application Note 001 - Parameterization of SpreadCycle™, www.trinamic.com

[AN002] Trinamic Application Note 002 - Parameterization of StallGuard2™ & CoolStep™,

www.trinamic.com

[AN003] Trinamic Application Note 003 - DcStep™, www.trinamic.com

Calculation sheet [TMC5130_TMC2130_TMC2100_Calculations.xlsx](#)

Looking for pricing, stock, or lifecycle information?

Click below to explore more details on WIN SOURCE:

- [View TMC2130-TA on WIN SOURCE](#)
- [Trinamic Motion Control GmbH Information](#)

Optimize Your Supply Chain with WIN SOURCE Solutions

- ✓ Global Sourcing Solution
- ✓ Obsolete Management
- ✓ Cost Control Management
- ✓ Shortage Management
- ✓ Alternative Solution
- ✓ Excess Inventory Management