



**THE DATASHEET OF
TLE-110-01-G-DV**



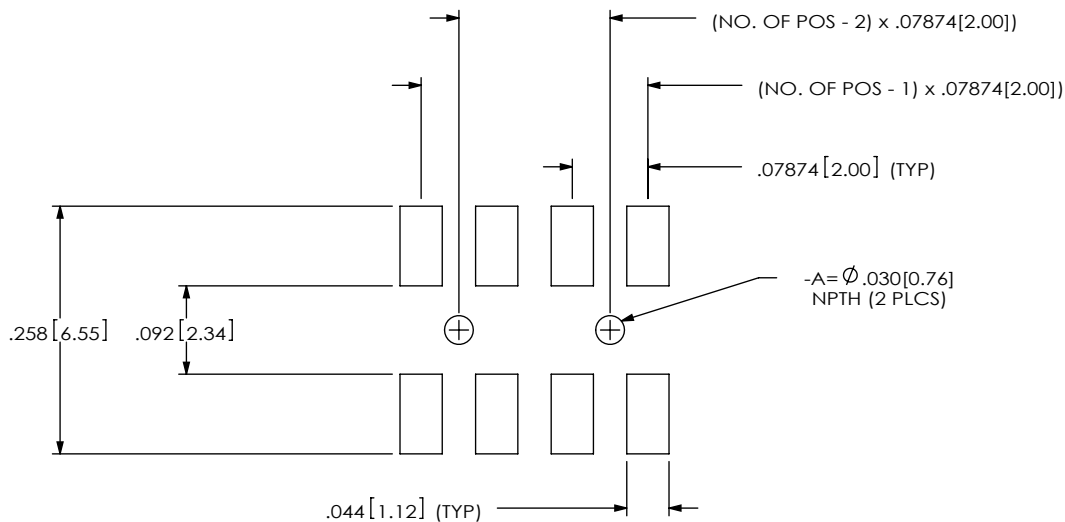


FIG 1
SURFACE MOUNT NON-PASS THRU ENTRY
(-104 POSITION SHOWN)
ALL DIMENSION ARE SYMMETRICAL ABOUT THE CENTERLINE

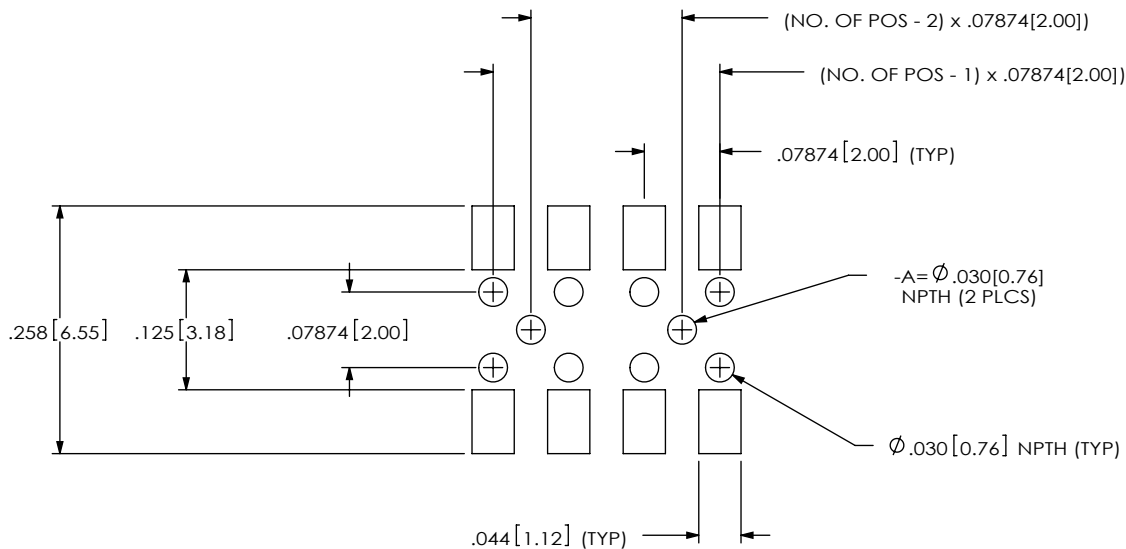


FIG 2
SURFACE MOUNT PASS THRU ENTRY
(-104 POSITION SHOWN)
ALL DIMENSION ARE SYMMETRICAL ABOUT THE CENTERLINE

PROPRIETARY NOTE
THIS DOCUMENT CONTAINS INFORMATION CONFIDENTIAL AND PROPRIETARY TO SAMTEC, INC. AND SHALL NOT BE REPRODUCED OR TRANSFERRED TO OTHER DOCUMENTS OR DISCLOSED TO OTHERS OR USED FOR ANY PURPOSE OTHER THAN THAT WHICH IT WAS OBTAINED WITHOUT THE EXPRESSED WRITTEN CONSENT OF SAMTEC, INC.



520 PARK EAST BLVD, NEW ALBANY, IN 47150
PHONE: 812-944-6733 FAX: 812-948-5047
e-Mail info@SAMTEC.com code 55322

NOTE:
STENCIL TO BE .006[0.15] THICK.

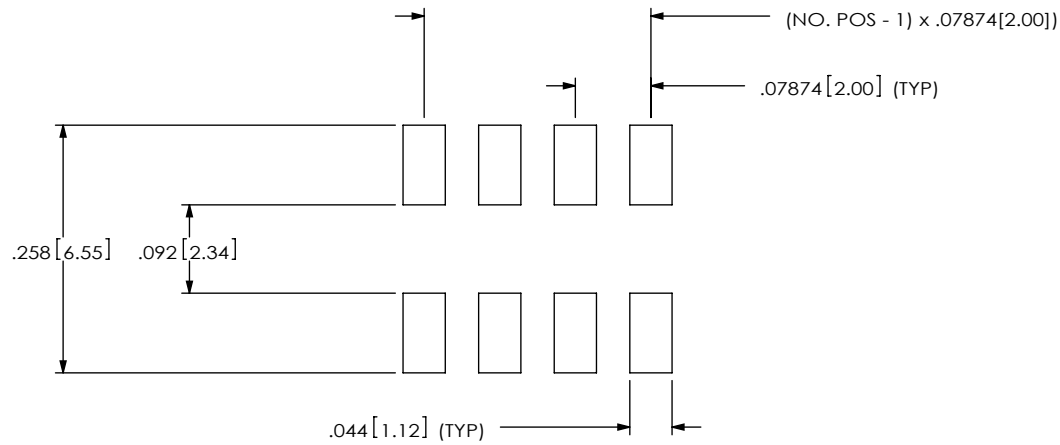


FIG 3
SURFACE MOUNT NON-PASS THRU ENTRY
(-104 POSITION SHOWN)
ALL DIMENSION ARE SYMMETRICAL ABOUT THE CENTERLINE

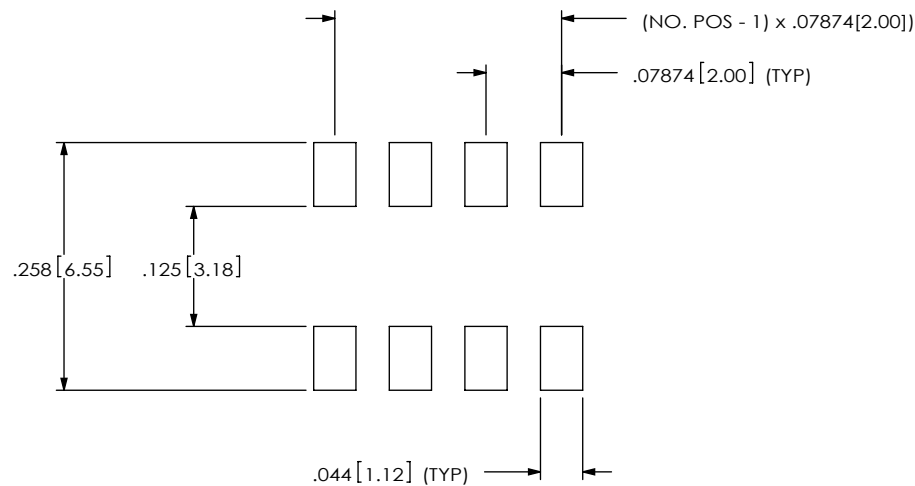


FIG 4
SURFACE MOUNT PASS THRU ENTRY
(-104 POSITION SHOWN)
ALL DIMENSION ARE SYMMETRICAL ABOUT THE CENTERLINE

PROPRIETARY NOTE
THIS DOCUMENT CONTAINS INFORMATION
CONFIDENTIAL AND PROPRIETARY TO
SAMTEC, INC. AND SHALL NOT BE REPRODUCED
OR TRANSFERRED TO OTHER DOCUMENTS OR
DISCLOSED TO OTHERS OR USED FOR ANY
PURPOSE OTHER THAN THAT WHICH IT WAS
OBTAINED WITHOUT THE EXPRESSED WRITTEN
CONSENT OF SAMTEC, INC.



520 PARK EAST BLVD, NEW ALBANY, IN 47150
PHONE: 812-944-6733 FAX: 812-948-5047
e-Mail info@SAMTEC.com code 55322

Looking for pricing, stock, or lifecycle information?

Click below to explore more details on WIN SOURCE:

 [View TLE-110-01-G-DV on WIN SOURCE](#)

 [Samtec Inc. Information](#)

Optimize Your Supply Chain with WIN SOURCE Solutions

-  Global Sourcing Solution
-  Obsolete Management
-  Cost Control Management
-  Shortage Management
-  Alternative Solution
-  Excess Inventory Management