



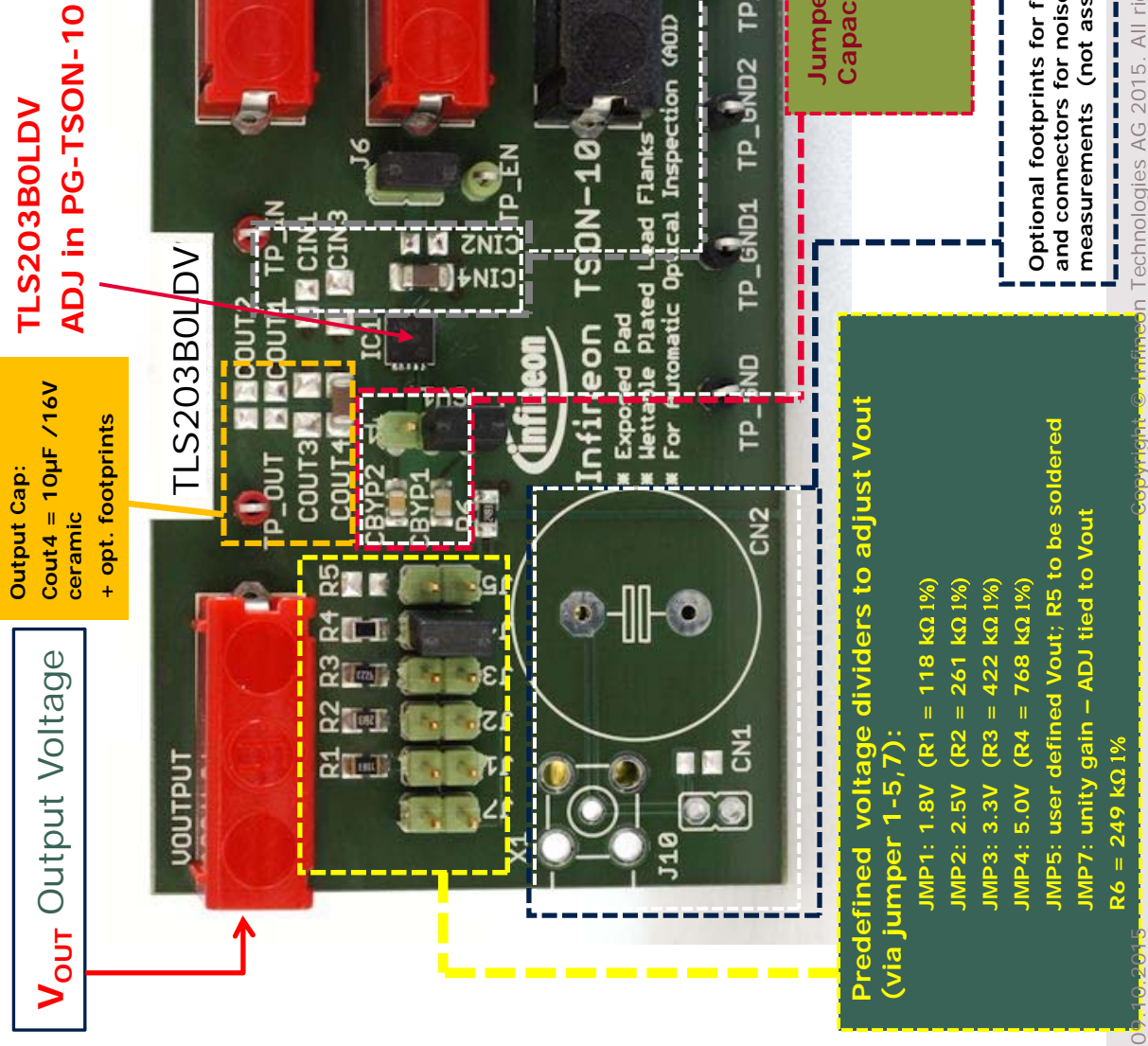
**THE DATASHEET OF  
TLS203B0LDVBOARDTOB01**



**TLS203B0**  
**DEMO Board**  
User Guide

The image features a teal background. On the right side, there is a white geometric shape consisting of a vertical line, a horizontal line at the top, and a diagonal line connecting the top of the vertical line to the right side of the horizontal line. A small white circle is located at the intersection of the vertical and diagonal lines.

# Board Overview and Quick Start

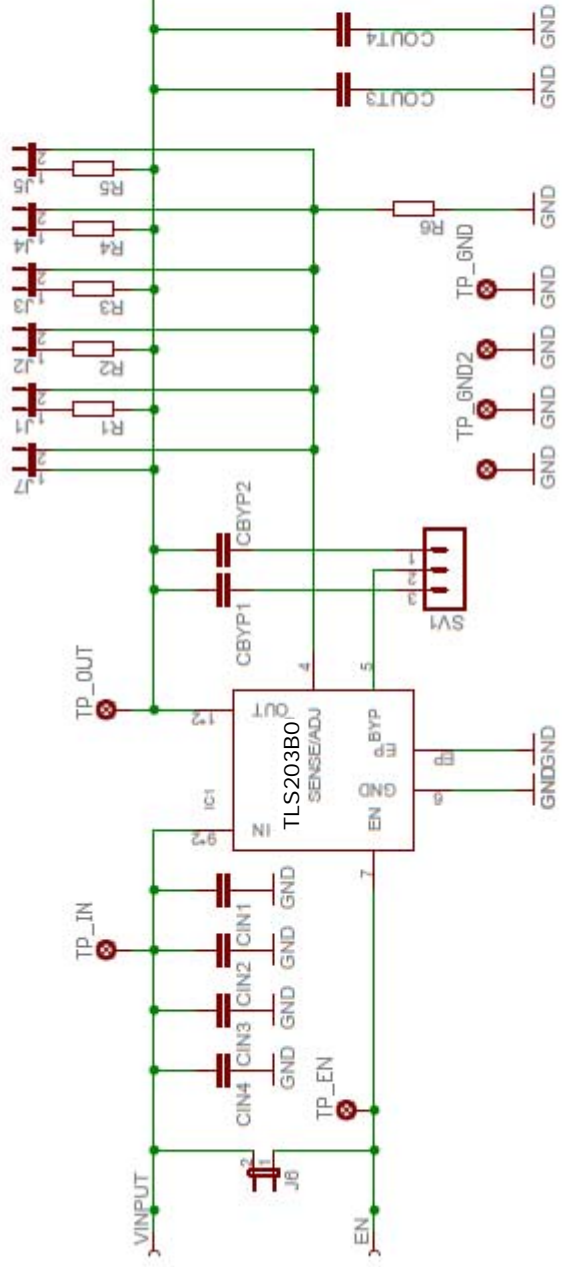


# Quick Start

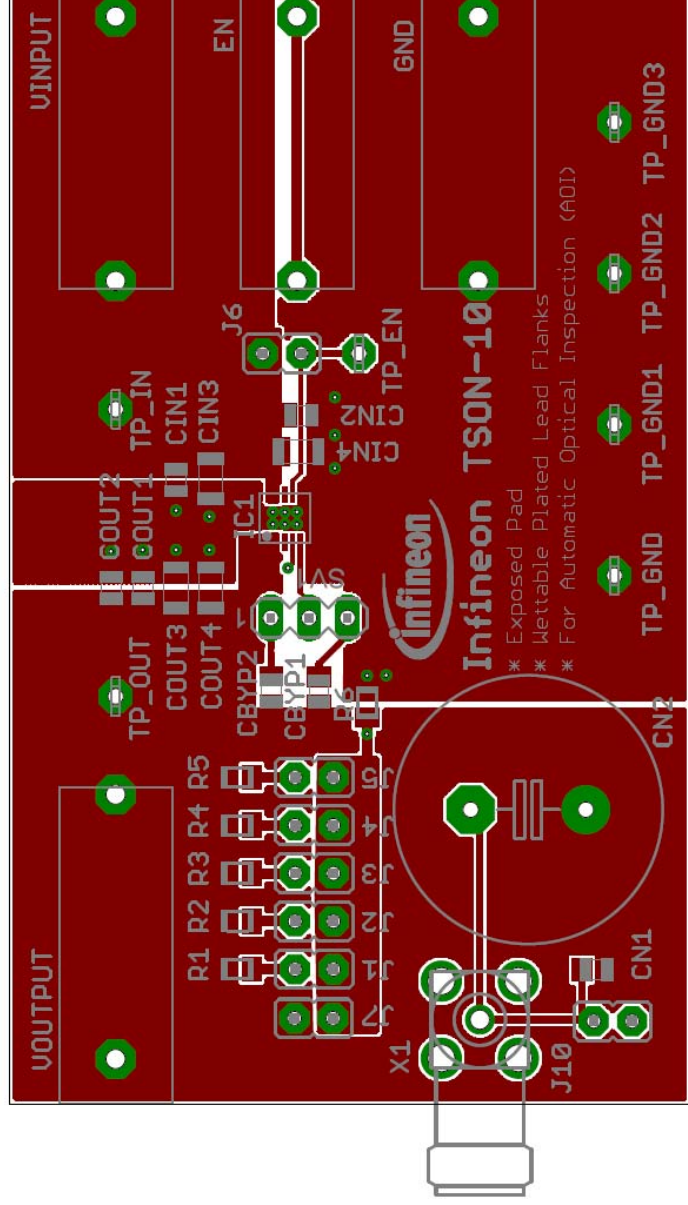
- › Select the desired Output Voltage  $V_{OUT}$ :
  - close **ONE** of the jumpers JMP 1-5 according to page 2. If JMP5 is a user defined value for R5 must be soldered accordingly. If  $V_{OUT} >$  output capacitor must be replaced with a capacitor having a higher assembled). Leave the other jumpers open!
- › Select Bypass Capacitance:
  - the jumper settings of SV1 allow to use pre-assembled bypass cap either 10nF or 1nF. Leaving SV1 open corresponds to „no bypass“
- › Connect **GND** to Ground
- › Connect  **$V_{IN}$**  to the Voltage Supply
  - Absolute Maximum Rating  $V_{IN}$ : -20V to 20V
- › Connect  **$V_{OUT}$**  to the load
  - Absolute Maximum Rating  $V_{OUT}$ : -20V to 20V
- › Set **EN** to high level or connect to  **$V_{IN}$**  to start the voltage
  - Absolute Maximum Rating EN: -20V to 20V
  - Jumper JMP6 can be used to tie  $V_{EN}$  to  $V_{IN}$

**Note:** Do NOT exceed the Absolute Maximum Ratings!

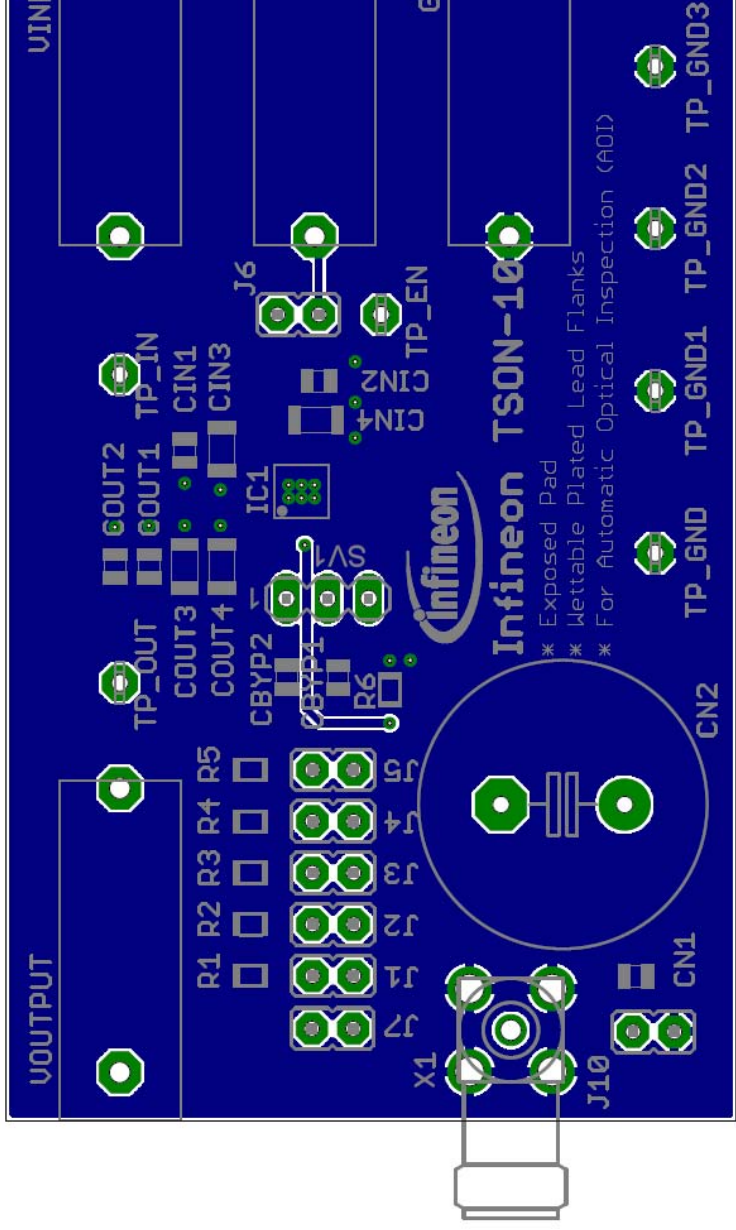
# Board Schematics

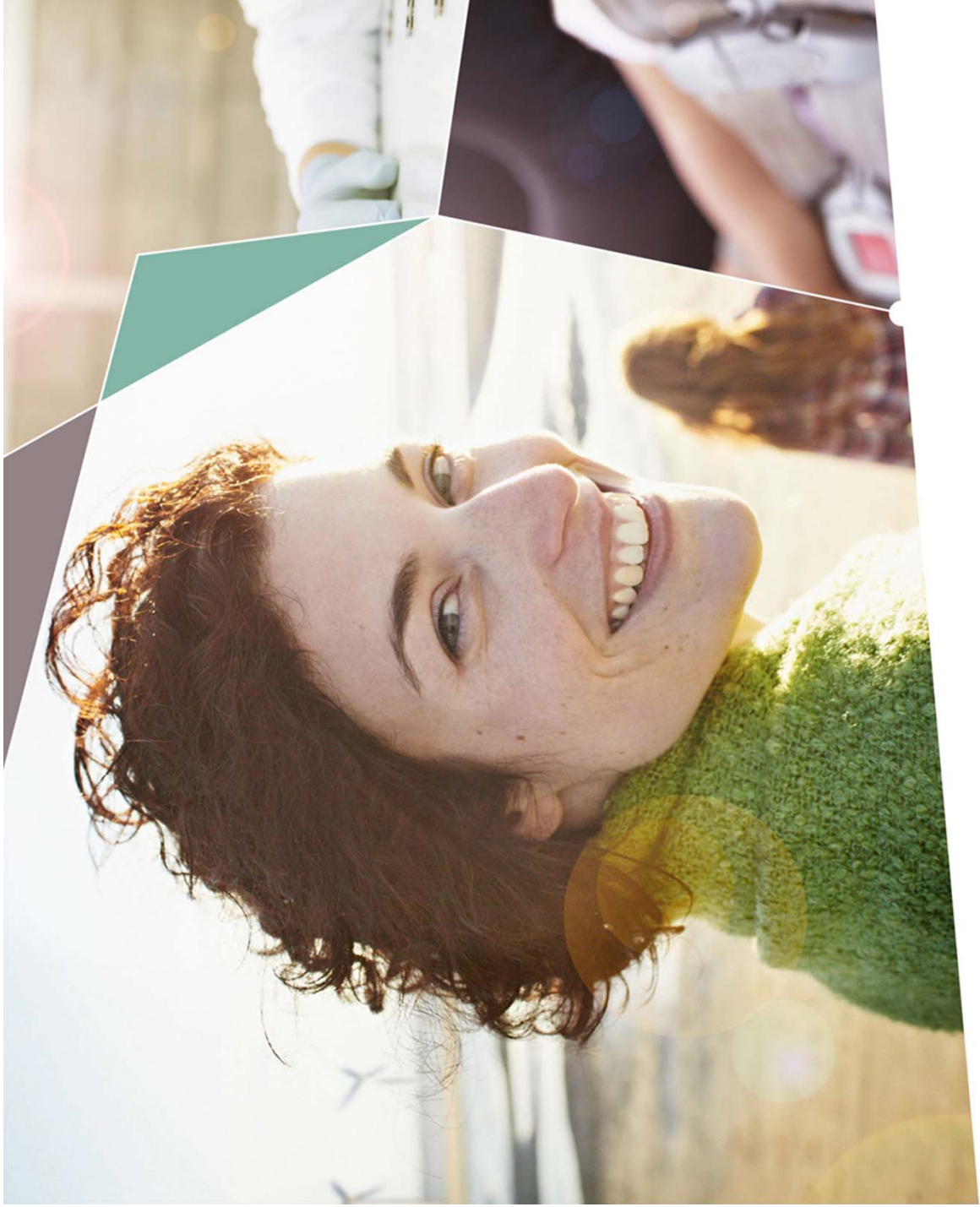


# Board TOP Layer



# Board BOTTOM Layer





Part of your life. Part of tomorrow.

## Looking for pricing, stock, or lifecycle information?

Click below to explore more details on WIN SOURCE:

- ⊖ [View TLS203B0LDVBOARDTOBO1 on WIN SOURCE](#)
- ⊖ [Infineon Technologies Information](#)

## Optimize Your Supply Chain with WIN SOURCE Solutions

- ✓ Global Sourcing Solution
- ✓ Obsolete Management
- ✓ Cost Control Management
- ✓ Shortage Management
- ✓ Alternative Solution
- ✓ Excess Inventory Management