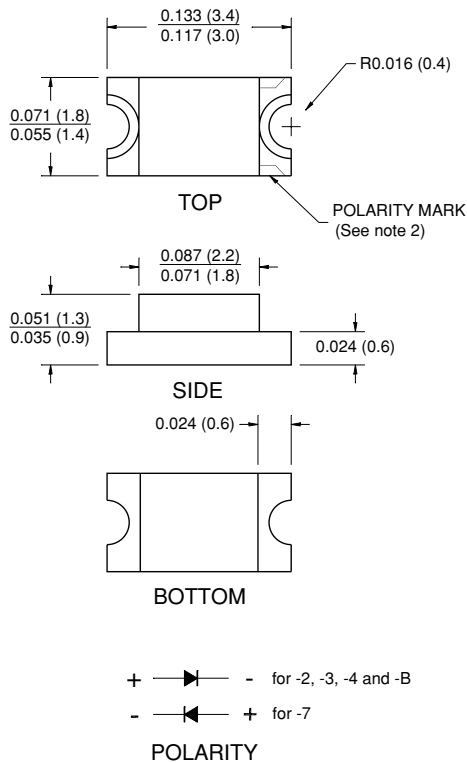




QTLP650C-2 / QTLP650D-2 HER  
 QTLP650C-4 / QTLP650D-4 Green  
 QTLP650C-B Blue

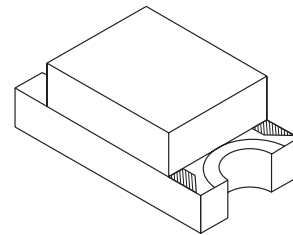
QTLP650C-3 / QTLP650D-3 Yellow  
 QTLP650C-7 / QTLP650D-7 AlGaAs Red

### PACKAGE DIMENSIONS



**NOTE:**

1. Dimensions for all drawings are in inches (mm).
2. Cathode for -2, -3, -4 and B. Anode for -7.



### APPLICATIONS

- Keypad backlighting
- Push-button backlighting
- LCD backlighting

### DESCRIPTION

These surface mount chip LEDs are designed to fit industry standard footprint. Low profile and wide viewing angle make these LEDs ideal choices for backlighting applications and panel illumination.

### FEATURES

- Small footprint - 3.2(L) X 1.6(W) X 1.1(H) mm
- Wide viewing angle of 140°(QTLP650C) or 160°(QTLP650D)
- Water clear (QTLP650C) or diffused (QTLP650D) optics
- Moisture-proof packaging
- Available in 0.315" (8mm) width tape on 7" (178mm) diameter reel; 2,000 units per reel

QTLP650C-2 / QTLP650D-2 HER

QTLP650C-3 / QTLP650D-3 Yellow

QTLP650C-4 / QTLP650D-4 Green

QTLP650C-7 / QTLP650D-7 AlGaAs Red

QTLP650C-B Blue

**ABSOLUTE MAXIMUM RATINGS** ( $T_A = 25^\circ\text{C}$  Unless otherwise specified)

Parameter	Symbol	QTLP650C / QTLP650D					Units
		-2	-3	-4	-7	-B*	
Continuous Forward Current	$I_F$	30	30	30	30	30	mA
Peak Forward Current ( $f = 1.0 \text{ KHz}$ , Duty Factor = 1/10)	$I_{FM}$	160	160	160	180	100	mA
Reverse Voltage ( $I_R = 10 \mu\text{A}$ )	$V_R$	5	5	5	5	5	V
Power Dissipation	$P_D$	84	84	84	72	135	mW
Operating Temperature	$T_{OPR}$	-40 to +85					$^\circ\text{C}$
Storage Temperature	$T_{STG}$	-40 to +90					$^\circ\text{C}$
Lead Soldering Time	$T_{SOL}$	260 for 5 sec					$^\circ\text{C}$

**ELECTRICAL / OPTICAL CHARACTERISTICS** ( $T_A = 25^\circ\text{C}$ )

Part Number	Symbol	QTLP650C / QTLP650D					Condition
		-2	-3	-4	-7	-B*	
Luminous Intensity (mcd)	$I_V$	4 / 3	4 / 3	6 / 5	10 / 8	10 / -	$I_F = 20\text{mA}$
Minimum		10 / 8	10 / 8	10 / 8	20 / 15	20 / -	
Typical	$V_F$	2.8	2.8	2.8	2.4	4.5	$I_F = 20\text{mA}$
Forward Voltage (V)		2.0	2.0	2.1	1.9	3.8	
Maximum	$\lambda_P$	635	585	565	660	430	$I_F = 20\text{mA}$
Typical		$\lambda_D$	630	590	570	645	
Wavelength (nm)	$\Delta\lambda$	45	35	30	20	65	$I_F = 20\text{mA}$
Peak	$2\Theta_{1/2}$	140 / 160	140 / 160	140 / 160	140 / 160	140 / -	$I_F = 20\text{mA}$
Dominant							
Spectral Line Half Width (nm)							
Viewing Angle ( $^\circ$ )							

\* Available only in QTLP650C

QTLP650C-2 / QTLP650D-2 HER  
QTLP650C-4 / QTLP650D-4 Green  
QTLP650C-B Blue

QTLP650C-3 / QTLP650D-3 Yellow  
QTLP650C-7 / QTLP650D-7 AlGaAs Red

## TYPICAL PERFORMANCE CURVES

Fig. 1 Forward Current vs. Forward Voltage

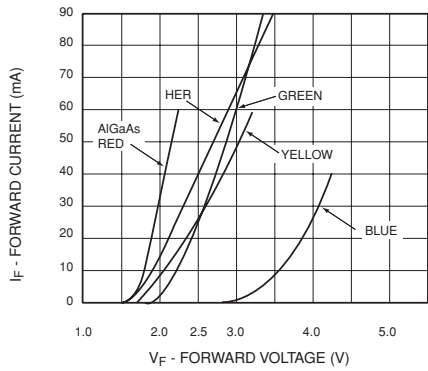


Fig. 2 Relative Luminous Intensity vs. DC Forward Current

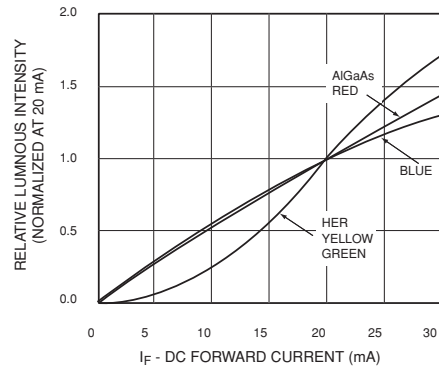


Fig. 3 Relative Intensity vs. Peak Wavelength

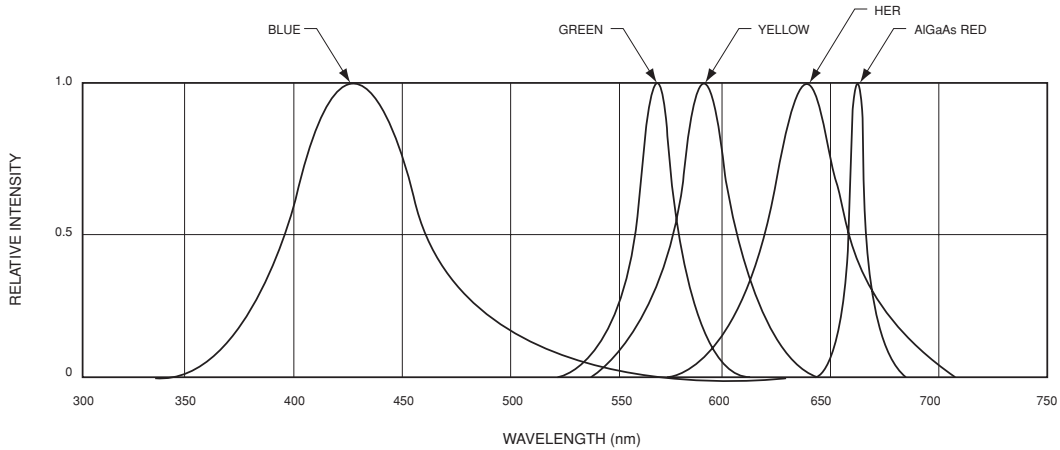


Fig. 4 Radiation Diagram

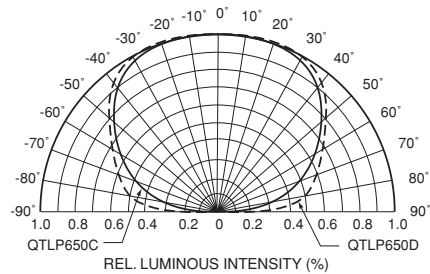
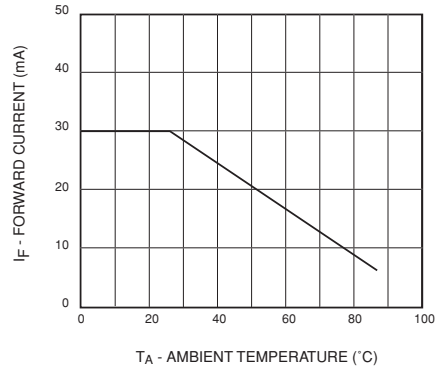


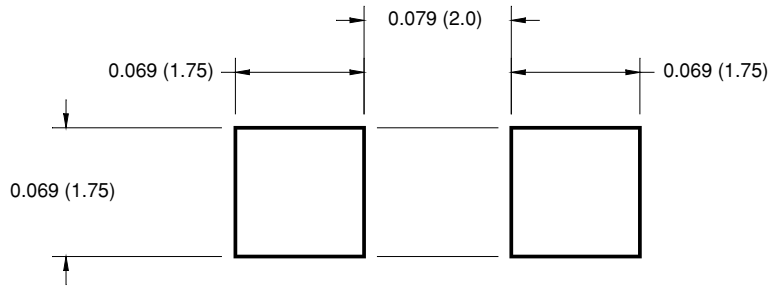
Fig. 5 Maximum Forward Current vs. Ambient Temperature



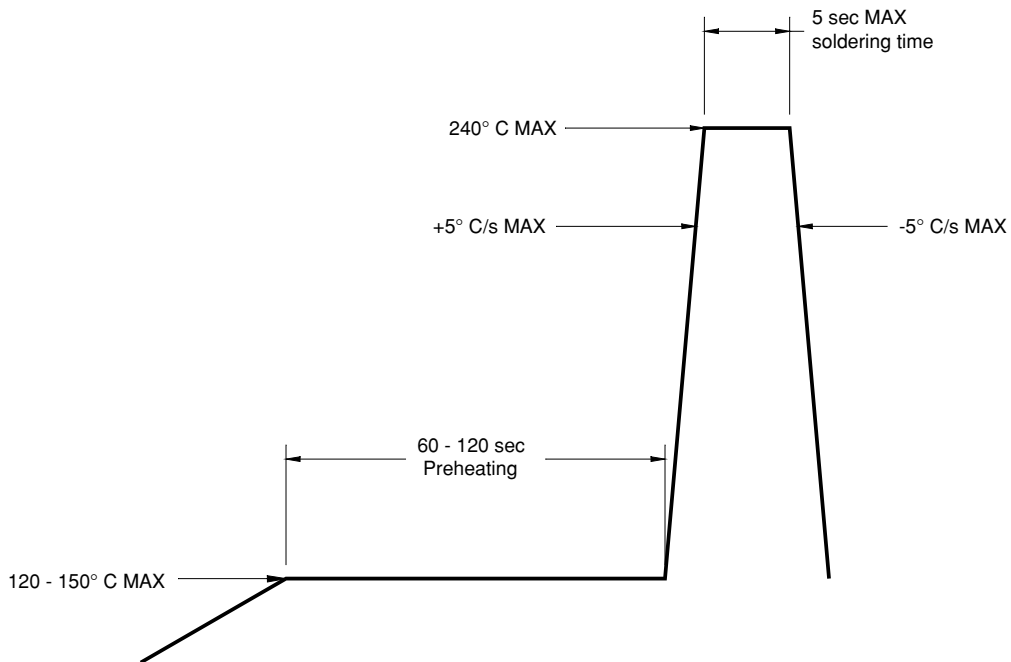
QTLP650C-2 / QTLP650D-2 HER  
 QTLP650C-4 / QTLP650D-4 Green  
 QTLP650C-B Blue

QTLP650C-3 / QTLP650D-3 Yellow  
 QTLP650C-7 / QTLP650D-7 AlGaAs Red

**RECOMMENDED PRINTED CIRCUIT BOARD PATTERN**



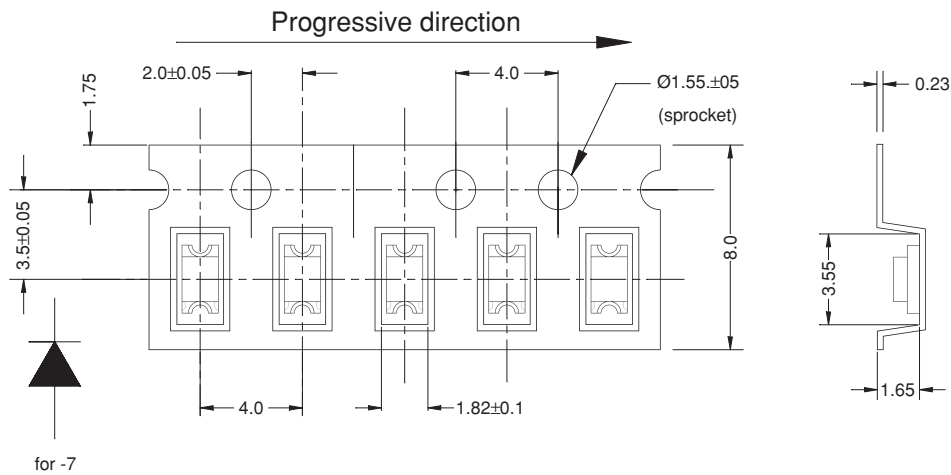
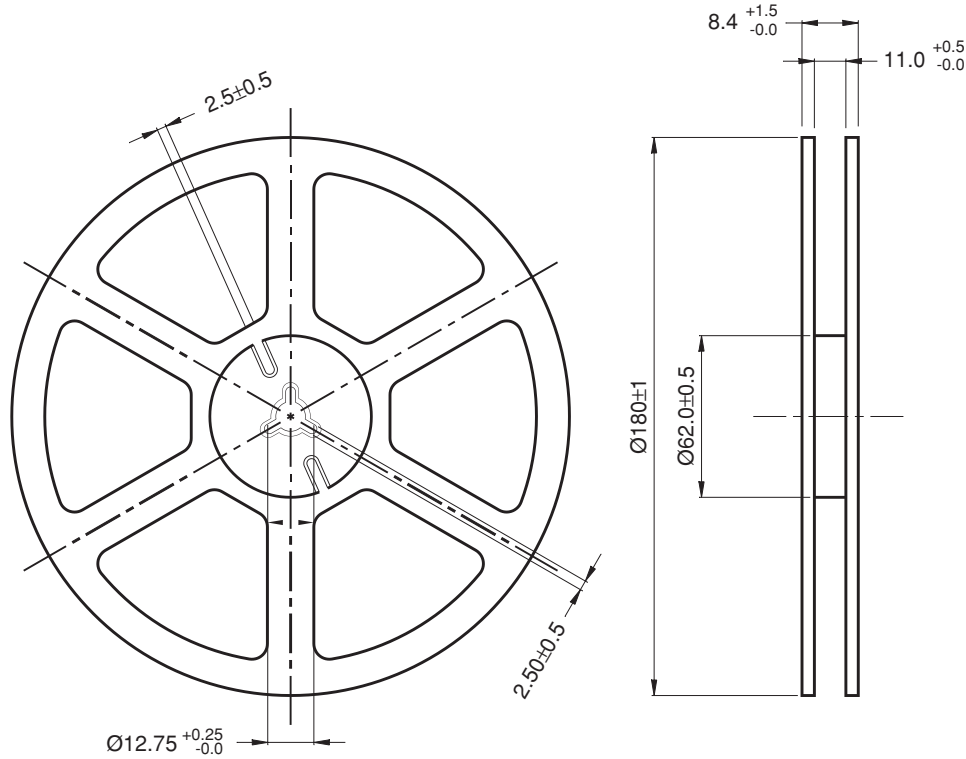
**RECOMMENDED IR REFLOW SOLDERING PROFILE**



QTLP650C-2 / QTLP650D-2 HER  
 QTLP650C-4 / QTLP650D-4 Green  
 QTLP650C-B Blue

QTLP650C-3 / QTLP650D-3 Yellow  
 QTLP650C-7 / QTLP650D-7 AlGaAs Red

### TAPE AND REEL DIMENSIONS

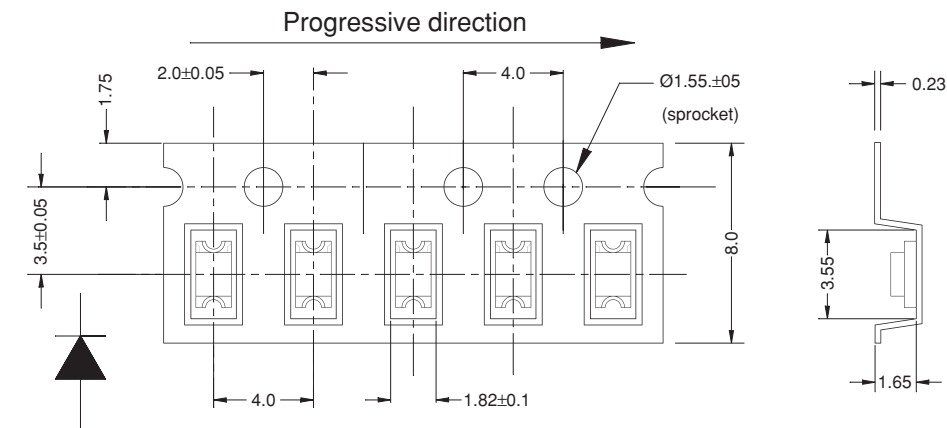
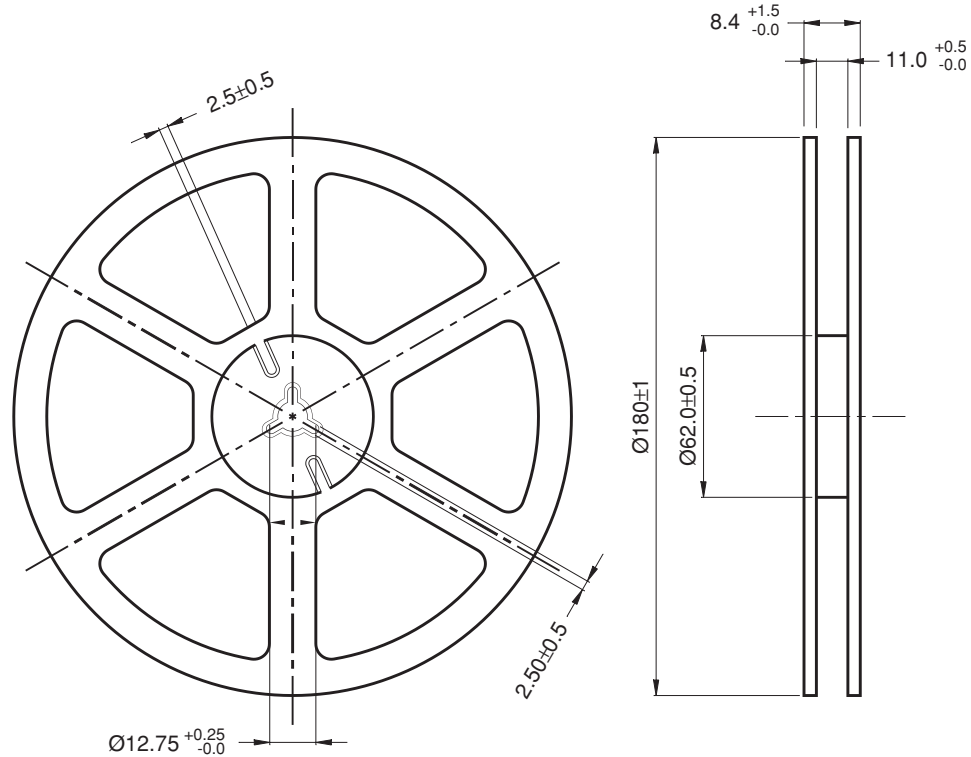


**Polarity** Dimensional tolerance is  $\pm 0.1$  mm unless otherwise specified  
 Angle:  $\pm 0.5$   
 Unit: mm  
 Polarity marks on opposite sprocket side.

QTLP650C-2 / QTLP650D-2 HER  
QTLP650C-4 / QTLP650D-4 Green  
QTLP650C-B Blue

QTLP650C-3 / QTLP650D-3 Yellow  
QTLP650C-7 / QTLP650D-7 AlGaAs Red

### TAPE AND REEL DIMENSIONS



for -2, -3, -4 and -B

Polarity

Dimensional tolerance is  $\pm 0.1$  mm unless otherwise specified

Angle:  $\pm 0.5$

Unit: mm

Polarity marks on the sprocket side.

---

**QTLP650C-2 / QTLP650D-2** HER

**QTLP650C-3 / QTLP650D-3** Yellow

**QTLP650C-4 / QTLP650D-4** Green

**QTLP650C-7 / QTLP650D-7** AlGaAs Red

**QTLP650C-B** Blue

---

#### **DISCLAIMER**

FAIRCHILD SEMICONDUCTOR RESERVES THE RIGHT TO MAKE CHANGES WITHOUT FURTHER NOTICE TO ANY PRODUCTS HEREIN TO IMPROVE RELIABILITY, FUNCTION OR DESIGN. FAIRCHILD DOES NOT ASSUME ANY LIABILITY ARISING OUT OF THE APPLICATION OR USE OF ANY PRODUCT OR CIRCUIT DESCRIBED HEREIN; NEITHER DOES IT CONVEY ANY LICENSE UNDER ITS PATENT RIGHTS, NOR THE RIGHTS OF OTHERS.

#### **LIFE SUPPORT POLICY**

FAIRCHILD'S PRODUCTS ARE NOT AUTHORIZED FOR USE AS CRITICAL COMPONENTS IN LIFE SUPPORT DEVICES OR SYSTEMS WITHOUT THE EXPRESS WRITTEN APPROVAL OF THE PRESIDENT OF FAIRCHILD SEMICONDUCTOR CORPORATION. As used herein:

1. Life support devices or systems are devices or systems which, (a) are intended for surgical implant into the body, or (b) support or sustain life, and (c) whose failure to perform when properly used in accordance with instructions for use provided in the labeling, can be reasonably expected to result in a significant injury of the user.
2. A critical component in any component of a life support device or system whose failure to perform can be reasonably expected to cause the failure of the life support device or system, or to affect its safety or effectiveness.

## Looking for pricing, stock, or lifecycle information?

Click below to explore more details on WIN SOURCE:

 [View QTLP650D2TR on WIN SOURCE](#)

 [ON Semiconductor](#) Information

## Optimize Your Supply Chain with WIN SOURCE Solutions

-  Global Sourcing Solution
-  Obsolete Management
-  Cost Control Management
-  Shortage Management
-  Alternative Solution
-  Excess Inventory Management