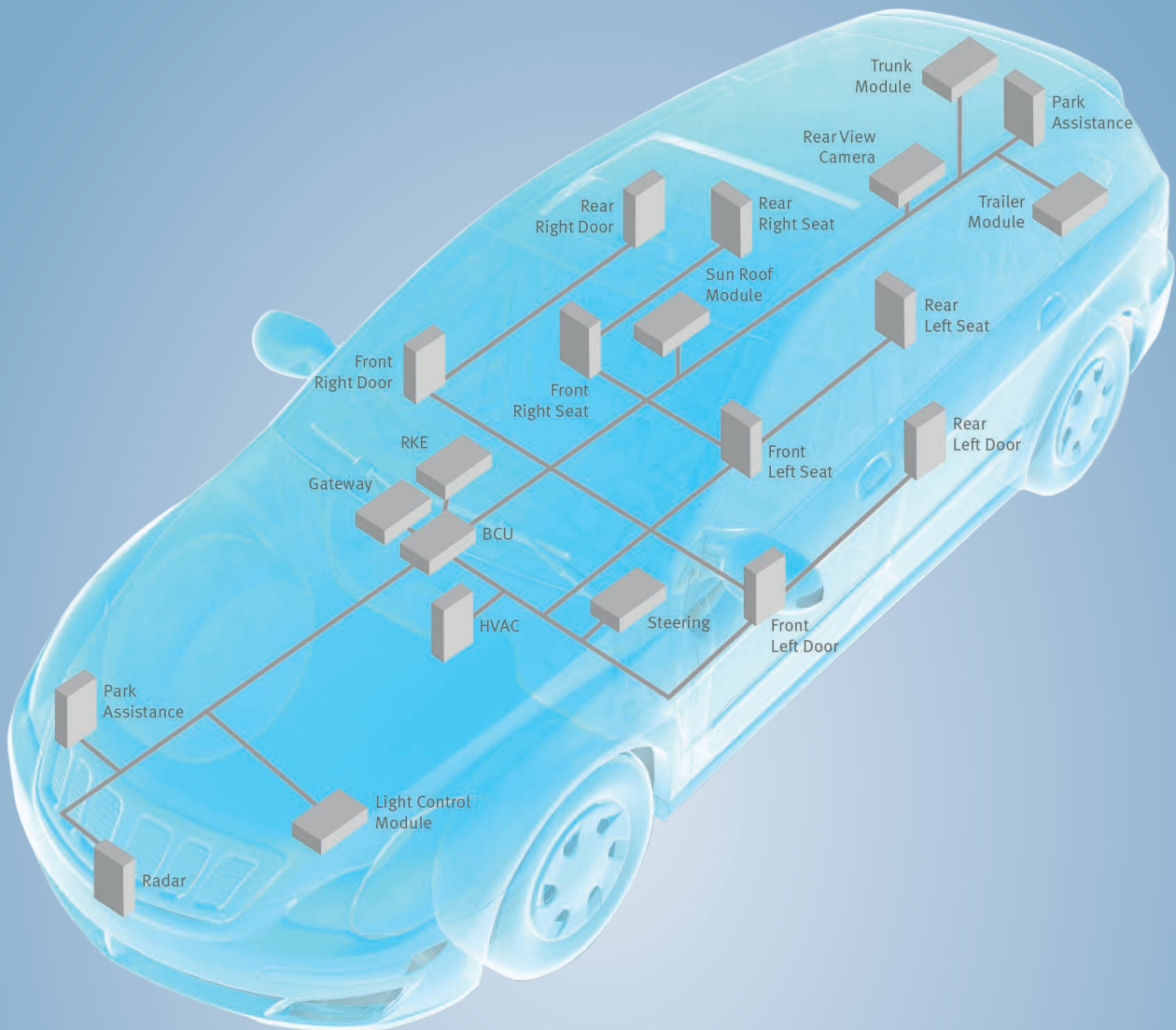


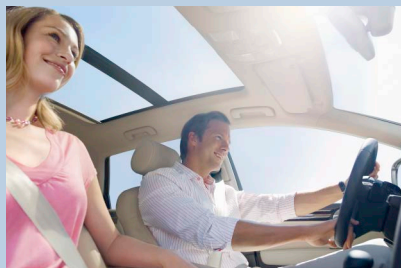


**THE DATASHEET OF
TLE92603QXXUMA1**





The Path to Robust Automotive Networking





Content

Introduction	4
Products Overview	7
Automotive Transceivers	8
System Basis Chips (SBCs)	12
Infineon® Embedded Power ICs	18
Microcontrollers	25
Support Tools	28
System Basis Chips (SBCs)	28
Infineon® Embedded Power ICs	29
Microcontrollers	30
Packages Overview	32

Automotive Networking

Automotive networking technology is evolving fast, driven by a number of key trends. With an ever-increasing number of cars on the road and rising fuel costs, demands for energy efficiency are growing. Worldwide legislation is establishing ever-stricter caps on CO₂ emissions. The spotlight is also on functional safety. With the ISO 26262 automotive standard increasingly moving into applications that were not typically safety-relevant, the bar is moving upwards and we are seeing increasingly granular system safety concepts. At the same time, complexity is on the increase. Growing consumer expectations are fuelling new comfort and safety features also in low-end segments, and this, in turn, is placing pressure on semiconductor manufacturers to reduce complexity through hardware/software compatibility and design-in support.

Last but not least, standardized, high-performance communication interfaces and protocols are needed to support the growing volume of data shared across automotive networks. CAN & LIN are the most commonly used interfaces. High-speed infotainment tends, however, to rely on Ethernet and MOST, but these involve high implementation costs. Partial networking and flexible data rates (e.g. CAN FD) can help to balance cost/performance here.

World leader in automotive electronics for over 40 years, we actively engage with many industry, standardization and research organizations to drive in-vehicle networking innovations capable of meeting today's demands for energy efficiency, safety, smooth interfacing and complexity management. Our broad portfolio extends from stand-alone transceivers through system basis chips to embedded power solutions for CAN, LIN and FlexRay protocols. We also offer microcontrollers with enhanced communication capabilities to support multiple protocols. All of our products are designed to deliver the exceptional levels of ESD and EMC performance required in automotive environments. And to ease and accelerate your design-in process, we offer a range of demo boards, configuration tools, tool chains and development platforms.

Automotive Standards

Infineon is actively participating as a member in several standardization groups and is also funding some research projects with major OEM's in terms of networking:



Local Interconnect Network (LIN) is used to interconnect sensors and actuators where the high bandwidth and fast reaction time is not required.



High-Speed Controlled Area Network (HS-CAN) is the most used communication interface in automotive and allows communication speed up to 1Mbps, frame up to 8 data bytes and a high level of data integrity.



CAN Partial Networking (PN) or Selective Wake has been introduced as a solution to reduce the current consumption in active mode allowing to set selectively an ECU in low power or active mode.



CAN with Flexible Data-Rate (CAN FD) extends the performance of HS-CAN with a very low system effort. Up to 5Mbps communication speed and up to 64 data bytes per frame can be reached using the same physical layer.



FlexRay provides up to 10Mbps communication speed per channel for advanced in-vehicle control applications. It provides a fault-tolerant network for safety critical applications.

Ethernet – Ethernet technology rolls out the path to the next level of connectivity and provides not only improved bandwidth for e.g. ADAS application, but also lower latencies for control applications based on proved and well-known standards.

Your Partner of Trust for Automotive Network Solutions

Infineon Automotive Networking Products

- Comprehensive product portfolio of standalone transceivers, system basis chips and embedded power solutions
- Microcontrollers with enhanced communication capabilities to support flexible communication protocols



World leader in automotive electronics for 40 years, Infineon focuses on the in-vehicle networking, a major driver today for innovation in the automotive field, meeting the ever-increasing demands of consumers for energy efficiency, mobility and security.



With over fifteen years' experience developing communication interfaces, Infineon offers a broad product portfolio of standalone transceivers, system basis chips, embedded power solutions for CAN, LIN and FlexRay protocols. AURIX™ microcontrollers with enhanced communication capabilities to support flexible communication protocols such as LIN, SPI, I²C, CAN, CAN FD, FlexRay™, Ethernet, DigRF/LVDS complement the offering.



Continuously improving its SPT chip technology, Infineon provides solutions for the challenges faced by the automotive industry, featuring outstanding ESD robustness and EMC performance to fulfill the latest OEM requirements.



In this brochure Infineon introduces its standalone transceiver, system basis chip, embedded power & AURIX™ microcontroller portfolio, with a detailed description of their distinctive key features and benefits.

For more detailed information please visit the Infineon website at www.infineon.com/Automotive-Networking or contact your sales or distribution partners www.infineon.com/WhereToBuy.



Products Overview

Protocol/Product Type	LIN	High-Speed CAN	High-Speed CAN + LIN	FlexRay
Standalone Transceivers	TLE7257SJ/LE TLE7258SJ/LE TLE7259-3GE/-3LE TLE7269G	TLE6250G/GV33 TLE7250G/GVIO TLE8250G/GVIO TLE6251D/DS TLE6251-2G/-3G		TLE9221SX TLE9222PX ¹⁾
System Basis Chips		TLE826x TLE926x	TLE826x TLE926x	
Infineon® Embedded Power	TLE983x ²⁾ TLE986x ²⁾ TLE987X ²⁾			

1) In development

2) In development, samples available

SPT: Smart Power Technology

SBC: System Basis Chip

EMC: Electro Magnetic Compatibility

CAN: Controller Area Network

ESD: Electro Static Discharge

OEM: Original Equipment Manufacturer

LIN: Local Interconnect Network

ePower: Infineon® Embedded Power

CAN PN: CAN Partial Networking

CAN FD: CAN with Flexible Data-rate



Automotive Transceivers

Because of the ever-increasing demand for data exchange in modern vehicles, the automotive industry implemented networks like CAN (Controller Area Network), LIN (Local Interconnect Network) and FlexRay protocol-based bus systems.

Infineon is offering a broad product portfolio of automotive transceivers for these different automotive bus segments, that are perfectly suited and designed to withstand the harsh automotive environment.

Dependent on the respective vehicle network architecture and the related ECU supply path, different transceiver types are used. Infineon transceivers ensure reliable communication and help minimize the current consumption and the related CO₂-emissions at the vehicle level. The Infineon transceiver products provide the best value through high performance, ruggedness and reliable communication.

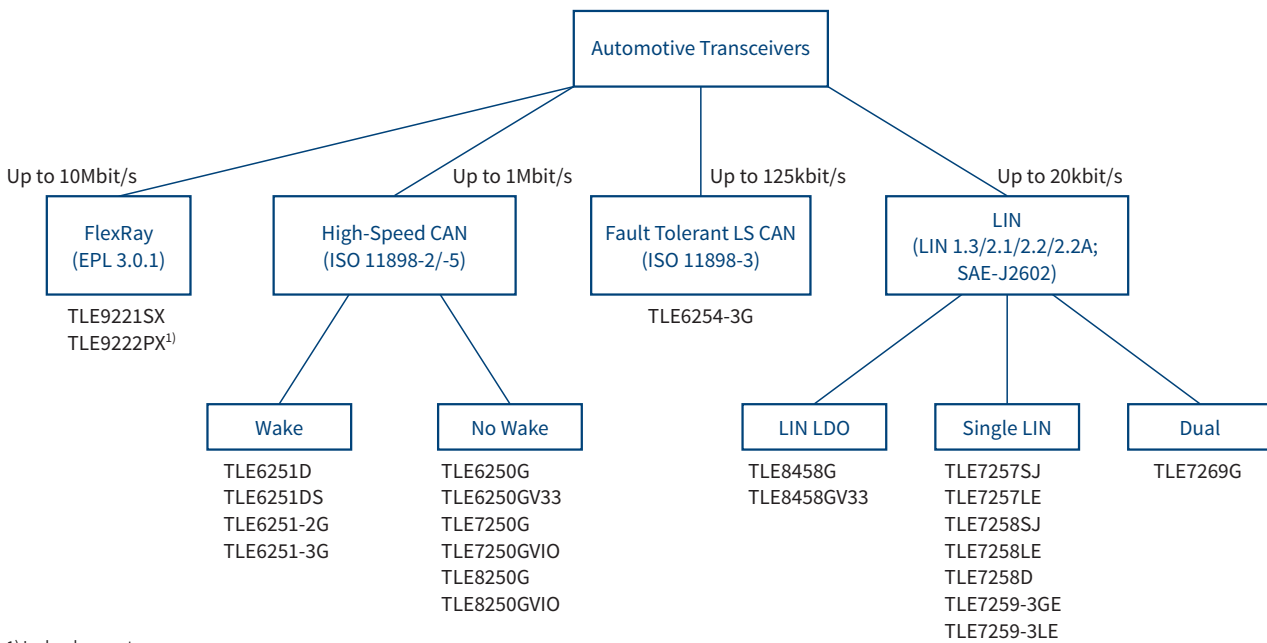
Key Features and Benefits

- Broad product portfolio
- Outstanding ESD robustness
- Excellent EMC performance
- Low quiescent currents
- Worldwide OEM approval
- Highest quality
- Transceiver family concept





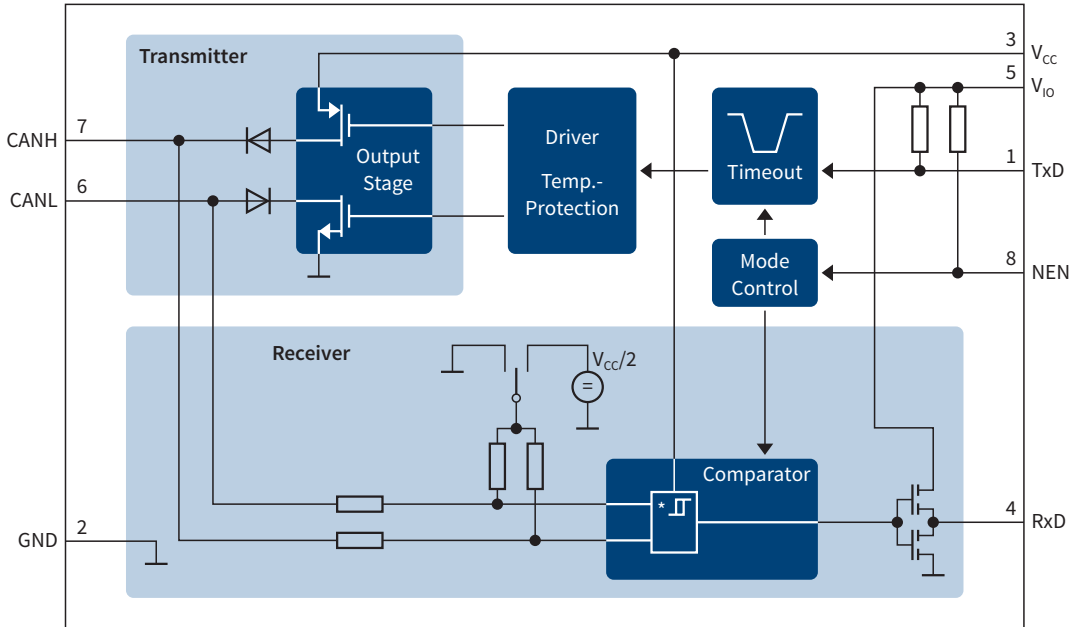
Selection Tree Automotive Transceivers



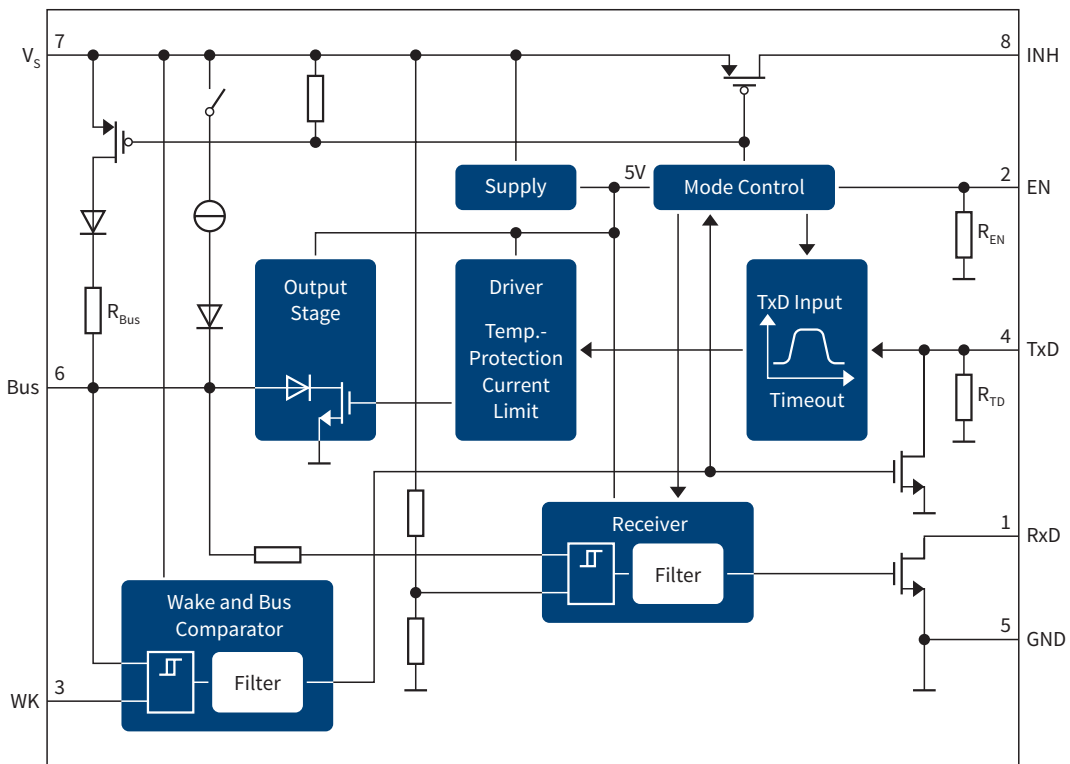
1) In development

Automotive Transceivers

Block Diagram Example High-Speed CAN: TLE7250GVIO



Block Diagram Example LIN: TLE7259-3GE



Product Table

Product Type	Transmission Rate (max)	I _q [μA]	Bus Wake-up Capability	Wake-up Inputs	Number of Channel	Bus Failure Management	Package
High-Speed CAN ISO 11898-2							
TLE6250G	1Mbit/s	< 10 @ 5V stand-by			1		PG-DSO-8
TLE6250GV33	1Mbit/s	< 10 @ 5V stand-by			1		PG-DSO-8
TLE7250G	1Mbit/s	< 10 @ 5V stand-by			1		PG-DSO-8
TLE7250GVIO	1Mbit/s	< 10 @ 5V stand-by			1		PG-DSO-8
TLE8250G	1Mbit/s	< 10 @ 5V stand-by			1		PG-DSO-8
TLE8250GVIO	1Mbit/s	< 10 @ 5V stand-by			1		PG-DSO-8
High-Speed CAN ISO 11898-5							
TLE6251-2G	1Mbit/s	< 30 sleep mode	•	•	1	•	PG-DSO-14
TLE6251-3G	1Mbit/s	< 30 sleep mode	•	•	1	•	PG-DSO-14
TLE6251DS	1Mbit/s	< 30 @ 5V stand-by	•		1		PG-DSO-8
TLE6251D	1Mbit/s	< 30 @5V stand-by	•		1		PG-DSO-8
Fault-tolerant CAN ISO 11898-3							
TLE6254-3G	125kbit/s	< 65 sleep mode	•	•	1	•	PG-DSO-14
LIN/SAE J2602/k-line							
TLE6258-2G	20kbit/s	< 40 stand-by mode			1		PG-DSO-8
TLE7257SJ TLE7257LE	NEW! NEW!	20kbit/s	< 10 sleep mode	•		•	PG-DSO-8 TSON-8
TLE7258SJ TLE7258LE	NEW! NEW!	20kbit/s	< 10 sleep mode	•		•	PG-DSO-8 TSON-8
TLE7259-3GE TLE7259-3LE	NEW! NEW!	20kbit/s	< 10 sleep mode	•	•	•	PG-DSO-8 TSON-8
TLE7269G	20kbit/s	< 10 sleep mode	•	•	2	•	PG-DSO-14
TLE8458	20kbit/s	< 10 sleep mode	•	•	1	•	PG-DSO-8
FLexRay							
TLE9221SX	NEW!	10Mbit/s	< 45 sleep mode	•	•	•	PG-SSOP-16
TLE9222PX ¹⁾		10Mbit/s	< 40 stand-by mode	•		•	PG-TSSOP-14

1) In development

System Basis Chips (SBCs)

The Driver SBCs Family

The Driver SBC is the first family of the new generation of Infineon SBC in an exposed pad PG-VQFN-48 (7mm x 7mm) power package. The family offers several variants to meet the different application requirements. The devices are designed for various CAN-LIN automotive body applications as a main supply for the microcontroller and as an interface for a CAN and LIN bus network (optional CAN partial networking). To support these applications, the Driver SBC provides the main functions, such as a 5V low-dropout voltage regulator (LDO) for microcontroller supply, a 5V low-dropout voltage regulator with short circuit protection against supply voltage V_s for e.g. sensor

supply, HS-CAN transceiver and LIN transceiver for data transmission, fully protected low- and high-side switches, and a 16-bit Serial Peripheral Interface (SPI) to control and monitor the device. Also implemented are a Window Watchdog circuit with a reset feature, a fail output and an under voltage reset feature. The device offers low-power modes in order to support applications that are connected permanently to the battery. A wake up from the low-power mode is possible via a message on the buses, via the bi-level sensitive monitoring/wake-up inputs as well as via cyclic wake. The device is designed to withstand the severe conditions of automotive applications.

Features

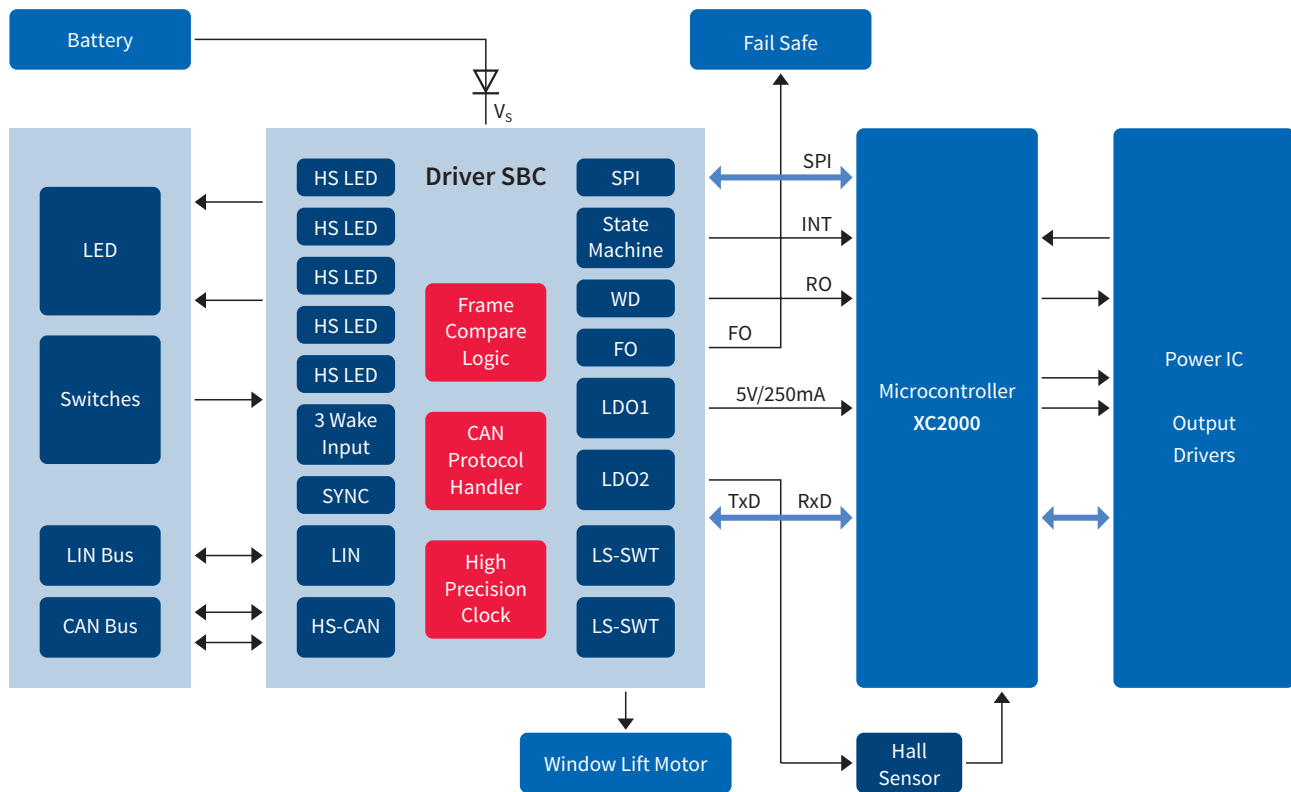
- Low-drop voltage regulator 5V, 250mA
- Low-drop voltage regulator 5V, 100mA, robust against short to V_s
- High-speed CAN transceiver ISO 11898-2/5
- LIN transceiver LIN 2.2, J2602-2
- Fully compliant to “Hardware Requirements for LIN, CAN and FlexRay Interfaces in Automotive Applications” Revision 1.3, 2012-05-04
- Two low-side outputs and six high-side outputs
- Four wake inputs, reset output and fail output
- Overtemperature and short circuit protection feature

Applications

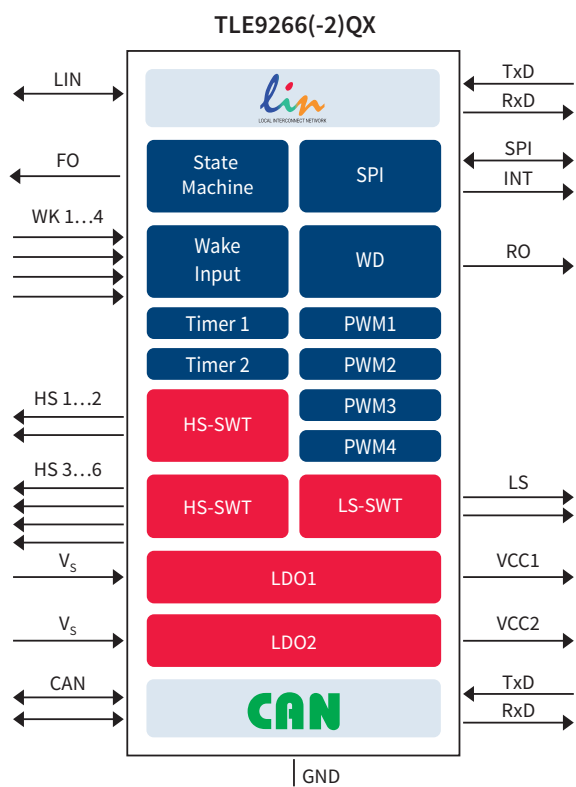
- Door control units
- Central body computer
- Low-cost bodycontrol
- HVAC control module
- Trunk control module
- Seat control
- Roof module



Application Diagram



Block Diagram



System Basis Chips (SBCs)

The Mid-Range SBCs Family

Mid-Range SBC family offers a high level of integration, performance and scalability. Up to three low-drop voltage regulators with 5V or 3.3V output voltage, one HS CAN (including partial networking and flexible data-rate) and up to two LIN transceivers complying with the latest automotive standards and OEM requirements.

The devices include fail-safe features to support ECU functional safety concept like under-voltage monitoring, window watchdog with reset, fail-safe operating mode,

fail-safe outputs. There are also available four high-side switches to drive external loads, wake-inputs and general purpose input-outputs (GPIOs) to monitor inputs or activate loads. Mid-Range SBCs offer low-power modes in order to support applications that are connected permanently to the battery. All devices feature an exposed pad PG-VQFN-48 (7mm x 7mm) power package (supporting Automatic Optical Inspection). The entire family is pin-to-pin and software compatible and is designed to withstand the severe conditions of automotive applications.

Features

- Low-drop voltage regulator (5V or 3.3V up to 250mA)
- Low-drop voltage regulator (5V up to 100mA), robust against short to V_s
- Voltage regulator (5V, 3.3V or 1.8V) with external PNP transistor, robust against short to V_s
- High-speed CAN transceiver ISO 11898-2/-5/-6: suitable for chokeless operation up to 500kbit/s
- High-speed CAN transceiver supporting CAN FD communication up to 2Mbit/s featuring CAN Partial Networking FD Tolerant mode¹⁾
- Two LIN transceivers LIN2.2/J2602
- Four high-side outputs 7Ω typ., two HV GPIOs and three HV wake inputs
- Watchdog, cyclic sensing, interrupt and reset output
- Integrated fail-safe functions: 3 fail-safe outputs, Watchdog, fail-safe operating modes
- Voltage, current and temperature protection and monitoring
- Fully compliant to “Hardware Requirements for LIN, CAN and FlexRay Interfaces in Automotive Applications” Revision 1.3, 2012-05-04

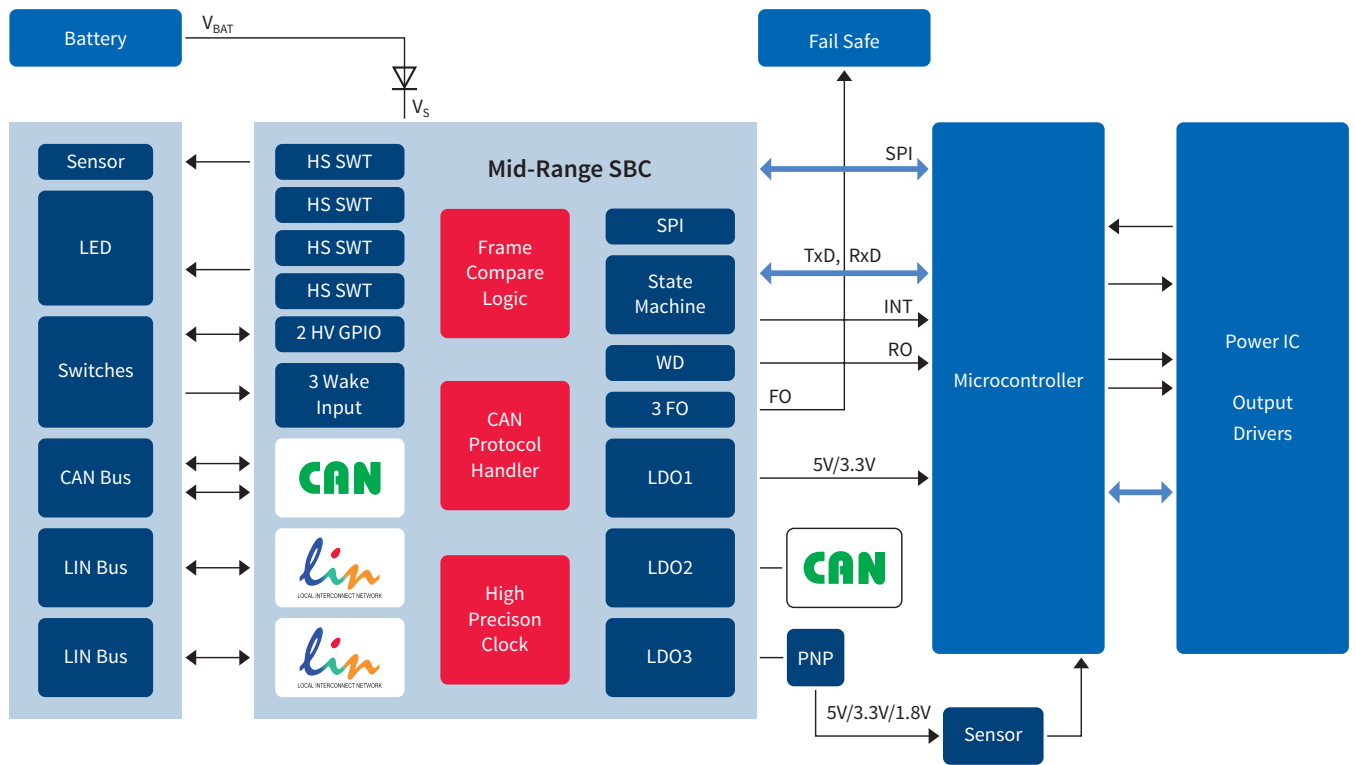
Applications

- Body control modules
- Gateway
- Climate control
- Seat control
- Door control and closures
- Light control modules
- Engine management systems

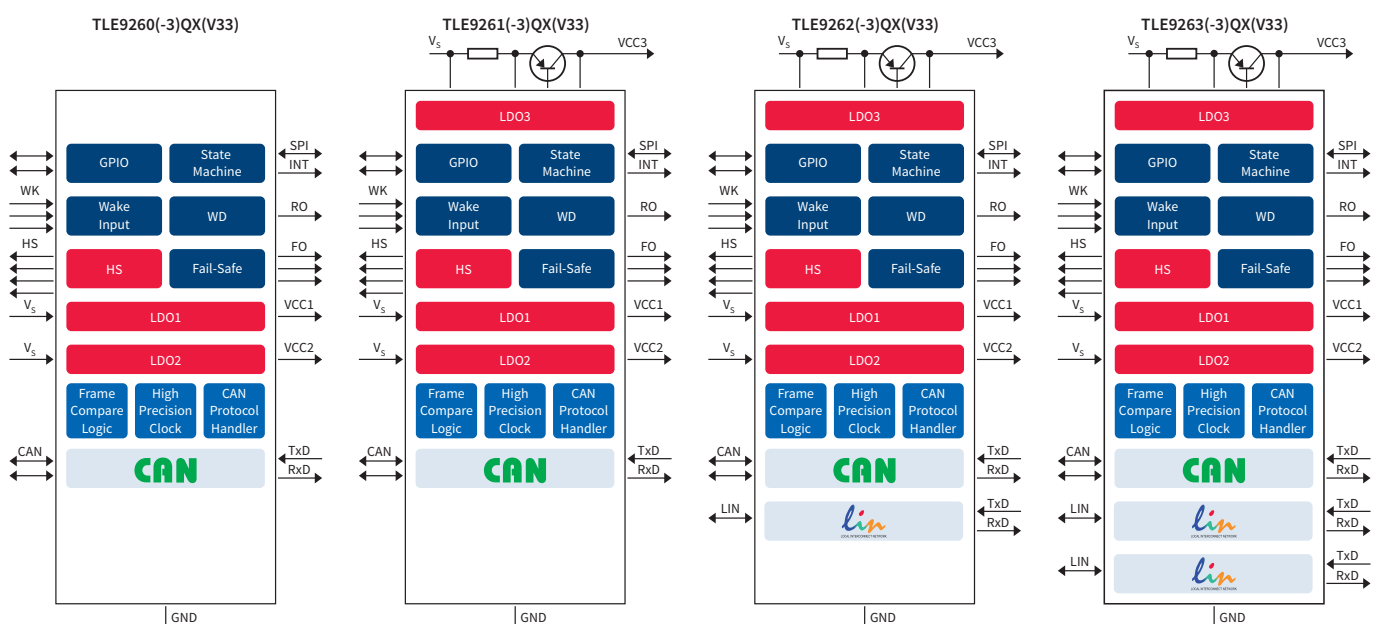
¹⁾ The CAN FD requirements for Transceiver are not finalized. All statements regarding CAN FD are therefore based on Infineon's today's knowledge and expectation on the future CAN FD standard currently being worked out.



Application Diagram



The Mid-Range SBCs Family



System Basis Chips (SBCs)

Body System ICs – System Basis Chips Product Overview

Product Type	Family Name	Transmission Rate (max)	I_q [μ A]	I_q [μ A]	V_{reg_1} [V]	V_{reg_2} [V]
High-Speed CAN ISO 11898-5 / LIN 2.x and SAE J2602						
TLE9266QX	Driver SBC	1Mbit/s (CAN) 20kbit/s 10.4kbit/s (LIN)	25 (typ) Sleep Mode (V_{reg_1} off)	53 (typ) Stop Mode (V_{reg_1} on)	250mA @ 5V	100mA @ 5V
TLE9266-2QX	Driver SBC	1Mbit/s (CAN) 20kbit/s 10.4kbit/s (LIN)	25 (typ) Sleep Mode (V_{reg_1} off)	53 (typ) Stop Mode (V_{reg_1} on)	250mA @ 5V	100mA @ 5V
TLE9260QX(V33) ¹⁾	Mid-Range SBC	2Mbit/s (CAN) 20kbit/s 10.4kbit/s (LIN)	30 (typ) Sleep Mode (V_{reg_1} off)	50 (typ) Stop Mode (V_{reg_1} on)	250mA @ 5V (3.3V on V33 variant)	100mA @ 5V
TLE9261QX(V33) ¹⁾	Mid-Range SBC	2Mbit/s (CAN) 20kbit/s 10.4kbit/s (LIN)	30 (typ) Sleep Mode (V_{reg_1} off)	50 (typ) Stop Mode (V_{reg_1} on)	250mA @ 5V (3.3V on V33 variant)	100mA @ 5V
TLE9262QX(V33) ¹⁾	Mid-Range SBC	2Mbit/s (CAN) 20kbit/s 10.4kbit/s (LIN)	30 (typ) Sleep Mode (V_{reg_1} off)	50 (typ) Stop Mode (V_{reg_1} on)	250mA @ 5V (3.3V on V33 variant)	100mA @ 5V
TLE9263QX(V33) ¹⁾	Mid-Range SBC	2Mbit/s (CAN) 20kbit/s 10.4kbit/s (LIN)	30 (typ) Sleep Mode (V_{reg_1} off)	50 (typ) Stop Mode (V_{reg_1} on)	250mA @ 5V (3.3V on V33 variant)	100mA @ 5V
High-Speed CAN ISO 11898-6 / LIN 2.x and SAE J2602						
TLE9260-3QX(V33) ¹⁾	Mid-Range SBC	2Mbit/s (CAN) 20kbit/s 10.4kbit/s (LIN)	30 (typ) Sleep Mode (V_{reg_1} off)	50 (typ) Stop Mode (V_{reg_1} on)	250mA @ 5V (3.3V on V33 variant)	100mA @ 5V
TLE9261-3QX(V33) ¹⁾	Mid-Range SBC	2Mbit/s (CAN) 20kbit/s 10.4kbit/s (LIN)	30 (typ) Sleep Mode (V_{reg_1} off)	50 (typ) Stop Mode (V_{reg_1} on)	250mA @ 5V (3.3V on V33 variant)	100mA @ 5V
TLE9262-3QX(V33) ¹⁾	Mid-Range SBC	2Mbit/s (CAN) 20kbit/s 10.4kbit/s (LIN)	30 (typ) Sleep Mode (V_{reg_1} off)	50 (typ) Stop Mode (V_{reg_1} on)	250mA @ 5V (3.3V on V33 variant)	100mA @ 5V
TLE9263-3QX(V33) ¹⁾	Mid-Range SBC	2Mbit/s (CAN) 20kbit/s 10.4kbit/s (LIN)	30 (typ) Sleep Mode (V_{reg_1} off)	50 (typ) Stop Mode (V_{reg_1} on)	250mA @ 5V (3.3V on V33 variant)	100mA @ 5V

1) Available in Q4/2014

2) CAN FD up to 2Mbit/s

3) CAN PN FD tolerant

V_{reg} 3 [V]	CAN	LIN	Wake-up Inputs	Watchdog	Output Drivers	Package
–	1x High-Speed CAN ISO 11898-5	1x LIN 2.x and SAE J2602	3 High-Voltage and 1 Low-Voltage Wake Inputs (cyclic sense)	•	2x Low-Side Switch 250mA, 2x High-Side Switch 250mA, 4x High-Side Switch 150mA	PG-VQFN-48
–	1x High-Speed CAN ISO 11898-5	1x LIN 2.x and SAE J2602	3 High-Voltage and 1 Low-Voltage Wake Inputs (cyclic sense)	•	2x Low-Side Switch 250mA with inverted logic, 2x High-Side Switch 250mA, 4x High-Side Switch 150mA	PG-VQFN-48
–	1x High-Speed CAN ²⁾ ISO 11898-5	–	3 High-Voltage (cyclic sense)	•	4x High-Side Switch 150mA, 3 Fail-Safe Outputs	PG-VQFN-48
400mA @ 5V/3.3V (3.3V/1.8V avail. on V33 variant)	1x High-Speed CAN ²⁾ ISO 11898-5	–	3 High-Voltage (cyclic sense)	•	4x High-Side Switch 150mA, 3 Fail-Safe Outputs	PG-VQFN-48
400mA @ 5V/3.3V (3.3V/1.8V avail. on V33 variant)	1x High-Speed CAN ²⁾ ISO 11898-5	1x LIN 2.x and SAE J2602	3 High-Voltage (cyclic sense)	•	4x High-Side Switch 150mA, 3 Fail-Safe Outputs	PG-VQFN-48
400mA @ 5V/3.3V (3.3V/1.8V avail. on V33 variant)	1x High-Speed CAN ²⁾ ISO 11898-5	2x LIN 2.x and SAE J2602	3 High-Voltage (cyclic sense)	•	4x High-Side Switch 150mA, 3 Fail-Safe Outputs	PG-VQFN-48
–	1x High-Speed CAN ^{2) 3)} ISO 11898-6	–	3 High-Voltage (cyclic sense)	•	4x High-Side Switch 150mA, 3 Fail-Safe Outputs	PG-VQFN-48
400mA @ 5V/3.3V (3.3V/1.8V avail. on V33 variant)	1x High-Speed CAN ^{2) 3)} ISO 11898-6	–	3 High-Voltage (cyclic sense)	•	4x High-Side Switch 150mA, 3 Fail-Safe Outputs	PG-VQFN-48
400mA @ 5V/3.3V (3.3V/1.8V avail. on V33 variant)	1x High-Speed CAN ^{2) 3)} ISO 11898-6	1x LIN 2.x and SAE J2602	3 High-Voltage (cyclic sense)	•	4x High-Side Switch 150mA, 3 Fail-Safe Outputs	PG-VQFN-48
400mA @ 5V/3.3V (3.3V/1.8V avail. on V33 variant)	1x High-Speed CAN ^{2) 3)} ISO 11898-6	2x LIN 2.x and SAE J2602	3 High-Voltage (cyclic sense)	•	4x High-Side Switch 150mA, 3 Fail-Safe Outputs	PG-VQFN-48

Infineon® Embedded Power ICs

System on a Chip Motor Control

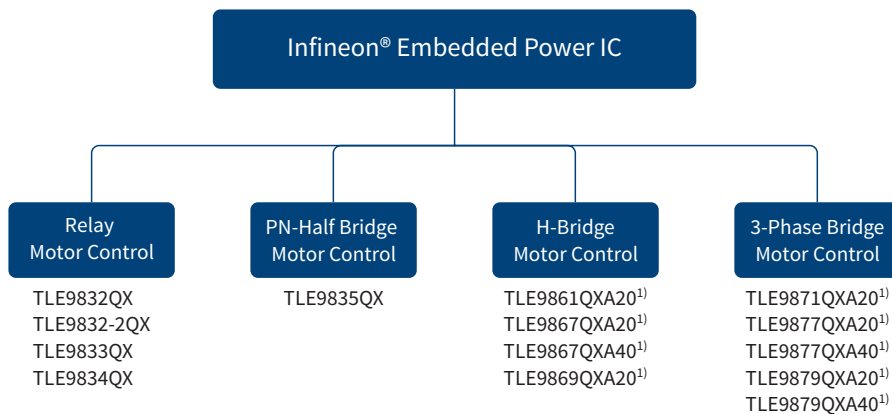
Infineon® embedded power ICs are specifically designed to enable mechatronic motor control solutions for a range of motor control applications, where a small package form factor and a minimum number of external components are essential. Examples applications include window lift, sunroof, wiper, fuel pump, HVAC fans, engine cooling fan, water pumps to name a few.

Produced on Infineon's automotive qualified smart power technologies, the Infineon embedded power System-on-

chip solutions offer an unmatched level of integration of all functions required to sense, control and actuate a motor.

The Infineon® embedded power IC integrate on single die the microcontroller, the non volatile memory, the analog and mixed signal peripherals, the communication interfaces along with the driving stages needed for either relay, or half-bridge or full-bridge DC and BLDC motor applications.

Selection Tree for Infineon Embedded Power IC Motor Control



1) In development, samples available

2nd Generation: Relay Driver IC with Integrated Microcontroller

The 2nd generation of Infineon® embedded power ICs integrates on a single die all the necessary functions to sense, control and actuate motor a via a relay or via a PN MOSFET half-bridge. The TLE983x product family integrates a high performance 8-bit microcontroller derived from the established XC800 microcontroller family with application specific power drivers, control and communication on Infineon's first-in-industry automotive qualified 130nm smart power technology. TLE983x product family improves the microcontroller performance and the product feature set over the first generation (TLE78xx) product offering.

The TLE983x product family is offered in a space saving PG-VQFN-48 package, while the first product generation is realized as a Multi-Chip-Module (MCM) in a PG-DSO-28 package.

The devices are designed for LIN based motor control applications such as window lifts, wipers, sun roofs, power seats, fan/blower control.

General Characteristics

- Operating voltage V_{Bat} : 3.0V to 27V, maximum rating 40V
- Stop mode 85µA & sleep mode 25µA
- ESD performance:
 - up to 2kV / handling on all pins
 - 4kV @ HV inputs
 - 6kV @ LIN pin
 - ECU/car handling ruggedness (gun model for pins directly connected to ECU plug/socket)
- Overvoltage device clamp (load dump ruggedness): $\geq 40V$
- Wide operating temperature range:
 T_j : -40°C up to 150°C

Features of 8-bit Microcontroller, XC8xx

- 8051 compatible, up 40MHz Frequency
- 256byte RAM and 3072byte XRAM
- 36KB to 64KB flash memory for code and data
- 10-bit ADC (5V max.), 8 channels including battery and supply supervision
- Five 16-bit timers
- Capture/compare unit for PWM signal generation (CCU6) with 2 x 16-bits timers

TLE983x Product Family Offers

- LIN transceiver (single wire), compliant with LIN Spec. 2.1, 2.0/SAE J2602 and compatible with LIN 1.3
- Two protected low-side switches (250mA)
- Up to two protected high-side switches (150mA)
- Five high-voltage inputs with wake up functionality
- Full duplex serial interface (UART) with LIN support
- Synchronous serial channel (SSC)
- Two watchdog timers
- Programmable window watchdog
- Measurement unit with 10 channels, 8-bit A/D Converter and data post processing
- Voltage regulator with undervoltage reset
- Power saving modes
 - MCU slow-down mode
 - Stop mode
 - Sleep mode
 - Cyclic wake-up and cyclic sense during stop mode and sleep mode

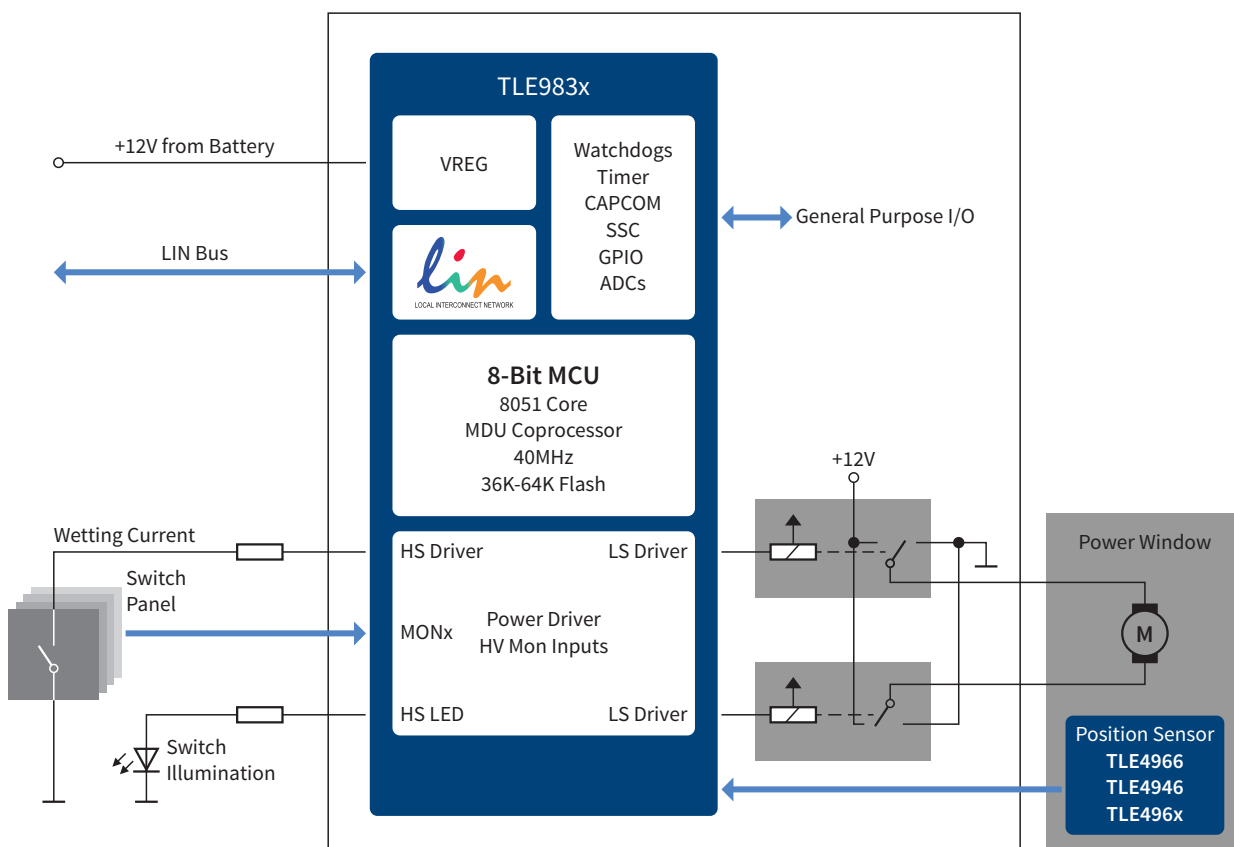
Applications

- Window lift
- Sun roof
- Fan control
- Seat control
- Key pad interface
- Switch panel interface

Infineon® Embedded Power ICs

Product Name	Core	Flash [KB]	Freq [MHz]	High-Side Switch	High-Voltage Monitor Input	16-bit Timer	GPIO	OP-AMP	PN MOS Driver	Package
TLE983x Product Family										
TLE9835QX	XC800	64	40	2	5	5	11	Yes	Yes	PG-VQFN-48
TLE9834QX	XC800	64	40	2	5	5	11	No	No	PG-VQFN-48
TLE9833QX	XC800	48	40	2	5	5	11	No	No	PG-VQFN-48
TLE9832-2QX	XC800	36	40	2	5	5	11	No	No	PG-VQFN-48
TLE9832QX	XC800	36	40	1	5	5	11	No	No	PG-VQFN-48
TLE9832QV	XC800	36	40	1	5	5	11	No	No	PG-VQFN-48

Smart LIN-based Relay Driver IC & Switch Panel Interface with Integrated 8-bit Microcontroller



3rd Generation: 2-Phase Bridge Driver IC with Integrated ARM® Cortex™-M3 Core

Infineon has combined its wealth of experience in motor control drivers for automotive applications with an industry-standard core. The unique result, our 3rd generation embedded power IC based on ARM® Cortex™-M cores, addresses a wide range of smart 2-phase DC motor control applications like, sunroof, power window lift, electrical pumps, electrical fans.

Produced on Infineon's first-in-industry automotive qualified 130nm smart power technology, the Infineon embedded power system-on-chip solutions offer

an unmatched level integration and system cost to performance to optimization for the target application segments.

The TLE986x family offers scalability in terms of flash memory sizes and MCU system clock frequency supporting a wide range of motor control algorithms. It uses the same MCU and peripherals as the TLE987x family, 3-phase driver, enabling design synergies between DC and BLDC motor control applications

TLE986x Family Offers

- Four current programmable drivers with charge pump for N-Channel MOSFET
- Integrated LIN transceiver compatible with LIN 2.2 and SAE J2602
- Two full duplex serial interface (UART) with LIN support
- Two Synchronous Serial Channel (SSC)
- On-chip OSC and PLL for clock generation
- One high-voltage monitoring input with wake-up functionality
- High-speed operational amplifier for motor current sensing via shunt
- Measurement unit:
 - 8-bit ADC module with 10 multiplexed inputs
 - 10-bit ADC module with 8 multiplexed inputs, 5 external analog inputs
 - On chip temperature and battery voltage measurement unit
- Independent programmable window watchdog
- 5V/1.5V Internal supplies
- External supply (VDDEX): 5V ±2% @ 20mA
- Power saving modes
 - MCU slow-down mode
 - Sleep mode
 - Stop mode
 - Cyclic wake-up sleep mode

Features of the Microcontroller

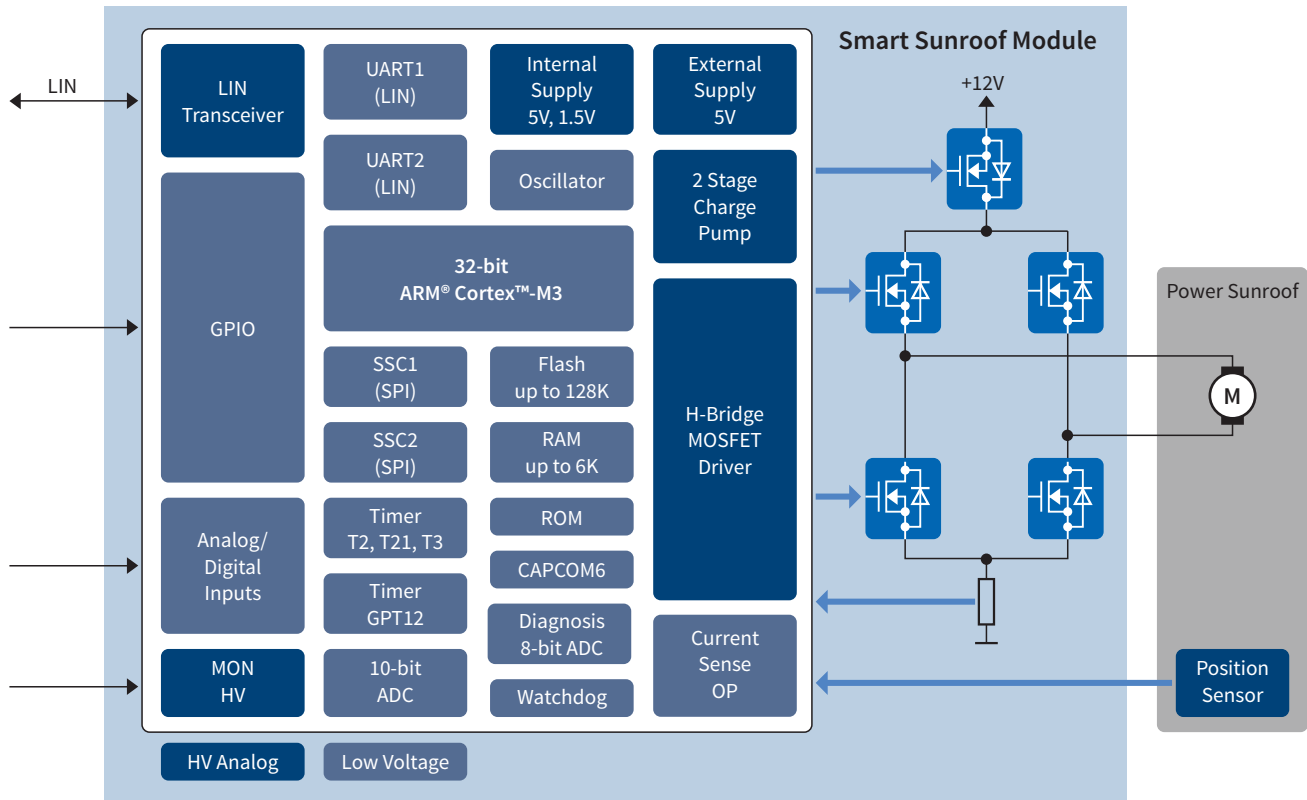
- 32-bit ARM® Cortex™-M3 Core, up to 40MHz clock frequency
- 36KB to 128KB flash memory
- Up to 6KB RAM memory
- Harvard architecture
- Thumb®-2 Instruction Set and hardware divide and multiplication unit
- Four 16-bit timers
- Capture/compare unit for PWM signal generation (CCU6) with 2x 16-bits timers

General Characteristics

- Operating supply voltage $V_s = 5.5$ to 28V, maximum rating 40V
- Extended operating range $V_s = 3.0$ to 28V, MCU / Flash fully functional
- ESD performance :
 - up to 2kV / handling on all pins
 - 4kV @ HV inputs
 - 6kV @ LIN pin
- Overvoltage device clamp (load dump ruggedness) up to 40V
- Wide operating temperature range:
 T_j : -40°C up to 150°C

Infineon® Embedded Power ICs

Block Diagram



Product Summary

TLE986x 32-bit μ C with 2-Phase MOSFET Gate Driver for DC Motors									
Product Name	Frequency [MHz]	Interface	RAM [KB]	Flash [KB]	EEPROM Emulation [KB]	OP-AMP	Low-Side MOSFET Drivers	High-Side MOSFET Drivers	Package
TLE9861QXA20 ¹⁾	24	PWM	3	36	4	y	2	2	PG-VQFN-48
TLE9867QXA20 ¹⁾	24	PWM + LIN	6	64	4	y	2	2	PG-VQFN-48
TLE9867QXA40 ¹⁾	40	PWM + LIN	6	64	4	y	2	2	PG-VQFN-48
TLE9869QXA20 ¹⁾	24	PWM + LIN	6	128	4	y	2	2	PG-VQFN-48

1) In development, samples available

3rd Generation: 3-Phase Bridge Driver IC with Integrated ARM® Cortex™-M3 Core

Infineon has combined its wealth of experience in motor control drivers for automotive applications with all the benefits of an industry-standard core. The unique result, our 3rd generation embedded power IC based on ARM® Cortex™-M cores, addresses a wide range of smart 3-phase brushless DC motor control applications like, fuel pumps, HVAC fans, engine cooling fans, electrical water pumps. Produced on Infineon's first-in-industry automotive qualified 130nm smart power technology, the Infineon embedded power system-on-chip solutions offer an unmatched level integration and system cost to performance to optimization for the target application segments.

The TLE987x family offers scalability in terms of flash memory sizes and MCU system clock frequency supporting a wide range of motor control algorithms, either sensor-based or sensor-less. It uses the same MCU and peripherals as the TLE986x family, 2-phase driver, enabling design synergies between DC and BLDC motor control applications.

TLE987x Family Offers

- Six current programmable drivers with charge pump for N-channel MOSFET
- Integrated LIN transceiver compatible with LIN 2.2 and SAE J2602
- Two full duplex serial interface (UART) with LIN support
- Two Synchronous Serial Channel (SSC)
- On-chip OSC and PLL for clock generation
- One high-voltage monitoring input with wake-up functionality
- High-speed operational amplifier for motor current sensing via shunt
- Measurement unit:
 - 8-bit ADC module with 10 multiplexed inputs
 - 10-bit ADC module with 8 multiplexed inputs, 5 external Analog inputs
 - On chip temperature and battery voltage measurement unit
- Independent programmable window watchdog
- 5V/1.5V Internal supplies
- External supply (VDDEXT): 5V ±2% @ 20mA
- Power saving modes
 - MCU slow-down mode
 - Sleep mode
 - Stop mode
 - Cyclic wake-up sleep mode

Features of the Microcontroller

- 32-bit ARM® Cortex™-M3 Core, up to 40MHz clock frequency
- 36KB to 128KB flash memory
- Up to 6KB RAM memory
- Harvard architecture
- Thumb®-2 Instruction Set and hardware divide and multiplication unit
- Four 16-bit timers
- Capture/compare unit for PWM signal generation (CCU6) with 2x 16-bits timers

General Characteristics

- Operating supply voltage $V_s = 5.5$ to 28V, maximum rating 40V
- Extended operating range $V_s = 3.0$ to 28V, MCU / Flash fully functional
- ESD performance :
 - up to 2kV / handling on all pins
 - 4kV @ HV inputs
 - 6kV @ LIN pin
- Overvoltage device clamp (load dump ruggedness) up to 40V
- Wide operating temperature range:
 T_j : -40°C up to 150°C


Microcontrollers

AURIX™ – 32-bit Automotive Microcontrollers

AURIX™ is Infineon’s family of microcontrollers serving exactly the needs of automotive applications in terms of performance and safety. Its innovative multicore architecture, based on up to three independent 32-bit TriCore™ CPUs @300MHz, has been designed to meet the highest safety standards while increasing the performance at the same time. The key strengths of the scalable AURIX™ family is to combine multiple worlds in one family supporting safety and security as well as high-performance computing and latest connectivity while supporting innovative power supply concepts.

AURIX™ Family Package Scalability

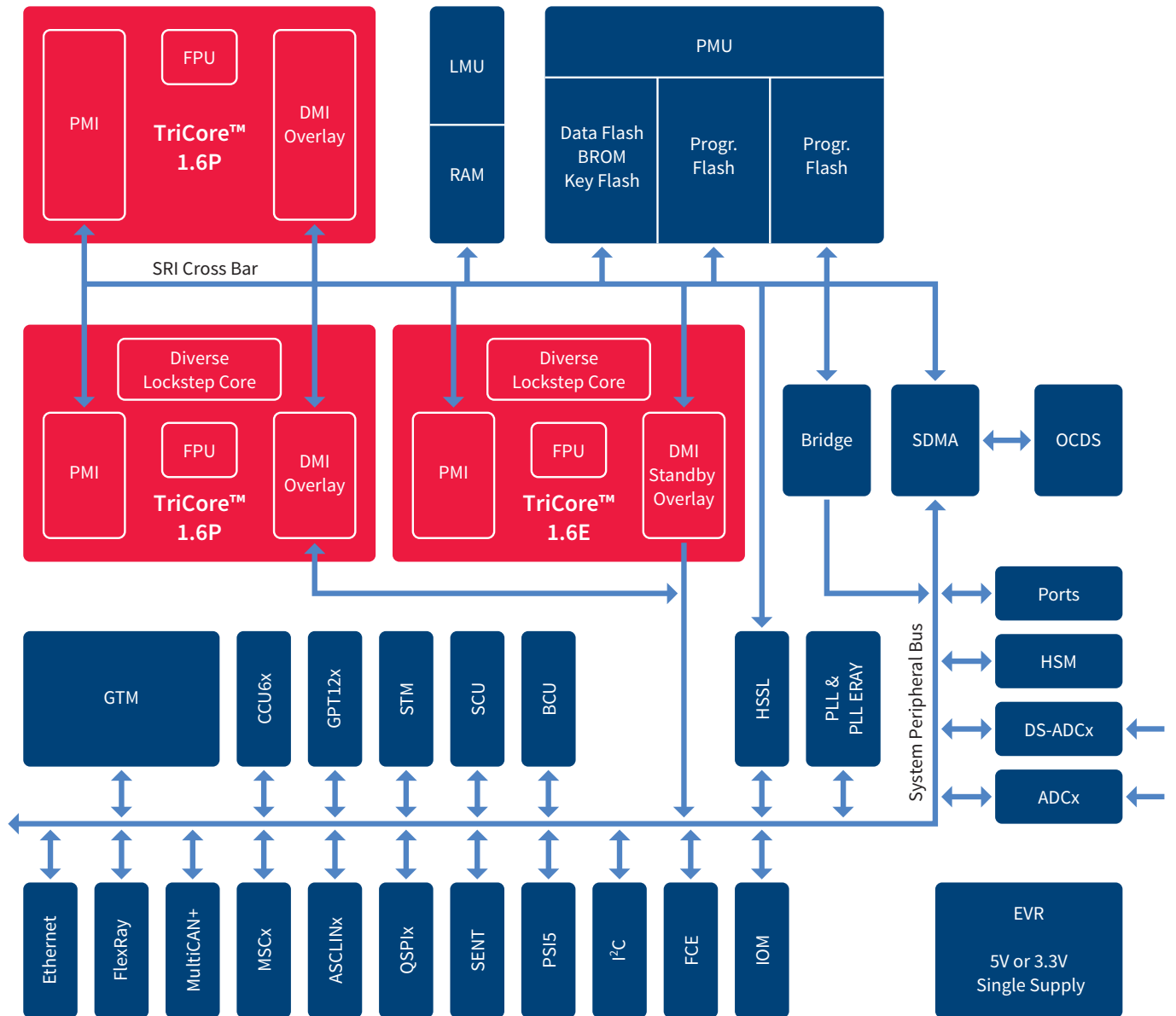
	TQFP-80	TQFP-100	LQFP-144 TQFP-144	LQFP-176	LFBGA-292	BGA-416	LFBGA-516
9x Series up to 8MB Max. SRAM 2.75MB Triple-Core					TC297	TC298	TC299
7x Series up to 4MB Max. SRAM 472KB Triple-Core				TC275	TC277		
6x Series up to 2.5MB Max. SRAM 752KB Dual-Core			TC264	TC265	TC267		
3x Series up to 2MB Max. SRAM 452KB Lockstep-Core		TC233	TC234		TC237		
2x Series up to 1MB Max. SRAM 96KB Lockstep-Core	TC222	TC223	TC224				
1x Series up to 512KB Max. SRAM 56KB Lockstep-Core	TC212	TC213	TC214				

 Upgrade/Downgrade with pin-compatible packages

- Advanced package technologies deliver the best price/performance ratio
- Customers can choose between different devices in the same pin-compatible package

Microcontrollers

AURIX™ Family System Architecture



AURIX™ – Enhanced Communication

As cars incorporate an increasing amount of electronics the central domain or gateway module’s responsibilities increase to handle the additional components and message traffic. Additionally the size of the data stream is increasing. To cover those new requirements the AURIX™ family has enhanced communication capabilities to support flexible communication protocols such as LIN, SPI, I²C, CAN, CAN FD, FlexRay™, Ethernet, DigRF/LVDS.

AURIX™ Family Communication Innovation

AURIX™ MultiCAN

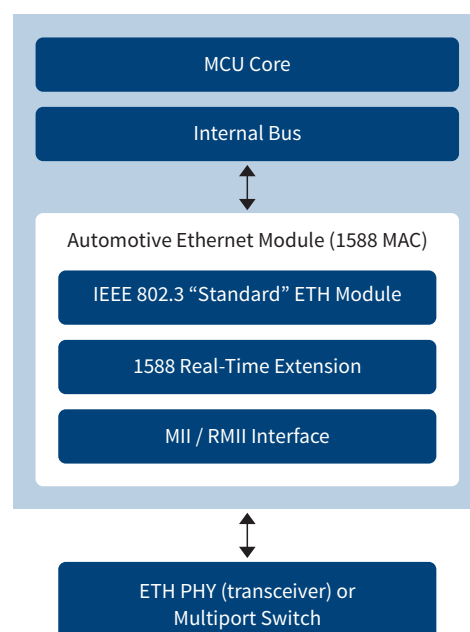
- Up to 6 CAN nodes with FD support available
- CAN standard V2.0 B active
- ISO 11898-1 FDIS 2014 CAN-FD
- Resonator ready with asynchronous operation and choice of clock source
- Frequency scaling without baud rate change
- Energy saving: pretended networking and partial networking (ISO 11898-6 transceiver support) support (also in CAN FD mode)
- Safety support: total amount of bus errors countable
- Message objects can be freely assigned among the nodes
- Configurable FIFO length, automatic gateway mode support
- Acceptance mask filtering for each message object



Ethernet

Highlights

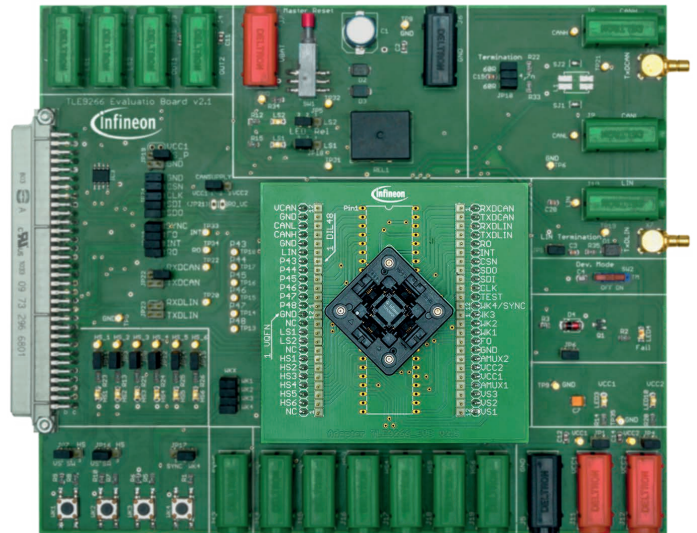
- MAC integrated in μ C
- IEEE 802.3-2002 for Ethernet with support of IP, TCP/IP, UDP ...
- Real-time stamping support (IEEE 1588-2008) for clock synchronization
- Standard MII and RMI interfaces to PHY
- Fast Ethernet w/ 100Mbit
- AUTOSAR V4 features supported
- Automatic CRC checksum and padding support
- AVB support



Support Tools System Basis Chips (SBCs)

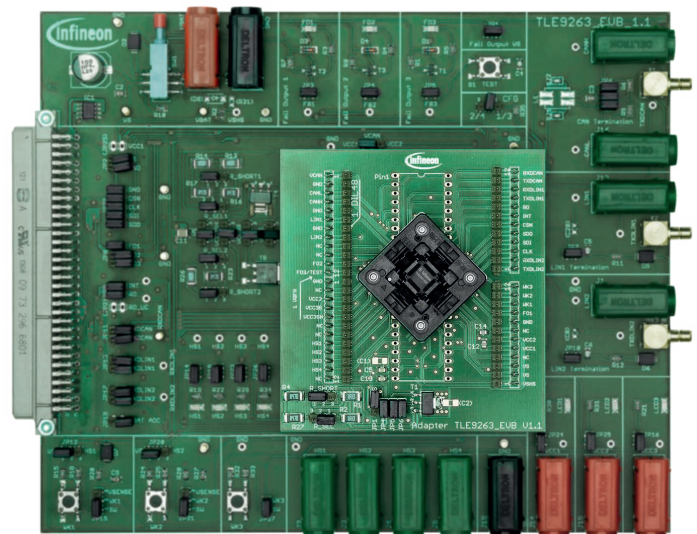
Driver SBC Demoboard TLE9266QX

The Driver SBC evaluation board is intended to provide a simple, easy-to-use tool for getting familiar with the device and for first application tests. The evaluation board contains a Driver SBC application board, which is equipped with a 96-pin connector to interface to the power easy kit (microcontroller board).



Midrange SBC Demoboard TLE9263QX

The Mid-Range SBC evaluation board enables the device evaluation and accelerates the design-in phase. The evaluation board can be connected to the “XC2000 power easy kit” and controlled, via USB, using a powerful and intuitive Graphical User Interface (GUI) installed on your computer.

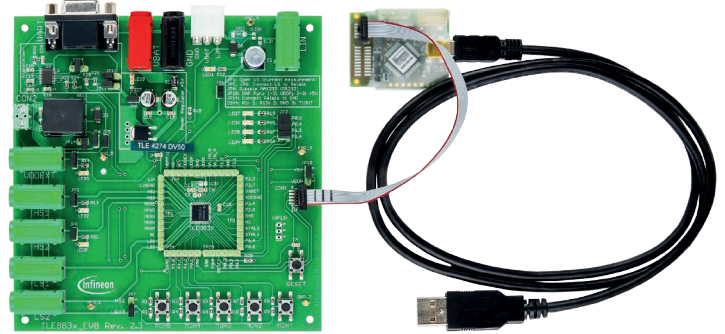


User manuals with software & hardware recommendation, FAQs, data sheets along with development tools can be found at www.infineon.com/sbc

Support Tools Embedded Power

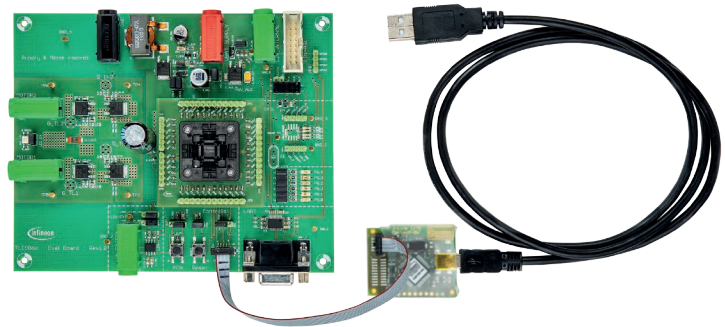
Relay Driver IC with Integrated Microcontroller Evaluation KIT TLE983x

The TLE983X EVALBOARD offers complete evaluation of all functions and peripherals of the TLE983x product family. In the heart of the Evaluation KIT is the TLE9834QX device and it includes: a relay for direct DC motor drive, a UART and LIN connection for communication, direct access to all device I/Os.



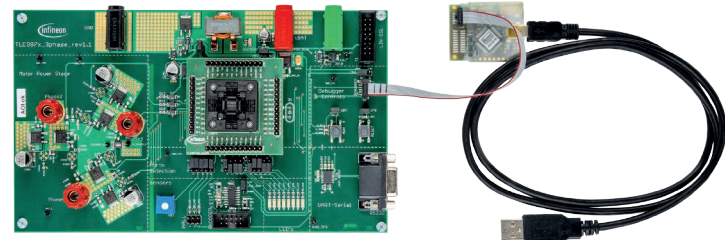
H-Bridge Driver IC with Integrated Microcontroller Evaluation KIT TLE986x

The TLE986X EVALB_JLINK offers complete evaluation of all functions and peripherals of the TLE986x product family and allows direct connection to a DC motor via MOSFETS in H-Bridge configuration, it includes: H-Bridge for DC motor drive, UART and LIN for communication, direct access to all device I/Os and a J-Link debugger.



B6-Bridge Driver IC with Integrated Microcontroller Evaluation KIT TLE987x

The TLE987X EVALB_JLINK offers complete evaluation of all functions and peripherals of the TLE987x product family and allows direct connection to a BLDC motor via MOSFETS in B6- Bridge configuration, it includes: B6-Bridge for BLDC motor drive, UART and LIN for communication, direct access to all device I/Os and a J-Link debugger.



Infineon® Embedded Power ICs are supported by a complete development tool chain provided by Infineon and third party vendors. The tool chain includes compilers, debuggers, evaluation boards, LIN low-level drivers and configuration tools as well as variety of example software code.

User manuals with software & hardware recommendation, FAQs, data sheets along with development tools can be found at www.infineon.com/embeddedpower

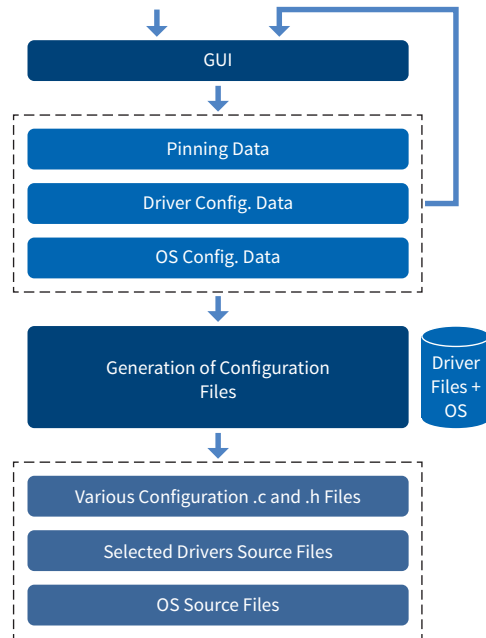
Support Tools Microcontrollers

ACT- AURIX™ Configuration Tool

ACT is a powerful tool that helps engineers to jump-start programming of Infineon microcontrollers.

Key Features

- Altium TASKING VX TriCore™ Lite Version including build-in
 - AURIX™ Pin Mapping incl. interactive package view
 - AURIX™ iLLD (Low-Level Driver)
 - AURIX™ OSEK

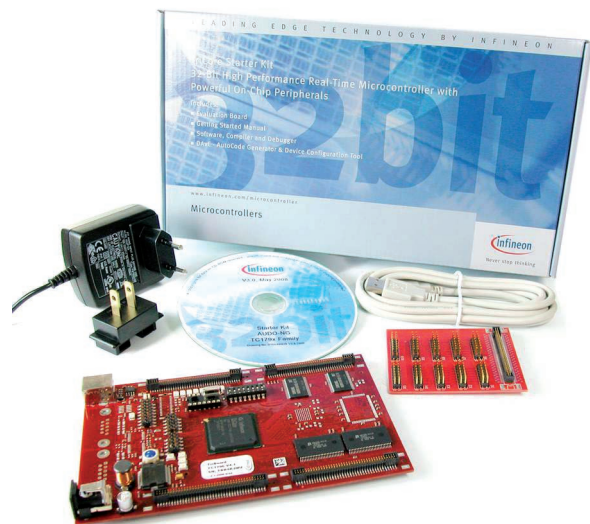


Expert Kits

Infineon TriCore™ family starter kits are powerful evaluation systems that enable evaluation and development well before the target hardware is available. They offer a solid platform for both hardware and software engineers to evaluate and prototype designs that are closely aligned with their final applications.

Our Kits Include

- Full-featured evaluation board
- USB cable
- Easy connectivity to all peripheral modules
- Extension board
- Development tools for evaluation such as compilers, debuggers and DAVE™
- Technical documentation – user manuals, architecture manuals, application notes, data sheets, board documentation



Further information on TriCore™ Starter Kits:

<http://ehitex.com/starter-kits/for-tricore>

Free TriCore™ Entry Tool Chain

This free of charge tooling entry tool chain provides all required features to develop and test software for TriCore™ and AURIX™. The tool can be used with all available TriCore™ and AURIX™ starter kit and application boards.

Key Features

- Eclipse based IDE
- Project wizard to easy define the project properties for device and board support
- High performance GNU C compiler
- Integrated source level debugger
- On-chip Flash programming support

Low-cost and Flexible Application Development Platform with TFT-Screen for the 32-bit AURIX™ Multicore TriCore™ Family

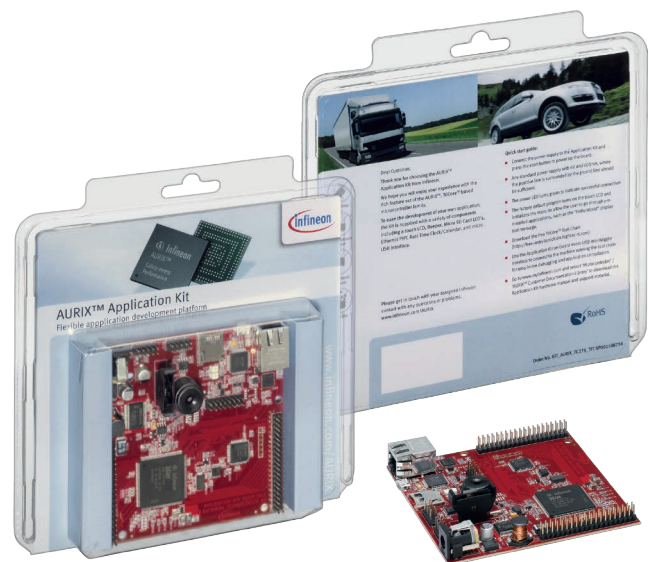
To simplify the development of your own application, the kit is supplied with a variety of on-board components including a highly-integrated software development environment that gives you everything you need to compile, debug, and Flash your AURIX™ multicore application.

Including

- AURIX™ application board
- 3V lithium battery
- Link to the free TriCore™ entry tool chain including getting started, first 3 steps to
 - install the tools
 - set up your hardware
 - write, compile and debug your first program

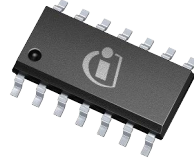
Order Number: KIT_AURIX_TC275_TFT

MSRP: 149€

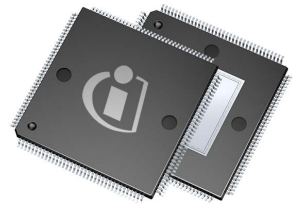
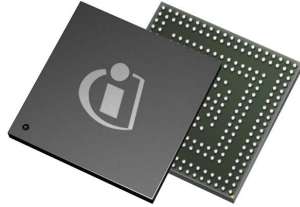
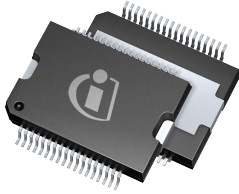


Packages Overview

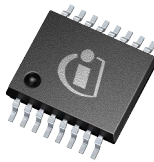
PG-BGA-416 PG-DSO-8 PG-DSO-14 PG-DSO-28



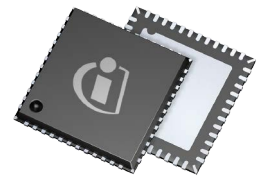
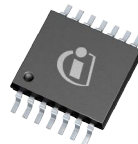
PG-DSO-36 PG-LFBGA-292 PG-LFBGA-516 PG-LQFP-144



PG-LQFP-176 PG-SSOP-16 PG-TQFP-80 PG-TQFP-100



PG-TQFP-144 PG-TSON-8 PG-TSSOP-14 PG-VQFN-48



Ask Infineon. Get connected with the answers.

Infineon offers its toll-free 0800/4001 service hotline as one central number, available 24/7 in English, Mandarin and German.

Our global connection service goes way beyond standard switchboard services by offering qualified support on the phone. Call us!

- Germany 0800 951 951 951 (German/English)
- China, mainland 4001 200 951 (Mandarin/English)
- India 000 800 4402 951 (English)
- USA 1-866 951 9519 (English/German)
- Other countries 00* 800 951 951 951 (English/German)
- Direct access +49 89 234-0 (interconnection fee, German/English)


* Please note: Some countries may require you to dial a code other than "00" to access this international number, please visit www.infineon.com/service for your country!


Where to Buy

Infineon Distribution Partners and Sales Offices:


www.infineon.com/WhereToBuy

Stay connected

 www.facebook.com/infineon

 www.google.com/+infineon

 www.twitter.com/infineon

 www.infineon.com/linkedin

 www.infineon.com/xing

 www.youtube.com/infineon

Mobile Product Catalog

Mobile app for iOS and Android.



Published by
Infineon Technologies AG
85579 Neubiberg, Germany

© 2014 Infineon Technologies AG.
All Rights Reserved.

Visit us:
www.infineon.com

Order Number: B124-I0064-V1-7600-EU-EC
Date: 11 / 2014

Attention please!

The information given in this document shall in no event be regarded as a guarantee of conditions or characteristics ("Beschaffungsgarantie"). With respect to any examples or hints given herein, any typical values stated herein and/or any information regarding the application of the device, Infineon Technologies hereby disclaims any and all warranties and liabilities of any kind, including without limitation warranties of non-infringement of intellectual property rights of any third party.

Information

For further information on technology, delivery terms and conditions and prices please contact your nearest Infineon Technologies Office (www.infineon.com).

Warnings

Due to technical requirements components may contain dangerous substances. For information on the types in question please contact your nearest Infineon Technologies Office. Infineon Technologies Components may only be used in life-support devices or systems with the express written approval of Infineon Technologies, if a failure of such components can reasonably be expected to cause the failure of that life-support device or system, or to affect the safety or effectiveness of that device or system. Life support devices or systems are intended to be implanted in the human body, or to support and/or maintain and sustain and/or protect human life. If they fail, it is reasonable to assume that the health of the user or other persons may be endangered.

Looking for pricing, stock, or lifecycle information?

Click below to explore more details on WIN SOURCE:

- ⊖ [View TLE92603QXXUMA1 on WIN SOURCE](#)
- ⊖ [Infineon Technologies Information](#)

Optimize Your Supply Chain with WIN SOURCE Solutions

- ✓ Global Sourcing Solution
- ✓ Obsolete Management
- ✓ Cost Control Management
- ✓ Shortage Management
- ✓ Alternative Solution
- ✓ Excess Inventory Management