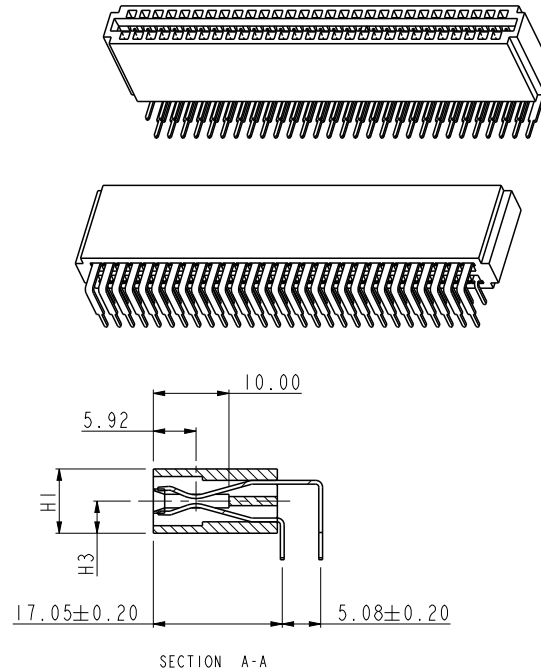
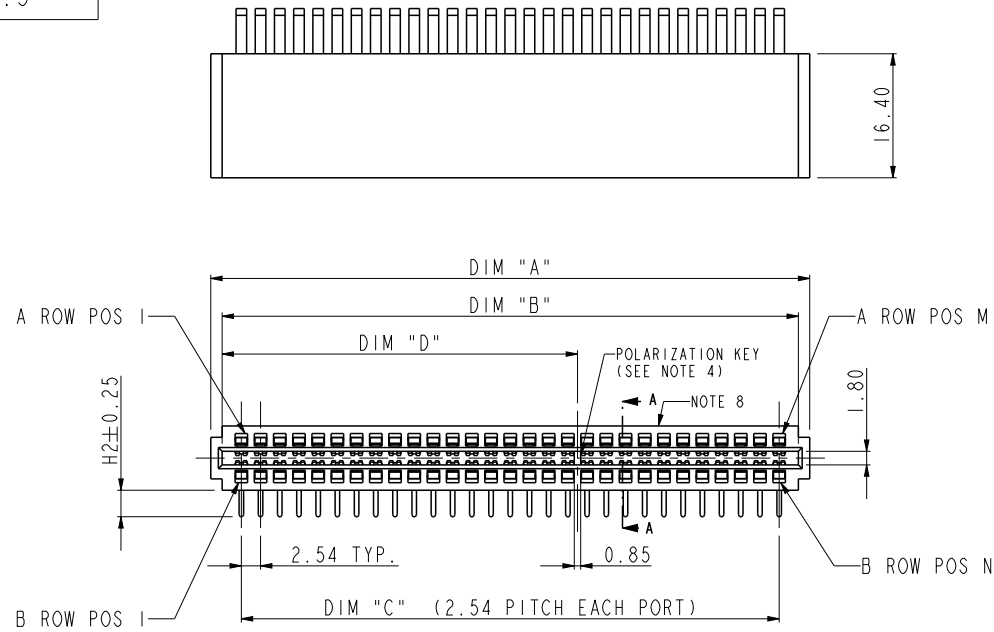




**THE DATASHEET OF
10035388-205LF**



PRODUCT NO.
10035388-XXX_ _
NOTE: 5



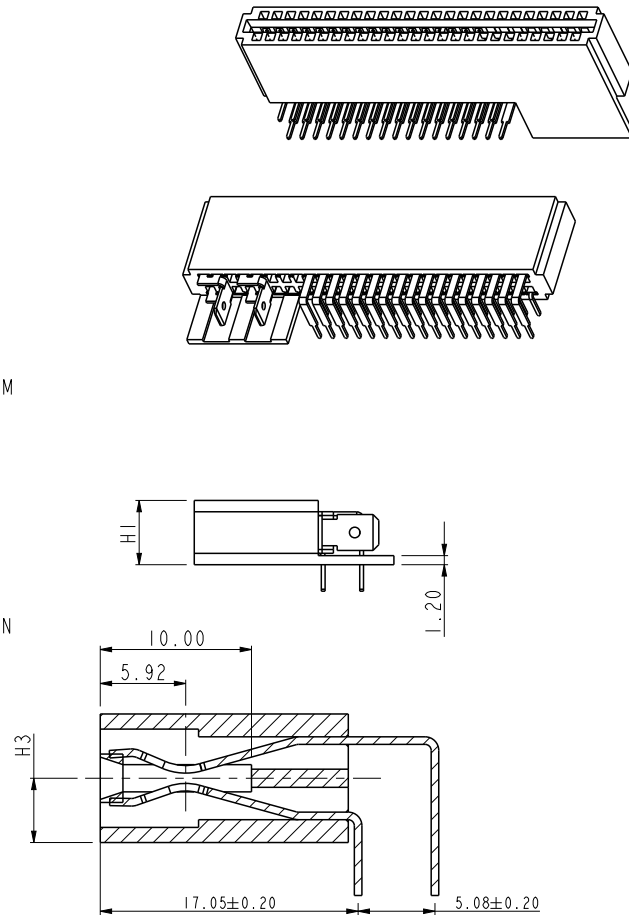
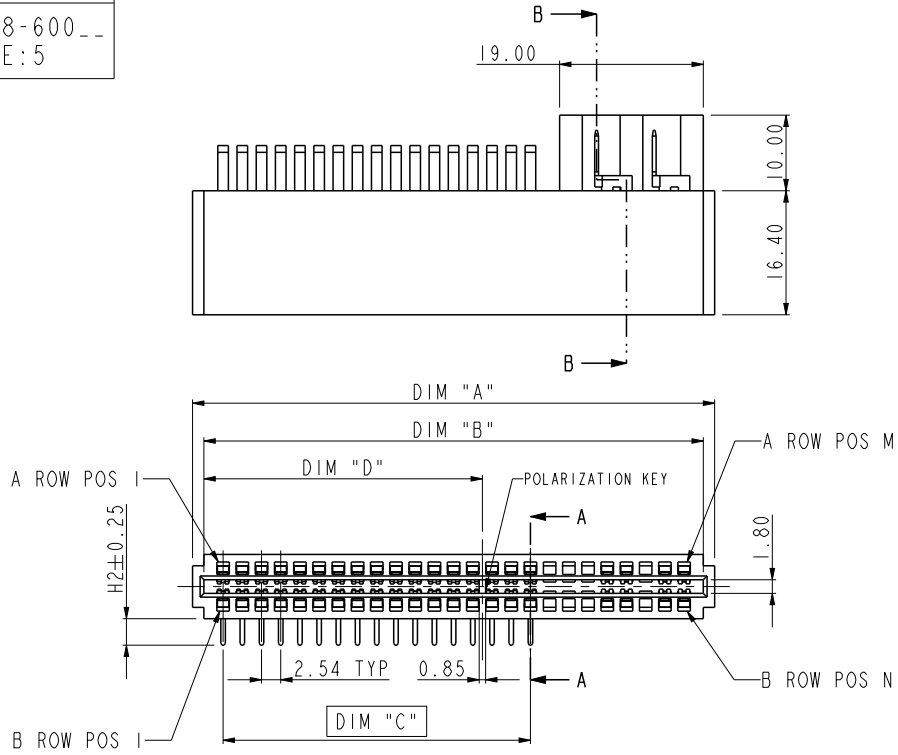
NOTE:

- MATERIAL:
HOUSING: HIGH TEMPERATURE THERMOPLASTIC, UL 94 V-0 RATED, BLACK.
TERMINAL: HIGH CONDUCTIVITY COPPER ALLOY.
- PRODUCT SPECIFICATION: GS-12-259.
- PACKAGE SPECIFICATION: GS-14-937
- THERE IS NO POLARIZATION KEY IN 10035388-102/103/104/105/106/107/108/110/114/119/120/121/122/123/202/203/204/205/206/500/700/800/802/902/903/904/905/909/910/911/912/913.
- PLATING SPEC:
10035388-XXX:
POWER PIN: CONTACT AREA - 30u" GOLD OVER 50u" NICKEL UNDER PLATED.
SOLDER TAIL - 100u" TIN/LEAD OVER 50u" NICKEL UNDER PLATED.
AC TERMINAL: 50u" NICKEL UNDER PLATED; 30u" GOLD ON CONTACT AREA.
10035388-XXXLF:
POWER PIN: CONTACT AREA - 30u" GOLD OVER 50u" NICKEL UNDER PLATED.
SOLDER TAIL - 100u" PURE MATTE TIN OVER 50u" NICKEL UNDER PLATED.
AC TERMINAL: 50u" NICKEL UNDER PLATED; 30u" GOLD ON CONTACT AREA.

- P/N 10035388-XXXLF MEETS EUROPEAN UNION DIRECTIVE AND OTHER COUNTRY REGULATIONS AS DESCRIBED IN GS-22-008.
- THE HOUSING WILL WITHSTAND EXPOSURE TO 260°C PEAK TEMPERATURE FOR 10 SECONDS IN A WAVE SOLDER APPLICATION WITH A CIRCUIT BOARD.
- PRODUCT MARKING ON HOUSING IN AREA SHOWN MEETS AFCI SPECIFICATION: GS-24-007.
- A SYMBOL WILL BE NEXT TO ANY DIMENSION, VIEW, OR NOTE WHICH HAS BEEN MODIFIED WITH THE CURRENT DRAWING REVISION.

spec ref		*		dr	De-Ming Lu	2014/08/06	projection 	MM ←→	size	A4	scale	1:1
tolerance std		TOLERANCES UNLESS OTHERWISE SPECIFIED		eng	Leborn Luo	2018/02/05			ecn no	ELX-DG-29258-1		
ISO 406				chr	Feng Zheng	2018/02/06				rel level	Released	
ISO 1101				appr	Pei-Ming Zheng	2018/02/06	product family		-			
surface	- linear	0.X	±0.5	Amphenol FCI	title	POWER EDGE CARD CONNECTOR		dwg no	10035388		rev	AN
		0.XX	±0.25			WITHOUT SIGNAL ASSY						
		0.XXX	±0.10			cat. no.	-		Product - Customer Drw	sheet 1 of 6		
ISO 1302	angular	0°	±2°									

PRODUCT NO.
10035388-600__
NOTE: 5



NOTE:
(APPLY TO 10035388-600__ AS ADDITIONAL)

- 10. THE EMPTY POSITIONS ARE 18, 19, 20, 23.
- 11. THERE ARE 2 AC TERMINALS.

spec ref		*		dr	De-Ming Lu	2014/08/06	projection 	MM ←→	size	A4	scale	1:1	
tolerance std		TOLERANCES UNLESS OTHERWISE SPECIFIED		eng	Leborn Luo	2018/02/05			ecn no	ELX-DG-29258-1			
ISO 406 ISO 1101				chr	Feng Zheng	2018/02/06			rel level	Released			
ISO 1302				appr	Pei-Ming Zheng	2018/02/06			product family	-			
surface	linear	0.X	±0.5	Amphenol FCI	title	POWER EDGE CARD CONNECTOR			dwg no	10035388		rev	AN
		0.XX	±0.25			WITHOUT SIGNAL ASSY							
	angular	0°	±2°			cat. no.	-	Product - Customer Drw			sheet 2 of 6		

A

B

C

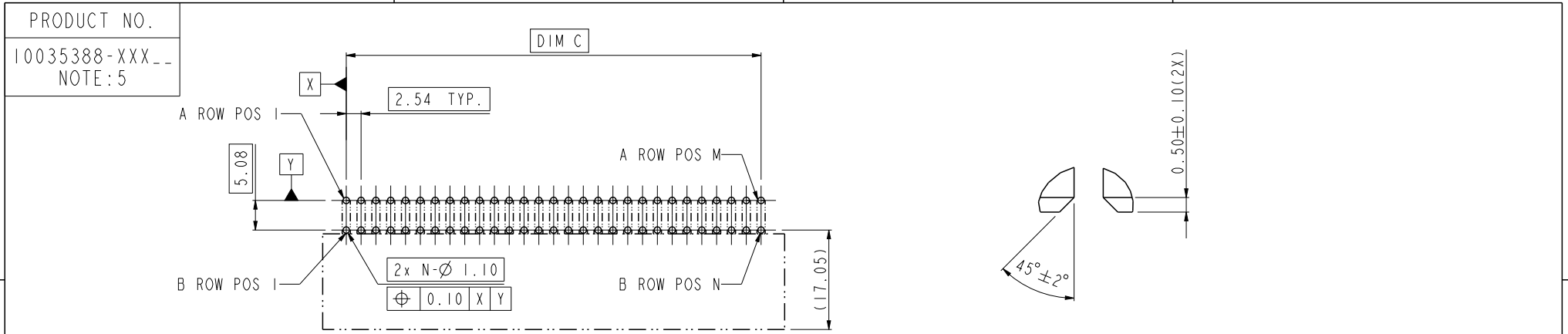
D

A

B

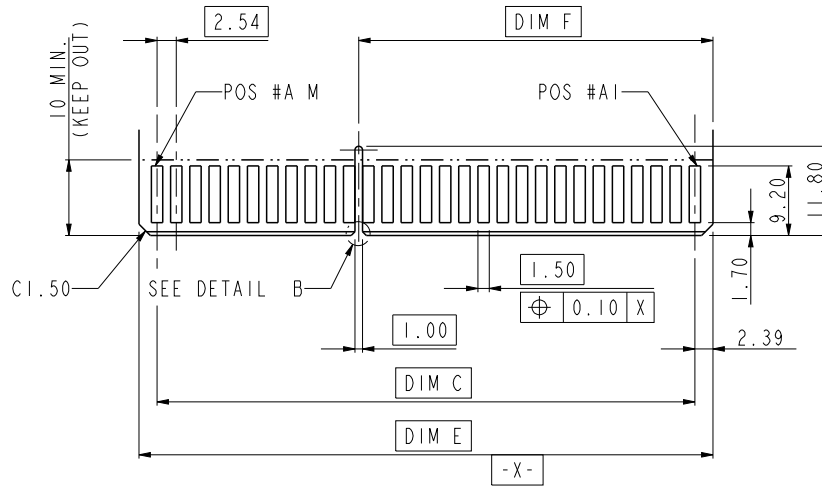
C

D

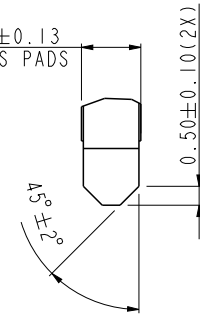
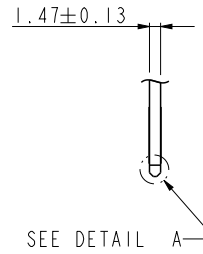


RECOMMENDED PCB LAYOUT

DETAIL B
SCALE 5:1



RECOMMENDED DAUGHTER CARD LAYOUT (TOP SIDE)



DETAIL A
SCALE 5:1

spec ref		*		dr	De-Ming Lu	2014/08/06	projection	MM	size	A4	scale	1:1
tolerance std		TOLERANCES UNLESS OTHERWISE SPECIFIED		eng	Leborn Luo	2018/02/05			ecn no	ELX-DG-29258-1		
ISO 406				chr	Feng Zheng	2018/02/06		product family		-		rel level
ISO 1101				appr	Pei-Ming Zheng	2018/02/06	-					
surface	linear	0.X	±0.5	Amphenol FCi	title	POWER EDGE CARD CONNECTOR		dwg no	10035388		rev	AN
		0.XX	±0.25			WITHOUT SIGNAL ASSY						
0.XXX	±0.10											
ISO 1302	angular	0°	±2°	cat. no.		-		Product - Customer Drw		sheet 3 of 6		

A

B

C

D

PRAT NO.	DIM"A"	DIM"B"	DIM"C"	DIM"D"	DIM"E"	DIM"F"	H1	H2	H3	PIN CONFIGURATION	M	N																																																																																		
10035388-400 10035388-400LF	61.42	58.42	53.34	29.21	58.12	29.06	8.50	3.50	4.25	ALL LOADED	22	22																																																																																		
10035388-500 10035388-500LF	76.66	73.66	68.58	N/A	73.36	N/A	8.50	3.50	4.25	ALL LOADED	28	28																																																																																		
10035388-600 10035388-600LF	69.04	66.04	40.64	36.83	65.74	36.68	8.50	3.50	4.25	AI <table border="1" style="font-size: 8px;"><tr><td>P</td><td>P</td><td>P</td><td>P</td><td>P</td><td>P</td><td>P</td><td>P</td><td>P</td><td>P</td><td>P</td><td>P</td><td>P</td><td>P</td><td>P</td><td>P</td><td>P</td><td>P</td><td>P</td><td>P</td></tr><tr><td colspan="10"></td><td>A25</td><td colspan="10"></td></tr><tr><td>B</td><td>P</td><td>P</td><td>P</td><td>P</td><td>P</td><td>P</td><td>P</td><td>P</td><td>P</td><td>P</td><td>P</td><td>P</td><td>P</td><td>P</td><td>P</td><td>P</td><td>P</td><td>P</td><td>P</td></tr><tr><td colspan="10"></td><td>B25</td><td colspan="10"></td></tr></table>	P	P	P	P	P	P	P	P	P	P	P	P	P	P	P	P	P	P	P	P											A25											B	P	P	P	P	P	P	P	P	P	P	P	P	P	P	P	P	P	P	P											B25											25	25
P	P	P	P	P	P	P	P	P	P	P	P	P	P	P	P	P	P	P	P																																																																											
										A25																																																																																				
B	P	P	P	P	P	P	P	P	P	P	P	P	P	P	P	P	P	P	P																																																																											
										B25																																																																																				
10035388-700 10035388-700LF	86.82	83.82	78.74	N/A	83.52	N/A	8.50	3.50	4.25	ALL LOADED	32	32																																																																																		
10035388-800 10035388-800LF	48.72	45.72	40.64	N/A	45.42	N/A	8.50	3.50	4.25	ALL LOADED	17	17																																																																																		
10035388-802 10035388-802LF	48.72	45.72	40.64	N/A	45.42	N/A	8.50	3.50	4.25	AI <table border="1" style="font-size: 8px;"><tr><td>P</td><td>P</td><td>P</td><td>P</td><td>P</td><td>P</td><td>P</td><td>P</td><td>P</td><td>P</td><td>P</td><td>P</td><td>P</td><td>P</td><td>P</td><td>P</td><td>P</td><td>P</td><td>P</td><td>P</td></tr><tr><td colspan="10"></td><td>A17</td><td colspan="10"></td></tr><tr><td>B</td><td>P</td><td>P</td><td>P</td><td>P</td><td>P</td><td>P</td><td>P</td><td>P</td><td>P</td><td>P</td><td>P</td><td>P</td><td>P</td><td>P</td><td>P</td><td>P</td><td>P</td><td>P</td><td>P</td></tr><tr><td colspan="10"></td><td>B17</td><td colspan="10"></td></tr></table>	P	P	P	P	P	P	P	P	P	P	P	P	P	P	P	P	P	P	P	P											A17											B	P	P	P	P	P	P	P	P	P	P	P	P	P	P	P	P	P	P	P											B17											17	17
P	P	P	P	P	P	P	P	P	P	P	P	P	P	P	P	P	P	P	P																																																																											
										A17																																																																																				
B	P	P	P	P	P	P	P	P	P	P	P	P	P	P	P	P	P	P	P																																																																											
										B17																																																																																				
10035388-900 10035388-900LF	41.10	38.10	33.02	26.67	37.80	26.52	8.50	3.50	4.25	ALL LOADED	14	14																																																																																		
10035388-903 10035388-903LF	94.44	91.44	86.36	N/A	91.14	N/A	8.50	3.50	4.25	AI <table border="1" style="font-size: 8px;"><tr><td>P</td><td>P</td><td>P</td><td>P</td><td>P</td><td>P</td><td>P</td><td>P</td><td>P</td><td>P</td><td>P</td><td>P</td><td>P</td><td>P</td><td>P</td><td>P</td><td>P</td><td>P</td><td>P</td><td>P</td></tr><tr><td colspan="10"></td><td>A35</td><td colspan="10"></td></tr><tr><td>B</td><td>P</td><td>P</td><td>P</td><td>P</td><td>P</td><td>P</td><td>P</td><td>P</td><td>P</td><td>P</td><td>P</td><td>P</td><td>P</td><td>P</td><td>P</td><td>P</td><td>P</td><td>P</td><td>P</td></tr><tr><td colspan="10"></td><td>B35</td><td colspan="10"></td></tr></table>	P	P	P	P	P	P	P	P	P	P	P	P	P	P	P	P	P	P	P	P											A35											B	P	P	P	P	P	P	P	P	P	P	P	P	P	P	P	P	P	P	P											B35											35	35
P	P	P	P	P	P	P	P	P	P	P	P	P	P	P	P	P	P	P	P																																																																											
										A35																																																																																				
B	P	P	P	P	P	P	P	P	P	P	P	P	P	P	P	P	P	P	P																																																																											
										B35																																																																																				
10035388-904 10035388-904LF	94.44	91.44	86.36	N/A	91.14	N/A	8.50	3.50	4.25	AI <table border="1" style="font-size: 8px;"><tr><td>P</td><td>P</td><td>P</td><td>P</td><td>P</td><td>P</td><td>P</td><td>P</td><td>P</td><td>P</td><td>P</td><td>P</td><td>P</td><td>P</td><td>P</td><td>P</td><td>P</td><td>P</td><td>P</td><td>P</td></tr><tr><td colspan="10"></td><td>A35</td><td colspan="10"></td></tr><tr><td>B</td><td>P</td><td>P</td><td>P</td><td>P</td><td>P</td><td>P</td><td>P</td><td>P</td><td>P</td><td>P</td><td>P</td><td>P</td><td>P</td><td>P</td><td>P</td><td>P</td><td>P</td><td>P</td><td>P</td></tr><tr><td colspan="10"></td><td>B35</td><td colspan="10"></td></tr></table>	P	P	P	P	P	P	P	P	P	P	P	P	P	P	P	P	P	P	P	P											A35											B	P	P	P	P	P	P	P	P	P	P	P	P	P	P	P	P	P	P	P											B35											35	35
P	P	P	P	P	P	P	P	P	P	P	P	P	P	P	P	P	P	P	P																																																																											
										A35																																																																																				
B	P	P	P	P	P	P	P	P	P	P	P	P	P	P	P	P	P	P	P																																																																											
										B35																																																																																				
10035388-905 10035388-905LF	94.44	91.44	86.36	N/A	91.14	N/A	8.50	3.50	4.25	ALL LOADED	35	35																																																																																		
10035388-907 10035388-907LF	53.80	50.80	45.72	26.27	50.50	26.52	8.50	3.50	4.25	ALL LOADED	19	19																																																																																		
10035388-908 10035388-908LF	61.42	58.42	53.34	29.21	58.12	29.36	8.50	3.50	4.25	AI <table border="1" style="font-size: 8px;"><tr><td>P</td><td>P</td><td>P</td><td>P</td><td>P</td><td>P</td><td>P</td><td>P</td><td>P</td><td>P</td><td>P</td><td>P</td><td>P</td><td>P</td><td>P</td><td>P</td><td>P</td><td>P</td><td>P</td><td>P</td></tr><tr><td colspan="10"></td><td>A22</td><td colspan="10"></td></tr><tr><td>B</td><td>P</td><td>P</td><td>P</td><td>P</td><td>P</td><td>P</td><td>P</td><td>P</td><td>P</td><td>P</td><td>P</td><td>P</td><td>P</td><td>P</td><td>P</td><td>P</td><td>P</td><td>P</td><td>P</td></tr><tr><td colspan="10"></td><td>B22</td><td colspan="10"></td></tr></table>	P	P	P	P	P	P	P	P	P	P	P	P	P	P	P	P	P	P	P	P											A22											B	P	P	P	P	P	P	P	P	P	P	P	P	P	P	P	P	P	P	P											B22											22	22
P	P	P	P	P	P	P	P	P	P	P	P	P	P	P	P	P	P	P	P																																																																											
										A22																																																																																				
B	P	P	P	P	P	P	P	P	P	P	P	P	P	P	P	P	P	P	P																																																																											
										B22																																																																																				
10035388-909 10035388-909LF	48.72	45.72	40.64	N/A	45.42	N/A	8.50	3.50	4.25	AI <table border="1" style="font-size: 8px;"><tr><td>P</td><td>P</td><td>P</td><td>P</td><td>P</td><td>P</td><td>P</td><td>P</td><td>P</td><td>P</td><td>P</td><td>P</td><td>P</td><td>P</td><td>P</td><td>P</td><td>P</td><td>P</td><td>P</td><td>P</td></tr><tr><td colspan="10"></td><td>A17</td><td colspan="10"></td></tr><tr><td>B</td><td>P</td><td>P</td><td>P</td><td>P</td><td>P</td><td>P</td><td>P</td><td>P</td><td>P</td><td>P</td><td>P</td><td>P</td><td>P</td><td>P</td><td>P</td><td>P</td><td>P</td><td>P</td><td>P</td></tr><tr><td colspan="10"></td><td>B17</td><td colspan="10"></td></tr></table>	P	P	P	P	P	P	P	P	P	P	P	P	P	P	P	P	P	P	P	P											A17											B	P	P	P	P	P	P	P	P	P	P	P	P	P	P	P	P	P	P	P											B17											17	17
P	P	P	P	P	P	P	P	P	P	P	P	P	P	P	P	P	P	P	P																																																																											
										A17																																																																																				
B	P	P	P	P	P	P	P	P	P	P	P	P	P	P	P	P	P	P	P																																																																											
										B17																																																																																				
10035388-910 10035388-910LF	94.44	91.44	86.36	N/A	91.14	N/A	8.50	3.50	4.25	AI <table border="1" style="font-size: 8px;"><tr><td>P</td><td>P</td><td>P</td><td>P</td><td>P</td><td>P</td><td>P</td><td>P</td><td>P</td><td>P</td><td>P</td><td>P</td><td>P</td><td>P</td><td>P</td><td>P</td><td>P</td><td>P</td><td>P</td><td>P</td></tr><tr><td colspan="10"></td><td>A35</td><td colspan="10"></td></tr><tr><td>B</td><td>P</td><td>P</td><td>P</td><td>P</td><td>P</td><td>P</td><td>P</td><td>P</td><td>P</td><td>P</td><td>P</td><td>P</td><td>P</td><td>P</td><td>P</td><td>P</td><td>P</td><td>P</td><td>P</td></tr><tr><td colspan="10"></td><td>B35</td><td colspan="10"></td></tr></table>	P	P	P	P	P	P	P	P	P	P	P	P	P	P	P	P	P	P	P	P											A35											B	P	P	P	P	P	P	P	P	P	P	P	P	P	P	P	P	P	P	P											B35											35	35
P	P	P	P	P	P	P	P	P	P	P	P	P	P	P	P	P	P	P	P																																																																											
										A35																																																																																				
B	P	P	P	P	P	P	P	P	P	P	P	P	P	P	P	P	P	P	P																																																																											
										B35																																																																																				
10035388-911 10035388-911LF	53.80	50.80	45.72	N/A	50.50	N/A	8.50	3.50	4.25	ALL LOADED	19	19																																																																																		
10035388-912 10035388-912LF	41.10	38.10	33.02	N/A	37.80	N/A	8.50	3.50	4.25	AI <table border="1" style="font-size: 8px;"><tr><td>P</td><td>P</td><td>P</td><td>P</td><td>P</td><td>P</td><td>P</td><td>P</td><td>P</td><td>P</td><td>P</td><td>P</td><td>P</td><td>P</td><td>P</td><td>P</td><td>P</td><td>P</td><td>P</td><td>P</td></tr><tr><td colspan="10"></td><td>A14</td><td colspan="10"></td></tr><tr><td>B</td><td>P</td><td>P</td><td>P</td><td>P</td><td>P</td><td>P</td><td>P</td><td>P</td><td>P</td><td>P</td><td>P</td><td>P</td><td>P</td><td>P</td><td>P</td><td>P</td><td>P</td><td>P</td><td>P</td></tr><tr><td colspan="10"></td><td>B14</td><td colspan="10"></td></tr></table>	P	P	P	P	P	P	P	P	P	P	P	P	P	P	P	P	P	P	P	P											A14											B	P	P	P	P	P	P	P	P	P	P	P	P	P	P	P	P	P	P	P											B14											14	14
P	P	P	P	P	P	P	P	P	P	P	P	P	P	P	P	P	P	P	P																																																																											
										A14																																																																																				
B	P	P	P	P	P	P	P	P	P	P	P	P	P	P	P	P	P	P	P																																																																											
										B14																																																																																				

spec ref	*	dr	De-Ming Lu	2014/08/06	projection	MM	size	A4	scale	1:1	
tolerance std	ISO 406 ISO 1101	eng	Leborn Luo	2018/02/05			ecn no				ELX-DG-29258-1
TOLERANCES UNLESS OTHERWISE SPECIFIED		chr	Feng Zheng	2018/02/06			rel level				Released
surface	linear	appr	Pei-Ming Zheng	2018/02/06	product family				-	rev	AN
	angular	Amphenol FCI		POWER EDGE CARD CONNECTOR				dwg no		10035388	
	0.X ±0.5 0.XX ±0.25 0.XXX ±0.10	cat. no.		Product - Customer Drw				sheet 5 of 6			
	0° ±2°										

Looking for pricing, stock, or lifecycle information?

Click below to explore more details on WIN SOURCE:

 [View 10035388-205LF on WIN SOURCE](#)

 [Amphenol FCI Information](#)

Optimize Your Supply Chain with WIN SOURCE Solutions

-  Global Sourcing Solution
-  Obsolete Management
-  Cost Control Management
-  Shortage Management
-  Alternative Solution
-  Excess Inventory Management