



**THE DATASHEET OF
ST246D00**



ST2 SERIES TOGGLE SWITCH

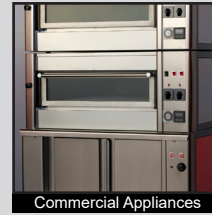
- ANTI-VANDAL SWITCHES
- DETECTOR SWITCHES
- DIP SWITCHES
- KEYLOCK SWITCHES
- NAVIGATION SWITCHES
- PUSHBUTTON SWITCHES
- ROCKER SWITCHES
- ROTARY SWITCHES
- SLIDE SWITCHES
- SNAP ACTION SWITCHES
- TACTILE SWITCHES
- TOGGLE SWITCHES**
- CAP OPTIONS



APPLICATIONS / MARKETS



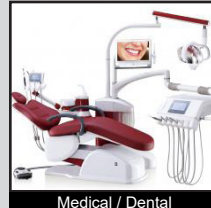
Floor Care Appliances



Commercial Appliances



Industrial Controls



Medical / Dental



HVAC



Vending Machines

RoHS

SPECIFICATIONS

Rating: Maintained Switches: 20A 125VAC [cULus]
 15A 277VAC [cULus]
 2.0HP 125-277VAC [cULus]
 Momentary Switches: 20A 125VAC [cULus]
 15A 277VAC [cULus]
 1.5HP 125-277VAC [cULus]

Electrical Life: 6,000 cycles
Contact Resistance: 50mΩ Max.
Insulation Resistance: 2MΩ Min. at 500VDC for 1 Minute
Dielectric Strength: 1,000VAC for 1 Minute
Operating Temperature: 0°C to 85°C
Mounting Nut Torque: 0.6Nm~1.0Nm

FEATURES & BENEFITS

- Heavy duty rating with UL approvals
- Many functions available
- Tab, screw, and solder terminal options
- Soldered wire leads (500mm long) optional

PART NUMBER CONFIGURATOR

Series



ST2 - 2 Pole

Terminal



1 - 4.8mm Tabs
 2 - Solder
 4 - 6.3mm Tabs
 6 - Screw
 W - Wire Leads
 500mm long

Function



2 - 2 Pole Off - On
 G - 2 Pole On - On
 E - 2 Pole Off - (On)
 6 - 2 Pole
 On - Off - On
 J - 2 Pole
 On - Off - (On)
 K - 2 Pole
 (On) - Off - (On)

Rating



D - 20A 125VAC

Actuator Type



0 - Standard Bat

Bushing Type



0 - M12 x 1.0
 2 - 15/32" - 32UNS

NOTES:

() = Denotes function is momentary

Specifications subject to change without notice 2.16.2022



E-SWITCH®

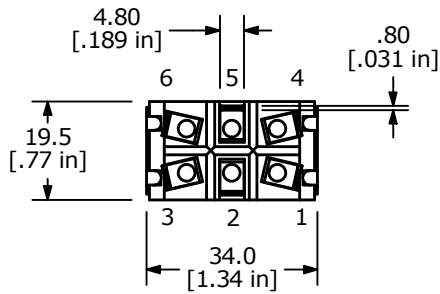
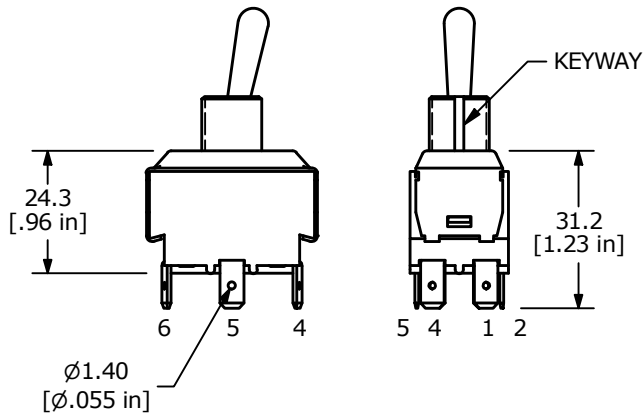
www.e-switch.com

800.867.2717

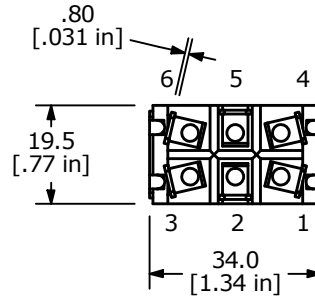
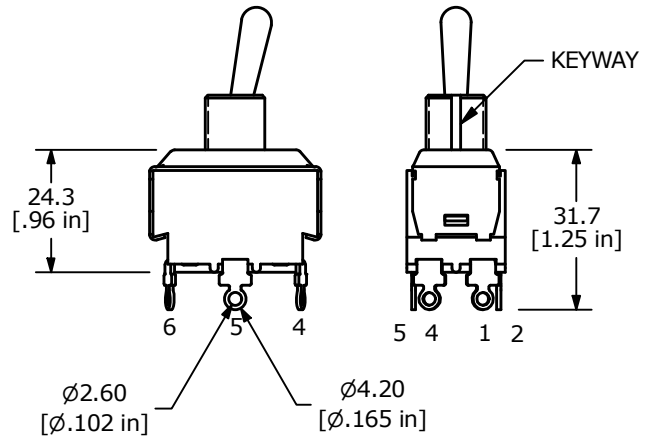
1

ST2 SERIES TOGGLE SWITCH

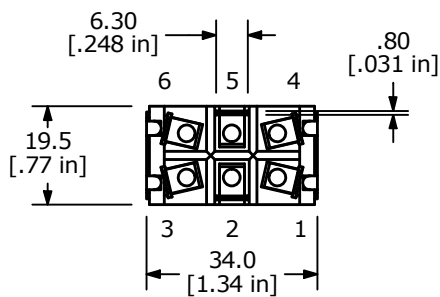
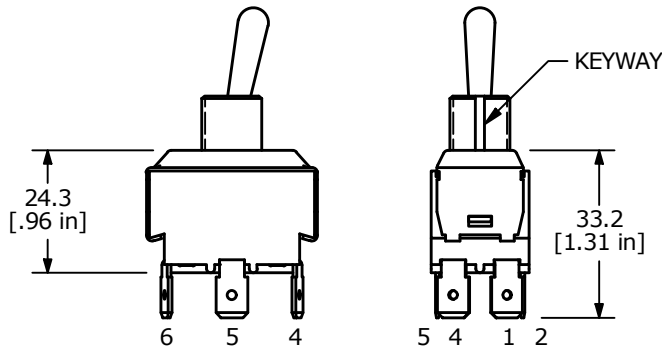
TERMINAL OPTIONS



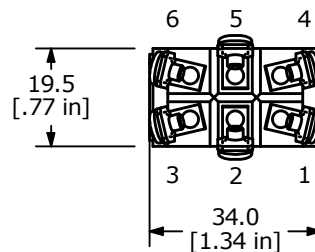
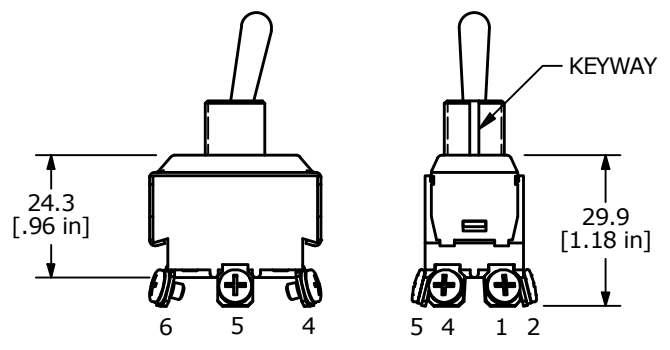
1 = 4.8mm TABS



2 = SOLDER



4 = 6.3mm TABS



6 = SCREW

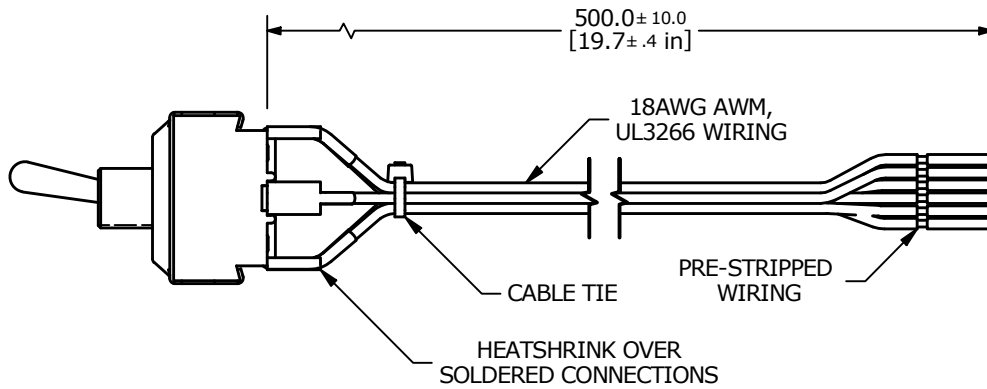


ST2 SERIES TOGGLE SWITCH

TERMINAL OPTIONS (CONTINUED)

SWITCH	WIRE	LENGTH
SW1-1	WIRE, 18AWG AWM UL3266, GREEN	500.0 [19.7 in]
SW1-2	WIRE, 18AWG AWM UL3266, PINK	500.0 [19.7 in]
SW1-3	WIRE, 18AWG AWM UL3266, YELLOW	500.0 [19.7 in]
SW1-4	WIRE, 18AWG AWM UL3266, BLUE	500.0 [19.7 in]
SW1-5	WIRE, 18AWG AWM UL3266, WHITE	500.0 [19.7 in]
SW1-6	WIRE, 18AWG AWM UL3266, ORANGE	500.0 [19.7 in]

** WIRE LEADS PROVIDED ARE DEPENDANT ON THE FUNCTION SELECTED **

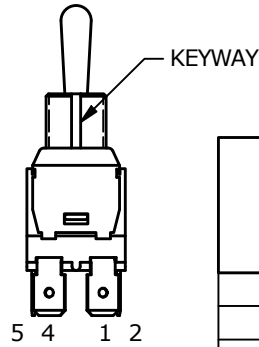
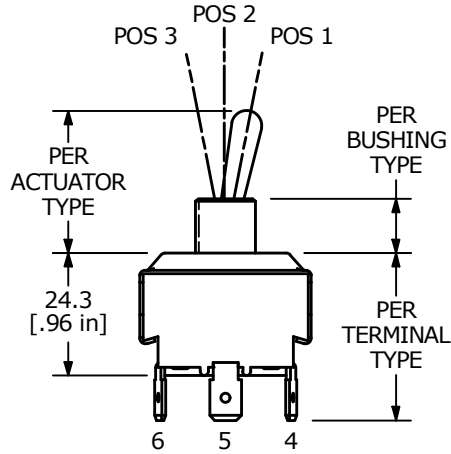


W = WIRED LEADS 500mm



ST2 SERIES TOGGLE SWITCH

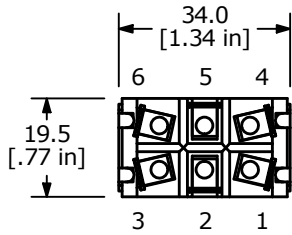
FUNCTION OPTIONS



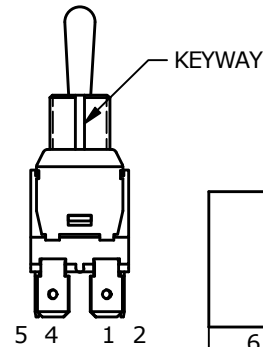
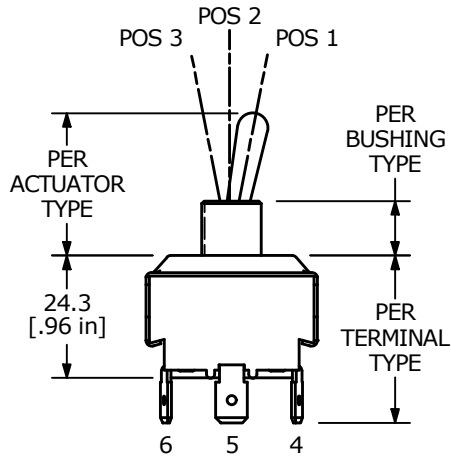
FUNCTIONS: 2, G, & E

FUNCTION	POS. 1	POS. 2	POS. 3
2 - OFF - ON	OFF	N/A	ON
G - ON - ON	ON	N/A	ON
E - OFF - (ON)	(ON)	N/A	N/A
TERMINAL CLOSURES	2 & E = 1-2, 4-5 G = 2-3, 5-6	N/A	1-2, 4-5

() = DENOTES MOMENTARY



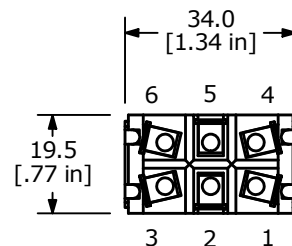
TERMINALS 3 AND 6 ONLY WITH FUNCTION G



FUNCTIONS: 6, J, & K

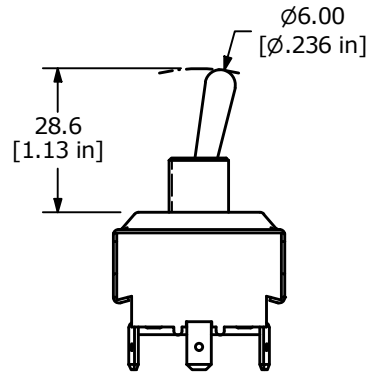
FUNCTION	POS. 1	POS. 2	POS. 3
6 - ON - OFF - ON	ON	OFF	ON
J - ON - OFF - (ON)	ON	OFF	(ON)
K - (ON) - OFF - (ON)	(ON)	OFF	(ON)
TERMINAL CLOSURES	2-3, 5-6	OPEN	1-2, 4-5

() = DENOTES MOMENTARY



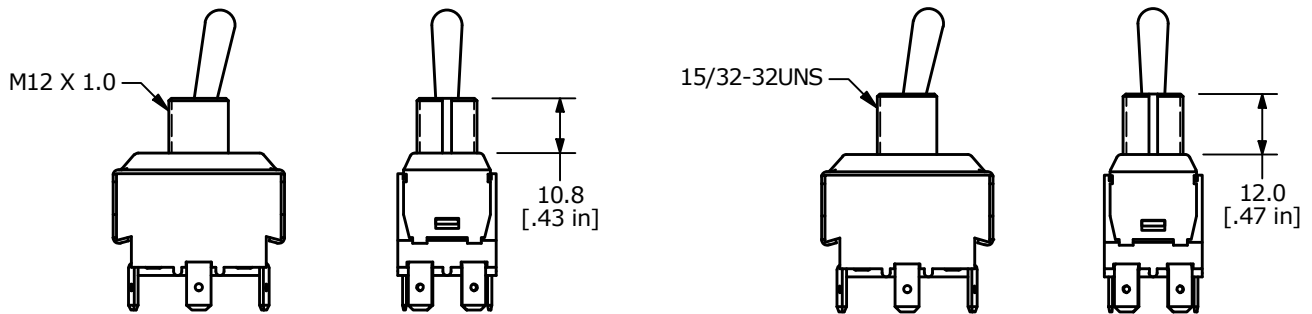
ST2 SERIES TOGGLE SWITCH

ACTUATOR OPTIONS



0 = STANDARD BAT

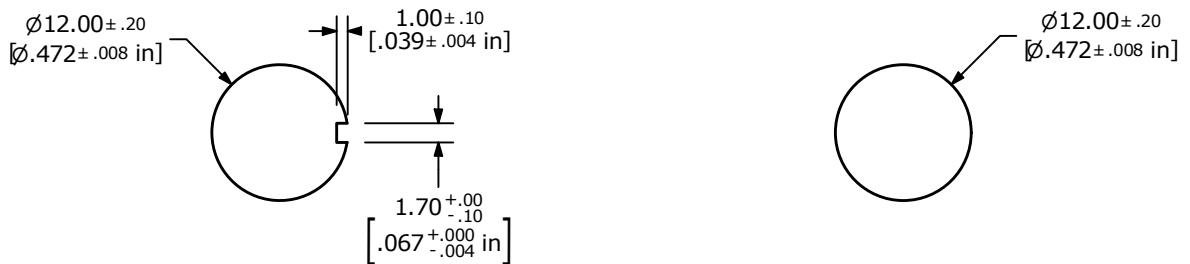
BUSHING OPTIONS



0 = M12 X 1.0

2 = 15/32"-32UNS

PANEL CUTOUT OPTIONS



RECOMMENDED PANEL CUTOUT

ALTERNATE PANEL CUTOUT



Looking for pricing, stock, or lifecycle information?

Click below to explore more details on WIN SOURCE:

 [View ST246D00 on WIN SOURCE](#)

 [E-Switch Information](#)

Optimize Your Supply Chain with WIN SOURCE Solutions

-  Global Sourcing Solution
-  Obsolete Management
-  Cost Control Management
-  Shortage Management
-  Alternative Solution
-  Excess Inventory Management