



# THE DATASHEET OF SSL5001T/1J



# SSL5001T

## Compact non-dimmable LED controller IC

Rev. 2 — 26 June 2014

Product data sheet

## 1. General description

---

The SSL5001T is an Integrated Circuit (IC) for driving LED lamps in general lighting applications. It operates in fixed frequency mode. Frequency jitter is implemented to reduce ElectroMagnetic Interference (EMI).

The main benefits of this IC include:

- Constant power mode applications support
- Small Printed-Circuit Board (PCB) footprint and compact solution
- High efficiency (85 % typical)
- Ease of integration and many protection features
- Low electronic Bill Of Material (BOM)
- Constant current and constant voltage operation possible using an optocoupler

The VINSENSE and PROTECT pins are reserved for protection purposes. Input UnderVoltage Protection (UVP), input OverVoltage Protection (OVP), output OVP and output OverTemperature Protection (OTP) can be implemented using a minimum of external components.

The IC provides output power control to 10 % LED current accuracy. The IC has many protection features including easy LED temperature feedback with an external PTC.

**Remark:** All values are typical values unless otherwise stated

## 2. Features and benefits

---

- LED controller IC for driving strings of LEDs or high-voltage LED modules from a rectified mains supply
- Part of a high-efficiency switch mode flyback or buck/boost product family.
  - ◆ Controller-only which can drive an external MOSFET
- Very low supply current during start-up and restart (10  $\mu$ A)
- Low supply current during normal operation (0.5 mA without load)
- Applicable in buck/boost and flyback topologies
- Fast transient response through cycle-by-cycle current control:
  - ◆ Low AC mains ripple in LED current
  - ◆ No over or undershoots in the LED current
- Internal protection and features:
  - ◆ UnderVoltage LockOut (UVLO)
  - ◆ Leading Edge Blanking (LEB)
  - ◆ General purpose protection input



- ◆ OverCurrent Protection (OCP)
- ◆ Open output protection
- ◆ Fixed switching frequency with frequency jitter to reduce EMI
- ◆ Frequency reduction with fixed minimum peak current to maintain high-efficiency at low output power levels
- ◆ Internal OverTemperature Protection (OTP)
- ◆ Mains UnderVoltage Protection (UVP) and OverVoltage Protection (OVP)
- ◆ Output Short Protection (OSP)
- Low component count (see [Figure 3](#)) LED driver solution:
  - ◆ Easy external temperature protection with a PTC
  - ◆ Option for soft-start function
- IC lifetime easily matches or surpasses LED lamp lifetime

### 3. Applications

The SSL5001T is intended for compact LED lamps with fixed power output for single mains input voltages. Mains input voltages include 100 V, 120 V and 230 V (AC) depending on the voltage rating of the external components. The power range is determined using external components. For a rated power higher than 25 W, additional mains current conditioning circuitry can be required.

### 4. Quick reference data

Table 1. Quick reference data

Symbol	Parameter	Conditions	Min	Typ	Max	Unit
$V_{CC}$	supply voltage	operating range	14	-	25	V
$I_{CC}$	supply current	no load on pin DRIVER	0.4	0.5	0.6	mA
$f_{conv}$	conversion frequency		62	66.5	71	kHz
$V_{O(DRIVER)max}$	maximum output voltage on pin DRIVER	$V_{CC} > V_{CC(startup)}$	9	10.5	12	V

### 5. Ordering information

Table 2. Ordering information

Type number	Package		
	Name	Description	Version
SSL5001T	SO8	plastic small outline package; 8 leads; body width 3.9 mm	SOT96-1

6. Block diagram

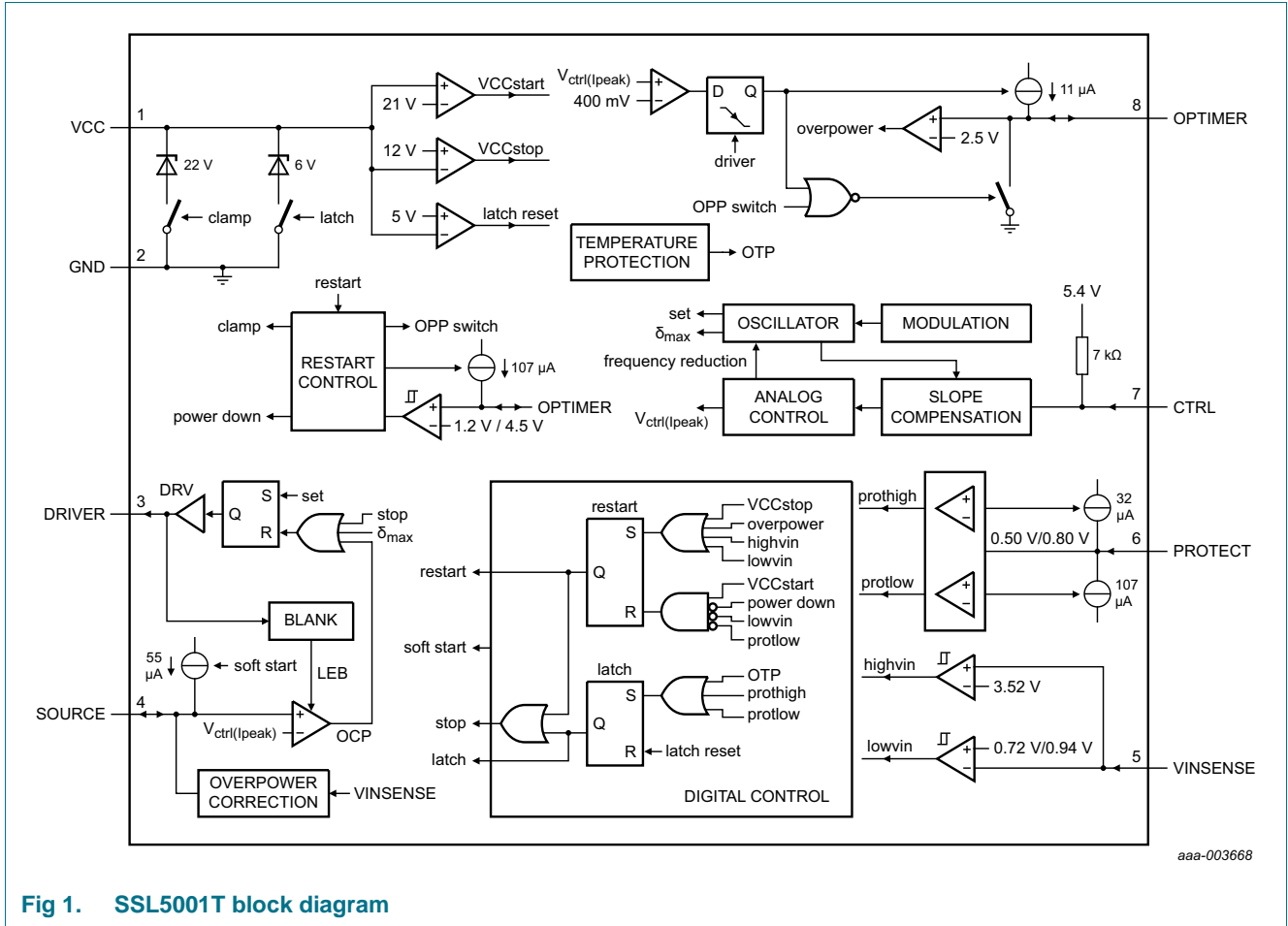
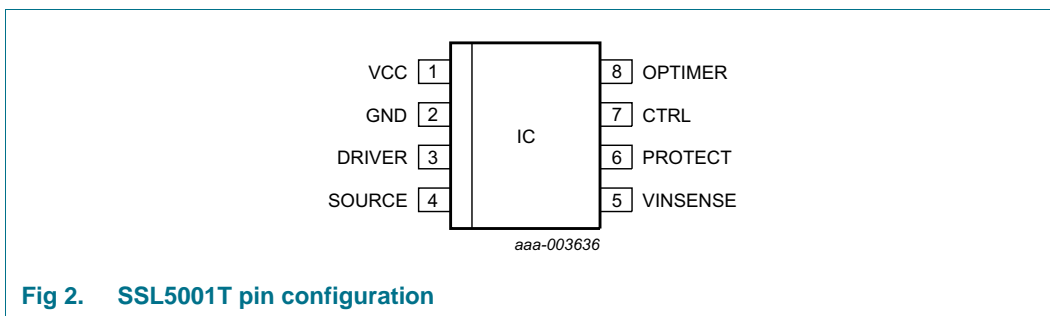


Fig 1. SSL5001T block diagram

## 7. Pinning information

### 7.1 Pinning



### 7.2 Pin description

Table 3. Pin description

Symbol	Pin	Description
VCC	1	supply voltage
GND	2	ground
DRIVER	3	gate driver output
SOURCE	4	current sense input
VINSENSE	5	input voltage protection input
PROTECT	6	general-purpose protection input
CTRL	7	control input
OPTIMER	8	overpower and restart timer



The driver circuit to the power MOSFET gate has a current sourcing capability of 300 mA and a current sink capability of 750 mA. This enables efficient operation due to the fast power MOSFET switch-on and switch-off.

At the lowest VCC voltage ( $V_{CC(stop)}$ ), the voltage of the driver is  $V_{O(DRIVER)min}$ .

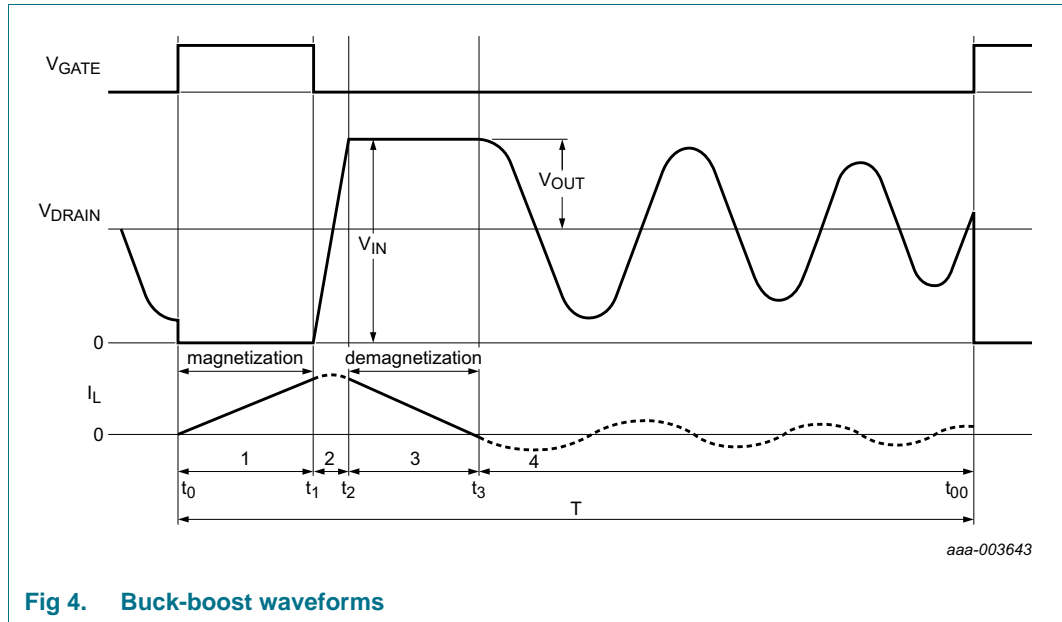


Fig 4. Buck-boost waveforms

### 8.5 Protective features

The IC has the following protections:

- UnderVoltage LockOut (UVLO)
- Output OverVoltage Protection (OVP)
- Leading Edge Blanking (LEB)
- OverCurrent Protection (OCP)
- Internal OverTemperature Protection (OTP)
- Mains UnderVoltage Protection (UVP) and OverVoltage Protection (OVP)
- Output Short Protection (OSP)

The internal OTP is a latched protection. This protective feature causes the IC to halt until a reset (a result of power cycling) is executed. When  $V_{CC}$  drops lower than  $V_{CC(rst)}$ , the IC resets the latch protection mode. Switching starts only when no fault condition exists.

#### 8.5.1 UnderVoltage LockOut (UVLO)

When the voltage on the VCC pin drops lower than  $V_{CC(stop)}$ , the IC stops switching. A restart attempt is made after the external resistor fully recharges the VCC capacitor. At an output short-circuit the auxiliary voltage is reduced significantly, depending on the coupling of the transformer. As a result the UVLO is activated providing an adequate short-circuit protection.

**8.5.2 Leading Edge Blanking (LEB)**

To prevent false detection of overcurrent, a blanking time following switch-on is implemented. When the MOSFET switch turns on there can be a short current spike due to capacitive discharge of voltage over the drain and source. During the LEB time ( $t_{leb}$ ), the spike is disregarded.

**8.5.3 OverCurrent Protection (OCP)**

The SSL5001T contains a peak current detector. It triggers when the voltage at the SOURCE pin reaches the peak-level  $V_{th(ocp)SOURCE}$ . The current through the switch is sensed using a resistor connected to the SOURCE pin. The sense circuit is activated following LEB time  $t_{leb}$ . There is a propagation delay between overcurrent detection and the actual closure of the switch  $t_{d(ocp-swoff)}$ . Due to the delay, the actual peak current is slightly higher than the OCP level set using the resistor in series to the SOURCE pin. This effect can be compensated by the mains overpower compensation as described in [Section 8.5.6](#).

**8.5.4 OverTemperature Protection (OTP)**

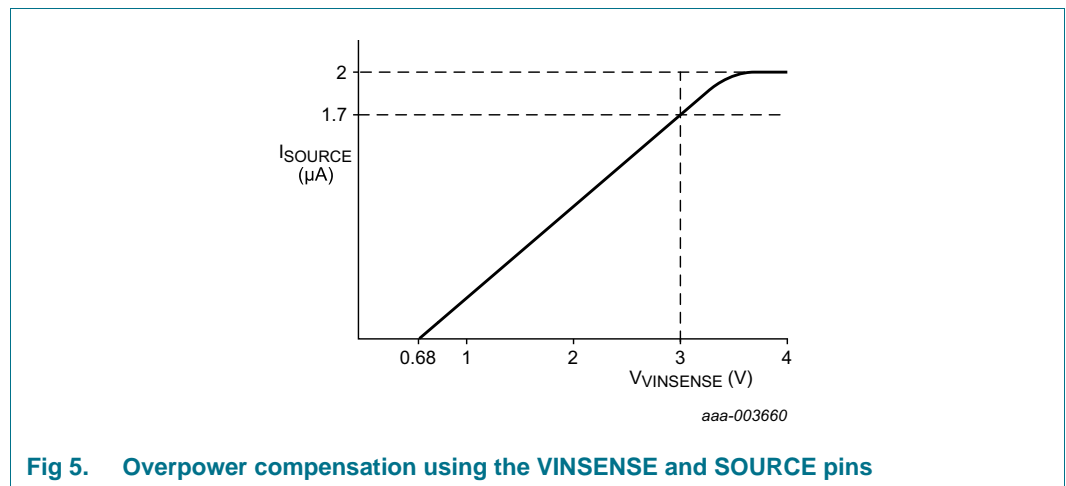
When the internal OTP function is triggered at a certain IC temperature ( $T_{th(act)otp}$ ), the converter stops operating. OTP is a latched protection which is reset by removing the voltage from the VCC pin.

**8.5.5 Mains UnderVoltage Protection (UVP)**

Mains undervoltage protection is designed to limit the lamp power when the input voltage drops too low. Since the input power has to remain constant, the input current would otherwise increase to a level that is too large for the input circuitry.

**8.5.6 Mains OverPower Compensation (OPC)**

The overpower compensation function can be used to realize a maximum output power which is nearly constant over the full mains input. The overpower compensation circuit measures the input voltage on the VINSENSE pin and outputs a proportionally dependent current on the SOURCE pin (see [Figure 5](#)). The DC voltage across the soft-start resistor limits the maximum peak current on the current sense resistor.



**Fig 5. Overpower compensation using the VINSENSE and SOURCE pins**

### 8.5.7 Protection input (PROTECT PIN)

The PROTECT pin is a general-purpose input which can be used to switch off the converter (latched protection). The converter is stopped when the voltage on this pin is pulled above  $V_{\text{det(H)}(\text{PROTECT})}$  (0.8 V) or under  $V_{\text{det(L)}(\text{PROTECT})}$  (0.5 V). A current of 32  $\mu\text{A}$  flows from the IC when  $V_{\text{PROTECT}}$  is at  $V_{\text{det(L)}(\text{PROTECT})}$ . A current of 107  $\mu\text{A}$  flows into the IC, when  $V_{\text{PROTECT}}$  is at  $V_{\text{det(H)}(\text{PROTECT})}$  level.

The PROTECT input can be used to create overvoltage detection and OTP functions. Connect a 22 nF capacitor in parallel to a 1 M $\Omega$  resistor to the PROTECT pin if the protective features of this pin are not used.

An internal 4.1 V clamp protects this pin from overvoltage situations.

### 8.6 VCC supply

The SSL5001T can be supplied using three methods:

- Under normal operation, the voltage on the auxiliary winding is rectified and generates the  $V_{\text{CC}}$  supply voltage
- At start-up, an external resistor provides internal power until either the auxiliary supply or an external current on the VCC pin provides the supply
- An external voltage source can be connected to the VCC pin

Initially, the capacitor on the VCC pin is charged from the high-voltage mains via resistor R3.

If  $V_{\text{CC}}$  is lower than  $V_{\text{startup}}$ , the IC current consumption is low (10  $\mu\text{A}$ ). When  $V_{\text{CC}}$  reaches  $V_{\text{startup}}$ , the IC first waits for the VINSENSE pin to reach  $V_{\text{start(VINSENSE)}}$  and the PROTECT pin to reach  $V_{\text{det(L)}(\text{PROTECT})}$ . When both levels are reached, the IC charges the SOURCE pin to the  $V_{\text{start(soft)}}$  level and starts switching. In a typical application, the supply voltage is taken over by the auxiliary winding of the transformer.

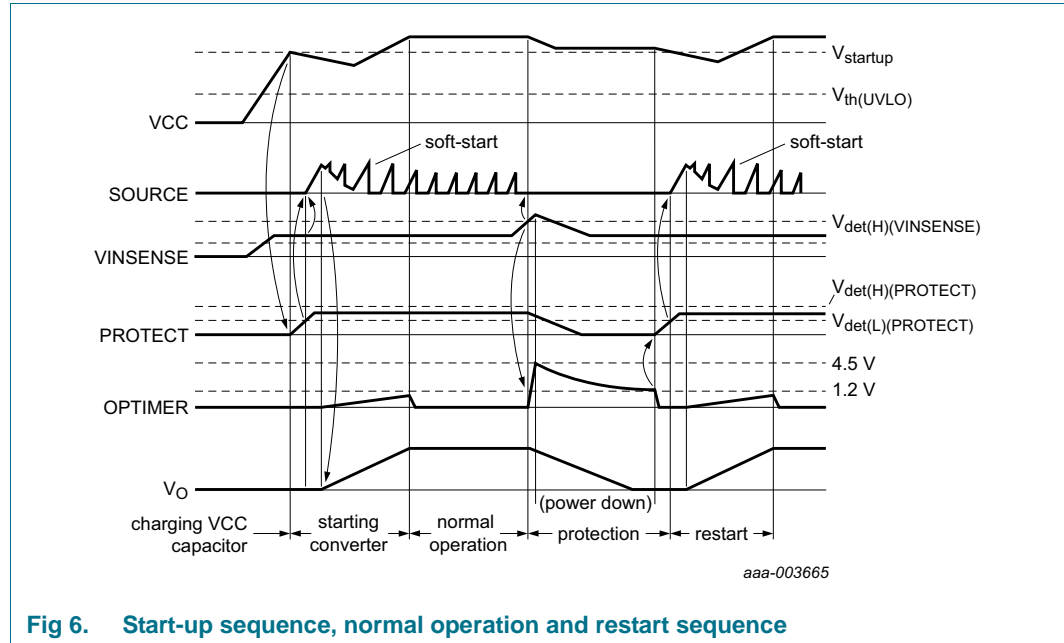
If a protection is triggered, the controller stops switching. Depending on the triggered protection, a restart or latch to an off-state is activated.

A restart caused by a protection rapidly charges the OPTIMER pin to 4.5 V. The IC enters Power-down mode until the OPTIMER pin discharges to 1.2 V. In Power-down mode, the IC consumes a very low supply current (10  $\mu\text{A}$ ) and the VCC pin is clamped at 22 V using an internal clamp circuit. When the voltage on the OPTIMER pin drops under 1.2 V and the VCC pin voltage is higher than the VCC start-up voltage (see [Figure 4](#)), the IC restarts. Connect a 180 k $\Omega$  resistor between the OPTIMER pin and the ground for proper operation. The parallel capacitor can be chosen freely to set the desired hiccup frequency.

When a latched protection is triggered, the IC immediately enters Power-down mode. The VCC pin is clamped to a voltage just above the latch protection reset voltage ( $V_{\text{rst(latch)}} + 1 \text{ V}$ ).

When the voltage on the VCC pin drops under  $V_{\text{th(UVLO)}}$  during normal operation, the controller stops switching and enters restart mode. In restart mode, the driver output is disabled and the VCC pin voltage is recharged using resistor R3 which is connected to the rectified mains.

**Remark:** The  $V_{CC}$  clamp current of the IC is 240  $\mu$ A. As a result an external 30 V Zener clamp can be required in applications with a short start-up time.



**Fig 6. Start-up sequence, normal operation and restart sequence**

### 8.7 Supply management

All internal reference voltages are derived from a temperature compensated on-chip band gap circuit. The internal reference currents are derived from a trimmed and temperature compensated current reference circuit.

### 8.8 Soft-start function

To prevent audible noise during start-up or a restart condition, a soft-start is made. Before the converter starts, the soft-start capacitor (C6, see [Figure 9](#)) on the SOURCE pin is charged. When the converter starts switching, the primary peak current slowly increases as the soft-start capacitor discharges through the soft-start resistor (R6, see [Figure 9](#)). The soft-start capacitor value selected sets the soft-start time constant. The soft-start resistor value must also be taken into account but overpower compensation typically defines this value (see [Section 8.5.5](#)). The soft-start resistor R5 must be at least 12 k $\Omega$  to ensure a proper start-up.

### 8.9 Input voltage detection (VINSENSE pin)

In a typical application, the mains input voltage can be detected by the VINSENSE pin. Switching does not take place until the voltage on VINSENSE has reached  $V_{start}(VINSENSE)$  (0.94 V).

When the VINSENSE voltage drops under  $V_{det(L)(VINSENSE)}$  (0.72 V) or exceeds  $V_{det(H)(VINSENSE)}$  (3.52 V), the converter stops switching and performs a restart.

If pin VINSENSE is left open or disconnected, the pin is pulled up by the internal 20 nA current source to reach the  $V_{det(H)(VINSENSE)}$  level. This triggers restart protection. An internal 5.2 V clamp protects the VINSENSE pin from overvoltages.

**8.10 Duty cycle control (CTRL pin)**

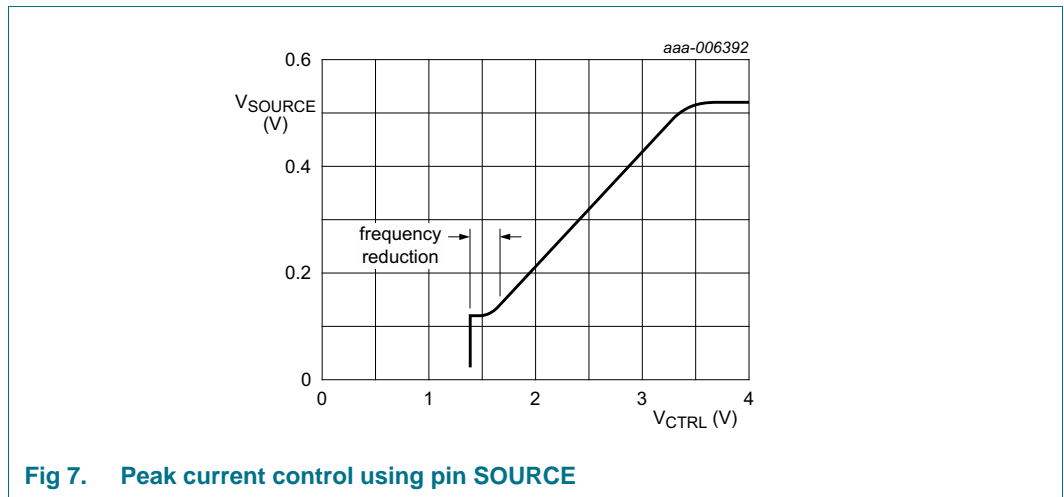
The output power of the converter is regulated by the CTRL pin. This pin is connected to an internal 5.4 V supply using an internal 7 kΩ resistor.

The CTRL pin voltage sets the peak current which is measured using the SOURCE pin (see Section 8.11). At a low output power, the switching frequency is also reduced. The maximum duty cycle is limited to 72 %.

**8.11 Current mode control (SOURCE pin)**

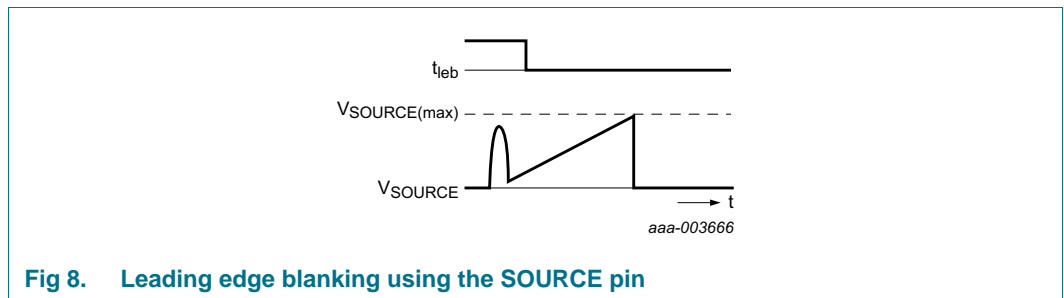
Current mode control is used for its good line regulation.

The primary current is sensed by the SOURCE pin across an external resistor R9 (see Figure 9) and compared with an internal reference voltage. The internal reference voltage is proportional to the CTRL pin voltage (see Figure 7).



**Fig 7. Peak current control using pin SOURCE**

Leading edge blanking prevents false triggering due to capacitive discharge when switching on the external power switch (see Figure 8).



**Fig 8. Leading edge blanking using the SOURCE pin**

## 9. Limiting values

**Table 4. Limiting values**

*In accordance with the Absolute Maximum Rating System (IEC 60134).*

Symbol	Parameter	Conditions	Min	Max	Unit
<b>Voltages</b>					
V <sub>CC</sub>	supply voltage	continuous	-0.4	+30	V
		t < 100 ms	-	35	V
V <sub>VINSENSE</sub>	voltage on pin VINSENSE	current limited	-0.4	+5.5	V
V <sub>PROTECT</sub>	voltage on pin PROTECT	current limited	-0.4	+5	V
V <sub>CTRL</sub>	voltage on pin CTRL		-0.4	+5.5	V
V <sub>IO(OPTIMER)</sub>	input/output voltage on pin OPTIMER		-0.4	+5	V
V <sub>SOURCE</sub>	voltage on pin SOURCE	current limited	-0.4	+5	V
<b>Currents</b>					
I <sub>CC</sub>	supply current	pin VCC; $\delta < 10\%$	-	+0.4	A
I <sub>I(VINSENSE)</sub>	input current on pin VINSENSE		-1	+1	mA
I <sub>I(PROTECT)</sub>	input current on pin PROTECT		-1	+1	mA
I <sub>CTRL</sub>	current on pin CTRL		-3	0	mA
I <sub>SOURCE</sub>	current on pin SOURCE		-10	+1	mA
I <sub>DRIVER</sub>	current on pin DRIVER	$\delta < 10\%$	-0.4	+1	A
<b>General</b>					
P <sub>tot</sub>	total power dissipation	T <sub>amb</sub> < 75 °C	-	0.5	W
T <sub>stg</sub>	storage temperature		-55	+150	°C
T <sub>j</sub>	junction temperature		-40	+150	°C
T <sub>amb</sub>	ambient temperature		<td>	<td>	°C

**Table 4. Limiting values ...continued**  
 In accordance with the Absolute Maximum Rating System (IEC 60134).

Symbol	Parameter	Conditions	Min	Max	Unit
<b>ESD</b>					
V <sub>ESD</sub>	electrostatic discharge voltage	class 1			
		human body model [1]	-	4000	V
		machine model [2]	-	300	V
		charged device model	-	750	V

[1] Equivalent to discharging a 100 pF capacitor through a 1.5 kΩ series resistor.

[2] Equivalent to discharging a 200 pF capacitor through a 0.75 μH coil and a 10 Ω resistor.

## 10. Thermal characteristics

**Table 5. Thermal characteristics**

Symbol	Parameter	Conditions	Typ	Unit
R <sub>th(j-a)</sub>	thermal resistance from junction to ambient	in free air; JEDEC test board	150	K/W
R <sub>th(j-c)</sub>	thermal resistance from junction to case	in free air; JEDEC test board	79	K/W

## 11. Characteristics

**Table 6. Characteristics**

$T_{amb} = 25\text{ °C}$ ;  $V_{CC} = 20\text{ V}$ ; all voltages are measured with respect to ground (pin 2); currents are positive when flowing into the IC; unless otherwise specified.

Symbol	Parameter	Conditions	Min	Typ	Max	Unit
<b>Supply voltage management (VCC pin)</b>						
V <sub>startup</sub>	start-up voltage		18.6	20.6	22.6	V
V <sub>th(UVLO)</sub>	undervoltage lockout threshold voltage		11.2	12.2	13.2	V
V <sub>clamp(VCC)</sub>	clamp voltage on pin VCC	activated during restart	-	V <sub>startup</sub> + 1	-	V
		activated during latched protection	-	V <sub>rst(latch)</sub> + 1	-	V
V <sub>hys</sub>	hysteresis voltage	V <sub>startup</sub> - V <sub>th(UVLO)</sub>	8	9	10	V
I <sub>CC(startup)</sub>	start-up supply current	V <sub>CC</sub> < V <sub>startup</sub>	5	10	15	μA
I <sub>CC</sub>	supply current	no load on pin DRIVER	0.4	0.5	0.6	mA
V <sub>rst(latch)</sub>	latched reset voltage		4	5	6	V

**Table 6. Characteristics ...continued**

$T_{amb} = 25\text{ }^{\circ}\text{C}$ ;  $V_{CC} = 20\text{ V}$ ; all voltages are measured with respect to ground (pin 2); currents are positive when flowing into the IC; unless otherwise specified.

Symbol	Parameter	Conditions	Min	Typ	Max	Unit
<b>Input voltage sensing (VINSENSE pin)</b>						
$V_{start(VINSENSE)}$	start voltage on pin VINSENSE	detection level	0.89	0.94	0.99	V
$V_{det(L)(VINSENSE)}$	LOW-level detection voltage on pin VINSENSE		0.68	0.72	0.76	V
$V_{det(H)(VINSENSE)}$	HIGH-level detection voltage on pin VINSENSE		3.39	3.52	3.65	V
$I_{O(VINSENSE)}$	output current on pin VINSENSE		-	-20	-	nA
$V_{clamp(VINSENSE)}$	clamp voltage on pin VINSENSE	$I_{I(VINSENSE)} = 50\text{ }\mu\text{A}$	-	5.2	-	V
<b>Protection input (PROTECT pin)</b>						
$V_{det(L)(PROTECT)}$	LOW-level detection voltage on pin PROTECT		0.47	0.50	0.53	V
$V_{det(H)(PROTECT)}$	HIGH-level detection voltage on pin PROTECT		0.75	0.8	0.85	V
$I_{O(PROTECT)}$	output current on pin PROTECT	$V_{PROTECT} = V_{low(PROTECT)}$	-34	-32	-30	$\mu\text{A}$
		$V_{PROTECT} = V_{high(PROTECT)}$	87	107	127	$\mu\text{A}$
$V_{clamp(PROTECT)}$	clamp voltage on pin PROTECT	$I_{I(PROTECT)} = 200\text{ }\mu\text{A}$ <a href="#">[1]</a>	3.5	4.1	4.7	V
<b>Peak current control (CTRL pin)</b>						
$V_{CTRL}$	voltage on pin CTRL	for minimum flyback peak current	1.5	1.8	2.1	V
		for maximum flyback peak current	3.4	3.9	4.3	V
$R_{int(CTRL)}$	internal resistance on pin CTRL		5	7	9	k $\Omega$
$I_{O(CTRL)}$	output current on pin CTRL	$V_{CTRL} = 1.4\text{ V}$	-0.7	-0.5	-0.3	mA
		$V_{CTRL} = 3.7\text{ V}$	-0.28	-0.2	-0.12	mA
<b>Pulse width modulator</b>						
$f_{osc}$	oscillator frequency		62	66.5	71	kHz
$f_{mod}$	modulation frequency		210	280	350	Hz
$\Delta f_{mod}$	modulation frequency variation		$\pm 3$	$\pm 4$	$\pm 5$	kHz

**Table 6. Characteristics ...continued**

$T_{amb} = 25\text{ }^{\circ}\text{C}$ ;  $V_{CC} = 20\text{ V}$ ; all voltages are measured with respect to ground (pin 2); currents are positive when flowing into the IC; unless otherwise specified.

Symbol	Parameter	Conditions	Min	Typ	Max	Unit
$\delta_{max}$	maximum duty cycle		68.5	72	79	%
$V_{start(red)f}$	frequency reduction start voltage	CTRL pin	1.5	1.8	2.1	V
$V_{\delta(zero)}$	zero duty cycle voltage	CTRL pin	1.25	1.55	1.85	V
<b>Overpower protection (OPTIMER pin)</b>						
$V_{prot(OPTIMER)}$	protection voltage on pin OPTIMER		2.4	2.5	2.6	V
$I_{prot(OPTIMER)}$	protection current on pin OPTIMER	no overpower situation	100	150	200	$\mu\text{A}$
		overpower situation	-12.2	-10.7	-9.2	$\mu\text{A}$
<b>Restart timer (OPTIMER pin)</b>						
$V_{restart(OPTIMER)}$	restart voltage on pin OPTIMER	low-level	0.8	1.2	1.6	V
		high-level	4.1	4.5	4.9	V
$I_{restart(OPTIMER)}$	restart current on pin OPTIMER	charging OPTIMER capacitor	-127	-107	-87	$\mu\text{A}$
		discharging OPTIMER capacitor	-0.1	0	0.1	$\mu\text{A}$
<b>Current sense (SOURCE pin)</b>						
$V_{SOURCE(max)}$	maximum voltage on pin SOURCE	$\Delta V/\Delta t = 50\text{ mV}/\mu\text{s}$ ; $V_{VINSENSE} = 0.78\text{ V}$	0.48	0.51	0.54	V
		$\Delta V/\Delta t = 200\text{ mV}/\mu\text{s}$ ; $V_{VINSENSE} = 0.78\text{ V}$	0.50	0.53	0.56	V
$V_{th(opp)SOURCE}$	overpower protection threshold voltage on pin SOURCE		370	400	430	mV
$\Delta V_{sc}/\Delta t$	slope compensation voltage	pin SOURCE; $\Delta V/\Delta t = 50\text{ mV}/\mu\text{s}$	17	25	33	$\text{mV}/\mu\text{s}$
$t_{leb}$	leading edge blanking time		250	300	350	ns
<b>Overpower compensation (VINSENSE and SOURCE pins)</b>						
$I_{opc(SOURCE)}$	overpower compensation current on pin SOURCE	$V_{VINSENSE} = 1.25\text{ V}$ ; $V_{SOURCE(max)} > 400\text{ mV}$	-1.0	-	+0.1	$\mu\text{A}$
		$V_{VINSENSE} = 2.75\text{ V}$ ; $V_{SOURCE(max)} > 400\text{ mV}$	-2.6	-	-1.0	$\mu\text{A}$
		$V_{VINSENSE} = 4\text{ V}$ ; $V_{SOURCE(max)} > 400\text{ mV}$	-2.2	-	-1.9	$\mu\text{A}$
<b>Soft-start (SOURCE pin)</b>						
$I_{start(soft)}$	soft start current		-63	-55	-47	$\mu\text{A}$
$V_{start(soft)}$	soft start voltage	$V_{CTRL} = 4\text{ V}$ ; enable voltage	-	$V_{sense(max)}$	-	V

**Table 6. Characteristics ...continued**

$T_{amb} = 25\text{ °C}$ ;  $V_{CC} = 20\text{ V}$ ; all voltages are measured with respect to ground (pin 2); currents are positive when flowing into the IC; unless otherwise specified.

Symbol	Parameter	Conditions	Min	Typ	Max	Unit
$R_{start(soft)}$	soft start resistance		12	-	-	k $\Omega$
<b>Driver (DRIVER (pin))</b>						
$I_{source(DRIVER)}$	source current on pin DRIVER	$V_{DRIVER} = 2\text{ V}$	-	-0.3	-0.25	A
$I_{sink(DRIVER)}$	sink current on pin DRIVER	$V_{DRIVER} = 2\text{ V}$	0.25	0.3	-	A
		$V_{DRIVER} = 10\text{ V}$	0.6	0.75	-	A
$V_{O(DRIVER)max}$	maximum output voltage on pin DRIVER	$V_{CC} > V_{CC(startup)}$	9	10.5	12	V
<b>Temperature protection</b>						
$T_{pl(IC)}$	IC protection level temperature	latching	130	140	150	$^{\circ}\text{C}$

[1] The clamp voltage on the PROTECT pin is lowered when the IC is in power-down (latched or restart protection).



13. Package outline

SO8: plastic small outline package; 8 leads; body width 3.9 mm

SOT96-1

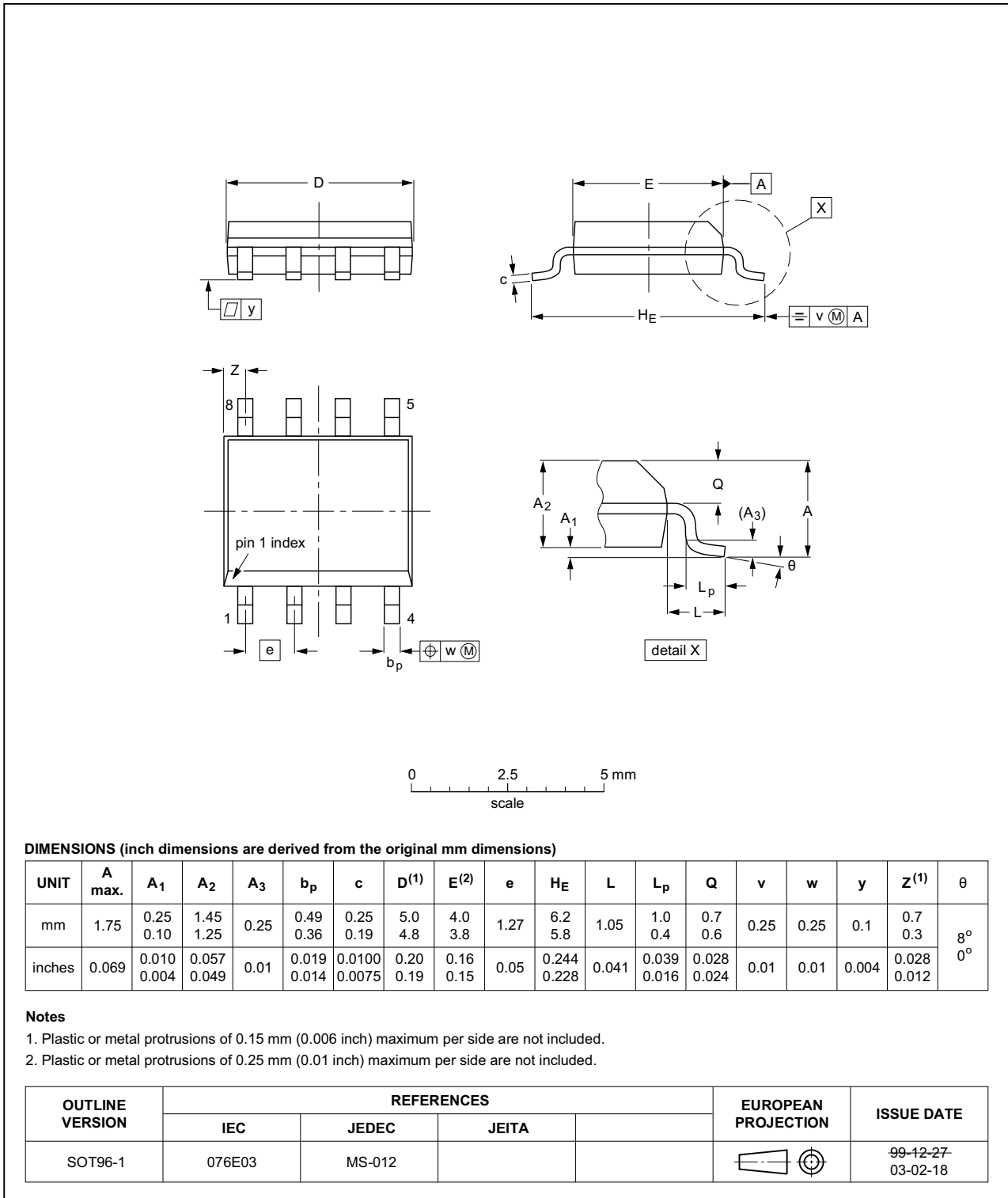


Fig 10. Package outline SOT96-1 (SOT8)

## 14. Abbreviations

Table 7. Abbreviations

Acronym	Description
BOM	Bill Of Materials
CCM	Continuous Conduction Mode
DCM	Discontinuous Conduction Mode
LEB	Leading Edge Blanking
LED	Light Emitting Diode
MOSFET	Metal-Oxide Semiconductor Field-Effect Transistor
OCP	OverCurrent Protection
OSP	Output Short Protection
OTP	OverTemperature Protection
PCB	Printed-Circuit Board
UVLO	UnderVoltage LockOut

## 15. Revision history

Table 8. Revision history

Document ID	Release date	Data sheet status	Change notice	Supersedes
SSL5001 v.2	20140626	Product data sheet	-	SSL5001T v.1
Modifications:	• Data sheet status has changed from Objective to Product.			
SSL5001T v.1	20130419	Objective data sheet	-	-

## 16. Legal information

### 16.1 Data sheet status

Document status <sup>[1][2]</sup>	Product status <sup>[3]</sup>	Definition
Objective [short] data sheet	Development	This document contains data from the objective specification for product development.
Preliminary [short] data sheet	Qualification	This document contains data from the preliminary specification.
Product [short] data sheet	Production	This document contains the product specification.

[1] Please consult the most recently issued document before initiating or completing a design.

[2] The term 'short data sheet' is explained in section "Definitions".

[3] The product status of device(s) described in this document may have changed since this document was published and may differ in case of multiple devices. The latest product status information is available on the Internet at URL <http://www.nxp.com>.

### 16.2 Definitions

**Draft** — The document is a draft version only. The content is still under internal review and subject to formal approval, which may result in modifications or additions. NXP Semiconductors does not give any representations or warranties as to the accuracy or completeness of information included herein and shall have no liability for the consequences of use of such information.

**Short data sheet** — A short data sheet is an extract from a full data sheet with the same product type number(s) and title. A short data sheet is intended for quick reference only and should not be relied upon to contain detailed and full information. For detailed and full information see the relevant full data sheet, which is available on request via the local NXP Semiconductors sales office. In case of any inconsistency or conflict with the short data sheet, the full data sheet shall prevail.

**Product specification** — The information and data provided in a Product data sheet shall define the specification of the product as agreed between NXP Semiconductors and its customer, unless NXP Semiconductors and customer have explicitly agreed otherwise in writing. In no event however, shall an agreement be valid in which the NXP Semiconductors product is deemed to offer functions and qualities beyond those described in the Product data sheet.

### 16.3 Disclaimers

**Limited warranty and liability** — Information in this document is believed to be accurate and reliable. However, NXP Semiconductors does not give any representations or warranties, expressed or implied, as to the accuracy or completeness of such information and shall have no liability for the consequences of use of such information. NXP Semiconductors takes no responsibility for the content in this document if provided by an information source outside of NXP Semiconductors.

In no event shall NXP Semiconductors be liable for any indirect, incidental, punitive, special or consequential damages (including - without limitation - lost profits, lost savings, business interruption, costs related to the removal or replacement of any products or rework charges) whether or not such damages are based on tort (including negligence), warranty, breach of contract or any other legal theory.

Notwithstanding any damages that customer might incur for any reason whatsoever, NXP Semiconductors' aggregate and cumulative liability towards customer for the products described herein shall be limited in accordance with the *Terms and conditions of commercial sale* of NXP Semiconductors.

**Right to make changes** — NXP Semiconductors reserves the right to make changes to information published in this document, including without limitation specifications and product descriptions, at any time and without notice. This document supersedes and replaces all information supplied prior to the publication hereof.

**Suitability for use** — NXP Semiconductors products are not designed, authorized or warranted to be suitable for use in life support, life-critical or safety-critical systems or equipment, nor in applications where failure or malfunction of an NXP Semiconductors product can reasonably be expected to result in personal injury, death or severe property or environmental damage. NXP Semiconductors and its suppliers accept no liability for inclusion and/or use of NXP Semiconductors products in such equipment or applications and therefore such inclusion and/or use is at the customer's own risk.

**Applications** — Applications that are described herein for any of these products are for illustrative purposes only. NXP Semiconductors makes no representation or warranty that such applications will be suitable for the specified use without further testing or modification.

Customers are responsible for the design and operation of their applications and products using NXP Semiconductors products, and NXP Semiconductors accepts no liability for any assistance with applications or customer product design. It is customer's sole responsibility to determine whether the NXP Semiconductors product is suitable and fit for the customer's applications and products planned, as well as for the planned application and use of customer's third party customer(s). Customers should provide appropriate design and operating safeguards to minimize the risks associated with their applications and products.

NXP Semiconductors does not accept any liability related to any default, damage, costs or problem which is based on any weakness or default in the customer's applications or products, or the application or use by customer's third party customer(s). Customer is responsible for doing all necessary testing for the customer's applications and products using NXP Semiconductors products in order to avoid a default of the applications and the products or of the application or use by customer's third party customer(s). NXP does not accept any liability in this respect.

**Limiting values** — Stress above one or more limiting values (as defined in the Absolute Maximum Ratings System of IEC 60134) will cause permanent damage to the device. Limiting values are stress ratings only and (proper) operation of the device at these or any other conditions above those given in the Recommended operating conditions section (if present) or the Characteristics sections of this document is not warranted. Constant or repeated exposure to limiting values will permanently and irreversibly affect the quality and reliability of the device.

**Terms and conditions of commercial sale** — NXP Semiconductors products are sold subject to the general terms and conditions of commercial sale, as published at <http://www.nxp.com/profile/terms>, unless otherwise agreed in a valid written individual agreement. In case an individual agreement is concluded only the terms and conditions of the respective agreement shall apply. NXP Semiconductors hereby expressly objects to applying the customer's general terms and conditions with regard to the purchase of NXP Semiconductors products by customer.

**No offer to sell or license** — Nothing in this document may be interpreted or construed as an offer to sell products that is open for acceptance or the grant, conveyance or implication of any license under any copyrights, patents or other industrial or intellectual property rights.

**Export control** — This document as well as the item(s) described herein may be subject to export control regulations. Export might require a prior authorization from competent authorities.

**Quick reference data** — The Quick reference data is an extract of the product data given in the Limiting values and Characteristics sections of this document, and as such is not complete, exhaustive or legally binding.

**Non-automotive qualified products** — Unless this data sheet expressly states that this specific NXP Semiconductors product is automotive qualified, the product is not suitable for automotive use. It is neither qualified nor tested in accordance with automotive testing or application requirements. NXP Semiconductors accepts no liability for inclusion and/or use of non-automotive qualified products in automotive equipment or applications.

In the event that customer uses the product for design-in and use in automotive applications to automotive specifications and standards, customer (a) shall use the product without NXP Semiconductors' warranty of the

product for such automotive applications, use and specifications, and (b) whenever customer uses the product for automotive applications beyond NXP Semiconductors' specifications such use shall be solely at customer's own risk, and (c) customer fully indemnifies NXP Semiconductors for any liability, damages or failed product claims resulting from customer design and use of the product for automotive applications beyond NXP Semiconductors' standard warranty and NXP Semiconductors' product specifications.

**Translations** — A non-English (translated) version of a document is for reference only. The English version shall prevail in case of any discrepancy between the translated and English versions.

## 16.4 Trademarks

Notice: All referenced brands, product names, service names and trademarks are the property of their respective owners.

## 17. Contact information

For more information, please visit: <http://www.nxp.com>

For sales office addresses, please send an email to: [salesaddresses@nxp.com](mailto:salesaddresses@nxp.com)

## 18. Contents

<b>1</b>	<b>General description</b> . . . . .	<b>1</b>
<b>2</b>	<b>Features and benefits</b> . . . . .	<b>1</b>
<b>3</b>	<b>Applications</b> . . . . .	<b>2</b>
<b>4</b>	<b>Quick reference data</b> . . . . .	<b>2</b>
<b>5</b>	<b>Ordering information</b> . . . . .	<b>2</b>
<b>6</b>	<b>Block diagram</b> . . . . .	<b>3</b>
<b>7</b>	<b>Pinning information</b> . . . . .	<b>4</b>
7.1	Pinning . . . . .	4
7.2	Pin description . . . . .	4
<b>8</b>	<b>Functional description</b> . . . . .	<b>5</b>
8.1	Introduction . . . . .	5
8.2	Converter operation . . . . .	5
8.3	Conversion frequency . . . . .	5
8.4	DRIVER pin . . . . .	5
8.5	Protective features . . . . .	6
8.5.1	UnderVoltage LockOut (UVLO) . . . . .	6
8.5.2	Leading Edge Blanking (LEB) . . . . .	7
8.5.3	OverCurrent Protection (OCP) . . . . .	7
8.5.4	OverTemperature Protection (OTP) . . . . .	7
8.5.5	Mains UnderVoltage Protection (UVP) . . . . .	7
8.5.6	Mains OverPower Compensation (OPC) . . . . .	7
8.5.7	Protection input (PROTECT PIN) . . . . .	8
8.6	VCC supply . . . . .	8
8.7	Supply management . . . . .	9
8.8	Soft-start function . . . . .	9
8.9	Input voltage detection (VINSENSE pin) . . . . .	9
8.10	Duty cycle control (CTRL pin) . . . . .	10
8.11	Current mode control (SOURCE pin) . . . . .	10
<b>9</b>	<b>Limiting values</b> . . . . .	<b>11</b>
<b>10</b>	<b>Thermal characteristics</b> . . . . .	<b>12</b>
<b>11</b>	<b>Characteristics</b> . . . . .	<b>12</b>
<b>12</b>	<b>Application information</b> . . . . .	<b>16</b>
<b>13</b>	<b>Package outline</b> . . . . .	<b>17</b>
<b>14</b>	<b>Abbreviations</b> . . . . .	<b>18</b>
<b>15</b>	<b>Revision history</b> . . . . .	<b>19</b>
<b>16</b>	<b>Legal information</b> . . . . .	<b>20</b>
16.1	Data sheet status . . . . .	20
16.2	Definitions . . . . .	20
16.3	Disclaimers . . . . .	20
16.4	Trademarks . . . . .	21
<b>17</b>	<b>Contact information</b> . . . . .	<b>21</b>
<b>18</b>	<b>Contents</b> . . . . .	<b>22</b>

Please be aware that important notices concerning this document and the product(s) described herein, have been included in section 'Legal information'.

© NXP Semiconductors N.V. 2014.

All rights reserved.

For more information, please visit: <http://www.nxp.com>

For sales office addresses, please send an email to: [salesaddresses@nxp.com](mailto:salesaddresses@nxp.com)

Date of release: 26 June 2014

Document identifier: SSL5001T

## Looking for pricing, stock, or lifecycle information?

Click below to explore more details on WIN SOURCE:

- [View SSL5001T/1J on WIN SOURCE](#)
- [NXP / Nexperia Information](#)

## Optimize Your Supply Chain with WIN SOURCE Solutions

- ✓ Global Sourcing Solution
- ✓ Obsolete Management
- ✓ Cost Control Management
- ✓ Shortage Management
- ✓ Alternative Solution
- ✓ Excess Inventory Management