



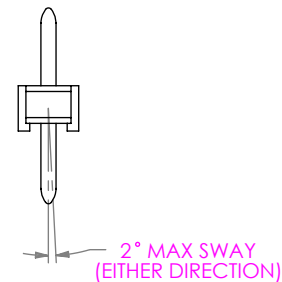
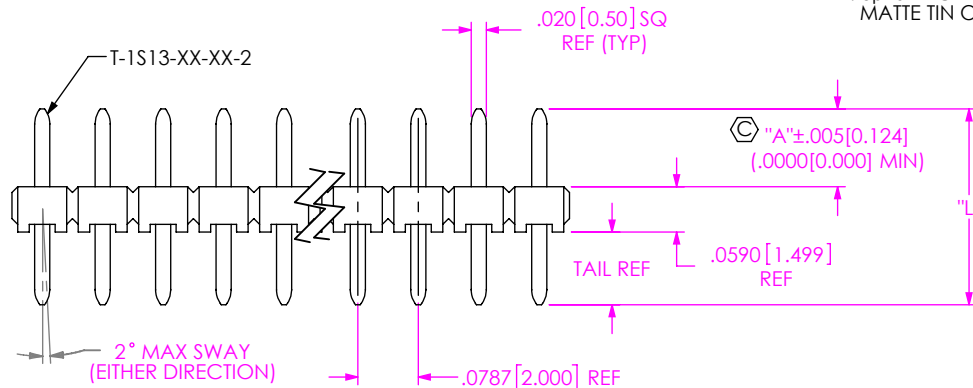
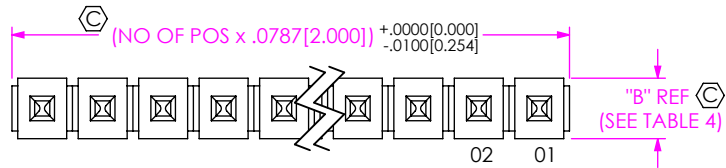
**THE DATASHEET OF
MTMM-113-05-S-D-230**



NOTES:

1. Ⓢ REPRESENTS A CRITICAL DIMENSION.
2. MAXIMUM ALLOWABLE BOW: 0.005 [0.13] IN/IN AFTER ASSEMBLY.
3. MAXIMUM PIN ROTATION IN BODY: 2°
4. MINIMUM PUSHOUT FORCE: 1LB
5. CUT PARTS WITH METAL WASHERS TOWARDS OPERATOR ALLOWING FLASH TO BE ON POST AWAY FROM CRITICAL AREA (METAL WASHERS).
6. INSERT PINS SO THAT BANDOLIERS MARKS ARE LIMITED IN THE POST AREA (SEE TABLE 3).

DO NOT SCALE FROM THIS PRINT



MTMM-1XX-XX-XX-X-XXX-XX-XXX

No OF POSITIONS

-01 THRU -50

TERMINAL SPEC

LEAD STYLE (SEE TABLE 1)

PLATING SPECIFICATION

- G: 20µ" SELECTIVE GOLD IN CONTACT AREA, 3µ" SELECTIVE GOLD ON TAIL.
- T: MATTE TIN ON CONTACT AND TAIL.
- S: 30µ" SELECTIVE GOLD IN CONTACT AREA, MATTE TIN ON TAIL.
- L: 10µ" SELECTIVE GOLD IN CONTACT AREA, MATTE TIN ON TAIL.
- F: 3µ" SELECTIVE GOLD IN CONTACT AREA, MATTE TIN ON TAIL.
- H: 30µ" SELECTIVE GOLD IN CONTACT AREA, 3µ" SELECTIVE GOLD ON TAIL.
- SM: 30µ" SELECTIVE GOLD IN CONTACT AREA, MATTE TIN ON TAIL.
- TM: MATTE TIN ON CONTACT AND TAIL.
- LM: 10µ" SELECTIVE GOLD IN CONTACT AREA, MATTE TIN ON TAIL.
- FM: 3µ" SELECTIVE GOLD IN CONTACT AREA, MATTE TIN ON TAIL.

OPTION

POLARIZATION
SPECIFY POS -XXX TO BE OMITTED

OPTION

**_MW: METAL WASHER
(-D & -Q BODY SPECS ONLY)
(SEE FIG 4, SHT 2)
(30 POS PER ROW MAX)
TAIL MUST BE .090[2.29] - .300[7.62]

POST HEIGHT

XXX = "A" (SEE TABLE 1)

BODY SPECIFICATION

-S: SINGLE (TMM-50-S, SEE FIG 1)
-D: DOUBLE (TMM-50-D, SEE FIG 2, SHT 2)
-Q: QUAD (TMM-50-Q, SEE FIG 3, SHT 2)

** -MW OPTION, DO NOT DESIGN IN. SAMTEC WILL ONLY SUPPORT EXISTING BUSINESS 02/08/2002

FIG 1
-S: SINGLE ROW OPTION
MTMM-1XX-02-XX-S-100 SHOWN

TABLE 1

LEAD STYLE	"A" MAX	PIN LENGTH "L"	TERMINAL
-02	0.196 [4.98]	0.255 [6.48]	T-1S13-04-XX-2
-03	0.243 [6.17]	0.302 [7.67]	T-1S13-07-XX-2
-04	0.264 [6.71]	0.323 [8.20]	T-1S13-20-XX-2
-05	0.318 [8.08]	0.377 [9.58]	T-1S13-02-XX-2
-06	0.338 [8.59]	0.397 [10.08]	T-1S13-05-XX-2
*-07	0.397 [10.08]	0.456 [11.58]	T-1S13-13-XX-2
-08	0.417 [10.59]	0.476 [12.09]	T-1S13-08-XX-2
-09	0.476 [12.09]	0.535 [13.59]	T-1S13-03-XX-2
-10	0.496 [12.60]	0.555 [14.10]	T-1S13-06-XX-2
-11	0.535 [13.59]	0.594 [15.09]	T-1S13-09-XX-2
-12	0.555 [14.10]	0.614 [15.60]	T-1S13-14-XX-2
-13	0.614 [15.60]	0.673 [17.09]	T-1S13-10-XX-2
-14	0.692 [17.58]	0.751 [19.08]	T-1S13-11-XX-2
-15	0.771 [19.58]	0.830 [21.08]	T-1S13-12-XX-2

TABLE 4

ROW	"B"
-S	.0787
-D	.1550
-Q	.3150

"A" MAX = "L"-.059[1.50] (BODY) TAIL CAN BE .000

*FOR MTMM-1XX-07-X-X-275, USE T-1S13-32-XXX-2

UNLESS OTHERWISE SPECIFIED,
DIMENSIONS ARE IN INCHES.

TOLERANCES ARE:

DECIMALS ANGLES
.XX: ±.01 [0.3] 2°
.XXX: ±.005 [0.13]
.XXXX: ±.0020 [0.051]

PROPRIETARY NOTE

THIS DOCUMENT CONTAINS CONFIDENTIAL AND PROPRIETARY INFORMATION AND ALL DESIGN, MANUFACTURING, REPRODUCTION, USE, PATENT RIGHTS AND SALES RIGHTS ARE EXPRESSLY RESERVED BY SAMTEC, INC. THIS DOCUMENT SHALL NOT BE DISCLOSED, IN WHOLE OR PART, TO ANY UNAUTHORIZED PERSON OR ENTITY NOR REPRODUCED, TRANSFERRED OR INCORPORATED IN ANY OTHER PROJECT IN ANY MANNER WITHOUT THE EXPRESS WRITTEN CONSENT OF SAMTEC, INC.

MATERIAL: DO NOT SCALE DRAWING
INSULATOR: LCP, UL 94 VO, COLOR: BLACK
TERMINAL: PHOS BRONZE

SHEET SCALE: 4:1



520 PARK EAST BLVD, NEW ALBANY, IN 47150
PHONE: 812-944-6733 FAX: 812-948-5047
e-Mail: info@SAMTEC.com code 53322

DESCRIPTION:
2MM TERMINAL STRIP ASSEMBLY

DWG. NO.
MTMM-1XX-XX-XX-X-XXX-XX-XXX

BY: REIDINGER 12/01/1993 SHEET 1 OF 2

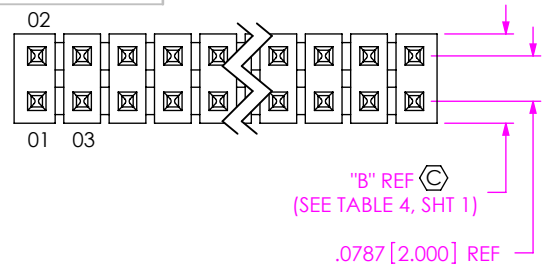


FIG 2
-D: DOUBLE ROW OPTION
MTMM-1XX-02-XX-D-100 SHOWN
(SAME AS FIG 1, DIFFERENT AS SHOWN)

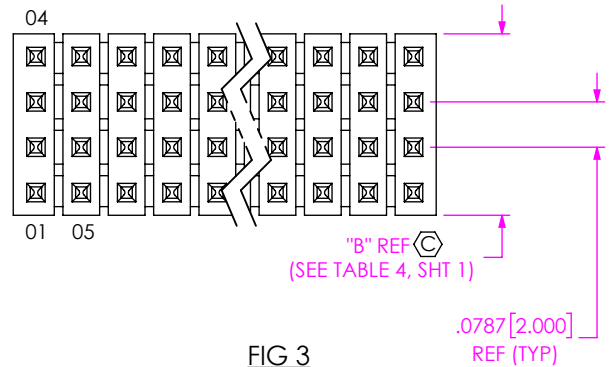


FIG 3
-Q: QUAD ROW OPTION
MTMM-1XX-02-XX-Q-100 SHOWN
(SAME AS FIG 1, DIFFERENT AS SHOWN)

PACKAGING TABLE 2 FOR -MW OPTION ONLY

BODY SPECIFICATION	LEAD STYLE	PKG TUBE	TUBE PLUG
-D	-02, -03, -04, -05, -06	PT-1-24-02-17	TP-09
	-07, -08, -09, -10, -11, -12, -13, -14	PT-1-24-03-75	TP-03
	-15	PT-1-24-02-48	TP-03
-Q	-02, -03, -04, -05, -06	PT-1-24-02-17	TP-09
	07, -08, -09	PT-1-24-01-40	TP-24
	-10, -11	PT-1-24-02-29	TP-24
	-12, -13, -14, -15	PT-1-24-02-51	TP-07

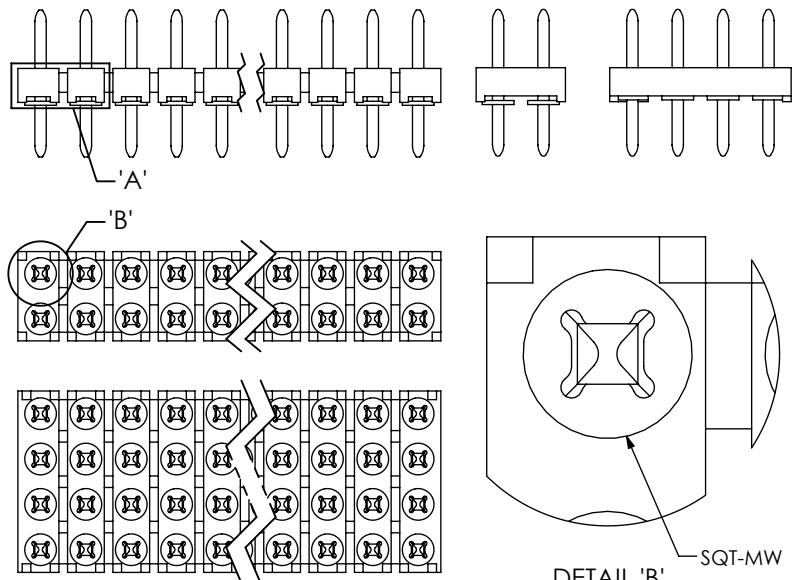


FIG 4
-MW: METAL WASHER OPTION
MTMM-1XX-02-XX-X-100-MW SHOWN
(ONE PER POSITION)
(-D & -Q BODY SPEC ONLY, SEE NOTE 5)
(SAME AS FIG 1, DIFFERENT AS SHOWN)
** -MW OPTION, DO NOT DESIGN IN. SAMTEC WILL ONLY SUPPORT EXISTING BUSINESS 02/08/2002

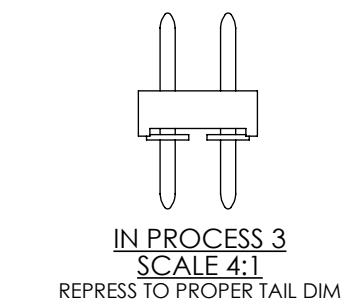
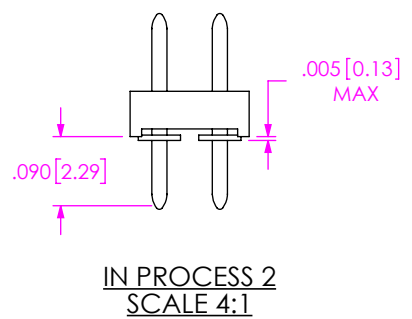
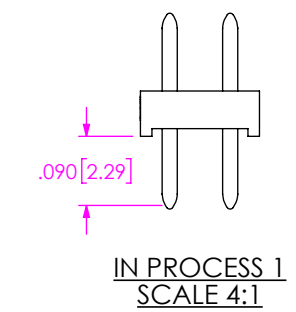
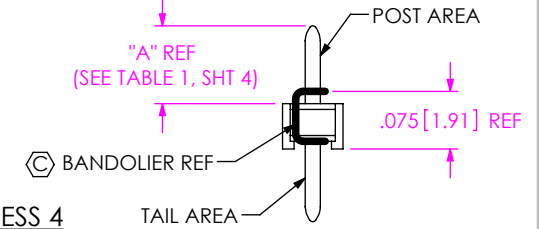


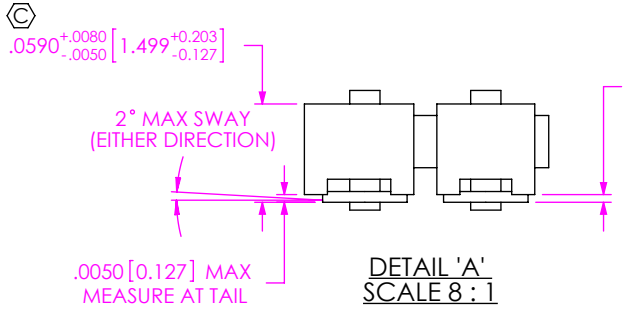
TABLE 3 (-T PLATING ONLY)

LEAD STYLE	MAX NUMBER OF BAND MARKS ALLOWED IN THE POST AREA			
	PIN A	PIN B	PIN C	PIN D
-02	1	1	1	1
-03	2	2	2	2
-04	2	2	2	2
-05	2	2	2	2
-06	2	2	2	2
-07	2	2	2	2
-08	2	2	2	2
-09	2	2	2	2
-10	2	2	2	2
-11	2	2	2	2
-12	2	2	2	2
*-13	2	2	2	2
*-14	2	2	2	2
-15	2	2	2	2

* = PINS TO BE FLIPPED OPPOSITE OF SELECTIVE PLATING BEFORE BEING INSERTED



IN PROCESS 4
(-T PLATING ONLY)
(SEE NOTE 6 & TABLE 3)



IN PROCESS 3
SCALE 4:1
REPRESS TO PROPER TAIL DIM

PROPRIETARY NOTE
THIS DOCUMENT CONTAINS CONFIDENTIAL AND PROPRIETARY INFORMATION AND ALL DESIGN, MANUFACTURING, REPRODUCTION, USE, PATENT RIGHTS AND SALES RIGHTS ARE EXPRESSLY RESERVED BY SAMTEC, INC. THIS DOCUMENT SHALL NOT BE DISCLOSED, IN WHOLE OR IN PART, TO ANY UNAUTHORIZED PERSON OR ENTITY NOR REPRODUCED, TRANSFERRED OR INCORPORATED IN ANY OTHER PROJECT IN ANY MANNER WITHOUT THE EXPRESS WRITTEN CONSENT OF SAMTEC, INC.



DO NOT SCALE DRAWING
SHEET SCALE: 3:1



DESCRIPTION: 2MM TERMINAL STRIP ASSEMBLY
DWG. NO. MTMM-1XX-XX-XX-X-XXX-XX-XXX
BY: REIDINGER 12/01/1993 SHEET 2 OF 2

Looking for pricing, stock, or lifecycle information?

Click below to explore more details on WIN SOURCE:

-  [View MTMM-113-05-S-D-230 on WIN SOURCE](#)
-  [Samtec Inc. Information](#)

Optimize Your Supply Chain with WIN SOURCE Solutions

-  Global Sourcing Solution
-  Obsolete Management
-  Cost Control Management
-  Shortage Management
-  Alternative Solution
-  Excess Inventory Management