



**THE DATASHEET OF  
KSC623JLFG**

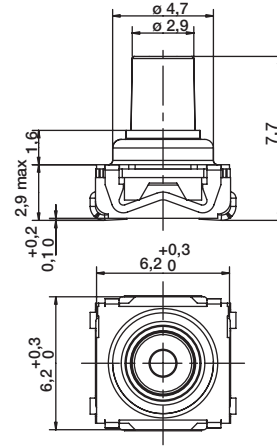


# KSC6 Series Sealed Tact Switch for SMT

## KSC6 hard actuator 7,7 mm high



| Type   | Operating force FA (Newtons) | Operating life (operations) | Travel (mm) |
|--------|------------------------------|-----------------------------|-------------|
| KSC621 | 1.7 ± 0.5                    | 300,000                     | 0.4 ± 0.2   |
| KSC631 | 2.55 ± 0.65                  | 300,000                     | 0.4 ± 0.2   |
| KSC641 | 3.4 ± 0.85                   | 300,000                     | 0.4 ± 0.2   |



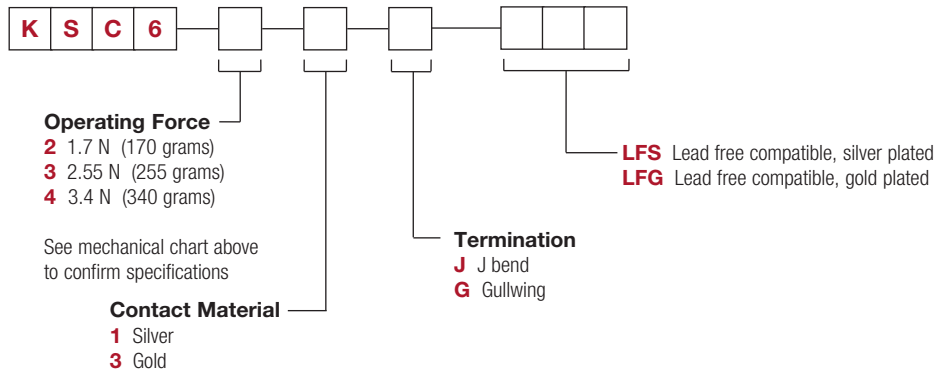
### Packaging

Switches delivered on continuous tape & reels of 950 pieces  
 Dimensions according to EIA RS-481/ IEC 60286-3 standard  
 External diameter 380 ± 2 mm

### How To Order

Our easy build-a-switch concept allows you to mix and match options to create the switch you need. To order, select desired option from each category and place it in the appropriate box.

**However, please note that all the combinations of these options are not feasible.  
 For any part number different from those listed above, please consult your local representative.**



Dimensions are shown: mm  
 Specifications and dimensions subject to change

## Looking for pricing, stock, or lifecycle information?

Click below to explore more details on WIN SOURCE:

- ⊖ [View KSC623JLFG on WIN SOURCE](#)
- ⊖ [C&K Components Information](#)

## Optimize Your Supply Chain with WIN SOURCE Solutions

- ✓ Global Sourcing Solution
- ✓ Obsolete Management
- ✓ Cost Control Management
- ✓ Shortage Management
- ✓ Alternative Solution
- ✓ Excess Inventory Management