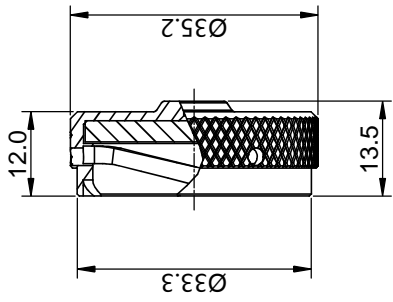




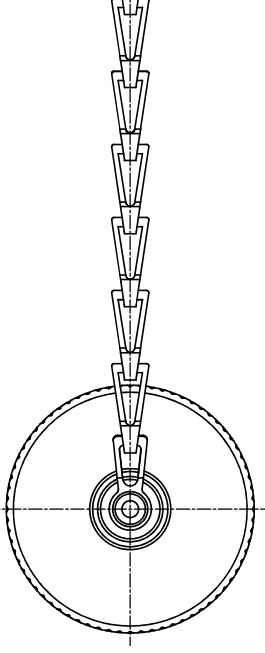
THE DATASHEET OF RT018DCG



REV	ECO	REL
B1	-	



100 Ref



NOTES : (UNLESS OTHERWISE SPECIFIED)

1. MATERIAL :
 RIVET : COPPER ALLOY, NICKEL PLATING
 CHAIN : STAINLESS STEEL
 DUST CAP : AL ALLOY , NICKEL PLATED.
 O-RING : NBR.
2. SPECIFICATIONS :
 2.1 OPERATING TEMPERATURE : -40°C ~ +105°C.
 2.2 IP--CLASS : IP67.
 2.3 MATING CYCLES DURABILITY : 500 CYCLES MIN.
 2.4 ROHS COMPLIANT.
3. ALL DIMENSIONS ARE FOR REFERENCE USE ONLY.



RT018DC X X
 ① ②

P/N	①	②
RT018DC	---	---
RT018DCA	---	A
RT018DCG	G	---
RT018DCGA	G	A

QUANTITY	SEE PART NUMBER CHART	PART NUMBER	MATERIAL
UNLESS OTHERWISE SPECIFIED			
1) All dimensions are in metric (mm).			
2) Tolerances are as follows:			
DATE:	BY:	UNZ:	DA:
3 PL DEC 40'15	Arghis AT		
3 PL DEC 40'08	ENGINEER:		
3) Note reference = Δ			
MATERIAL SPECIFICATIONS:			
APPROVAL:			
CUSTOMER:			
THIS DRAWING IS SUPPLIED FOR INFORMATION ONLY. IT IS NOT TO BE USED FOR SPECIFICATIONS AND PERFORMANCE. THE PROPERTIES SHOWN HEREON ARE THE PROPERTY OF THE COMPANY AND ARE NOT TO BE REPRODUCED OR COPIED FOR ANY PURPOSES WITHOUT THE WRITTEN PERMISSION OF THE COMPANY. MANUFACTURING VARIATIONS.			
PROCESS SPECIFICATIONS:			
NEXT ASSY:			

Looking for pricing, stock, or lifecycle information?

Click below to explore more details on WIN SOURCE:

-  [View RT018DCG on WIN SOURCE](#)
-  [Amphenol Sine Systems Corp Information](#)

Optimize Your Supply Chain with WIN SOURCE Solutions

-  Global Sourcing Solution
-  Obsolete Management
-  Cost Control Management
-  Shortage Management
-  Alternative Solution
-  Excess Inventory Management