



**THE DATASHEET OF  
RR3402C**





# SERIES RR 3402 SWITCHES

## ROCKER SWITCHES



### SPECIFICATIONS

Contact Rating: 6A @ 125VAC  
3A @ 250VAC

Life Expectancy (Mechanical): 20,000 cycles

Life Expectancy (Electrical): 6,000 cycles

Contact Resistance: 50 mΩ Max. (Initial)

Insulation Resistance: 100M Ω @ 500V DC

Dielectric Strength: 1,500VAC (1 minute)

Operating Temp: 0°C to 65°C

### MATERIALS

Material: UL94-V2

Termination: Solder lug, silver-plated

### FEATURES & BENEFITS

- ▶ Ergonomic feel
- ▶ Visually appealing
- ▶ Multiple options

### APPLICATIONS/MARKETS

- ▶ Industrial
- ▶ Audio/visual
- ▶ Lighting ballast

### HOW TO ORDER

SERIES	MODEL NO.	CIRCUIT	HOUSING COLOR	ACTUATOR COLOR	MARKING	TERMINATION
RR	3402	See Below	BLK = Black	BLK = Black	N = None	S = Solder Lug

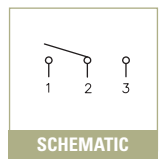
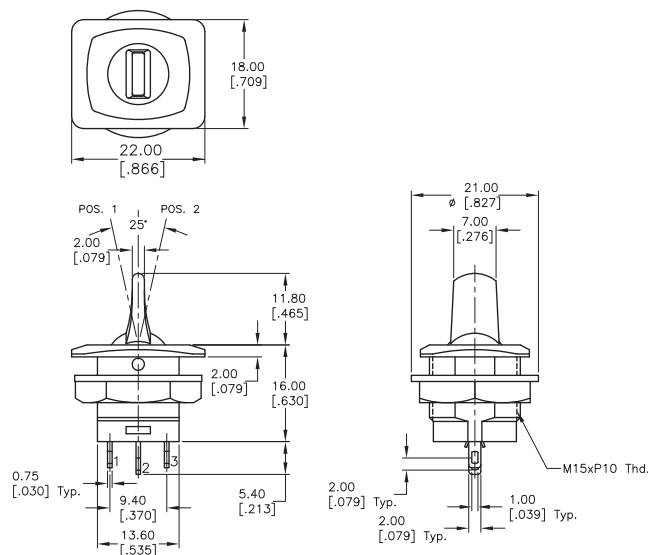
### CIRCUIT CODE:

- A = SPST On-None-Off
- C = SPDT On-None-On
- D = SPDT On-Off-On

Example Ordering Number  
RR-3402-A-BLK-BLK-N-S



Specifications subject to change without notice.

## RR 3402



## Looking for pricing, stock, or lifecycle information?

Click below to explore more details on WIN SOURCE:

-  [View RR3402C on WIN SOURCE](#)
-  [E-Switch Information](#)

## Optimize Your Supply Chain with WIN SOURCE Solutions

-  Global Sourcing Solution
-  Obsolete Management
-  Cost Control Management
-  Shortage Management
-  Alternative Solution
-  Excess Inventory Management