





**PI74FCT16245T  
PI74FCT162245T  
PI74FCT162H245T**

**Fast CMOS 16-Bit  
Bidirectional Transceivers**

**Product Features**

**Common Features**

- PI74FCT16245T, PI74FCT162245T and PI74FCT162H245 are high-speed, low-power devices with high-current drive
- $V_{CC} = 5V \pm 10\%$
- Hysteresis on all inputs
- Packages available:
  - 48-pin 240 mil wide plastic TSSOP (A48)
  - 48-pin 173 mil wide plastic TVSOP (JEDEC TSSOP K48)
  - 48-pin 300 mil wide plastic SSOP (V48)

**PI74FCT16245T Features**

- High output drive:  $I_{OH} = -32mA$ ;  $I_{OL} = 64mA$
- Power off disable outputs permit “live insertion”
- Typical  $V_{OLP}$  (Output Ground Bounce)  $< 1.0V$  at  $V_{CC} = 5V$ ,  $T_A = 25^\circ C$

**PI74FCT162245T Features**

- Balanced output drivers:  $\pm 24mA$
- Reduced system switching noise
- Typical  $V_{OLP}$  (Output Ground Bounce)  $< 0.6V$  at  $V_{CC} = 5V$ ,  $T_A = 25^\circ C$

**PI74FCT162H245T Features**

- Bus Hold retains last active bus state during Three-State
- Eliminates the need for external pull-up resistors

**Product Description**

Pericom Semiconductor’s PI74FCT series of logic circuits are produced using the Company’s advanced 0.6 micron CMOS technology, achieving industry leading speed grades.

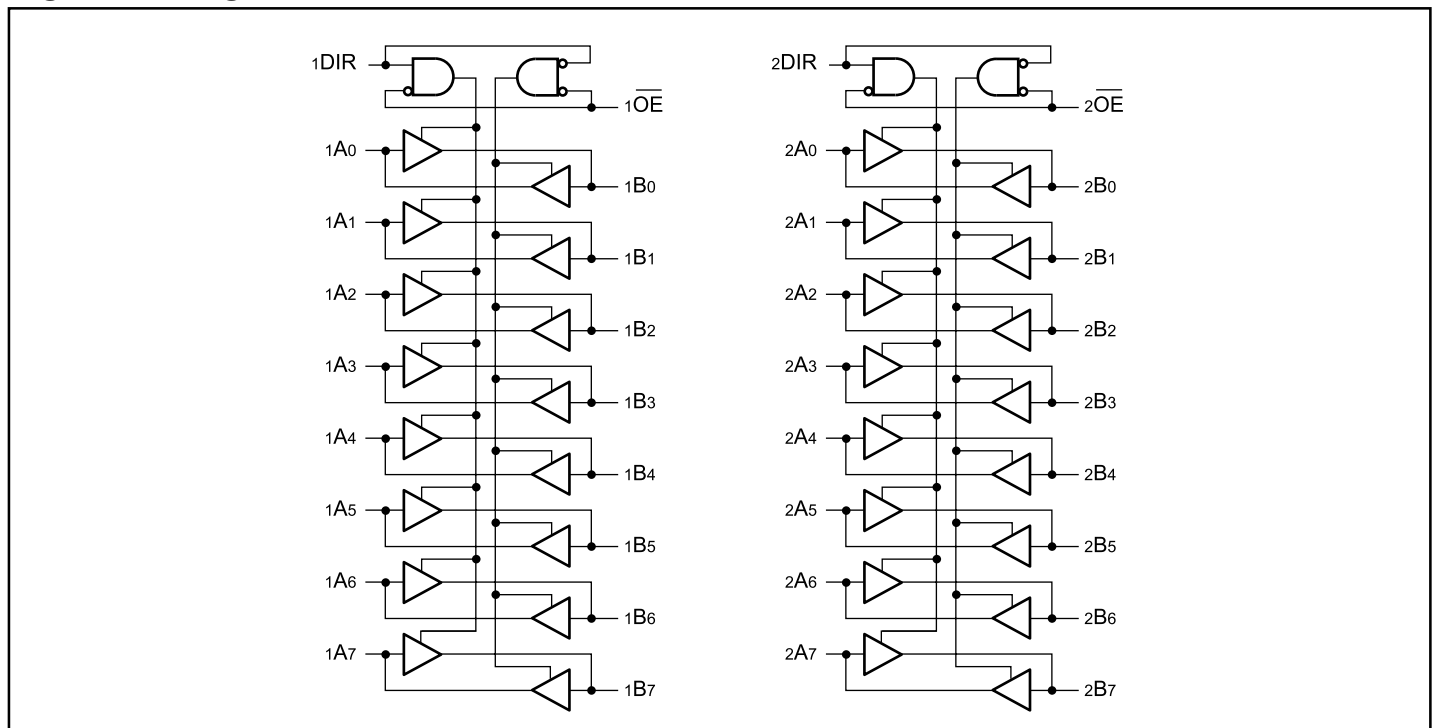
The PI74FCT16245T, PI74FCT162245T, and PI74FCT162H245T are 16-bit bidirectional transceivers designed for asynchronous two-way communication between data buses. The direction control input pin (xDIR) determines the direction of data flow through the bidirectional transceiver. The Direction and Output Enable controls are designed to operate these devices as either two independent 8-bit transceivers or one 16-bit transceiver. The output enable (OE) input, when HIGH, disables both A and B ports by placing them in HIGH Z condition.

The PI74FCT16245T output buffers are designed with a Power-Off disable allowing “live insertion” of boards when used as backplane drivers.

The PI74FCT162245T has  $\pm 24mA$  balanced output drivers. It is designed with current limiting resistors at its outputs to control the output edge rate resulting in lower ground bounce and undershoot. This eliminates the need for external terminating resistors for most interface applications.

The PI74FCT162H245T has “Bus Hold” which retains the input’s last state whenever the input goes to high-impedance preventing “floating” inputs and eliminating the need for pull-up/down resistors.

**Logic Block Diagram**



### Product Pin Description

| Pin Name         | Description                                     |
|------------------|---|
| $\overline{xOE}$ | 3-State Enable Inputs (Active LOW)              |
| xDIR             | Direction Control Input                         |
| xAx              | Side A Inputs or 3-State Outputs <sup>(1)</sup> |
| xBx              | Side B Inputs or 3-State Outputs <sup>(1)</sup> |
| GND              | Ground  |
| VCC              | Power   |

**Note:**

- For the PI74FCT162H245T, these pins have "Bus Hold."  
 All other pins are standard, outputs, or I/Os.

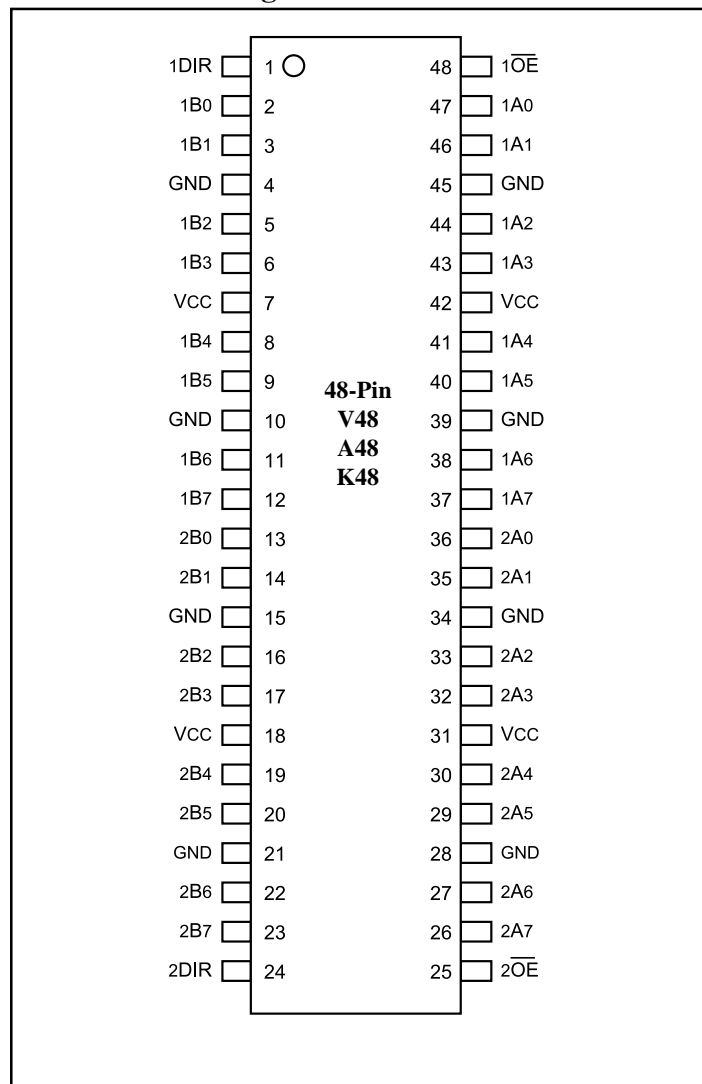
### Truth Table

| Inputs <sup>(1)</sup> |      | Outputs <sup>(1)</sup> |
|-----------------------|------|------------------------|
| $\overline{xOE}$      | xDIR |                        |
| L                     | L    | Bus B Data to Bus A    |
| L                     | H    | Bus A Data to Bus B    |
| H                     | X    | High Z State           |

**Note:**

- H = High Voltage Level, X = Don't Care,  
 L = Low Voltage Level, Z = High Impedance

### Product Pin Configuration



### Maximum Ratings

(Above which the useful life may be impaired. For user guidelines, not tested.)

|   |                 |
|---|-----------------|
| Storage Temperature .....   | -65°C to +150°C |
| Ambient Temperature with Power Applied .....                          | -40°C to +85°C  |
| Supply Voltage to Ground Potential (Inputs & V <sub>CC</sub> Only) .. | -0.5V to +7.0V  |
| Supply Voltage to Ground Potential (Outputs & D/O Only)               | -0.5V to +7.0V  |
| DC Input Voltage .....  | -0.5V to +7.0V  |
| DC Output Current .....   | 120mA           |
| Power Dissipation .....   | 1.0W            |

**Note:**

Stresses greater than those listed under MAXIMUM RATINGS may cause permanent damage to the device. This is a stress rating only and functional operation of the device at these or any other conditions above those indicated in the operational sections of this specification is not implied. Exposure to absolute maximum rating conditions for extended periods may affect reliability.

### DC Electrical Characteristics (Over the Operating Range, T<sub>A</sub> = -40°C to +85°C, V<sub>CC</sub> = 5.0V ±10%)

| Parameters                      | Description           | Test Conditions <sup>(1)</sup>                                  |                                   | Min. | Typ. <sup>(2)</sup> | Max. | Units |
|---------------------------------|-----------------------|---|-----------------------------------|------|---------------------|------|-------|
| V <sub>IH</sub>                 | Input HIGH Voltage    | Guaranteed Logic HIGH Level                                     |                                   | 2.0  |                     |      | V     |
| V <sub>IL</sub>                 | Input LOW Voltage     | Guaranteed Logic LOW Level                                      |                                   |      |                     | 0.8  | V     |
| I <sub>IH</sub>                 | Input HIGH Current    | Standard Input, V <sub>CC</sub> = Max.                          | V <sub>IN</sub> = V <sub>CC</sub> |      |                     | 1    | μA    |
| I <sub>IH</sub>                 | Input HIGH Current    | Standard I/O, V <sub>CC</sub> = Max.                            | V <sub>IN</sub> = V <sub>CC</sub> |      |                     | 1    | μA    |
| I <sub>IH</sub>                 | Input HIGH Current    | Bus Hold Input <sup>(4)</sup> , V <sub>CC</sub> = Max.          | V <sub>IN</sub> = V <sub>CC</sub> |      |                     | ±100 | μA    |
| I <sub>IH</sub>                 | Input HIGH Current    | Bus Hold I/O <sup>(4)</sup> , V <sub>CC</sub> = Max.            | V <sub>IN</sub> = V <sub>CC</sub> |      |                     | ±100 | μA    |
| I <sub>IL</sub>                 | Input LOW Current     | Standard Input, V <sub>CC</sub> = Min.                          | V <sub>IN</sub> = GND             |      |                     | -1   | μA    |
| I <sub>IL</sub>                 | Input LOW Current     | Standard I/O, V <sub>CC</sub> = Min.                            | V <sub>IN</sub> = GND             |      |                     | -1   | μA    |
| I <sub>IL</sub>                 | Input LOW Current     | Bus Hold Input <sup>(4)</sup> , V <sub>CC</sub> = Min.          | V <sub>IN</sub> = GND             |      |                     | ±100 | μA    |
| I <sub>IL</sub>                 | Input LOW Current     | Bus Hold I/O <sup>(4)</sup> , V <sub>CC</sub> = Min.            | V <sub>IN</sub> = GND             |      |                     | ±100 | μA    |
| I <sub>BHH</sub>                | Bus Hold              | Bus Hold Input <sup>(4)</sup> , V <sub>CC</sub> = Min.          | V <sub>IN</sub> = 2.0V            | -50  |                     |      | μA    |
| I <sub>BHL</sub>                | Sustain Current       |   | V <sub>IN</sub> = 0.8V            | +50  |                     |      |       |
| I <sub>OZH</sub> <sup>(5)</sup> | High Impedance        | V <sub>CC</sub> = Max.  | V <sub>OUT</sub> = 2.7V           |      |                     | 1    | μA    |
| I <sub>OZL</sub> <sup>(5)</sup> | Output Current        | V <sub>CC</sub> = Max.  | V <sub>OUT</sub> = 0.5V           |      |                     | -1   | μA    |
| V <sub>IK</sub>                 | Clamp Diode Voltage   | V <sub>CC</sub> = Min., I <sub>IN</sub> = -18mA                 |                                   |      | -0.7                | -1.2 | V     |
| I <sub>OS</sub>                 | Short Circuit Current | V <sub>CC</sub> = Max. <sup>(3)</sup> , V <sub>OUT</sub> = GND  |                                   | -80  | -140                | -200 | mA    |
| I <sub>O</sub>                  | Output Drive Current  | V <sub>CC</sub> = Max. <sup>(3)</sup> , V <sub>OUT</sub> = 2.5V |                                   | -50  |                     | -180 | mA    |
| V <sub>H</sub>                  | Input Hysteresis      |   |                                   |      | 100                 |      | mV    |

**Notes:**

1. For Max. or Min. conditions, use appropriate value specified under Electrical Characteristics for the applicable device type.
2. Typical values are at V<sub>CC</sub> = 5.0V, +25°C ambient and maximum loading.
3. Not more than one output should be shorted at one time. Duration of the test should not exceed one second.
4. Pins with Bus Hold are identified in the pin description.
5. This specification does not apply to bi-directional functionalities with Bus Hold.

**PI74FCT16245T Output Drive Characteristics** (Over the Operating Range)

| Parameters | Description         | Test Conditions <sup>(1)</sup> |               | Min. | Typ. <sup>(2)</sup> | Max. | Units |
|------------|---------------------|--------------------------------|---------------|------|---------------------|------|-------|
| VOH        | Output HIGH Voltage | VCC = Min., VIN = VIH or VIL   | IOH = -3.0mA  | 2.5  | 3.5                 |      | V     |
|            |                     |                                | IOH = -15.0mA | 2.4  | 3.5                 |      |       |
|            |                     |                                | IOH = -32.0mA | 2.0  | 3.0                 |      |       |
| VOL        | Output LOW Voltage  | VCC = Min., VIN = VIH or VIL   | IOL = 64mA    |      | 0.2                 | 0.55 | V     |
| IOFF       | Power Down Disable  | VCC = 0V, VIN or VOUT ≤ 4.5V   |               | —    | —                   | ±100 | μA    |

**PI74FCT162245T/162H245T Output Drive Characteristics** (Over the Operating Range)

| Parameters | Description         | Test Conditions <sup>(1)</sup>                         |               | Min. | Typ. <sup>(2)</sup> | Max. | Units |
|------------|---------------------|--|---------------|------|---------------------|------|-------|
| VOH        | Output HIGH Voltage | VCC = Min., VIN = VIH or VIL                           | IOH = -24.0mA | 2.4  | 3.3                 |      | V     |
| VOL        | Output LOW Voltage  | VCC = Min., VIN = VIH or VIL                           | IOL = 24mA    |      | 0.3                 | 0.55 | V     |
| IODL       | Output LOW Current  | VCC = 5V, VIN = VIH OR VIL, VOUT = 1.5V <sup>(3)</sup> |               | 60   | 115                 | 150  | mA    |
| IODH       | Output HIGH Current | VCC = 5V, VIN = VIH OR VIL, VOUT = 1.5V <sup>(3)</sup> |               | -60  | -115                | -150 | mA    |

**Capacitance** (TA = 25°C, f = 1 MHz)

| Parameters <sup>(4)</sup> | Description        | Test Conditions | Typ. | Max. | Units |
|---------------------------|--------------------|-----------------|------|------|-------|
| CIN                       | Input Capacitance  | VIN = 0V        | 4.5  | 6    | pF    |
| COUT                      | Output Capacitance | VOUT = 0V       | 5.5  | 8    | pF    |

**Notes:**

1. For Max. or Min. conditions, use appropriate value specified under Electrical Characteristics for the applicable device type.
2. Typical values are at Vcc = 5.0V, +25°C ambient and maximum loading.
3. Not more than one output should be shorted at one time. Duration of the test should not exceed one second.
4. This parameter is determined by device characterization but is not production tested.

### Power Supply Characteristics

| Parameters       | Description                                     | Test Conditions <sup>(1)</sup>  |  | Min. | Typ. <sup>(2)</sup> | Max.                | Units      |
|------------------|---|---|--|------|---------------------|---------------------|------------|
| I <sub>CC</sub>  | Quiescent Power Supply Current                  | V <sub>CC</sub> = Max.  | V <sub>IN</sub> = GND or V <sub>CC</sub>                   |      | 0.1                 | 500                 | μA         |
| ΔI <sub>CC</sub> | Supply Current per Input @ TTL HIGH             | V <sub>CC</sub> = Max.  | V <sub>IN</sub> = 3.4V <sup>(3)</sup>                      |      | 0.5                 | 1.5                 | mA         |
| I <sub>CCD</sub> | Supply Current per Input per MHz <sup>(4)</sup> | V <sub>CC</sub> = Max.,<br>Outputs Open<br>x $\overline{OE}$ = xDIR = GND<br>One Bit Toggling<br>50% Duty Cycle                             | V <sub>IN</sub> = V <sub>CC</sub><br>V <sub>IN</sub> = GND |      | 60                  | 100                 | μA/<br>MHz |
| I <sub>C</sub>   | Total Power Supply Current <sup>(6)</sup>       | V <sub>CC</sub> = Max.,<br>Outputs Open<br>f <sub>i</sub> = 10 MHz<br>50% Duty Cycle<br>x $\overline{OE}$ = xDIR = GND<br>One Bit Toggling  | V <sub>IN</sub> = V <sub>CC</sub><br>V <sub>IN</sub> = GND |      | 0.7                 | 2.5 <sup>(5)</sup>  | mA         |
|                  |   |   | V <sub>IN</sub> = 3.4V<br>V <sub>IN</sub> = GND            |      | 0.9                 | 3.3 <sup>(5)</sup>  |            |
|                  |   | V <sub>CC</sub> = Max.,<br>Outputs Open<br>f <sub>i</sub> = 2.5 MHz<br>50% Duty Cycle<br>x $\overline{OE}$ = xDIR = GND<br>16 Bits Toggling | V <sub>IN</sub> = V <sub>CC</sub><br>V <sub>IN</sub> = GND |      | 2.5                 | 5.5 <sup>(5)</sup>  |            |
|                  |   |   | V <sub>IN</sub> = 3.4V<br>V <sub>IN</sub> = GND            |      | 6.5                 | 17.5 <sup>(5)</sup> |            |

#### Notes:

- For Max. or Min. conditions, use appropriate value specified under Electrical Characteristics for the applicable device.
- Typical values are at V<sub>CC</sub> = 5.0V, +25°C ambient.
- Per TTL driven input (V<sub>IN</sub> = 3.4V); all other inputs at V<sub>CC</sub> or GND.
- This parameter is not directly testable, but is derived for use in Total Power Supply Calculations.
- Values for these conditions are examples of the I<sub>CC</sub> formula. These limits are guaranteed but not tested.

$$I_C = I_{\text{QUIESCENT}} + I_{\text{INPUTS}} + I_{\text{DYNAMIC}}$$

$$I_C = I_{CC} + \Delta I_{CC} \text{DHNT} + I_{CCD} (f_{CP}/2 + f_i N_i)$$

I<sub>CC</sub> = Quiescent Current

ΔI<sub>CC</sub> = Power Supply Current for a TTL High Input (V<sub>IN</sub> = 3.4V)

DH = Duty Cycle for TTL Inputs High

NT = Number of TTL Inputs at DH

I<sub>CCD</sub> = Dynamic Current Caused by an Input Transition Pair (HLH or LHL)

f<sub>CP</sub> = Clock Frequency for Register Devices (Zero for Non-Register Devices)

f<sub>i</sub> = Input Frequency

N<sub>i</sub> = Number of Inputs at f<sub>i</sub>

All currents are in milliamps and all frequencies are in megahertz.

**PI74FCT16245T Switching Characteristics over Operating Range**

| Parameters   | Description  | Conditions <sup>(1)</sup> | 16245T |      | 16245AT |      | 16245CT |      | 16245DT |      | 16245ET |      | Units |
|--------------|--|---------------------------|--------|------|---------|------|---------|------|---------|------|---------|------|-------|
|              |  |                           | Com.   |      | Com.    |      | Com.    |      | Com.    |      | Com.    |      |       |
|              |  |                           | Min.   | Max. | Min.    | Max. | Min.    | Max. | Min.    | Max. | Min.    | Max. |       |
| tPLH<br>tPHL | Propagation Delay <sup>(2)</sup><br>A TO B, B TO A   | CL = 50pF<br>RL = 500Ω    | 1.5    | 7.0  | 1.5     | 4.6  | 1.5     | 4.1  | 1.5     | 3.8  | 1.5     | 3.2  | ns    |
| tpZH<br>tpZL | Output Enable Time<br>xOE to A OR B                  |                           | 1.5    | 9.5  | 1.5     | 6.2  | 1.5     | 5.8  | 1.5     | 5.0  | 1.5     | 4.4  | ns    |
| tpHZ<br>tPLZ | Output Disable Time <sup>(3)</sup><br>xOE to A OR B  |                           | 1.5    | 7.5  | 1.5     | 5.0  | 1.5     | 4.8  | 1.5     | 4.3  | 1.5     | 4.0  | ns    |
| tpZH<br>tpZL | Output Enable Time<br>xDIR to A OR B <sup>(3)</sup>  |                           | 1.5    | 9.5  | 1.5     | 6.2  | 1.5     | 5.8  | 1.5     | 5.0  | 1.5     | 4.8  | ns    |
| tpHZ<br>tPLZ | Output Disable Time<br>xDIR to A OR B <sup>(3)</sup> |                           | 1.5    | 7.5  | 1.5     | 5.0  | 1.5     | 4.8  | 1.5     | 4.3  | 1.5     | 4.0  | ns    |
| tsk(o)       | Output Skew <sup>(4)</sup>                           |                           | —      | 0.5  | —       | 0.5  | —       | 0.5  | —       | 0.5  | —       | 0.5  | ns    |

**PI74FCT162245T Switching Characteristics over Operating Range**

| Parameters   | Description  | Conditions <sup>(1)</sup> | 162245T |      | 162245AT |      | 162245CT |      | 162245DT |      | 162245ET |      | Units |
|--------------|--|---------------------------|---------|------|----------|------|----------|------|----------|------|----------|------|-------|
|              |  |                           | Com.    |      | Com.     |      | Com.     |      | Com.     |      | Com.     |      |       |
|              |  |                           | Min.    | Max. | Min.     | Max. | Min.     | Max. | Min.     | Max. | Min.     | Max. |       |
| tPLH<br>tPHL | Propagation Delay <sup>(2)</sup><br>A TO B, B TO A   | CL = 50pF<br>RL = 500Ω    | 1.5     | 7.0  | 1.5      | 4.6  | 1.5      | 4.1  | 1.5      | 3.8  | 1.5      | 3.2  | ns    |
| tpZH<br>tpZL | Output Enable Time<br>xOE to A OR B                  |                           | 1.5     | 9.5  | 1.5      | 6.2  | 1.5      | 5.8  | 1.5      | 5.0  | 1.5      | 4.4  | ns    |
| tpHZ<br>tPLZ | Output Disable Time <sup>(3)</sup><br>xOE to A OR B  |                           | 1.5     | 7.5  | 1.5      | 5.0  | 1.5      | 4.8  | 1.5      | 4.3  | 1.5      | 4.0  | ns    |
| tpZH<br>tpZL | Output Enable Time<br>xDIR to A OR B <sup>(3)</sup>  |                           | 1.5     | 9.5  | 1.5      | 6.2  | 1.5      | 5.8  | 1.5      | 5.0  | 1.5      | 4.8  | ns    |
| tpHZ<br>tPLZ | Output Disable Time<br>xDIR to A OR B <sup>(3)</sup> |                           | 1.5     | 7.5  | 1.5      | 5.0  | 1.5      | 4.8  | 1.5      | 4.3  | 1.5      | 4.0  | ns    |
| tsk(o)       | Output Skew <sup>(4)</sup>                           |                           | —       | 0.5  | —        | 0.5  | —        | 0.5  | —        | 0.5  | —        | 0.5  | ns    |

**PI74FCT162H245T Switching Characteristics over Operating Range**



| Parameters   | Description  | Conditions <sup>(1)</sup> | 162245T |      | 162245AT |      | 162245CT |      | 162245DT |      | 162245ET |      | Units |
|--------------|--|---------------------------|---------|------|----------|------|----------|------|----------|------|----------|------|-------|
|              |  |                           | Com.    |      | Com.     |      | Com.     |      | Com.     |      | Com.     |      |       |
|              |  |                           | Min.    | Max. | Min.     | Max. | Min.     | Max. | Min.     | Max. | Min.     | Max. |       |
| tPLH<br>tPHL | Propagation Delay <sup>(2)</sup><br>A TO B, B TO A   | CL = 50pF<br>RL = 500Ω    | 1.5     | 7.0  | 1.5      | 4.6  | 1.5      | 4.1  | 1.5      | 3.8  | 1.5      | 3.2  | ns    |
| tpZH<br>tpZL | Output Enable Time<br>xOE to A OR B                  |                           | 1.5     | 9.5  | 1.5      | 6.2  | 1.5      | 5.8  | 1.5      | 5.0  | 1.5      | 4.4  | ns    |
| tpHZ<br>tPLZ | Output Disable Time <sup>(3)</sup><br>xOE to A OR B  |                           | 1.5     | 7.5  | 1.5      | 5.0  | 1.5      | 4.8  | 1.5      | 4.3  | 1.5      | 4.0  | ns    |
| tpZH<br>tpZL | Output Enable Time<br>xDIR to A OR B <sup>(3)</sup>  |                           | 1.5     | 9.5  | 1.5      | 6.2  | 1.5      | 5.8  | 1.5      | 5.0  | 1.5      | 4.8  | ns    |
| tpHZ<br>tPLZ | Output Disable Time<br>xDIR to A OR B <sup>(3)</sup> |                           | 1.5     | 7.5  | 1.5      | 5.0  | 1.5      | 4.8  | 1.5      | 4.3  | 1.5      | 4.0  | ns    |
| tsk(o)       | Output Skew <sup>(4)</sup>                           |                           | —       | 0.5  | —        | 0.5  | —        | 0.5  | —        | 0.5  | —        | 0.5  | ns    |

**Notes:**

1. See test circuit and waveforms.
2. Minimum limits are guaranteed but not tested on Propagation Delays.
3. This parameter is guaranteed but not production tested.
4. Skew between any two outputs, of the same package, switching in the same direction.  
This parameter is guaranteed by design.

## Looking for pricing, stock, or lifecycle information?

Click below to explore more details on WIN SOURCE:

-  [View PI74FCT16245ATV on WIN SOURCE](#)
-  [Diodes Incorporated Information](#)

## Optimize Your Supply Chain with WIN SOURCE Solutions

-  Global Sourcing Solution
-  Obsolete Management
-  Cost Control Management
-  Shortage Management
-  Alternative Solution
-  Excess Inventory Management