



**THE DATASHEET OF
PH9185.011NLT**



High Isolation Power Transformers

EP7 Platform SMD - PH9185.XXXNL and PM2190.XXXNL



- Ⓢ Push Pull Transformer
- Ⓢ Reinforced insulation for isolated power supply driver
- Ⓢ 8mm creepage and clearance
- Ⓢ 5KVrms isolation (Up to 1000Vpk rated voltage)*
- Ⓢ UL and TUV certified

Electrical Specifications @ 25°C - Operating Temperature -40°C to +125°C

Part Number		Inductance (1-3)	Leakage Inductance	DCR (1-3)	DCR (4-6)	ET MAX (1-3) ¹	CAP	Turns Ratio	Isolated Voltage ⁴
Commercial	Automotive ⁸	(μH ±45%)	(μH MAX)	(Ω MAX)	(Ω MAX)	(V-μsec MAX)	(pF MAX)	(1:3) (6:4)	(Vrms)
PH9185.011NL	PM2190.011NL	750	1.2	0.50	0.55	66	10.0	1CT : 1CT	5000
PH9185.012NL	PM2190.012NL	450	0.9	0.40	0.80	52	10.0	1CT : 2CT	
PH9185.013NL	PM2190.013NL	200	0.6	0.35	0.95	36	8.0	1CT : 3CT	
PH9185.021NL	PM2190.021NL	1800	3.0	0.75	0.45	100	10.0	2CT : 1CT	
PH9185.034NL	PM2190.034NL	750	1.2	0.50	0.75	66	10.0	3CT : 4CT	
PH9185.038NL	PM2190.038NL	310	0.9	0.44	1.00	44	8.0	3CT : 8CT	
PH9185.043NL	PM2190.043NL	1260	1.5	0.70	0.56	89	12.0	4CT : 3CT	
PH9185.083NL	PM2190.083NL	2350	6.0	0.90	0.40	110	8.0	8CT : 3CT	

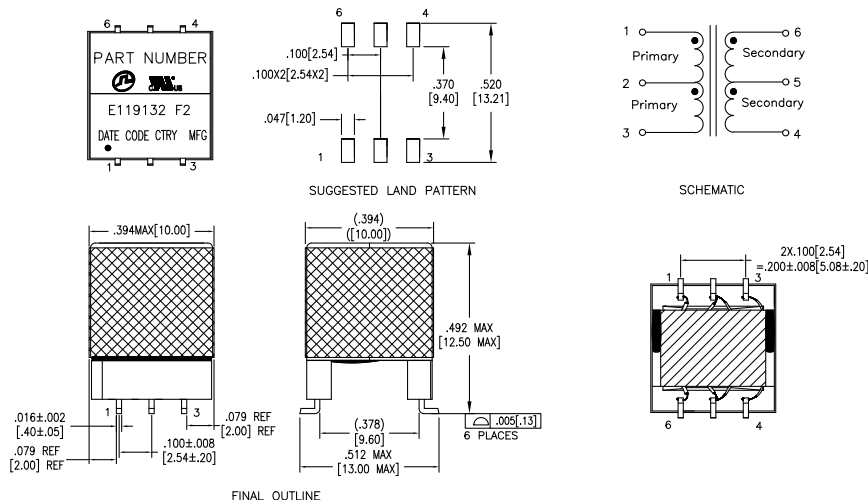
Notes:

- The ET Max is calculated to limit the core loss and temperature rise at 100KHz based on a bipolar flux swing of 180mT Peak.
- For Push-Pull topology, where the voltage is applied across half the primary winding turns, the ET needs to be derated by 50% for the same flux swing.
- The applied ET may need to be further derated for higher frequencies based on the temperature rise which results from the core and copper losses
 - To calculate total copper loss (W), use the following formula:
 $Copper\ Loss\ (W) = I_{rms_Primary}^2 * DCR_Primary + I_{rms_Secondary}^2 * DCR_Secondary$
 - To calculate total core loss (W), use the following formula:
 $Core\ Loss\ (W) = 8.73 * 11 * (Frequency\ in\ kHz)^{1.67} * (180 * [ET/ET\ Max])^{2.55}$
 Where ET is the applied Volt Second, ET Max is the rated Volt Second for 180mT flux swing
 - To calculate temperature rise, use the following formula: $Temperature\ Rise\ (°C) = 140 * (Core\ Loss(W) + Copper\ Loss\ (W))$
- The AEC-Q200 temperature and humidity operational life testing was completed using a dielectric strength test of 5000Vdc.
- Creepage and clearance is in accordance with IEC 61558-1 and IEC61558-2-16 for reinforced insulation to a working voltage of 400Vrms (for basic insulation to a working voltage of 800Vrms) based on material group III, pollution degree 2, OVC II and 5000m altitude. The PM2190.XXXNL part numbers are AEC-Q200 and IATF16949 certified.
- Rated voltage is based on a positive partial discharge test (discharge < 10pC) for the profile shown in page 3, in accordance with IEC60664 for basic insulation. In an application which requires a reinforced insulation barrier, a rated voltage of 880Vpk is defined and confirmed by partial discharge testing. Ⓢ

Mechanical

Schematic

PH9185.XXXNL/PM2190.XXXNL



Weight2.6grams
 Tape & Reel150/reel
 Tray80/tray

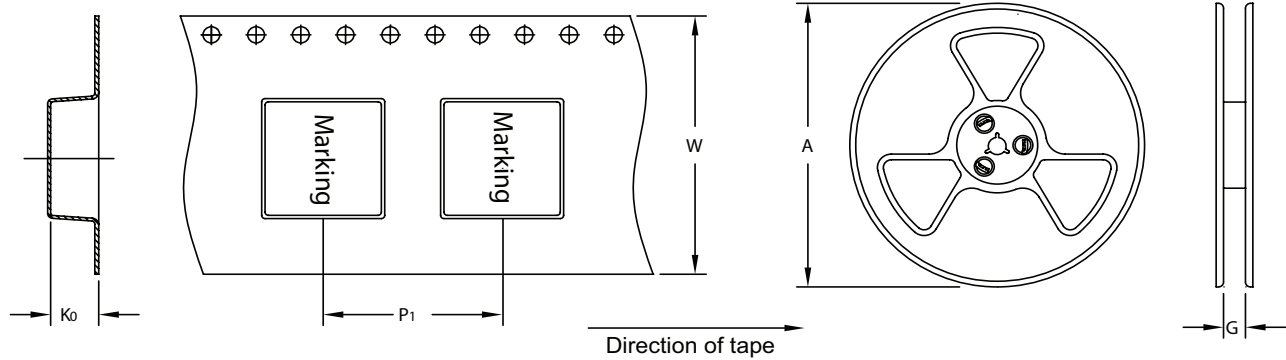
Dimensions: Inches
 mm

Unless otherwise specified,
 all tolerances are ± .010
 0,25

High Isolation Power Transformers

EP7 Platform SMD - PH9185.XXXNL and PM2190.XXXNL

TAPE & REEL INFO



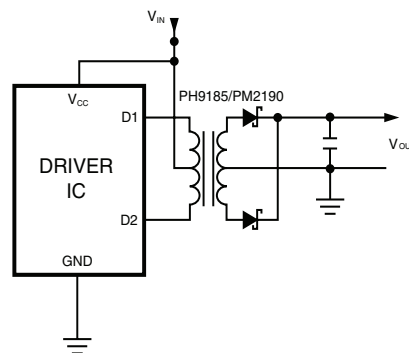
SURFACE MOUNTING TYPE, REEL/TAPE LIST

PART NUMBER	REEL SIZE (mm)		TAPE SIZE (mm)			QTY
	A	G	P ₁	W	K ₀	PCS/REEL
PH9185.XXXNL/PM2190.XXXNL	Ø330	32.4	24	32	12.8	150

APPLICATION

PH9185.XXXNL is a series of high isolation power supply transformer drivers. Intended to operate in a fixed duty cycle Push Pull topology, it is a part of a low cost solution for delivering lower power (up to 3W) from a low voltage source. A typical implementation would be an isolated RS-485/RS-232 power supply driver circuit, the design is compatible with the MAXIM™ MAX253 IC.

A schematic diagram for the Push Pull converter topology is given below.



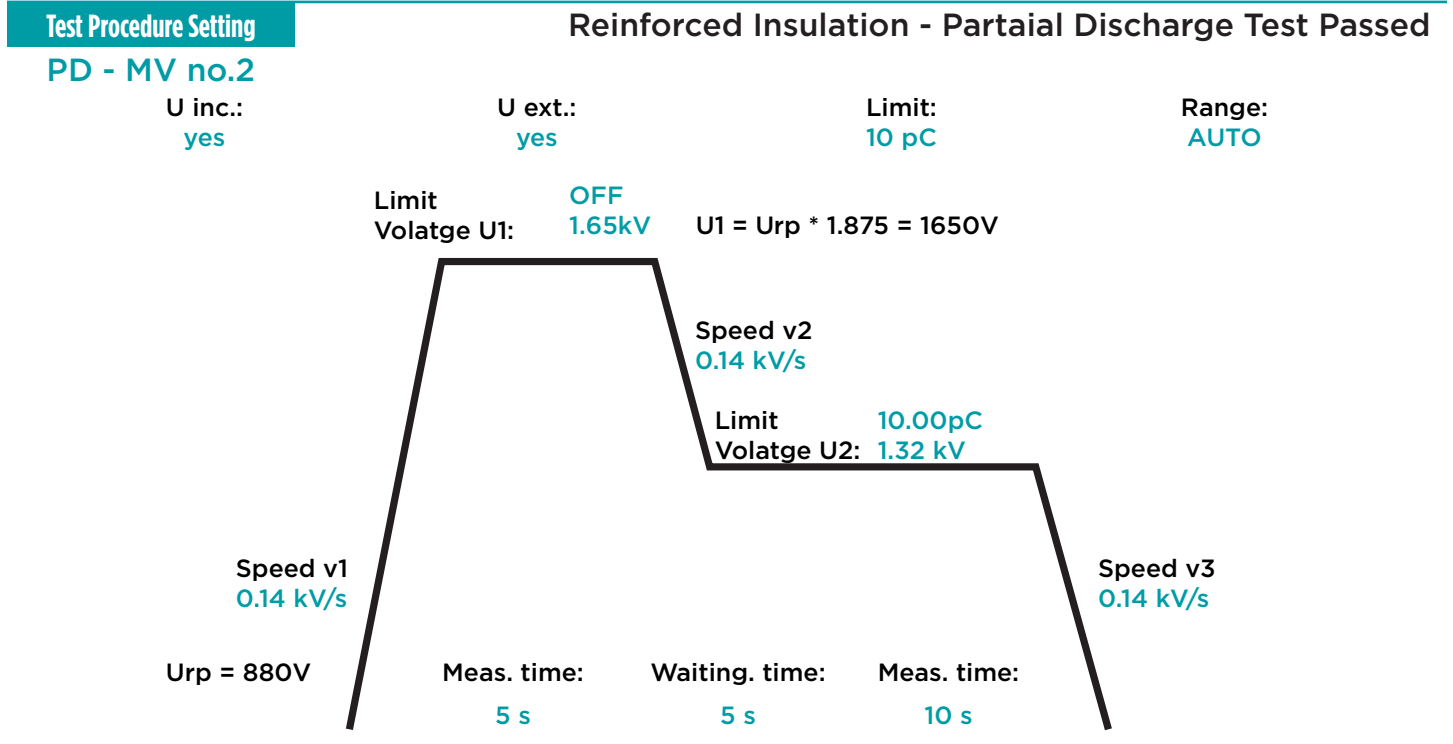
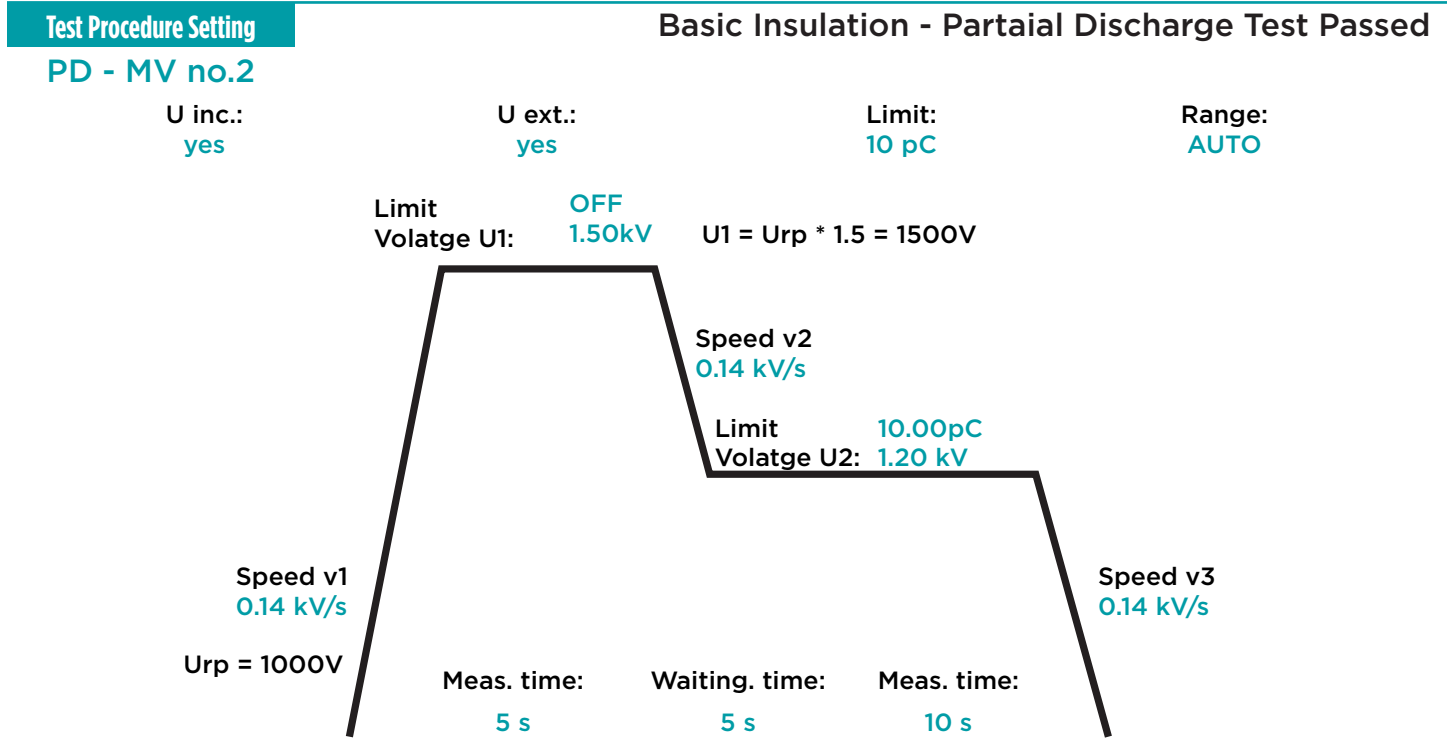
For a fixed 50% duty cycle mode of operation, the output voltage is simply determined by the input voltage and turns ratio. So, with the available turns ratios, a variety of output voltages can be selected.

This transformer design has been certified by UL to comply with UL60950-1 2nd edition, and CAN/CSA C22.2 NO. 60950-1-07 2nd edition; and by TUV to comply with EN61558-1 and EN61558-2-16 with reinforced insulation for a working voltage up to 400Vac 8mm creepage and 5000Vrms isolation voltage is guaranteed to meet this requirement. The design also complies with the Pulse's class F insulation system. PH9185.013NL was not included in the original UL/TUV certification but is complaint. Cost reduced versions without UL/TUV certification available, please contact Pulse Electronics for more information.

MAXIM is a registered trademark of Maxim Integrated Products.

High Isolation Power Transformers

EP7 Platform SMD - PH9185.XXXNL and PM2190.XXXNL



For More Information:

Americas - prodinfo_power_americas@yageo.com | Europe - prodinfo_power_emea@yageo.com | Asia - prodinfo_power_asia@yageo.com

Performance warranty of products offered on this data sheet is limited to the parameters specified. Data is subject to change without notice. Other brand and product names mentioned herein may be trademarks or registered trademarks of their respective owners. © Copyright, 2023. Pulse Electronics, Inc. All rights reserved.

YAGEO Corporation and its affiliates do not recommend the use of commercial or automotive grade products for high reliability applications or manned space flight.

Looking for pricing, stock, or lifecycle information?

Click below to explore more details on WIN SOURCE:

 [View PH9185.011NLT on WIN SOURCE](#)

 [Pulse Information](#)

Optimize Your Supply Chain with WIN SOURCE Solutions

-  Global Sourcing Solution
-  Obsolete Management
-  Cost Control Management
-  Shortage Management
-  Alternative Solution
-  Excess Inventory Management