

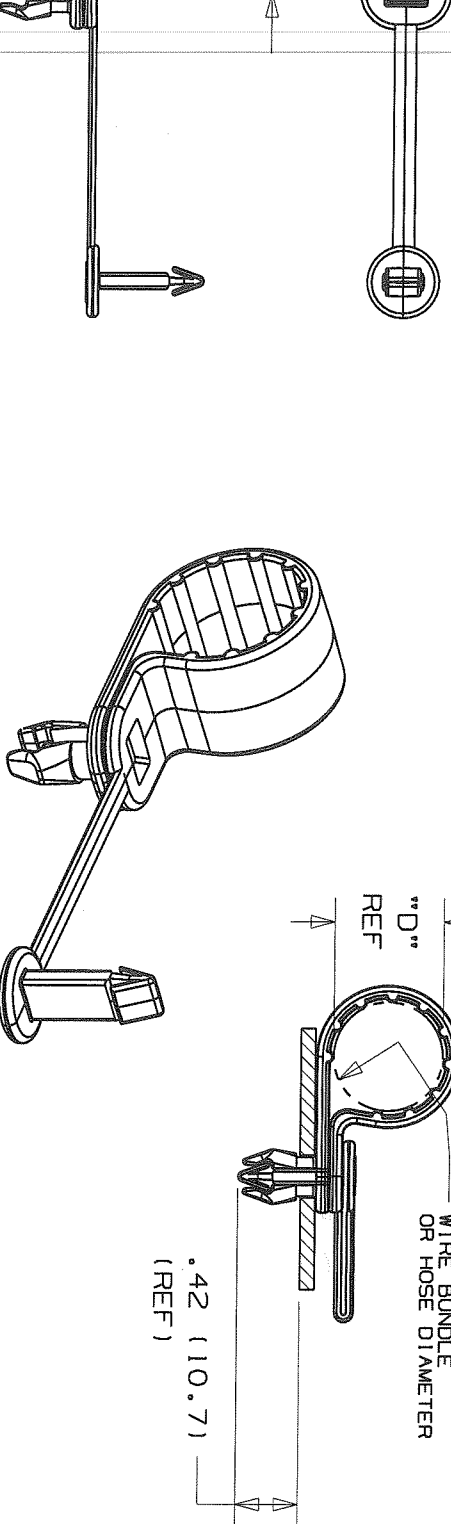


**THE DATASHEET OF
PC038-H25D-D0**



ON A RESTRICTED BASIS AND IS NOT TO BE USED IN ANY WAY DETRIMENTAL TO THE INTERESTS OF PANDUIT CORP.

VIEW AS INSTALLED



SCALE: FULL

NOTES:

1. SEE CURRENT PRICE SHEET FOR PART NUMBER SUFFIX DESIGNATION FOR PACKAGE SIZE AND COLOR.
2. MOUNTING HOLE DIAMETER:
1/4" CLEARANCE - .281" (7mm)
PANEL THICKNESS:
.125" (3.2mm) NOMINAL
3. SPECIFIED DIAMETER IS CABLE OR HOSE THAT IS BEING INSTALLED.

DIMENSIONS			WEIGHT lbs / (g) 100 / pcs
"D" DIAMETER REF SEE NOTE 3	"E" (REF.)	"W"	
.38 (9.5)	.64 (16.3)	.62 (15.7)	.74 / (340)
.50 (12.7)	.71 (17.9)		.83 / (380)
.62 (15.8)	.77 (19.5)		.92 / (420)
.75 (19.1)	.83 (21.1)		1.02 / (465)
.87 (22.1)	.89 (22.7)		1.11 / (505)
1.00 (25.4)	.96 (24.3)		1.21 / (550)
1.12 (28.5)	1.02 (25.8)		1.29 / (585)
1.25 (31.8)	1.08 (27.4)		1.37 / (620)

DIMENSIONS IN BRACKETS ARE METRIC (mm)

CAD FILENAME/ALPHAS G035971D_DC_GB2320CA/00B



PANDUIT CORP. TINLEY PARK, ILLINOIS

PAN-CLAMP
(PC---H25D-)

REVISION STYLE AND FILE NAME DEED COLUMN "C".		PART WEIGHTS, E, AND W DIMENSIONS		DATED PRODUCT PART NUMBERS		DESCRIPTION	
GB2320CA	00B	GB2320CA	5	GB2320CA	4	ECN - R	CUST SUP
UNLESS OTHERWISE SPECIFIED, DIMENSIONAL TOLERANCES ARE: (.X) ±0.05 (1.3) (.XXX) ±0.010 (0.25) (.XX) ±0.02 (0.5) ANGLES ±5°		UNLESS OTHERWISE SPECIFIED, ALL DIMENSIONS ARE GIVEN IN INCHES, THIRD ANGLE PROJECTION.		DRAWING NO. GB2320CA		DWG SIZE A	
DATE 4-26-00 CHK'D <i>kw</i>		SCALE 3/4		WEATHER RESISTANT IMPACT MODIFIED NYLON 6/6			
DRAWN BY JAD		MATERIAL:					

Looking for pricing, stock, or lifecycle information?

Click below to explore more details on WIN SOURCE:

-  [View PC038-H25D-D0 on WIN SOURCE](#)
-  [Panduit Corp Information](#)

Optimize Your Supply Chain with WIN SOURCE Solutions

-  Global Sourcing Solution
-  Obsolete Management
-  Cost Control Management
-  Shortage Management
-  Alternative Solution
-  Excess Inventory Management