



**THE DATASHEET OF
PJ-001AH-67**



MODEL: PJ-001AH-67 | **DESCRIPTION:** DC POWER JACK**FEATURES**

- IP67 waterproof
- low profile
- through hole
- reflow solder compatible
- shielded

**SPECIFICATIONS**

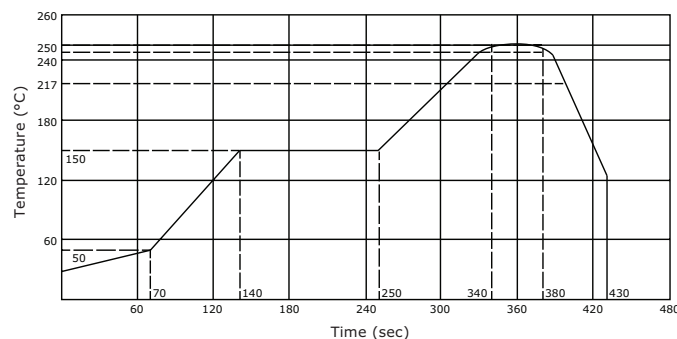
| parameter | conditions/description | min | typ | max | units |
|---------------------------------|--|-----|-------|----------|----------|
| rated input voltage | | | 24 | | Vdc |
| rated input current | | | | 5 | A |
| contact resistance ¹ | between terminal and mating plug between terminal in a closed circuit | | | 50 30 | mΩ mΩ |
| insulation resistance | at 500 Vdc between adjacent contacts | 100 | | | MΩ |
| voltage withstand | for 1 minute between adjacent contacts | | | 500 | Vac |
| insertion/withdrawal force | | 0.3 | | 3 | kg |
| operating temperature | | -25 | | 85 | °C |
| life | at a rate of 24 cycles/minute | | 5,000 | | cycles |
| flammability rating | UL94V-0 | | | | |
| RoHS | yes | | | | |
| IP level | IP67 | | | | |

Note: 1. When measured at a current of less than 100 mA/1 kHz
2. All specifications measured at 10~35°C, humidity at 45~85%, under standard atmospheric pressure, unless otherwise noted.

SOLDERABILITY

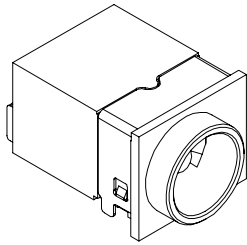
| parameter | conditions/description | min | typ | max | units |
|--------------------------------|--|-----|-----|-----|-------|
| reel storage | at relative humidity <80% | | | 40 | °C |
| reflow soldering ³ | see reflow profile | 245 | 250 | 255 | °C |
| drying conditions ⁴ | parts in reel: bake at 40°C ±5°C for 72 hours parts removed from reel: bake at 40°C ±5°C for 10 hours | | | | |

Note: 3. It is recommended to reflow solder within 72 hours from opening vacuum packaging at a temperature <30°C & relative humidity <60%.
4. When exceeding floor life by >72 hours.

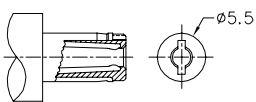
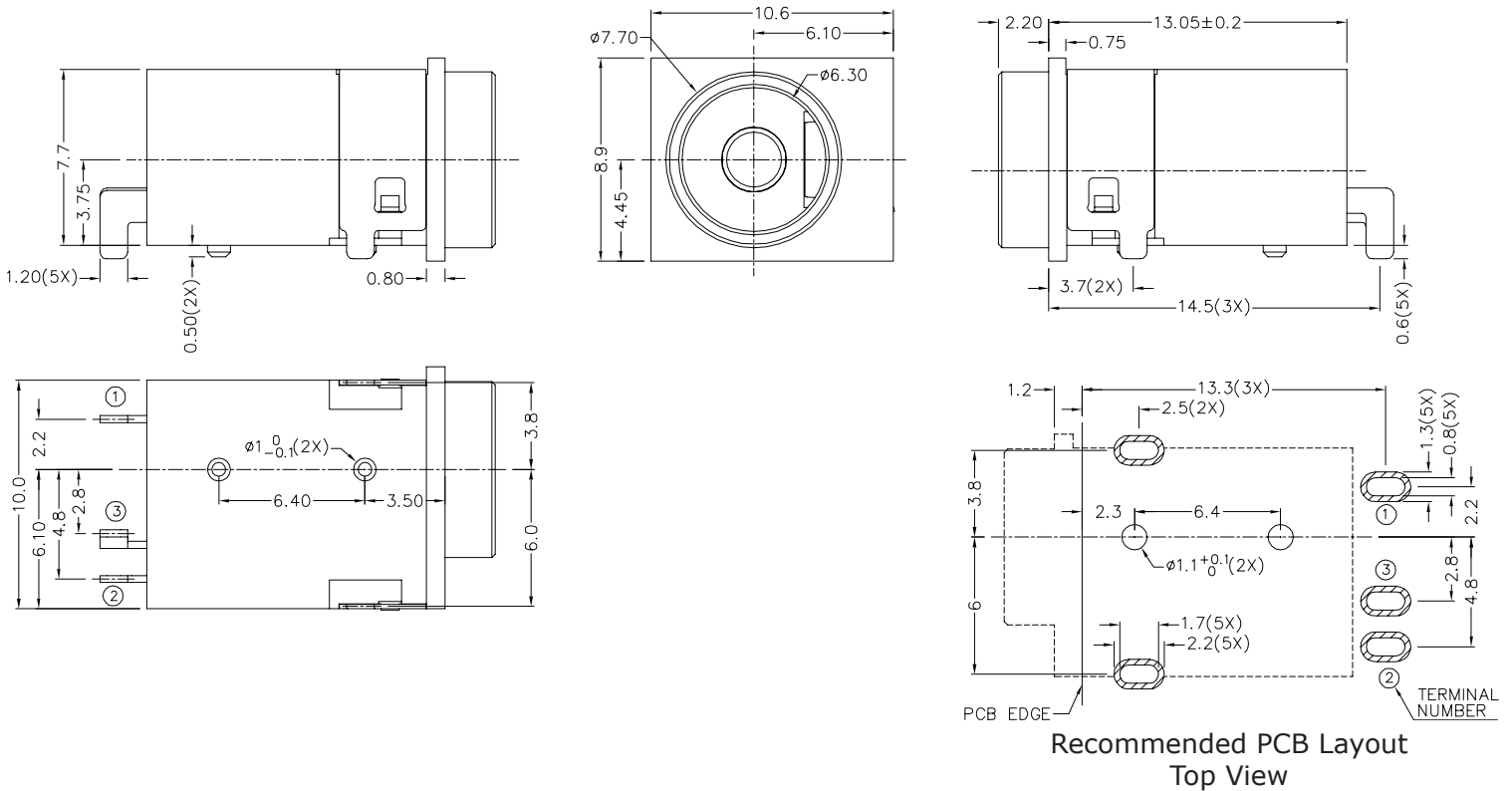


MECHANICAL DRAWING

units: mm
 tolerance:
 X.X ±0.2 mm
 X.XX ±0.10 mm
 X.XXX ±0.050 mm
 PCB: ±0.05 mm



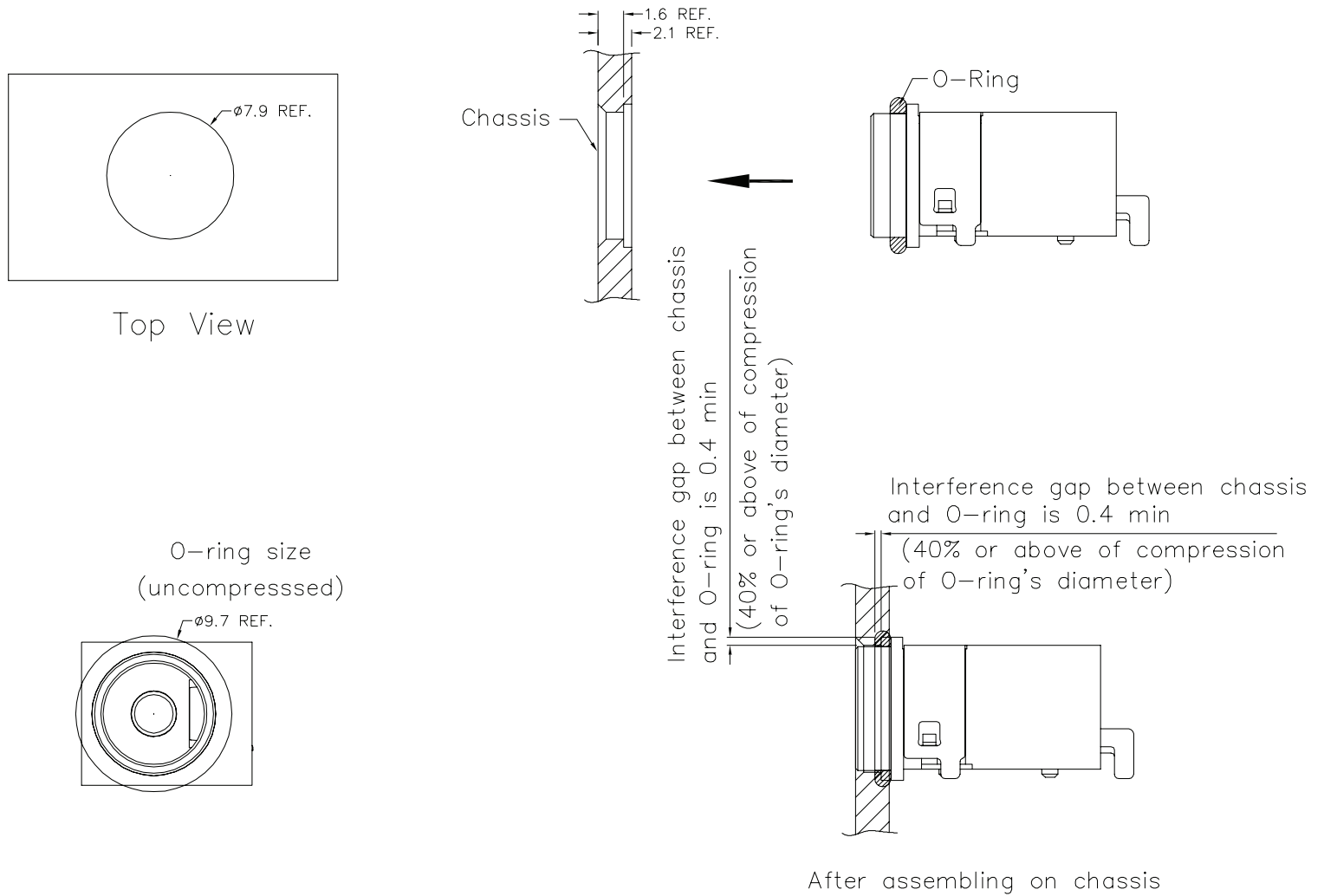
| | MATERIAL | PLATING |
|----------------|--------------|------------|
| terminal 1 | brass | gold flash |
| terminal 2 | copper alloy | gold flash |
| terminal 3 | brass | gold flash |
| shield | brass | nickel |
| insulator | PA10T | |
| o-ring (OR-70) | silicone | |



MATING PLUG
 Jack Insertion Depth: 10 mm

| SCHEMATIC | | O-ring (P/N: OR-70) |
|------------|-------------|----------------------------|
| Model | PJ-001AH-67 | |
| Center Pin | Ø2.0 mm | |

ASSEMBLY REFERENCE

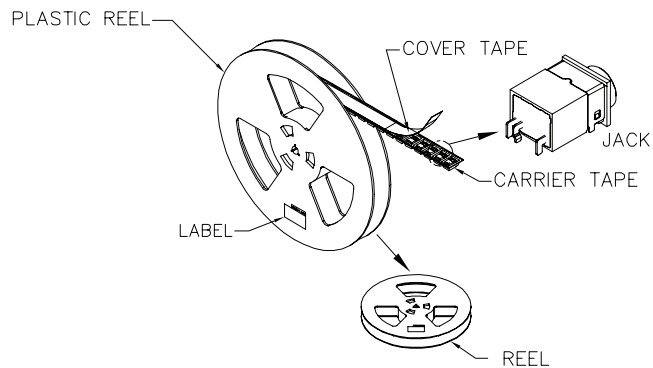
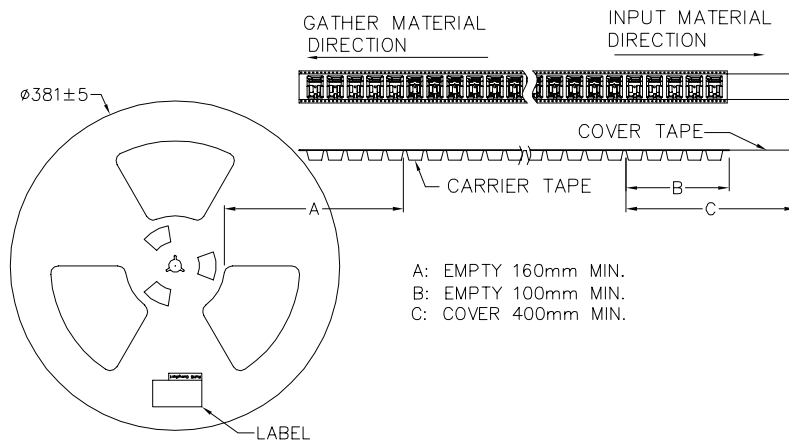
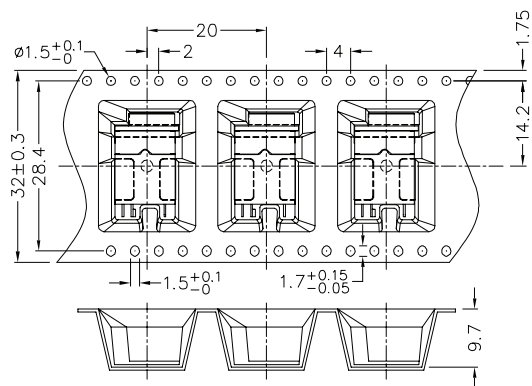


PACKAGING

units: mm

Reel Size: Ø381 mm

Reel QTY: 450 pcs per reel



REVISION HISTORY

| rev. | description | date |
|------|------------------|------------|
| 1.0 | initial release | 01/29/2019 |
| 1.01 | brand update | 10/30/2019 |
| 1.02 | added o-ring p/n | 04/07/2022 |

The revision history provided is for informational purposes only and is believed to be accurate.

CUI DEVICES


CUI Devices offers a one (1) year limited warranty. Complete warranty information is listed on our website.

CUI Devices reserves the right to make changes to the product at any time without notice. Information provided by CUI Devices is believed to be accurate and reliable. However, no responsibility is assumed by CUI Devices for its use, nor for any infringements of patents or other rights of third parties which may result from its use.

CUI Devices products are not authorized or warranted for use as critical components in equipment that requires an extremely high level of reliability. A critical component is any component of a life support device or system whose failure to perform can be reasonably expected to cause the failure of the life support device or system, or to affect its safety or effectiveness.

Looking for pricing, stock, or lifecycle information?

Click below to explore more details on WIN SOURCE:

 [View PJ-001AH-67 on WIN SOURCE](#)

 [CUI Inc. Information](#)

Optimize Your Supply Chain with WIN SOURCE Solutions

-  Global Sourcing Solution
-  Obsolete Management
-  Cost Control Management
-  Shortage Management
-  Alternative Solution
-  Excess Inventory Management