



**THE DATASHEET OF  
NX2520SA-40.000000MHZ**



## Specification of Quartz Crystal Units

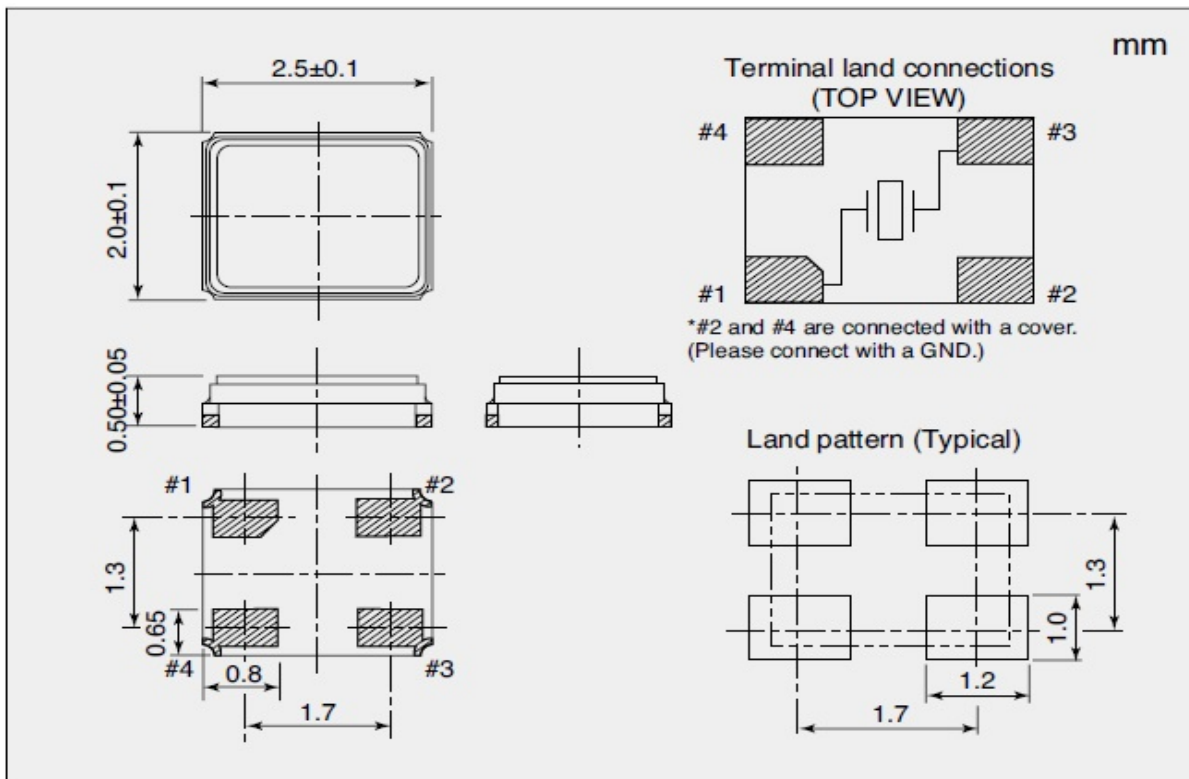
1 NDK Part Number	NX2520SA-__M-STD-CSW-2
2 Chipset Maker	---
3 Application	---
4 Chipset Name	---
5 NDK Specification Number	STD-CSW-2
6 Type	NX2520SA
7 Electrical Characteristics	

Parameters	SYM.	Electrical Spec.				Notes
		min	typ	max	Units	
Nominal Frequency (f <sub>nom</sub> )	f <sub>nom</sub>	16	-	48	MHz	
Overtone order	-	Fundamental			-	
Frequency tolerance	-	-10	-	+10	ppm	at +25°C
Frequency versus temperature characteristics	-	-10	-	+10	ppm	at -10 to +60°C *1.
Equivalent Series Resistance	R <sub>r</sub>	-	-	80	Ω	16 ≤ f <sub>x</sub> < 20(MHz), PI-Network Series
		-	-	60		20 ≤ f <sub>x</sub> < 30(MHz), PI-Network Series
		-	-	50		30 ≤ f <sub>x</sub> < 35(MHz), PI-Network Series
		-	-	40		35 ≤ f <sub>x</sub> ≤ 48(MHz), PI-Network Series
Load capacitance	CL	-	10	-	pF	PI-Network
Level of drive	-	-	10	200	μW	
Insulation resistance	-	500	-	-	Ω	*2.
Operating temperature range	-	-10	-	60	°C	
Storage temperature range	-	-40	-	85	°C	
Air-tightness	-	-	-	1.1×10 <sup>-9</sup>	Pa·m <sup>3</sup> /s	Helium leak detector

\*1. The reference temperature shall be +25°C

\*2. When terminal to terminal and terminal to cover were applied at DC100V ±15V.

### Dimension



## Looking for pricing, stock, or lifecycle information?

Click below to explore more details on WIN SOURCE:

 [View NX2520SA-40.000000MHZ on WIN SOURCE](#)

 [NDK Information](#)

## Optimize Your Supply Chain with WIN SOURCE Solutions

-  Global Sourcing Solution
-  Obsolete Management
-  Cost Control Management
-  Shortage Management
-  Alternative Solution
-  Excess Inventory Management