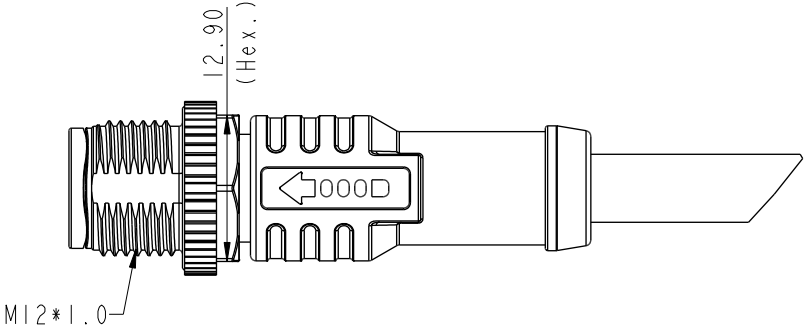
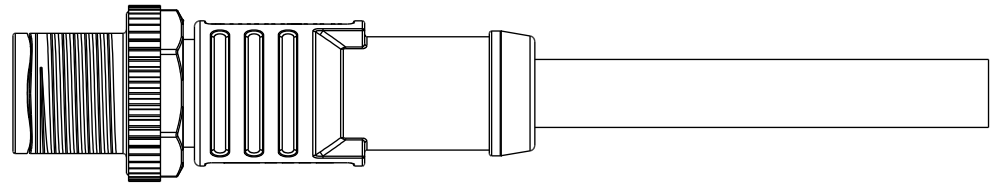
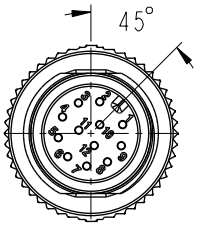
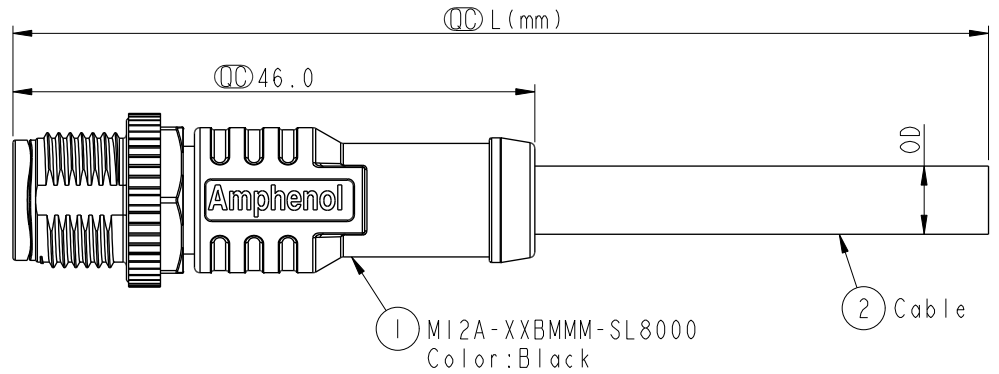


THIS DOCUMENT IS SUBJECT TO CHANGE WITHOUT NOTICE. IT IS CONFIDENTIAL AND A PROPERTY OF Amphenol LTW. DISCLOSURE TO THIRD PARTY HAS TO BE AUTHORIZED BY Amphenol LTW.

REV.	ECN NO.	DATE	SIGN	DESCRIPTION
B	C210007	2020/12/29	Ruru	$\triangle B$ X3



- Note:
- * CC Important Dimension.
 - * Waterproof Rate: IP68, IP69K.
 - * Connector: Thermoplastic, Black.
 - * Male Pin: Copper Alloy, Gold Plated.
 - $\triangle B$ * Screw Nut: Metal.
 - * Outer Mold: Thermoplastic, Black.
 - * Cable: UL20549, TPU Jacket, Black.
(High bending cable)
 - * Rated Voltage: 3 & 4Pin 250V dc. or ac.
5Pin 60V dc. or ac.
6~12Pin 30V dc. or ac.
 - * Rated Current: 3~5Pin 4A
6~8Pin 2A
10~12Pin 1.5A
 - * Operating Temperature: -20~80°C
 - * Cable Length Tolerance: 01M:±40mm
02M~05M:±60mm
06M~10M:±100mm
11M~30M:±200mm
31M~99M:±500mm

UNIT:mm		
TOLERANCE	±0.5mm	



TITLE N SEN, M12 A, 08P, SCREW CABLE W/O SR, M, M, MOLDING $\triangle B$			
SCALE 3:2	SIZE A4	SHEET 1 OF 2	
REV. B	WC-REV. .0	CC : Inspection item	

Amphenol LTW
安費諾亮泰企業股份有限公司

ITEM NO	DRAWN BY Ouyang	DATE 2020-11-18
DWG NO M12A-XXBMMM-SL8NXX	CHECKED BY Jerry	DATE 2020-11-18
CUSTOMER ALTW	APPROVED BY Fred	DATE 2020-11-18

Looking for pricing, stock, or lifecycle information?

Click below to explore more details on WIN SOURCE:

-  [View M12A-05BMMM-SL8N05 on WIN SOURCE](#)
-  [Amphenol Information](#)

Optimize Your Supply Chain with WIN SOURCE Solutions

-  Global Sourcing Solution
-  Obsolete Management
-  Cost Control Management
-  Shortage Management
-  Alternative Solution
-  Excess Inventory Management