



**THE DATASHEET OF  
EV8049S-U-00A**



## GENERAL DESCRIPTION

The EV8049S-U-00A is the evaluation board for the MP8049S, a high current, quad channel power half-bridge. It accepts PWM modulated inputs for operation that can be configured as the stereo BTL output stage of a Class-D audio amplifier.

The MP8049S features a low current shutdown mode, standby mode, input under voltage protection, current limit, thermal shutdown and fault flag signal output. All channels of drivers interface with standard logic signals.

The MP8049S is available in a 40 lead QFN 5X5 package.

## ELECTRICAL SPECIFICATIONS

Parameter	Symbol	Value	Units
Supply Voltage	V <sub>DD</sub>	5 – 26	V
Peak Output Current	I <sub>PEAK</sub>	5.5	A

## FEATURES

- 5V to 26V VDD
- ±5.5A Peak Current Output
- Up to 1MHz Switching Frequency
- Protected Integrated Power 0.14Ω Switches
- 10ns Switch Dead Time
- All Switches Current Limited
- Internal Under Voltage Protection
- Internal Thermal Protection
- Short-circuit Protection
- Fault Output Flag
- Bridge Tied Load Output Power: 37W/Channel at 24V, 8Ω Applications

## APPLICATIONS

- Flat TV
- Home Theaters
- DVD Receivers

All MPS parts are lead-free and adhere to the RoHS directive. For MPS green status, please visit MPS website under Products, Quality Assurance page.

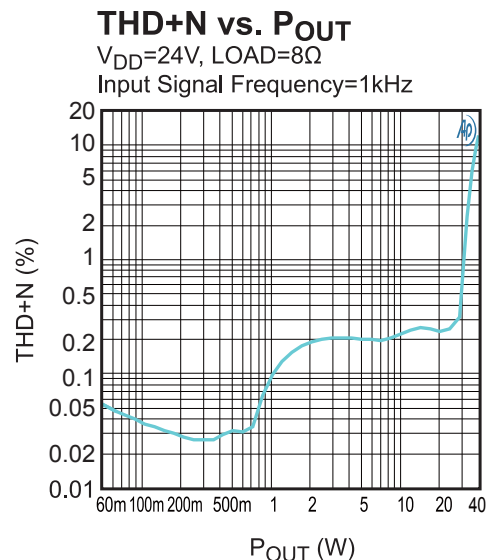
“MPS” and “The Future of Analog IC Technology” are Registered Trademarks of Monolithic Power Systems, Inc.

## EV8049S-U-00A EVALUATION BOARD

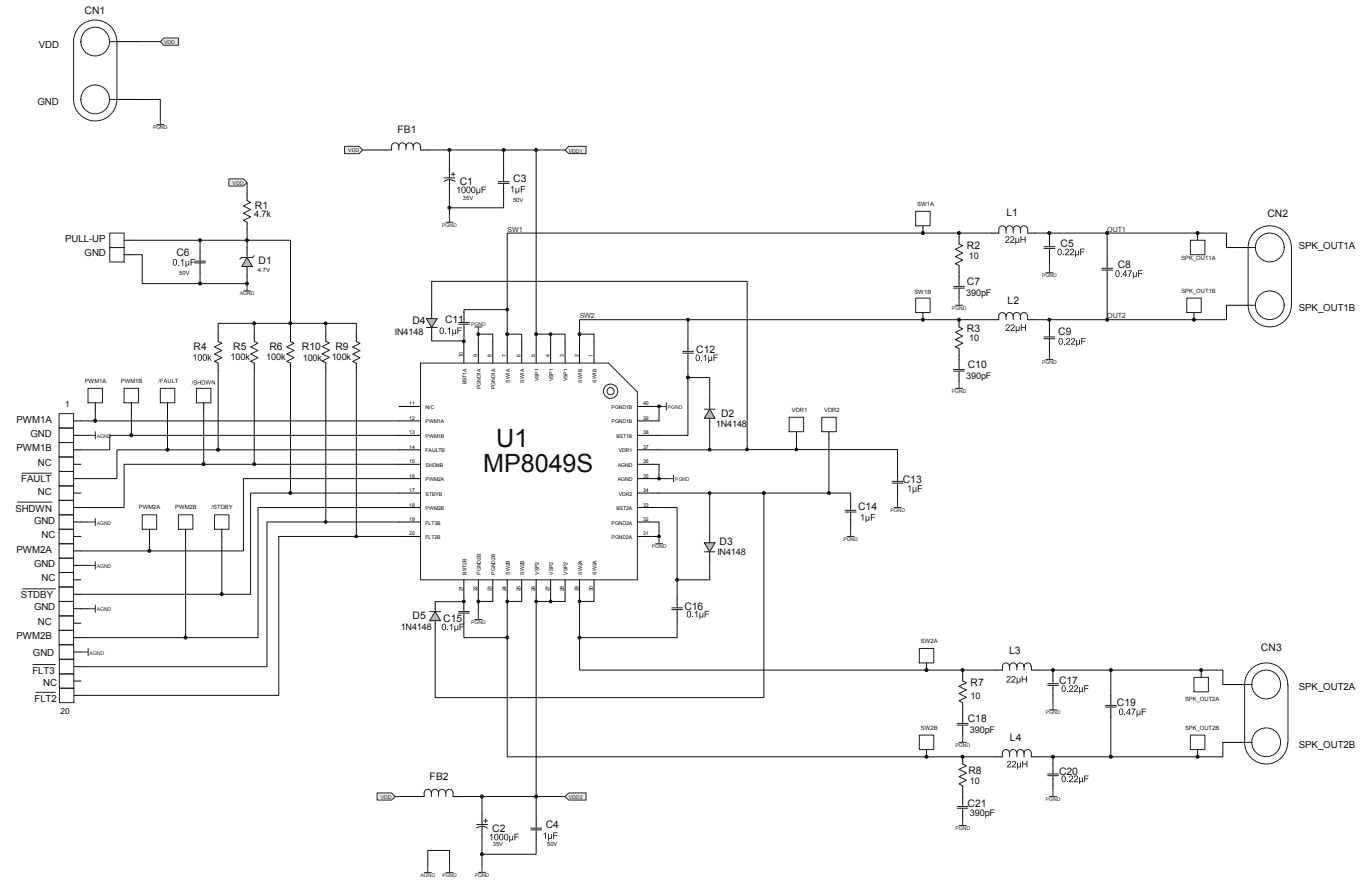


(L x W x H) 4.0" x 3.3" x 1.32"  
(10.2cm x 8.4cm x 3.4cm)

Board Number	MPS IC Number
EV8049S-U-00A	MP8049SDU



# EVALUATION BOARD SCHEMATIC



**EV8049S-U-00A BILL OF MATERIALS**

Qty	Ref	Value	Description	Package	Manufacturer	Part Number
2	C1, C2	1000uF	CAP/1000UF/RADIAL/35V	Radial	JIANG HAI	CD263-35V1000
2	C3, C4	1µF	CAP/1UF/1206/50V/X7R	1206	TDK	C3216X7R1H105K
4	C5, C9 C17, C20	0.22µF	CAP/0.22UF/FILM/50V	Radial	PANASONIC	ECQV1H224JL
1	C6	0.1µF	CAP/0.1UF/0603/50V/X7R	0603	TDK	C1608X7R1H104K
4	C7, C10 C18, C21	390pF	CAP/390pF/0603/50V/X7R	0603	TDK	C1608COG1H391J
2	C8, C19	0.47µF	CAP/0.47UF/FILM/50V	Radial	PANASONIC	ECQV1H474JL
4	C11, C12 C15, C16	0.1µF	CAP/0.1UF/0805/50V/X7R	0805	TDK	C2012X7R1H104K
2	C13, C14	1µF	CAP/1UF/0603/25V/X7R	0603	muRata	GRM188R7E105KA12D
1	R1	4.7k	RES/4.7K/0603/5%	0603	YAGEO	RC0603JR-074K7L
4	R2, R3 R7, R8	10	RES/10/0603/1%	0603	YAGEO	RC0603FR-0710RL
5	R4, R5 R6, R9 R10	100k	RES/100K/0603/1%	0603	YAGEO	RC0603FR-07100KL
1	D1	4V7	SOD323/BZT52C4V7S-7	SOD-323	DIODES	BZT52C4V7S
4	D2,D3 D4, D5	1N4148W	1N4148W-7/SOD123	SOD-123	DIODES	1N4148W
2	FB1, FB2	6A	FERRITE/BEAD	1206	muRata	BLM31PG330SH1L
4	L1, L2 L3, L4	22µH	3.26A/22uH/INDUCTOR	Radial	TOKO	13RHBP-A7502BY-220M
2	CN1	VDD	BANANA CONNECTOR	Radial	ANY	
		GND	BANANA CONNECTOR	Radial	ANY	
2	CN2, CN3	CONN	SPEAKER TERMINAL	Radial	ANY	
2	I/O	CONN	SIP 2.54mm * 40 PIN	Radial	ANY	
1	U1	MP8049S	CLASS D POWER STAGE	QFN40_5*5	MPS	MP8049SDU

## PRINTED CIRCUIT BOARD LAYOUT

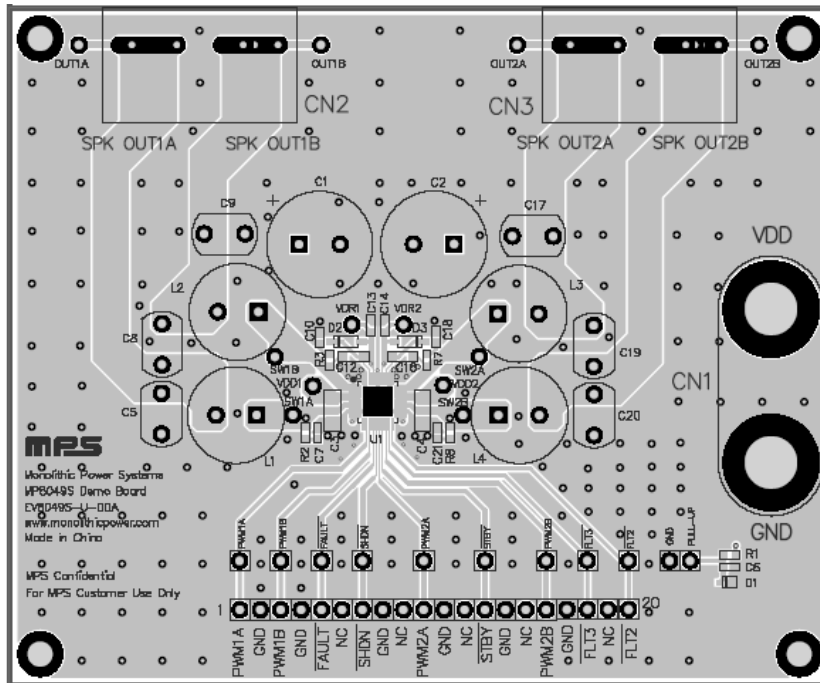


Figure 1—Top and Top Silk Layer

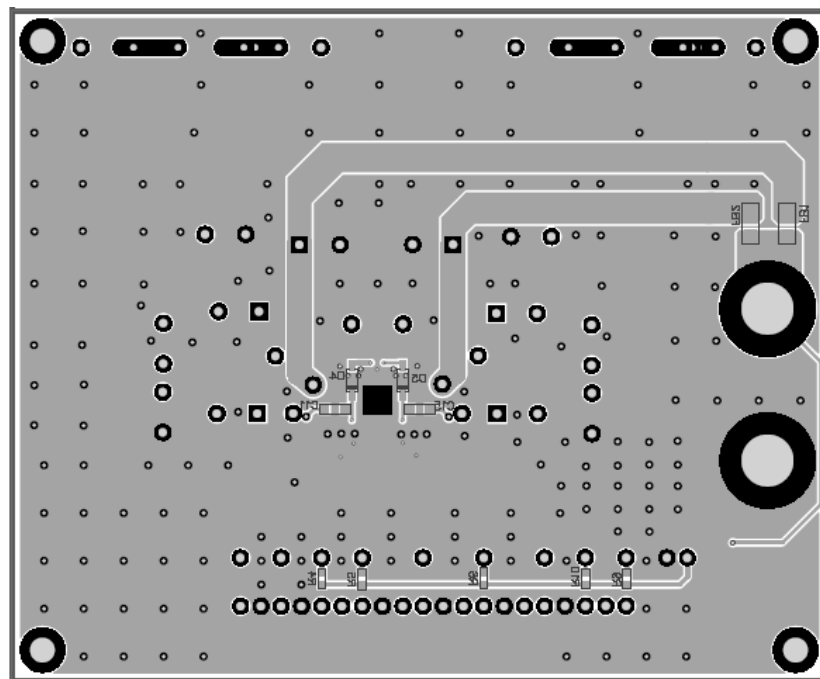
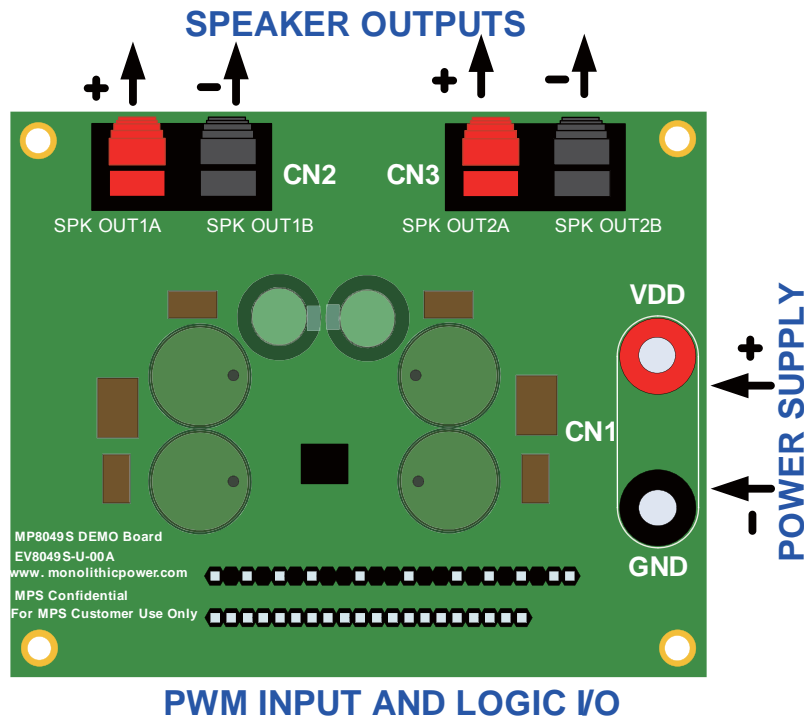


Figure 2— Bottom and Bottom Silk Layer

## QUICK START GUIDE

The EV8049S-U-00A comes pre-configured to operate as a stereo BTL (Bridge-Tied Load) audio power driver, where a complementary PWM modulated audio signal (PWM and  $\overline{\text{PWM}}$ ) is used as an input, and music is played to speakers connected to the outputs. Please follow the steps in the Quick Start Guide for Stereo BTL Operation section.



**Figure 3 EV8049S-U-00A Connection Diagram**

### Quick Start Guide for Stereo BTL Operation

#### Input/Output Requirements

1. Power supply (CN1): 5V to 26V.
2. Complementary PWM Signal Source (PWM,  $\overline{\text{PWM}}$ ).
3. Speaker Load (CN2 and CN3): 6Ω to 8Ω.

#### Setup Condition for Operation

4. Connect the speakers between SPK\_OUT1A and SPK\_OUT1B, SPK\_OUT2A and SPK\_OUT2B terminals.
5. Connect a PWM signal source to PWM1A / PWM2A and the complementary signal source  $\overline{\text{PWM}}$  to PWM1B / PWM2B, respectively. Use the GND terminal between PWM1A and PWM1B / PWM2A and PWM2B as the ground connection for the PWM inputs.
6. Apply power to the board.
7. Audio should be heard through the speakers.

**Instructions for PWM Input and Logic I/O**



PIN	I/O	DESCRIPTION																									
PWM1A PWM1B PWM2A PWM2B	INPUT	Accept TTL LEVEL PWM signal for driving each of the half bridge																									
SHDNB	INPUT	Active low, pull low to shut off the MP8049S																									
STBYB	INPUT	Active low, pull low to enter standby mode (turn all the switches to high impedance)																									
FAULTB	OUTPUT	FAULTB will be pull low once OCP or OTP is triggered																									
FLT B2 FLT B3	OUTPUT	Error reporting, details please refer to the below table																									
		<table border="1"> <thead> <tr> <th>FLT B2</th> <th>FLT B3</th> <th>OCP</th> <th>OTP</th> <th>UVP</th> </tr> </thead> <tbody> <tr> <td>1</td> <td>1</td> <td>0</td> <td>0</td> <td>0</td> </tr> <tr> <td>0</td> <td>1</td> <td>0</td> <td>0</td> <td>1</td> </tr> <tr> <td>1</td> <td>0</td> <td>0</td> <td>1</td> <td>0</td> </tr> <tr> <td>0</td> <td>0</td> <td>1</td> <td>0</td> <td>0</td> </tr> </tbody> </table>	FLT B2	FLT B3	OCP	OTP	UVP	1	1	0	0	0	0	1	0	0	1	1	0	0	1	0	0	0	1	0	0
		FLT B2	FLT B3	OCP	OTP	UVP																					
		1	1	0	0	0																					
		0	1	0	0	1																					
1	0	0	1	0																							
0	0	1	0	0																							

Note: for more details, please find the datasheet of MP8049S.

**NOTICE:** The information in this document is subject to change without notice. Please contact MPS for current specifications. Users should warrant and guarantee that third party Intellectual Property rights are not infringed upon when integrating MPS products into any application. MPS will not assume any legal responsibility for any said applications.

## Looking for pricing, stock, or lifecycle information?

Click below to explore more details on WIN SOURCE:

-  [View EV8049S-U-00A on WIN SOURCE](#)
-  [Monolithic Power Systems Inc. Information](#)

## Optimize Your Supply Chain with WIN SOURCE Solutions

-  Global Sourcing Solution
-  Obsolete Management
-  Cost Control Management
-  Shortage Management
-  Alternative Solution
-  Excess Inventory Management