

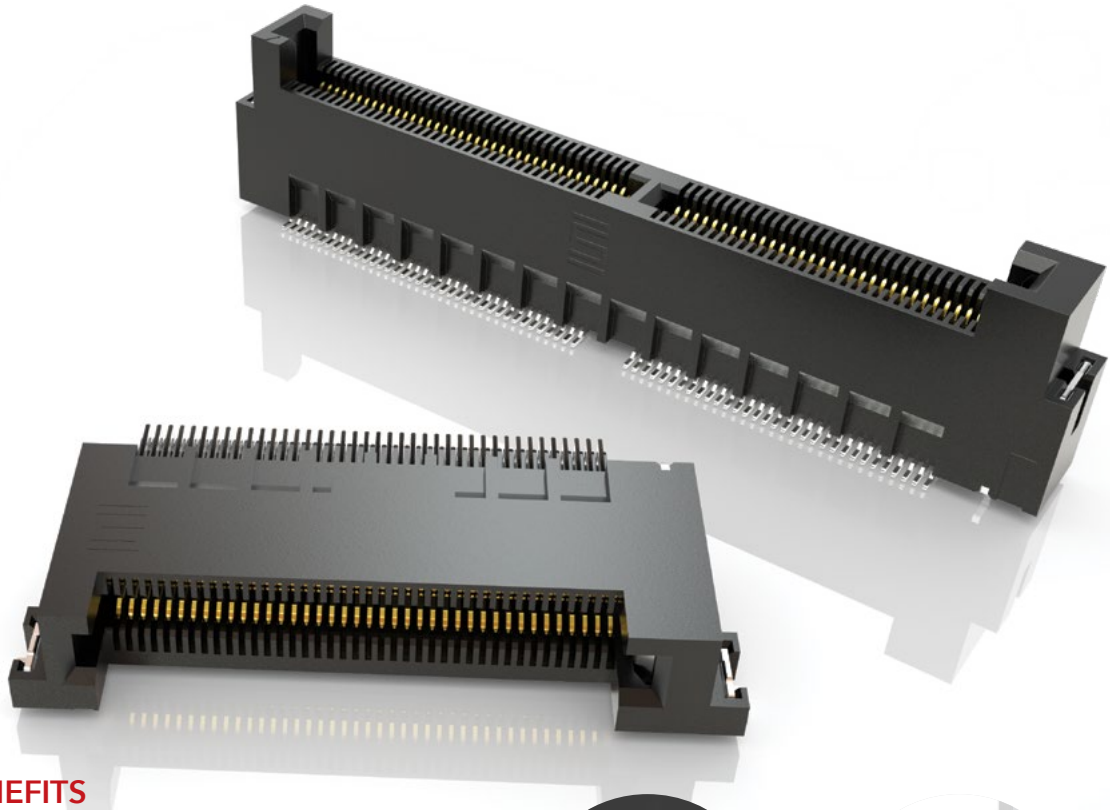


**THE DATASHEET OF
MECF-20-01-L-DV**



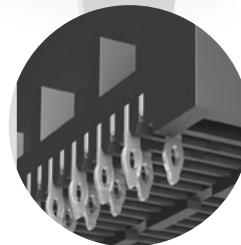
MICRO EDGE CARD SYSTEMS

0.50 mm, 0.635 mm, 0.80 mm, 1.00 mm, 1.27 mm, 2.00 mm PITCH

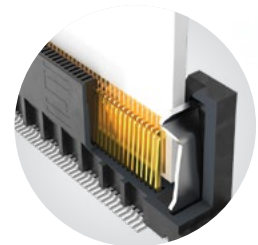


FEATURES & BENEFITS

- Up to 56 Gbps PAM4
- PCI Express® 4.0 (MEC5 Series)
- Solutions for (1.60 mm) .062" and (2.36 mm) .093" thick cards
- Choice of pitch: 0.50 mm, 0.635 mm, 0.80 mm, 1.00 mm, 1.27 mm, 2.00 mm
- Vertical, right-angle and edge mount orientations
- Available in surface mount and through-hole



Staggered press-fit tails
(MEC8-VP)



Justification beam ensures
card and body are flush
(MEC5)

KEY SPECIFICATIONS

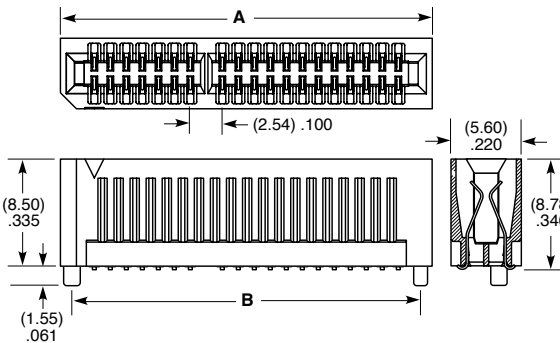
SERIES	PITCH	TOTAL POSITIONS	INSULATOR MATERIAL	CONTACT MATERIAL	OPERATING TEMP RANGE	CURRENT RATING	VOLTAGE RATING	LEAD-FREE SOLDERABLE
MEC5	0.50 mm	60-200	Black LCP	Phosphor Bronze	-55 °C to +125 °C	1.5 A (2 pins)	125 VAC	Yes
MEC6	0.635 mm	20-140	Black LCP	Phosphor Bronze	-55 °C to +125 °C	2.4 A (2 pins)	185 VAC	Yes
MEC8	0.80 mm	20-140	Black LCP	Phosphor Bronze	-55 °C to +125 °C	2.3 A (2 pins)	180 VAC	Yes
MEC1	1.00 mm	20-140	Black LCP	Phosphor Bronze	-55 °C to +125 °C	2.2 A (2 pins)	250 VAC	Yes
MECF	1.27 mm	10-100	Black/Natural LCP	BeCu	-55 °C to +125 °C	3.5 A (2 pins)	280 VAC	Yes
MEC2	2.00 mm	10-100	Black/Natural LCP	BeCu	-55 °C to +125 °C	3.5 A (2 pins)	235 VAC	Yes

(1.27 mm) .050" PITCH • MINI EDGE CARD SOCKET

MECF	POSITIONS PER ROW	CARD THICKNESS	PLATING OPTION	DV	OPTION	"X"R
	-05, -08, -20, -30, -40, -50	-01 = (1.60 mm) .062" thick card -02 = (2.36 mm) .093" thick card	-L =10 μm (0.25 μm) Gold on contact, Matte Tin on tail		-WT = Weld Tabs (Standard on -02 card thickness, optional on -01 card thickness) -K Polyimide film pick & place pad (-"X"R only)	Leave blank for Tube Packaging -TR = Tape & Reel -FR = Full Reel Tape & Reel (must order max. quantity per reel; contact Samtec for quantity breaks)

MECF

Card Mates:
(1.60 mm) .062"
thick card
(2.36 mm) .093"
thick card



POSITIONS PER ROW	A	B
-05	(10.46) .412	(8.64) .340
-08	(14.27) .562	(12.45) .490
-20	(29.51) 1.162	(27.69) 1.090
-30	(42.21) 1.662	(40.39) 1.590
-40	(54.91) 2.162	(53.09) 2.090
-50	(67.61) 2.662	(65.79) 2.590

POSITIONS PER ROW	POLARIZED POSITIONS (No Contact)
-05	3, 4
-08	5, 6
-20	15, 16
-30	21, 22
-40	31, 32
-50	41, 42

View complete specifications at: samtec.com?MECF-DV

(2.00 mm) .0787" PITCH • MINI EDGE CARD SOCKET

MEC2	POSITIONS PER ROW	CARD THICKNESS	PLATING OPTION	TAIL OPTION	OPTION	"X"R
	-05, -08, -20, -30, -40, -50	-01 = (1.60 mm) .062" thick card -02 = (2.36 mm) .093" thick card (-DV option only)	-L =10 μm (0.25 μm) Gold on contact, Matte Tin on tail	-DV Vertical Surface Mount -TH1 Through-hole	-WT = Weld Tabs (standard on -02 card, optional on -01 card) -K = Polyimide film pick & place pad (-"X"R & -DV only)	Leave blank for Tube Packaging -TR = Tape & Reel (05 thru 30 positions only) (Not available with -TH1) -FR = Full Reel Tape & Reel (must order max. quantity per reel; contact Samtec for quantity breaks) (05 thru 30 positions only) (Not available with -TH1)

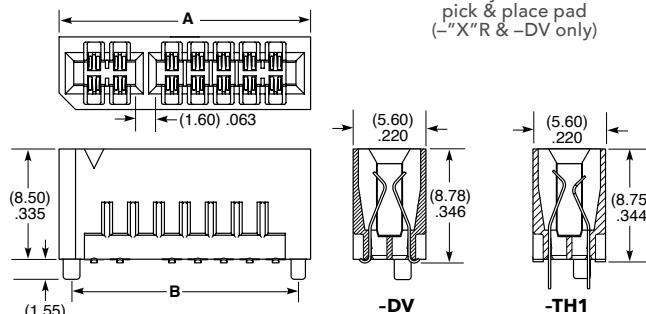
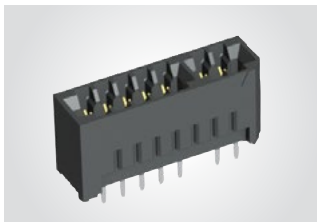
MEC2-DV

Card Mates:
(1.60 mm) .062"
thick card
(2.36 mm) .093"
thick card



MEC2-TH

Card Mates:
(1.60 mm) .062"
thick card




POSITIONS PER ROW	A	B	POSITIONS PER ROW	POLARIZED POSITIONS (No Contact)
-05	(13.40) .528	(11.50) .453	-05	3, 4
-08	(19.40) .764	(17.50) .689	-08	5, 6
-20	(43.40) 1.709	(41.50) 1.634	-20	15, 16
-30	(63.40) 2.496	(61.50) 2.421	-30	21, 22
-40	(83.40) 3.283	(81.50) 3.209	-40	31, 32
-50	(103.40) 4.071	(101.50) 3.996	-50	41, 42

Note:
Some sizes, styles and
options are non-standard,
non-returnable.

View complete specifications at: samtec.com?MEC2-DV & samtec.com?MEC2-TH

Looking for pricing, stock, or lifecycle information?

Click below to explore more details on WIN SOURCE:

 [View MECF-20-01-L-DV on WIN SOURCE](#)

 [Samtec Inc. Information](#)

Optimize Your Supply Chain with WIN SOURCE Solutions

-  Global Sourcing Solution
-  Obsolete Management
-  Cost Control Management
-  Shortage Management
-  Alternative Solution
-  Excess Inventory Management