



**THE DATASHEET OF
CD74HC166M**



CDx4HC(T)166 High-Speed CMOS Logic 8-Bit Parallel-In/Serial-Out Shift Register

1 Features

- Buffered inputs
- Fanout (over temperature range)
 - Standard outputs: 10 LSTTL Loads
 - Bus driver outputs: 15 LSTTL Loads
- Wide operating temperature range: -55°C to 125°C
- Balanced propagation delay and transition time
- Significant power reduction compared to LSTTL Logic ICs
- HC Types
 - 2 V to 6 V operation
 - High noise immunity: $N_{IL} = 30\%$, $N_{IH} = 30\%$ of V_{CC} at $V_{CC} = 5 V$
- HCT Types
 - 4.5 V to 5.5 V Operation
 - Direct LSTTL Input Logic Compatibility, $V_{IL} = 0.8V$ (Max), $V_{IH} = 2 V$ (Min)

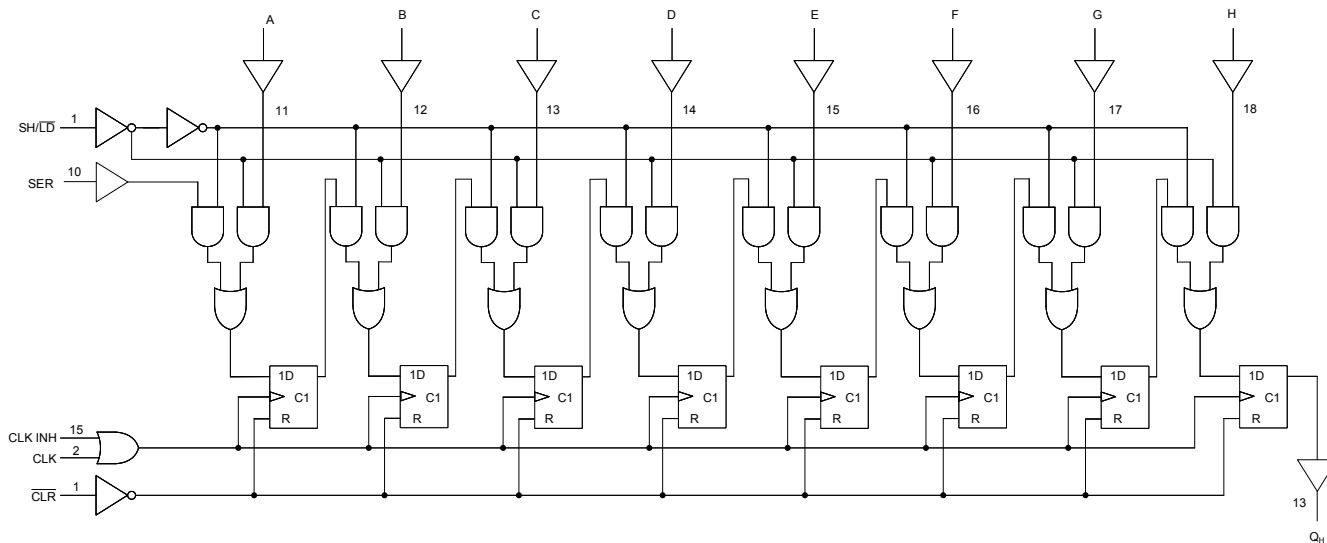
2 Description

The 'HC166 and 'HCT166 8-bit shift register is fabricated with silicon gate CMOS technology. It possesses the low power consumption of standard CMOS integrated circuits, and can operate at speeds comparable to the equivalent low power Schottky device.

Device Information

PART NUMBER	PACKAGE ⁽¹⁾	BODY SIZE (NOM)
CD54HC166F3A	CDIP (16)	24.38 mm × 6.92 mm
CD54HCT166F3A	CDIP (16)	24.38 mm × 6.92 mm
CD74HC166M	SOIC (16)	9.90 mm × 3.90 mm
CD74HCT166M	SOIC (16)	9.90 mm × 3.90 mm
CD74HC166E	PDIP (16)	19.31 mm × 6.35 mm
CD74HCT166E	PDIP (16)	19.31 mm × 6.35 mm

(1) For all available packages, see the orderable addendum at the end of the data sheet.



Functional Diagram



Table of Contents

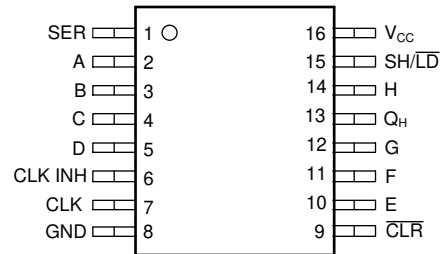
1 Features	1	7.2 Functional Block Diagram.....	10
2 Description	1	7.3 Device Functional Modes.....	11
3 Revision History	2	8 Power Supply Recommendations	12
4 Pin Configuration and Functions	3	9 Layout	12
5 Specifications	4	9.1 Layout Guidelines.....	12
5.1 Absolute Maximum Ratings ⁽¹⁾	4	10 Device and Documentation Support	13
5.2 Recommended Operating Conditions.....	4	10.1 Receiving Notification of Documentation Updates..	13
5.3 Thermal Information.....	4	10.2 Support Resources.....	13
5.4 Electrical Characteristics.....	5	10.3 Trademarks.....	13
5.5 Prerequisite for Switching Characteristics.....	6	10.4 Electrostatic Discharge Caution.....	13
5.6 Switching Characteristics.....	7	10.5 Glossary.....	13
6 Parameter Measurement Information	8	11 Mechanical, Packaging, and Orderable Information	13
7 Detailed Description	10		
7.1 Overview.....	10		

3 Revision History

NOTE: Page numbers for previous revisions may differ from page numbers in the current version.

Changes from Revision C (October 2003) to Revision D (February 2022)	Page
• Updated the numbering, formatting, tables, figures and cross-references throughout the document to reflect modern data sheet standards.....	1

4 Pin Configuration and Functions



J, N, or D package
16-Pin CDIP, PDIP, or SOIC
Top View

5 Specifications

5.1 Absolute Maximum Ratings⁽¹⁾

		MIN	MAX	UNIT
V _{CC}	Supply voltage	-0.5	7	V
I _{IK}	Input diode current	For V _I < -0.5 V or V _I > V _{CC} + 0.5 V		±20 mA
I _{OK}	Output diode current	For V _O < -0.5 V or V _O > V _{CC} + 0.5 V		±20 mA
I _O	Drain current, per output	For -0.5 V < V _O < V _{CC} + 0.5 V		±25 mA
I _O	Output source or sink current per output pin	For V _O > -0.5 V or V _O < V _{CC} + 0.5 V		±25 mA
Continuous current through V _{CC} or GND				±50 mA
T _J	Junction temperature			150 °C
T _{stg}	Storage temperature range	-65	150	°C
Lead temperature (Soldering 10s)(SOIC - lead tips only)				300 °C

- (1) Stresses beyond those listed under *absolute maximum ratings* may cause permanent damage to the device. These are stress ratings only and functional operation of the device at these or any other conditions beyond those indicated under *recommended operating conditions* is not implied. Exposure to absolute-maximum-rated conditions for extended periods may affect device reliability.

5.2 Recommended Operating Conditions

		MIN	MAX	UNIT	
V _{CC}	Supply voltage range	HC Types	2	6	V
		HCT Types	4.5	5.5	V
V _I , V _O	Input or output voltage	0	V _{CC}	V	
t _t	Input rise and fall time	2V	1000	ns	
		4.5V	500		
		6V	400		
T _A	Temperature range	-55	125	°C	

5.3 Thermal Information

THERMAL METRIC		D (SOIC)	N (PDIP)	UNIT
		16 PINS	16 PINS	
R _{θJA}	Junction-to-ambient thermal resistance ⁽¹⁾	73	67	°C/W

- (1) For more information about traditional and new thermal metrics, see the [Semiconductor and IC package thermal metrics](#) application report.

5.4 Electrical Characteristics

PARAMETER		TEST CONDITIONS ⁽²⁾	V _{CC} (V)	25°C			-40°C to 85°C		-55°C to 125°C		UNIT		
				MIN	TYP	MAX	MIN	MAX	MIN	MAX			
HC TYPES													
V _{IH}	High level input voltage		2	1.5			1.5		1.5		V		
			4.5	3.15			3.15		3.15		V		
			6	4.2			4.2		4.2		V		
V _{IL}	Low level input voltage		2	0.5			0.5		0.5		V		
			4.5	1.35			1.35		1.35		V		
			6	1.8			1.8		1.8		V		
V _{OH}	High level output voltage	I _{OH} = -20 μA	2	1.9			1.9		1.9		V		
		I _{OH} = -20 μA	4.5	4.4			4.4		4.4		V		
		I _{OH} = -20 μA	6	5.9			5.9		5.9		V		
	High level output voltage	I _{OH} = -4 mA	4.5	3.98			3.84		3.7		V		
		I _{OH} = -5.2 mA	6	5.48			5.34		5.2		V		
V _{OL}	Low level output voltage	I _{OL} = 20 μA	2	0.1			0.1		0.1		V		
		I _{OL} = 20 μA	4.5	0.1			0.1		0.1		V		
		I _{OL} = 20 μA	6	0.1			0.1		0.1		V		
	Low level output voltage	I _{OL} = 4 mA	4.5	0.26			0.33		0.4		V		
		I _{OL} = 5.2 mA	6	0.26			0.33		0.4		V		
I _I	Input leakage current	V _I = V _{CC} or GND	6	±0.1			±1		±1		μA		
I _{CC}	Supply current	V _I = V _{CC} or GND	6	8			80		160		μA		
HCT TYPES													
V _{IH}	High level input voltage		4.5 to 5.5	2			2		2		V		
V _{IL}	Low level input voltage		4.5 to 5.5	0.8			0.8		0.8		V		
V _{OH}	High level output voltage	I _{OH} = -20 μA	4.5	4.4			4.4		4.4		V		
	High level output voltage	I _{OH} = -4 mA	4.5	3.98			3.84		3.7		V		
V _{OL}	Low level output voltage	I _{OL} = 20 μA	4.5	0.1			0.1		0.1		V		
	Low level output voltage	I _{OL} = 4 mA	4.5	0.26			0.33		0.4		V		
I _I	Input leakage current	V _I = V _{CC} or GND	5.5	±0.1			±1		±1		μA		
I _{CC}	Supply current	V _I = V _{CC} or GND	5.5	8			80		160		μA		
ΔI _{CC} ⁽¹⁾	Additional supply current per input pin	DS, D0-D7 inputs held at V _{CC} - 2.1 V	4.5 to 5.5	100			72		90		98		
		PE input held at V _{CC} - 2.1 V	4.5 to 5.5	100			126		157.5		171.5		
		CP, CE inputs held at V _{CC} - 2.1 V	4.5 to 5.5	100			180			225		245	
		MR inputs held at V _{CC} - 2.1 V	4.5 to 5.5	100			72			90		98	

(1) For dual-supply systems theoretical worst case (V_I = 2.4 V, V_{CC} = 5.5 V) specification is 1.8 mA.

(2) $V_I = V_{IH}$ or V_{IL} , unless otherwise noted.

5.5 Prerequisite for Switching Characteristics

See (Parameter Measurement Information)

PARAMETER		V_{CC} (V)	25°C		-40°C to 85°C		-55°C to 125°C		UNIT
			MIN	MAX	MIN	MAX	MIN	MAX	
HC TYPES									
f_{MAX}	Clock frequency	2	6		5		4		MHz
		4.5	30		25		20		MHz
		6	35		29		23		MHz
t_w	\overline{MR} pulse width	2	100		125		150		ns
		4.5	20		25		30		ns
		6	17		21		26		ns
t_w	Clock pulse width	2	80		100		120		ns
		4.5	16		20		24		ns
		6	14		17		20		ns
t_{SU}	Set-up time Data and \overline{CE} to clock	2	80		100		120		ns
		4.5	16		20		24		ns
		6	14		17		20		ns
t_H	Hold time data to clock	2	1		1		1		ns
		4.5	1		1		1		ns
		6	1		1		1		ns
t_{REM}	Removal time \overline{MR} to clock	2	0		0		0		ns
		4.5	0		0		0		ns
		6	0		0		0		ns
t_{SU}	Set-up time \overline{PE} to CP	2	145		180		220		ns
		4.5	29		36		44		ns
		6	25		31		38		ns
t_H	Hold time \overline{PE} to CP or \overline{CE}	2	0		0		0		ns
		4.5	0		0		0		ns
		6	0		0		0		ns
HCT TYPES									
f_{MAX}	Clock frequency	4.5	25		20		16		MHz
t_w	\overline{MR} pulse width	4.5	35		44		53		ns
t_w	Clock pulse width	4.5	20		25		30		ns
t_{SU}	Set-up time data and \overline{CE} to clock	4.5	16		20		24		ns
t_H	Hold time data to clock	4.5	0		0		0		ns
t_{REM}	Removal time \overline{MR} to clock	4.5	0		0		0		ns
t_{SU}	Set-up time \overline{PE} to CP	4.5	30		38		45		ns
t_H	Hold time \overline{PE} to CP or \overline{CE}	4.5	0		0		0		ns

5.6 Switching Characteristics

Input t_r , t_f = 6 ns. Unless otherwise specified, C_L = 50pF. See (Parameter Measurement Information)

PARAMETER		V_{CC} (V)	25°C		-40°C to 85°C	-55°C to 125°C	UNIT
			TYP	MAX	MAX	MAX	
HC TYPES							
t_{pd}	Clock to output	2		160	200	240	ns
		4.5	13 ⁽³⁾	32	40	48	ns
		6		27	34	41	ns
t_t	Output transition time	2		75	95	110	ns
		4.5		15	19	22	ns
		6		13	16	19	ns
t_{PHL}	Propagation delay MR to output	2		160	200	240	ns
		4.5		32	40	48	ns
		6		27	34	41	ns
C_i	Input capacitance			10	10	10	pF
C_{PD}	Power dissipation capacitance ⁽¹⁾ (2)	5	41				pF
HCT TYPES							
t_{pd}	Clock to output	4.5		40	50	60	ns
t_t	Output transition time	4.5		15	19	22	ns
t_{PHL}	Propagation delay MR to output	4.5		40	50	60	ns
C_i	Input capacitance			10	10	10	pF

(1) C_{PD} is used to determine the dynamic power consumption, per gate.

(2) $P_D = C_{PD} V_{CC}^2 f_i + \Sigma (C_L V_{CC}^2 + f_o)$ where f_i = Input Frequency, f_o = Output Frequency, C_L = Output Load Capacitance, V_{CC} = Supply Voltage.

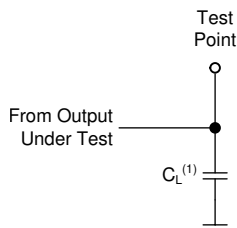
(3) $C_L = 15$ and $V_{CC} = 5$ V.

6 Parameter Measurement Information

Phase relationships between waveforms were chosen arbitrarily. All input pulses are supplied by generators having the following characteristics: $PRR \leq 1 \text{ MHz}$, $Z_O = 50 \Omega$, $t_t < 6 \text{ ns}$.

For clock inputs, f_{max} is measured when the input duty cycle is 50%.

The outputs are measured one at a time with one input transition per measurement.



(1) C_L includes probe and test-fixture capacitance.

Figure 6-1. Load Circuit for Push-Pull Outputs

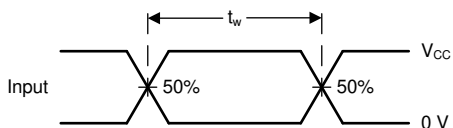


Figure 6-2. Voltage Waveforms, Standard CMOS Inputs Pulse Duration

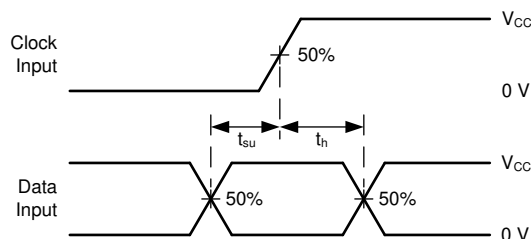
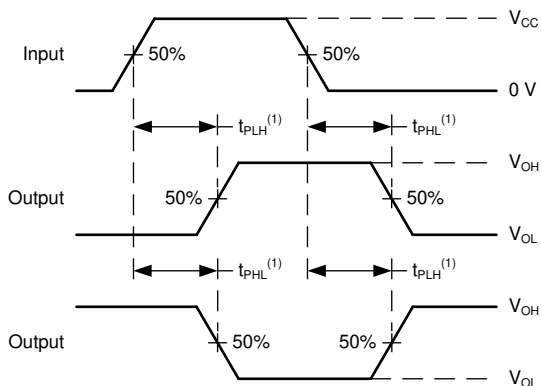
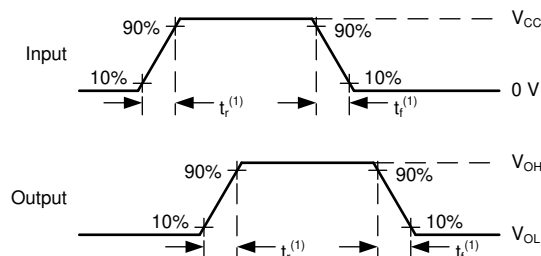


Figure 6-3. Voltage Waveforms, Standard CMOS Inputs Setup and Hold Times



(1) The greater between t_{PLH} and t_{PHL} is the same as t_{pd} .

Figure 6-4. Voltage Waveforms, Standard CMOS Inputs Setup Propagation Delays



(1) The greater between t_r and t_f is the same as t_t .

Figure 6-5. Voltage Waveforms, Input and Output Transition Times for Standard CMOS Input Devices

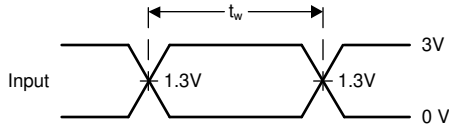


Figure 6-6. Voltage Waveforms, TTL-Compatible CMOS Inputs Pulse Duration

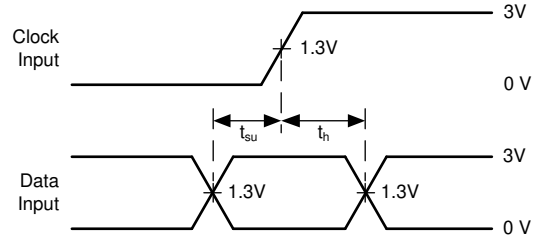
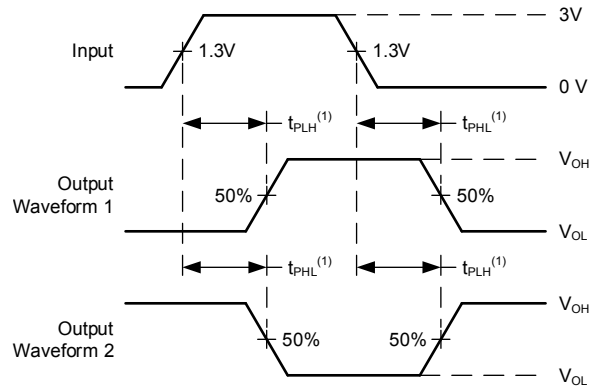


Figure 6-7. Voltage Waveforms, TTL-Compatible CMOS Inputs Setup and Hold Times



(1) The greater between t_{PLH} and t_{PHL} is the same as t_{pd} .

Figure 6-8. Voltage Waveforms, TTL-Compatible CMOS Inputs Propagation Delays

7 Detailed Description

7.1 Overview

The 'HC166 and 'HCT166 8-bit shift register is fabricated with silicon gate CMOS technology. It possesses the low power consumption of standard CMOS integrated circuits, and can operate at speeds comparable to the equivalent low power Schottky device.

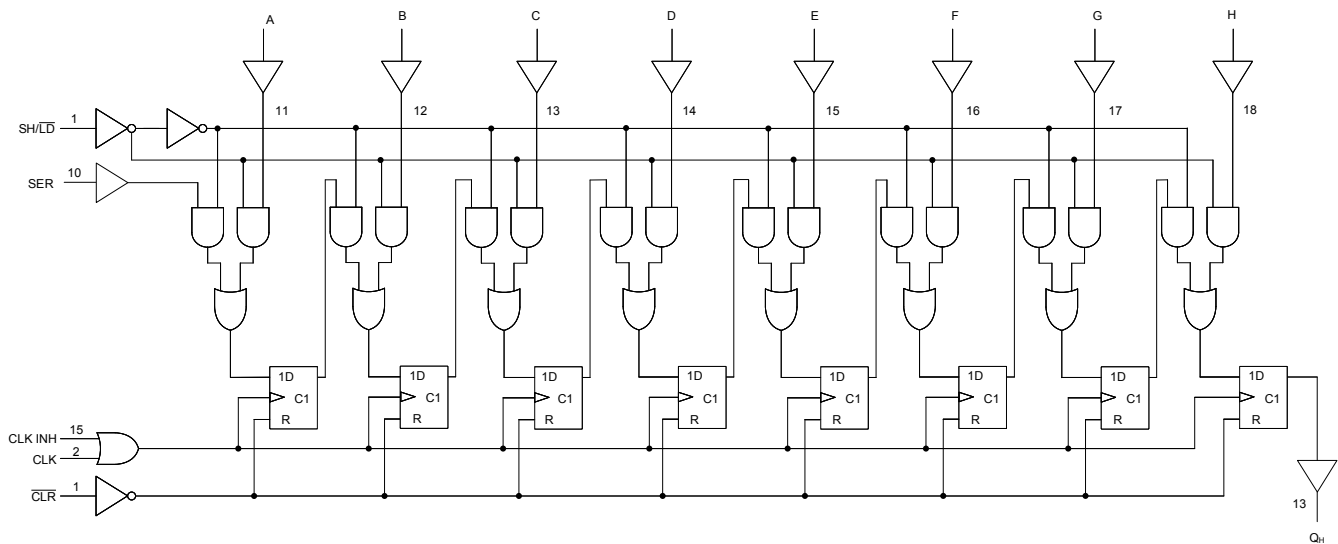
The 'HCT166 is functionally and pin compatible with the standard 'LS166.

The 166 is an 8-bit shift register that has fully synchronous serial or parallel data entry selected by an active LOW Parallel Enable (\overline{PE}) input. When the \overline{PE} is LOW one setup time before the LOW-to-HIGH clock transition, parallel data is entered into the register. When \overline{PE} is HIGH, data is entered into the internal bit position Q0 from Serial Data Input (DS), and the remaining bits are shifted one place to the right (Q0 → Q1 → Q2, etc.) with each positive-going clock transition. For expansion of the register in parallel to serial converters, the Q7 output is connected to the DS input of the succeeding stage.

The clock input is a gated OR structure which allows one input to be used as an active LOW Clock Enable (\overline{CE}) input. The pin assignment for the CP and \overline{CE} inputs is arbitrary and can be reversed for layout convenience. The LOW-to-HIGH transition of \overline{CE} input should only take place while the CP is HIGH for predictable operation.

A LOW on the Controller Reset (\overline{MR}) input overrides all other inputs and clears the register asynchronously, forcing all bit positions to a LOW state.

7.2 Functional Block Diagram



7.3 Device Functional Modes

Table 7-1. Truth Table⁽¹⁾

INPUTS						INTERNAL Q STATES		OUTPUT Q7
MASTER RESET	PARALLEL ENABLE	CLOCK ENABLE	CLOCK	SERIAL	PARALLEL	Q0	Q1	
					D0 D7			
L	X	X	X	X	X	L	L	L
H	X	L	L	X	X	Q00	Q10	Q0
H	L	L	↑	X	a...h	a	b	h
H	H	L	↑	H	X	H	Q0n	Q6n
H	H	L	↑	L	X	L	Q0n	Q6n
H	X	H	↑	X	X	Q00	Q10	Q70

- (1) H = High Voltage Level,
L = Low Voltage Level,
X = Don't Care,
↑ = Transition from Low to High Level,
a...h = The level of steady-state input at inputs D0 thru D7, respectively,
Q00, Q10, Q70 = The level of Q0, Q1, or Q7, respectively, before the indicated steady-state input conditions were established
Q0n, Q6n = The level of Q0 or Q6, respectively, before the most recent ↑ transition of the clock.

8 Power Supply Recommendations

The power supply can be any voltage between the minimum and maximum supply voltage rating located in the *Recommended Operating Conditions*. Each V_{CC} terminal should have a good bypass capacitor to prevent power disturbance. A 0.1- μ F capacitor is recommended for this device. It is acceptable to parallel multiple bypass caps to reject different frequencies of noise. The 0.1- μ F and 1- μ F capacitors are commonly used in parallel. The bypass capacitor should be installed as close to the power terminal as possible for best results.

9 Layout

9.1 Layout Guidelines

When using multiple-input and multiple-channel logic devices inputs must not ever be left floating. In many cases, functions or parts of functions of digital logic devices are unused; for example, when only two inputs of a triple-input AND gate are used or only 3 of the 4 buffer gates are used. Such unused input pins must not be left unconnected because the undefined voltages at the outside connections result in undefined operational states. All unused inputs of digital logic devices must be connected to a logic high or logic low voltage, as defined by the input voltage specifications, to prevent them from floating. The logic level that must be applied to any particular unused input depends on the function of the device. Generally, the inputs are tied to GND or V_{CC} , whichever makes more sense for the logic function or is more convenient.

10 Device and Documentation Support

TI offers an extensive line of development tools. Tools and software to evaluate the performance of the device, generate code, and develop solutions are listed below.

10.1 Receiving Notification of Documentation Updates

To receive notification of documentation updates, navigate to the device product folder on ti.com. Click on *Subscribe to updates* to register and receive a weekly digest of any product information that has changed. For change details, review the revision history included in any revised document.

10.2 Support Resources

[TI E2E™ support forums](#) are an engineer's go-to source for fast, verified answers and design help — straight from the experts. Search existing answers or ask your own question to get the quick design help you need.

Linked content is provided "AS IS" by the respective contributors. They do not constitute TI specifications and do not necessarily reflect TI's views; see TI's [Terms of Use](#).

10.3 Trademarks

TI E2E™ is a trademark of Texas Instruments.

All trademarks are the property of their respective owners.

10.4 Electrostatic Discharge Caution



This integrated circuit can be damaged by ESD. Texas Instruments recommends that all integrated circuits be handled with appropriate precautions. Failure to observe proper handling and installation procedures can cause damage.

ESD damage can range from subtle performance degradation to complete device failure. Precision integrated circuits may be more susceptible to damage because very small parametric changes could cause the device not to meet its published specifications.

10.5 Glossary

[TI Glossary](#) This glossary lists and explains terms, acronyms, and definitions.

11 Mechanical, Packaging, and Orderable Information

The following pages include mechanical, packaging, and orderable information. This information is the most current data available for the designated devices. This data is subject to change without notice and revision of this document. For browser-based versions of this data sheet, refer to the left-hand navigation.

PACKAGING INFORMATION

Orderable Device	Status (1)	Package Type	Package Drawing	Pins	Package Qty	Eco Plan (2)	Lead finish/ Ball material (6)	MSL Peak Temp (3)	Op Temp (°C)	Device Marking (4/5)	Samples
CD54HC166F3A	ACTIVE	CDIP	J	16	25	Non-RoHS & Green	SNPB	N / A for Pkg Type	-55 to 125	CD54HC166F3A	Samples
CD54HCT166F3A	ACTIVE	CDIP	J	16	25	Non-RoHS & Green	SNPB	N / A for Pkg Type	-55 to 125	CD54HCT166F3A	Samples
CD74HC166E	ACTIVE	PDIP	N	16	25	RoHS & Green	NIPDAU	N / A for Pkg Type	-55 to 125	CD74HC166E	Samples
CD74HC166M96	ACTIVE	SOIC	D	16	2500	RoHS & Green	NIPDAU SN	Level-1-260C-UNLIM	-55 to 125	HC166M	Samples
CD74HCT166E	ACTIVE	PDIP	N	16	25	RoHS & Green	NIPDAU	N / A for Pkg Type	-55 to 125	CD74HCT166E	Samples
CD74HCT166EE4	ACTIVE	PDIP	N	16	25	RoHS & Green	NIPDAU	N / A for Pkg Type	-55 to 125	CD74HCT166E	Samples
CD74HCT166M96	ACTIVE	SOIC	D	16	2500	RoHS & Green	NIPDAU SN	Level-1-260C-UNLIM	-55 to 125	HCT166M	Samples

(1) The marketing status values are defined as follows:

ACTIVE: Product device recommended for new designs.

LIFEBUY: TI has announced that the device will be discontinued, and a lifetime-buy period is in effect.

NRND: Not recommended for new designs. Device is in production to support existing customers, but TI does not recommend using this part in a new design.

PREVIEW: Device has been announced but is not in production. Samples may or may not be available.

OBSELETE: TI has discontinued the production of the device.

(2) **RoHS:** TI defines "RoHS" to mean semiconductor products that are compliant with the current EU RoHS requirements for all 10 RoHS substances, including the requirement that RoHS substance do not exceed 0.1% by weight in homogeneous materials. Where designed to be soldered at high temperatures, "RoHS" products are suitable for use in specified lead-free processes. TI may reference these types of products as "Pb-Free".

RoHS Exempt: TI defines "RoHS Exempt" to mean products that contain lead but are compliant with EU RoHS pursuant to a specific EU RoHS exemption.

Green: TI defines "Green" to mean the content of Chlorine (Cl) and Bromine (Br) based flame retardants meet JS709B low halogen requirements of <=1000ppm threshold. Antimony trioxide based flame retardants must also meet the <=1000ppm threshold requirement.

(3) MSL, Peak Temp. - The Moisture Sensitivity Level rating according to the JEDEC industry standard classifications, and peak solder temperature.

(4) There may be additional marking, which relates to the logo, the lot trace code information, or the environmental category on the device.

(5) Multiple Device Markings will be inside parentheses. Only one Device Marking contained in parentheses and separated by a "~" will appear on a device. If a line is indented then it is a continuation of the previous line and the two combined represent the entire Device Marking for that device.

(6) Lead finish/Ball material - Orderable Devices may have multiple material finish options. Finish options are separated by a vertical ruled line. Lead finish/Ball material values may wrap to two lines if the finish value exceeds the maximum column width.

Important Information and Disclaimer:The information provided on this page represents TI's knowledge and belief as of the date that it is provided. TI bases its knowledge and belief on information provided by third parties, and makes no representation or warranty as to the accuracy of such information. Efforts are underway to better integrate information from third parties. TI has taken and continues to take reasonable steps to provide representative and accurate information but may not have conducted destructive testing or chemical analysis on incoming materials and chemicals. TI and TI suppliers consider certain information to be proprietary, and thus CAS numbers and other limited information may not be available for release.

In no event shall TI's liability arising out of such information exceed the total purchase price of the TI part(s) at issue in this document sold by TI to Customer on an annual basis.

OTHER QUALIFIED VERSIONS OF CD54HC166, CD54HCT166, CD74HC166, CD74HCT166 :

- Catalog : [CD74HC166](#), [CD74HCT166](#)
- Military : [CD54HC166](#), [CD54HCT166](#)

NOTE: Qualified Version Definitions:

- Catalog - TI's standard catalog product
- Military - QML certified for Military and Defense Applications

TAPE AND REEL INFORMATION

QUADRANT ASSIGNMENTS FOR PIN 1 ORIENTATION IN TAPE


*All dimensions are nominal

Device	Package Type	Package Drawing	Pins	SPQ	Reel Diameter (mm)	Reel Width W1 (mm)	A0 (mm)	B0 (mm)	K0 (mm)	P1 (mm)	W (mm)	Pin1 Quadrant
CD74HC166M96	SOIC	D	16	2500	330.0	16.4	6.6	9.3	2.1	8.0	16.0	Q1
CD74HC166M96	SOIC	D	16	2500	330.0	16.4	6.5	10.3	2.1	8.0	16.0	Q1
CD74HCT166M96	SOIC	D	16	2500	330.0	16.4	6.5	10.3	2.1	8.0	16.0	Q1

TAPE AND REEL BOX DIMENSIONS


*All dimensions are nominal

Device	Package Type	Package Drawing	Pins	SPQ	Length (mm)	Width (mm)	Height (mm)
CD74HC166M96	SOIC	D	16	2500	366.0	364.0	50.0
CD74HC166M96	SOIC	D	16	2500	356.0	356.0	35.0
CD74HCT166M96	SOIC	D	16	2500	356.0	356.0	35.0

TUBE


*All dimensions are nominal

Device	Package Name	Package Type	Pins	SPQ	L (mm)	W (mm)	T (μm)	B (mm)
CD74HC166E	N	PDIP	16	25	506	13.97	11230	4.32
CD74HC166E	N	PDIP	16	25	506	13.97	11230	4.32
CD74HCT166E	N	PDIP	16	25	506	13.97	11230	4.32
CD74HCT166E	N	PDIP	16	25	506	13.97	11230	4.32
CD74HCT166EE4	N	PDIP	16	25	506	13.97	11230	4.32
CD74HCT166EE4	N	PDIP	16	25	506	13.97	11230	4.32

D (R-PDSO-G16)

PLASTIC SMALL OUTLINE



- NOTES:
- A. All linear dimensions are in inches (millimeters).
 - B. This drawing is subject to change without notice.
 - C. Body length does not include mold flash, protrusions, or gate burrs. Mold flash, protrusions, or gate burrs shall not exceed 0.006 (0,15) each side.
 - D. Body width does not include interlead flash. Interlead flash shall not exceed 0.017 (0,43) each side.
 - E. Reference JEDEC MS-012 variation AC.

J (R-GDIP-T**)

14 LEADS SHOWN

CERAMIC DUAL IN-LINE PACKAGE



DIM \ PINS **	14	16	18	20
A	0.300 (7,62) BSC	0.300 (7,62) BSC	0.300 (7,62) BSC	0.300 (7,62) BSC
B MAX	0.785 (19,94)	.840 (21,34)	0.960 (24,38)	1.060 (26,92)
B MIN	—	—	—	—
C MAX	0.300 (7,62)	0.300 (7,62)	0.310 (7,87)	0.300 (7,62)
C MIN	0.245 (6,22)	0.245 (6,22)	0.220 (5,59)	0.245 (6,22)



4040083/F 03/03

- NOTES:
- All linear dimensions are in inches (millimeters).
 - This drawing is subject to change without notice.
 - This package is hermetically sealed with a ceramic lid using glass frit.
 - Index point is provided on cap for terminal identification only on press ceramic glass frit seal only.
 - Falls within MIL STD 1835 GDIP1-T14, GDIP1-T16, GDIP1-T18 and GDIP1-T20.

N (R-PDIP-T**)

PLASTIC DUAL-IN-LINE PACKAGE

16 PINS SHOWN



4040049/E 12/2002

- NOTES:
- A. All linear dimensions are in inches (millimeters).
 - B. This drawing is subject to change without notice.
 - (C) Falls within JEDEC MS-001, except 18 and 20 pin minimum body length (Dim A).
 - (D) The 20 pin end lead shoulder width is a vendor option, either half or full width.

IMPORTANT NOTICE AND DISCLAIMER

TI PROVIDES TECHNICAL AND RELIABILITY DATA (INCLUDING DATA SHEETS), DESIGN RESOURCES (INCLUDING REFERENCE DESIGNS), APPLICATION OR OTHER DESIGN ADVICE, WEB TOOLS, SAFETY INFORMATION, AND OTHER RESOURCES "AS IS" AND WITH ALL FAULTS, AND DISCLAIMS ALL WARRANTIES, EXPRESS AND IMPLIED, INCLUDING WITHOUT LIMITATION ANY IMPLIED WARRANTIES OF MERCHANTABILITY, FITNESS FOR A PARTICULAR PURPOSE OR NON-INFRINGEMENT OF THIRD PARTY INTELLECTUAL PROPERTY RIGHTS.

These resources are intended for skilled developers designing with TI products. You are solely responsible for (1) selecting the appropriate TI products for your application, (2) designing, validating and testing your application, and (3) ensuring your application meets applicable standards, and any other safety, security, regulatory or other requirements.

These resources are subject to change without notice. TI grants you permission to use these resources only for development of an application that uses the TI products described in the resource. Other reproduction and display of these resources is prohibited. No license is granted to any other TI intellectual property right or to any third party intellectual property right. TI disclaims responsibility for, and you will fully indemnify TI and its representatives against, any claims, damages, costs, losses, and liabilities arising out of your use of these resources.

TI's products are provided subject to [TI's Terms of Sale](#) or other applicable terms available either on [ti.com](https://www.ti.com) or provided in conjunction with such TI products. TI's provision of these resources does not expand or otherwise alter TI's applicable warranties or warranty disclaimers for TI products.

TI objects to and rejects any additional or different terms you may have proposed.

Mailing Address: Texas Instruments, Post Office Box 655303, Dallas, Texas 75265
Copyright © 2024, Texas Instruments Incorporated

Looking for pricing, stock, or lifecycle information?

Click below to explore more details on WIN SOURCE:

- ⊖ [View CD74HC166M](#) on WIN SOURCE
- ⊖ [Texas Instruments](#) Information

Optimize Your Supply Chain with WIN SOURCE Solutions

- ✓ Global Sourcing Solution
- ✓ Obsolete Management
- ✓ Cost Control Management
- ✓ Shortage Management
- ✓ Alternative Solution
- ✓ Excess Inventory Management