



# THE DATASHEET OF CD4052BPWR



# CD405xB CMOS Single 8-Channel Analog Multiplexer/Demultiplexer With Logic-Level Conversion

## 1 Features

- Wide Range of Digital and Analog Signal Levels
  - Digital: 3 V to 20 V
  - Analog:  $\leq 20 V_{P-P}$
- Low ON Resistance, 125  $\Omega$  (Typical) Over 15  $V_{P-P}$  Signal Input Range for  $V_{DD} - V_{EE} = 18 V$
- High OFF Resistance, Channel Leakage of  $\pm 100$  pA (Typical) at  $V_{DD} - V_{EE} = 18 V$
- Logic-Level Conversion for Digital Addressing Signals of 3 V to 20 V ( $V_{DD} - V_{SS} = 3 V$  to 20 V) to Switch Analog Signals to 20  $V_{P-P}$  ( $V_{DD} - V_{EE} = 20 V$ ) Matched Switch Characteristics,  $r_{ON} = 5 \Omega$  (Typical) for  $V_{DD} - V_{EE} = 15 V$  Very Low Quiescent Power Dissipation Under All Digital-Control Input and Supply Conditions, 0.2  $\mu W$  (Typical) at  $V_{DD} - V_{SS} = V_{DD} - V_{EE} = 10 V$
- Binary Address Decoding on Chip
- 5 V, 10 V, and 15 V Parametric Ratings
- 100% Tested for Quiescent Current at 20 V
- Maximum Input Current of 1  $\mu A$  at 18 V Over Full Package Temperature Range, 100 nA at 18 V and 25°C
- Break-Before-Make Switching Eliminates Channel Overlap

## 2 Applications

- Analog and Digital Multiplexing and Demultiplexing
- A/D and D/A Conversion
- Signal Gating
- Factory Automation
- Televisions
- Appliances
- Consumer Audio
- Programmable Logic Circuits
- Sensors

## 3 Description

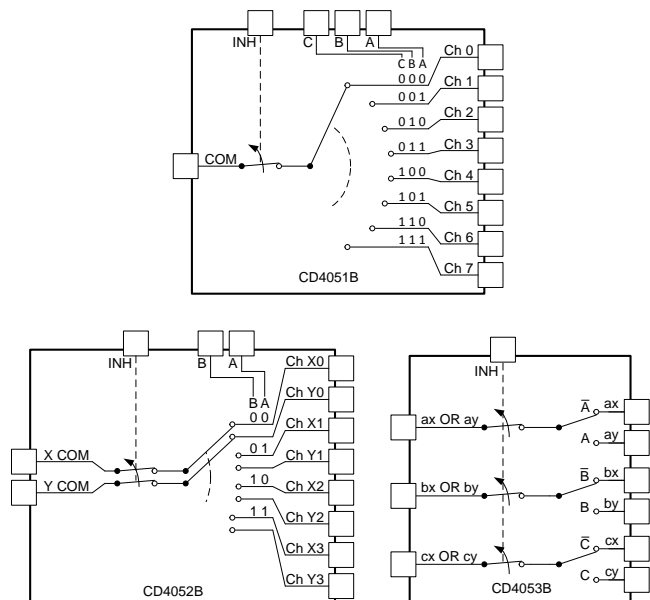
The CD405xB analog multiplexers and demultiplexers are digitally-controlled analog switches having low ON impedance and very low OFF leakage current. These multiplexer circuits dissipate extremely low quiescent power over the full  $V_{DD} - V_{SS}$  and  $V_{DD} - V_{EE}$  supply-voltage ranges, independent of the logic state of the control signals.

### Device Information<sup>(1)</sup>

| PART NUMBER | PACKAGE    | BODY SIZE (NOM)    |
|-------------|------------|--------------------|
| CD405xB     | CDIP (16)  | 19.50 mm x 6.92 mm |
|             | PDIP (16)  | 19.30 mm x 6.35 mm |
|             | SOIC (16)  | 9.90 mm x 3.91 mm  |
|             | SOP (16)   | 10.30 mm x 5.30 mm |
|             | TSSOP (16) | 5.00 mm x 4.40 mm  |

(1) For all available packages, see the orderable addendum at the end of the data sheet.

### Functional Diagrams of CD405xB



## Table of Contents

|   |  |
|---|--|
| <b>1 Features</b> ..... 1<br><b>2 Applications</b> ..... 1<br><b>3 Description</b> ..... 1<br><b>4 Revision History</b> ..... 2<br><b>5 Pin Configuration and Functions</b> ..... 3<br><b>6 Specifications</b> ..... 5<br>6.1 Absolute Maximum Ratings ..... 5<br>6.2 ESD Ratings ..... 5<br>6.3 Recommended Operating Conditions ..... 5<br>6.4 Thermal Information ..... 5<br>6.5 Electrical Characteristics ..... 6<br>6.6 AC Performance Characteristics ..... 8<br>6.7 Typical Characteristics ..... 9<br><b>7 Parameter Measurement Information</b> ..... 11<br><b>8 Detailed Description</b> ..... 15<br>8.1 Overview ..... 15<br>8.2 Functional Block Diagrams ..... 15 | 8.3 Feature Description ..... 17<br>8.4 Device Functional Modes ..... 17<br><b>9 Application and Implementation</b> ..... 18<br>9.1 Application Information ..... 18<br>9.2 Typical Application ..... 18<br><b>10 Power Supply Recommendations</b> ..... 19<br><b>11 Layout</b> ..... 20<br>11.1 Layout Guidelines ..... 20<br>11.2 Layout Example ..... 20<br><b>12 Device and Documentation Support</b> ..... 21<br>12.1 Documentation Support ..... 21<br>12.2 Related Links ..... 21<br>12.3 Trademarks ..... 21<br>12.4 Electrostatic Discharge Caution ..... 21<br>12.5 Glossary ..... 21<br><b>13 Mechanical, Packaging, and Orderable Information</b> ..... 21 |
|---|--|

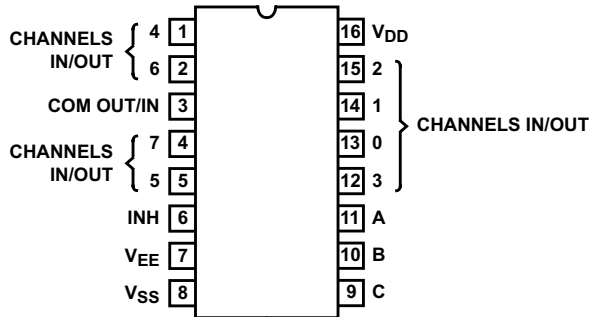
## 4 Revision History

| Changes from Revision H (April 2015) to Revision I                                       | Page |
|--|------|
| • Added: ON Channel Leakage Current to the <i>Electrical Characteristics</i> table ..... | 6    |
| • Added Note 3 to the <i>Electrical Characteristics</i> table .....                      | 6    |
| • Added <a href="#">Figure 13</a> .....  | 12   |

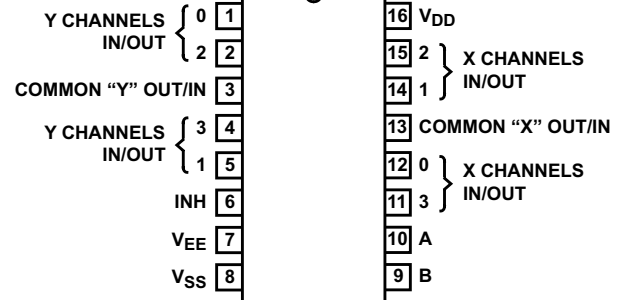
| Changes from Revision G (October 2003) to Revision H   | Page |
|--|------|
| • Added <i>Pin Configuration and Functions</i> section, <i>ESD Ratings</i> table, <i>Feature Description</i> section, <i>Device Functional Modes</i> , <i>Application and Implementation</i> section, <i>Power Supply Recommendations</i> section, <i>Layout</i> section, <i>Device and Documentation Support</i> section, and <i>Mechanical, Packaging, and Orderable Information</i> section ..... | 1    |
| • Added <i>Device Information</i> table. ....  | 1    |

## 5 Pin Configuration and Functions

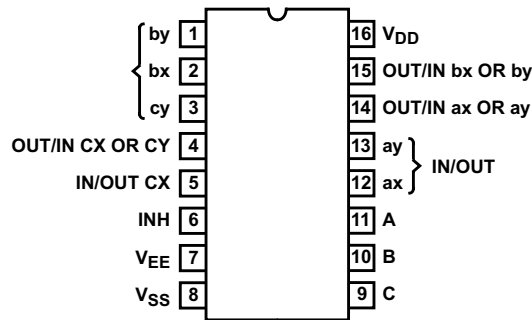
CD4051B E, M, NS, and PW Package  
16-Pin PDIP, CDIP, SOIC, SOP, and TSSOP  
(Top View)



CD4052B E, M, NS, and PW Package  
16-Pin PDIP, CDIP, SOP, and TSSOP  
(Top View)



CD4053B E, M, NS, and PW Package  
16-Pin PDIP, CDIP, SOP, and TSSOP  
(Top View)



### Pin Functions CD4051B

| PIN |                 | I/O | DESCRIPTION  |
|-----|-----------------|-----|--|
| NO. | NAME            |     |  |
| 1   | CH 4 IN/OUT     | I/O | Channel 4 in/out                                     |
| 2   | CH 6 IN/OUT     | I/O | Channel 6 in/out                                     |
| 3   | COM OUT/IN      | I/O | Common out/in  |
| 4   | CH 7 IN/OUT     | I/O | Channel 7 in/out                                     |
| 5   | CH 5 IN/OUT     | I/O | Channel 5 in/out                                     |
| 6   | INH             | I   | Disables all channels. See <a href="#">Table 1</a> . |
| 7   | V <sub>EE</sub> | —   | Negative power input                                 |
| 8   | V <sub>SS</sub> | —   | Ground   |
| 9   | C               | I   | Channel select C. See <a href="#">Table 1</a> .      |
| 10  | B               | I   | Channel select B. See <a href="#">Table 1</a> .      |
| 11  | A               | I   | Channel select A. See <a href="#">Table 1</a> .      |
| 12  | CH 3 IN/OUT     | I/O | Channel 3 in/out                                     |
| 13  | CH 0 IN/OUT     | I/O | Channel 0 in/out                                     |
| 14  | CH 1 IN/OUT     | I/O | Channel 1 in/out                                     |
| 15  | CH 2 IN/OUT     | I/O | Channel 2 in/out                                     |
| 16  | V <sub>DD</sub> | —   | Positive power input                                 |

**Pin Functions CD4052B**

| PIN |                 | I/O | DESCRIPTION  |
|-----|-----------------|-----|--|
| NO. | NAME            |     |  |
| 1   | Y CH 0 IN/OUT   | I/O | Channel Y0 in/out                                    |
| 2   | Y CH 2 IN/OUT   | I/O | Channel Y2 in/out                                    |
| 3   | Y COM OUT/IN    | I/O | Y common out/in                                      |
| 4   | Y CH 3 IN/OUT   | I/O | Channel Y3 in/out                                    |
| 5   | Y CH 1 IN/OUT   | I/O | Channel Y1 in/out                                    |
| 6   | INH             | I   | Disables all channels. See <a href="#">Table 1</a> . |
| 7   | V <sub>EE</sub> | —   | Negative power input                                 |
| 8   | V <sub>SS</sub> | —   | Ground   |
| 9   | B               | I   | Channel select B. See <a href="#">Table 1</a> .      |
| 10  | A               | I   | Channel select A. See <a href="#">Table 1</a> .      |
| 11  | X CH 3 IN/OUT   | I/O | Channel X3 in/out                                    |
| 12  | X CH 0 IN/OUT   | I/O | Channel X0 in/out                                    |
| 13  | X COM IN/OUT    | I/O | X common out/in                                      |
| 14  | X CH 1 IN/OUT   | I/O | Channel in/out                                       |
| 15  | X CH 2 IN/OUT   | I/O | Channel in/out                                       |
| 16  | V <sub>DD</sub> | —   | Positive power input                                 |

**Pin Functions CD4053B**

| PIN |                    | I/O | DESCRIPTION  |
|-----|--------------------|-----|--|
| NO. | NAME               |     |  |
| 1   | BY IN/OUT          | I/O | B channel Y in/out                                   |
| 2   | BX IN/OUT          | I/O | B channel X in/out                                   |
| 3   | CY IN/OUT          | I/O | C channel Y in/out                                   |
| 4   | CX OR CY<br>OUT/IN | I/O | C common out/in                                      |
| 5   | CX IN/OUT          | I/O | C channel X in/out                                   |
| 6   | INH                | I   | Disables all channels. See <a href="#">Table 1</a> . |
| 7   | V <sub>EE</sub>    | —   | Negative power input                                 |
| 8   | V <sub>SS</sub>    | —   | Ground   |
| 9   | C                  | I   | Channel select C. See <a href="#">Table 1</a> .      |
| 10  | B                  | I   | Channel select B. See <a href="#">Table 1</a> .      |
| 11  | A                  | I   | Channel select A. See <a href="#">Table 1</a> .      |
| 12  | AX IN/OUT          | I/O | A channel X in/out                                   |
| 13  | AY IN/OUT          | I/O | A channel Y in/out                                   |
| 14  | AX OR AY<br>OUT/IN | I/O | A common out/in                                      |
| 15  | BX OR BY<br>OUT/IN | I/O | B common out/in                                      |
| 16  | V <sub>DD</sub>    | —   | Positive power input                                 |

## 6 Specifications

### 6.1 Absolute Maximum Ratings

over operating free-air temperature range (unless otherwise noted)<sup>(1)</sup>

|                    |  | MIN  | MAX                   | UNIT |
|--------------------|--|------|-----------------------|------|
| Supply Voltage     | V+ to V-, Voltages Referenced to V <sub>SS</sub> Terminal      | -0.5 | 20                    | V    |
| DC Input Voltage   |  | -0.5 | V <sub>DD</sub> + 0.5 | V    |
| DC Input Current   | Any One Input  | -10  | 10                    | mA   |
| T <sub>JMAX1</sub> | Maximum junction temperature, ceramic package                  |      | 175                   | °C   |
| T <sub>JMAX2</sub> | Maximum junction temperature, plastic package                  |      | 150                   | °C   |
| T <sub>LMAX</sub>  | Maximum lead temperature, SOIC - Lead Tips Only, Soldering 10s |      | 265                   | °C   |
| T <sub>stg</sub>   | Storage temperature  | -65  | 150                   | °C   |

- (1) Stresses beyond those listed under *Absolute Maximum Ratings* may cause permanent damage to the device. These are stress ratings only, which do not imply functional operation of the device at these or any other conditions beyond those indicated under *Recommended Operating Conditions*. Exposure to absolute-maximum-rated conditions for extended periods may affect device reliability.

### 6.2 ESD Ratings

|  |                         | VALUE  | UNIT  |
|--|-------------------------|--|-------|
| CD4051B in PDIP, CDIP, SOIC, SOP, TSSOP Packages |                         |  |       |
| V <sub>(ESD)</sub>                               | Electrostatic discharge | Human-body model (HBM), per ANSI/ESDA/JEDEC JS-001 <sup>(1)</sup>              | +3000 |
|  |                         | Charged-device model (CDM), per JEDEC specification JESD22-C101 <sup>(2)</sup> | +2000 |
| CD4053B in PDIP, CDIP, SOP and TSSOP Packages    |                         |  |       |
| V <sub>(ESD)</sub>                               | Electrostatic discharge | Human-body model (HBM), per ANSI/ESDA/JEDEC JS-001 <sup>(1)</sup>              | +2500 |
|  |                         | Charged-device model (CDM), per JEDEC specification JESD22-C101 <sup>(2)</sup> | +1500 |

- (1) JEDEC document JEP155 states that 500-V HBM allows safe manufacturing with a standard ESD control process.

- (2) JEDEC document JEP157 states that 250-V CDM allows safe manufacturing with a standard ESD control process.

### 6.3 Recommended Operating Conditions

over operating free-air temperature range (unless otherwise noted)

|                   | MIN | MAX | UNIT |
|-------------------|-----|-----|------|
| Temperature Range | -55 | 125 | °C   |

### 6.4 Thermal Information

| THERMAL METRIC <sup>(1)</sup> | CD405xB                                |          |          |            | UNIT |      |
|-------------------------------|--|----------|----------|------------|------|------|
|                               | E (PDIP)                               | M (SOIC) | NS (SOP) | PW (TSSOP) |      |      |
|                               | 16 PINS                                | 16 PINS  | 16 PINS  | 16 PINS    |      |      |
| R <sub>θJA</sub>              | Junction-to-ambient thermal resistance | 67       | 73       | 64         | 108  | °C/W |

- (1) For more information about traditional and new thermal metrics, see the [Semiconductor and IC Package Thermal Metrics](#) application report.

## 6.5 Electrical Characteristics

 over operating free-air temperature range,  $V_{\text{SUPPLY}} = \pm 5 \text{ V}$ , and  $R_L = 100 \ \Omega$ , (unless otherwise noted)<sup>(1)</sup>

| PARAMETER   | TEST CONDITIONS                |                     |                     |                     |       | MIN        | TYP  | MAX                     | UNIT          |        |
|---|--------------------------------|---------------------|---------------------|---------------------|-------|------------|------|-------------------------|---------------|--------|
|   | $V_{\text{IS}}$ (V)            | $V_{\text{EE}}$ (V) | $V_{\text{SS}}$ (V) | $V_{\text{DD}}$ (V) | TEMP  |            |      |                         |               |        |
| <b>SIGNAL INPUTS (<math>V_{\text{IS}}</math>) AND OUTPUTS (<math>V_{\text{OS}}</math>)</b>      |                                |                     |                     |                     |       |            |      |                         |               |        |
| Quiescent Device Current, $I_{\text{DD}}$ Max   | 5                              |                     |                     |                     | -55°C |            |      | 5                       | $\mu\text{A}$ |        |
|   |                                |                     |                     |                     | -40°C |            |      | 5                       |               |        |
|   |                                |                     |                     |                     | 25°C  | 0.04       |      | 5                       |               |        |
|   |                                |                     |                     |                     | 85°C  |            |      | 150                     |               |        |
|   |                                |                     |                     |                     | 125°C |            |      | 150                     |               |        |
|   | 10                             |                     |                     |                     |       | -55°C      |      |                         |               | 10     |
|   |                                |                     |                     |                     |       | -40°C      |      |                         |               | 10     |
|   |                                |                     |                     |                     |       | 25°C       | 0.04 |                         |               | 10     |
|   |                                |                     |                     |                     |       | 85°C       |      |                         |               | 300    |
|   |                                |                     |                     |                     |       | 125°C      |      |                         |               | 300    |
|   | 15                             |                     |                     |                     |       | -55°C      |      |                         |               | 20     |
|   |                                |                     |                     |                     |       | -40°C      |      |                         |               | 20     |
|   |                                |                     |                     |                     |       | 25°C       | 0.04 |                         |               | 20     |
|   |                                |                     |                     |                     |       | 85°C       |      |                         |               | 600    |
|   |                                |                     |                     |                     |       | 125°C      |      |                         |               | 600    |
|   | 20                             |                     |                     |                     |       | -55°C      |      |                         |               | 100    |
|   |                                |                     |                     |                     |       | -40°C      |      |                         |               | 100    |
|   |                                |                     |                     |                     |       | 25°C       | 0.08 |                         |               | 100    |
|   |                                |                     |                     |                     |       | 85°C       |      |                         |               | 3000   |
|   |                                |                     |                     |                     |       | 125°C      |      |                         |               | 3000   |
| Drain to Source ON Resistance $r_{\text{ON}}$ Max<br>$0 \leq V_{\text{IS}} \leq V_{\text{DD}}$  | 5                              | 0                   | 0                   |                     | -55°C |            |      | 800                     | $\Omega$      |        |
|   |                                |                     |                     |                     | -40°C |            |      | 850                     |               |        |
|   |                                |                     |                     |                     | 25°C  | 470        |      | 1050                    |               |        |
|   |                                |                     |                     |                     | 85°C  |            |      | 1200                    |               |        |
|   |                                |                     |                     |                     | 125°C |            |      | 1300                    |               |        |
|   | 10                             | 0                   | 0                   |                     |       | -55°C      |      |                         |               | 310    |
|   |                                |                     |                     |                     |       | -40°C      |      |                         |               | 300    |
|   |                                |                     |                     |                     |       | 25°C       | 180  |                         |               | 400    |
|   |                                |                     |                     |                     |       | 85°C       |      |                         |               | 520    |
|   | 15                             | 0                   | 0                   |                     |       | -55°C      |      |                         |               | 200    |
|   |                                |                     |                     |                     |       | -40°C      |      |                         |               | 210    |
|   |                                |                     |                     |                     |       | 25°C       | 125  |                         |               | 240    |
| 85°C  |                                |                     |                     |                     |       |            |      | 300                     |               |        |
| Change in ON Resistance<br>(Between Any Two Channels),<br>$\Delta r_{\text{ON}}$                | 5                              | 0                   | 0                   |                     | 25°C  |            |      | 15                      | $\Omega$      |        |
|   |                                |                     |                     |                     |       |            |      | 10                      |               | 10     |
|   |                                |                     |                     |                     |       |            |      | 15                      |               | 5      |
| OFF Channel Leakage Current: Any Channel OFF (Max)<br>or ALL Channels OFF (Common OUT/IN) (Max) | 18                             | 0                   | 0                   |                     | -55°C |            |      | $\pm 100$               | nA            |        |
|   |                                |                     |                     |                     | -40°C |            |      |                         |               |        |
|   |                                |                     |                     |                     | 25°C  | $\pm 0.01$ |      | $\pm 100^{(2)}$         |               |        |
|   |                                |                     |                     |                     | 85°C  |            |      | $\pm 1000^{(2)}$        |               |        |
|   |                                |                     |                     |                     | 125°C |            |      |                         |               |        |
| ON Channel Leakage Current: Any Channel ON (Max) or<br>ALL Channels ON (Common OUT/IN) (Max)    | 5 or 0                         | -5                  | 0                   | 10.5                | 85°C  |            |      | $\pm 300^{(3)}$         | nA            |        |
|   | 5                              | 0                   | 0                   | 18                  | 85°C  |            |      | $\pm 300^{(3)}$         |               |        |
| Capacitance   | Input, $C_{\text{IS}}$         |                     |                     |                     | 25°C  |            |      | 5                       | pF            |        |
|   |                                |                     |                     |                     |       |            |      | Output, $C_{\text{OS}}$ |               | CD4051 |
|   | CD4052                         |                     |                     |                     |       |            |      |                         |               | 18     |
|   | CD4053                         |                     |                     |                     |       |            |      |                         |               | 9      |
|   | Feed through, $C_{\text{IOS}}$ |                     |                     |                     |       |            |      |                         |               | 0.2    |

 (1) Peak-to-Peak voltage symmetrical about  $(V_{\text{DD}} - V_{\text{EE}}) / 2$ .

(2) Determined by minimum feasible leakage measurement for automatic testing.

(3) Does not apply to Hi-Rel CD4051BF and CD4051BFA3 devices.

**Electrical Characteristics (continued)**

over operating free-air temperature range,  $V_{\text{SUPPLY}} = \pm 5 \text{ V}$ , and  $R_L = 100 \Omega$ , (unless otherwise noted)<sup>(1)</sup>

| PARAMETER   |  | TEST CONDITIONS  |   |                     |                     |      | MIN | TYP | MAX   | UNIT          |           |     |    |   |
|---|--|--|---|---------------------|---------------------|------|-----|-----|-------|---------------|-----------|-----|----|---|
|   |  | $V_{\text{IS}}$ (V)  | $V_{\text{EE}}$ (V)   | $V_{\text{SS}}$ (V) | $V_{\text{DD}}$ (V) | TEMP |     |     |       |               |           |     |    |   |
| Propagation Delay Time (Signal Input to Output)                   |     | $V_{\text{DD}}$  | $R_L = 200 \text{ k}\Omega$ ,   |                     | 5                   | 25°C | 30  | 60  | ns    |               |           |     |    |   |
|   |  |  | $C_L = 50 \text{ pF}$ ,   |                     | 10                  |      | 15  | 30  |       |               |           |     |    |   |
|   |  | $t_r, t_f = 20 \text{ ns}$   |   | 15                  | 10                  |      | 20  |     |       |               |           |     |    |   |
|   |  |  |   |                     |                     |      |     |     |       |               |           |     |    |   |
| <b>CONTROL (ADDRESS OR INHIBIT), <math>V_C</math></b>             |  |  |   |                     |                     |      |     |     |       |               |           |     |    |   |
| Input Low Voltage, $V_{\text{IL}}$ , Max                          |  | $V_{\text{IL}} = V_{\text{DD}}$<br>through 1 k $\Omega$ ;<br>$V_{\text{IH}} = V_{\text{DD}}$<br>through 1 k $\Omega$ | $V_{\text{EE}} = V_{\text{SS}}$ ,<br>$R_L = 1 \text{ k}\Omega$ to $V_{\text{SS}}$ ,<br>$I_{\text{IS}} < 2 \mu\text{A}$ on All OFF<br>Channels |                     |                     |      |     |     | V     | 5             | -55°C     | 1.5 |    |   |
|   |  |  |   |                     |                     |      |     |     |       | 5             | -40°C     | 1.5 |    |   |
|   |  |  |   |                     |                     |      |     |     |       | 5             | 25°C      | 1.5 |    |   |
|   |  |  |   |                     |                     |      |     |     |       | 5             | 85°C      | 1.5 |    |   |
|   |  |  |   |                     |                     |      |     |     |       | 5             | 125°C     | 1.5 |    |   |
|   |  |  |   |                     |                     |      |     |     |       | 10            | -55°C     | 3   |    | 3 |
|   |  |  |   |                     |                     |      |     |     |       | 10            | -40°C     | 3   |    |   |
|   |  |  |   |                     |                     |      |     |     |       | 10            | 25°C      | 3   |    |   |
|   |  |  |   |                     |                     |      |     |     |       | 10            | 85°C      | 3   |    |   |
|   |  |  |   |                     |                     |      |     |     |       | 10            | 125°C     | 3   |    |   |
|   |  |  |   |                     |                     |      |     |     |       | 15            | -55°C     | 4   |    | 4 |
|   |  |  |   |                     |                     |      |     |     |       | 15            | -40°C     | 4   |    |   |
|   |  |  |   |                     |                     |      |     |     |       | 15            | 25°C      | 4   |    |   |
|   |  |  |   |                     |                     |      |     |     |       | 15            | 85°C      | 4   |    |   |
|   |  |  |   |                     |                     |      |     |     |       | 15            | 125°C     | 4   |    |   |
| Input High Voltage, $V_{\text{IH}}$ , Min                         |  | $V_{\text{IL}} = V_{\text{DD}}$<br>through 1 k $\Omega$ ;<br>$V_{\text{IH}} = V_{\text{DD}}$<br>through 1 k $\Omega$ | $V_{\text{EE}} = V_{\text{SS}}$ ,<br>$R_L = 1 \text{ k}\Omega$ to $V_{\text{SS}}$ ,<br>$I_{\text{IS}} < 2 \mu\text{A}$ on All OFF<br>Channels |                     |                     |      |     | V   | 5     | -55°C         | 3.5       |     |    |   |
|   |  |  |   |                     |                     |      |     |     | 5     | -40°C         | 3.5       |     |    |   |
|   |  |  |   |                     |                     |      |     |     | 5     | 25°C          | 3.5       |     |    |   |
|   |  |  |   |                     |                     |      |     |     | 5     | 85°C          | 3.5       |     |    |   |
|   |  |  |   |                     |                     |      |     |     | 5     | 125°C         | 3.5       |     |    |   |
|   |  |  |   |                     |                     |      |     |     | 10    | -55°C         | 7         |     | 7  |   |
|   |  |  |   |                     |                     |      |     |     | 10    | -40°C         | 7         |     |    |   |
|   |  |  |   |                     |                     |      |     |     | 10    | 25°C          | 7         |     |    |   |
|   |  |  |   |                     |                     |      |     |     | 10    | 85°C          | 7         |     |    |   |
|   |  |  |   |                     |                     |      |     |     | 10    | 125°C         | 7         |     |    |   |
|   |  |  |   |                     |                     |      |     |     | 15    | -55°C         | 11        |     | 11 |   |
|   |  |  |   |                     |                     |      |     |     | 15    | -40°C         | 11        |     |    |   |
|   |  |  |   |                     |                     |      |     |     | 15    | 25°C          | 11        |     |    |   |
|   |  |  |   |                     |                     |      |     |     | 15    | 85°C          | 11        |     |    |   |
|   |  |  |   |                     |                     |      |     |     | 15    | 125°C         | 11        |     |    |   |
| Input Current, $I_{\text{IN}}$ (Max)                              |  |  | $V_{\text{IN}} = 0, 18$   |                     |                     | 18   |     |     | -55°C | $\pm 0.1$     | $\pm 0.1$ |     |    |   |
|   |  |  |   |                     |                     |      |     |     | -40°C | $\pm 0.1$     |           |     |    |   |
|   |  |  |   |                     |                     |      |     |     | 25°C  | $\pm 10^{-5}$ |           |     |    |   |
|   |  |  |   |                     |                     |      |     |     | 85°C  | $\pm 1$       |           |     |    |   |
|   |  |  |   |                     |                     |      |     |     | 125°C | $\pm 1$       |           |     |    |   |
| Propagation Delay Time  | Address-to-Signal OUT (Channels ON or OFF) (See Figure 10, Figure 11, and Figure 15) | $t_r, t_f = 20 \text{ ns}$ ,<br>$C_L = 50 \text{ pF}$ ,<br>$R_L = 10 \text{ k}\Omega$                                | 0   | 0                   | 5                   |      | 450 | 720 | ns    |               |           |     |    |   |
|   |  |  | 0   | 0                   | 10                  |      | 160 | 320 |       |               |           |     |    |   |
|   |  |  | 0   | 0                   | 15                  |      | 120 | 240 |       |               |           |     |    |   |
|   |  |  | -5  | 0                   | 5                   |      | 225 | 450 |       |               |           |     |    |   |
| Propagation Delay Time  | Inhibit-to-Signal OUT (Channel Turning ON) (See Figure 11)                           | $t_r, t_f = 20 \text{ ns}$ ,<br>$C_L = 50 \text{ pF}$ ,<br>$R_L = 1 \text{ k}\Omega$                                 | 0   | 0                   | 5                   |      | 400 | 720 | ns    |               |           |     |    |   |
|   |  |  | 0   | 0                   | 10                  |      | 160 | 320 |       |               |           |     |    |   |
|   |  |  | 0   | 0                   | 15                  |      | 120 | 240 |       |               |           |     |    |   |
|   |  |  | -10   | 0                   | 5                   |      | 200 | 400 |       |               |           |     |    |   |
| Propagation Delay Time  | Inhibit-to-Signal OUT (Channel Turning OFF) (See Figure 17)                          | $t_r, t_f = 20 \text{ ns}$ ,<br>$C_L = 50 \text{ pF}$ ,<br>$R_L = 10 \text{ k}\Omega$                                | 0   | 0                   | 5                   |      | 200 | 450 | ns    |               |           |     |    |   |
|   |  |  | 0   | 0                   | 10                  |      | 90  | 210 |       |               |           |     |    |   |
|   |  |  | 0   | 0                   | 15                  |      | 70  | 160 |       |               |           |     |    |   |
|   |  |  | -10   | 0                   | 5                   |      | 130 | 300 |       |               |           |     |    |   |
| Input Capacitance, $C_{\text{IN}}$ (Any Address or Inhibit Input) |  |  |   |                     |                     |      | 5   | 7.5 | pF    |               |           |     |    |   |

## 6.6 AC Performance Characteristics

| PARAMETER   | TEST CONDITIONS  |                     |                     |   | TYP                     | UNIT  |                    |
|---|--|---------------------|---------------------|---|-------------------------|-------|--------------------|
|   | V <sub>IS</sub> (V)  | V <sub>DD</sub> (V) | R <sub>L</sub> (kΩ) |   |                         |       |                    |
| Cutoff (–3dB)<br>Frequency Channel<br>ON (Sine Wave<br>Input) | 5 <sup>(1)</sup>   | 10                  | 1                   | V <sub>OS</sub> at Common OUT/IN  | CD4053                  | 30    | MHz                |
|   |  |                     |                     |   | CD4052                  | 25    |                    |
|   |  |                     |                     |   | CD4051                  | 20    |                    |
|   | V <sub>EE</sub> = V <sub>SS</sub> ,<br>$20\text{Log} \frac{V_{OS}}{V_{IS}} = -3\text{ dB}$ |                     |                     | V <sub>OS</sub> at Any Channel  |                         | 60    |                    |
| Total Harmonic<br>Distortion, THD                             | 2 <sup>(1)</sup>   | 5                   | 10                  |   |                         | 0.3%  |                    |
|   | 3 <sup>(1)</sup>   | 10                  |                     |   |                         | 0.2%  |                    |
|   | 5 <sup>(1)</sup>   | 15                  |                     |   |                         | 0.12% |                    |
|   | V <sub>EE</sub> = V <sub>SS</sub> , f <sub>IS</sub> = 1 kHz Sine Wave                      |                     |                     |   |                         |       |                    |
| –40dB Feedthrough<br>Frequency<br>(All Channels OFF)          | 5 <sup>(1)</sup>   | 10                  | 1                   | V <sub>OS</sub> at Common OUT/IN  | CD4053                  | 8     | MHz                |
|   |  |                     |                     |   | CD4052                  | 10    |                    |
|   |  |                     |                     |   | CD4051                  | 12    |                    |
|   |  |                     |                     | V <sub>EE</sub> = V <sub>SS</sub> ,<br>$20\text{Log} \frac{V_{OS}}{V_{IS}} = -40\text{ dB}$   |                         |       |                    |
| –40dB Signal<br>Crosstalk<br>Frequency                        | 5 <sup>(1)</sup>   | 10                  | 1                   | Between Any two Channels  |                         | 3     | MHz                |
|   |  |                     |                     | Between Sections,<br>CD4052 Only  | Measured on Common      | 6     |                    |
|   |  |                     |                     |   | Measured on Any Channel | 10    |                    |
|   |  |                     |                     | Between Any Two<br>Sections, CD4053 Only  | In Pin 2, Out Pin 14    | 2.5   |                    |
|   |  |                     |                     |   | In Pin 15, Out Pin 14   | 6     |                    |
| Address-or-Inhibit-to-<br>Signal<br>Crosstalk                 |  | 10                  | 10 <sup>(2)</sup>   |   |                         | 65    | mV <sub>PEAK</sub> |
|   |  |                     |                     | V <sub>EE</sub> = 0, V <sub>SS</sub> = 0, t <sub>r</sub> , t <sub>f</sub> = 20 ns,<br>V <sub>CC</sub> = V <sub>DD</sub> – V <sub>SS</sub> (Square Wave) |                         | 65    |                    |

- (1) Peak-to-Peak voltage symmetrical about (V<sub>DD</sub> - V<sub>EE</sub>) / 2.  
 (2) Both ends of channel.

### 6.7 Typical Characteristics



Typical Characteristics (continued)



## 7 Parameter Measurement Information

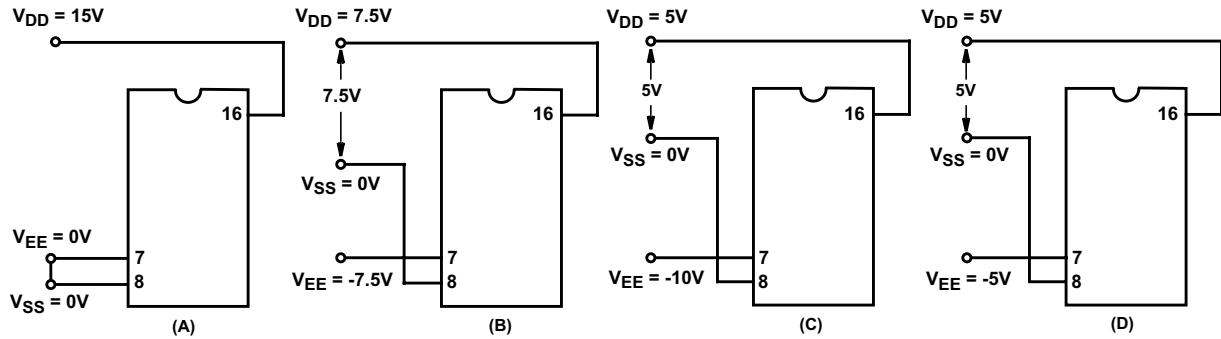


Figure 9. Typical Bias Voltages

### NOTE

The ADDRESS (digital-control inputs) and INHIBIT logic levels are: 0 =  $V_{SS}$  and 1 =  $V_{DD}$ . The analog signal (through the TG) may swing from  $V_{EE}$  to  $V_{DD}$ .

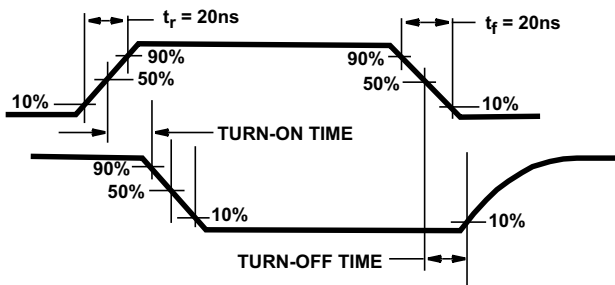


Figure 10. Waveforms, Channel Being Turned ON ( $R_L = 1\text{ k}\Omega$ )

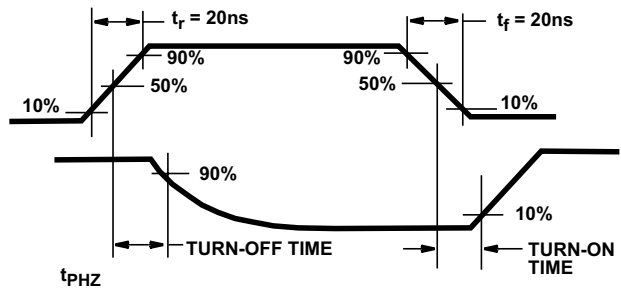


Figure 11. Waveforms, Channel Being Turned OFF ( $R_L = 1\text{ k}\Omega$ )

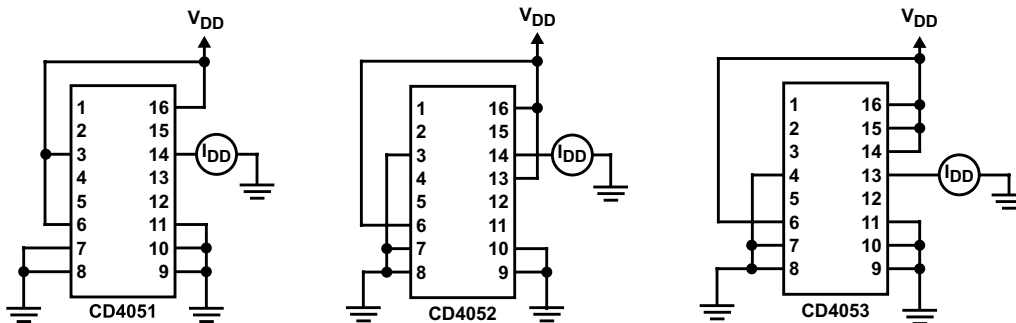
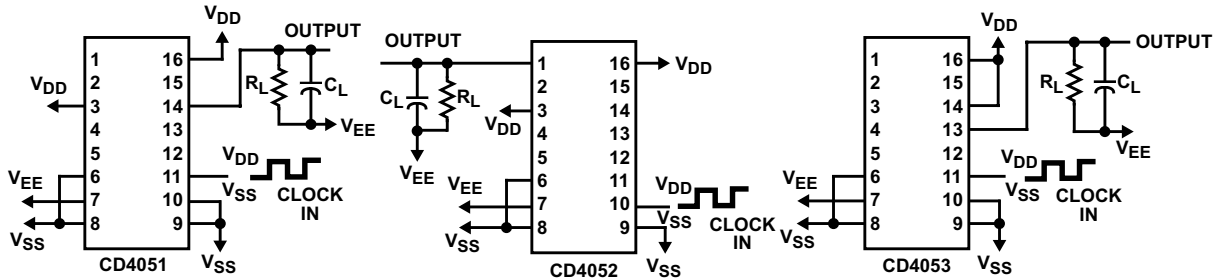


Figure 12. OFF Channel Leakage Current - Any Channel OFF


**Figure 13. On Channel Leakage Current - Any Channel On**

**Figure 14. OFF Channel Leakage Current - All Channels OFF**

**Figure 15. Propagation Delay - Address Input to Signal Output**

**Figure 16. Propagation Delay - Inhibit Input to Signal Output**

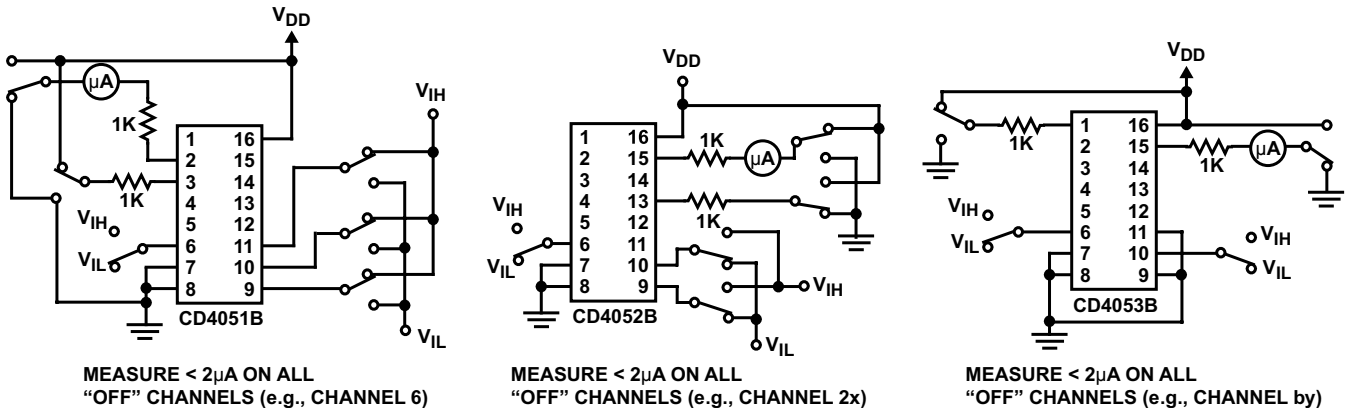


Figure 17. Input Voltage Test Circuits (Noise Immunity)



Figure 18. Quiescent Device Current



Figure 19. Channel ON Resistance Measurement Circuit

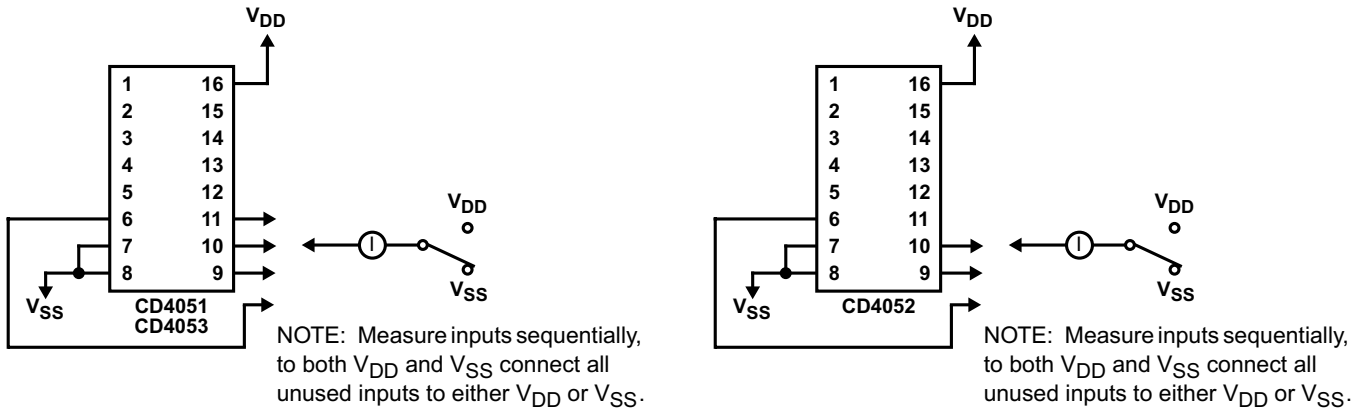


Figure 20. Input Current

CD4051B, CD4052B, CD4053B

SCHS0471 – AUGUST 1998 – REVISED SEPTEMBER 2017

www.ti.com



Figure 21. Feedthrough (All Types)



Figure 22. Crosstalk Between Any Two Channels (All Types)



Figure 23. Crosstalk Between Duals or Triplets (CD4052B, CD4053B)



**Special Considerations:** In applications where separate power sources are used to drive  $V_{DD}$  and the signal inputs, the  $V_{DD}$  current capability should exceed  $V_{DD}/R_L$  ( $R_L$  = effective external load). This provision avoids permanent current flow or clamp action on the  $V_{DD}$  supply when power is applied or removed from the CD4051B, CD4052B or CD4053B.

Figure 24. Typical Time-Division Application of the CD4052B



Figure 25. 24-to-1 MUX Addressing

## 8 Detailed Description

### 8.1 Overview

The CD4051B, CD4052B, and CD4053B analog multiplexers are digitally-controlled analog switches having low ON impedance and very low OFF leakage current. Control of analog signals up to 20 V<sub>P-P</sub> can be achieved by digital signal amplitudes of 4.5 V to 20 V (if  $V_{DD} - V_{SS} = 3$  V, a  $V_{DD} - V_{EE}$  of up to 13 V can be controlled; for  $V_{DD} - V_{EE}$  level differences above 13 V, a  $V_{DD} - V_{SS}$  of at least 4.5 V is required). For example, if  $V_{DD} = +4.5$  V,  $V_{SS} = 0$  V, and  $V_{EE} = -13.5$  V, analog signals from  $-13.5$  V to  $+4.5$  V can be controlled by digital inputs of 0 V to 5 V. These multiplexer circuits dissipate extremely low quiescent power over the full  $V_{DD} - V_{SS}$  and  $V_{DD} - V_{EE}$  supply-voltage ranges, independent of the logic state of the control signals. When a logic 1 is present at the inhibit input terminal, all channels are off.

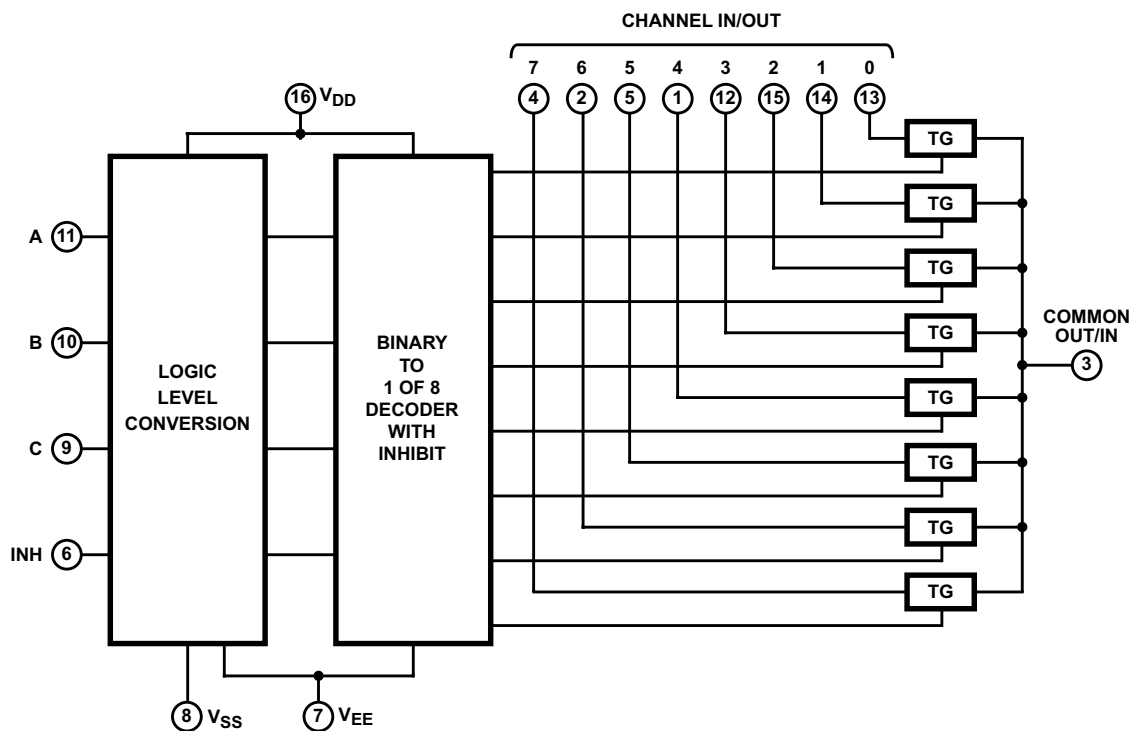
The CD4051B device is a single 8-channel multiplexer having three binary control inputs, A, B, and C, and an inhibit input. The three binary signals select 1 of 8 channels to be turned on, and connect one of the 8 inputs to the output.

The CD4052B device is a differential 4-channel multiplexer having two binary control inputs, A and B, and an inhibit input. The two binary input signals select 1 of 4 pairs of channels to be turned on and connect the analog inputs to the outputs.

The CD4053B device is a triple 2-channel multiplexer having three separate digital control inputs, A, B, and C, and an inhibit input. Each control input selects one of a pair of channels which are connected in a single-pole, double-throw configuration.

When these devices are used as demultiplexers, the CHANNEL IN/OUT terminals are the outputs and the COMMON OUT/IN terminals are the inputs.

### 8.2 Functional Block Diagrams



All inputs are protected by standard CMOS protection network.

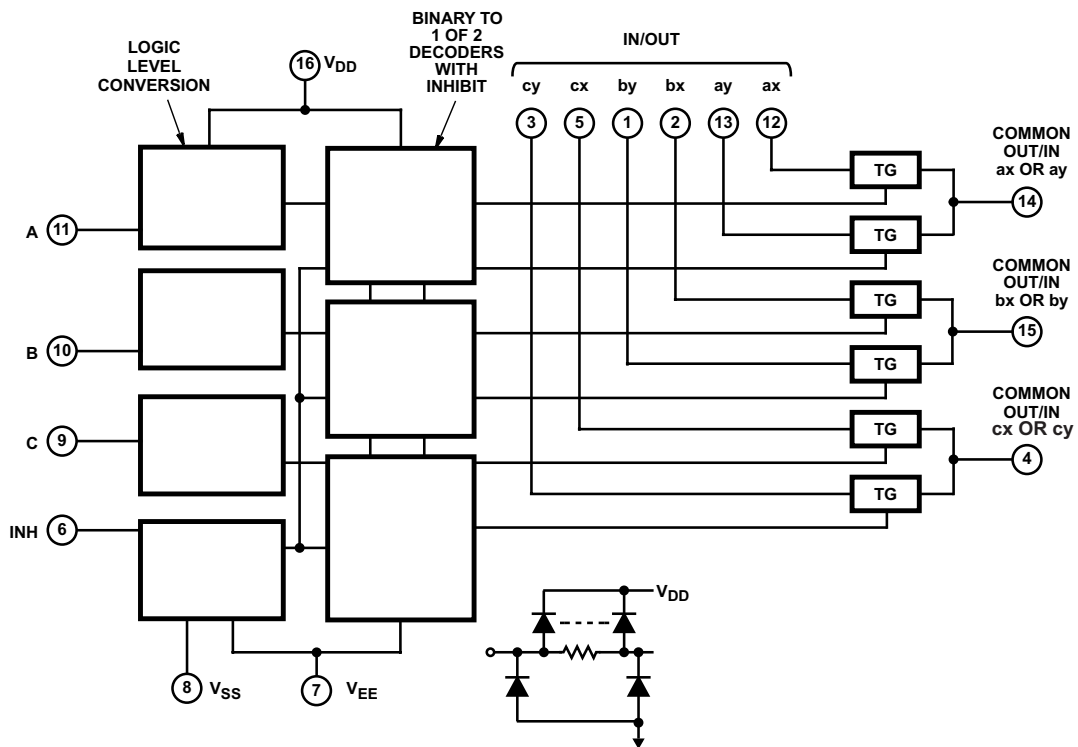
Figure 26. Functional Block Diagram, CD4051B

Functional Block Diagrams (continued)



All inputs are protected by standard CMOS protection network.

Figure 27. Functional Block Diagram, CD4052B



All inputs are protected by standard CMOS protection network.

Figure 28. Functional Block Diagram, CD4053B

### 8.3 Feature Description

The CD405xB line of multiplexers and demultiplexers can accept a wide range of digital and analog signal levels. Digital signals range from 3 V to 20 V, and analog signals are accepted at levels  $\leq 20$  V. They have low ON resistance, typically 125  $\Omega$  over 15 V<sub>P-P</sub> signal input range for  $V_{DD} - V_{EE} = 18$  V. This allows for very little signal loss through the switch. Matched switch characteristics are typically  $r_{ON} = 5 \Omega$  for  $V_{DD} - V_{EE} = 15$  V.

The CD405xB devices also have high OFF resistance, which keeps from wasting power when the switch is in the OFF position, with typical channel leakage of  $\pm 100$  pA at  $V_{DD} - V_{EE} = 18$  V. Very low quiescent power dissipation under all digital-control input and supply conditions, typically 0.2  $\mu$ W at  $V_{DD} - V_{SS} = V_{DD} - V_{EE} = 10$  V keeps power consumption total very low. All devices have been 100% tested for quiescent current at 20 V with maximum input current of 1  $\mu$ A at 18 V over the full package temperature range, and only 100 nA at 18 V and 25°C.

Logic-level conversion for digital addressing signals of 3 V to 20 V ( $V_{DD} - V_{SS} = 3$  V to 20 V) to switch analog signals to 20 V<sub>P-P</sub> ( $V_{DD} - V_{EE} = 20$  V). Binary address decoding on chip makes channel selection easy. When channels are changed, a break-before-make system eliminates channel overlap.

### 8.4 Device Functional Modes

**Table 1. Truth Table<sup>(1)</sup>**

| INPUT STATES   |   |   |   | ON CHANNEL(S) |
|----------------|---|---|---|---------------|
| INHIBIT        | C | B | A |               |
| <b>CD4051B</b> |   |   |   |               |
| 0              | 0 | 0 | 0 | 0             |
| 0              | 0 | 0 | 1 | 1             |
| 0              | 0 | 1 | 0 | 2             |
| 0              | 0 | 1 | 1 | 3             |
| 0              | 1 | 0 | 0 | 4             |
| 0              | 1 | 0 | 1 | 5             |
| 0              | 1 | 1 | 0 | 6             |
| 0              | 1 | 1 | 1 | 7             |
| 1              | X | X | X | None          |
| <b>CD4052B</b> |   |   |   |               |
| 0              |   | 0 | 0 | 0x, 0y        |
| 0              |   | 0 | 1 | 1x, 1y        |
| 0              |   | 1 | 0 | 2x, 2y        |
| 0              |   | 1 | 1 | 3x, 3y        |
| 1              |   | X | X | None          |
| <b>CD4053B</b> |   |   |   |               |
| 0              | X | X | 0 | ax            |
| 0              | X | X | 1 | ay            |
| 0              | X | 0 | X | bx            |
| 0              | X | 1 | X | by            |
| 0              | 0 | X | X | cx            |
| 0              | 1 | X | X | cy            |
| 1              | X | X | X | None          |

(1) X = Don't Care

## 9 Application and Implementation

### NOTE

Information in the following applications sections is not part of the TI component specification, and TI does not warrant its accuracy or completeness. TI's customers are responsible for determining suitability of components for their purposes. Customers should validate and test their design implementation to confirm system functionality.

### 9.1 Application Information

The CD405xB multiplexers and demultiplexers can be used for a wide variety of applications.

### 9.2 Typical Application

One application of the CD4051B is to use it in conjunction with a microcontroller to poll a keypad. [Figure 29](#) shows the basic schematic for such a polling system. The microcontroller uses the channel select pins to cycle through the different channels while reading the input to see if a user is pressing any of the keys. This is a very robust setup, allowing for multiple simultaneous key-presses with very little power consumption. It also utilizes very few pins on the microcontroller. The down side of polling is that the microcontroller must continually scan the keys for a press and can do little else during this process.



**Figure 29. The CD4051B Being Used to Help Read Button Presses on a Keypad.**

#### 9.2.1 Design Requirements

These devices use CMOS technology and have balanced output drive. Take care to avoid bus contention because it can drive currents that would exceed maximum limits. The high drive will also create fast edges into light loads, so routing and load conditions should be considered to prevent ringing.

## Typical Application (continued)

### 9.2.2 Detailed Design Procedure

1. Recommended Input Conditions
  - For switch time specifications, see propagation delay times in [Electrical Characteristics](#).
  - Inputs should not be pushed more than 0.5 V above  $V_{DD}$  or below  $V_{EE}$ .
  - For input voltage level specifications for control inputs, see  $V_{IH}$  and  $V_{IL}$  in [Electrical Characteristics](#).
2. Recommended Output Conditions
  - Outputs should not be pulled above  $V_{DD}$  or below  $V_{EE}$ .
3. Input/output current consideration: The CD405xB series of parts do not have internal current drive circuitry and thus cannot sink or source current. Any current will be passed through the device.

### 9.2.3 Application Curve



Figure 30. ON Characteristics for 1 of 8 Channels (CD4051B)

## 10 Power Supply Recommendations

The power supply can be any voltage between the minimum and maximum supply voltage rating located in the [Electrical Characteristics](#).

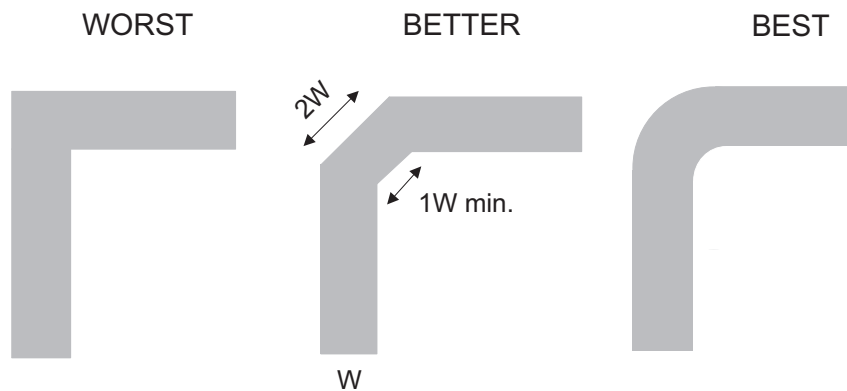
Each  $V_{CC}$  terminal should have a good bypass capacitor to prevent power disturbance. For devices with a single supply, a 0.1- $\mu F$  bypass capacitor is recommended. If there are multiple pins labeled  $V_{CC}$ , then a 0.01- $\mu F$  or 0.022- $\mu F$  capacitor is recommended for each  $V_{CC}$  because the  $V_{CC}$  pins will be tied together internally. For devices with dual supply pins operating at different voltages, for example  $V_{CC}$  and  $V_{DD}$ , a 0.1- $\mu F$  bypass capacitor is recommended for each supply pin. It is acceptable to parallel multiple bypass capacitors to reject different frequencies of noise. 0.1- $\mu F$  and 1- $\mu F$  capacitors are commonly used in parallel. The bypass capacitor should be installed as close to the power terminal as possible for best results.

## 11 Layout

### 11.1 Layout Guidelines

Reflections and matching are closely related to loop antenna theory, but different enough to warrant their own discussion. When a PCB trace turns a corner at a 90° angle, a reflection can occur. This is primarily due to the change of width of the trace. At the apex of the turn, the trace width is increased to 1.414 times its width. This upsets the transmission line characteristics, especially the distributed capacitance and self-inductance of the trace — resulting in the reflection. It is a given that not all PCB traces can be straight, and so they will have to turn corners. [Figure 31](#) shows progressively better techniques of rounding corners. Only the last example maintains constant trace width and minimizes reflections.

### 11.2 Layout Example



**Figure 31. Trace Example**

## 12 Device and Documentation Support

### 12.1 Documentation Support

#### 12.1.1 Related Documentation

- *Implications of Slow or Floating CMOS Inputs*, [SCBA004](#)

### 12.2 Related Links

The table below lists quick access links. Categories include technical documents, support and community resources, tools and software, and quick access to sample or buy.

**Table 2. Related Links**

| PARTS   | PRODUCT FOLDER             | SAMPLE & BUY               | TECHNICAL DOCUMENTS        | TOOLS & SOFTWARE           | SUPPORT & COMMUNITY        |
|---------|----------------------------|----------------------------|----------------------------|----------------------------|----------------------------|
| CD4051B | <a href="#">Click here</a> | <a href="#">Click here</a> | <a href="#">Click here</a> | <a href="#">Click here</a> | <a href="#">Click here</a> |
| CD4052B | <a href="#">Click here</a> | <a href="#">Click here</a> | <a href="#">Click here</a> | <a href="#">Click here</a> | <a href="#">Click here</a> |
| CD4053B | <a href="#">Click here</a> | <a href="#">Click here</a> | <a href="#">Click here</a> | <a href="#">Click here</a> | <a href="#">Click here</a> |

### 12.3 Trademarks

All trademarks are the property of their respective owners.

### 12.4 Electrostatic Discharge Caution



These devices have limited built-in ESD protection. The leads should be shorted together or the device placed in conductive foam during storage or handling to prevent electrostatic damage to the MOS gates.

### 12.5 Glossary

[SLYZ022](#) — *TI Glossary*.

This glossary lists and explains terms, acronyms, and definitions.

## 13 Mechanical, Packaging, and Orderable Information

The following pages include mechanical, packaging, and orderable information. This information is the most current data available for the designated devices. This data is subject to change without notice and revision of this document. For browser-based versions of this data sheet, refer to the left-hand navigation.

**PACKAGING INFORMATION**

| Orderable Device | Status<br>(1) | Package Type | Package<br>Drawing | Pins | Package<br>Qty | Eco Plan<br>(2)            | Lead/Ball Finish<br>(6) | MSL Peak Temp<br>(3) | Op Temp (°C) | Device Marking<br>(4/5) | Samples                 |
|------------------|---------------|--------------|--------------------|------|----------------|----------------------------|-------------------------|----------------------|--------------|-------------------------|-------------------------|
| 7901502EA        | ACTIVE        | CDIP         | J                  | 16   | 1              | TBD                        | A42                     | N / A for Pkg Type   | -55 to 125   | 7901502EA<br>CD4052BF3A | <a href="#">Samples</a> |
| 8101801EA        | ACTIVE        | CDIP         | J                  | 16   | 1              | TBD                        | A42                     | N / A for Pkg Type   | -55 to 125   | 8101801EA<br>CD4053BF3A | <a href="#">Samples</a> |
| CD4051BE         | ACTIVE        | PDIP         | N                  | 16   | 25             | Green (RoHS<br>& no Sb/Br) | CU NIPDAU   CU SN       | N / A for Pkg Type   | -55 to 125   | CD4051BE                | <a href="#">Samples</a> |
| CD4051BEE3       | PREVIEW       | PDIP         | N                  | 16   | 25             | TBD                        | Call TI                 | Call TI              | -55 to 125   | CD4051BE                |                         |
| CD4051BEE4       | ACTIVE        | PDIP         | N                  | 16   | 25             | Green (RoHS<br>& no Sb/Br) | CU NIPDAU               | N / A for Pkg Type   | -55 to 125   | CD4051BE                | <a href="#">Samples</a> |
| CD4051BF         | ACTIVE        | CDIP         | J                  | 16   | 1              | TBD                        | A42                     | N / A for Pkg Type   | -55 to 125   | CD4051BF                | <a href="#">Samples</a> |
| CD4051BF3A       | ACTIVE        | CDIP         | J                  | 16   | 1              | TBD                        | A42                     | N / A for Pkg Type   | -55 to 125   | CD4051BF3A              | <a href="#">Samples</a> |
| CD4051BM         | ACTIVE        | SOIC         | D                  | 16   | 40             | Green (RoHS<br>& no Sb/Br) | CU NIPDAU               | Level-1-260C-UNLIM   | -55 to 125   | CD4051BM                | <a href="#">Samples</a> |
| CD4051BM96       | ACTIVE        | SOIC         | D                  | 16   | 2500           | Green (RoHS<br>& no Sb/Br) | CU NIPDAU   CU SN       | Level-1-260C-UNLIM   | -55 to 125   | CD4051BM                | <a href="#">Samples</a> |
| CD4051BM96G3     | ACTIVE        | SOIC         | D                  | 16   | 2500           | Green (RoHS<br>& no Sb/Br) | CU SN                   | Level-1-260C-UNLIM   | -55 to 125   | CD4051BM                | <a href="#">Samples</a> |
| CD4051BM96G4     | ACTIVE        | SOIC         | D                  | 16   | 2500           | Green (RoHS<br>& no Sb/Br) | CU NIPDAU               | Level-1-260C-UNLIM   | -55 to 125   | CD4051BM                | <a href="#">Samples</a> |
| CD4051BMG4       | ACTIVE        | SOIC         | D                  | 16   | 40             | Green (RoHS<br>& no Sb/Br) | CU NIPDAU               | Level-1-260C-UNLIM   | -55 to 125   | CD4051BM                | <a href="#">Samples</a> |
| CD4051BMT        | ACTIVE        | SOIC         | D                  | 16   | 250            | Green (RoHS<br>& no Sb/Br) | CU NIPDAU               | Level-1-260C-UNLIM   | -55 to 125   | CD4051BM                | <a href="#">Samples</a> |
| CD4051BNSR       | ACTIVE        | SO           | NS                 | 16   | 2000           | Green (RoHS<br>& no Sb/Br) | CU NIPDAU               | Level-1-260C-UNLIM   | -55 to 125   | CD4051B                 | <a href="#">Samples</a> |
| CD4051BNSRE4     | ACTIVE        | SO           | NS                 | 16   | 2000           | Green (RoHS<br>& no Sb/Br) | CU NIPDAU               | Level-1-260C-UNLIM   | -55 to 125   | CD4051B                 | <a href="#">Samples</a> |
| CD4051BPW        | ACTIVE        | TSSOP        | PW                 | 16   | 90             | Green (RoHS<br>& no Sb/Br) | CU NIPDAU               | Level-1-260C-UNLIM   | -55 to 125   | CM051B                  | <a href="#">Samples</a> |
| CD4051BPWE4      | ACTIVE        | TSSOP        | PW                 | 16   | 90             | Green (RoHS<br>& no Sb/Br) | CU NIPDAU               | Level-1-260C-UNLIM   | -55 to 125   | CM051B                  | <a href="#">Samples</a> |
| CD4051BPWR       | ACTIVE        | TSSOP        | PW                 | 16   | 2000           | Green (RoHS<br>& no Sb/Br) | CU NIPDAU   CU SN       | Level-1-260C-UNLIM   | -55 to 125   | CM051B                  | <a href="#">Samples</a> |

| Orderable Device | Status<br>(1) | Package Type | Package Drawing | Pins | Package Qty | Eco Plan<br>(2)         | Lead/Ball Finish<br>(6) | MSL Peak Temp<br>(3) | Op Temp (°C) | Device Marking<br>(4/5) | Samples                 |
|------------------|---------------|--------------|-----------------|------|-------------|-------------------------|-------------------------|----------------------|--------------|-------------------------|-------------------------|
| CD4051BPWRG4     | ACTIVE        | TSSOP        | PW              | 16   | 2000        | Green (RoHS & no Sb/Br) | CU NIPDAU               | Level-1-260C-UNLIM   | -55 to 125   | CM051B                  | <a href="#">Samples</a> |
| CD4052BE         | ACTIVE        | PDIP         | N               | 16   | 25          | Green (RoHS & no Sb/Br) | CU NIPDAU   CU SN       | N / A for Pkg Type   | -55 to 125   | CD4052BE                | <a href="#">Samples</a> |
| CD4052BEE4       | ACTIVE        | PDIP         | N               | 16   | 25          | Pb-Free (RoHS)          | CU NIPDAU               | N / A for Pkg Type   | -55 to 125   | CD4052BE                | <a href="#">Samples</a> |
| CD4052BF         | ACTIVE        | CDIP         | J               | 16   | 1           | TBD                     | A42                     | N / A for Pkg Type   | -55 to 125   | CD4052BF                | <a href="#">Samples</a> |
| CD4052BF3A       | ACTIVE        | CDIP         | J               | 16   | 1           | TBD                     | A42                     | N / A for Pkg Type   | -55 to 125   | 7901502EA<br>CD4052BF3A | <a href="#">Samples</a> |
| CD4052BM         | ACTIVE        | SOIC         | D               | 16   | 40          | Green (RoHS & no Sb/Br) | CU NIPDAU               | Level-1-260C-UNLIM   | -55 to 125   | CD4052BM                | <a href="#">Samples</a> |
| CD4052BM96       | ACTIVE        | SOIC         | D               | 16   | 2500        | Green (RoHS & no Sb/Br) | CU NIPDAU   CU SN       | Level-1-260C-UNLIM   | -55 to 125   | CD4052BM                | <a href="#">Samples</a> |
| CD4052BM96E4     | ACTIVE        | SOIC         | D               | 16   | 2500        | Green (RoHS & no Sb/Br) | CU NIPDAU               | Level-1-260C-UNLIM   | -55 to 125   | CD4052BM                | <a href="#">Samples</a> |
| CD4052BM96G3     | ACTIVE        | SOIC         | D               | 16   | 2500        | Green (RoHS & no Sb/Br) | CU SN                   | Level-1-260C-UNLIM   | -55 to 125   | CD4052BM                | <a href="#">Samples</a> |
| CD4052BM96G4     | ACTIVE        | SOIC         | D               | 16   | 2500        | Green (RoHS & no Sb/Br) | CU NIPDAU               | Level-1-260C-UNLIM   | -55 to 125   | CD4052BM                | <a href="#">Samples</a> |
| CD4052BMG4       | ACTIVE        | SOIC         | D               | 16   | 40          | Green (RoHS & no Sb/Br) | CU NIPDAU               | Level-1-260C-UNLIM   | -55 to 125   | CD4052BM                | <a href="#">Samples</a> |
| CD4052BMT        | ACTIVE        | SOIC         | D               | 16   | 250         | Green (RoHS & no Sb/Br) | CU NIPDAU               | Level-1-260C-UNLIM   | -55 to 125   | CD4052BM                | <a href="#">Samples</a> |
| CD4052BNSR       | ACTIVE        | SO           | NS              | 16   | 2000        | Green (RoHS & no Sb/Br) | CU NIPDAU               | Level-1-260C-UNLIM   | -55 to 125   | CD4052B                 | <a href="#">Samples</a> |
| CD4052BPW        | ACTIVE        | TSSOP        | PW              | 16   | 90          | Green (RoHS & no Sb/Br) | CU NIPDAU               | Level-1-260C-UNLIM   | -55 to 125   | CM052B                  | <a href="#">Samples</a> |
| CD4052BPWR       | ACTIVE        | TSSOP        | PW              | 16   | 2000        | Green (RoHS & no Sb/Br) | CU NIPDAU   CU SN       | Level-1-260C-UNLIM   | -55 to 125   | CM052B                  | <a href="#">Samples</a> |
| CD4052BPWRG3     | ACTIVE        | TSSOP        | PW              | 16   | 2000        | Green (RoHS & no Sb/Br) | CU SN                   | Level-1-260C-UNLIM   | -55 to 125   | CM052B                  | <a href="#">Samples</a> |
| CD4052BPWRG4     | ACTIVE        | TSSOP        | PW              | 16   | 2000        | Green (RoHS & no Sb/Br) | CU NIPDAU               | Level-1-260C-UNLIM   | -55 to 125   | CM052B                  | <a href="#">Samples</a> |
| CD4053BE         | ACTIVE        | PDIP         | N               | 16   | 25          | Green (RoHS & no Sb/Br) | CU NIPDAU               | N / A for Pkg Type   | -55 to 125   | CD4053BE                | <a href="#">Samples</a> |

| Orderable Device | Status<br>(1) | Package Type | Package Drawing | Pins | Package Qty | Eco Plan<br>(2)         | Lead/Ball Finish<br>(6) | MSL Peak Temp<br>(3) | Op Temp (°C) | Device Marking<br>(4/5) | Samples                 |
|------------------|---------------|--------------|-----------------|------|-------------|-------------------------|-------------------------|----------------------|--------------|-------------------------|-------------------------|
| CD4053BEE4       | ACTIVE        | PDIP         | N               | 16   | 25          | Green (RoHS & no Sb/Br) | CU NIPDAU               | N / A for Pkg Type   | -55 to 125   | CD4053BE                | <a href="#">Samples</a> |
| CD4053BF         | ACTIVE        | CDIP         | J               | 16   | 1           | TBD                     | A42                     | N / A for Pkg Type   | -55 to 125   | CD4053BF                | <a href="#">Samples</a> |
| CD4053BF3A       | ACTIVE        | CDIP         | J               | 16   | 1           | TBD                     | A42                     | N / A for Pkg Type   | -55 to 125   | 8101801EA<br>CD4053BF3A | <a href="#">Samples</a> |
| CD4053BM         | ACTIVE        | SOIC         | D               | 16   | 40          | Green (RoHS & no Sb/Br) | CU NIPDAU               | Level-1-260C-UNLIM   | -55 to 125   | CD4053M                 | <a href="#">Samples</a> |
| CD4053BM96       | ACTIVE        | SOIC         | D               | 16   | 2500        | Green (RoHS & no Sb/Br) | CU NIPDAU   CU SN       | Level-1-260C-UNLIM   | -55 to 125   | CD4053M                 | <a href="#">Samples</a> |
| CD4053BM96E4     | ACTIVE        | SOIC         | D               | 16   | 2500        | Green (RoHS & no Sb/Br) | CU NIPDAU               | Level-1-260C-UNLIM   | -55 to 125   | CD4053M                 | <a href="#">Samples</a> |
| CD4053BM96G3     | ACTIVE        | SOIC         | D               | 16   | 2500        | Green (RoHS & no Sb/Br) | CU SN                   | Level-1-260C-UNLIM   | -55 to 125   | CD4053M                 | <a href="#">Samples</a> |
| CD4053BM96G4     | ACTIVE        | SOIC         | D               | 16   | 2500        | Green (RoHS & no Sb/Br) | CU NIPDAU               | Level-1-260C-UNLIM   | -55 to 125   | CD4053M                 | <a href="#">Samples</a> |
| CD4053BMG4       | ACTIVE        | SOIC         | D               | 16   | 40          | Green (RoHS & no Sb/Br) | CU NIPDAU               | Level-1-260C-UNLIM   | -55 to 125   | CD4053M                 | <a href="#">Samples</a> |
| CD4053BMT        | ACTIVE        | SOIC         | D               | 16   | 250         | Green (RoHS & no Sb/Br) | CU NIPDAU               | Level-1-260C-UNLIM   | -55 to 125   | CD4053M                 | <a href="#">Samples</a> |
| CD4053BNSR       | ACTIVE        | SO           | NS              | 16   | 2000        | Green (RoHS & no Sb/Br) | CU NIPDAU               | Level-1-260C-UNLIM   | -55 to 125   | CD4053B                 | <a href="#">Samples</a> |
| CD4053BPW        | ACTIVE        | TSSOP        | PW              | 16   | 90          | Green (RoHS & no Sb/Br) | CU NIPDAU               | Level-1-260C-UNLIM   | -55 to 125   | CM053B                  | <a href="#">Samples</a> |
| CD4053BPWR       | ACTIVE        | TSSOP        | PW              | 16   | 2000        | Green (RoHS & no Sb/Br) | CU NIPDAU   CU SN       | Level-1-260C-UNLIM   | -55 to 125   | CM053B                  | <a href="#">Samples</a> |
| CD4053BPWRG3     | ACTIVE        | TSSOP        | PW              | 16   | 2000        | Green (RoHS & no Sb/Br) | CU SN                   | Level-1-260C-UNLIM   | -55 to 125   | CM053B                  | <a href="#">Samples</a> |
| CD4053BPWRG4     | ACTIVE        | TSSOP        | PW              | 16   | 2000        | Green (RoHS & no Sb/Br) | CU NIPDAU               | Level-1-260C-UNLIM   | -55 to 125   | CM053B                  | <a href="#">Samples</a> |

(1) The marketing status values are defined as follows:

**ACTIVE:** Product device recommended for new designs.

**LIFEBUY:** TI has announced that the device will be discontinued, and a lifetime-buy period is in effect.

**NRND:** Not recommended for new designs. Device is in production to support existing customers, but TI does not recommend using this part in a new design.

**PREVIEW:** Device has been announced but is not in production. Samples may or may not be available.

**OBSELETE:** TI has discontinued the production of the device.

(2) **RoHS:** TI defines "RoHS" to mean semiconductor products that are compliant with the current EU RoHS requirements for all 10 RoHS substances, including the requirement that RoHS substance do not exceed 0.1% by weight in homogeneous materials. Where designed to be soldered at high temperatures, "RoHS" products are suitable for use in specified lead-free processes. TI may reference these types of products as "Pb-Free".

**RoHS Exempt:** TI defines "RoHS Exempt" to mean products that contain lead but are compliant with EU RoHS pursuant to a specific EU RoHS exemption.

**Green:** TI defines "Green" to mean the content of Chlorine (Cl) and Bromine (Br) based flame retardants meet JS709B low halogen requirements of <=1000ppm threshold. Antimony trioxide based flame retardants must also meet the <=1000ppm threshold requirement.

(3) **MSL, Peak Temp.** - The Moisture Sensitivity Level rating according to the JEDEC industry standard classifications, and peak solder temperature.

(4) There may be additional marking, which relates to the logo, the lot trace code information, or the environmental category on the device.

(5) Multiple Device Markings will be inside parentheses. Only one Device Marking contained in parentheses and separated by a "-" will appear on a device. If a line is indented then it is a continuation of the previous line and the two combined represent the entire Device Marking for that device.

(6) **Lead/Ball Finish** - Orderable Devices may have multiple material finish options. Finish options are separated by a vertical ruled line. Lead/Ball Finish values may wrap to two lines if the finish value exceeds the maximum column width.

**Important Information and Disclaimer:**The information provided on this page represents TI's knowledge and belief as of the date that it is provided. TI bases its knowledge and belief on information provided by third parties, and makes no representation or warranty as to the accuracy of such information. Efforts are underway to better integrate information from third parties. TI has taken and continues to take reasonable steps to provide representative and accurate information but may not have conducted destructive testing or chemical analysis on incoming materials and chemicals. TI and TI suppliers consider certain information to be proprietary, and thus CAS numbers and other limited information may not be available for release.

In no event shall TI's liability arising out of such information exceed the total purchase price of the TI part(s) at issue in this document sold by TI to Customer on an annual basis.

**OTHER QUALIFIED VERSIONS OF CD4051B, CD4051B-MIL, CD4052B, CD4052B-MIL, CD4053B, CD4053B-MIL :**

● Catalog: [CD4051B](#), [CD4052B](#), [CD4053B](#)

● Automotive: [CD4051B-Q1](#), [CD4051B-Q1](#), [CD4053B-Q1](#), [CD4053B-Q1](#)

● Military: [CD4051B-MIL](#), [CD4052B-MIL](#), [CD4053B-MIL](#)

**NOTE: Qualified Version Definitions:**

● Catalog - TI's standard catalog product

● Automotive - Q100 devices qualified for high-reliability automotive applications targeting zero defects

- Military - QML certified for Military and Defense Applications

## TAPE AND REEL INFORMATION



### QUADRANT ASSIGNMENTS FOR PIN 1 ORIENTATION IN TAPE



\*All dimensions are nominal

| Device       | Package Type | Package Drawing | Pins | SPQ  | Reel Diameter (mm) | Reel Width W1 (mm) | A0 (mm) | B0 (mm) | K0 (mm) | P1 (mm) | W (mm) | Pin1 Quadrant |
|--------------|--------------|-----------------|------|------|--------------------|--------------------|---------|---------|---------|---------|--------|---------------|
| CD4051BM96   | SOIC         | D               | 16   | 2500 | 330.0              | 16.4               | 6.5     | 10.3    | 2.1     | 8.0     | 16.0   | Q1            |
| CD4051BM96   | SOIC         | D               | 16   | 2500 | 330.0              | 16.4               | 6.5     | 10.3    | 2.1     | 8.0     | 16.0   | Q1            |
| CD4051BM96   | SOIC         | D               | 16   | 2500 | 330.0              | 16.8               | 6.5     | 10.3    | 2.1     | 8.0     | 16.0   | Q1            |
| CD4051BM96G3 | SOIC         | D               | 16   | 2500 | 330.0              | 16.8               | 6.5     | 10.3    | 2.1     | 8.0     | 16.0   | Q1            |
| CD4051BM96G4 | SOIC         | D               | 16   | 2500 | 330.0              | 16.4               | 6.5     | 10.3    | 2.1     | 8.0     | 16.0   | Q1            |
| CD4051BM96G4 | SOIC         | D               | 16   | 2500 | 330.0              | 16.4               | 6.5     | 10.3    | 2.1     | 8.0     | 16.0   | Q1            |
| CD4051BPWR   | TSSOP        | PW              | 16   | 2000 | 330.0              | 12.4               | 6.9     | 5.6     | 1.6     | 8.0     | 12.0   | Q1            |
| CD4051BPWR   | TSSOP        | PW              | 16   | 2000 | 330.0              | 12.4               | 6.9     | 5.6     | 1.6     | 8.0     | 12.0   | Q1            |
| CD4051BPWRG4 | TSSOP        | PW              | 16   | 2000 | 330.0              | 12.4               | 6.9     | 5.6     | 1.6     | 8.0     | 12.0   | Q1            |
| CD4052BM96   | SOIC         | D               | 16   | 2500 | 330.0              | 16.8               | 6.5     | 10.3    | 2.1     | 8.0     | 16.0   | Q1            |
| CD4052BM96   | SOIC         | D               | 16   | 2500 | 330.0              | 16.4               | 6.5     | 10.3    | 2.1     | 8.0     | 16.0   | Q1            |
| CD4052BM96G3 | SOIC         | D               | 16   | 2500 | 330.0              | 16.8               | 6.5     | 10.3    | 2.1     | 8.0     | 16.0   | Q1            |
| CD4052BM96G4 | SOIC         | D               | 16   | 2500 | 330.0              | 16.4               | 6.5     | 10.3    | 2.1     | 8.0     | 16.0   | Q1            |
| CD4052BPWR   | TSSOP        | PW              | 16   | 2000 | 330.0              | 12.4               | 6.9     | 5.6     | 1.6     | 8.0     | 12.0   | Q1            |
| CD4052BPWR   | TSSOP        | PW              | 16   | 2000 | 330.0              | 12.4               | 6.9     | 5.6     | 1.6     | 8.0     | 12.0   | Q1            |
| CD4052BPWRG3 | TSSOP        | PW              | 16   | 2000 | 330.0              | 12.4               | 6.9     | 5.6     | 1.6     | 8.0     | 12.0   | Q1            |
| CD4052BPWRG4 | TSSOP        | PW              | 16   | 2000 | 330.0              | 12.4               | 6.9     | 5.6     | 1.6     | 8.0     | 12.0   | Q1            |
| CD4053BM96   | SOIC         | D               | 16   | 2500 | 330.0              | 16.4               | 6.5     | 10.3    | 2.1     | 8.0     | 16.0   | Q1            |

| Device       | Package Type | Package Drawing | Pins | SPQ  | Reel Diameter (mm) | Reel Width W1 (mm) | A0 (mm) | B0 (mm) | K0 (mm) | P1 (mm) | W (mm) | Pin1 Quadrant |
|--------------|--------------|-----------------|------|------|--------------------|--------------------|---------|---------|---------|---------|--------|---------------|
| CD4053BM96   | SOIC         | D               | 16   | 2500 | 330.0              | 16.8               | 6.5     | 10.3    | 2.1     | 8.0     | 16.0   | Q1            |
| CD4053BM96G3 | SOIC         | D               | 16   | 2500 | 330.0              | 16.8               | 6.5     | 10.3    | 2.1     | 8.0     | 16.0   | Q1            |
| CD4053BM96G4 | SOIC         | D               | 16   | 2500 | 330.0              | 16.4               | 6.5     | 10.3    | 2.1     | 8.0     | 16.0   | Q1            |
| CD4053BPWR   | TSSOP        | PW              | 16   | 2000 | 330.0              | 12.4               | 6.9     | 5.6     | 1.6     | 8.0     | 12.0   | Q1            |
| CD4053BPWR   | TSSOP        | PW              | 16   | 2000 | 330.0              | 12.4               | 6.9     | 5.6     | 1.6     | 8.0     | 12.0   | Q1            |
| CD4053BPWRG3 | TSSOP        | PW              | 16   | 2000 | 330.0              | 12.4               | 6.9     | 5.6     | 1.6     | 8.0     | 12.0   | Q1            |
| CD4053BPWRG4 | TSSOP        | PW              | 16   | 2000 | 330.0              | 12.4               | 6.9     | 5.6     | 1.6     | 8.0     | 12.0   | Q1            |

**TAPE AND REEL BOX DIMENSIONS**


\*All dimensions are nominal

| Device       | Package Type | Package Drawing | Pins | SPQ  | Length (mm) | Width (mm) | Height (mm) |
|--------------|--------------|-----------------|------|------|-------------|------------|-------------|
| CD4051BM96   | SOIC         | D               | 16   | 2500 | 333.2       | 345.9      | 28.6        |
| CD4051BM96   | SOIC         | D               | 16   | 2500 | 367.0       | 367.0      | 38.0        |
| CD4051BM96   | SOIC         | D               | 16   | 2500 | 364.0       | 364.0      | 27.0        |
| CD4051BM96G3 | SOIC         | D               | 16   | 2500 | 364.0       | 364.0      | 27.0        |
| CD4051BM96G4 | SOIC         | D               | 16   | 2500 | 367.0       | 367.0      | 38.0        |
| CD4051BM96G4 | SOIC         | D               | 16   | 2500 | 333.2       | 345.9      | 28.6        |
| CD4051BPWR   | TSSOP        | PW              | 16   | 2000 | 364.0       | 364.0      | 27.0        |
| CD4051BPWR   | TSSOP        | PW              | 16   | 2000 | 367.0       | 367.0      | 35.0        |
| CD4051BPWRG4 | TSSOP        | PW              | 16   | 2000 | 367.0       | 367.0      | 35.0        |
| CD4052BM96   | SOIC         | D               | 16   | 2500 | 364.0       | 364.0      | 27.0        |

| Device       | Package Type | Package Drawing | Pins | SPQ  | Length (mm) | Width (mm) | Height (mm) |
|--------------|--------------|-----------------|------|------|-------------|------------|-------------|
| CD4052BM96   | SOIC         | D               | 16   | 2500 | 333.2       | 345.9      | 28.6        |
| CD4052BM96G3 | SOIC         | D               | 16   | 2500 | 364.0       | 364.0      | 27.0        |
| CD4052BM96G4 | SOIC         | D               | 16   | 2500 | 333.2       | 345.9      | 28.6        |
| CD4052BPWR   | TSSOP        | PW              | 16   | 2000 | 367.0       | 367.0      | 35.0        |
| CD4052BPWR   | TSSOP        | PW              | 16   | 2000 | 364.0       | 364.0      | 27.0        |
| CD4052BPWRG3 | TSSOP        | PW              | 16   | 2000 | 364.0       | 364.0      | 27.0        |
| CD4052BPWRG4 | TSSOP        | PW              | 16   | 2000 | 367.0       | 367.0      | 35.0        |
| CD4053BM96   | SOIC         | D               | 16   | 2500 | 333.2       | 345.9      | 28.6        |
| CD4053BM96   | SOIC         | D               | 16   | 2500 | 364.0       | 364.0      | 27.0        |
| CD4053BM96G3 | SOIC         | D               | 16   | 2500 | 364.0       | 364.0      | 27.0        |
| CD4053BM96G4 | SOIC         | D               | 16   | 2500 | 333.2       | 345.9      | 28.6        |
| CD4053BPWR   | TSSOP        | PW              | 16   | 2000 | 364.0       | 364.0      | 27.0        |
| CD4053BPWR   | TSSOP        | PW              | 16   | 2000 | 367.0       | 367.0      | 35.0        |
| CD4053BPWRG3 | TSSOP        | PW              | 16   | 2000 | 364.0       | 364.0      | 27.0        |
| CD4053BPWRG4 | TSSOP        | PW              | 16   | 2000 | 367.0       | 367.0      | 35.0        |

D (R-PDSO-G16)

PLASTIC SMALL OUTLINE



- NOTES:
- A. All linear dimensions are in inches (millimeters).
  - B. This drawing is subject to change without notice.
  - C. Body length does not include mold flash, protrusions, or gate burrs. Mold flash, protrusions, or gate burrs shall not exceed 0.006 (0,15) each side.
  - D. Body width does not include interlead flash. Interlead flash shall not exceed 0.017 (0,43) each side.
  - E. Reference JEDEC MS-012 variation AC.

D (R-PDSO-G16)

PLASTIC SMALL OUTLINE



- NOTES:
- All linear dimensions are in millimeters.
  - This drawing is subject to change without notice.
  - Publication IPC-7351 is recommended for alternate designs.
  - Laser cutting apertures with trapezoidal walls and also rounding corners will offer better paste release. Customers should contact their board assembly site for stencil design recommendations. Refer to IPC-7525 for other stencil recommendations.
  - Customers should contact their board fabrication site for solder mask tolerances between and around signal pads.



4220204/A 02/2017

NOTES:

1. All linear dimensions are in millimeters. Any dimensions in parenthesis are for reference only. Dimensioning and tolerancing per ASME Y14.5M.
2. This drawing is subject to change without notice.
3. This dimension does not include mold flash, protrusions, or gate burrs. Mold flash, protrusions, or gate burrs shall not exceed 0.15 mm per side.
4. This dimension does not include interlead flash. Interlead flash shall not exceed 0.25 mm per side.
5. Reference JEDEC registration MO-153.

# EXAMPLE BOARD LAYOUT

PW0016A

TSSOP - 1.2 mm max height

SMALL OUTLINE PACKAGE



LAND PATTERN EXAMPLE  
EXPOSED METAL SHOWN  
SCALE: 10X



SOLDER MASK DETAILS

4220204/A 02/2017

NOTES: (continued)

- 6. Publication IPC-7351 may have alternate designs.
- 7. Solder mask tolerances between and around signal pads can vary based on board fabrication site.

# EXAMPLE STENCIL DESIGN

PW0016A

TSSOP - 1.2 mm max height

SMALL OUTLINE PACKAGE



SOLDER PASTE EXAMPLE  
BASED ON 0.125 mm THICK STENCIL  
SCALE: 10X

4220204/A 02/2017

NOTES: (continued)

8. Laser cutting apertures with trapezoidal walls and rounded corners may offer better paste release. IPC-7525 may have alternate design recommendations.
9. Board assembly site may have different recommendations for stencil design.

# MECHANICAL DATA

NS (R-PDSO-G\*\*)

PLASTIC SMALL-OUTLINE PACKAGE

14-PINS SHOWN



- NOTES:
- A. All linear dimensions are in millimeters.
  - B. This drawing is subject to change without notice.
  - C. Body dimensions do not include mold flash or protrusion, not to exceed 0,15.

J (R-GDIP-T\*\*)

14 LEADS SHOWN

CERAMIC DUAL IN-LINE PACKAGE



| DIM \ PINS ** | 14                     | 16                     | 18                     | 20                     |
|---------------|------------------------|------------------------|------------------------|------------------------|
| A             | 0.300<br>(7,62)<br>BSC | 0.300<br>(7,62)<br>BSC | 0.300<br>(7,62)<br>BSC | 0.300<br>(7,62)<br>BSC |
| B MAX         | 0.785<br>(19,94)       | .840<br>(21,34)        | 0.960<br>(24,38)       | 1.060<br>(26,92)       |
| B MIN         | —                      | —                      | —                      | —                      |
| C MAX         | 0.300<br>(7,62)        | 0.300<br>(7,62)        | 0.310<br>(7,87)        | 0.300<br>(7,62)        |
| C MIN         | 0.245<br>(6,22)        | 0.245<br>(6,22)        | 0.220<br>(5,59)        | 0.245<br>(6,22)        |



4040083/F 03/03

- NOTES:
- All linear dimensions are in inches (millimeters).
  - This drawing is subject to change without notice.
  - This package is hermetically sealed with a ceramic lid using glass frit.
  - Index point is provided on cap for terminal identification only on press ceramic glass frit seal only.
  - Falls within MIL STD 1835 GDIP1-T14, GDIP1-T16, GDIP1-T18 and GDIP1-T20.

N (R-PDIP-T\*\*)

PLASTIC DUAL-IN-LINE PACKAGE

16 PINS SHOWN



- NOTES:
- A. All linear dimensions are in inches (millimeters).
  - B. This drawing is subject to change without notice.
  - Falls within JEDEC MS-001, except 18 and 20 pin minimum body length (Dim A).
  - The 20 pin end lead shoulder width is a vendor option, either half or full width.

## IMPORTANT NOTICE AND DISCLAIMER

TI PROVIDES TECHNICAL AND RELIABILITY DATA (INCLUDING DATASHEETS), DESIGN RESOURCES (INCLUDING REFERENCE DESIGNS), APPLICATION OR OTHER DESIGN ADVICE, WEB TOOLS, SAFETY INFORMATION, AND OTHER RESOURCES "AS IS" AND WITH ALL FAULTS, AND DISCLAIMS ALL WARRANTIES, EXPRESS AND IMPLIED, INCLUDING WITHOUT LIMITATION ANY IMPLIED WARRANTIES OF MERCHANTABILITY, FITNESS FOR A PARTICULAR PURPOSE OR NON-INFRINGEMENT OF THIRD PARTY INTELLECTUAL PROPERTY RIGHTS.

These resources are intended for skilled developers designing with TI products. You are solely responsible for (1) selecting the appropriate TI products for your application, (2) designing, validating and testing your application, and (3) ensuring your application meets applicable standards, and any other safety, security, or other requirements. These resources are subject to change without notice. TI grants you permission to use these resources only for development of an application that uses the TI products described in the resource. Other reproduction and display of these resources is prohibited. No license is granted to any other TI intellectual property right or to any third party intellectual property right. TI disclaims responsibility for, and you will fully indemnify TI and its representatives against, any claims, damages, costs, losses, and liabilities arising out of your use of these resources.

TI's products are provided subject to TI's Terms of Sale ([www.ti.com/legal/termsofsale.html](http://www.ti.com/legal/termsofsale.html)) or other applicable terms available either on [ti.com](http://ti.com) or provided in conjunction with such TI products. TI's provision of these resources does not expand or otherwise alter TI's applicable warranties or warranty disclaimers for TI products.

Mailing Address: Texas Instruments, Post Office Box 655303, Dallas, Texas 75265  
Copyright © 2018, Texas Instruments Incorporated

## Looking for pricing, stock, or lifecycle information?

Click below to explore more details on WIN SOURCE:

 [View CD4052BPWR on WIN SOURCE](#)

 [Texas Instruments](#) Information

## Optimize Your Supply Chain with WIN SOURCE Solutions

-  Global Sourcing Solution
-  Obsolete Management
-  Cost Control Management
-  Shortage Management
-  Alternative Solution
-  Excess Inventory Management