



THE DATASHEET OF CD4051BCN



CD4051BC • CD4052BC • CD4053BC

Single 8-Channel Analog Multiplexer/Demultiplexer • Dual 4-Channel Analog Multiplexer/Demultiplexer • Triple 2-Channel Analog Multiplexer/Demultiplexer

General Description

The CD4051BC, CD4052BC, and CD4053BC analog multiplexers/demultiplexers are digitally controlled analog switches having low "ON" impedance and very low "OFF" leakage currents. Control of analog signals up to $15V_{p-p}$ can be achieved by digital signal amplitudes of 3–15V. For example, if $V_{DD} = 5V$, $V_{SS} = 0V$ and $V_{EE} = -5V$, analog signals from $-5V$ to $+5V$ can be controlled by digital inputs of 0–5V. The multiplexer circuits dissipate extremely low quiescent power over the full $V_{DD}-V_{SS}$ and $V_{DD}-V_{EE}$ supply voltage ranges, independent of the logic state of the control signals. When a logical "1" is present at the inhibit input terminal all channels are "OFF".

CD4051BC is a single 8-channel multiplexer having three binary control inputs, A, B, and C, and an inhibit input. The three binary signals select 1 of 8 channels to be turned "ON" and connect the input to the output.

CD4052BC is a differential 4-channel multiplexer having two binary control inputs, A and B, and an inhibit input. The two binary input signals select 1 or 4 pairs of channels to be turned on and connect the differential analog inputs to the differential outputs.

CD4053BC is a triple 2-channel multiplexer having three separate digital control inputs, A, B, and C, and an inhibit input. Each control input selects one of a pair of channels which are connected in a single-pole double-throw configuration.

Features

- Wide range of digital and analog signal levels: digital 3 – 15V, analog to $15V_{p-p}$
- Low "ON" resistance: 80Ω (typ.) over entire $15V_{p-p}$ signal-input range for $V_{DD} - V_{EE} = 15V$
- High "OFF" resistance: channel leakage of ± 10 pA (typ.) at $V_{DD} - V_{EE} = 10V$
- Logic level conversion for digital addressing signals of 3 – 15V ($V_{DD} - V_{SS} = 3 - 15V$) to switch analog signals to $15V_{p-p}$ ($V_{DD} - V_{EE} = 15V$)
- Matched switch characteristics: $\Delta R_{ON} = 5\Omega$ (typ.) for $V_{DD} - V_{EE} = 15V$
- Very low quiescent power dissipation under all digital-control input and supply conditions: $1\mu W$ (typ.) at $V_{DD} - V_{SS} = V_{DD} - V_{EE} = 10V$
- Binary address decoding on chip

Ordering Code:

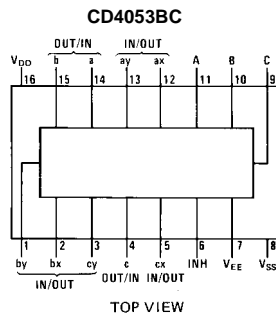
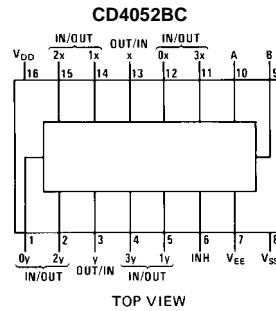
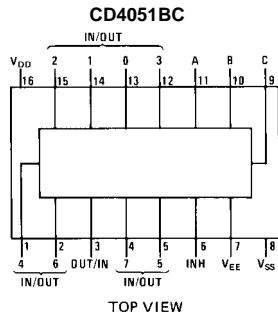
Order Number	Package Number	Package Description
CD4051BCM	M16A	16-Lead Small Outline Integrated Circuit (SOIC), JEDEC MS-012, 0.150" Narrow
CD4051BCSJ	M16D	16-Lead Small Outline Package (SOP), EIAJ TYPE II, 5.3mm Wide
CD4051BCMTC	MTC16	16-Lead Thin Shrink Small Outline Package (TSSOP), JEDEC MO-153, 4.4mm Wide
CD4051BCN	N16E	16-Lead Plastic Dual-In-Line Package (PDIP), JEDEC MS-001, 0.300" Wide
CD4052BCM	M16A	16-Lead Small Outline Integrated Circuit (SOIC), JEDEC MS-012, 0.150" Narrow
CD4052BCSJ	M16D	16-Lead Small Outline Package (SOP), EIAJ TYPE II, 5.3mm Wide
CD4052BCN	N16E	16-Lead Plastic Dual-In-Line Package (PDIP), JEDEC MS-001, 0.300" Wide
CD4053BCM	M16A	16-Lead Small Outline Integrated Circuit (SOIC), JEDEC MS-012, 0.150" Narrow
CD4053BCSJ	M16D	16-Lead Small Outline Package (SOP), EIAJ TYPE II, 5.3mm Wide
CD4053BCN	N16E	16-Lead Plastic Dual-In-Line Package (PDIP), JEDEC MS-001, 0.300" Wide

Devices also available in Tape and Reel. Specify by appending the suffix letter "X" to the ordering code.

CD4051BC • CD4052BC • CD4053BC Single 8-Channel Analog Multiplexer/Demultiplexer • Dual 4-Channel Analog Multiplexer/Demultiplexer • Triple 2-Channel Analog Multiplexer/Demultiplexer

Connection Diagrams

Pin Assignments for DIP and SOIC



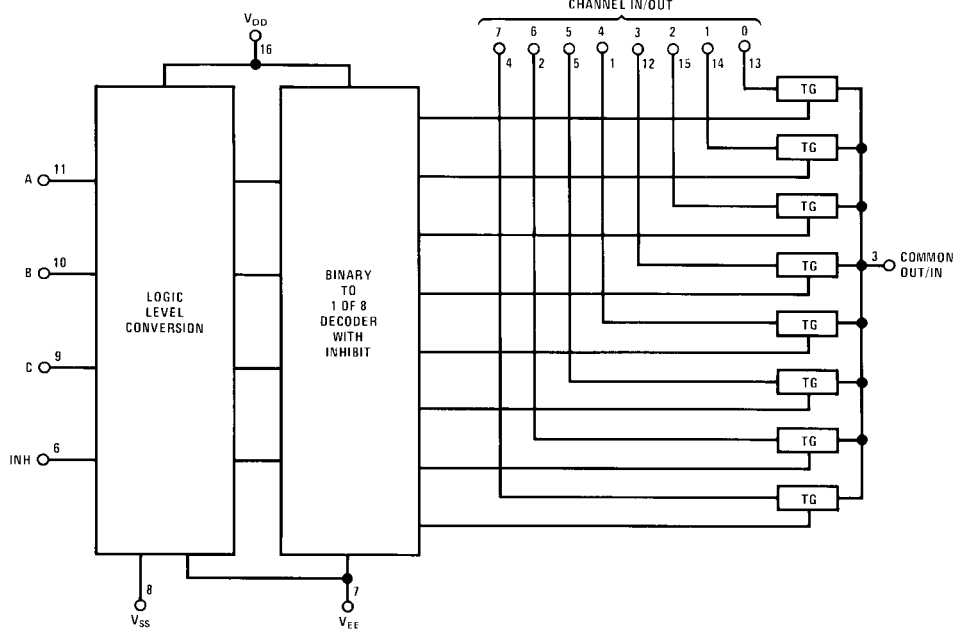
Truth Table

INPUT STATES				"ON" CHANNELS		
INHIBIT	C	B	A	CD4051B	CD4052B	CD4053B
0	0	0	0	0	0X, 0Y	cx, bx, ax
0	0	0	1	1	1X, 1Y	cx, bx, ay
0	0	1	0	2	2X, 2Y	cx, by, ax
0	0	1	1	3	3X, 3Y	cx, by, ay
0	1	0	0	4		cy, bx, ax
0	1	0	1	5		cy, bx, ay
0	1	1	0	6		cy, by, ax
0	1	1	1	7		cy, by, ay
1	*	*	*	NONE	NONE	NONE

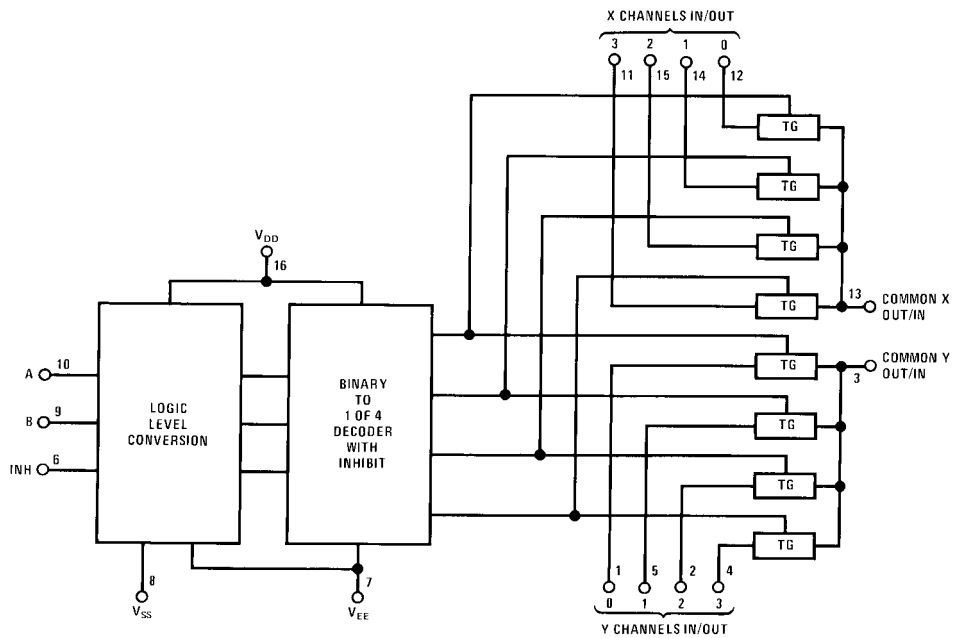
*Don't Care condition.

Logic Diagrams

CD4051BC

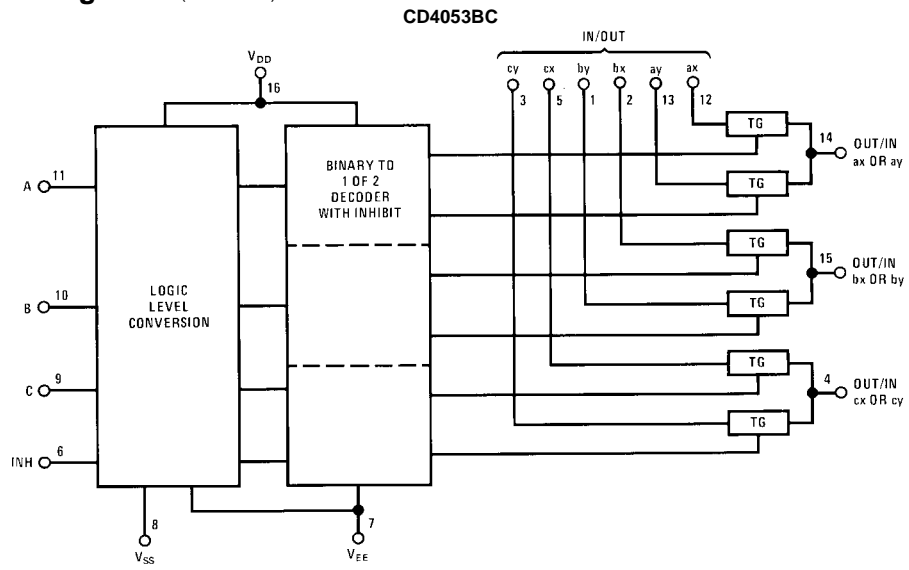


CD4052BC



CD4051BC • CD4052BC • CD4053BC

Logic Diagrams (Continued)



Absolute Maximum Ratings (Note 1)

DC Supply Voltage (V_{DD})	-0.5 V_{DC} to +18 V_{DC}
Input Voltage (V_{IN})	-0.5 V_{DC} to V_{DD} +0.5 V_{DC}
Storage Temperature Range (T_S)	-65°C to +150°C
Power Dissipation (P_D)	
Dual-In-Line	700 mW
Small Outline	500 mW
Lead Temperature (T_L) (soldering, 10 seconds)	260°C

Recommended Operating Conditions

DC Supply Voltage (V_{DD})	+5 V_{DC} to +15 V_{DC}
Input Voltage (V_{IN})	0V to V_{DD} V_{DC}
Operating Temperature Range (T_A)	
CD4051BC/CD4052BC/CD4053BC	-55°C to +125°C

Note 1: "Absolute Maximum Ratings" are those values beyond which the safety of the device cannot be guaranteed. Except for "Operating Temperature Range" they are not meant to imply that the devices should be operated at these limits. The Electrical Characteristics tables provide conditions for actual device operation.

DC Electrical Characteristics (Note 2)

Symbol	Parameter	Conditions	-55°C		+25°			125°C		Units	
			Min	Max	Min	Typ	Max	Min	Max		
Control A, B, C and Inhibit											
I_{IN}	Input Current	$V_{DD} = 15V, V_{EE} = 0V$ $V_{IN} = 0V$		-0.1		-10 ⁻⁵	-0.1		-1.0	μA	
		$V_{DD} = 15V, V_{EE} = 0V$ $V_{IN} = 15V$		0.1		10 ⁻⁵	0.1		1.0		
I_{DD}	Quiescent Device Current	$V_{DD} = 5V$ $V_{DD} = 10V$ $V_{DD} = 15V$		5 10 20			5 10 20		150 300 600	μA	
Signal Inputs (V_{IS}) and Outputs (V_{OS})											
R_{ON}	"ON" Resistance (Peak for $V_{EE} \leq V_{IS} \leq V_{DD}$)	$R_L = 10\text{ k}\Omega$ (any channel selected)	$V_{DD} = 2.5V, V_{EE} = -2.5V$ or $V_{DD} = 5V, V_{EE} = 0V$		800		270	1050		1300	Ω
			$V_{DD} = 5V, V_{EE} = -5V$ or $V_{DD} = 10V, V_{EE} = 0V$		310		120	400		550	Ω
			$V_{DD} = 7.5V, V_{EE} = -7.5V$ or $V_{DD} = 15V, V_{EE} = 0V$		200		80	240		320	Ω
ΔR_{ON}	Δ "ON" Resistance Between Any Two Channels	$R_L = 10\text{ k}\Omega$ (any channel selected)	$V_{DD} = 2.5V, V_{EE} = -2.5V$ or $V_{DD} = 5V, V_{EE} = 0V$				10				Ω
			$V_{DD} = 5V, V_{EE} = -5V$ or $V_{DD} = 10V, V_{EE} = 0V$				10				Ω
			$V_{DD} = 7.5V, V_{EE} = -7.5V$ or $V_{DD} = 15V, V_{EE} = 0V$				5				Ω
	"OFF" Channel Leakage Current, any channel "OFF"	$V_{DD} = 7.5V, V_{EE} = -7.5V$ $O/I = \pm 7.5V, I/O = 0V$		± 50		± 0.01	± 50		± 500	nA	
	"OFF" Channel Leakage Current, all channels	Inhibit = 7.5V $V_{DD} = 7.5V, V_{EE} = -7.5V, O/I = 0V$		± 200		± 0.08	± 200		± 2000	nA	
	"OFF" (Common OUT/IN)	$V_{DD} = 7.5V, V_{EE} = -7.5V, O/I = 0V$ $I/O = \pm 7.5V$		± 200		± 0.04	± 200		± 2000	nA	
				± 200		± 0.02	± 200		± 2000	nA	

DC Electrical Characteristics (Continued)										
Symbol	Parameter	Conditions	-55°C		+25°			125°C		Units
			Min	Max	Min	Typ	Max	Min	Max	
Control Inputs A, B, C and Inhibit										
V_{IL}	LOW Level Input Voltage	$V_{EE} = V_{SS}$ $R_L = 1\text{ k}\Omega$ to V_{SS} $I_{IS} < 2\text{ }\mu\text{A}$ on all OFF Channels $V_{IS} = V_{DD}$ thru $1\text{ k}\Omega$ $V_{DD} = 5\text{V}$ $V_{DD} = 10\text{V}$ $V_{DD} = 15\text{V}$								
				1.5			1.5		1.5	V
				3.0			3.0		3.0	V
				4.0			4.0		4.0	V
V_{IH}	HIGH Level Input Voltage	$V_{DD} = 5$ $V_{DD} = 10$ $V_{DD} = 15$	3.5		3.5			3.5		V
			7		7			7		V
			11		11			11		V
<p>Note 2: All voltages measured with respect to V_{SS} unless otherwise specified.</p>										

AC Electrical Characteristics (Note 3)							
$T_A = 25^\circ\text{C}$, $t_r = t_f = 20\text{ ns}$, unless otherwise specified.							
Symbol	Parameter	Conditions	V_{DD}	Min	Typ	Max	Units
t_{PZH} , t_{PZL}	Propagation Delay Time from Inhibit to Signal Output (channel turning on)	$V_{EE} = V_{SS} = 0V$ $R_L = 1\text{ k}\Omega$ $C_L = 50\text{ pF}$	5V 10V 15V		600 225 160	1200 450 320	ns
t_{PHZ} , t_{PLZ}	Propagation Delay Time from Inhibit to Signal Output (channel turning off)	$V_{EE} = V_{SS} = 0V$ $R_L = 1\text{ k}\Omega$ $C_L = 50\text{ pF}$	5V 10V 15V		210 100 75	420 200 150	ns
C_{IN}	Input Capacitance Control input Signal Input (IN/OUT)				5 10	7.5 15	pF
C_{OUT}	Output Capacitance (common OUT/IN)						
	CD4051 CD4052 CD4053	$V_{EE} = V_{SS} = 0V$	10V 10V 10V		30 15 8		pF
C_{IOS}	Feedthrough Capacitance				0.2		pF
C_{PD}	Power Dissipation Capacitance						
	CD4051 CD4052 CD4053				110 140 70		pF
Signal Inputs (V_{IS}) and Outputs (V_{OS})							
	Sine Wave Response (Distortion)	$R_L = 10\text{ k}\Omega$ $f_{IS} = 1\text{ kHz}$ $V_{IS} = 5\text{ V}_{p-p}$ $V_{EE} = V_{SI} = 0V$	10V		0.04		%
	Frequency Response, Channel "ON" (Sine Wave Input)	$R_L = 1\text{ k}\Omega$, $V_{EE} = 0V$, $V_{IS} = 5V_{p-p}$, $20 \log_{10} V_{OS}/V_{IS} = -3\text{ dB}$	10V		40		MHz
	Feedthrough, Channel "OFF"	$R_L = 1\text{ k}\Omega$, $V_{EE} = V_{SS} = 0V$, $V_{IS} = 5V_{p-p}$, $20 \log_{10} V_{OS}/V_{IS} = -40\text{ dB}$	10V		10		MHz
	Crosstalk Between Any Two Channels (frequency at 40 dB)	$R_L = 1\text{ k}\Omega$, $V_{EE} = V_{SS} = 0V$, $V_{IS}(A) = 5V_{p-p}$, $20 \log_{10} V_{OS}(B)/V_{IS}(A) = -40\text{ dB}$ (Note 4)	10V		3		MHz
t_{PHL} , t_{PLH}	Propagation Delay Signal Input to Signal Output	$V_{EE} = V_{SS} = 0V$ $C_L = 50\text{ pF}$	5V 10V 15V		25 15 10	55 35 25	ns
Control Inputs, A, B, C and Inhibit							
	Control Input to Signal Crosstalk	$V_{EE} = V_{SS} = 0V$, $R_L = 10\text{ k}\Omega$ at both ends of channel. Input Square Wave Amplitude = 10V	10V		65		mV (peak)
t_{PHL} , t_{PLH}	Propagation Delay Time from Address to Signal Output (channels "ON" or "OFF")	$V_{EE} = V_{SS} = 0V$ $C_L = 50\text{ pF}$	5V 10V 15V		500 180 120	1000 360 240	ns
<p>Note 3: AC Parameters are guaranteed by DC correlated testing.</p> <p>Note 4: A, B are two arbitrary channels with A turned "ON" and B "OFF".</p>							

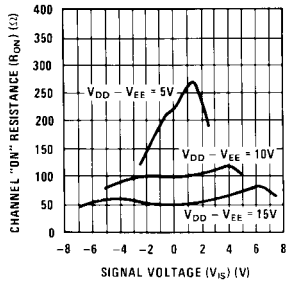
Special Considerations

In certain applications the external load-resistor current may include both V_{DD} and signal-line components. To avoid drawing V_{DD} current when switch current flows into IN/OUT pin, the voltage drop across the bidirectional

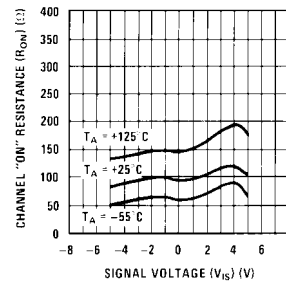
switch must not exceed 0.6V at $T_A \leq 25^\circ\text{C}$, or 0.4V at $T_A > 25^\circ\text{C}$ (calculated from R_{ON} values shown). No V_{DD} current will flow through R_L if the switch current flows into OUT/IN pin.

Typical Performance Characteristics

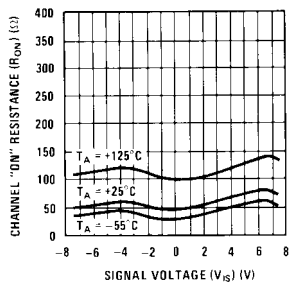
“ON” Resistance vs Signal Voltage for $T_A = 25^\circ\text{C}$



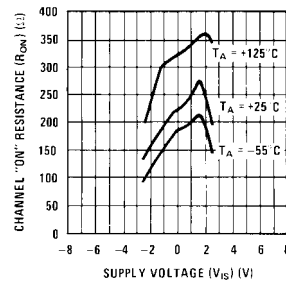
“ON” Resistance as a Function of Temperature for $V_{DD} - V_{EE} = 10V$



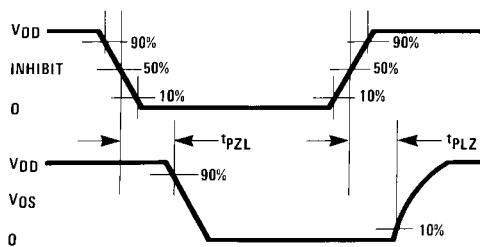
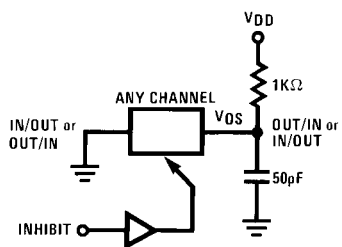
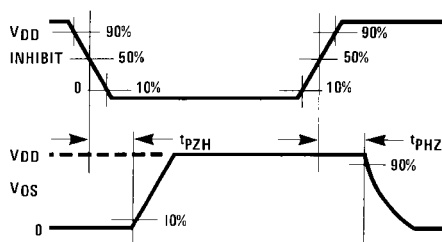
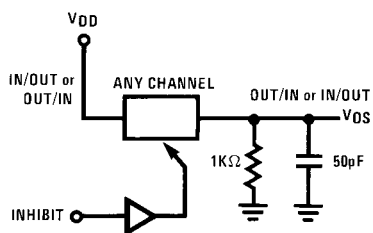
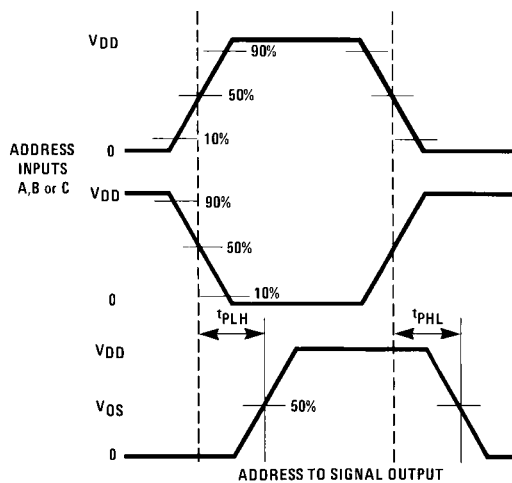
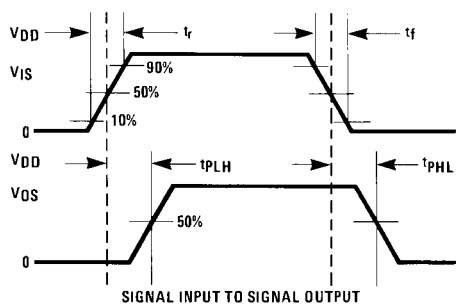
“ON” Resistance as a Function of Temperature for $V_{DD} - V_{EE} = 15V$



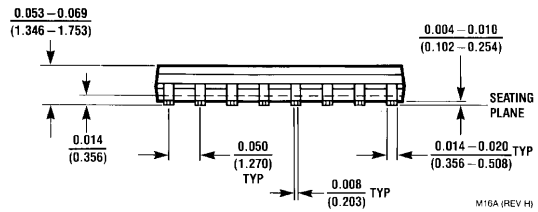
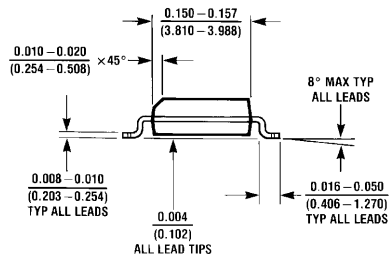
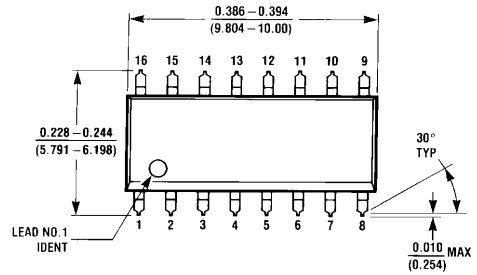
“ON” Resistance as a Function of Temperature for $V_{DD} - V_{EE} = 5V$



Switching Time Waveforms



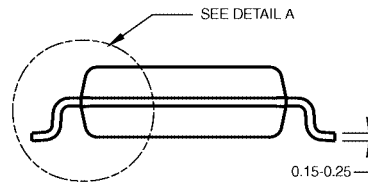
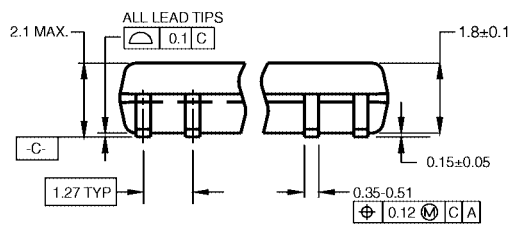
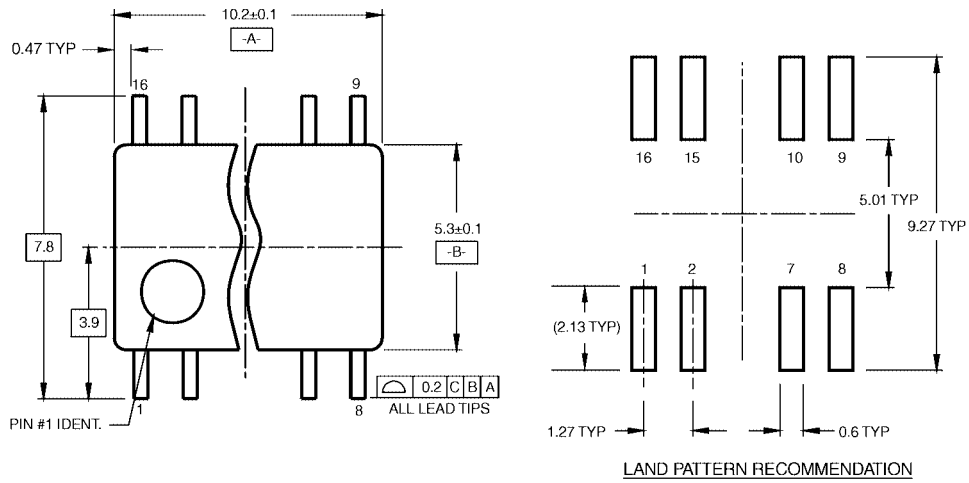
Physical Dimensions inches (millimeters) unless otherwise noted



16-Lead Small Outline Integrated Circuit (SOIC), JEDEC MS-012, 0.150" Narrow Package Number M16A

M16A (REV H)

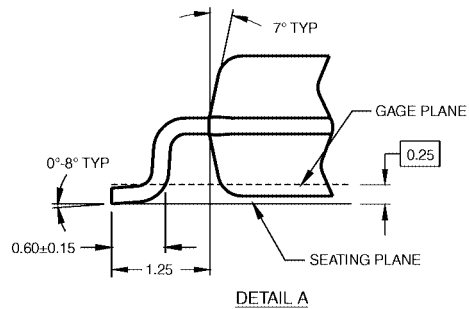
Physical Dimensions inches (millimeters) unless otherwise noted (Continued)



DIMENSIONS ARE IN MILLIMETERS

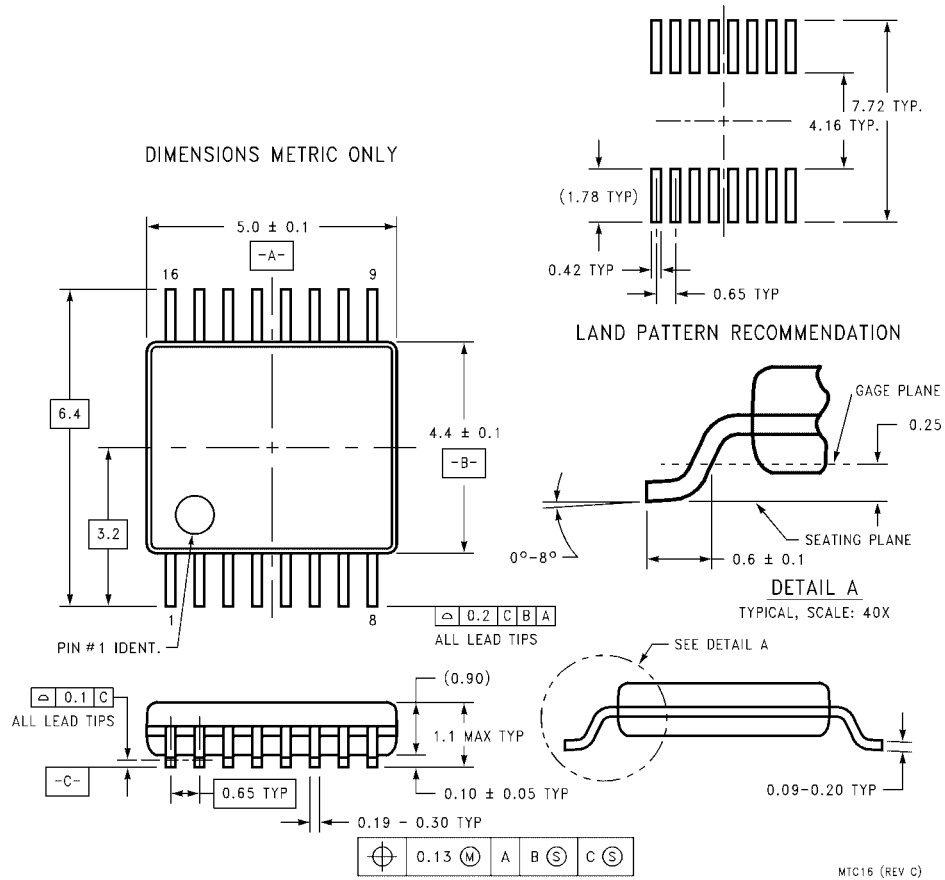
- NOTES:
 A. CONFORMS TO EIAJ EDR-7320 REGISTRATION, ESTABLISHED IN DECEMBER, 1998.
 B. DIMENSIONS ARE IN MILLIMETERS.
 C. DIMENSIONS ARE EXCLUSIVE OF BURRS, MOLD FLASH, AND TIE BAR EXTRUSIONS.

M16DRevB1



**16-Lead Small Outline Package (SOP), EIAJ TYPE II, 5.3mm Wide
 Package Number M16D**

Physical Dimensions inches (millimeters) unless otherwise noted (Continued)



**16-Lead Thin Shrink Small Outline Package (TSSOP), JEDEC MO-153, 4.4mm Wide
Package Number MTC16**

Looking for pricing, stock, or lifecycle information?

Click below to explore more details on WIN SOURCE:

-  [View CD4051BCN on WIN SOURCE](#)
-  [Fairchild/ON Semiconductor Information](#)

Optimize Your Supply Chain with WIN SOURCE Solutions

-  Global Sourcing Solution
-  Obsolete Management
-  Cost Control Management
-  Shortage Management
-  Alternative Solution
-  Excess Inventory Management