



**THE DATASHEET OF
CD4013BM96G4**



CD4013B CMOS Dual D-Type Flip-Flop

1 Features

- Asynchronous Set-Reset Capability
- Static Flip-Flop Operation
- Medium-Speed Operation: 16 MHz (Typical) Clock Toggle Rate at 10-V Supply
- Standardized Symmetrical Output Characteristics
- Maximum Input Current Of 1- μ A at 18 V Over Full Package Temperature Range:
 - 100 nA at 18 V and 25°C
- Noise Margin (Over Full Package Temperature Range):
 - 1 V at $V_{DD} = 5$ V
 - 2 V at $V_{DD} = 10$ V
 - 2.5 V at $V_{DD} = 15$ V

2 Applications

- Power Delivery
- Grid Infrastructure
- Medical, Healthcare, and Fitness
- Body Electronics and Lighting
- Building Automation
- Telecom Infrastructure
- Test and Measurement

3 Description

The CD4013B device consists of two identical, independent data-type flip-flops. Each flip-flop has independent data, set, reset, and clock inputs and Q and \bar{Q} outputs. These devices can be used for shift register applications, and, by connecting \bar{Q} output to the data input, for counter and toggle applications. The logic level present at the D input is transferred to the Q output during the positive-going transition of the clock pulse. Setting or resetting is independent of the clock and is accomplished by a high level on the set or reset line, respectively.

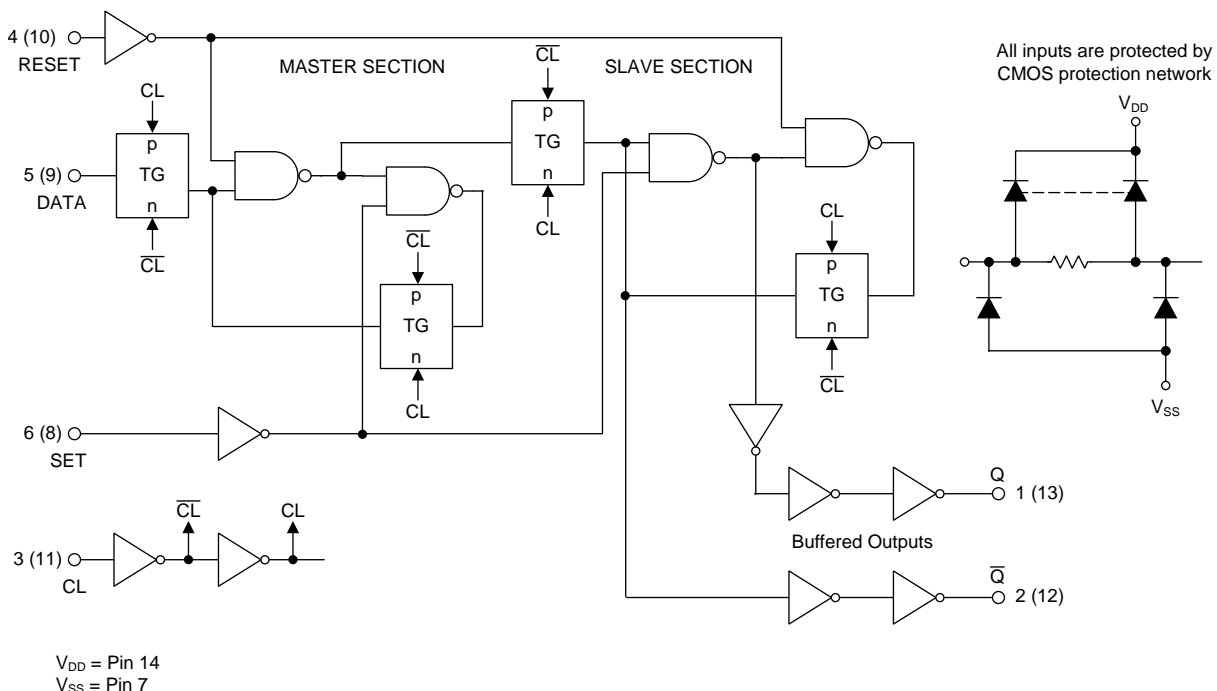
The CD4013B types are supplied in 14-pin dual-in-line packages (E suffix), 14-pin small-outline packages (M, MT, M96, and NSR suffixes), and 14-pin thin shrink small-outline packages (PW and PWR suffixes).

Device Information⁽¹⁾

| PART NUMBER | PACKAGE | BODY SIZE (NOM) |
|-------------|------------|--------------------|
| CD4013BE | PDIP (14) | 19.30 mm x 6.35 mm |
| CD4013BF | CDIP (14) | 19.50 mm x 6.92 mm |
| CD4013BM | SOIC (14) | 8.65 mm x 3.90 mm |
| CD4013BNS | SO (14) | 10.20 mm x 5.30 mm |
| CD4013BPW | TSSOP (14) | 5.00 mm x 4.40 mm |

(1) For all available packages, see the orderable addendum at the end of the data sheet.

Logic Diagram



Copyright © 2016, Texas Instruments Incorporated



An IMPORTANT NOTICE at the end of this data sheet addresses availability, warranty, changes, use in safety-critical applications, intellectual property matters and other important disclaimers. PRODUCTION DATA.

Table of Contents

| | |
|---|--|
| 1 Features 1 2 Applications 1 3 Description 1 4 Revision History 2 5 Pin Configuration and Functions 3 6 Specifications 4 6.1 Absolute Maximum Ratings 4 6.2 ESD Ratings..... 4 6.3 Recommended Operating Conditions 4 6.4 Thermal Information 5 6.5 Electrical Characteristics: Static..... 5 6.6 Electrical Characteristics: Dynamic..... 7 6.7 Typical Characteristics 8 7 Detailed Description 10 7.1 Overview 10 7.2 Functional Block Diagram 10 7.3 Feature Description 10 | 7.4 Device Functional Modes..... 10 8 Application and Implementation 11 8.1 Application Information..... 11 8.2 Typical Application 11 9 Power Supply Recommendations 12 10 Layout 12 10.1 Layout Guidelines 12 10.2 Layout Example 12 11 Device and Documentation Support 14 11.1 Documentation Support 14 11.2 Receiving Notification of Documentation Updates 14 11.3 Community Resources..... 14 11.4 Trademarks 14 11.5 Electrostatic Discharge Caution..... 14 11.6 Glossary 14 12 Mechanical, Packaging, and Orderable Information 14 |
|---|--|

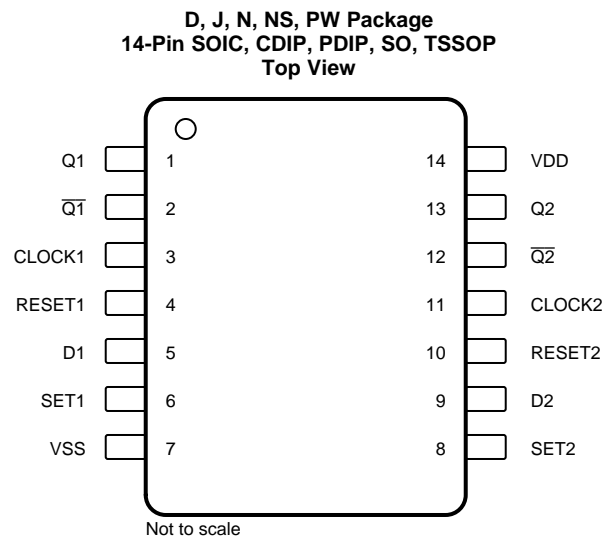
4 Revision History

Changes from Revision D (March 2005) to Revision E

Page

- | | |
|---|-------------------|
| <ul style="list-style-type: none"> • Added <i>ESD Ratings</i> table, <i>Feature Description</i> section, <i>Device Functional Modes</i>, <i>Application and Implementation</i> section, <i>Power Supply Recommendations</i> section, <i>Layout</i> section, <i>Device and Documentation Support</i> section, and <i>Mechanical, Packaging, and Orderable Information</i> section 1 • Added <i>Thermal Information</i> table 5 | <p>1</p> <p>5</p> |
|---|-------------------|

5 Pin Configuration and Functions



Pin Functions

| PIN | | I/O | DESCRIPTION |
|-----|-----------------|-----|---------------------------|
| NO. | NAME | | |
| 1 | Q1 | O | Channel 1 output |
| 2 | $\overline{Q1}$ | O | Inverted channel 1 output |
| 3 | CLOCK1 | I | Channel 1 clock input |
| 4 | RESET1 | I | Channel 1 reset |
| 5 | D1 | I | Channel 1 data input |
| 6 | SET1 | I | Channel 1 set |
| 7 | V _{SS} | — | Ground |
| 8 | SET2 | I | Channel 2 set |
| 9 | D2 | I | Channel 2 data input |
| 10 | RESET2 | I | Channel 2 reset |
| 11 | CLOCK2 | I | Channel 2 clock input |
| 12 | $\overline{Q2}$ | O | Inverted channel 2 output |
| 13 | Q2 | O | Channel 2 output |
| 14 | V _{DD} | — | Power supply |

6 Specifications

6.1 Absolute Maximum Ratings

over operating free-air temperature range (unless otherwise noted)⁽¹⁾

| | MIN | MAX | UNIT |
|--|---|----------------|------------------|
| DC supply voltage, V_{DD} ⁽²⁾ | -0.5 | 20 | V |
| Input voltage, all inputs | -0.5 | $V_{DD} + 0.5$ | V |
| DC input current, any one input | | 10 | mA |
| Power dissipation, P_D | $T_A = -55^\circ\text{C}$ to 100°C | 500 | mW |
| | $T_A = 100^\circ\text{C}$ to 125°C ⁽³⁾ | 200 | |
| Device dissipation per output transistor | | 100 | mW |
| Operating temperature, T_A | -55 | 125 | $^\circ\text{C}$ |
| Storage temperature, T_{stg} | -65 | 150 | $^\circ\text{C}$ |

- (1) Stresses beyond those listed under *Absolute Maximum Ratings* may cause permanent damage to the device. These are stress ratings only, which do not imply functional operation of the device at these or any other conditions beyond those indicated under *Recommended Operating Conditions*. Exposure to absolute-maximum-rated conditions for extended periods may affect device reliability.
- (2) Voltages reference to V_{SS} terminal
- (3) Derate linearity at $12\text{ mW}/^\circ\text{C}$

6.2 ESD Ratings

| | VALUE | UNIT |
|-------------------------------------|--|------------|
| $V_{(ESD)}$ Electrostatic discharge | Human-body model (HBM), per ANSI/ESDA/JEDEC JS-001 ⁽¹⁾ | ± 2000 |
| | Charged-device model (CDM), per JEDEC specification JESD22-C101 ⁽²⁾ | ± 1000 |

- (1) JEDEC document JEP155 states that 500-V HBM allows safe manufacturing with a standard ESD control process.
- (2) JEDEC document JEP157 states that 250-V CDM allows safe manufacturing with a standard ESD control process.

6.3 Recommended Operating Conditions

over operating free-air temperature range (unless otherwise noted)

| | MIN | TYP | MAX | UNIT |
|---|---------------|-----|-----|---------------|
| Supply voltage | 3 | | 18 | V |
| t_S Data setup time | $V_{DD} = 5$ | 40 | | ns |
| | $V_{DD} = 10$ | 20 | | |
| | $V_{DD} = 15$ | 15 | | |
| t_W Clock pulse width | $V_{DD} = 5$ | 140 | | ns |
| | $V_{DD} = 10$ | 60 | | |
| | $V_{DD} = 15$ | 40 | | |
| f_{CL} Clock input frequency | $V_{DD} = 5$ | 3.5 | 7 | MHz |
| | $V_{DD} = 10$ | 8 | 16 | |
| | $V_{DD} = 15$ | 12 | 24 | |
| t_{rCL} ⁽¹⁾ t_{fCL} Clock rise or fall time | $V_{DD} = 5$ | | 15 | μs |
| | $V_{DD} = 10$ | | 10 | |
| | $V_{DD} = 15$ | | 5 | |
| t_W Set or reset pulse width | $V_{DD} = 5$ | 180 | | ns |
| | $V_{DD} = 10$ | 80 | | |
| | $V_{DD} = 15$ | 50 | | |

- (1) If more than one unit is cascaded in a parallel clocked operation, t_{rCL} must be made less than or equal to the sum of the fixed propagation delay time at 15 pF and the transition time of the output driving stage for the estimated capacitive load.

6.4 Thermal Information

| THERMAL METRIC ⁽¹⁾ | CD4013B | | | | UNIT |
|---|----------|----------|---------|------------|------|
| | N (PDIP) | D (SOIC) | NS (SO) | PW (TSSOP) | |
| | 14 PINS | 14 PINS | 14 PINS | 14 PINS | |
| R _{θJA} Junction-to-ambient thermal resistance | 47.1 | 92.5 | 89.3 | 121 | °C/W |
| R _{θJC(top)} Junction-to-case (top) thermal resistance | 34.5 | 54 | 47.1 | 49.6 | °C/W |
| R _{θJB} Junction-to-board thermal resistance | 27.1 | 46.8 | 48 | 62.7 | °C/W |
| ψ _{JT} Junction-to-top characterization parameter | 19.4 | 19 | 17 | 5.9 | °C/W |
| ψ _{JB} Junction-to-board characterization parameter | 27 | 46.5 | 47.7 | 62.1 | °C/W |

(1) For more information about traditional and new thermal metrics, see the [Semiconductor and IC Package Thermal Metrics](#) application report.

6.5 Electrical Characteristics: Static

over operating free-air temperature range (unless otherwise noted)

| PARAMETER | TEST CONDITIONS | MIN | TYP | MAX | UNIT | |
|---|---|------------------------|-----|------|------|----|
| I _{DDmax} Quiescent device current | V _{IN} = 0 or 5, V _{DD} = 5 | T _A = -55°C | | | 1 | μA |
| | | T _A = -40°C | | | 1 | |
| | | T _A = 25°C | | 0.02 | 1 | |
| | | T _A = 85°C | | | 30 | |
| | | T _A = 125°C | | | 30 | |
| | V _{IN} = 0 or 10, V _{DD} = 10 | T _A = -55°C | | | 2 | |
| | | T _A = -40°C | | | 2 | |
| | | T _A = 25°C | | 0.02 | 2 | |
| | | T _A = 85°C | | | 60 | |
| | | T _A = 125°C | | | 60 | |
| | V _{IN} = 0 or 15, V _{DD} = 15 | T _A = -55°C | | | 4 | |
| | | T _A = -40°C | | | 4 | |
| | | T _A = 25°C | | 0.02 | 4 | |
| | | T _A = 85°C | | | 120 | |
| | | T _A = 125°C | | | 120 | |
| | V _{IN} = 0 or 20, V _{DD} = 20 | T _A = -55°C | | | 20 | |
| | | T _A = -40°C | | | 20 | |
| | | T _A = 25°C | | 0.04 | 20 | |
| | | T _A = 85°C | | | 600 | |
| | | T _A = 125°C | | | 600 | |

Electrical Characteristics: Static (continued)

over operating free-air temperature range (unless otherwise noted)

| PARAMETER | | TEST CONDITIONS | MIN | TYP | MAX | UNIT | |
|-----------------------------------|---|---|---|---------------------------------|---|------|----|
| I_{OLmin} | Output low (sink) current | $V_O = 0.4, V_{IN} = 0$ or 5, $V_{DD} = 5$ | $T_A = -55^\circ\text{C}$ | 0.64 | | | mA |
| | | | $T_A = -40^\circ\text{C}$ | 0.61 | | | |
| | | | $T_A = 25^\circ\text{C}$ | 0.51 | 1 | | |
| | | | $T_A = 85^\circ\text{C}$ | 0.42 | | | |
| | | | $T_A = 125^\circ\text{C}$ | 0.36 | | | |
| | | $V_O = 0.5, V_{IN} = 0$ or 10, $V_{DD} = 10$ | $T_A = -55^\circ\text{C}$ | 1.6 | | | |
| | | | $T_A = -40^\circ\text{C}$ | 1.5 | | | |
| | | | $T_A = 25^\circ\text{C}$ | 1.3 | 2.6 | | |
| | | | $T_A = 85^\circ\text{C}$ | 1.1 | | | |
| | | | $T_A = 125^\circ\text{C}$ | 0.9 | | | |
| | | $V_O = 1.5, V_{IN} = 0$ or 15, $V_{DD} = 15$ | $T_A = -55^\circ\text{C}$ | 4.2 | | | |
| | | | $T_A = -40^\circ\text{C}$ | 4 | | | |
| | | | $T_A = 25^\circ\text{C}$ | 3.4 | 6.8 | | |
| | | | $T_A = 85^\circ\text{C}$ | 2.8 | | | |
| | | | $T_A = 125^\circ\text{C}$ | 2.4 | | | |
| I_{OHmin} | Output high (source) current | $V_O = 4.6, V_{IN} = 0$ or 5, $V_{DD} = 5$ | $T_A = -55^\circ\text{C}$ | -0.64 | | | mA |
| | | | $T_A = -40^\circ\text{C}$ | -0.61 | | | |
| | | | $T_A = 25^\circ\text{C}$ | -0.51 | -1 | | |
| | | | $T_A = 85^\circ\text{C}$ | -0.42 | | | |
| | | | $T_A = 125^\circ\text{C}$ | -0.36 | | | |
| | | $V_O = 2.5, V_{IN} = 0$ or 5, $V_{DD} = 5$ | $T_A = -55^\circ\text{C}$ | -2 | | | |
| | | | $T_A = -40^\circ\text{C}$ | -1.8 | | | |
| | | | $T_A = 25^\circ\text{C}$ | -1.6 | -3.2 | | |
| | | | $T_A = 85^\circ\text{C}$ | -1.3 | | | |
| | | | $T_A = 125^\circ\text{C}$ | -1.15 | | | |
| | | $V_O = 9.5, V_{IN} = 0$ or 10, $V_{DD} = 10$ | $T_A = -55^\circ\text{C}$ | -1.6 | | | |
| | | | $T_A = -40^\circ\text{C}$ | -1.5 | | | |
| | | | $T_A = 25^\circ\text{C}$ | -1.3 | -2.6 | | |
| | | | $T_A = 85^\circ\text{C}$ | -1.1 | | | |
| | | | $T_A = 125^\circ\text{C}$ | -0.9 | | | |
| | | $V_O = 13.5, V_{IN} = 0$ or 15, $V_{DD} = 15$ | $T_A = -55^\circ\text{C}$ | -4.2 | | | |
| | | | $T_A = -40^\circ\text{C}$ | -4 | | | |
| | | | $T_A = 25^\circ\text{C}$ | -3.4 | -6.8 | | |
| | | | $T_A = 85^\circ\text{C}$ | -2.8 | | | |
| | | | $T_A = 125^\circ\text{C}$ | -2.4 | | | |
| | | V_{OLmax} | Low-level output voltage | $V_{IN} = 0$ or 5, $V_{DD} = 5$ | $T_A = -55^\circ\text{C}, -40^\circ\text{C}, 25^\circ\text{C}, 85^\circ\text{C},$ and 125°C | 0 | |
| $V_{IN} = 0$ or 10, $V_{DD} = 10$ | $T_A = -55^\circ\text{C}, -40^\circ\text{C}, 25^\circ\text{C}, 85^\circ\text{C},$ and 125°C | | | 0 | 0.05 | | |
| $V_{IN} = 0$ or 15, $V_{DD} = 15$ | $T_A = -55^\circ\text{C}, -40^\circ\text{C}, 25^\circ\text{C}, 85^\circ\text{C},$ and 125°C | | | 0 | 0.05 | | |
| V_{OHmin} | High-level output voltage | $V_{IN} = 0$ or 5, $V_{DD} = 5$ | $T_A = -55^\circ\text{C}, -40^\circ\text{C}, 25^\circ\text{C}, 85^\circ\text{C},$ and 125°C | 4.95 | 5 | V | |
| | | $V_{IN} = 0$ or 10, $V_{DD} = 10$ | $T_A = -55^\circ\text{C}, -40^\circ\text{C}, 25^\circ\text{C}, 85^\circ\text{C},$ and 125°C | 9.95 | 10 | | |
| | | $V_{IN} = 0$ or 15, $V_{DD} = 15$ | $T_A = -55^\circ\text{C}, -40^\circ\text{C}, 25^\circ\text{C}, 85^\circ\text{C},$ and 125°C | 14.95 | 15 | | |

Electrical Characteristics: Static (continued)

over operating free-air temperature range (unless otherwise noted)

| PARAMETER | | TEST CONDITIONS | | MIN | TYP | MAX | UNIT |
|---------------------|--------------------|--|--|-----|-------------------|------|------|
| V _{IL} max | Input low voltage | V _O = 0.5 or 4.5, V _{DD} = 5 | T _A = -55°C, -40°C, 25°C, 85°C, and 125°C | | | 1.5 | V |
| | | V _O = 1 or 9, V _{DD} = 10 | T _A = -55°C, -40°C, 25°C, 85°C, and 125°C | | | 3 | |
| | | V _O = 1.5 or 13.5, V _{DD} = 15 | T _A = -55°C, -40°C, 25°C, 85°C, and 125°C | | | 4 | |
| V _{IH} min | Input high voltage | V _O = 0.5 or 4.5, V _{DD} = 5 | T _A = -55°C, -40°C, 25°C, 85°C, and 125°C | 3.5 | | | V |
| | | V _O = 1 or 9, V _{DD} = 10 | T _A = -55°C, -40°C, 25°C, 85°C, and 125°C | 7 | | | |
| | | V _O = 1.5 or 13.5, V _{DD} = 15 | T _A = -55°C, -40°C, 25°C, 85°C, and 125°C | 11 | | | |
| I _{IN} max | Input current | V _{IN} = 0 or 18, V _{DD} = 18 | T _A = -55°C | | | ±0.1 | µA |
| | | | T _A = -40°C | | | ±0.1 | |
| | | | T _A = 25°C | | ±10 ⁻⁵ | ±0.1 | |
| | | | T _A = 85°C | | | ±1 | |
| | | | T _A = 125°C | | | ±1 | |

6.6 Electrical Characteristics: Dynamic

at T_A = 25°C, input t_r, t_f = 20 ns, C_L = 50 pF, R_L = 20 kΩ (unless otherwise noted)

| PARAMETER | | TEST CONDITIONS | | MIN | TYP | MAX | UNIT |
|--|--|-----------------------------|--|-----|-----|-----|------|
| t _{PHL} , t _{PLH} | Propagation delay time, clock to Q or \bar{Q} outputs | V _{DD} = 5 | | | 150 | 300 | ns |
| | | V _{DD} = 10 | | | 65 | 130 | |
| | | V _{DD} = 15 | | | 45 | 90 | |
| t _{PLH} | Set to Q or reset to \bar{Q} | V _{DD} = 5 | | | 150 | 300 | ns |
| | | V _{DD} = 10 | | | 65 | 130 | |
| | | V _{DD} = 15 | | | 45 | 90 | |
| t _{PHL} | Set to \bar{Q} or reset to Q | V _{DD} = 5 | | | 200 | 400 | ns |
| | | V _{DD} = 10 | | | 85 | 170 | |
| | | V _{DD} = 15 | | | 60 | 120 | |
| t _{THL} , t _{TLH} | Transition time | V _{DD} = 5 | | | 100 | 200 | ns |
| | | V _{DD} = 10 | | | 50 | 100 | |
| | | V _{DD} = 15 | | | 40 | 80 | |
| f _{CL} | Maximum clock input frequency ⁽¹⁾ | V _{DD} = 5 | | 3.5 | 7 | | MHz |
| | | V _{DD} = 10 | | 8 | 16 | | |
| | | V _{DD} = 15 | | 12 | 24 | | |
| t _w | Minimum clock pulse width | V _{DD} = 5 | | | 70 | 140 | ns |
| | | V _{DD} = 10 | | | 30 | 60 | |
| | | V _{DD} = 15 | | | 20 | 40 | |
| | Minimum set or reset pulse width | V _{DD} = 5 | | | 90 | 180 | ns |
| | | V _{DD} = 10 | | | 40 | 80 | |
| | | V _{DD} = 15 | | | 25 | 50 | |
| t _S | Minimum data setup time | V _{DD} = 5 | | | 20 | 40 | ns |
| | | V _{DD} = 10 | | | 10 | 20 | |
| | | V _{DD} = 15 | | | 7 | 15 | |
| t _H | Minimum data hold time | V _{DD} = 5, 10, 15 | | | 2 | 5 | ns |

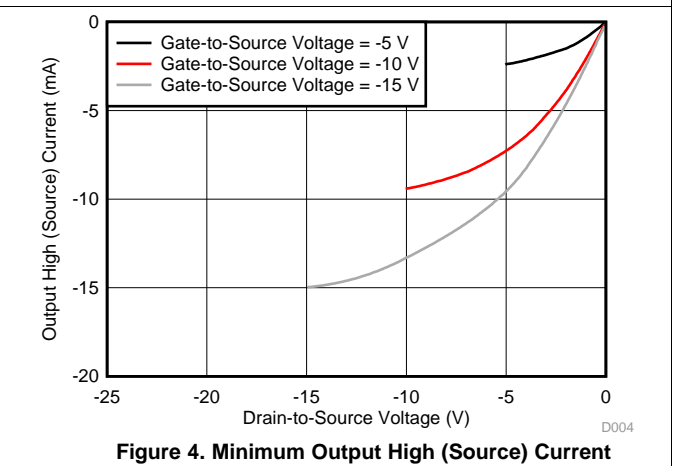
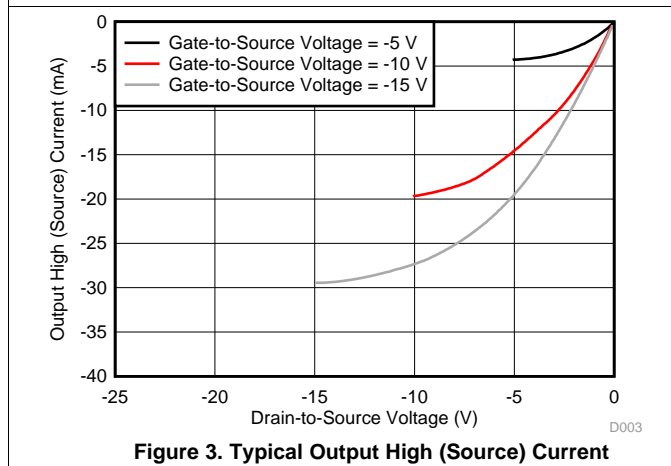
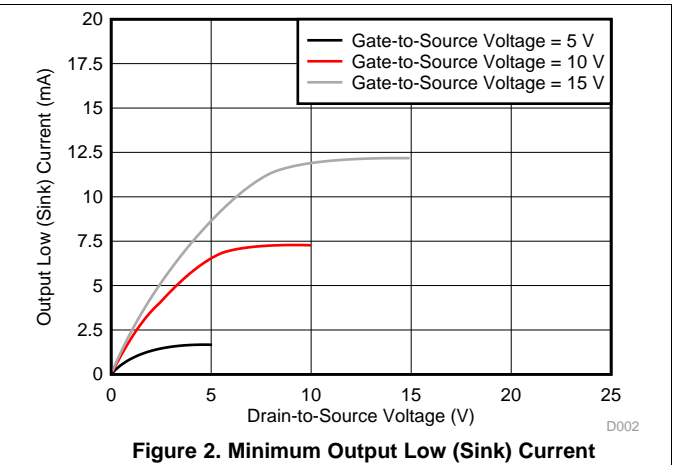
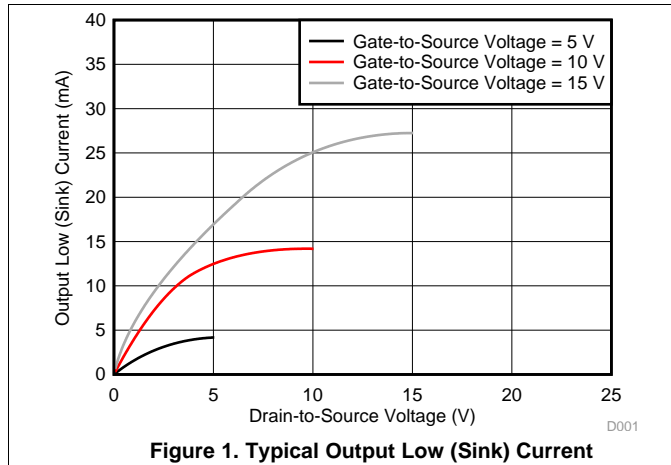
(1) Input t_r, t_f = 5 ns

Electrical Characteristics: Dynamic (continued)

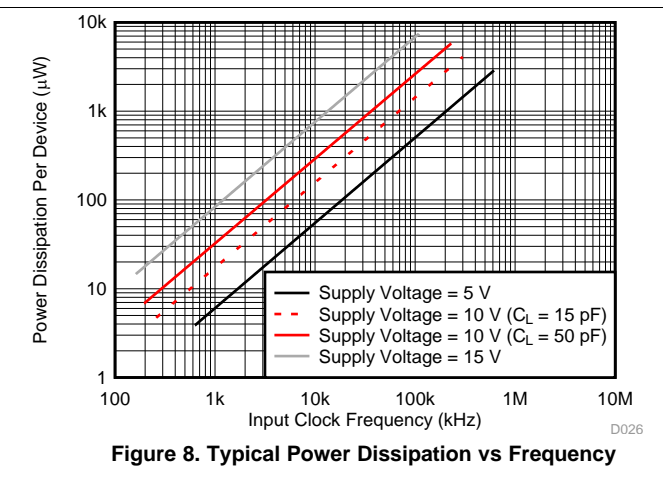
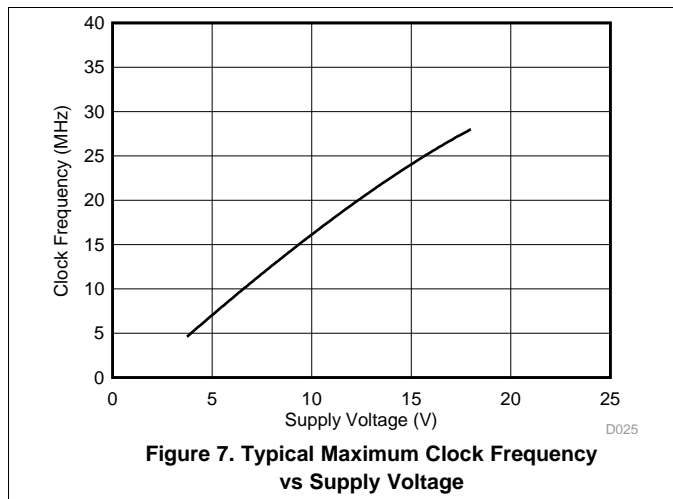
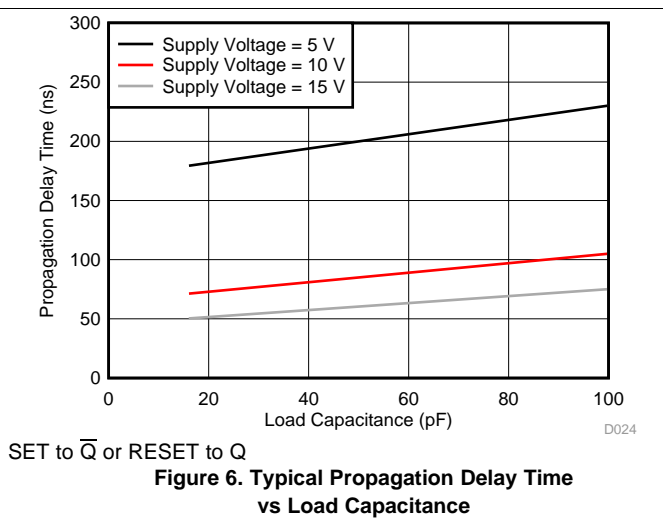
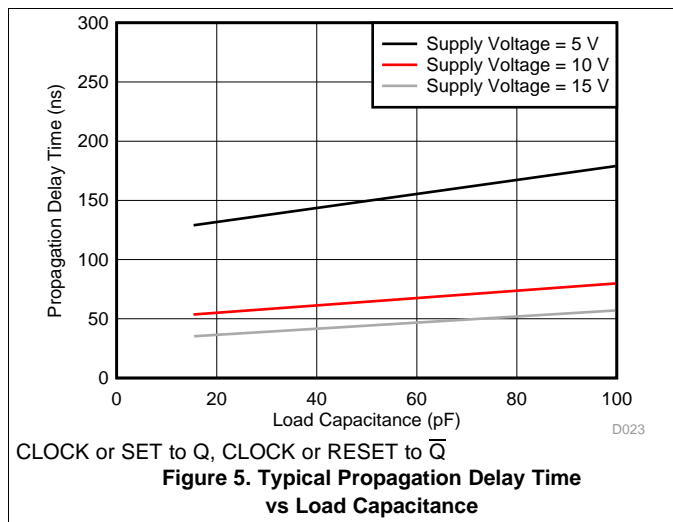
at $T_A = 25^\circ\text{C}$, input $t_r, t_f = 20\text{ ns}$, $C_L = 50\text{ pF}$, $R_L = 20\text{ k}\Omega$ (unless otherwise noted)

| PARAMETER | TEST CONDITIONS | MIN | TYP | MAX | UNIT |
|--|-----------------|-----|-----|-----|---------------|
| $t_{r,CL}, t_{f,CL}$ Clock input rise or fall time | $V_{DD} = 5$ | | | 15 | μs |
| | $V_{DD} = 10$ | | | 10 | |
| | $V_{DD} = 15$ | | | 5 | |
| C_{IN} Input capacitance | Any input | | 5 | 7.5 | pF |

6.7 Typical Characteristics



Typical Characteristics (continued)

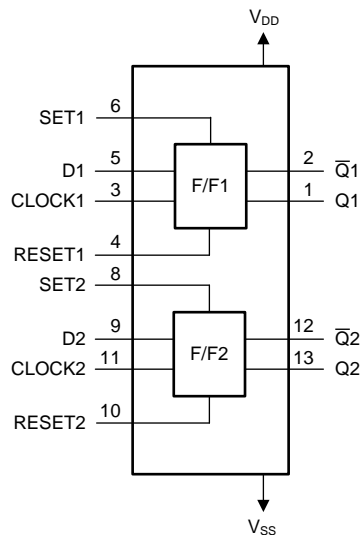


7 Detailed Description

7.1 Overview

The CD4013B device consists of two identical, independent data-type flip-flops. Each flip-flop has independent data, set, reset, and clock inputs and Q and \bar{Q} outputs. These devices are ideal for data and memory hold functions, including shift register applications, or by connecting \bar{Q} output to the data input, this device is used for counter and toggle applications. The CD4013B is a positive-edge triggered device, meaning that the logic level present at the D input is transferred to the Q output during the positive-going transition of the clock pulse. Setting or resetting is independent of the clock and is accomplished by a high level on the set or reset line, respectively.

7.2 Functional Block Diagram



Copyright © 2016, Texas Instruments Incorporated

7.3 Feature Description

CD4013B has standardized symmetrical output characteristics and a wide operating voltage range from 3 V to 18 V with quiescent current tested at 20 V. This has a medium operation speed $-t_{PHL}$, $t_{PLH} = 30$ ns (typical) at 10 V. The operating temperature is from -55°C to 125°C .

7.4 Device Functional Modes

Table 1 lists the functional modes of the CD4013B.

Table 1. Function Table

| INPUTS | | | | OUTPUT (Q) | INVERTED OUTPUT (\bar{Q}) |
|--------|-----|-------|---|------------|-------------------------------|
| CLOCK | SET | RESET | D | | |
| ↑ | 0 | 0 | 0 | 0 | 1 |
| ↑ | 0 | 0 | 1 | 1 | 0 |
| ↓ | 0 | 0 | X | Q_0 | \bar{Q} |
| X | 0 | 1 | X | 0 | 1 |
| X | 1 | 0 | X | 1 | 0 |
| X | 1 | 1 | X | 1 | 1 |

8 Application and Implementation

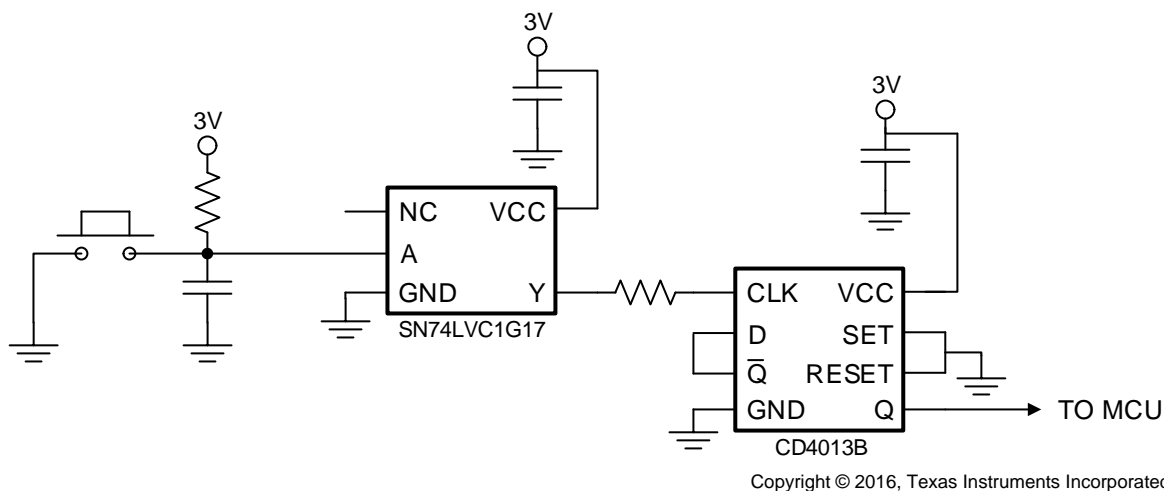
NOTE

Information in the following applications sections is not part of the TI component specification, and TI does not warrant its accuracy or completeness. TI's customers are responsible for determining suitability of components for their purposes. Customers should validate and test their design implementation to confirm system functionality.

8.1 Application Information

A high level at the SET or RESET inputs sets or resets the outputs, regardless of the levels of the other inputs. When SET and RESET are inactive (low), data at the data (D) input meeting the setup time requirements is transferred to the outputs on the positive-going edge of the clock pulse. Clock triggering occurs at a voltage level and is not related directly to the rise time of the clock pulse. Following the hold-time interval, data at the D input can be changed without affecting the levels at the outputs. The resistor and capacitor at the RESET pin are optional. If they are not used, the RESET and SET pin must be connected directly to ground to be inactive.

8.2 Typical Application



Copyright © 2016, Texas Instruments Incorporated

Figure 9. Power Button Circuit

8.2.1 Design Requirements

Input signals must be designed and implemented so that they do not exceed the voltage level of the power supply.

8.2.2 Detailed Design Procedure

The recommended input conditions for this application example includes rise time and fall time specifications (see $\Delta t/\Delta V$ in [Recommended Operating Conditions](#)) and specified high and low levels (see V_{IH} and V_{IL} in [Recommended Operating Conditions](#)). Inputs are not overvoltage tolerant and must be below V_{CC} level because of the presence of input clamp diodes to V_{CC} . The recommended output condition for the CD4013B application includes specific load currents. Load currents must be limited so as to not exceed the total power (continuous current through V_{CC} or GND) for the device. These limits are located in [Absolute Maximum Ratings](#). Outputs must not be pulled above V_{CC} .

Typical Application (continued)

8.2.3 Application Curve

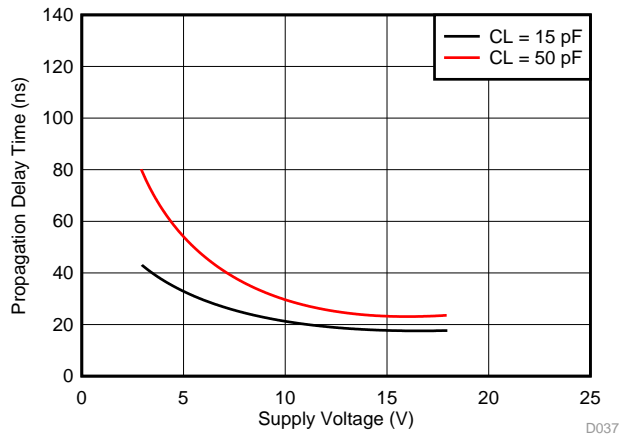


Figure 10. Typical Transition Time vs Load Capacitance

9 Power Supply Recommendations

The power supply can be any voltage between the minimum and maximum supply voltage rating located in [Recommended Operating Conditions](#). Each V_{CC} pin must have a good bypass capacitor to prevent power disturbance. For devices with a single supply, TI recommends a 0.1- μ F capacitor. If there are multiple V_{CC} pins, then TI recommends a 0.01- μ F or 0.022- μ F capacitor for each power pin. It is acceptable to parallel multiple bypass capacitors to reject different frequencies of noise. 0.1- μ F and 1- μ F capacitors are commonly used in parallel. The bypass capacitor must be installed as close to the power pin as possible for best results.

10 Layout

10.1 Layout Guidelines

When using multiple bit logic devices, inputs must never float.

In many cases, digital logic device functions or parts of these functions are unused (for example, when only two inputs of a triple-input and gate are used, or only 3 of the 4 buffer gates are used). Such input pins must not be left unconnected because the undefined voltages at the outside connections result in undefined operational states. This rule must be observed under all circumstances specified in the next paragraph.

All unused inputs of digital logic devices must be connected to a high or low bias to prevent them from floating. See application note, [Implications of Slow or Floating CMOS Inputs](#) (SCBA004), for more information on the effects of floating inputs. The logic level must apply to any particular unused input depending on the function of the device. Generally, they are tied to GND or V_{CC} (whichever is convenient).

10.2 Layout Example

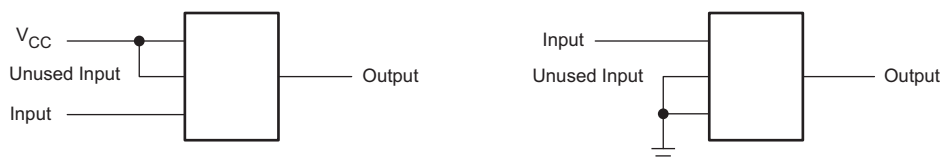


Figure 11. Layout Example for CD4013B

Layout Example (continued)

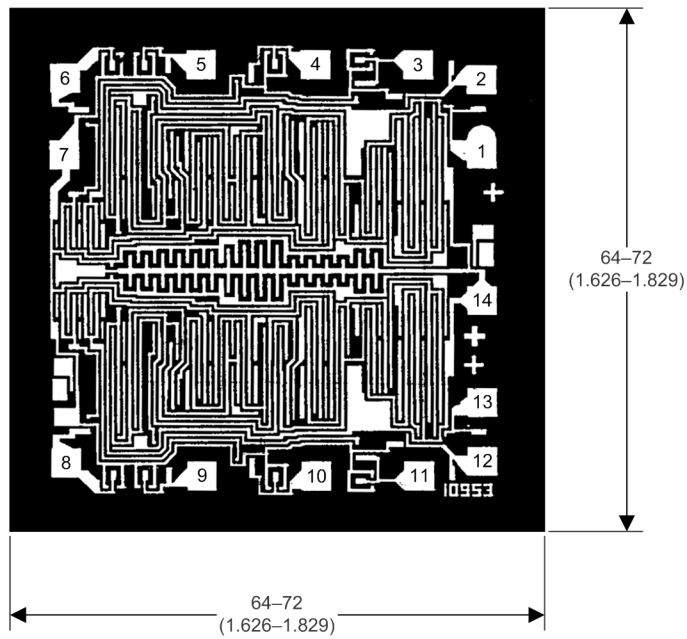


Figure 12. Dimensions and Pad Layout for CD4013B

11 Device and Documentation Support

11.1 Documentation Support

11.1.1 Related Documentation

For related documentation see the following:

[Implications of Slow or Floating CMOS Inputs](#) (SCBA004)

11.2 Receiving Notification of Documentation Updates

To receive notification of documentation updates, navigate to the device product folder on ti.com. In the upper right corner, click on *Alert me* to register and receive a weekly digest of any product information that has changed. For change details, review the revision history included in any revised document.

11.3 Community Resources

The following links connect to TI community resources. Linked contents are provided "AS IS" by the respective contributors. They do not constitute TI specifications and do not necessarily reflect TI's views; see TI's [Terms of Use](#).

TI E2E™ Online Community *TI's Engineer-to-Engineer (E2E) Community*. Created to foster collaboration among engineers. At e2e.ti.com, you can ask questions, share knowledge, explore ideas and help solve problems with fellow engineers.

Design Support *TI's Design Support* Quickly find helpful E2E forums along with design support tools and contact information for technical support.

11.4 Trademarks

E2E is a trademark of Texas Instruments.
All other trademarks are the property of their respective owners.

11.5 Electrostatic Discharge Caution



These devices have limited built-in ESD protection. The leads should be shorted together or the device placed in conductive foam during storage or handling to prevent electrostatic damage to the MOS gates.

11.6 Glossary

[SLYZ022](#) — *TI Glossary*.

This glossary lists and explains terms, acronyms, and definitions.

12 Mechanical, Packaging, and Orderable Information

The following pages include mechanical, packaging, and orderable information. This information is the most current data available for the designated devices. This data is subject to change without notice and revision of this document. For browser-based versions of this data sheet, refer to the left-hand navigation.

PACKAGING INFORMATION

| Orderable Device | Status (1) | Package Type | Package Drawing | Pins | Package Qty | Eco Plan (2) | Lead/Ball Finish (6) | MSL Peak Temp (3) | Op Temp (°C) | Device Marking (4/5) | Samples |
|------------------|---------------|--------------|--------------------|------|----------------|----------------------------|-------------------------|----------------------|--------------|-------------------------|-------------------------|
| CD4013BE | ACTIVE | PDIP | N | 14 | 25 | Green (RoHS & no Sb/Br) | CU NIPDAU | N / A for Pkg Type | -55 to 125 | CD4013BE | Samples |
| CD4013BEE4 | ACTIVE | PDIP | N | 14 | 25 | Green (RoHS & no Sb/Br) | CU NIPDAU | N / A for Pkg Type | -55 to 125 | CD4013BE | Samples |
| CD4013BF | ACTIVE | CDIP | J | 14 | 1 | TBD | A42 | N / A for Pkg Type | -55 to 125 | CD4013BF | Samples |
| CD4013BF3A | ACTIVE | CDIP | J | 14 | 1 | TBD | A42 | N / A for Pkg Type | -55 to 125 | CD4013BF3A | Samples |
| CD4013BM | ACTIVE | SOIC | D | 14 | 50 | Green (RoHS & no Sb/Br) | CU NIPDAU | Level-1-260C-UNLIM | -55 to 125 | CD4013BM | Samples |
| CD4013BM96 | ACTIVE | SOIC | D | 14 | 2500 | Green (RoHS & no Sb/Br) | CU NIPDAU | Level-1-260C-UNLIM | -55 to 125 | CD4013BM | Samples |
| CD4013BM96E4 | ACTIVE | SOIC | D | 14 | 2500 | Green (RoHS & no Sb/Br) | CU NIPDAU | Level-1-260C-UNLIM | -55 to 125 | CD4013BM | Samples |
| CD4013BM96G4 | ACTIVE | SOIC | D | 14 | 2500 | Green (RoHS & no Sb/Br) | CU NIPDAU | Level-1-260C-UNLIM | -55 to 125 | CD4013BM | Samples |
| CD4013BME4 | ACTIVE | SOIC | D | 14 | 50 | Green (RoHS & no Sb/Br) | CU NIPDAU | Level-1-260C-UNLIM | -55 to 125 | CD4013BM | Samples |
| CD4013BMG4 | ACTIVE | SOIC | D | 14 | 50 | Green (RoHS & no Sb/Br) | CU NIPDAU | Level-1-260C-UNLIM | -55 to 125 | CD4013BM | Samples |
| CD4013BMT | ACTIVE | SOIC | D | 14 | 250 | Green (RoHS & no Sb/Br) | CU NIPDAU | Level-1-260C-UNLIM | -55 to 125 | CD4013BM | Samples |
| CD4013BNSR | ACTIVE | SO | NS | 14 | 2000 | Green (RoHS & no Sb/Br) | CU NIPDAU | Level-1-260C-UNLIM | -55 to 125 | CD4013B | Samples |
| CD4013BPW | ACTIVE | TSSOP | PW | 14 | 90 | Green (RoHS & no Sb/Br) | CU NIPDAU | Level-1-260C-UNLIM | -55 to 125 | CM013B | Samples |
| CD4013BPWR | ACTIVE | TSSOP | PW | 14 | 2000 | Green (RoHS & no Sb/Br) | CU NIPDAU | Level-1-260C-UNLIM | -55 to 125 | CM013B | Samples |
| CD4013BPWRE4 | ACTIVE | TSSOP | PW | 14 | 2000 | Green (RoHS & no Sb/Br) | CU NIPDAU | Level-1-260C-UNLIM | -55 to 125 | CM013B | Samples |
| CD4013BPWRG4 | ACTIVE | TSSOP | PW | 14 | 2000 | Green (RoHS & no Sb/Br) | CU NIPDAU | Level-1-260C-UNLIM | -55 to 125 | CM013B | Samples |
| JM38510/05151BCA | ACTIVE | CDIP | J | 14 | 1 | TBD | A42 | N / A for Pkg Type | -55 to 125 | JM38510/ 05151BCA | Samples |

| Orderable Device | Status (1) | Package Type | Package Drawing | Pins | Package Qty | Eco Plan (2) | Lead/Ball Finish (6) | MSL Peak Temp (3) | Op Temp (°C) | Device Marking (4/5) | Samples |
|------------------|---------------|--------------|--------------------|------|----------------|-----------------|-------------------------|----------------------|--------------|-------------------------|----------------|
| M38510/05151BCA | ACTIVE | CDIP | J | 14 | 1 | TBD | A42 | N / A for Pkg Type | -55 to 125 | JM38510/ 05151BCA | Samples |

(1) The marketing status values are defined as follows:

ACTIVE: Product device recommended for new designs.

LIFEBUY: TI has announced that the device will be discontinued, and a lifetime-buy period is in effect.

NRND: Not recommended for new designs. Device is in production to support existing customers, but TI does not recommend using this part in a new design.

PREVIEW: Device has been announced but is not in production. Samples may or may not be available.

OBSOLETE: TI has discontinued the production of the device.

(2) **RoHS:** TI defines "RoHS" to mean semiconductor products that are compliant with the current EU RoHS requirements for all 10 RoHS substances, including the requirement that RoHS substance do not exceed 0.1% by weight in homogeneous materials. Where designed to be soldered at high temperatures, "RoHS" products are suitable for use in specified lead-free processes. TI may reference these types of products as "Pb-Free".

RoHS Exempt: TI defines "RoHS Exempt" to mean products that contain lead but are compliant with EU RoHS pursuant to a specific EU RoHS exemption.

Green: TI defines "Green" to mean the content of Chlorine (Cl) and Bromine (Br) based flame retardants meet JS709B low halogen requirements of <=1000ppm threshold. Antimony trioxide based flame retardants must also meet the <=1000ppm threshold requirement.

(3) MSL, Peak Temp. - The Moisture Sensitivity Level rating according to the JEDEC industry standard classifications, and peak solder temperature.

(4) There may be additional marking, which relates to the logo, the lot trace code information, or the environmental category on the device.

(5) Multiple Device Markings will be inside parentheses. Only one Device Marking contained in parentheses and separated by a "~" will appear on a device. If a line is indented then it is a continuation of the previous line and the two combined represent the entire Device Marking for that device.

(6) Lead/Ball Finish - Orderable Devices may have multiple material finish options. Finish options are separated by a vertical ruled line. Lead/Ball Finish values may wrap to two lines if the finish value exceeds the maximum column width.

Important Information and Disclaimer:The information provided on this page represents TI's knowledge and belief as of the date that it is provided. TI bases its knowledge and belief on information provided by third parties, and makes no representation or warranty as to the accuracy of such information. Efforts are underway to better integrate information from third parties. TI has taken and continues to take reasonable steps to provide representative and accurate information but may not have conducted destructive testing or chemical analysis on incoming materials and chemicals. TI and TI suppliers consider certain information to be proprietary, and thus CAS numbers and other limited information may not be available for release.

In no event shall TI's liability arising out of such information exceed the total purchase price of the TI part(s) at issue in this document sold by TI to Customer on an annual basis.

OTHER QUALIFIED VERSIONS OF CD4013B, CD4013B-MIL :

- Catalog: [CD4013B](#)

- Military: [CD4013B-MIL](#)

NOTE: Qualified Version Definitions:

- Catalog - TI's standard catalog product
- Military - QML certified for Military and Defense Applications

TAPE AND REEL INFORMATION

QUADRANT ASSIGNMENTS FOR PIN 1 ORIENTATION IN TAPE


*All dimensions are nominal

| Device | Package Type | Package Drawing | Pins | SPQ | Reel Diameter (mm) | Reel Width W1 (mm) | A0 (mm) | B0 (mm) | K0 (mm) | P1 (mm) | W (mm) | Pin1 Quadrant |
|--------------|--------------|-----------------|------|------|--------------------|--------------------|---------|---------|---------|---------|--------|---------------|
| CD4013BM96 | SOIC | D | 14 | 2500 | 330.0 | 16.4 | 6.5 | 9.0 | 2.1 | 8.0 | 16.0 | Q1 |
| CD4013BM96G4 | SOIC | D | 14 | 2500 | 330.0 | 16.4 | 6.5 | 9.0 | 2.1 | 8.0 | 16.0 | Q1 |
| CD4013BMT | SOIC | D | 14 | 250 | 330.0 | 16.4 | 6.5 | 9.0 | 2.1 | 8.0 | 16.0 | Q1 |
| CD4013BNSR | SO | NS | 14 | 2000 | 330.0 | 16.4 | 8.1 | 10.4 | 2.5 | 12.0 | 16.0 | Q1 |
| CD4013BPWR | TSSOP | PW | 14 | 2000 | 330.0 | 12.4 | 6.9 | 5.6 | 1.6 | 8.0 | 12.0 | Q1 |

TAPE AND REEL BOX DIMENSIONS


*All dimensions are nominal

| Device | Package Type | Package Drawing | Pins | SPQ | Length (mm) | Width (mm) | Height (mm) |
|--------------|--------------|-----------------|------|------|-------------|------------|-------------|
| CD4013BM96 | SOIC | D | 14 | 2500 | 367.0 | 367.0 | 38.0 |
| CD4013BM96G4 | SOIC | D | 14 | 2500 | 367.0 | 367.0 | 38.0 |
| CD4013BMT | SOIC | D | 14 | 250 | 210.0 | 185.0 | 35.0 |
| CD4013BNSR | SO | NS | 14 | 2000 | 367.0 | 367.0 | 38.0 |
| CD4013BPWR | TSSOP | PW | 14 | 2000 | 367.0 | 367.0 | 35.0 |

MECHANICAL DATA

NS (R-PDSO-G**)

PLASTIC SMALL-OUTLINE PACKAGE

14-PINS SHOWN



- NOTES:
- A. All linear dimensions are in millimeters.
 - B. This drawing is subject to change without notice.
 - C. Body dimensions do not include mold flash or protrusion, not to exceed 0,15.

N (R-PDIP-T**)

PLASTIC DUAL-IN-LINE PACKAGE

16 PINS SHOWN



- NOTES:
- A. All linear dimensions are in inches (millimeters).
 - B. This drawing is subject to change without notice.
 - Falls within JEDEC MS-001, except 18 and 20 pin minimum body length (Dim A).
 - The 20 pin end lead shoulder width is a vendor option, either half or full width.

J 14

GENERIC PACKAGE VIEW
CDIP - 5.08 mm max height
CERAMIC DUAL IN LINE PACKAGE



Images above are just a representation of the package family, actual package may vary.
Refer to the product data sheet for package details.

4040083-5/G

J0014A



PACKAGE OUTLINE

CDIP - 5.08 mm max height

CERAMIC DUAL IN LINE PACKAGE



NOTES:

1. All controlling linear dimensions are in inches. Dimensions in brackets are in millimeters. Any dimension in brackets or parenthesis are for reference only. Dimensioning and tolerancing per ASME Y14.5M.
2. This drawing is subject to change without notice.
3. This package is hermetically sealed with a ceramic lid using glass frit.
4. Index point is provided on cap for terminal identification only and on press ceramic glass frit seal only.
5. Falls within MIL-STD-1835 and GDIP1-T14.

EXAMPLE BOARD LAYOUT

J0014A

CDIP - 5.08 mm max height

CERAMIC DUAL IN LINE PACKAGE



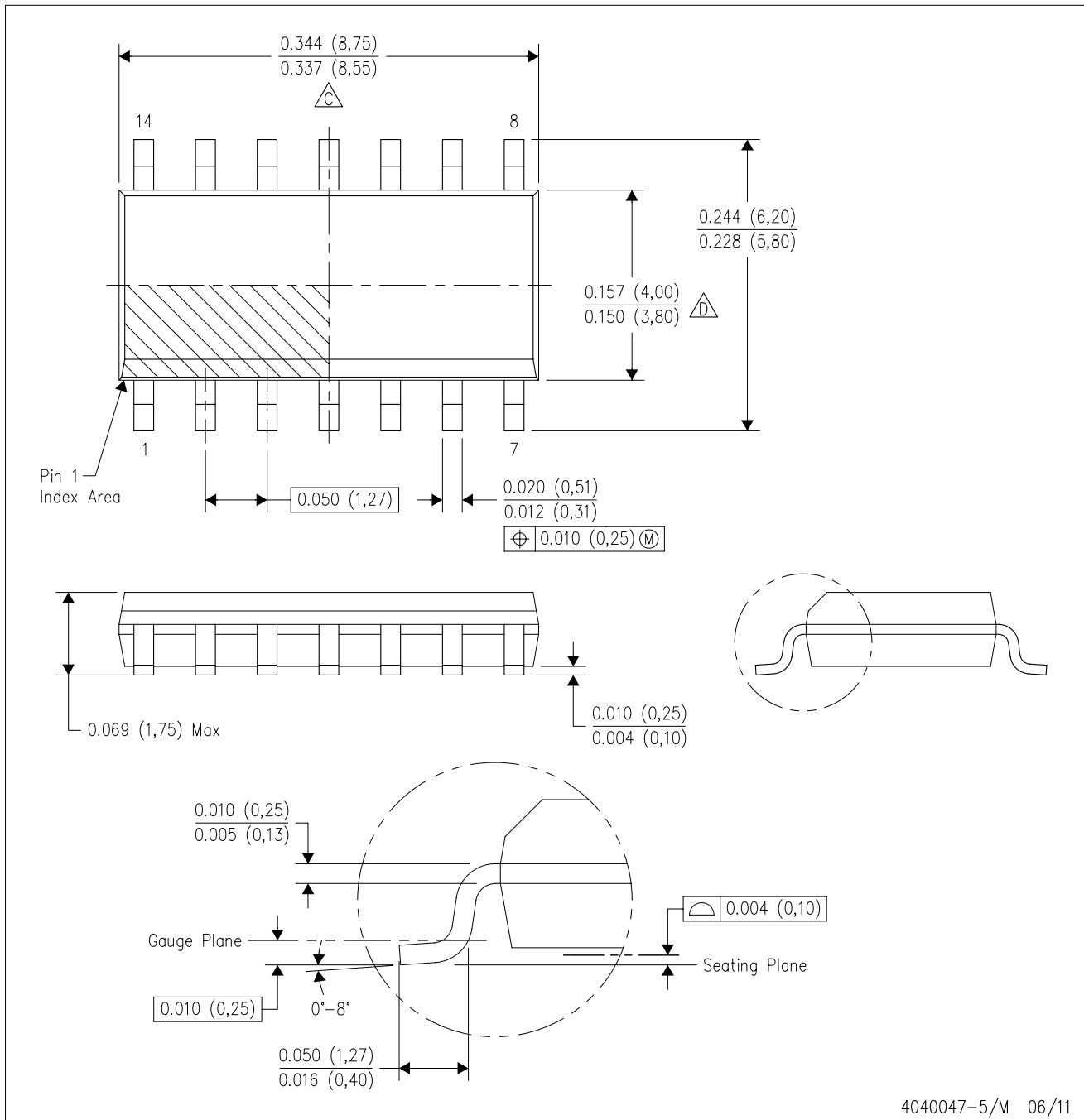
LAND PATTERN EXAMPLE
NON-SOLDER MASK DEFINED
SCALE: 5X





4214771/A 05/2017

D (R-PDSO-G14)

PLASTIC SMALL OUTLINE



4040047-5/M 06/11

- NOTES:
- A. All linear dimensions are in inches (millimeters).
 - B. This drawing is subject to change without notice.
 -  Body length does not include mold flash, protrusions, or gate burrs. Mold flash, protrusions, or gate burrs shall not exceed 0.006 (0,15) each side.
 -  Body width does not include interlead flash. Interlead flash shall not exceed 0.017 (0,43) each side.
 - E. Reference JEDEC MS-012 variation AB.

D (R-PDSO-G14)

PLASTIC SMALL OUTLINE



- NOTES:
- All linear dimensions are in millimeters.
 - This drawing is subject to change without notice.
 - Publication IPC-7351 is recommended for alternate designs.
 - Laser cutting apertures with trapezoidal walls and also rounding corners will offer better paste release. Customers should contact their board assembly site for stencil design recommendations. Refer to IPC-7525 for other stencil recommendations.
 - Customers should contact their board fabrication site for solder mask tolerances between and around signal pads.

PW (R-PDSO-G14)

PLASTIC SMALL OUTLINE



4040064-3/G 02/11

- NOTES:
- A. All linear dimensions are in millimeters. Dimensioning and tolerancing per ASME Y14.5M-1994.
 - B. This drawing is subject to change without notice.
 -  C. Body length does not include mold flash, protrusions, or gate burrs. Mold flash, protrusions, or gate burrs shall not exceed 0,15 each side.
 -  D. Body width does not include interlead flash. Interlead flash shall not exceed 0,25 each side.
 - E. Falls within JEDEC MO-153

PW (R-PDSO-G14)

PLASTIC SMALL OUTLINE



- NOTES:
- All linear dimensions are in millimeters.
 - This drawing is subject to change without notice.
 - Publication IPC-7351 is recommended for alternate designs.
 - Laser cutting apertures with trapezoidal walls and also rounding corners will offer better paste release. Customers should contact their board assembly site for stencil design recommendations. Refer to IPC-7525 for other stencil recommendations.
 - Customers should contact their board fabrication site for solder mask tolerances between and around signal pads.

IMPORTANT NOTICE AND DISCLAIMER

TI PROVIDES TECHNICAL AND RELIABILITY DATA (INCLUDING DATASHEETS), DESIGN RESOURCES (INCLUDING REFERENCE DESIGNS), APPLICATION OR OTHER DESIGN ADVICE, WEB TOOLS, SAFETY INFORMATION, AND OTHER RESOURCES "AS IS" AND WITH ALL FAULTS, AND DISCLAIMS ALL WARRANTIES, EXPRESS AND IMPLIED, INCLUDING WITHOUT LIMITATION ANY IMPLIED WARRANTIES OF MERCHANTABILITY, FITNESS FOR A PARTICULAR PURPOSE OR NON-INFRINGEMENT OF THIRD PARTY INTELLECTUAL PROPERTY RIGHTS.

These resources are intended for skilled developers designing with TI products. You are solely responsible for (1) selecting the appropriate TI products for your application, (2) designing, validating and testing your application, and (3) ensuring your application meets applicable standards, and any other safety, security, or other requirements. These resources are subject to change without notice. TI grants you permission to use these resources only for development of an application that uses the TI products described in the resource. Other reproduction and display of these resources is prohibited. No license is granted to any other TI intellectual property right or to any third party intellectual property right. TI disclaims responsibility for, and you will fully indemnify TI and its representatives against, any claims, damages, costs, losses, and liabilities arising out of your use of these resources.

TI's products are provided subject to TI's Terms of Sale (www.ti.com/legal/termsofsale.html) or other applicable terms available either on ti.com or provided in conjunction with such TI products. TI's provision of these resources does not expand or otherwise alter TI's applicable warranties or warranty disclaimers for TI products.

Mailing Address: Texas Instruments, Post Office Box 655303, Dallas, Texas 75265
Copyright © 2019, Texas Instruments Incorporated

Looking for pricing, stock, or lifecycle information?

Click below to explore more details on WIN SOURCE:

 [View CD4013BM96G4 on WIN SOURCE](#)

 [Texas Instruments](#) Information

Optimize Your Supply Chain with WIN SOURCE Solutions

-  Global Sourcing Solution
-  Obsolete Management
-  Cost Control Management
-  Shortage Management
-  Alternative Solution
-  Excess Inventory Management