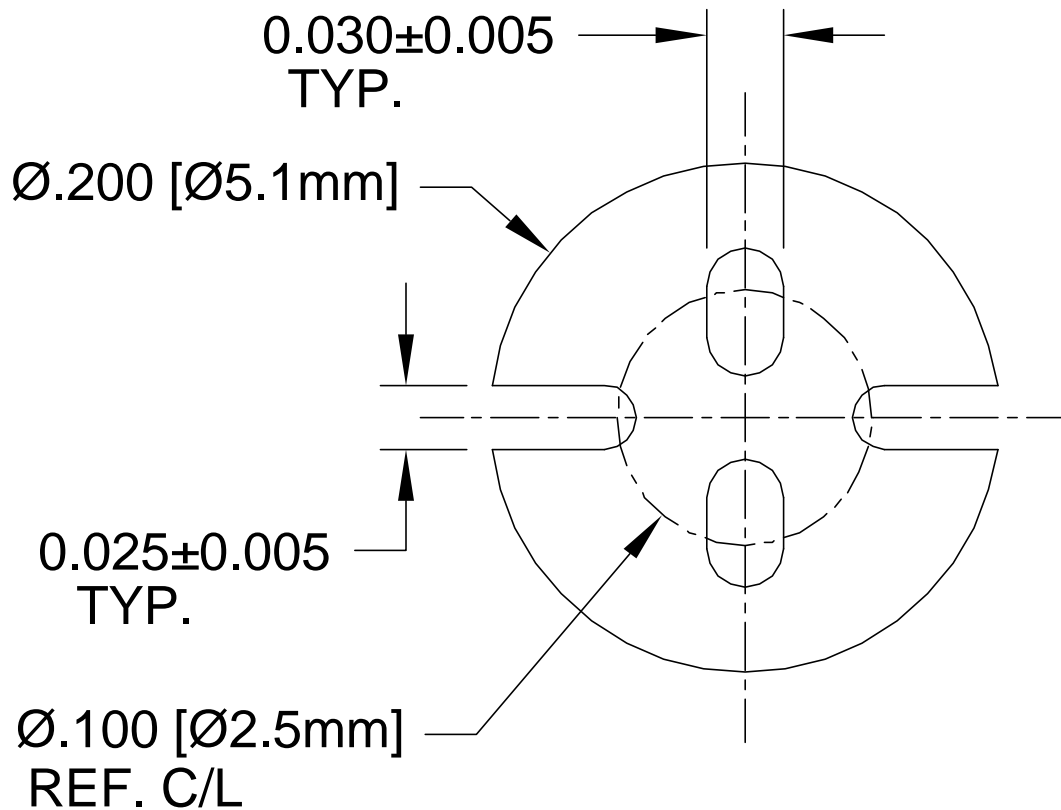




**THE DATASHEET OF  
ELM 1-900**



| REV. | DESCRIPTION                    | DATE     | APPROVED |
|------|--------------------------------|----------|----------|
| E    | Engineering Update w/o Changes | 02/26/04 | M. C.    |
| F    | Material Update.               | 11/10/05 | M. C.    |
|      |                                |          |          |
|      |                                |          |          |



3. TOLERANCE "L" DIMENSION:

- 0.030 - 0.500 (1.0 - 12.7mm)±0.005(0.1mm)
- 0.505 - 0.750 (12.8 - 19.1mm)±0.008(0.2mm)
- 0.755 - 1.250 (19.2 - 31.8mm)±0.015(0.4mm)

2. MATERIAL: PVC ALLOY, 94V-0, BLACK. BIVAR MATERIAL CODE 58-BK.  
CYBERTECH CYBERSHIELD PVC ALLOY, CS1534WX-BLK02N BLACK.

1. GENERAL SPECIFICATIONS: BIVAR EXTRUDED PRODUCT SPECIFICATION BV00-E105.

| STANDARD TOLERANCE<br>(UNLESS OTHERWISE SPECIFIED) |                   | BIVAR®                                       |  |
|----------------------------------------------------|-------------------|----------------------------------------------|--|
| DECIMALS                                           | ANGULAR           | 4 THOMAS, IRVINE, CA. 92618                  |  |
| .X ±.1                                             | X° ±1°            | TEL: (949) 951-8808 FAX: (949) 951-3974      |  |
| .XX ±.01                                           |                   | TITLE:<br>EXTRUDED, SELF-RETAINING LED MOUNT |  |
| .XXX ±.005                                         |                   | PART NO: ELM 1                               |  |
| DESIGNED:<br>Shane Irving                          | DATE:<br>02/03/98 | REVISION:<br>F                               |  |
| CHECKED:<br>M. Chen                                | DATE:<br>12/17/02 | CAGE CODE : 32559 SHEET # 1 OF 1             |  |
| CAD GENERATED DOCUMENT. DO NOT MEASURE DRAWING.    |                   |                                              |  |

## Looking for pricing, stock, or lifecycle information?

Click below to explore more details on WIN SOURCE:

 [View ELM 1-900 on WIN SOURCE](#)

 [Bivar Inc. Information](#)

## Optimize Your Supply Chain with WIN SOURCE Solutions

-  Global Sourcing Solution
-  Obsolete Management
-  Cost Control Management
-  Shortage Management
-  Alternative Solution
-  Excess Inventory Management