



**THE DATASHEET OF
CC2550-RTR1**



CC2550

Low-Cost Low-Power 2.4 GHz RF Transmitter

Applications

- 2400-2483.5 MHz ISM/SRD band systems
- Consumer electronics
- Wireless game controllers
- Wireless audio
- RF enabled remote controls

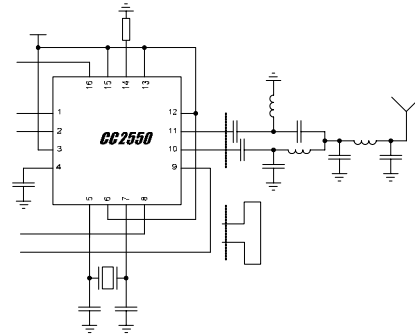
Product Description

The **CC2550** is a low-cost 2.4 GHz transmitter designed for very low-power wireless applications. The circuit is intended for the 2400-2483.5 MHz ISM (Industrial, Scientific and Medical) and SRD (Short Range Device) frequency band.

The RF transmitter is integrated with a highly configurable baseband modulator. The modulator supports various modulation formats and has a configurable data rate up to 500 kBaud.

The **CC2550** provides extensive hardware support for packet handling, data buffering and burst transmissions.

The main operating parameters and the 64-byte transmit FIFO of **CC2550** can be controlled via an SPI interface. In a typical system, the **CC2550** will be used together with a micro-controller and a few passive components.



Key Features

RF Performance

- Programmable output power up to +1 dBm
- Programmable data rate from 1.2 to 500 kBaud
- Frequency range: 2400 – 2483.5 MHz

Analog Features

- OOK, 2-FSK, GFSK, and MSK supported
- Suitable for frequency hopping and multi-channel systems due to a fast settling frequency synthesizer with 90 us settling time
- Integrated analog temperature sensor

Digital Features

- Flexible support for packet oriented systems: On-chip support for sync word insertion, flexible packet length, and automatic CRC handling
- Efficient SPI interface: All registers can be programmed with one “burst” transfer
- Optional automatic whitening of data

Low-Power Features

- 200 nA SLEEP mode current consumption
- Fast startup time: 240 us from SLEEP to TX mode (measured on EM design [3])
- 64-byte TX data FIFO (enables burst mode data transmission)

General

- Few external components: Complete on-chip frequency synthesizer, no external filters needed
- Green package: RoHS compliant and no antimony or bromine
- Small size (QLP 4x4 mm package, 16 pins)
- Suited for systems compliant with EN 300 328 and EN 300 440 class 2 (Europe), FCC CFR47 Part 15 (US), and ARIB STD-T66 (Japan)
- Support for asynchronous and synchronous serial transmit mode for backwards compatibility with existing radio communication protocols

Table of Contents

APPLICATIONS.....1

PRODUCT DESCRIPTION.....1

KEY FEATURES1

RF PERFORMANCE1

ANALOG FEATURES1

DIGITAL FEATURES.....1

LOW-POWER FEATURES.....1

GENERAL1

TABLE OF CONTENTS2

ABBREVIATIONS.....4

1 ABSOLUTE MAXIMUM RATINGS4

2 OPERATING CONDITIONS5

3 GENERAL CHARACTERISTICS.....5

4 ELECTRICAL SPECIFICATIONS5

4.1 CURRENT CONSUMPTION5

4.2 RF TRANSMIT SECTION6

4.3 CRYSTAL OSCILLATOR7

4.4 FREQUENCY SYNTHESIZER CHARACTERISTICS.....7

4.5 ANALOG TEMPERATURE SENSOR8

4.6 DC CHARACTERISTICS8

4.7 POWER-ON RESET8

5 PIN CONFIGURATION.....9

6 CIRCUIT DESCRIPTION10

7 APPLICATION CIRCUIT10

8 CONFIGURATION OVERVIEW13

9 CONFIGURATION SOFTWARE.....14

10 4-WIRE SERIAL CONFIGURATION AND DATA INTERFACE14

10.1 CHIP STATUS BYTE15

10.2 REGISTERS ACCESS16

10.3 SPI READ16

10.4 COMMAND STROBES17

10.5 FIFO ACCESS17

10.6 PATABLE ACCESS17

11 MICROCONTROLLER INTERFACE AND PIN CONFIGURATION18

11.1 CONFIGURATION INTERFACE18

11.2 GENERAL CONTROL AND STATUS PINS18

12 DATA RATE PROGRAMMING.....19

13 PACKET HANDLING HARDWARE SUPPORT19

13.1 DATA WHITENING.....19

13.2 PACKET FORMAT.....20

13.3 PACKET HANDLING IN TRANSMIT MODE.....22

13.4 PACKET HANDLING IN FIRMWARE.....22

14 MODULATION FORMATS22

14.1 FREQUENCY SHIFT KEYING23

14.2 MINIMUM SHIFT KEYING.....23

14.3 AMPLITUDE MODULATION23

15 FORWARD ERROR CORRECTION WITH INTERLEAVING23

15.1 FORWARD ERROR CORRECTION (FEC).....23

15.2 INTERLEAVING24

16 RADIO CONTROL.....25

| | | |
|-----------|--|-----------|
| 16.1 | POWER-ON START-UP SEQUENCE | 25 |
| 16.2 | CRYSTAL CONTROL | 26 |
| 16.3 | VOLTAGE REGULATOR CONTROL | 26 |
| 16.4 | TX MODE | 27 |
| 16.5 | TIMING | 27 |
| 17 | TX FIFO | 27 |
| 18 | FREQUENCY PROGRAMMING | 28 |
| 19 | VCO | 29 |
| 19.1 | VCO AND PLL SELF-CALIBRATION | 29 |
| 20 | VOLTAGE REGULATORS | 29 |
| 21 | OUTPUT POWER PROGRAMMING | 30 |
| 22 | CRYSTAL OSCILLATOR | 32 |
| 22.1 | REFERENCE SIGNAL | 32 |
| 23 | EXTERNAL RF MATCH | 32 |
| 24 | PCB LAYOUT RECOMMENDATIONS | 33 |
| 25 | GENERAL PURPOSE / TEST OUTPUT CONTROL PINS | 33 |
| 26 | ASYNCHRONOUS AND SYNCHRONOUS SERIAL OPERATION | 34 |
| 26.1 | ASYNCHRONOUS OPERATION | 34 |
| 26.2 | SYNCHRONOUS SERIAL OPERATION | 35 |
| 27 | SYSTEM CONSIDERATIONS AND GUIDELINES | 35 |
| 27.1 | SRD REGULATIONS | 35 |
| 27.2 | FREQUENCY HOPPING AND MULTI-CHANNEL SYSTEMS | 35 |
| 27.3 | WIDEBAND MODULATION NOT USING SPREAD SPECTRUM | 36 |
| 27.4 | DATA BURST TRANSMISSIONS | 36 |
| 27.5 | CONTINUOUS TRANSMISSIONS | 36 |
| 27.6 | SPECTRUM EFFICIENT MODULATION | 36 |
| 27.7 | LOW COST SYSTEMS | 36 |
| 27.8 | BATTERY OPERATED SYSTEMS | 36 |
| 27.9 | INCREASING OUTPUT POWER | 37 |
| 28 | CONFIGURATION REGISTERS | 37 |
| 28.1 | CONFIGURATION REGISTER DETAILS | 41 |
| 28.2 | STATUS REGISTER DETAILS | 49 |
| 29 | PACKAGE DESCRIPTION (QLP 16) | 52 |
| 29.1 | RECOMMENDED PCB LAYOUT FOR PACKAGE (QLP 16) | 53 |
| 29.2 | PACKAGE THERMAL PROPERTIES | 53 |
| 29.3 | SOLDERING INFORMATION | 53 |
| 29.4 | TRAY SPECIFICATION | 54 |
| 29.5 | CARRIER TAPE AND REEL SPECIFICATION | 54 |
| 30 | ORDERING INFORMATION | 54 |
| 31 | REFERENCES | 54 |
| 32 | GENERAL INFORMATION | 55 |
| 32.1 | DOCUMENT HISTORY | 55 |
| 32.2 | PRODUCT STATUS DEFINITIONS | 56 |
| 33 | ADDRESS INFORMATION | 57 |
| 34 | TI WORLDWIDE TECHNICAL SUPPORT | 57 |

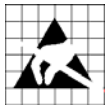
Abbreviations

Abbreviations used in this data sheet are described below.

| | | | |
|-------|--|------|-------------------------------|
| ACP | Adjacent Channel Power | NA | Not Applicable |
| ADC | Analog to Digital Converter | NRZ | Non Return to Zero (coding) |
| AGC | Automatic Gain Control | LO | Local Oscillator |
| AMR | Automatic Meter Reading | OBW | Occupied Bandwidth |
| ARIB | Association of Radio Industries and Businesses | OOK | On Off Keying |
| ASK | Amplitude Shift Keying | PA | Power Amplifier |
| BER | Bit Error Rate | PCB | Printed Circuit Board |
| BT | Bandwidth-Time product | PD | Power Down |
| CFR | Code of Federal Regulations | PER | Packet Error Rate |
| CRC | Cyclic Redundancy Check | PLL | Phase Locked Loop |
| DC | Direct Current | POR | Power-on Reset |
| ESR | Equivalent Series Resistance | QPSK | Quadrature Phase Shift Keying |
| FCC | Federal Communications Commission | QLP | Quad Leadless Package |
| FEC | Forward Error Correction | RF | Radio Frequency |
| FHSS | Frequency Hopping Spread Spectrum | RX | Receive, Receive Mode |
| FIFO | First-In-First-Out | SMD | Surface Mount Device |
| 2-FSK | Frequency Shift Keying | SNR | Signal to Noise Ratio |
| GFSK | Gaussian shaped Frequency Shift Keying | SPI | Serial Peripheral Interface |
| I/Q | In-Phase/Quadrature | SRD | Short Range Device |
| ISM | Industrial, Scientific and Medical | TX | Transmit, Transmit Mode |
| LC | Inductor-Capacitor | VCO | Voltage Controlled Oscillator |
| LO | Local Oscillator | WLAN | Wireless Local Area Networks |
| MCU | Microcontroller Unit | XOSC | Crystal Oscillator |
| MSB | Most Significant Bit | XTAL | Crystal |
| MSK | Minimum Shift Keying | | |

1 Absolute Maximum Ratings

Under no circumstances must the absolute maximum ratings given in Table 1 be violated. Stress exceeding one or more of the limiting values may cause permanent damage to the device.



Caution! ESD sensitive device. Precaution should be used when handling the device in order to prevent permanent damage.

| Parameter | Min | Max | Units | Condition/Note |
|---|------|---------------------|-------|--|
| Supply voltage | -0.3 | 3.9 | V | All supply pins must have the same voltage |
| Voltage on any digital pin | -0.3 | VDD+0.3, max 3.9 | V | |
| Voltage on the pins RF_P, RF_N and DCOUPL | -0.3 | 2.0 | V | |
| Storage temperature range | -50 | 150 | °C | |
| Solder reflow temperature | | 260 | °C | According to IPC/JEDEC J-STD-020D |
| ESD | | <500 | V | According to JEDEC STD 22, method A114, Human Body Model |

Table 1: Absolute Maximum Ratings

2 Operating Conditions

The *CC2550* operating conditions are listed in Table 2 below.

| Parameter | Min | Max | Unit | Condition/Note |
|--------------------------|-----|-----|------|--|
| Operating temperature | -40 | 85 | °C | |
| Operating supply voltage | 1.8 | 3.6 | V | All supply pins must have the same voltage |

Table 2: Operating Conditions

3 General Characteristics

| Parameter | Min | Typ | Max | Unit | Condition/Note |
|-----------------|------|-----|--------|-------|--|
| Frequency range | 2400 | | 2483.5 | MHz | |
| Data rate | 1.2 | | 500 | kBaud | 2-FSK |
| | 1.2 | | 250 | kBaud | GFSK and OOK |
| | 26 | | 500 | kBaud | (Shaped) MSK (also known as differential offset QPSK) |
| | | | | | Optional Manchester encoding (the data rate in kbps will be half the baud rate). |

Table 3: General Characteristics

4 Electrical Specifications

4.1 Current Consumption

T_c = 25°C, VDD = 3.0 V if nothing else stated. All measurement results obtained using the CC2550EM reference design ([3]).

| Parameter | Min | Typ | Max | Unit | Condition/Note |
|---|-----|------|-----|------|--|
| Current consumption in power down modes | | 200 | | nA | Voltage regulator to digital part off (SLEEP state). All G _{DDO} pins programmed to 0x2F (HW to o) |
| | | 160 | | μA | Voltage regulator to digital part on, all other modules in power down (XOFF state) |
| Current consumption | | 1.4 | | mA | Only voltage regulator to digital part and crystal oscillator running (IDLE state) |
| | | 7.3 | | mA | Only the frequency synthesizer is running (FSTXON state). This current consumption is also representative for the other intermediate states when going from IDLE to TX, including the calibration state. |
| Current consumption, TX states | | 11.2 | | mA | Transmit mode, -12 dBm output power |
| | | 14.7 | | mA | Transmit mode, -6 dBm output power |
| | | 19.4 | | mA | Transmit mode, 0 dBm output power |
| | | 21.3 | | mA | Transmit mode, +1 dBm output power |

Table 4: Current Consumption

4.2 RF Transmit Section

T_c = 25°C, VDD = 3.0 V, 0 dBm if nothing else stated. All measurement results obtained using the CC2550EM reference design ([3]).

| Parameter | Min | Typ | Max | Unit | Condition/Note |
|---|-----|----------|-----|------|---|
| Differential load impedance | | 80 + j74 | | Ω | Differential impedance as seen from the RF-port (RF_P and RF_N) towards the antenna. Follow the CC2550EM reference design ([3]) available from the TI website. |
| Output power, highest setting | | +1 | | dBm | Output power is programmable and full range is available across the entire frequency band. Delivered to 50 Ω single-ended load via CC2550EM reference design ([3]) RF matching network. |
| Output power, lowest setting | | -30 | | dBm | Output power is programmable and full range is available across the entire frequency band. Delivered to 50 Ω single-ended load via CC2550EM reference design ([3]) RF matching network. It is possible to program less than -30 dBm output power, but this is not recommended due to large variation in output power across operating conditions and processing corners for these settings. |
| Adjacent channel power (ACP) @2440 MHz | | -25 | | dBc | 2.4 kBaud, 38.2 kHz deviation, 2-FSK, 250 kHz channel spacing |
| | | -25 | | dBc | 10 kBaud, 38.2 kHz deviation, 2-FSK, 250 kHz channel spacing |
| | | -25 | | dBc | 250 kBaud, MSK, 750 kHz channel spacing |
| | | -24 | | dBc | 500 kBaud, MSK, 1 MHz channel spacing |
| Spurious emissions 25 MHz – 1 GHz 47-74, 87.5-118, 174-230, 470-862 MHz 1800-1900 MHz At 2-RF and 3-RF Otherwise above 1 GHz | | | -36 | dBm | Restricted band in Europe Restricted bands in USA |
| | | | -54 | dBm | |
| | | | -47 | dBm | |
| | | | -41 | dBm | |
| | | | -30 | dBm | |
| TX latency | | 8 | | bit | Serial operation. Time from sampling the data on the transmitter data input pin until it is observed on the RF output ports. |

Table 5: RF Transmit Parameters

4.3 Crystal Oscillator

Tc = 25°C, VDD = 3.0 V if nothing else stated. All measurement results obtained using the CC2550EM reference design ([3]).

| Parameter | Min | Typ | Max | Unit | Condition/Note |
|-------------------|-----|-----|-----|------|--|
| Crystal frequency | 26 | 26 | 27 | MHz | |
| Tolerance | | ±40 | | ppm | This is the total tolerance including a) initial tolerance, b) crystal loading, c) aging and d) temperature dependence. The acceptable crystal tolerance depends on RF frequency and channel spacing / bandwidth. |
| ESR | | | 100 | Ω | |
| Start-up time | | 150 | | μs | Measured on CC2500EM reference design ([3]) using crystal AT-41CD2 from NDK. This parameter is to a large degree crystal dependent. |

Table 6: Crystal Oscillator Parameters

4.4 Frequency Synthesizer Characteristics

Tc = 25°C, VDD = 3.0 V if nothing else stated. All measurement results obtained using the CC2550EM reference design ([3]). Min figures are given using a 27 MHz crystal. Typ and max figures are given using a 26 MHz crystal.

| Parameter | Min | Typ | Max | Unit | Condition/Note |
|----------------------------------|------|---------------------|------|--------|---|
| Programmed frequency resolution | 397 | $F_{XOSC} / 2^{16}$ | 427 | Hz | 26-27 MHz crystal. |
| Synthesizer frequency tolerance | | ±40 | | ppm | Given by crystal used. Required accuracy (including temperature and aging) depends on frequency band and channel bandwidth / spacing. |
| RF carrier phase noise @2440 MHz | | -74 | | dBc/Hz | @ 50 kHz offset from carrier |
| | | -74 | | dBc/Hz | @ 100 kHz offset from carrier |
| | | -77 | | dBc/Hz | @ 200 kHz offset from carrier |
| | | -97 | | dBc/Hz | @ 1 MHz offset from carrier |
| | | -106 | | dBc/Hz | @ 2 MHz offset from carrier |
| | | -114 | | dBc/Hz | @ 5 MHz offset from carrier |
| | | -117 | | dBc/Hz | @ 10 MHz offset from carrier |
| PLL turn-on / hop time | 85.1 | 88.4 | 88.4 | μs | Time from leaving the IDLE state until arriving in the FSTXON or TX state, when not performing calibration. Crystal oscillator running. |
| PLL calibration time | 694 | 721 | 721 | μs | Calibration can be initiated manually or automatically before entering or after leaving RX/TX. |

Table 7: Frequency Synthesizer Parameters

4.5 Analog Temperature Sensor

The characteristics of the analog temperature sensor at 3.0 V supply voltage are listed in Table 8 below. Note that it is necessary to write 0xBF to the PTEST register to use the analog temperature sensor in the IDLE state.

| Parameter | Min | Typ | Max | Unit | Condition/Note |
|---|-----------------|-------|----------------|-------|---|
| Output voltage at -40°C | | 0.660 | | V | |
| Output voltage at 0°C | | 0.755 | | V | |
| Output voltage at +40°C | | 0.859 | | V | |
| Output voltage at +80°C | | 0.958 | | V | |
| Temperature coefficient | | 2.54 | | mV/°C | Fitted from -20°C to +80°C |
| Error in calculated temperature, calibrated | -2 [*] | 0 | 2 [*] | °C | From -20°C to +80°C when using 2.54 mV / °C, after 1-point calibration at room temperature [*] The indicated minimum and maximum error with 1-point calibration is based on simulated values for typical process parameters |
| Current consumption increase when enabled | | 0.3 | | mA | |

Table 8: Analog Temperature Sensor Parameters

4.6 DC Characteristics

Tc = 25°C if nothing else stated.

| Digital Inputs/Outputs | Min | Max | Unit | Condition/Note |
|--------------------------|---------|-----|------|-------------------------------|
| Logic "0" input voltage | 0 | 0.7 | V | |
| Logic "1" input voltage | VDD-0.7 | VDD | V | |
| Logic "0" output voltage | 0 | 0.5 | V | For up to 4 mA output current |
| Logic "1" output voltage | VDD-0.3 | VDD | V | For up to 4 mA output current |
| Logic "0" input current | NA | -50 | nA | Input equals 0 V |
| Logic "1" input current | NA | 50 | nA | Input equals VDD |

Table 9: DC Characteristics

4.7 Power-On Reset

When the power supply complies with the requirements in Table 10 below, proper Power-On-Reset functionality is guaranteed. Otherwise, the chip should be assumed to have unknown state until transmitting an SRES strobe over the SPI interface. See Section 16.1 on page 25 for further details.

| Parameter | Min | Typ | Max | Unit | Condition/Note |
|-----------------------|-----|-----|-----|------|--|
| Power-up ramp-up time | | | 5 | ms | From 0 V until reaching 1.8 V |
| Power off time | 1 | | | ms | Minimum time between power off and power-on. |

Table 10: Power-on Reset Requirements

5 Pin Configuration

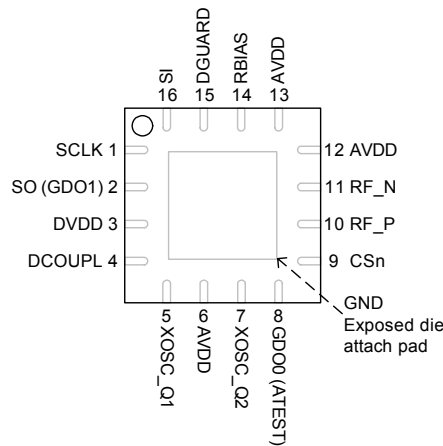


Figure 1: Pinout Top View

Note: The exposed die attach pad **must** be connected to a solid ground plane as this is the main ground connection for the chip.

| Pin # | Pin Name | Pin Type | Description |
|-------|-----------------|-----------------|---|
| 1 | SCLK | Digital Input | Serial configuration interface, clock input |
| 2 | SO (GDO1) | Digital Output | Serial configuration interface, data output. Optional general output pin when CSn is high |
| 3 | DVDD | Power (Digital) | 1.8 - 3.6 V digital power supply for digital I/O's and for the digital core voltage regulator |
| 4 | DCOUPPL | Power (Digital) | 1.6 - 2.0 V digital power supply output for decoupling. NOTE: This pin is intended for use with the <i>CC2550</i> only. It can not be used to provide supply voltage to other devices. |
| 5 | XOSC_Q1 | Analog I/O | Crystal oscillator pin 1, or external clock input |
| 6 | AVDD | Power (Analog) | 1.8 - 3.6 V analog power supply connection |
| 7 | XOSC_Q2 | Analog I/O | Crystal oscillator pin 2 |
| 8 | GDO0 (ATEST) | Digital I/O | Digital output pin for general use: <ul style="list-style-type: none"> • Test signals • FIFO status signals • Clock output, down-divided from XOSC • Serial input TX data Also used as analog test I/O for prototype/production testing |
| 9 | CSn | Digital Input | Serial configuration interface, chip select |
| 10 | RF_P | RF Output | Positive RF output signal from PA |
| 11 | RF_N | RF Output | Negative RF output signal from PA |
| 12 | AVDD | Power (Analog) | 1.8 - 3.6 V analog power supply connection |
| 13 | AVDD | Power (Analog) | 1.8 - 3.6 V analog power supply connection |
| 14 | RBIAS | Analog I/O | External bias resistor for reference current |
| 15 | DGUARD | Power (Digital) | Power supply connection for digital noise isolation |
| 16 | SI | Digital Input | Serial configuration interface, data input |

Table 11: Pinout Overview

6 Circuit Description

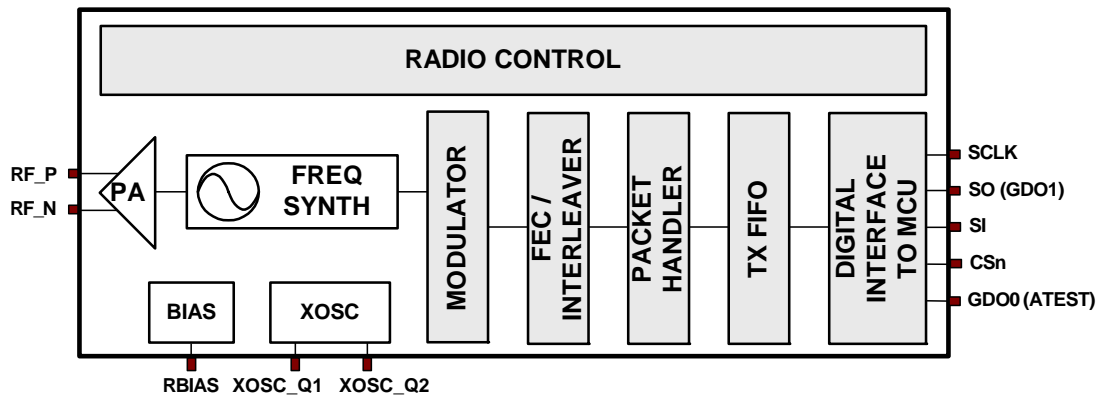


Figure 2: *CC2550* Simplified Block Diagram

A simplified block diagram of *CC2550* is shown in Figure 2.

The *CC2550* transmitter is based on direct synthesis of the RF frequency.

The frequency synthesizer includes a completely on-chip LC VCO.

A crystal is to be connected to XOSC_Q1 and

XOSC_Q2. The crystal oscillator generates the reference frequency for the synthesizer, as well as clocks for the digital part.

A 4-wire SPI serial interface is used for configuration and data buffer access.

The digital baseband includes support for channel configuration, packet handling and data buffering.

7 Application Circuit

Only a few external components are required for using the *CC2550*. The recommended application circuit is shown in Figure 3. The external components are described in Table 12, and typical values are given in Table 13.

Bias resistor

The bias resistor R141 is used to set an accurate bias current.

Balun and RF matching

The components between the RF_N/RF_P pins and the point where the two signals are joined together (C102, C112, L101, and L111) form a balun that converts the differential RF signal on *CC2550* to a single-ended RF signal. C101 and C111 are needed for DC blocking. Together with an appropriate LC network, the balun components also transform the impedance to match a 50 Ω antenna (or cable). Suggested values are listed in Table 13.

The balun and LC filter component values and their placement are important to keep the performance optimized. It is highly recommended to follow the *CC2550EM* reference design ([3]).

Crystal

The crystal oscillator uses an external crystal with two loading capacitors (C51 and C71). See Section 22 on page 32 for details.

Power supply decoupling

The power supply must be properly decoupled close to the supply pins. Note that decoupling capacitors are not shown in the application circuit. The placement and the size of the decoupling capacitors are very important to achieve the optimum performance. The *CC2550EM* reference design ([3]) should be followed closely.

| Component | Description |
|-----------|--|
| C41 | Decoupling capacitor for on-chip voltage regulator to digital part |
| C51/C71 | Crystal loading capacitors, see Section 22 on page 32 for details |
| C101/C111 | RF balun DC blocking capacitors |
| C102/C112 | RF balun/matching capacitors |
| C103/C104 | RF LC filter/matching capacitors |
| L101/L111 | RF balun/matching inductors (inexpensive multi-layer type) |
| L102 | RF LC filter inductor (inexpensive multi-layer type) |
| R141 | Resistor for internal bias current reference |
| XTAL | 26-27 MHz crystal, see Section 22 on page 32 for details |

Table 12: Overview of External Components (excluding supply decoupling capacitors)

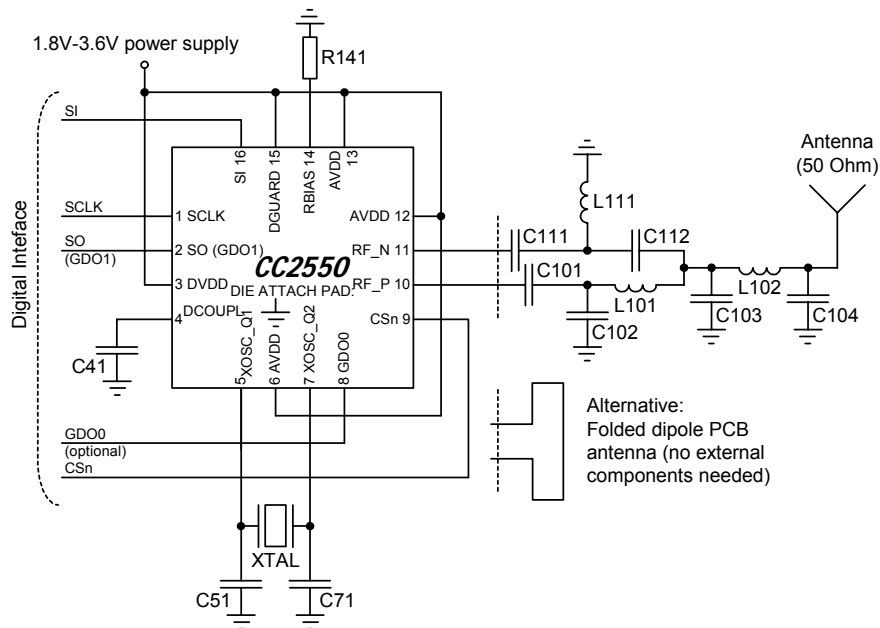


Figure 3: Typical Application and Evaluation Circuit (excluding supply decoupling capacitors)

| Component | Value | Manufacturer |
|-----------|--------------------------------|---------------------|
| C41 | 100 nF±10%, 0402 X5R | Murata GRM15 series |
| C51 | 27 pF±5%, 0402 NP0 | Murata GRM15 series |
| C71 | 27 pF±5%, 0402 NP0 | Murata GRM15 series |
| C101 | 100 pF±5%, 0402 NP0 | Murata GRM15 series |
| C102 | 1.0 pF±0.25pF, 0402 NP0 | Murata GRM15 series |
| C103 | 1.8 pF±0.25pF, 0402 NP0 | Murata GRM15 series |
| C104 | 1.5 pF±0.25pF, 0402 NP0 | Murata GRM15 series |
| C111 | 100 pF±5%, 0402 NP0 | Murata GRM15 series |
| C112 | 1.0 pF±0.25pF, 0402 NP0 | Murata GRM15 series |
| L101 | 1.2 nH±0.3nH, 0402 monolithic | Murata LQG15 series |
| L102 | 1.2 nH±0.3nH, 0402 monolithic | Murata LQG15 series |
| L111 | 1.2 nH±0.3nH, 0402 monolithic | Murata LQG15 series |
| R141 | 56 kΩ±1%, 0402 | Koa RK73 series |
| XTAL | 26.0 MHz surface mount crystal | NDK, AT-41CD2 |

Table 13: Bill of Materials for the Application Circuit

Measurements have been performed with multi-layer inductors from other manufacturers (e.g. Würth) and the measurement results were the same as when using the Murata part.

The Gerber files for the CC2550EM reference design ([3]) are available from the TI website.

8 Configuration Overview

CC2550 can be configured to achieve optimum performance for many different applications. Configuration is done using the SPI interface. The following key parameters can be programmed:

- Power-down / power up mode
- Crystal oscillator power-up / power – down
- Transmit mode
- RF channel selection
- Data rate
- Modulation format
- RF output power
- Data buffering with 64-byte transmit FIFO
- Packet radio hardware support

- Forward Error Correction (FEC) with interleaving
- Data Whitening

Details of each configuration register can be found in Section 28, starting on page 37.

Figure 4 shows a simplified state diagram that explains the main CC2550 states, together with typical usage and current consumption. For detailed information on controlling the CC2550 state machine, and a complete state diagram, see Section 16, starting on page 25.

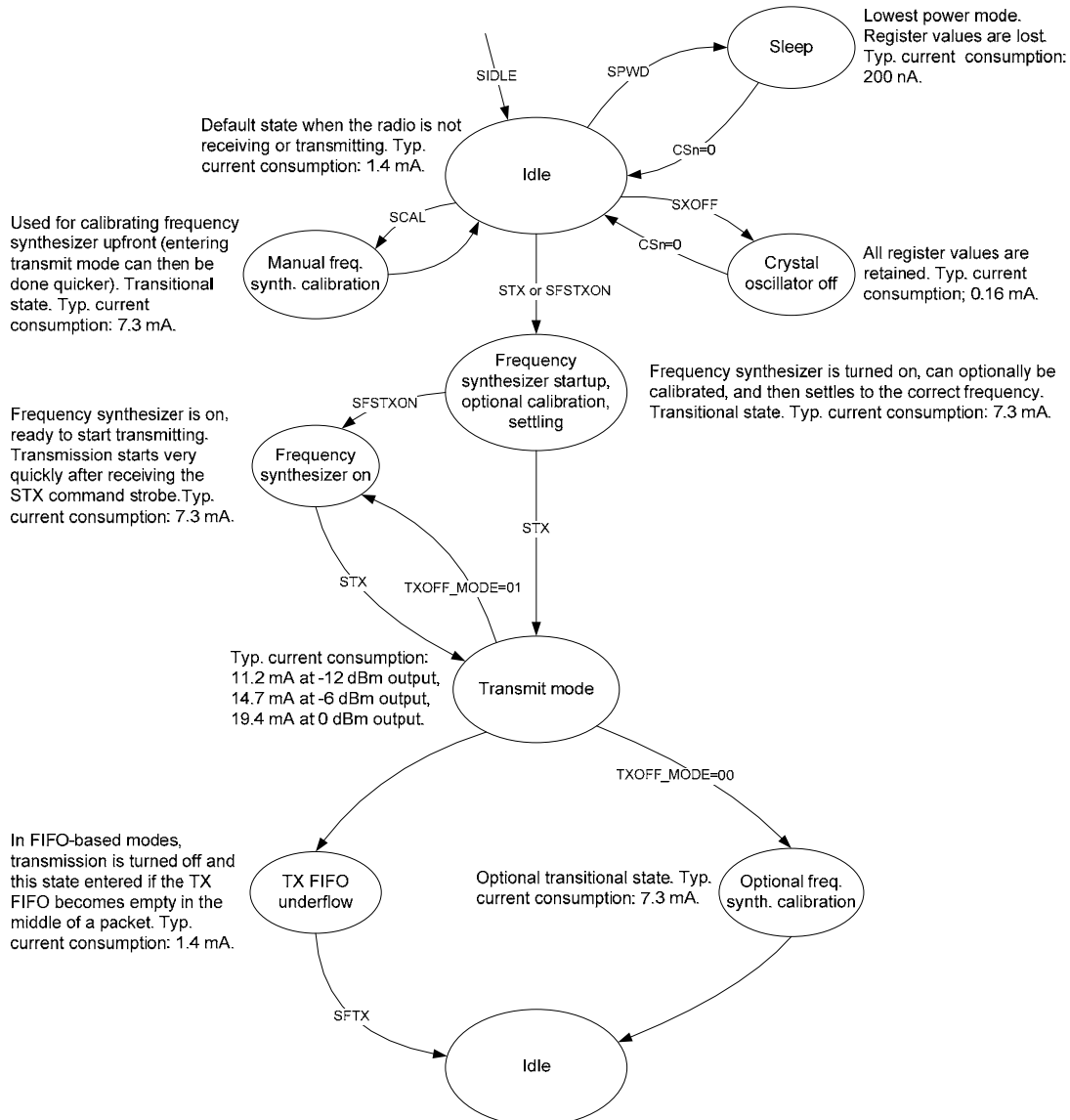


Figure 4: Simplified State Diagram with Typical Current Consumption

9 Configuration Software

CC2550 can be configured using the SmartRF® Studio software ([4]). The SmartRF® Studio software is highly recommended for obtaining optimum register settings, and for evaluating performance and functionality. A screenshot of the SmartRF® Studio user interface for CC2550 is shown in Figure 5.

After chip reset, all the registers have default values as shown in the tables in Section 28. The optimum register setting might differ from the default value. After a reset all registers that shall be different from the default value therefore needs to be programmed through the SPI interface.

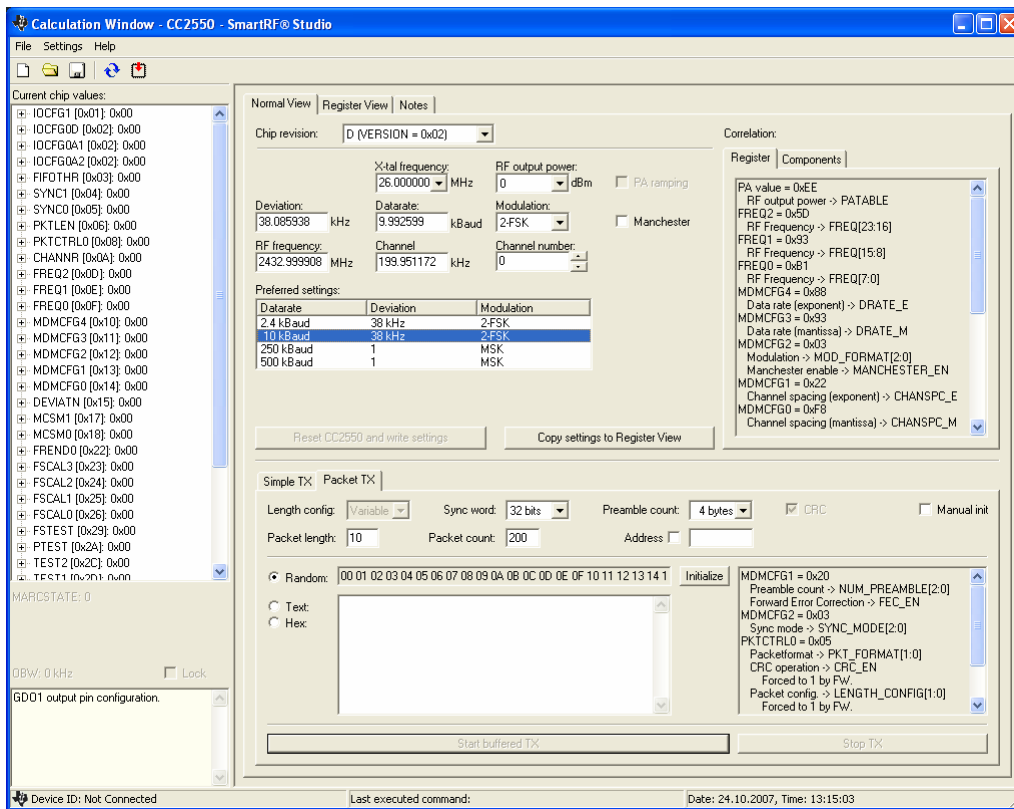


Figure 5: SmartRF® Studio [4] User Interface

10 4-wire Serial Configuration and Data Interface

CC2550 is configured via a simple 4-wire SPI-compatible interface (SI, SO, SCLK and CSn) where CC2550 is the slave. This interface is also used to write buffered data. All transfer on the SPI interface are done most significant bit first.

All transactions on the SPI interface start with a header byte containing a R/W bit, a burst access bit (B), and a 6-bit address (A5 – A0).

The CSn pin must be kept low during transfers on the SPI bus. If CSn goes high during the transfer of a header byte or during read/write from/to a register, the transfer will be

cancelled. The timing for the address and data transfer on the SPI interface is shown in Figure 6 with reference to Table 14.

When CSn is pulled low, the MCU must wait until CC2550 SO pin goes low before starting to transfer the header byte. This indicates that the crystal is running. Unless the chip was in the SLEEP or XOFF states, the SO pin will always go low immediately after taking CSn low.

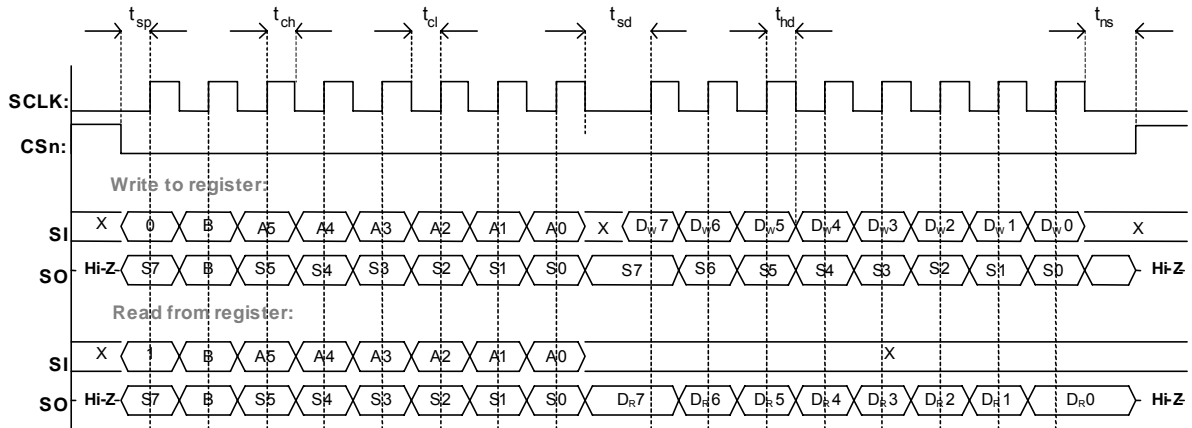


Figure 6: Configuration Registers Write and Read Operations

| Parameter | Description | Min | Max | Units | |
|--------------------|---|---------------|-----|-------|----|
| f _{SCLK} | SCLK frequency 100 ns delay inserted between address byte and data byte (single access), or between address and data, and between each data byte (burst access). | - | 10 | MHz | |
| | SCLK frequency, single access No delay between address and data byte | | 9 | MHz | |
| | SCLK frequency, burst access No delay between address and data byte, or between data bytes | | 6.5 | MHz | |
| t _{sp,pd} | CSn low to positive edge on SCLK, in power-down mode | 150 | - | μs | |
| t _{sp} | CSn low to positive edge on SCLK, in active mode | 20 | - | ns | |
| t _{ch} | Clock high | 50 | - | ns | |
| t _{cl} | Clock low | 50 | - | ns | |
| t _{rise} | Clock rise time | - | 5 | ns | |
| t _{fall} | Clock fall time | - | 5 | ns | |
| t _{sd} | Setup data (negative SCLK edge) to positive edge on SCLK (t _{sd} applies between address and data bytes, and between data bytes) | Single access | 55 | - | ns |
| | | Burst access | 76 | - | ns |
| t _{hd} | Hold data after positive edge on SCLK | 20 | - | ns | |
| t _{ns} | Negative edge on SCLK to CSn high | 20 | - | ns | |

Table 14: SPI Interface Timing Requirements

Note: The minimum t_{sp,pd} figure in Table 14 can be used in cases where the user does not read the CHIP_RDYn signal. CSn low to positive edge on SCLK when the chip is woken from power-down depends on the start-up time of the crystal being used. The 150 us in Table 14 is the crystal oscillator start-up time measured on CC2550EM reference design ([3]) using crystal AT-41CD2 from NDK.

10.1 Chip Status Byte

When the header byte, data byte, or command strobe is sent on the SPI interface, the chip status byte is sent by the **CC2550** on the SO pin. The status byte contains key status signals, useful for the MCU. The first bit, s7, is the CHIP_RDYn signal; this signal must go low

before the first positive edge of SCLK. The CHIP_RDYn signal indicates that the crystal is running.

Bits 6, 5, and 4 comprise the STATE value. This value reflects the state of the chip. The XOSC and power to the digital core is on in the IDLE state, but all other modules are in power

down. The frequency and channel configuration should only be updated when the chip is in this state. The TX state is active when the chip is transmitting.

The last four bits (3:0) in the status byte contains `FIFO_BYTES_AVAILABLE`. For write operations (the R/W bit in the header byte is set to 0), the `FIFO_BYTES_AVAILABLE` field

contains the number of bytes that can be written to the TX FIFO. When `FIFO_BYTES_AVAILABLE=15`, 15 or more bytes are available/free.

Table 15 gives a status byte summary.

| Bits | Name | Description | | | | | | | | | | | | | | | | | | | | | | | | | | | |
|-------|---------------------------|--|-------|-------|-------------|-----|------|---|-----|----------|--|-----|----|---------------|-----|--------|--|-----|-----------|--|-----|----------|-----------------|-----|----------|--|-----|------------------|--|
| 7 | CHIP_RDYn | Stays high until power and crystal have stabilized. Should always be low when using the SPI interface. | | | | | | | | | | | | | | | | | | | | | | | | | | | |
| 6:4 | STATE[2:0] | Indicates the current main state machine mode <table border="1" style="width: 100%; border-collapse: collapse;"> <thead> <tr> <th>Value</th> <th>State</th> <th>Description</th> </tr> </thead> <tbody> <tr> <td>000</td> <td>IDLE</td> <td>Idle state (Also reported for some transitional states instead of SETTLING or CALIBRATE)</td> </tr> <tr> <td>001</td> <td>Not used</td> <td></td> </tr> <tr> <td>010</td> <td>TX</td> <td>Transmit mode</td> </tr> <tr> <td>011</td> <td>FSTXON</td> <td>Frequency synthesizer is on, ready to start transmitting</td> </tr> <tr> <td>100</td> <td>CALIBRATE</td> <td>Frequency synthesizer calibration is running</td> </tr> <tr> <td>101</td> <td>SETTLING</td> <td>PLL is settling</td> </tr> <tr> <td>110</td> <td>Not used</td> <td></td> </tr> <tr> <td>111</td> <td>TXFIFO_UNDERFLOW</td> <td>TX FIFO has underflowed. Acknowledge with SFTX</td> </tr> </tbody> </table> | Value | State | Description | 000 | IDLE | Idle state (Also reported for some transitional states instead of SETTLING or CALIBRATE) | 001 | Not used | | 010 | TX | Transmit mode | 011 | FSTXON | Frequency synthesizer is on, ready to start transmitting | 100 | CALIBRATE | Frequency synthesizer calibration is running | 101 | SETTLING | PLL is settling | 110 | Not used | | 111 | TXFIFO_UNDERFLOW | TX FIFO has underflowed. Acknowledge with SFTX |
| Value | State | Description | | | | | | | | | | | | | | | | | | | | | | | | | | | |
| 000 | IDLE | Idle state (Also reported for some transitional states instead of SETTLING or CALIBRATE) | | | | | | | | | | | | | | | | | | | | | | | | | | | |
| 001 | Not used | | | | | | | | | | | | | | | | | | | | | | | | | | | | |
| 010 | TX | Transmit mode | | | | | | | | | | | | | | | | | | | | | | | | | | | |
| 011 | FSTXON | Frequency synthesizer is on, ready to start transmitting | | | | | | | | | | | | | | | | | | | | | | | | | | | |
| 100 | CALIBRATE | Frequency synthesizer calibration is running | | | | | | | | | | | | | | | | | | | | | | | | | | | |
| 101 | SETTLING | PLL is settling | | | | | | | | | | | | | | | | | | | | | | | | | | | |
| 110 | Not used | | | | | | | | | | | | | | | | | | | | | | | | | | | | |
| 111 | TXFIFO_UNDERFLOW | TX FIFO has underflowed. Acknowledge with SFTX | | | | | | | | | | | | | | | | | | | | | | | | | | | |
| 3:0 | FIFO_BYTES_AVAILABLE[3:0] | The number of free bytes in the TX FIFO (the R/W bit in the header byte must be set to 0) | | | | | | | | | | | | | | | | | | | | | | | | | | | |

Table 15: Status Byte Summary

10.2 Registers Access

The configuration registers on the *CC2550* are located on SPI addresses from 0x00 to 0x2E. Table 24 on page 39 lists all configuration registers. It is highly recommended to use SmartRF® Studio [4] to generate optimum register settings. The detailed description of each register is found in Section 28.1, starting on page 41. All configuration registers can be both written to and read. The R/W bit controls if the register should be written to or read. When writing to registers, the status byte is sent on the `SO` pin each time a header byte or data byte is transmitted on the `SI` pin. When reading from registers, the status byte is sent on the `SO` pin each time a header byte is transmitted on the `SI` pin.

Registers with consecutive addresses can be accessed in an efficient way by setting the

burst bit (B) in the header byte. The address bits ($A_5 - A_0$) sets the start address in an internal address counter. This counter is incremented by one each new byte (every 8 clock pulses). The burst access is either a read or a write access and must be terminated by setting `CSn` high.

For register addresses in the range 0x30-0x3D, the burst bit is used to select between status registers, burst bit is one, and command strobes, burst bit is zero (see Section 10.4 below). Because of this, burst access is not available for status registers and they must be accessed one at a time. The status registers can only be read.

10.3 SPI Read

When reading register fields over the SPI interface while the register fields are updated

by the radio hardware (e.g. MARCSTATE or TXBYTES), there is a small, but finite, probability that a single read from the register is being corrupt. As an example, the probability of any single read from TXBYTES being corrupt, assuming the maximum data rate is used, is approximately 80 ppm. Refer to the **CC2550** Errata Note [1] for more details.

10.4 Command Strokes

Command strokes may be viewed as single byte instructions to **CC2550**. By addressing a command strobe register, internal sequences will be started. These commands are used to disable the crystal oscillator, enable transmit mode, flush the TX FIFO etc. The 9 command strokes are listed in Table 23 on page 38.

The command strobe registers are accessed by transferring a single header byte (no data is being transferred). That is, only the R/W bit, the burst access bit (set to 0), and the six address bits (in the range 0x30 through 0x3D) are written.

When writing command strokes, the status byte is sent on the SO pin.

A command strobe may be followed by any other SPI access without pulling CSn high. However, if an SRES strobe is being issued, one will have to wait for SO to go low again before the next header byte can be issued as shown in Figure 7. The command strokes are executed immediately, with the exception of the SPWD and the SXOFF strokes that are executed when CSn goes high.

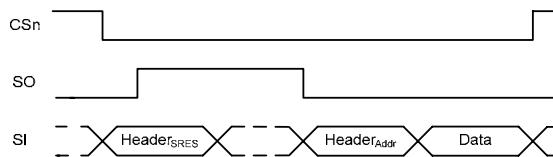


Figure 7: SRES Command Strobe

10.5 FIFO Access

The 64-byte TX FIFO is accessed through the 0x3F address and is write-only.

The burst bit is used to determine if the FIFO access is a single byte access or a burst access. The single byte access method expects a header byte with the burst bit set to zero and one data byte. After the data byte a new header byte is expected; hence, CSn can remain low. The burst access method expects

one header byte and then consecutive data bytes until terminating the access by setting CSn high.

The following header bytes access the FIFO:

- 0x3F: Single byte access to TX FIFO
- 0x7F: Burst access to TX FIFO

When writing to the TX FIFO, the status byte (see Section 10.1) is output for each new data byte on SO, as shown in Figure 6. This status byte can be used to detect TX FIFO underflow while writing data to the TX FIFO. Note that the status byte contains the number of bytes free *before* writing the byte in progress to the TX FIFO. When the last byte that fits in the TX FIFO is transmitted on SI, the status byte received concurrently on SO will indicate that one byte is free in the TX FIFO.

The TX FIFO may be flushed by issuing a SFTX command strobe. A SFTX command strobe can only be issued in the IDLE or TX_UNDERFLOW states. The TX FIFO is flushed when going to the SLEEP state.

Figure 8 gives a brief overview of different register access types possible.

10.6 PATABLE Access

The 0x3E address is used to access the PATABLE, which is used for selecting PA power control settings. The PATABLE is an 8-byte table, but not all entries into this table are used. The entries to use are selected by the 3-bit value FRENDO.PA_POWER.

- When using 2-FSK, GFSK, or MSK modulation only the first entry into this table is used (index 0).
- When using OOK modulation the first two entries into this table are used (index 0 and index 1).

Since the PATABLE is an 8-byte table, the table is written and read from the lowest setting (0) to the highest (7), one byte at a time. An index counter is used to control the access to the table. This counter is incremented each time a byte is read or written to the table, and set to the lowest index when CSn is high. When the highest value is reached the counter restarts at 0.

The access to the `PATABLE` is either single byte or burst access depending on the burst bit. When using burst access the index counter will count up; when reaching 7 the counter will restart at 0. The R/W bit controls whether the access is a write access (R/W=0) or a read access (R/W=1).

If one byte is written to the `PATABLE` and this value is to be read out then `CSn` must be set high before the read access in order to set the index counter back to zero.

Note that the content of the `PATABLE` is lost when entering the SLEEP state.

See Section 21 on page 30 for output power programming details.

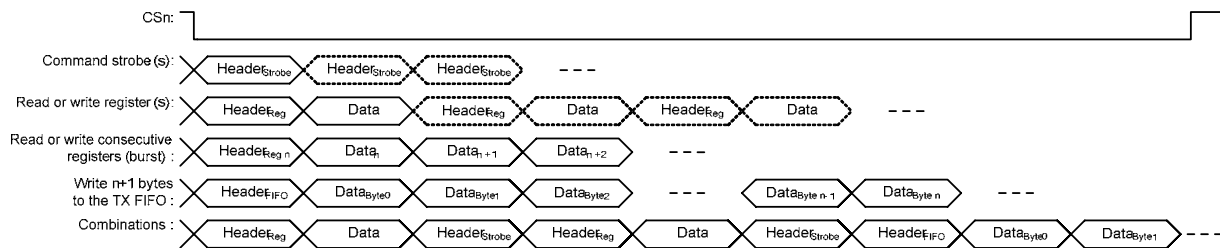


Figure 8: Register Access Types

11 Microcontroller Interface and Pin Configuration

In a typical system, *CC2550* will interface to a microcontroller. This microcontroller must be able to:

- Program *CC2550* into different modes
- Write buffered data
- Read back status information via the 4-wire SPI-bus configuration interface (`SI`, `SO`, `SCLK` and `CSn`)

11.1 Configuration Interface

The microcontroller uses four I/O pins for the SPI configuration interface (`SI`, `SO`, `SCLK` and `CSn`). The SPI is described in Section 14 on page 14.

11.2 General Control and Status Pins

The *CC2550* has one dedicated configurable pin (`GDO0`) and one shared pin (`GDO1`) that can output internal status information useful for control software. These pins can be used to generate interrupts on the MCU. See Section 25 page 33 for more details of the signals that can be programmed. `GDO1` is shared with the

`SO` pin in the SPI interface. The default setting for `GDO1/SO` is 3-state output. By selecting any other of the programming options the `GDO1/SO` pin will become a generic pin. When `CSn` is low, the pin will always function as a normal `SO` pin.

In the synchronous and asynchronous serial modes, the `GDO0` pin is used as a serial TX data input pin while in transmit mode.

The `GDO0` pin can also be used for an on-chip analog temperature sensor. By measuring the voltage on the `GDO0` pin with an external ADC, the temperature can be calculated. Specifications for the temperature sensor are found in Section 4.5 on page 8.

With default `PTEST` register setting (0x7F) the temperature sensor output is only available when the frequency synthesizer is enabled (e.g. the `MANCAL`, `FSTXON` and `TX` states). It is necessary to write 0xBF to the `PTEST` register to use the analog temperature sensor in the `IDLE` state. Before leaving the `IDLE` state, the `PTEST` register should be restored to its default value (0x7F).

12 Data Rate Programming

The data rate used when transmitting is programmed by the `MDMCFG3.DRATE_M` and the `MDMCFG4.DRATE_E` configuration registers. The data rate is given by the formula below. As the formula shows, the programmed data rate depends on the crystal frequency.

$$R_{DATA} = \frac{(256 + DRATE_M) \cdot 2^{DRATE_E}}{2^{28}} \cdot f_{XOSC}$$

The following approach can be used to find suitable values for a given data rate:

$$DRATE_E = \left\lceil \log_2 \left(\frac{R_{DATA} \cdot 2^{20}}{f_{XOSC}} \right) \right\rceil$$

$$DRATE_M = \frac{R_{DATA} \cdot 2^{28}}{f_{XOSC} \cdot 2^{DRATE_E}} - 256$$

If `DRATE_M` is rounded to the nearest integer and becomes 256, increment `DRATE_E` and use `DRATE_M=0`.

The data rate can be set from 1.2 kBaud to 500 kBaud with a minimum step size of:

| Data Rate Start [kBaud] | Typical Data Rate [kBaud] | Data Rate Stop [kBaud] | Data Rate Step Size [kBaud] |
|-------------------------|---------------------------|------------------------|-----------------------------|
| 0.8 | 1.2/2.4 | 3.17 | 0.0062 |
| 3.17 | 4.8 | 6.35 | 0.0124 |
| 6.35 | 9.6 | 12.7 | 0.0248 |
| 12.7 | 19.6 | 25.4 | 0.0496 |
| 25.4 | 38.4 | 50.8 | 0.0992 |
| 50.8 | 76.8 | 101.6 | 0.1984 |
| 101.6 | 153.6 | 203.1 | 0.3967 |
| 203.1 | 250 | 406.3 | 0.7935 |
| 406.3 | 500 | 500 | 1.5869 |

Table 16: Data Rate Step Size

13 Packet Handling Hardware Support

The **CC2550** has built-in hardware support for packet oriented radio protocols.

In transmit mode, the packet handler can be configured to add the following elements to the packet stored in the TX FIFO:

- A programmable number of preamble bytes
- A two byte synchronization (sync) word. Can be duplicated to give a 4-byte sync word. It is not possible to only insert preamble or only insert a sync word.
- A CRC checksum computed over the data field.

In a system where **CC2550** is used as the transmitter and **CC2500** as the receiver, the recommended setting is 4-byte preamble and 4-byte sync word, except for 500 kBaud data rate where the recommended preamble length is 8 bytes.

In addition, the following can be implemented on the data field and the optional 2-byte CRC checksum:

- Whitening of the data with a PN9 sequence.
- Forward error correction by the use of interleaving and coding of the data (convolutional coding).

Note that register fields that control the packet handling features should only be altered when **CC2550** is in the IDLE state.

13.1 Data whitening

From a radio perspective, the ideal over the air data are random and DC free. This results in the smoothest power distribution over the occupied bandwidth. This also gives the regulation loops in the receiver uniform operation conditions (no data dependencies).

Real world data often contain long sequences of zeros and ones. Performance can then be improved by whitening the data before transmitting, and de-whitening the data in the receiver. With **CC2550**, in combination with a **CC2500** at the receiver end, this can be done automatically by setting `PKTCTRL0`

.WHITE_DATA=1. All data, except the preamble and the sync word, are then XOR-ed with a 9-bit pseudo-random (PN9) sequence before being transmitted as shown in Figure 9. At the receiver end, the data are XOR-ed with the same pseudo-random sequence. This way,

the whitening is reversed, and the original data appear in the receiver. The PN9 sequence is reset to all 1's.

Data whitening can only be used when `PKTCTRL0.CC2400_EN=0` (default).

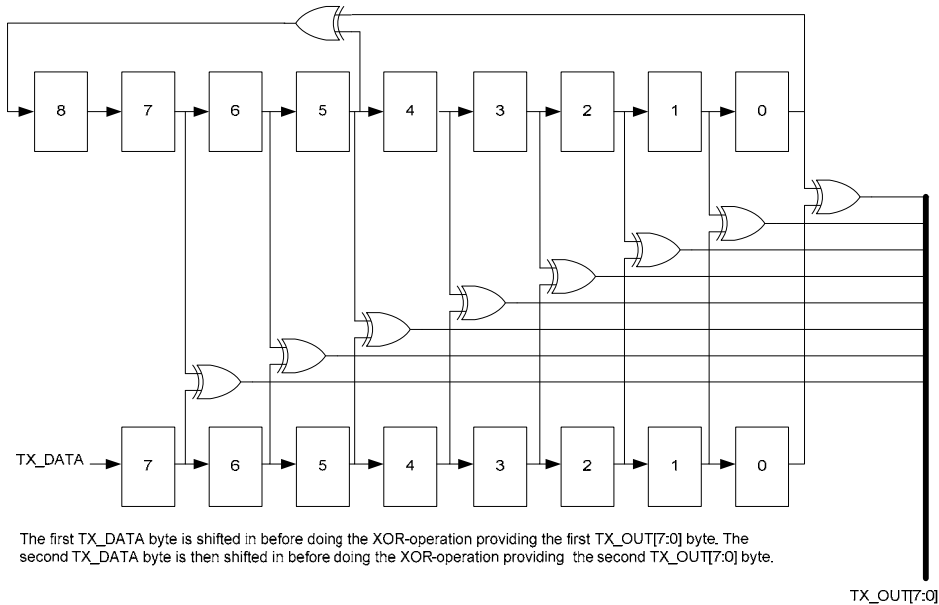


Figure 9: Data Whitening in TX Mode

13.2 Packet Format

The format of the data packet can be configured and consists of the following items (see Figure 10):

- Preamble

- Synchronization word
- Optional length byte
- Optional address byte
- Payload
- Optional 2 byte CRC

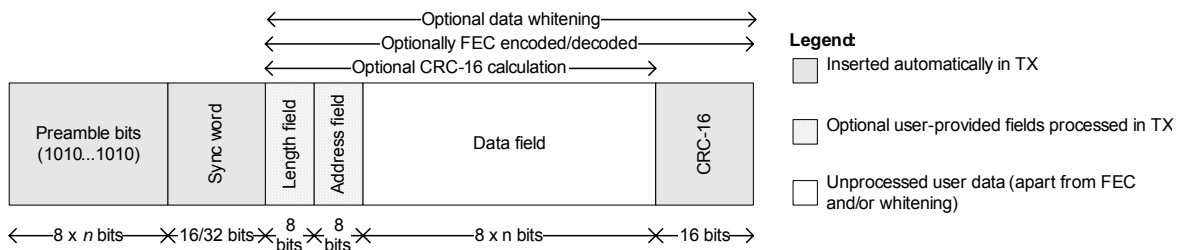


Figure 10: Packet Format

The preamble pattern is an alternating sequence of ones and zeros (101010101...). The minimum length of the preamble is programmable. When enabling TX, the modulator will start transmitting the preamble. When the programmed number of preamble

bytes has been transmitted, the modulator will send the sync word and then data from the TX FIFO if data is available. If the TX FIFO is empty, the modulator will continue to send preamble bytes until the first byte is written to the TX FIFO. The modulator will then send the

sync word and then the data bytes. The number of preamble bytes is programmed with the `MDMCFG1.NUM_PREAMBLE` value.

The synchronization word is a two-byte value set in the `SYNC1` and `SYNC0` registers. A one-byte sync word can be emulated by setting the `SYNC1` value to the preamble pattern. It is also possible to emulate a 32 bit sync word by using `MDMCFG2.SYNC_MODE=3` or `7`. The sync word will then be repeated twice.

CC2550 supports both fixed packet length protocols and variable packet length protocols. Variable or fixed packet length mode can be used for packets up to 255 bytes. For longer packets, infinite packet length mode must be used.

Fixed packet length mode is selected by setting `PKTCTRL0.LENGTH_CONFIG=0`. The desired packet length is set by the `PKTLEN` register.

In variable packet length mode, `PKTCTRL0.LENGTH_CONFIG=1`, the packet length is configured by the first byte after the sync word. The packet length is defined as the payload data, excluding the length byte and the optional automatic CRC.

With `PKTCTRL0.LENGTH_CONFIG=2`, the packet length is set to infinite and transmission will continue until turned off manually. As described in the next section, this can be used to support packet formats with different length configuration than natively supported by **CC2550**. One should make sure that TX mode is not turned off during the transmission of the first half of any byte. Refer to the **CC2550** Errata Notes [1] for more details.

Note that the minimum packet length supported (excluding the optional length byte and CRC) is one byte of payload data.

13.2.1 Packet Length > 255

Reprogramming the packet automation control register, `PKTCTRL0`, during TX mode opens the possibility to transmit packets that are longer than 256 bytes and still be able to use the packet handling hardware support. At the start of the packet, the infinite packet length mode (`PKTCTRL0.LENGTH_CONFIG=2`) must be active. The `PKTLEN` register is set to $\text{mod}(\text{length}, 256)$. When less than 256 bytes remains of the packet the MCU disables infinite packet length mode and activates fixed packet length mode. When the internal byte counter reaches the `PKTLEN` value, the transmission ends the radio enters the state determined by `TXOFF_MODE`). Automatic CRC appending can be used (by setting `PKTCTRL0.CRC_EN=1`).

When for example a 600-byte packet is to be transmitted, the MCU should do the following (see also Figure 11):

- Set `PKTCTRL0.LENGTH_CONFIG=2`.
- Pre-program the `PKTLEN` register to $\text{mod}(600,256)=88$.
- Transmit at least 345 bytes (600 – 255), for example by filling the 64-byte TX FIFO six times (384 bytes transmitted).
- Set `PKTCTRL0.LENGTH_CONFIG=0`.
- The transmission ends when the packet counter reaches 88. A total of 600 bytes are transmitted.

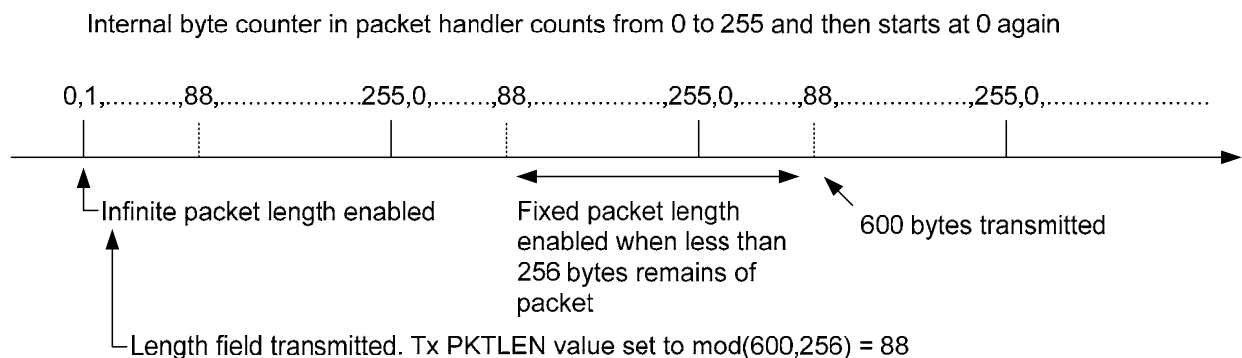


Figure 11: Packet Length > 255

13.3 Packet Handling in Transmit Mode

The payload that is to be transmitted must be written into the TX FIFO. The first byte written must be the length byte when variable packet length is enabled. The length byte has a value equal to the payload of the packet (including the optional address byte). If fixed packet length is enabled, then the first byte written to the TX FIFO is interpreted as the destination address, if this feature is enabled in the device that receives the packet.

The modulator will first send the programmed number of preamble bytes. If data is available in the TX FIFO, the modulator will send the two-byte (optionally 4-byte) sync word and then the payload in the TX FIFO. If CRC is enabled, the checksum is calculated over all the data pulled from the TX FIFO and the result is sent as two extra bytes at the end of the payload data. If the TX FIFO runs empty before the complete packet has been transmitted, the radio will enter TXFIFO_UNDERFLOW state. The only way to exit this state is by issuing an SFTX strobe. Writing to the TX FIFO after it has underflowed will not restart TX mode.

If whitening is enabled, everything following the sync words will be whitened. This is done before the optional FEC/Interleaver stage. Whitening is enabled by setting `PKTCTRL0.WHITE_DATA=1`.

If FEC/Interleaving is enabled, everything following the sync words will be scrambled by the interleaver, and FEC encoded before being modulated. FEC is enabled by setting `MDMCFG.FEC_EN=1`.

13.4 Packet Handling in Firmware

When implementing a packet oriented radio protocol in firmware, the MCU needs to know when a packet has been transmitted. Additionally, for packets longer than 64 bytes

the TX FIFO needs to be refilled while in TX. This means that the MCU needs to know the number of bytes that can be written to TX FIFO. There are two possible solutions to get the necessary status information:

a) Interrupt driven solution

It is possible to use one of the GDO pins to give an interrupt when a sync word has been transmitted and/or when a complete packet has been transmitted (`IOCFGx=0x06`). In addition, there are 2 configurations for the `IOCFGx` register that are associated with the TX FIFO (`IOCFGx=0x02` and `IOCFG=0x03`) that can be used as interrupt sources to provide information on how many bytes are in the TX FIFO. See Table 22.

b) SPI polling

The `PKTSTATUS` register can be polled at a given rate to get information about the current `GDO0` value. The `TXBYTES` register can be polled at a given rate to get information about the number of bytes in the TX FIFO. Alternatively, the number of bytes in the TX FIFO can be read from the chip status byte returned on the MISO line each time a header byte, data byte, or command strobe is sent on the SPI bus. This only valid when `R/W = 0`.

As explained in Section 10.3 and the *CC2550* Errata Notes [1], when using SPI polling there is a small, but finite, probability that a single read from registers `PKTSTATUS` and `TXBYTES` is being corrupt. The same is the case when reading the chip status byte. It is therefore recommended to employ an interrupt driven solution.

Refer to the TI website for SW examples ([5] and [6]).

14 Modulation Formats

CC2550 supports amplitude, frequency and phase shift modulation formats. The desired modulation format is set in the `MDMCFG2.MOD_FORMAT` register.

Optionally, the data stream can be Manchester coded by the modulator. This option is enabled by setting `MDMCFG2.MANCHESTER_EN=1`.

Manchester encoding is not supported at the same time as using the FEC/Interleaver option.

14.1 Frequency Shift Keying

2-FSK can optionally be shaped by a Gaussian filter with BT=1, producing a GFSK modulated signal.

The frequency deviation is programmed with the DEVIATION_M and DEVIATION_E values in the DEVIATN register. The value has an exponent/mantissa form, and the resultant deviation is given by:

$$f_{dev} = \frac{f_{xosc}}{2^{17}} \cdot (8 + DEVIATION_M) \cdot 2^{DEVIATION_E}$$

The symbol encoding is shown in Table 17.

| Format | Symbol | Coding |
|------------|--------|-------------|
| 2-FSK/GFSK | '0' | - Deviation |
| | '1' | + Deviation |

Table 17: Symbol Encoding for 2-FSK/GFSK Modulation

14.2 Minimum Shift Keying

When using MSK¹, the complete transmission (preamble, sync word and payload) will be MSK modulated.

Phase shifts are performed with a constant transition time.

The fraction of a symbol period used to change the phase can be modified with the DEVIATN.DEVIATION_M setting. This is equivalent to changing the shaping of the symbol.

The MSK modulation format implemented in CC2550 inverts the sync word and data compared to e.g. signal generators.

14.3 Amplitude Modulation

The supported amplitude modulation On-Off Keying (OOK) simply turns on or off the PA to modulate 1 and 0 respectively.

¹ Identical to offset QPSK with half-sine shaping (data coding may differ)

15 Forward Error Correction with Interleaving

15.1 Forward Error Correction (FEC)

CC2550 has built in support for Forward Error Correction (FEC) that can be used with CC2500 [9] at the receiver end. To enable this option, set MDMCFG1.FEC_EN=1. FEC is employed on the data field and CRC word in order to reduce the gross bit error rate when operating near the sensitivity limit. Redundancy is added to the transmitted data in such a way that the CC2500 [9] can restore the original data in the presence of some bit errors.

The use of FEC allows correct reception at a lower SNR, thus extending communication range. Alternatively, for a given SNR, using FEC decreases the bit error rate (BER). As the packet error rate (PER) is related to BER by:

$$PER = 1 - (1 - BER)^{packet_length}$$

a lower BER can be used to allow longer packets, or a higher percentage of packets of a given length, to be transmitted successfully. Finally, in realistic ISM radio environments,

transient and time-varying phenomena will produce occasional errors even in otherwise good reception conditions. FEC will mask such errors and, combined with interleaving of the coded data, even correct relatively long periods of faulty reception (burst errors).

The FEC scheme adopted for CC2550 is convolutional coding, in which *n* bits are generated based on *k* input bits and the *m* most recent input bits, forming a code stream able to withstand a certain number of bit errors between each coding state (the *m*-bit window).

The convolutional coder is a rate 1/2 code with a constraint length of m=4. The coder codes one input bit and produces two output bits; hence, the effective data rate is halved. I.e. to transmit at the same effective data rate when using FEC, it is necessary to use twice as high over-the-air data rate. I.e. to transmit at the same effective data rate when using FEC, it is necessary to use twice as high over-the-air data rate. This will require a higher CC2500 [9] receiver bandwidth, and thus reduced sensitivity. In other words, the improved reception by using FEC and the degraded

sensitivity from a higher receiver bandwidth will be counteracting factors.

15.2 Interleaving

Data received through radio channels will often experience burst errors due to interference and time-varying signal strengths. In order to increase the robustness to errors spanning multiple bits, interleaving is used when FEC is enabled. After de-interleaving on the receiver side, a continuous span of errors in the received stream will become single errors spread apart.

CC2550 employs matrix interleaving, which is illustrated in Figure 12. The on-chip interleaving buffer is a 4 x 4 matrix. The data bits from the rate 1/2 convolutional coder are written into the rows of the matrix, whereas the bit sequence to be transmitted is read from the columns of the matrix. Conversely, in a **CC2500** [9] receiver, the received symbols are written

into the rows of the matrix, whereas the data passed onto the convolutional decoder is read from the columns of the matrix.

When FEC and interleaving is used at least one extra byte is required for trellis termination. In addition, the amount of data transmitted over the air must be a multiple of the size of the interleaver buffer (two bytes). The packet control hardware therefore automatically inserts one or two extra bytes at the end of the packet, so that the total length of the data to be interleaved is an even number. Note that these extra bytes are invisible to the user, as they are removed before the received packet enters the RX FIFO in a **CC2500**[9].

When FEC and interleaving is used the minimum data payload is 2 bytes.

Note that for the **CC2500**[9] transceiver FEC is only supported in fixed packet length mode (`PKTCTRL0.LENGTH_CONFIG=0`).

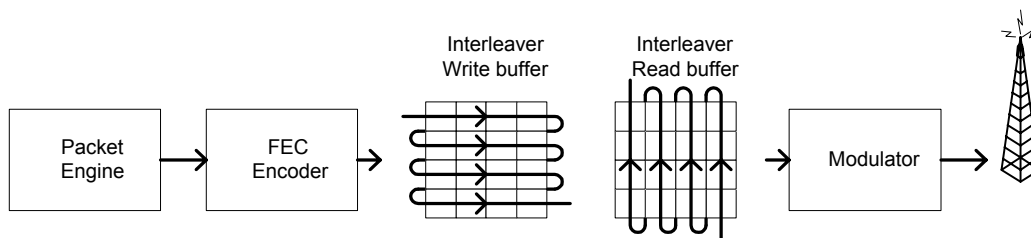


Figure 12: General Principle of Matrix Interleaving

16 Radio Control

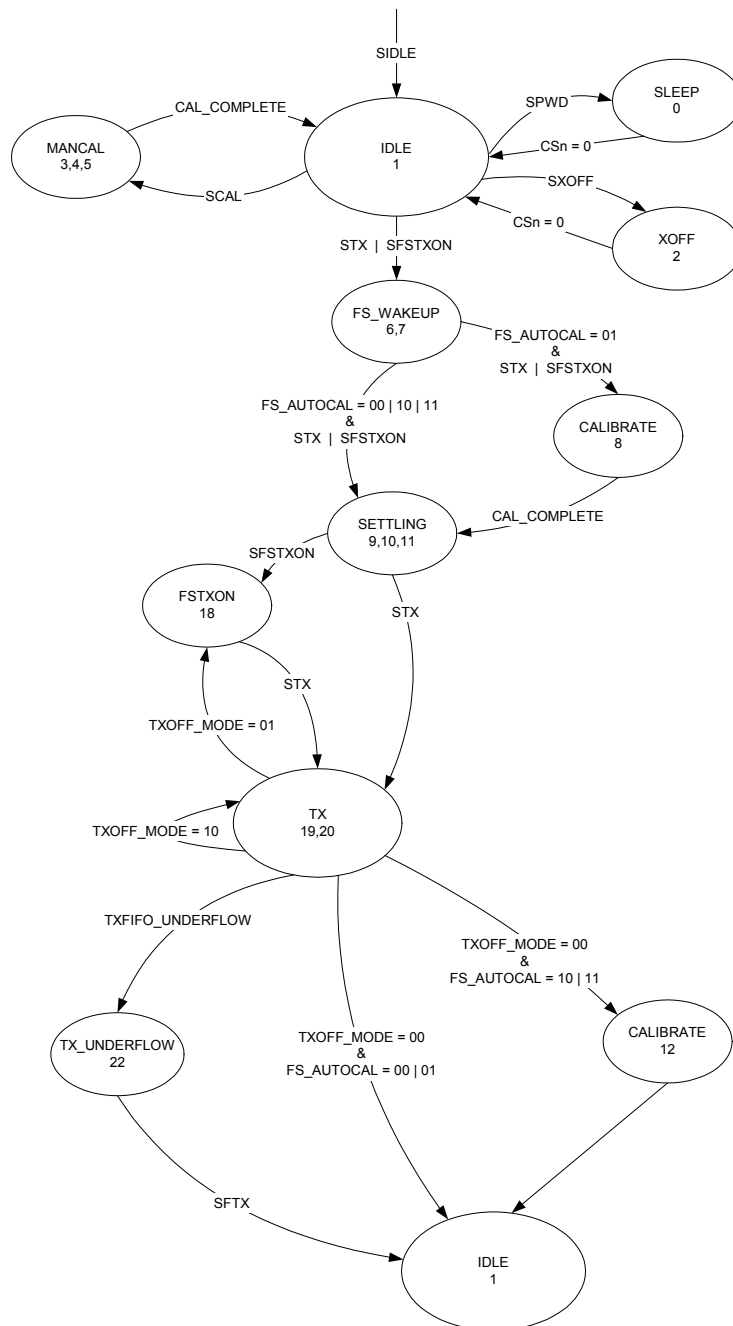


Figure 13: Complete Radio Control State Diagram

CC2550 has a built-in state machine that is used to switch between different operation states (modes). The change of state is done either by using command strobes or by internal events such as TX FIFO underflow.

A simplified state diagram, together with typical usage and current consumption, is shown in Figure 4 on page 13. The complete radio control state diagram is shown in Figure

13. The numbers refer to the state number readable in the MARCSTATE status register. This register is primarily for test purposes.

16.1 Power-On Start-Up Sequence

When the power supply is turned on, the system must be reset. One of the following two

sequences must be followed: Automatic power-on reset (POR) or manual reset.

16.1.1 Automatic POR

A power-on reset circuit is included in the **CC2550**. The minimum requirements stated in Section 4.7 must be followed for the power-on reset to function properly. The internal power-up sequence is completed when `CHIP_RDYn` goes low. `CHIP_RDYn` is observed on the `SO` pin after `CSn` is pulled low. See Section 10.1 for more details on `CHIP_RDYn`.

When the **CC2550** reset is completed the chip will be in the IDLE state and the crystal oscillator will be running. If the chip has had sufficient time for the crystal oscillator to stabilize after the power-on-reset, the `SO` pin will go low immediately after taking `CSn` low. If `CSn` is taken low before reset is completed the `SO` pin will first go high, indicating that the crystal oscillator is not stabilized, before going low as shown in Figure 14.

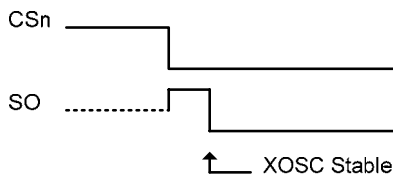


Figure 14: Power-On Reset

16.1.2 Manual Reset

The other global reset possibility on **CC2550** is the `SRES` command strobe. By issuing this strobe, all internal registers and states are set to the default, IDLE state. The manual power-up sequence is as follows (see Figure 15):

- Strobe `CSn` low / high.
- Hold `CSn` high for at least 40 μ s relative to pulling `CSn` low
- Pull `CSn` low and wait for `SO` to go low (`CHIP_RDYn`).
- Issue the `SRES` strobe on the `SI` line.
- When `SO` goes low again, reset is complete and the chip is in the IDLE state.

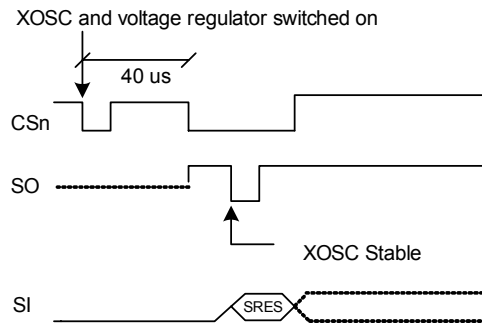


Figure 15: Power-On Reset with SRES

Note that the above reset procedure is only required just after the power supply is first turned on. If the user wants to reset the **CC2550** after this, it is only necessary to issue an `SRES` command strobe.

16.2 Crystal Control

The crystal oscillator is automatically turned on when `CSn` goes low. It will be turned off if the `SXOFF` or `SPWD` command strobes are issued; the state machine then goes to `XOFF` or `SLEEP` respectively. This can only be done from the IDLE state. The XOSC will be turned off when `CSn` is released (goes high). The XOSC will be automatically turned on again when `CSn` goes low. The state machine will then go to the IDLE state. The `SO` pin on the SPI interface must be pulled low before the SPI interface is ready to be used; as described in Section 10.1 on page 15.

Crystal oscillator start-up time depends on crystal ESR and load capacitances. The electrical specification for the crystal oscillator can be found in Section 4.3 on page 7.

16.3 Voltage Regulator Control

The voltage regulator to the digital core is controlled by the radio controller. When the chip enters the SLEEP state, which is the state with the lowest current consumption, the voltage regulator is disabled. This occurs after `CSn` is released when a `SPWD` command strobe has been sent on the SPI interface. The chip is now in the SLEEP state. Setting `CSn` low again will turn on the regulator and crystal oscillator and make the chip enter the IDLE state.

All **CC2550** register values (with the exception of the `MCSM0.PO_TIMEOUT` field) are lost in

the SLEEP state. After the chip gets back to the IDLE state, the registers will have default (reset) contents and must be reprogrammed over the SPI interface.

16.4 TX Mode

Transmit mode is activated by the MCU by using the STX command strobe.

The frequency synthesizer must be calibrated regularly. **CC2550** has one manual calibration option (using the SCAL strobe), and three automatic calibration options, controlled by the MCSM0.FS_AUTOCAL setting:

- Calibrate when going from IDLE to TX (or FSTXON)
- Calibrate when going from TX to IDLE automatically
- Calibrate every fourth time when going from TX to IDLE automatically

If the radio goes from TX to IDLE by issuing an SIDLE strobe, calibration will not be performed. The calibration takes a constant number of XOSC cycles (see Table 18 for timing details).

After activating TX mode, the chip will remain in the TX state until the current packet has been successfully transmitted. Then the state will change as indicated by the MCSM1.TXOFF_MODE setting. The possible destinations are:

- IDLE

17 TX FIFO

The **CC2550** contains a 64 byte FIFO for data to be transmitted. The SPI interface is used for writing to the TX FIFO. Section 10.5 contains details on the SPI FIFO access. The FIFO controller will detect underflow in the TX FIFO.

When writing to the TX FIFO it is the responsibility of the MCU to avoid TX FIFO overflow. A TX FIFO overflow will result in an error in the TX FIFO content.

The chip status byte that is available on the SO pin while transferring the SPI address contains the fill grade of the TX FIFO if the R/W bit in

- FSTXON: Frequency synthesizer on and ready at the TX frequency. Activate TX with STX.
- TX: Start sending preambles

The SIDLE command strobe can always be used to force the radio controller to go to the IDLE state.

16.5 Timing

The radio controller controls most timing in **CC2550**, such as synthesizer calibration and PLL lock time. Timing from IDLE to TX is constant, dependent on the auto calibration setting. The calibration time is constant 18739 clock periods. Table 18 shows timing in crystal clock cycles for key state transitions.

Power on time and XOSC start-up times are variable, but within the limits stated in Table 6.

Note that in a frequency hopping spread spectrum or a multi-channel protocol the calibration time can be reduced from 721 μ s to approximately 150 μ s. This is explained in Section 27.2.

| Description | XOSC Periods | 26 MHz Crystal |
|-------------------------------------|--------------|----------------|
| Idle to TX/FSTXON, no calibration | 2298 | 88.4 μ s |
| Idle to TX/FSTXON, with calibration | ~21037 | 809 μ s |
| TX to IDLE, no calibration | 2 | 0.1 μ s |
| TX to IDLE, including calibration | ~18739 | 721 μ s |
| Manual calibration | ~18739 | 721 μ s |

Table 18: State Transition Timing

the header byte is 0. Section 10.1 on page 15 contains more details on this.

The number of bytes in the TX FIFO can also be read from the TXBYTES.NUM_TXBYTES status register.

The 4-bit FIFOTHR.FIFO_THR setting is used to program threshold points in the FIFO. Table 19 lists the 16 FIFO_THR settings and the corresponding thresholds for the TX FIFO.

A signal will assert when the number of bytes in the FIFO is equal to or higher than the programmed threshold. The signal can be

viewed on the GDO pins (see Section 25 on page 33).

Figure 17 shows the number of bytes in the TX FIFO when the threshold flag toggles, in the case of `FIFO_THR=13`. Figure 16 shows the signal as the FIFO is filled above the threshold, and then drained below.

| FIFO_THR | Bytes in TX FIFO |
|-----------|------------------|
| 0 (0000) | 61 |
| 1 (0001) | 57 |
| 2 (0010) | 53 |
| 3 (0011) | 49 |
| 4 (0100) | 45 |
| 5 (0101) | 41 |
| 6 (0110) | 37 |
| 7 (0111) | 33 |
| 8 (1000) | 29 |
| 9 (1001) | 25 |
| 10 (1010) | 21 |
| 11 (1011) | 17 |
| 12 (1100) | 13 |
| 13 (1101) | 9 |
| 14 (1110) | 5 |
| 15 (1111) | 1 |

Table 19: FIFO_THR Settings and the Corresponding FIFO Thresholds

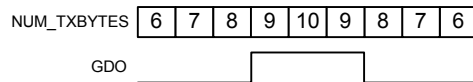


Figure 16: FIFO_THR=13 vs. Number of Bytes in FIFO (GDOx_CFG=0x02)

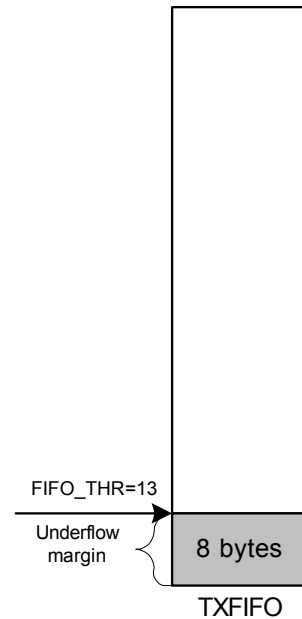


Figure 17: Example of FIFO at Threshold

18 Frequency Programming

The frequency programming in *CC2550* is designed to minimize the programming needed in a channel-oriented system.

To set up a system with channel numbers, the desired channel spacing is programmed with the `MDMCFG0.CHANSPC_M` and `MDMCFG1.CHANSPC_E` registers. The channel spacing registers are mantissa and exponent respectively.

The base or start frequency is set by the 24 bit frequency word located in the `FREQ2`, `FREQ1` and `FREQ0` registers. This word will typically be set to the centre of the lowest channel frequency that is to be used.

The desired channel number is programmed with the 8-bit channel number register, `CHANNR.CHAN`, which is multiplied by the channel offset. The resultant carrier frequency is given by:

$$f_{carrier} = \frac{f_{XOSC}}{2^{16}} \cdot (FREQ + CHAN \cdot ((256 + CHANSPC_M) \cdot 2^{CHANSPC_E-2}))$$

With a 26 MHz crystal the maximum channel spacing is 405 kHz. To get e.g. 1 MHz channel spacing one solution is to use 333 kHz channel spacing and select each third channel in `CHANNR.CHAN`.

If any frequency programming register is altered when the frequency synthesizer is running, the synthesizer may give an undesired response. Hence, the frequency programming should only be updated when the radio is in the IDLE state.

19 VCO

The VCO is completely integrated on-chip.

19.1 VCO and PLL Self-Calibration

The VCO characteristics will vary with temperature and supply voltage changes, as well as the desired operating frequency. In order to ensure reliable operation, **CC2550** includes frequency synthesizer self-calibration circuitry. This calibration should be done regularly, and must be performed after turning on power and before using a new frequency (or channel). The number of XOSC cycles for completing the PLL calibration is given in Table 18 on page 27.

The calibration can be initiated automatically or manually. The synthesizer can be automatically calibrated each time the synthesizer is turned on, or each time the synthesizer is turned off automatically. This is configured with the `MCSM0.FS_AUTOCAL` register setting. In manual mode, the

calibration is initiated when the `SCAL` command strobe is activated in the IDLE mode.

The calibration values are not maintained in sleep mode. Therefore, the **CC2550** must be recalibrated after reprogramming the configuration registers when the chip has been in the SLEEP state.

To check that the PLL is in lock the user can program register `IOCFGx.GDOx_CFG` to 0x0A and use the lock detector output available on the `GDOx` pin as an interrupt for the MCU ($x = 0$ or 1). A positive transition on the `GDOx` pin means that the PLL is in lock. As an alternative the user can read register `FSCAL1`. The PLL is in lock if the register content is different from 0x3F. Refer also to the **CC2550** Errata Notes [1]. For more robust operation the source code could include a check so that the PLL is recalibrated until PLL lock is achieved if the PLL does not lock the first time.

20 Voltage Regulators

CC2550 contains several on-chip linear voltage regulators, which generate the supply voltage needed by low-voltage modules. These voltage regulators are invisible to the user, and can be viewed as integral parts of the various modules. The user must however make sure that the absolute maximum ratings and required pin voltages in Table 1 and Table 11 are not exceeded. The voltage regulator for the digital core requires one external decoupling capacitor.

Setting the `CSn` pin low turns on the voltage regulator to the digital core and starts the crystal oscillator. The `SO` pin on the SPI interface must go low before the first positive edge of `SCLK` (setup time is given in Table 14).

If the chip is programmed to enter power-down mode, (`SPWD` strobe issued), the power will be turned off after `CSn` goes high. The power and crystal oscillator will be turned on again when `CSn` goes low.

The voltage regulator output should only be used for driving the **CC2550**.

21 Output Power Programming

The RF output power level from the device has two levels of programmability, as illustrated in Figure 18.

The RF output power level from the device is programmed through the `PATABLE` register.

- If 2-FSK, GFSK or MSK modulation is used the desired output power is programmed to index 0 in the `PATABLE` register (`PATABLE(0)[7:0]`). The 3-bit `FREND0.PA_POWER` value shall be set to 0 (reset default value).
- If OOK modulation is used the desired output power for the logic 0 and logic 1 power levels are programmed to index 0 and index 1 in the `PATABLE` register respectively (`PATABLE(0)[7:0]` and `PATABLE(1)[7:0]`). The 3-bit

`FREND0.PA_POWER` value shall be set to 1.

Table 20 contains recommended `PATABLE` settings for various output levels and frequency bands. See Section 10.6 on page 17 for `PATABLE` programming details. The SmartRF® Studio software [4] should be used to obtain optimum `PATABLE` settings for various output powers.

`PATABLE` must be programmed in burst mode if writing to other entries than `PATABLE(0)` (OOK modulation). Note that all content of the `PATABLE` is lost when entering the SLEEP state.

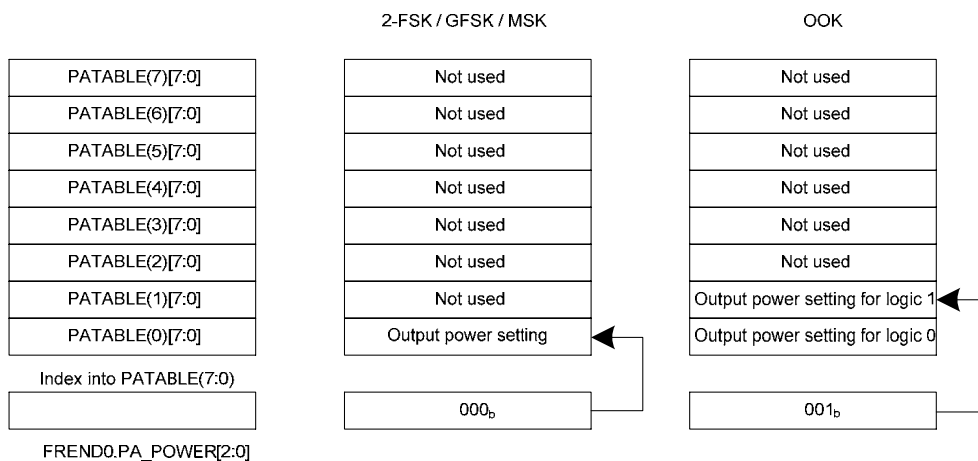


Figure 18: `PA_POWER` and `PATABLE`

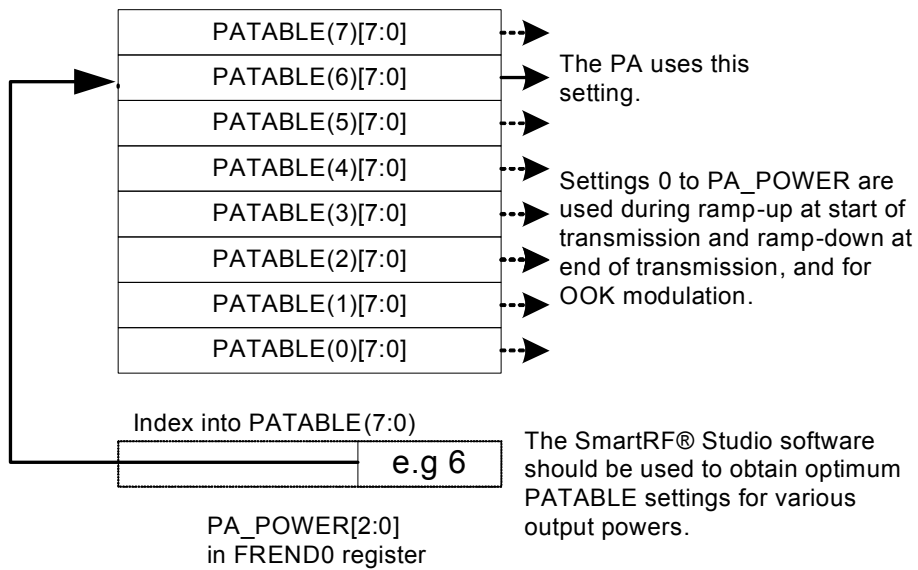


Figure 19: PA_POWER and PATABLE

| Output Power, Typical, +25°C, 3.0 V [dBm] | PATABLE Value | Current Consumption, Typical [mA] |
|---|---------------|-----------------------------------|
| (-55 or less) | 0x00 | 8.0 |
| -30 | 0x44 | 9.3 |
| -28 | 0x41 | 9.2 |
| -26 | 0x43 | 9.7 |
| -24 | 0x84 | 9.8 |
| -22 | 0x82 | 9.7 |
| -20 | 0x47 | 10.0 |
| -18 | 0xC8 | 11.6 |
| -16 | 0x85 | 10.2 |
| -14 | 0x59 | 11.6 |
| -12 | 0xC6 | 11.2 |
| -10 | 0x97 | 12.0 |
| -8 | 0xD6 | 12.9 |
| -6 | 0x7F | 14.7 |
| -4 | 0xA9 | 16.2 |
| -2 | 0xBF | 18.1 |
| 0 | 0xEE | 19.4 |
| 1 | 0xFF | 21.3 |

Table 20: Optimum PATABLE Settings for Various Output Power Levels

22 Crystal Oscillator

A crystal in the frequency range 26-27 MHz must be connected between the XOSC_Q1 and XOSC_Q2 pins. The oscillator is designed for parallel mode operation of the crystal. In addition, loading capacitors (C51 and C71) for the crystal are required. The loading capacitor values depend on the total load capacitance, C_L , specified for the crystal. The total load capacitance seen between the crystal terminals should equal C_L for the crystal to oscillate at the specified frequency.

$$C_L = \frac{1}{\frac{1}{C_{51}} + \frac{1}{C_{71}}} + C_{parasitic}$$

The parasitic capacitance is constituted by pin input capacitance and PCB stray capacitance. Total parasitic capacitance is typically 2.5 pF.

The crystal oscillator circuit is shown in Figure 20. Typical component values for different values of C_L are given in Table 21.

The crystal oscillator is amplitude regulated. This means that a high current is used to start up the oscillations. When the amplitude builds up, the current is reduced to what is necessary to maintain approximately 0.4 V_{pp} signal swing. This ensures a fast start-up, and keeps the drive level to a minimum. The ESR of the crystal should be within the specification in order to ensure a reliable start-up (see Section 4.3 on page 7).

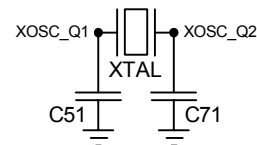


Figure 20: Crystal Oscillator Circuit

| Component | $C_L = 10$ pF | $C_L = 13$ pF | $C_L = 16$ pF |
|-----------|---------------|---------------|---------------|
| C51 | 15 pF | 22 pF | 27 pF |
| C71 | 15 pF | 22 pF | 27 pF |

Table 21: Crystal Oscillator Component Values

22.1 Reference Signal

The chip can alternatively be operated with a reference signal from 26 to 27 MHz instead of a crystal. This input clock can either be a full-swing digital signal (0 V to VDD) or a sine wave of maximum 1 V peak-peak amplitude. The reference signal must be connected to the

XOSC_Q1 input. The sine wave must be connected to XOSC_Q1 using a serial capacitor. When using a full-swing digital signal this capacitor can be omitted. The XOSC_Q2 line must be left un-connected. C51 and C71 can be omitted when using a reference signal

23 External RF Match

The balanced RF output of **CC2550** is designed for a simple, low-cost matching and balun network on the printed circuit board. A few passive external components ensure proper matching.

Although **CC2550** has a balanced RF output, the chip can be connected to a single-ended antenna with few external low cost capacitors and inductors.

The passive matching/filtering network connected to **CC2550** should have the following

differential impedance as seen from the RF-port (RF_P and RF_N) towards the antenna:

$$Z_{out} = 80 + j74 \Omega$$

To ensure optimal matching of the **CC2550** differential output it is highly recommended to follow the CC2550EM reference design [3] as closely as possible. Gerber files for the reference designs are available for download from the TI website.

24 PCB Layout Recommendations

The top layer should be used for signal routing, and the open areas should be filled with metallization connected to ground using several vias.

The area under the chip is used for grounding and shall be connected to the bottom ground plane with several vias for good thermal performance and sufficiently low inductance to ground. In the CC2550EM reference designs [3] 5 vias are placed inside the exposed die attached pad. These vias should be “tented” (covered with solder mask) on the component side of the PCB to avoid migration of solder through the vias during the solder reflow process.

The solder paste coverage should not be 100%. If it is, out gassing may occur during the reflow process, which may cause defects (splattering, solder balling). Using “tented” vias reduces the solder paste coverage below 100%.

See Figure 21 for top solder resist and top paste masks. See Figure 24 for recommended PCB layout for QLP 16 package.

Each decoupling capacitor should be placed as close as possible to the supply pin it is supposed to decouple. Each decoupling

capacitor should be connected to the power line by separate vias. The best routing is from the power line to the decoupling capacitor and then to the **CC2550** supply pin. Supply power filtering is very important.

Each decoupling capacitor ground pad should be connected to the ground plane using a separate via. Direct connections between neighboring power pins will increase noise coupling and should be avoided unless absolutely necessary.

The external components should ideally be as small as possible (0402 is recommended) and surface mount devices are highly recommended. Please note that components smaller than those specified may have differing characteristics.

Precaution should be used when placing the microcontroller in order to avoid noise interfering with the RF circuitry.

A CC2500/2550DK Development Kit with a fully assembled CC2550EM Evaluation Module is available. It is strongly advised that this reference layout is followed very closely in order to get the best performance. The schematic, BOM and layout Gerber files are all available from the TI website [3].

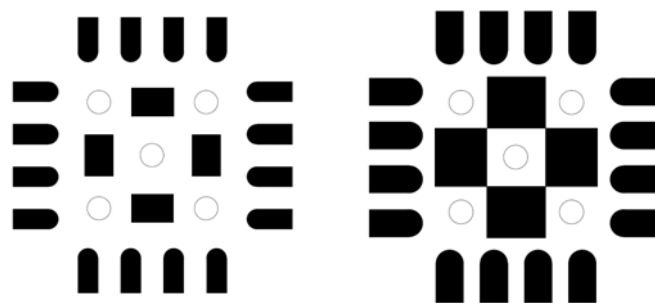


Figure 21: Left: Top Paste Mask. Right: Top Solder Resist Mask (negative). Circles are Vias.

25 General Purpose / Test Output Control Pins

The two digital output pins GDO0 and GDO1 are general control pins configured with `IOCFG0.GDO0_CFG` and `IOCFG1.GDO1_CFG` respectively. Table 22 shows the different signals that can be monitored on the GDO pins. These signals can be used as inputs to the MCU. GDO1 is the same pin as the SO pin on the SPI interface,

thus the output programmed on this pin will only be valid when CS_n is high. The default value for GDO1 is 3-stated, which is useful when the SPI interface is shared with other devices.

The default value for GDO0 is a 135-141 kHz clock output (XOSC frequency divided by 192). Since the XOSC is turned on at power-on-

reset, this can be used to clock the MCU in systems with only one crystal. When the MCU is up and running, it can change the clock frequency by writing to `IOCFG0.GDO0_CFG`.

An on-chip analog temperature sensor is enabled by writing the value 128 (0x80) to the

`IOCFG0.GDO0_CFG` register. The voltage on the `GDO0` pin is then proportional to temperature. See Section 4.5 on page 8 for temperature sensor specifications.

In SLEEP mode, `GDO1` will be hardwired to 1 and `GDO0` will be high impedance.

| GDOx_CFG[5:0] | Description |
|------------------------------|--|
| 0 (0x00) | Reserved – defined in the transceiver version. |
| 1 (0x01) | Reserved – defined in the transceiver version. |
| 2 (0x02) | Associated to the TX FIFO: Asserts when the TX FIFO is filled at or above the TX FIFO threshold. De-asserts when the TX FIFO is below the same threshold. |
| 3 (0x03) | Associated to the TX FIFO: Asserts when TX FIFO is full. De-asserts when the TX FIFO is drained below the TX FIFO threshold. |
| 4 (0x04) | Reserved – defined in the transceiver version. |
| 5 (0x05) | Asserts when the TX FIFO has underflowed. De-asserts when the FIFO is flushed. |
| 6 (0x06) | Asserts when sync word has been sent, and de-asserts at the end of the packet. The pin will also de-assert if the TX FIFO underflows. |
| 7 (0x07) to 9 (0x09) | Reserved |
| 10 (0x0A) | Lock detector output. The PLL is in lock if the lock detector output has a positive transition or is constantly logic high. To check for PLL lock the lock detector output should be used as an interrupt for the MCU. |
| 11 (0x0B) | Serial Clock. Synchronous to the data in synchronous serial mode. In TX mode, data is sampled by <i>CC2550</i> on the rising edge of the serial clock when <code>GDOx_INV=0</code> . |
| 12 (0x0C) to 40 (0x28) | Reserved – used for test. |
| 41 (0x29) | CHIP_RDY |
| 42 (0x2A) | Reserved – used for test. |
| 43 (0x2B) | XOSC_STABLE |
| 44 (0x2C) | Reserved – used for test. |
| 45 (0x2D) | <code>GDO0_Z_EN_N</code> . When this output is 0, <code>GDO0</code> is configured as input (for serial TX data). |
| 46 (0x2E) | High impedance (3-state) |
| 47 (0x2F) | HW to 0 (HW1 achieved with <code>_INV</code> signal). Can be used to control an external PA |
| 48 (0x30) | CLK_XOSC/1 |
| 49 (0x31) | CLK_XOSC/1.5 |
| 50 (0x32) | CLK_XOSC/2 |
| 51 (0x33) | CLK_XOSC/3 |
| 52 (0x34) | CLK_XOSC/4 |
| 53 (0x35) | CLK_XOSC/6 |
| 54 (0x36) | CLK_XOSC/8 |
| 55 (0x37) | CLK_XOSC/12 |
| 56 (0x38) | CLK_XOSC/16 |
| 57 (0x39) | CLK_XOSC/24 |
| 58 (0x3A) | CLK_XOSC/32 |
| 59 (0x3B) | CLK_XOSC/48 |
| 60 (0x3C) | CLK_XOSC/64 |
| 61 (0x3D) | CLK_XOSC/96 |
| 62 (0x3E) | CLK_XOSC/128 |
| 63 (0x3F) | CLK_XOSC/192 |

Note: There are 2 GDO pins, but only one CLK_XOSC/n can be selected as an output at any time. If CLK_XOSC/n is to be monitored on one of the GDO pins, the other GDO pin must be configured to a value less than 0x30. The GDO0 default value is CLK_XOSC/192.

Table 22: GDOx Signal Selection (x = 0 or 1)

26 Asynchronous and Synchronous Serial Operation

Several features and modes of operation have been included in the *CC2550* to provide backward compatibility with previous Chipcon products and other existing RF communication systems. For new systems, it is recommended to use the built-in packet handling features, as they can give more robust communication,

significantly offload the microcontroller and simplify software development.

26.1 Asynchronous Operation

For backward compatibility with systems already using the asynchronous data transfer from other Chipcon products, asynchronous

transfer is also included in *CC2550*. When asynchronous transfer is enabled, several of the support mechanisms for the MCU that are included in *CC2550* will be disabled, such as packet handling hardware, buffering in the FIFO and so on. The asynchronous transfer mode does not allow the use of the data whitener, interleaver and FEC, and it is not possible to use Manchester encoding.

Note that MSK is not supported for asynchronous transfer.

Setting `PKTCTRL0.PKT_FORMAT` to 3 enables asynchronous serial mode.

The `GDO0` pin is used for data input (TX data).

The *CC2550* modulator samples the level of the asynchronous input 8 times faster than the programmed data rate. The timing requirement for the asynchronous stream is that the error in the bit period must be less than one eighth of the programmed data rate.

26.2 Synchronous Serial Operation

Setting `PKTCTRL0.PKT_FORMAT` to 1 enables synchronous serial operation mode. In

the synchronous mode, data is transferred on a two wire serial interface. The *CC2550* provides a clock that is used to set up new data on the data input line. Data input (TX data) is the `GDO0` pin. This pin will automatically be configured as an input when TX is active.

Preamble and sync word insertion may or may not be active, dependent on the sync mode set by the `MDMCFG3.SYNC_MODE`. If preamble and sync word is disabled, all other packet handler features and FEC should also be disabled. The MCU must then handle preamble and sync word insertion in software. If preamble and sync word insertion is left on, all packet handling features and FEC can be used.

When using the packet handling features in synchronous serial mode, the *CC2550* will insert the preamble and sync word and the MCU will only provide the data payload. This is equivalent to the recommended FIFO operation mode.

27 System considerations and Guidelines

27.1 SRD Regulations

International regulations and national laws regulate the use of radio receivers and transmitters. The most important regulations for the 2.4 Ghz band are EN 300 440 and EN 300 328 (Europe), FCC CFR47 part 15.247 and 15.249 (USA), and ARIB STD-T66 (Japan). A summary of the most important aspects of these regulations can be found in Application Note AN032 [2].

Please note that compliance with regulations is dependent on complete system performance. It is the customer's responsibility to ensure that the system complies with regulations.

27.2 Frequency Hopping and Multi-Channel Systems

The 2.400 – 2.4835 GHz band is shared by many systems both in industrial, office and home environments. It is therefore recommended to use frequency hopping spread spectrum (FHSS) or a multi-channel protocol because the frequency diversity

makes the system more robust with respect to interference from other systems operating in the same frequency band. FHSS also combats multipath fading.

CC2550 is highly suited for FHSS or multi-channel systems due to its agile frequency synthesizer and effective communication interface. Using the packet handling support and data buffering is also beneficial in such systems as these features will significantly offload the host controller.

Charge pump current, VCO current and VCO capacitance array calibration data is required for each frequency when implementing frequency hopping for *CC2550*. There are 3 ways of obtaining the calibration data from the chip:

- 1) Frequency hopping with calibration for each hop. The PLL calibration time is approximately 720 μ s. The blanking interval between each frequency hop is then approximately 810 μ s.
- 2) Fast frequency hopping without calibration for each hop can be done by calibrating each frequency at startup and saving the resulting

FSCAL3, FSCAL2 and FSCAL1 register values in MCU memory. Between each frequency hop, the calibration process can then be replaced by writing the FSCAL3, FSCAL2 and FSCAL1 register values corresponding to the next RF frequency. The PLL turn on time is approximately 90 μ s. The blanking interval between each frequency hop is then approximately 90 μ s. The VCO current calibration result is available in FSCAL2 and is not dependent on the RF frequency. Neither is the charge pump current calibration result available in FSCAL3. The same value can therefore be used for all frequencies.

3) Run calibration on a single frequency at startup. Next write 0 to FSCAL3[5:4] to disable the charge pump calibration. After writing to FSCAL3[5:4] strobe STX with MCSM0.FS_AUTOCAL=1 for each new frequency hop. That is, VCO current and VCO capacitance calibration is done but not charge pump current calibration. When charge pump current calibration is disabled the calibration time is reduced from approximately 720 μ s to approximately 150 μ s. The blanking interval between each frequency hop is then approximately 240 μ s

There is a trade off between blanking time and memory space needed for storing calibration data in non-volatile memory. Solution 2) above gives the shortest blanking interval, but requires more memory space to store calibration values. Solution 3) gives approximately 570 μ s smaller blanking interval than solution 1).

27.3 Wideband Modulation not Using Spread Spectrum

Digital modulation systems under FCC part 15.247 includes 2-FSK and GFSK modulation. A maximum peak output power of 1 W (+30 dBm) is allowed if the 6 dB bandwidth of the modulated signal exceeds 500 kHz. In addition, the peak power spectral density conducted to the antenna shall not be greater than +8 dBm in any 3 kHz band.

Operating at high data rates and high frequency separation, the *CC2550* is suited for systems targeting compliance with digital modulation systems as defined by FCC part 15.247. An external power amplifier is needed to increase the output above +1 dBm.

27.4 Data Burst Transmissions

The high maximum data rate of *CC2550* opens up for burst transmissions. A low average data rate link (e.g. 10 kBaud), can be realized using a higher over-the-air data rate. Buffering the data and transmitting in bursts at high data rate (e.g. 500 kBaud) will reduce the time in TX mode, and hence also reduce the average current consumption significantly. Reducing the time in TX mode will reduce the likelihood of collisions with other systems, e.g. WLAN.

27.5 Continuous Transmissions

In data streaming applications the *CC2550* opens up for continuous transmissions at 500 kBaud effective data rate. As the modulation is done with a closed loop PLL, there is no limitation in the length of a transmission (open loop modulation used in some transceivers often prevents this kind of continuous data streaming and reduces the effective data rate.)

27.6 Spectrum Efficient Modulation

CC2500 also has the possibility to use Gaussian shaped 2-FSK (GFSK). This spectrum-shaping feature improves adjacent channel power (ACP) and occupied bandwidth. In 'true' 2-FSK systems with abrupt frequency shifting, the spectrum is inherently broad. By making the frequency shift 'softer', the spectrum can be made significantly narrower. Thus, higher data rates can be transmitted in the same bandwidth using GFSK.

27.7 Low Cost Systems

A differential antenna will eliminate the need for a balun, and the DC biasing can be achieved in the antenna topology, see Figure 3. The CC25XX Folded Dipole reference design [7] contains schematics and layout files for a CC2500EM with a folded dipole PCB antenna. This design note can also be used with the *CC2550*. Please see DN004 [8] for more details on this design.

A HC-49 type SMD crystal is used in the CC2550EM reference design. Note that the crystal package strongly influences the price. In a size constrained PCB design a smaller, but more expensive, crystal may be used.

27.8 Battery Operated Systems

In low power applications, the SLEEP state should be used when the *CC2550* is not active.

27.9 Increasing Output Power

In some applications it may be necessary to extend the link range by adding an external power amplifier.

The power amplifier should be inserted between the antenna and the balun as shown in Figure 22.

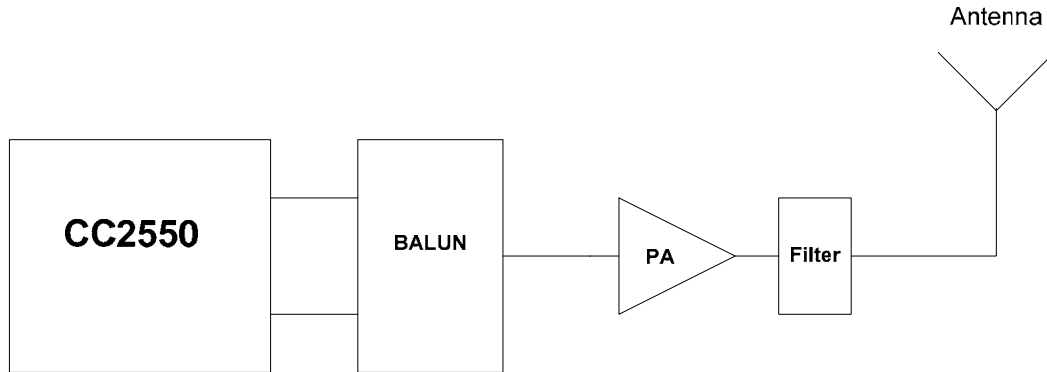


Figure 22: Block Diagram of *CC2550* Usage with External Power Amplifier

28 Configuration Registers

The configuration of *CC2550* is done by programming 8-bit registers. The optimum configuration data based on selected system parameters are most easily found by using the SmartRF® Studio software [4]. Complete descriptions of the registers are given in the following tables. After chip reset, all the registers have default values as shown in the tables. The optimum register setting might differ from the default value. After a reset all registers that shall be different from the default value therefore needs to be programmed through the SPI interface.

There are 9 command strobe registers, listed in Table 23. Accessing these registers will initiate the change of an internal state or mode. There are 29 normal 8-bit configuration registers, listed in Table 24. Some of these registers are for test purposes only, and need not be written for normal operation of *CC2550*.

There are also 6 status registers, which are listed in Table 25. These registers, which are read-only, contain information about the status of *CC2550*.

The TX FIFO is accessed through one 8-bit register. Only write operations are allowed to the TX FIFO.

During the header byte transfer and while writing data to a register or the TX FIFO, a status byte is returned on the *SO* line. This status byte is described in Table 15 on page 16.

Table 26 summarizes the SPI address space. Registers that are only defined in the *CC2500* transceiver are also listed. *CC2500* and *CC2550* are register compatible, but registers and fields only implemented in the transceiver always contain 0 in *CC2550*. The address to use is given by adding the base address to the left and the burst and R/W bits on the top. Note that the burst bit has different meaning for base addresses above and below 0x2F.

Note that all registers, (with the exception of the `MSCM0.PO_TIMEOUT` field) will lose their content in SLEEP mode.

| Address | Strobe Name | Description |
|---------|-------------|--|
| 0x30 | SRES | Reset chip. |
| 0x31 | SFSTXON | Enable and calibrate frequency synthesizer (if <code>MCSM0.FS_AUTOCAL=1</code>). |
| 0x32 | SXOFF | Turn off crystal oscillator. |
| 0x33 | SCAL | Calibrate frequency synthesizer and turn it off (enables quick start). <code>SCAL</code> can be strobed in IDLE state without setting manual calibration mode (<code>MCSM0.FS_AUTOCAL=0</code>). |
| 0x35 | STX | Enable TX. Perform calibration first if <code>MCSM0.FS_AUTOCAL=1</code> . |
| 0x36 | SIDLE | Exit TX and turn off frequency synthesizer. |
| 0x39 | SPWD | Enter power down mode when <code>CSn</code> goes high. |
| 0x3B | SFTX | Flush the TX FIFO buffer. |
| 0x3D | SNOP | No operation. May be used to get access to the chip status byte. |

Table 23: Command Strobes

| Address | Register | Description | Details on Page Number |
|---------|----------|--|------------------------|
| 0x01 | IOCFG1 | GDO1 output pin configuration | 41 |
| 0x02 | IOCFG0 | GDO0 output pin configuration | 41 |
| 0x03 | FIFOTHR | FIFO threshold | 41 |
| 0x04 | SYNC1 | Sync word, high byte | 42 |
| 0x05 | SYNC0 | Sync word, low byte | 42 |
| 0x06 | PKTLEN | Packet length | 42 |
| 0x08 | PKTCTRL0 | Packet automation control | 42 |
| 0x0A | CHANNR | Channel number | 43 |
| 0x0D | FREQ2 | Frequency control word, high byte | 43 |
| 0x0E | FREQ1 | Frequency control word, middle byte | 43 |
| 0x0F | FREQ0 | Frequency control word, low byte | 43 |
| 0x10 | MDMCFG4 | Modulator configuration | 43 |
| 0x11 | MDMCFG3 | Modulator configuration | 43 |
| 0x12 | MDMCFG2 | Modulator configuration | 44 |
| 0x13 | MDMCFG1 | Modulator configuration | 45 |
| 0x14 | MDMCFG0 | Modulator configuration | 45 |
| 0x15 | DEVIATN | Modulator deviation setting | 46 |
| 0x17 | MCSM1 | Main Radio Control State Machine configuration | 46 |
| 0x18 | MCSM0 | Main Radio Control State Machine configuration | 47 |
| 0x22 | FREND0 | Front end TX configuration | 47 |
| 0x23 | FSCAL3 | Frequency synthesizer calibration | 48 |
| 0x24 | FSCAL2 | Frequency synthesizer calibration | 48 |
| 0x25 | FSCAL1 | Frequency synthesizer calibration | 48 |
| 0x26 | FSCAL0 | Frequency synthesizer calibration | 48 |
| 0x29 | FSTEST | Frequency synthesizer calibration control | 49 |
| 0x2A | PTEST | Production test | 49 |
| 0x2C | TEST2 | Various test settings | 49 |
| 0x2D | TEST1 | Various test settings | 49 |
| 0x2E | TEST0 | Various test settings | 49 |

Table 24: Configuration Registers Overview

| Address | Register | Description | Details on Page Number |
|-------------|------------|---|------------------------|
| 0x30 (0xF0) | PARTNUM | CC2550 part number | 49 |
| 0x31 (0xF1) | VERSION | Current version number | 49 |
| 0x35 (0xF5) | MARCSTATE | Control state machine state | 50 |
| 0x38 (0xF8) | PKTSTATUS | Current GDO _x status and packet status | 50 |
| 0x39 (0xF9) | VCO_VC_DAC | Current setting from PLL calibration module | 51 |
| 0x3A (0xFA) | TXBYTES | Underflow and number of bytes in the TX FIFO | 51 |

Table 25: Status Registers Overview

| | Write | | Read | | |
|------|-------------|---------|-------------|------------|--|
| | Single byte | Burst | Single byte | Burst | |
| | +0x00 | +0x40 | +0x80 | +0xC0 | |
| 0x00 | | | | Reserved | R/W configuration registers, burst access possible |
| 0x01 | | | | IOCFG1 | |
| 0x02 | | | | IOCFG0 | |
| 0x03 | | | | FIFOTHR | |
| 0x04 | | | | SYNC1 | |
| 0x05 | | | | SYNC0 | |
| 0x06 | | | | PKTLEN | |
| 0x07 | | | | Reserved | |
| 0x08 | | | | PKTCTRL0 | |
| 0x09 | | | | Reserved | |
| 0x0A | | | | CHANNR | |
| 0x0B | | | | Reserved | |
| 0x0C | | | | Reserved | |
| 0x0D | | | | FREQ2 | |
| 0x0E | | | | FREQ1 | |
| 0x0F | | | | FREQ0 | |
| 0x10 | | | | MDMCFG4 | |
| 0x11 | | | | MDMCFG3 | |
| 0x12 | | | | MDMCFG2 | |
| 0x13 | | | | MDMCFG1 | |
| 0x14 | | | | MDMCFG0 | |
| 0x15 | | | | DEVIATN | |
| 0x16 | | | | Reserved | |
| 0x17 | | | | MCSM1 | |
| 0x18 | | | | MCSM0 | |
| 0x19 | | | | Reserved | |
| 0x1A | | | | Reserved | |
| 0x1B | | | | Reserved | |
| 0x1C | | | | Reserved | |
| 0x1D | | | | Reserved | |
| 0x1E | | | | Reserved | |
| 0x1F | | | | Reserved | |
| 0x20 | | | | Reserved | |
| 0x21 | | | | Reserved | |
| 0x22 | | | | FREND0 | |
| 0x23 | | | | FSCAL3 | |
| 0x24 | | | | FSCAL2 | |
| 0x25 | | | | FSCAL1 | |
| 0x26 | | | | FSCAL0 | |
| 0x27 | | | | Reserved | |
| 0x28 | | | | Reserved | |
| 0x29 | | | | FSTEST | |
| 0x2A | | | | PTEST | |
| 0x2B | | | | Reserved | |
| 0x2C | | | | TEST2 | |
| 0x2D | | | | TEST1 | |
| 0x2E | | | | TEST0 | |
| 0x2F | | | | | |
| 0x30 | SRES | | SRES | PARTNUM | Command strobes, status registers (read only) and multi-byte registers |
| 0x31 | SFSTXON | | SFSTXON | VERSION | |
| 0x32 | SXOFF | | SXOFF | FREQEST | |
| 0x33 | SCAL | | SCAL | Reserved | |
| 0x34 | Reserved | | Reserved | Reserved | |
| 0x35 | STX | | STX | MARCSTATE | |
| 0x36 | SIDLE | | SIDLE | Reserved | |
| 0x37 | | | | Reserved | |
| 0x38 | Reserved | | Reserved | PKTSTATUS | |
| 0x39 | SPWD | | SPWD | VCO VC DAC | |
| 0x3A | Reserved | | Reserved | TXBYTES | |
| 0x3B | SFTX | | SFTX | Reserved | |
| 0x3C | Reserved | | Reserved | | |
| 0x3D | SNOP | | SNOP | | |
| 0x3E | PATABLE | PATABLE | Reserved | Reserved | |
| 0x3F | TX FIFO | TX FIFO | RX FIFO | RX FIFO | |

Table 26: SPI Address Space

28.1 Configuration Register Details

0x01: IOCFG1 – GDO1 Output Pin Configuration

| Bit | Field Name | Reset | R/W | Description |
|-----|---------------|-----------|-----|--|
| 7 | GDO_DS | 0 | R/W | Set high (1) or low (0) output drive strength on the GDO pins. |
| 6 | GDO1_INV | 0 | R/W | Invert output, i.e. select active low (1) / high (0) |
| 5:0 | GDO1_CFG[5:0] | 46 (0x2E) | R/W | Default is 3-state (see Table 22 on page 34) |

0x02: IOCFG0 – GDO0 Output Pin Configuration

| Bit | Field Name | Reset | R/W | Description |
|-----|--------------------|-----------|-----|--|
| 7 | TEMP_SENSOR_ENABLE | 0 | R/W | Enable analog temperature sensor. Write 0 in all other register bits when using temperature sensor. Note: PTEST must be written to 0xBF to make the on-chip temperature sensor available in the IDLE state. |
| 6 | GDO0_INV | 0 | R/W | Invert output, i.e. select active low (1) / high (0) |
| 5:0 | GDO0_CFG[5:0] | 63 (0x3F) | R/W | Default is CLK_XOSC/192 (see Table 22 on page 34) |

0x03: FIFOTHR – TX FIFO Threshold

| Bit | Field Name | Reset | R/W | Description | | | | | | | | | | | | | | | | | | | | | | | | | | | | | | | | | | |
|-----------|------------------|----------|-----|---|---------|------------------|----------|----|----------|----|----------|----|----------|----|----------|----|----------|----|----------|----|----------|----|----------|----|----------|----|-----------|----|-----------|----|-----------|----|-----------|---|-----------|---|-----------|---|
| 7:4 | Reserved | 0 (0000) | R/W | Write 0 (0000) for compatibility with possible future extensions | | | | | | | | | | | | | | | | | | | | | | | | | | | | | | | | | | |
| 3:0 | FIFO_THR[3:0] | 7 (0111) | R/W | Set the threshold for the TX FIFO. The threshold is exceeded when the number of bytes in the FIFO is equal to or higher than the threshold value. <table border="1" style="margin-left: 20px;"> <thead> <tr> <th>Setting</th> <th>Bytes in TX FIFO</th> </tr> </thead> <tbody> <tr><td>0 (0000)</td><td>61</td></tr> <tr><td>1 (0001)</td><td>57</td></tr> <tr><td>2 (0010)</td><td>53</td></tr> <tr><td>3 (0011)</td><td>49</td></tr> <tr><td>4 (0100)</td><td>45</td></tr> <tr><td>5 (0101)</td><td>41</td></tr> <tr><td>6 (0110)</td><td>37</td></tr> <tr><td>7 (0111)</td><td>33</td></tr> <tr><td>8 (1000)</td><td>29</td></tr> <tr><td>9 (1001)</td><td>25</td></tr> <tr><td>10 (1010)</td><td>21</td></tr> <tr><td>11 (1011)</td><td>17</td></tr> <tr><td>12 (1100)</td><td>13</td></tr> <tr><td>13 (1101)</td><td>9</td></tr> <tr><td>14 (1110)</td><td>5</td></tr> <tr><td>15 (1111)</td><td>1</td></tr> </tbody> </table> | Setting | Bytes in TX FIFO | 0 (0000) | 61 | 1 (0001) | 57 | 2 (0010) | 53 | 3 (0011) | 49 | 4 (0100) | 45 | 5 (0101) | 41 | 6 (0110) | 37 | 7 (0111) | 33 | 8 (1000) | 29 | 9 (1001) | 25 | 10 (1010) | 21 | 11 (1011) | 17 | 12 (1100) | 13 | 13 (1101) | 9 | 14 (1110) | 5 | 15 (1111) | 1 |
| Setting | Bytes in TX FIFO | | | | | | | | | | | | | | | | | | | | | | | | | | | | | | | | | | | | | |
| 0 (0000) | 61 | | | | | | | | | | | | | | | | | | | | | | | | | | | | | | | | | | | | | |
| 1 (0001) | 57 | | | | | | | | | | | | | | | | | | | | | | | | | | | | | | | | | | | | | |
| 2 (0010) | 53 | | | | | | | | | | | | | | | | | | | | | | | | | | | | | | | | | | | | | |
| 3 (0011) | 49 | | | | | | | | | | | | | | | | | | | | | | | | | | | | | | | | | | | | | |
| 4 (0100) | 45 | | | | | | | | | | | | | | | | | | | | | | | | | | | | | | | | | | | | | |
| 5 (0101) | 41 | | | | | | | | | | | | | | | | | | | | | | | | | | | | | | | | | | | | | |
| 6 (0110) | 37 | | | | | | | | | | | | | | | | | | | | | | | | | | | | | | | | | | | | | |
| 7 (0111) | 33 | | | | | | | | | | | | | | | | | | | | | | | | | | | | | | | | | | | | | |
| 8 (1000) | 29 | | | | | | | | | | | | | | | | | | | | | | | | | | | | | | | | | | | | | |
| 9 (1001) | 25 | | | | | | | | | | | | | | | | | | | | | | | | | | | | | | | | | | | | | |
| 10 (1010) | 21 | | | | | | | | | | | | | | | | | | | | | | | | | | | | | | | | | | | | | |
| 11 (1011) | 17 | | | | | | | | | | | | | | | | | | | | | | | | | | | | | | | | | | | | | |
| 12 (1100) | 13 | | | | | | | | | | | | | | | | | | | | | | | | | | | | | | | | | | | | | |
| 13 (1101) | 9 | | | | | | | | | | | | | | | | | | | | | | | | | | | | | | | | | | | | | |
| 14 (1110) | 5 | | | | | | | | | | | | | | | | | | | | | | | | | | | | | | | | | | | | | |
| 15 (1111) | 1 | | | | | | | | | | | | | | | | | | | | | | | | | | | | | | | | | | | | | |

0x04: SYNC1– Sync Word, High Byte

| Bit | Field Name | Reset | R/W | Description |
|-----|------------|------------|-----|---------------------------|
| 7:0 | SYNC[15:8] | 211 (0xD3) | R/W | 8 MSB of 16-bit sync word |

0x05: SYNC0 – Sync Word, Low Byte

| Bit | Field Name | Reset | R/W | Description |
|-----|------------|------------|-----|---------------------------|
| 7:0 | SYNC[7:0] | 145 (0x91) | R/W | 8 LSB of 16-bit sync word |

0x06: PKTLEN – Packet Length

| Bit | Field Name | Reset | R/W | Description |
|-----|---------------|------------|-----|--|
| 7:0 | PACKET_LENGTH | 255 (0xFF) | R/W | Indicates the packet length when fixed packet length is enabled. |

0x08: PKTCTRL0 – Packet Automation Control

| Bit | Field Name | Reset | R/W | Description | | | | | | | | | | |
|---------|--|--------|-----|--|---------|-----------------------------|--------|--|--------|--|--------|---|--------|--|
| 7 | Reserved | | R0 | | | | | | | | | | | |
| 6 | WHITE_DATA | 1 | R/W | Turn data whitening on / off 0: Whitening off 1: Whitening on Data whitening can only be used when PKTCTRL0.CC2400_EN=0 (default). | | | | | | | | | | |
| 5:4 | PKT_FORMAT[1:0] | 0 (00) | R/W | Format of TX data <table border="1"> <thead> <tr> <th>Setting</th> <th>Packet format</th> </tr> </thead> <tbody> <tr> <td>0 (00)</td> <td>Normal mode, use TX FIFO</td> </tr> <tr> <td>1 (01)</td> <td>Synchronous serial mode, used for backwards compatibility</td> </tr> <tr> <td>2 (10)</td> <td>Random TX mode; sends random data using PN9 generator. Used for test.</td> </tr> <tr> <td>3 (11)</td> <td>Asynchronous serial mode. Data in on GDO0.</td> </tr> </tbody> </table> | Setting | Packet format | 0 (00) | Normal mode, use TX FIFO | 1 (01) | Synchronous serial mode, used for backwards compatibility | 2 (10) | Random TX mode; sends random data using PN9 generator. Used for test. | 3 (11) | Asynchronous serial mode. Data in on GDO0. |
| Setting | Packet format | | | | | | | | | | | | | |
| 0 (00) | Normal mode, use TX FIFO | | | | | | | | | | | | | |
| 1 (01) | Synchronous serial mode, used for backwards compatibility | | | | | | | | | | | | | |
| 2 (10) | Random TX mode; sends random data using PN9 generator. Used for test. | | | | | | | | | | | | | |
| 3 (11) | Asynchronous serial mode. Data in on GDO0. | | | | | | | | | | | | | |
| 3 | CC2400_EN | 0 | R/W | Enable CC2400 support. Use same CRC implementation as CC2400. PKTCTRL0.WHITE_DATA must be 0 if PKTCTRL0.CC2400_EN=1. | | | | | | | | | | |
| 2 | CRC_EN | 1 | R/W | 1: CRC calculation enabled 0: CRC disabled | | | | | | | | | | |
| 1:0 | LENGTH_CONFIG[1:0] | 1 (01) | R/W | Configure the packet length <table border="1"> <thead> <tr> <th>Setting</th> <th>Packet length configuration</th> </tr> </thead> <tbody> <tr> <td>0 (00)</td> <td>Fixed packet length mode. Length configured in PKTLEN register</td> </tr> <tr> <td>1 (01)</td> <td>Variable packet length mode. Length configured by the first byte after sync word</td> </tr> <tr> <td>2 (10)</td> <td>Infinite packet length mode</td> </tr> <tr> <td>3 (11)</td> <td>Reserved</td> </tr> </tbody> </table> | Setting | Packet length configuration | 0 (00) | Fixed packet length mode. Length configured in PKTLEN register | 1 (01) | Variable packet length mode. Length configured by the first byte after sync word | 2 (10) | Infinite packet length mode | 3 (11) | Reserved |
| Setting | Packet length configuration | | | | | | | | | | | | | |
| 0 (00) | Fixed packet length mode. Length configured in PKTLEN register | | | | | | | | | | | | | |
| 1 (01) | Variable packet length mode. Length configured by the first byte after sync word | | | | | | | | | | | | | |
| 2 (10) | Infinite packet length mode | | | | | | | | | | | | | |
| 3 (11) | Reserved | | | | | | | | | | | | | |

0x0A: CHANNR – Channel Number

| Bit | Field Name | Reset | R/W | Description |
|-----|------------|----------|-----|--|
| 7:0 | CHAN[7:0] | 0 (0x00) | R/W | The 8-bit unsigned channel number, which is multiplied by the channel spacing setting and added to the base frequency. |

0x0D: FREQ2 – Frequency Control Word, High Byte

| Bit | Field Name | Reset | R/W | Description |
|-----|-------------|-----------|-----|---|
| 7:6 | FREQ[23:22] | 1 (01) | R | FREQ[23:22] is always binary 01 (the FREQ2 register is in the range 85 to 95 with 26-27 MHz crystal) |
| 5:0 | FREQ[21:16] | 30 (0x1E) | R/W | FREQ[23:0] is the base frequency for the frequency synthesiser in increments of $F_{XOSC}/2^{16}$. $f_{carrier} = \frac{f_{XOSC}}{2^{16}} \cdot FREQ[23:0]$ |

0x0E: FREQ1 – Frequency Control Word, Middle Byte

| Bit | Field Name | Reset | R/W | Description |
|-----|------------|------------|-----|---------------------|
| 7:0 | FREQ[15:8] | 196 (0xC4) | R/W | Ref. FREQ2 register |

0x0F: FREQ0 – Frequency Control Word, Low Byte

| Bit | Field Name | Reset | R/W | Description |
|-----|------------|------------|-----|---------------------|
| 7:0 | FREQ[7:0] | 236 (0xEC) | R/W | Ref. FREQ2 register |

0x10: MDMCFG4 – Modulator Configuration

| Bit | Field Name | Reset | R/W | Description |
|-----|--------------|-----------|-----|--|
| 7:4 | Reserved | | R0 | Defined in the transceiver version |
| 3:0 | DRATE_E[3:0] | 12 (1100) | R/W | The exponent of the user specified symbol rate |

0x11: MDMCFG3 – Modulator Configuration

| Bit | Field Name | Reset | R/W | Description |
|-----|--------------|-----------|-----|--|
| 7:0 | DRATE_M[7:0] | 34 (0x22) | R/W | The mantissa of the user specified symbol rate. The symbol rate is configured using an unsigned, floating-point number with 9-bit mantissa and 4-bit exponent. The 9 th bit is a hidden '1'. The resulting data rate is: $R_{DATA} = \frac{(256 + DRATE_M) \cdot 2^{DRATE_E}}{2^{28}} \cdot f_{XOSC}$ <p>The default values give a data rate of 115.051 kBaud (closest setting to 115.2 kBaud), assuming a 26.0 MHz crystal.</p> |

0x12: MDMCFG2 – Modulator Configuration

| Bit | Field Name | Reset | R/W | Description | | | | | | | | | | | | | | | | | | |
|---------|---|---------|-----|--|---------|-------------------|---------|---|---------|--------------------------------------|---------|--------------------------------------|---------|---------------------------------|---------|---|---------|--------------------------------------|---------|--------------------------------------|---------|---------------------------------|
| 7 | Reserved | | R0 | | | | | | | | | | | | | | | | | | | |
| 6:4 | MOD_FORMAT[2:0] | 1 (001) | R/W | <p>The modulation format of the radio signal</p> <table border="1"> <thead> <tr> <th>Setting</th> <th>Modulation format</th> </tr> </thead> <tbody> <tr> <td>0 (000)</td> <td>2-FSK</td> </tr> <tr> <td>1 (001)</td> <td>GFSK</td> </tr> <tr> <td>2 (010)</td> <td>-</td> </tr> <tr> <td>3 (011)</td> <td>OOK</td> </tr> <tr> <td>4 (100)</td> <td>-</td> </tr> <tr> <td>5 (101)</td> <td>-</td> </tr> <tr> <td>6 (110)</td> <td>-</td> </tr> <tr> <td>7 (111)</td> <td>MSK</td> </tr> </tbody> </table> | Setting | Modulation format | 0 (000) | 2-FSK | 1 (001) | GFSK | 2 (010) | - | 3 (011) | OOK | 4 (100) | - | 5 (101) | - | 6 (110) | - | 7 (111) | MSK |
| Setting | Modulation format | | | | | | | | | | | | | | | | | | | | | |
| 0 (000) | 2-FSK | | | | | | | | | | | | | | | | | | | | | |
| 1 (001) | GFSK | | | | | | | | | | | | | | | | | | | | | |
| 2 (010) | - | | | | | | | | | | | | | | | | | | | | | |
| 3 (011) | OOK | | | | | | | | | | | | | | | | | | | | | |
| 4 (100) | - | | | | | | | | | | | | | | | | | | | | | |
| 5 (101) | - | | | | | | | | | | | | | | | | | | | | | |
| 6 (110) | - | | | | | | | | | | | | | | | | | | | | | |
| 7 (111) | MSK | | | | | | | | | | | | | | | | | | | | | |
| 3 | MANCHESTER_EN | 0 | R/W | <p>Enables Manchester encoding</p> <p>0 = Disable</p> <p>1 = Enable (Only supported for fixed packet length mode, i.e. PKTCTRL0.LENGTH_CONFIG=0)</p> | | | | | | | | | | | | | | | | | | |
| 2:0 | SYNC_MODE[2:0] | 2 (010) | R/W | <p>Sync-word mode.</p> <table border="1"> <thead> <tr> <th>Setting</th> <th>Sync-word mode</th> </tr> </thead> <tbody> <tr> <td>0 (000)</td> <td>Disable preamble and sync word transmission</td> </tr> <tr> <td>1 (001)</td> <td>Enable 16-bit sync word transmission</td> </tr> <tr> <td>2 (010)</td> <td>Enable 16-bit sync word transmission</td> </tr> <tr> <td>3 (011)</td> <td>Repeated sync word transmission</td> </tr> <tr> <td>4 (100)</td> <td>Disable preamble and sync word transmission</td> </tr> <tr> <td>5 (101)</td> <td>Enable 16-bit sync word transmission</td> </tr> <tr> <td>6 (110)</td> <td>Enable 16-bit sync word transmission</td> </tr> <tr> <td>7 (111)</td> <td>Repeated sync word transmission</td> </tr> </tbody> </table> | Setting | Sync-word mode | 0 (000) | Disable preamble and sync word transmission | 1 (001) | Enable 16-bit sync word transmission | 2 (010) | Enable 16-bit sync word transmission | 3 (011) | Repeated sync word transmission | 4 (100) | Disable preamble and sync word transmission | 5 (101) | Enable 16-bit sync word transmission | 6 (110) | Enable 16-bit sync word transmission | 7 (111) | Repeated sync word transmission |
| Setting | Sync-word mode | | | | | | | | | | | | | | | | | | | | | |
| 0 (000) | Disable preamble and sync word transmission | | | | | | | | | | | | | | | | | | | | | |
| 1 (001) | Enable 16-bit sync word transmission | | | | | | | | | | | | | | | | | | | | | |
| 2 (010) | Enable 16-bit sync word transmission | | | | | | | | | | | | | | | | | | | | | |
| 3 (011) | Repeated sync word transmission | | | | | | | | | | | | | | | | | | | | | |
| 4 (100) | Disable preamble and sync word transmission | | | | | | | | | | | | | | | | | | | | | |
| 5 (101) | Enable 16-bit sync word transmission | | | | | | | | | | | | | | | | | | | | | |
| 6 (110) | Enable 16-bit sync word transmission | | | | | | | | | | | | | | | | | | | | | |
| 7 (111) | Repeated sync word transmission | | | | | | | | | | | | | | | | | | | | | |

0x13: MDMCFG1 – Modulator Configuration

| Bit | Field Name | Reset | R/W | Description | | | | | | | | | | | | | | | | | | |
|---------|--------------------------|---------|-----|---|---------|--------------------------|---------|---|---------|---|---------|---|---------|---|---------|---|---------|----|---------|----|---------|----|
| 7 | FEC_EN | 0 | R/W | Enable Forward Error Correction (FEC) with interleaving for packet payload 0 = Disable 1 = Enable | | | | | | | | | | | | | | | | | | |
| 6:4 | NUM_PREAMBLE[2:0] | 2 (010) | R/W | Sets the minimum number of preamble bytes to be transmitted <table border="1" data-bbox="766 560 1236 929"> <thead> <tr> <th>Setting</th> <th>Number of preamble bytes</th> </tr> </thead> <tbody> <tr><td>0 (000)</td><td>2</td></tr> <tr><td>1 (001)</td><td>3</td></tr> <tr><td>2 (010)</td><td>4</td></tr> <tr><td>3 (011)</td><td>6</td></tr> <tr><td>4 (100)</td><td>8</td></tr> <tr><td>5 (101)</td><td>12</td></tr> <tr><td>6 (110)</td><td>16</td></tr> <tr><td>7 (111)</td><td>24</td></tr> </tbody> </table> | Setting | Number of preamble bytes | 0 (000) | 2 | 1 (001) | 3 | 2 (010) | 4 | 3 (011) | 6 | 4 (100) | 8 | 5 (101) | 12 | 6 (110) | 16 | 7 (111) | 24 |
| Setting | Number of preamble bytes | | | | | | | | | | | | | | | | | | | | | |
| 0 (000) | 2 | | | | | | | | | | | | | | | | | | | | | |
| 1 (001) | 3 | | | | | | | | | | | | | | | | | | | | | |
| 2 (010) | 4 | | | | | | | | | | | | | | | | | | | | | |
| 3 (011) | 6 | | | | | | | | | | | | | | | | | | | | | |
| 4 (100) | 8 | | | | | | | | | | | | | | | | | | | | | |
| 5 (101) | 12 | | | | | | | | | | | | | | | | | | | | | |
| 6 (110) | 16 | | | | | | | | | | | | | | | | | | | | | |
| 7 (111) | 24 | | | | | | | | | | | | | | | | | | | | | |
| 3:2 | Reserved | | R0 | | | | | | | | | | | | | | | | | | | |
| 1:0 | CHANSPC_E[1:0] | 2 (10) | R/W | 2 bit exponent of channel spacing | | | | | | | | | | | | | | | | | | |

0x14: MDMCFG0 – Modulator Configuration

| Bit | Field Name | Reset | R/W | Description |
|-----|----------------|------------|-----|--|
| 7:0 | CHANSPC_M[7:0] | 248 (0xF8) | R/W | 8-bit mantissa of channel spacing (initial 1 assumed). The channel spacing is multiplied by the channel number CHAN and added to the base frequency. It is unsigned and has the format: $\Delta f_{CHANNEL} = \frac{f_{XOSC}}{2^{18}} \cdot (256 + CHANSPC_M) \cdot 2^{CHANSPC_E} \cdot CHAN$ The default values give 199.951 kHz channel spacing (the closest setting to 200 kHz), assuming 26.0 MHz crystal frequency. |

0x15: DEVIATN – Modulator Deviation Setting

| Bit | Field Name | Reset | R/W | Description |
|-----|------------------|---------|-----|--|
| 7 | Reserved | | R0 | |
| 6:4 | DEVIATION_E[2:0] | 4 (100) | R/W | Deviation exponent |
| 3 | Reserved | | R0 | |
| 2:0 | DEVIATION_M[2:0] | 7 (111) | R/W | <p>When MSK modulation is enabled:</p> <p>Sets fraction of symbol period used for phase change. Refer to the SmartRF® Studio software [4] for correct DEVIATN setting when using MSK.</p> <p>When 2-FSK/GFSK modulation is enabled:</p> <p>Deviation mantissa, interpreted as a 4-bit value with MSB implicit 1. The resulting deviation is given by:</p> $f_{dev} = \frac{f_{xosc}}{2^{17}} \cdot (8 + DEVIATION_M) \cdot 2^{DEVIATION_E}$ <p>The default values give ±47.607 kHz deviation, assuming 26.0 MHz crystal frequency.</p> |

0x17: MCSM1 – Main Radio Control State Machine Configuration

| Bit | Field Name | Reset | R/W | Description | | | | | | | | | | |
|---------|---|--------|-----|---|---------|--|--------|------|--------|--------|--------|-------------------------------------|--------|---|
| 7:6 | Reserved | | R0 | | | | | | | | | | | |
| 5:2 | Reserved | | R0 | Defined in the transceiver version | | | | | | | | | | |
| 1:0 | TXOFF_MODE[1:0] | 0 (00) | R/W | <p>Select what should happen when a packet has been sent (TX)</p> <table border="1"> <thead> <tr> <th>Setting</th> <th>Next state after finishing packet transmission</th> </tr> </thead> <tbody> <tr> <td>0 (00)</td> <td>IDLE</td> </tr> <tr> <td>1 (01)</td> <td>FSTXON</td> </tr> <tr> <td>2 (10)</td> <td>Stay in TX (start sending preamble)</td> </tr> <tr> <td>3 (11)</td> <td>Do not use, not implemented in <i>CC2550</i> (Go to RX)</td> </tr> </tbody> </table> | Setting | Next state after finishing packet transmission | 0 (00) | IDLE | 1 (01) | FSTXON | 2 (10) | Stay in TX (start sending preamble) | 3 (11) | Do not use, not implemented in <i>CC2550</i> (Go to RX) |
| Setting | Next state after finishing packet transmission | | | | | | | | | | | | | |
| 0 (00) | IDLE | | | | | | | | | | | | | |
| 1 (01) | FSTXON | | | | | | | | | | | | | |
| 2 (10) | Stay in TX (start sending preamble) | | | | | | | | | | | | | |
| 3 (11) | Do not use, not implemented in <i>CC2550</i> (Go to RX) | | | | | | | | | | | | | |

0x18: MCSM0 – Main Radio Control State Machine Configuration

| Bit | Field Name | Reset | R/W | Description | | | | | | | | | | | | | | | |
|---------|---|--------------------------|-----|---|---------|---------------------------------------|--------------------------|--|--------|--|--------|---------------------------------|--------------------|---|----|----------------------|--------|-----|----------------------|
| 7:6 | Reserved | | R0 | | | | | | | | | | | | | | | | |
| 5:4 | FS_AUTOCAL[1:0] | 0 (00) | R/W | <p>Automatically calibrate when going to TX or back to IDLE</p> <table border="1"> <thead> <tr> <th>Setting</th> <th>When to perform automatic calibration</th> </tr> </thead> <tbody> <tr> <td>0 (00)</td> <td>Never (manually calibrate using SCAL strobe)</td> </tr> <tr> <td>1 (01)</td> <td>When going from IDLE to TX (or FSTXON)</td> </tr> <tr> <td>2 (10)</td> <td>When going from TX back to IDLE</td> </tr> <tr> <td>3 (11)</td> <td>Every 4th time when going from TX to IDLE</td> </tr> </tbody> </table> | Setting | When to perform automatic calibration | 0 (00) | Never (manually calibrate using SCAL strobe) | 1 (01) | When going from IDLE to TX (or FSTXON) | 2 (10) | When going from TX back to IDLE | 3 (11) | Every 4 th time when going from TX to IDLE | | | | | |
| Setting | When to perform automatic calibration | | | | | | | | | | | | | | | | | | |
| 0 (00) | Never (manually calibrate using SCAL strobe) | | | | | | | | | | | | | | | | | | |
| 1 (01) | When going from IDLE to TX (or FSTXON) | | | | | | | | | | | | | | | | | | |
| 2 (10) | When going from TX back to IDLE | | | | | | | | | | | | | | | | | | |
| 3 (11) | Every 4 th time when going from TX to IDLE | | | | | | | | | | | | | | | | | | |
| 3:2 | PO_TIMEOUT | 2 (10) | R/W | <p>Programs the number of times the six-bit ripple counter must expire after XOSC has stabilized before CHP_RDYn goes low.</p> <p>If XOSC is on (stable) during power-down, PO_TIMEOUT should be set so that the regulated digital supply voltage has time to stabilize before CHP_RDYn goes low (PO_TIMEOUT=2 recommended). Typical start-up time for the voltage regulator is 50 us.</p> <p>If XOSC is off during power-down and the regulated digital supply voltage has sufficient time to stabilize while waiting for the crystal to be stable, PO_TIMEOUT can be set to 0. For robust operation it is recommended to use PO_TIMEOUT=2.</p> <table border="1"> <thead> <tr> <th>Setting</th> <th>Expire count</th> <th>Timeout after XOSC start</th> </tr> </thead> <tbody> <tr> <td>0 (00)</td> <td>1</td> <td>Approx. 2.3 – 2.4 μs</td> </tr> <tr> <td>1 (01)</td> <td>16</td> <td>Approx. 37 – 39 μs</td> </tr> <tr> <td>2 (10)</td> <td>64</td> <td>Approx. 149 – 155 μs</td> </tr> <tr> <td>3 (11)</td> <td>256</td> <td>Approx. 597 – 620 μs</td> </tr> </tbody> </table> <p>Exact timeout depends on crystal frequency.</p> <p>In order to reduce start up time from the SLEEP state, this field is preserved in powerdown (SLEEP state).</p> | Setting | Expire count | Timeout after XOSC start | 0 (00) | 1 | Approx. 2.3 – 2.4 μs | 1 (01) | 16 | Approx. 37 – 39 μs | 2 (10) | 64 | Approx. 149 – 155 μs | 3 (11) | 256 | Approx. 597 – 620 μs |
| Setting | Expire count | Timeout after XOSC start | | | | | | | | | | | | | | | | | |
| 0 (00) | 1 | Approx. 2.3 – 2.4 μs | | | | | | | | | | | | | | | | | |
| 1 (01) | 16 | Approx. 37 – 39 μs | | | | | | | | | | | | | | | | | |
| 2 (10) | 64 | Approx. 149 – 155 μs | | | | | | | | | | | | | | | | | |
| 3 (11) | 256 | Approx. 597 – 620 μs | | | | | | | | | | | | | | | | | |
| 1:0 | Reserved | | R0 | Defined in the transceiver version | | | | | | | | | | | | | | | |

0x22: FRENDO – Front End TX Configuration

| Bit | Field Name | Reset | R/W | Description |
|-----|---------------------------|---------|-----|---|
| 7:6 | Reserved | | R0 | |
| 5:4 | LODIV_BUF_CURRENT_TX[1:0] | 1 (01) | R/W | Adjusts current TX LO buffer (input to PA). The value to use in this field is given by the SmartRF® Studio software [4]. |
| 3 | Reserved | | R0 | |
| 2:0 | PA_POWER[2:0] | 0 (000) | R/W | Selects PA power setting. This value is an index to the PATABLE. In OOK mode, this selects the PATABLE index to use when transmitting a '1'. PATABLE index zero is used in OOK when transmitting a '0'. |

0x23: FSCAL3 – Frequency Synthesizer Calibration

| Bit | Field Name | Reset | R/W | Description |
|-----|----------------------|----------|-----|---|
| 7:6 | FSCAL3[7:6] | 2 (10) | R/W | Frequency synthesizer calibration configuration. The value to write in this register before calibration is given by the SmartRF® Studio software [4]. |
| 5:4 | CHP_CURR_CAL_EN[1:0] | 2 (10) | R/W | Disable charge pump calibration stage when 0 |
| 3:0 | FSCAL3[3:0] | 9 (1001) | R/W | Frequency synthesizer calibration result register. Digital bit vector defining the charge pump output current, on an exponential scale: $I_{OUT} = I_0 \cdot 2^{FSCAL3[3:0]/4}$ Fast frequency hopping without calibration for each hop can be done by calibrating upfront for each frequency and saving the resulting FSCAL3, FSCAL2 and FSCAL1 register values. Between each frequency hop, calibration can be replaced by writing the FSCAL3, FSCAL2 and FSCAL1 register values corresponding to the next RF frequency. |

0x24: FSCAL2 – Frequency Synthesizer Calibration

| Bit | Field Name | Reset | R/W | Description |
|-----|---------------|-----------|-----|--|
| 7:6 | Reserved | | R0 | |
| 5 | VCO_CORE_H_EN | 0 | R/W | Choose high (1) / low (0) VCO |
| 4:0 | FSCAL2[5:0] | 10 (0x0A) | R/W | Frequency synthesizer calibration result register. VCO current calibration result and override value Fast frequency hopping without calibration for each hop can be done by calibrating upfront for each frequency and saving the resulting FSCAL3, FSCAL2 and FSCAL1 register values. Between each frequency hop, calibration can be replaced by writing the FSCAL3, FSCAL2 and FSCAL1 register values corresponding to the next RF frequency. |

0x25: FSCAL1 – Frequency Synthesizer Calibration

| Bit | Field Name | Reset | R/W | Description |
|-----|-------------|-----------|-----|---|
| 7:6 | Reserved | | R0 | |
| 5:0 | FSCAL1[5:0] | 32 (0x20) | R/W | Frequency synthesizer calibration result register. Capacitor array setting for VCO coarse tuning. Fast frequency hopping without calibration for each hop can be done by calibrating upfront for each frequency and saving the resulting FSCAL3, FSCAL2 and FSCAL1 register values. Between each frequency hop, calibration can be replaced by writing the FSCAL3, FSCAL2 and FSCAL1 register values corresponding to the next RF frequency. |

0x26: FSCAL0 – Frequency Synthesizer Calibration

| Bit | Field Name | Reset | R/W | Description |
|-----|-------------|-----------|-----|---|
| 7 | Reserved | | R0 | |
| 6:5 | Reserved | 0 (00) | R0 | Defined in the transceiver version |
| 4:0 | FSCAL0[4:0] | 13 (0x0D) | R/W | Frequency synthesizer calibration control. The value to use in register field is given by the SmartRF® Studio software [4]. |

0x29: FSTEST – Frequency Synthesizer Calibration Control

| Bit | Field Name | Reset | R/W | Description |
|-----|-------------|--------------|-----|---|
| 7:0 | FSTEST[7:0] | 87 (0x57) | R/W | For test only. Do not write to this register. |

0x2A: PTEST – Production Test

| Bit | Field Name | Reset | R/W | Description |
|-----|------------|---------------|-----|--|
| 7 | PTEST[7:0] | 127 (0x7F) | R/W | Writing 0xBF to this register makes the on-chip temperature sensor available in the IDLE state. The default 0x7F value should then be written back before leaving the IDLE state. Other use of this register is for test only. |

0x2C: TEST2 – Various Test Settings

| Bit | Field Name | Reset | R/W | Description |
|-----|------------|---------------|-----|---|
| 7:0 | TEST2[7:0] | 152 (0x98) | R/W | The value to use in this register is given by the SmartRF® Studio software [4]. |

0x2D: TEST1 – Various Test Settings

| Bit | Field Name | Reset | R/W | Description |
|-----|------------|-----------|-----|---|
| 7:0 | TEST1[7:0] | 49 (0x31) | R/W | The value to use in this register is given by the SmartRF® Studio software [4]. |

0x2E: TEST0 – Various Test Settings

| Bit | Field Name | Reset | R/W | Description |
|-----|----------------|----------|-----|---|
| 7:2 | TEST0[7:2] | 2 (0x02) | R/W | The value to use in this register is given by the SmartRF® Studio software [4]. |
| 1 | VCO_SEL_CAL_EN | 1 | R/W | Enable VCO selection calibration stage when 1 |
| 0 | TEST0[0] | 1 | R/W | The value to use in this register is given by the SmartRF® Studio software [4]. |

28.2 Status Register Details

0x30 (0xF0): PARTNUM – Chip ID

| Bit | Field Name | Reset | R/W | Description |
|-----|--------------|------------|-----|------------------|
| 7:0 | PARTNUM[7:0] | 130 (0x82) | R | Chip part number |

0x31 (0xF1): VERSION – Chip ID

| Bit | Field Name | Reset | R/W | Description |
|-----|--------------|----------|-----|---------------------|
| 7:0 | VERSION[7:0] | 2 (0x02) | R | Chip version number |

0x35 (0xF5): MARCSTATE – Main Radio Control State Machine State

| Bit | Field Name | Reset | R/W | Description | | | | | | | | | | | | | | | | | | | | | | | | | | | | | | | | | | | | | | | | | | | | | | | | | | | | | | | | | | | | | | | | | | | | | | | | |
|-----------|-----------------|----------------------------|-----|---|-------|------------|----------------------------|----------|-------|-------|----------|------|------|----------|------|------|----------|----------|--------|----------|----------|--------|----------|--------|--------|----------|-------|-----------|----------|-------|-----------|----------|----------|-----------|----------|---------|----------|-----------|---------|----------|-----------|---------|----------|-----------|--------|-----------|-----------|----|----|-----------|----|----|-----------|----|----|-----------|----|----|-----------|----|----|-----------|--------|--------|-----------|----|----|-----------|--------|----|-----------|----|----|-----------|--------------|--------------|
| 7:5 | Reserved | | R0 | | | | | | | | | | | | | | | | | | | | | | | | | | | | | | | | | | | | | | | | | | | | | | | | | | | | | | | | | | | | | | | | | | | | | | | | | |
| 4:0 | MARC_STATE[4:0] | | R | <p>Main Radio Control FSM State</p> <table border="1"> <thead> <tr> <th>Value</th> <th>State name</th> <th>State (Figure 13, page 25)</th> </tr> </thead> <tbody> <tr><td>0 (0x00)</td><td>SLEEP</td><td>SLEEP</td></tr> <tr><td>1 (0x01)</td><td>IDLE</td><td>IDLE</td></tr> <tr><td>2 (0x02)</td><td>XOFF</td><td>XOFF</td></tr> <tr><td>3 (0x03)</td><td>VCOON_MC</td><td>MANCAL</td></tr> <tr><td>4 (0x04)</td><td>REGON_MC</td><td>MANCAL</td></tr> <tr><td>5 (0x05)</td><td>MANCAL</td><td>MANCAL</td></tr> <tr><td>6 (0x06)</td><td>VCOON</td><td>FS_WAKEUP</td></tr> <tr><td>7 (0x07)</td><td>REGON</td><td>FS_WAKEUP</td></tr> <tr><td>8 (0x08)</td><td>STARTCAL</td><td>CALIBRATE</td></tr> <tr><td>9 (0x09)</td><td>BWBOOST</td><td>SETTLING</td></tr> <tr><td>10 (0x0A)</td><td>FS_LOCK</td><td>SETTLING</td></tr> <tr><td>11 (0x0B)</td><td>IFADCON</td><td>SETTLING</td></tr> <tr><td>12 (0x0C)</td><td>ENDCAL</td><td>CALIBRATE</td></tr> <tr><td>13 (0x0D)</td><td>NA</td><td>NA</td></tr> <tr><td>14 (0x0E)</td><td>NA</td><td>NA</td></tr> <tr><td>15 (0x0F)</td><td>NA</td><td>NA</td></tr> <tr><td>16 (0x10)</td><td>NA</td><td>NA</td></tr> <tr><td>17 (0x11)</td><td>NA</td><td>NA</td></tr> <tr><td>18 (0x12)</td><td>FSTXON</td><td>FSTXON</td></tr> <tr><td>19 (0x13)</td><td>TX</td><td>TX</td></tr> <tr><td>20 (0x14)</td><td>TX_END</td><td>TX</td></tr> <tr><td>21 (0x15)</td><td>NA</td><td>NA</td></tr> <tr><td>22 (0x16)</td><td>TX_UNDERFLOW</td><td>TX_UNDERFLOW</td></tr> </tbody> </table> <p>Note: it is not possible to read back the SLEEP or XOFF state numbers because setting CSn low will make the chip enter the IDLE mode from the SLEEP or XOFF states.</p> | Value | State name | State (Figure 13, page 25) | 0 (0x00) | SLEEP | SLEEP | 1 (0x01) | IDLE | IDLE | 2 (0x02) | XOFF | XOFF | 3 (0x03) | VCOON_MC | MANCAL | 4 (0x04) | REGON_MC | MANCAL | 5 (0x05) | MANCAL | MANCAL | 6 (0x06) | VCOON | FS_WAKEUP | 7 (0x07) | REGON | FS_WAKEUP | 8 (0x08) | STARTCAL | CALIBRATE | 9 (0x09) | BWBOOST | SETTLING | 10 (0x0A) | FS_LOCK | SETTLING | 11 (0x0B) | IFADCON | SETTLING | 12 (0x0C) | ENDCAL | CALIBRATE | 13 (0x0D) | NA | NA | 14 (0x0E) | NA | NA | 15 (0x0F) | NA | NA | 16 (0x10) | NA | NA | 17 (0x11) | NA | NA | 18 (0x12) | FSTXON | FSTXON | 19 (0x13) | TX | TX | 20 (0x14) | TX_END | TX | 21 (0x15) | NA | NA | 22 (0x16) | TX_UNDERFLOW | TX_UNDERFLOW |
| Value | State name | State (Figure 13, page 25) | | | | | | | | | | | | | | | | | | | | | | | | | | | | | | | | | | | | | | | | | | | | | | | | | | | | | | | | | | | | | | | | | | | | | | | | | | |
| 0 (0x00) | SLEEP | SLEEP | | | | | | | | | | | | | | | | | | | | | | | | | | | | | | | | | | | | | | | | | | | | | | | | | | | | | | | | | | | | | | | | | | | | | | | | | | |
| 1 (0x01) | IDLE | IDLE | | | | | | | | | | | | | | | | | | | | | | | | | | | | | | | | | | | | | | | | | | | | | | | | | | | | | | | | | | | | | | | | | | | | | | | | | | |
| 2 (0x02) | XOFF | XOFF | | | | | | | | | | | | | | | | | | | | | | | | | | | | | | | | | | | | | | | | | | | | | | | | | | | | | | | | | | | | | | | | | | | | | | | | | | |
| 3 (0x03) | VCOON_MC | MANCAL | | | | | | | | | | | | | | | | | | | | | | | | | | | | | | | | | | | | | | | | | | | | | | | | | | | | | | | | | | | | | | | | | | | | | | | | | | |
| 4 (0x04) | REGON_MC | MANCAL | | | | | | | | | | | | | | | | | | | | | | | | | | | | | | | | | | | | | | | | | | | | | | | | | | | | | | | | | | | | | | | | | | | | | | | | | | |
| 5 (0x05) | MANCAL | MANCAL | | | | | | | | | | | | | | | | | | | | | | | | | | | | | | | | | | | | | | | | | | | | | | | | | | | | | | | | | | | | | | | | | | | | | | | | | | |
| 6 (0x06) | VCOON | FS_WAKEUP | | | | | | | | | | | | | | | | | | | | | | | | | | | | | | | | | | | | | | | | | | | | | | | | | | | | | | | | | | | | | | | | | | | | | | | | | | |
| 7 (0x07) | REGON | FS_WAKEUP | | | | | | | | | | | | | | | | | | | | | | | | | | | | | | | | | | | | | | | | | | | | | | | | | | | | | | | | | | | | | | | | | | | | | | | | | | |
| 8 (0x08) | STARTCAL | CALIBRATE | | | | | | | | | | | | | | | | | | | | | | | | | | | | | | | | | | | | | | | | | | | | | | | | | | | | | | | | | | | | | | | | | | | | | | | | | | |
| 9 (0x09) | BWBOOST | SETTLING | | | | | | | | | | | | | | | | | | | | | | | | | | | | | | | | | | | | | | | | | | | | | | | | | | | | | | | | | | | | | | | | | | | | | | | | | | |
| 10 (0x0A) | FS_LOCK | SETTLING | | | | | | | | | | | | | | | | | | | | | | | | | | | | | | | | | | | | | | | | | | | | | | | | | | | | | | | | | | | | | | | | | | | | | | | | | | |
| 11 (0x0B) | IFADCON | SETTLING | | | | | | | | | | | | | | | | | | | | | | | | | | | | | | | | | | | | | | | | | | | | | | | | | | | | | | | | | | | | | | | | | | | | | | | | | | |
| 12 (0x0C) | ENDCAL | CALIBRATE | | | | | | | | | | | | | | | | | | | | | | | | | | | | | | | | | | | | | | | | | | | | | | | | | | | | | | | | | | | | | | | | | | | | | | | | | | |
| 13 (0x0D) | NA | NA | | | | | | | | | | | | | | | | | | | | | | | | | | | | | | | | | | | | | | | | | | | | | | | | | | | | | | | | | | | | | | | | | | | | | | | | | | |
| 14 (0x0E) | NA | NA | | | | | | | | | | | | | | | | | | | | | | | | | | | | | | | | | | | | | | | | | | | | | | | | | | | | | | | | | | | | | | | | | | | | | | | | | | |
| 15 (0x0F) | NA | NA | | | | | | | | | | | | | | | | | | | | | | | | | | | | | | | | | | | | | | | | | | | | | | | | | | | | | | | | | | | | | | | | | | | | | | | | | | |
| 16 (0x10) | NA | NA | | | | | | | | | | | | | | | | | | | | | | | | | | | | | | | | | | | | | | | | | | | | | | | | | | | | | | | | | | | | | | | | | | | | | | | | | | |
| 17 (0x11) | NA | NA | | | | | | | | | | | | | | | | | | | | | | | | | | | | | | | | | | | | | | | | | | | | | | | | | | | | | | | | | | | | | | | | | | | | | | | | | | |
| 18 (0x12) | FSTXON | FSTXON | | | | | | | | | | | | | | | | | | | | | | | | | | | | | | | | | | | | | | | | | | | | | | | | | | | | | | | | | | | | | | | | | | | | | | | | | | |
| 19 (0x13) | TX | TX | | | | | | | | | | | | | | | | | | | | | | | | | | | | | | | | | | | | | | | | | | | | | | | | | | | | | | | | | | | | | | | | | | | | | | | | | | |
| 20 (0x14) | TX_END | TX | | | | | | | | | | | | | | | | | | | | | | | | | | | | | | | | | | | | | | | | | | | | | | | | | | | | | | | | | | | | | | | | | | | | | | | | | | |
| 21 (0x15) | NA | NA | | | | | | | | | | | | | | | | | | | | | | | | | | | | | | | | | | | | | | | | | | | | | | | | | | | | | | | | | | | | | | | | | | | | | | | | | | |
| 22 (0x16) | TX_UNDERFLOW | TX_UNDERFLOW | | | | | | | | | | | | | | | | | | | | | | | | | | | | | | | | | | | | | | | | | | | | | | | | | | | | | | | | | | | | | | | | | | | | | | | | | | |

0x38 (0xF8): PKTSTATUS – Current GDOx Status and Packet Status

| Bit | Field Name | Reset | R/W | Description |
|-----|------------|-------|-----|---|
| 7:2 | Reserved | | R0 | Defined in the transceiver version |
| 1 | Reserved | | R0 | |
| 0 | GDO0 | | R | <p>Current GDO0 value. Note: the reading gives the non-inverted value irrespective what IOCFG0.GDO0_INV is programmed to. It is not recommended to check for PLL lock by reading PKTSTATUS[0] with GDO0_CFG = 0x0A.</p> |

0x39 (0xF9): VCO_VC_DAC – Current Setting from PLL Calibration Module

| Bit | Field Name | Reset | R/W | Description |
|-----|-----------------|-------|-----|-------------------------------|
| 7:0 | VCO_VC_DAC[7:0] | | R | Status register for test only |

0x3A (0xFA): TXBYTES – Underflow and Number of Bytes

| Bit | Field Name | Reset | R/W | Description |
|-----|------------------|-------|-----|----------------------------|
| 7 | TXFIFO_UNDERFLOW | | R | |
| 6:0 | NUM_TXBYTES | | R | Number of bytes in TX FIFO |

29 Package Description (QLP 16)

All dimensions are in millimetres, angles in degrees. NOTE: The *CC2550* is available in RoHS lead-free package only.

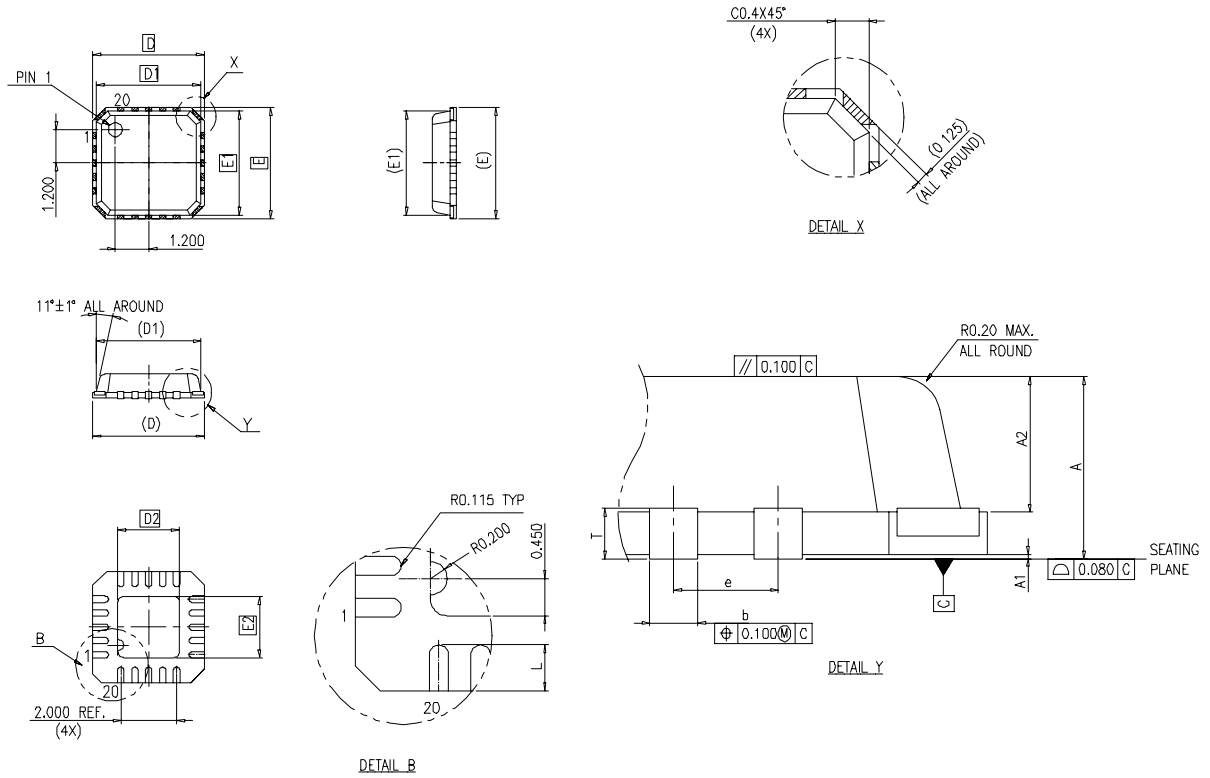


Figure 23: Package Dimensions Drawing (the actual package has 16 pins)

| Package type | | A | A1 | A2 | D | D1 | D2 | E | E1 | E2 | L | T | b | e |
|--------------|------|------|-------|------|------|------|------|------|------|------|------|-------|------|------|
| QLP 16 (4x4) | Min | 0.75 | 0.005 | 0.55 | 3.90 | 3.65 | | 3.90 | 3.65 | | 0.45 | 0.190 | 0.23 | |
| | Typ. | 0.85 | 0.025 | 0.65 | 4.00 | 3.75 | 2.30 | 4.00 | 3.75 | 2.30 | 0.55 | | 0.28 | 0.65 |
| | Max | 0.95 | 0.045 | 0.75 | 4.10 | 3.85 | | 4.10 | 3.85 | | 0.65 | 0.245 | 0.35 | |

Table 27: Package Dimensions

29.1 Recommended PCB Layout for Package (QLP 16)

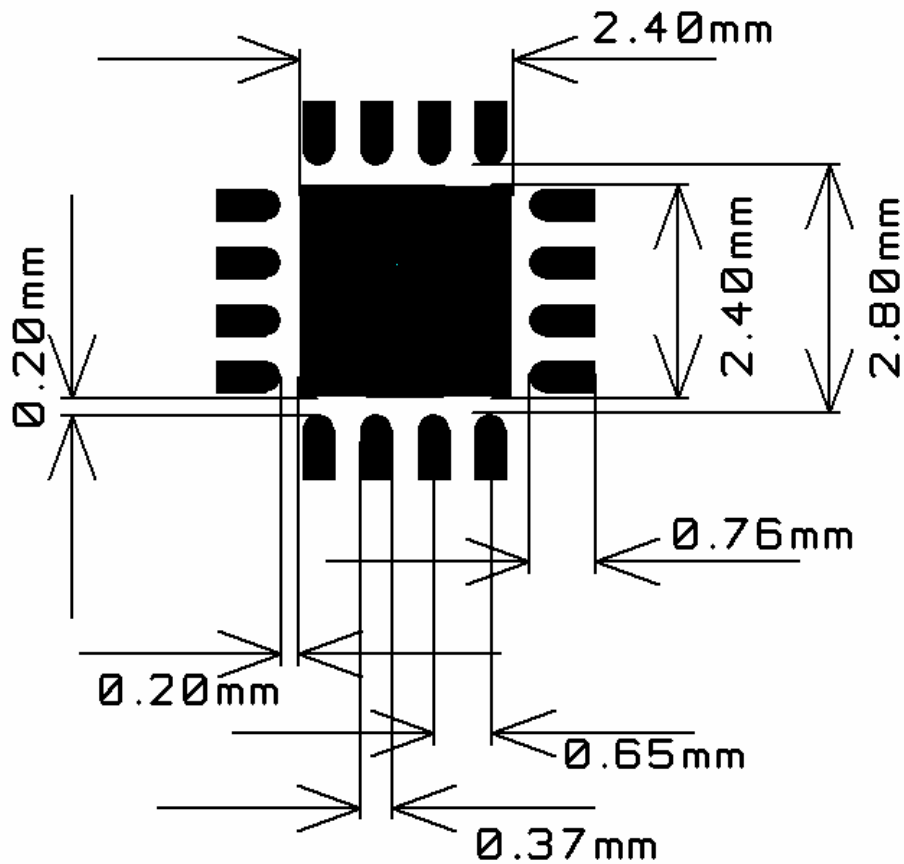


Figure 24: Recommended PCB layout for QLP 16 package

Note: The figure is an illustration only and not to scale. There are five 10 mil diameter via holes distributed symmetrically in the ground pad under the package. See also the CC2550EM reference design [3].

29.2 Package Thermal Properties

| Thermal Resistance | |
|--------------------|------|
| Air velocity [m/s] | 0 |
| Rth,j-a [K/W] | 40.1 |

Table 28: Thermal Properties of QLP 16 Package

29.3 Soldering Information

The recommendations for lead-free reflow in IPC/JEDEC J-STD-020D should be followed.

29.4 Tray Specification

CC2550 can be delivered in standard QLP 4x4 mm shipping trays.

| Tray Specification | | | | |
|--------------------|------------|-------------|-------------|----------------|
| Package | Tray Width | Tray Height | Tray Length | Units per Tray |
| QLP 16 | 135.9 mm | 7.62 mm | 322.6 mm | 490 |

Table 29: Tray Specification

29.5 Carrier Tape and Reel Specification

Carrier tape and reel is in accordance with EIA Specification 481.

| Tape and Reel Specification | | | | | |
|-----------------------------|------------|-----------------|------------|---------------|----------------|
| Package | Tape Width | Component Pitch | Hole Pitch | Reel Diameter | Units per Reel |
| QLP 16 | 12 mm | 8 mm | 4 mm | 13 inches | 2500 |

Table 30: Carrier Tape and Reel Specification

30 Ordering Information

| Part Number | Description | Minimum Order Quantity (MOQ) |
|-----------------|------------------------------------|------------------------------|
| CC2550RTK | CC2550 QLP16 RoHS Pb-free 490/tray | 490 (tray) |
| CC2550RTKR | CC2550 QLP16 RoHS Pb-free 2500/T&R | 2500 (tape and reel) |
| CC2500-CC2550DK | CC2500_CC2550 Development Kit | 1 |
| CC2550EMK | CC2500 Evaluation Module Kit | 1 |

Table 31: Ordering Information

31 References

- [1] CC2550 Errata Notes (swrz011.pdf)
- [2] AN032 2.4 GHz Regulations (swra060.pdf)
- [3] CC2550EM Reference Design 1.0 (swrr015.zip)
- [4] SmartRF® Studio (swrc046.zip)
- [5] CC1100 CC2500 Examples Libraries (swrc021.zip)
- [6] CC1100/CC1150DK & CC2500/CC2550DK Development Kit Examples & Libraries User Manual (swru109.pdf)
- [7] CC25XX Folded Dipole Reference Design (swrc065.zip)
- [8] DN004 Folded Dipole Antenna for CCC25xx (swra118.pdf)
- [9] CC2500 Data Sheet (cc2500.pdf)

32 General Information

32.1 Document History

| Revision | Date | Description/Changes |
|-----------------|------------|---|
| SWRS039B | 2007-09-30 | <p>kbps replaced by kBaud throughout the document.</p> <p>Some of the sections have been re-written to be easier to read without having any new info added.</p> <p>Absolute maximum supply voltage rating increased from 3.6 V to 3.9 V.</p> <p>FSK changed to 2-FSK throughout the document.</p> <p>Updates to the Abbreviation table.</p> <p>Updates to the Electrical Specifications section. Added ACP and OBW performance.</p> <p>Added info about TX latency in serial mode.</p> <p>Added info about default values after reset versus optimum register settings in the Configuration Software section.</p> <p>Changes to the SPI Interface Timing Requirements. Info added about $t_{sp,pd}$</p> <p>The following figures have been changed: Configuration Registers Write and Read Operations, SRES Command Strobe, and Register Access Types.</p> <p>In the Register Access section, the address range is changed.</p> <p>Changes to PATABLE Access section.</p> <p>In the Packet Format section, preamble pattern is changed to 10101010 and info about bug related to turning off the transmitter in infinite packet length mode is added.</p> <p>Added info about the initial value of the PN9 sequence in the Data Whitening section.</p> <p>Added info about TX FIFO underflow state in the Packet Handling in Transmit Mode section.</p> <p>Added section Packet Handling in Firmware.</p> <p>Removed all references to the voltage regulator in relation with the CHP_RDYn signal, as this signal is only related to the crystal.</p> <p>Removed references to the voltage regulator in the figures: Power-On Reset and Power-On Reset with SRES. Changes to the SI line in the Power-On Reset with SRES figure.</p> <p>Added info on the three automatic calibration options.</p> <p>The Output Power Programming section has been changed. Only 1 PATABLE entry used for 2-FSK/GFSK/MSK and 2 PATABLE entries used for OOK. Added info about PATABLE when entering SLEEP mode. New PA_POWER and PATABLE figure.</p> <p>Added section on PCB Layout Recommendations.</p> <p>In section General Purpose / Test Output Control Pins: Added info on GDO pins in SLEEP state.</p> <p>Asynchronous transparent mode is called asynchronous serial mode throughout the document.</p> <p>Removed comments about having to use NRZ coding in synchronous serial mode.</p> <p>Added info that Manchester encoding cannot be used in asynchronous serial mode.</p> <p>Changed field name and/or description of the following registers: MCSM0, FSCAL3, FSCAL2, FSCAL1 and TEST0.</p> <p>Added references.</p> |
| 1.2 SWRS039A | 2006-06-28 | <p>Added figures to table on SPI interface timing requirements.</p> <p>Added information about SPI read.</p> <p>Updates to text and included new figure in section on arbitrary length configuration.</p> <p>Added information that RF frequencies at $n/2$-crystal frequency (n is an integer number) should not be used due to spurious signals at these frequencies .</p> <p>Updates to text and included new figures in section on power-on start-up sequence.</p> <p>Added information about how to check for PLL lock in section on VCO.</p> <p>Better explanation of some of the signals in table of GDO signal selection.</p> <p>Added section on wideband modulation not using spread spectrum under section on system considerations and guidelines.</p> <p>Added more detailed information on PO_TIMEOUT in register MCSM0.</p> <p>Changes to ordering information.</p> |
| 1.1 | 2005-06-27 | <p>Updated TEST1 register default value. 26-27 MHz crystal range. Added matching information. Added information about using a reference signal instead of a crystal.</p> |
| 1.0 | 2005-01-24 | <p>First preliminary data sheet release.</p> |

Table 32: Document History

32.2 Product Status Definitions

| Data Sheet Identification | Product Status | Definition |
|----------------------------------|---|---|
| Advance Information | Planned or Under Development | This data sheet contains the design specifications for product development. Specifications may change in any manner without notice. |
| Preliminary | Engineering Samples and Pre-Production Prototypes | This data sheet contains preliminary data, and supplementary data will be published at a later date. Chipcon reserves the right to make changes at any time without notice in order to improve design and supply the best possible product. The product is not yet fully qualified at this point. |
| No Identification Noted | Full Production | This data sheet contains the final specifications. Chipcon reserves the right to make changes at any time without notice in order to improve design and supply the best possible product. |
| Obsolete | Not In Production | This data sheet contains specifications on a product that has been discontinued by Chipcon. The data sheet is printed for reference information only. |

Table 33: Product Status Definitions

33 Address Information

Texas Instruments Norway AS
 Gaustadalléen 21
 N-0349 Oslo
 NORWAY
 Tel: +47 22 95 85 44
 Fax: +47 22 95 85 46
 Web site: <http://www.ti.com/lpw>

34 TI Worldwide Technical Support**Internet**

TI Semiconductor Product Information Center Home Page: support.ti.com
 TI Semiconductor KnowledgeBase Home Page: support.ti.com/sc/knowledgebase

Product Information Centers**Americas**

Phone: +1(972) 644-5580
Fax: +1(972) 927-6377
Internet/Email: support.ti.com/sc/pic/americas.htm

Europe, Middle East and Africa

Phone:
 Belgium (English) +32 (0) 27 45 54 32
 Finland (English) +358 (0) 9 25173948
 France +33 (0) 1 30 70 11 64
 Germany +49 (0) 8161 80 33 11
 Israel (English) 180 949 0107
 Italy 800 79 11 37
 Netherlands (English) +31 (0) 546 87 95 45
 Russia +7 (0) 95 98 10 701
 Spain +34 902 35 40 28
 Sweden (English) +46 (0) 8587 555 22
 United Kingdom +44 (0) 1604 66 33 99
Fax: +49 (0) 8161 80 2045
Internet: support.ti.com/sc/pic/euro.htm

Japan

Fax International +81-3-3344-5317
 Domestic 0120-81-0036
Internet/Email International support.ti.com/sc/pic/japan.htm
 Domestic www.tij.co.jp/pic

Asia

Phone

| | |
|---------------|-------------------------|
| International | +886-2-23786800 |
| Domestic | <u>Toll-Free Number</u> |
| Australia | 1-800-999-084 |
| China | 800-820-8682 |
| Hong Kong | 800-96-5941 |
| India | +91-80-51381665 (Toll) |
| Indonesia | 001-803-8861-1006 |
| Korea | 080-551-2804 |
| Malaysia | 1-800-80-3973 |
| New Zealand | 0800-446-934 |
| Philippines | 1-800-765-7404 |
| Singapore | 800-886-1028 |
| Taiwan | 0800-006800 |
| Thailand | 001-800-886-0010 |

Fax

+886-2-2378-6808

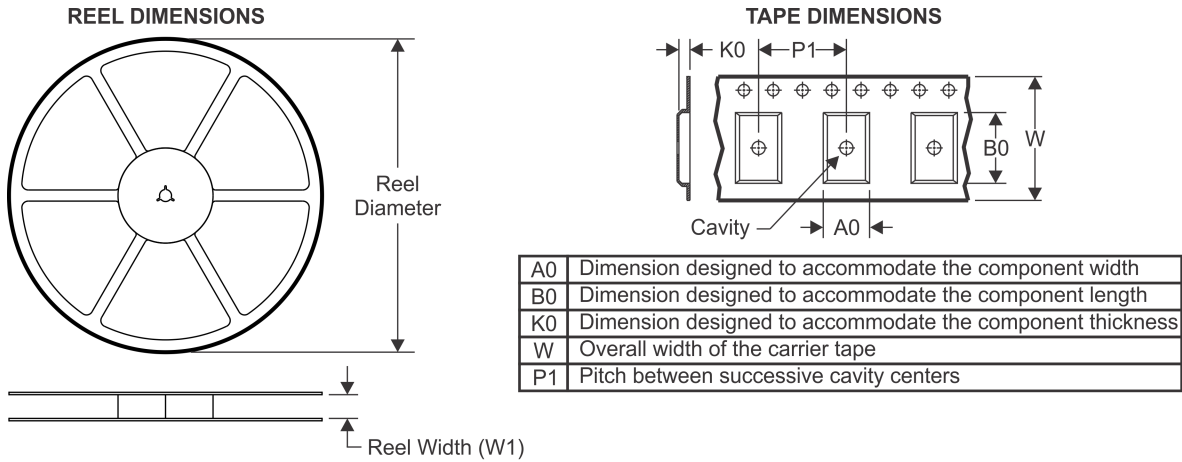
Email

tiasia@ti.com or ti-china@ti.com

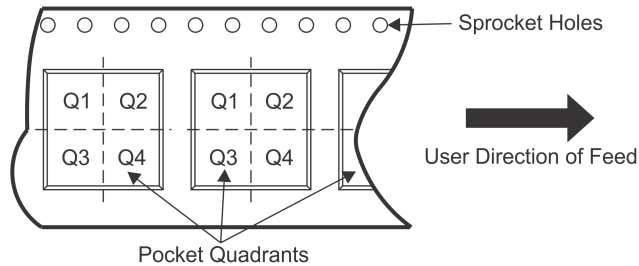
Internet

support.ti.com/sc/pic/asia.htm

TAPE AND REEL INFORMATION



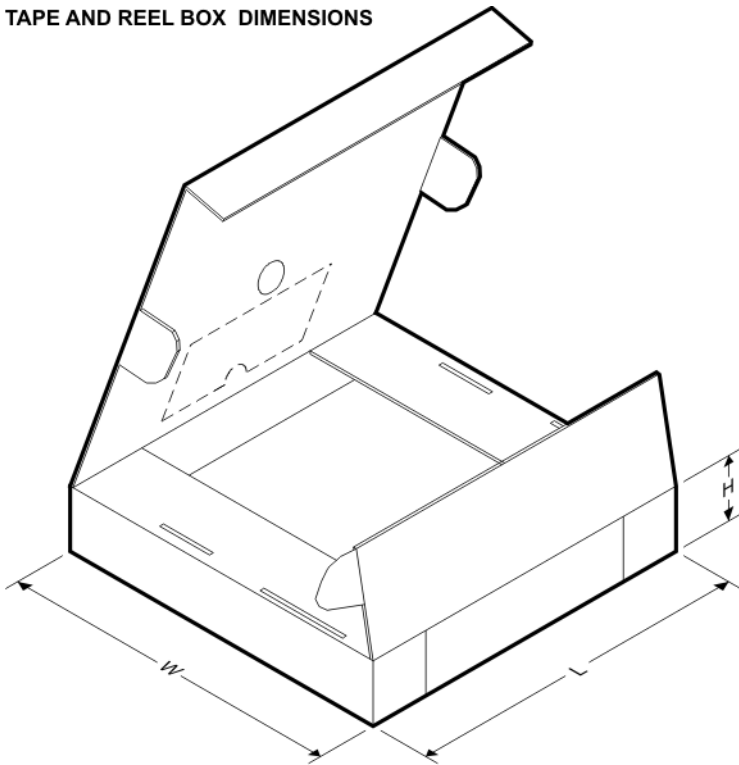
QUADRANT ASSIGNMENTS FOR PIN 1 ORIENTATION IN TAPE



*All dimensions are nominal

| Device | Package Type | Package Drawing | Pins | SPQ | Reel Diameter (mm) | Reel Width W1 (mm) | A0 (mm) | B0 (mm) | K0 (mm) | P1 (mm) | W (mm) | Pin1 Quadrant |
|------------|--------------|-----------------|------|------|--------------------|--------------------|---------|---------|---------|---------|--------|---------------|
| CC2550RSTR | VQFN | RST | 16 | 2500 | 330.0 | 12.4 | 4.25 | 4.25 | 1.0 | 8.0 | 12.0 | Q2 |

TAPE AND REEL BOX DIMENSIONS



*All dimensions are nominal

| Device | Package Type | Package Drawing | Pins | SPQ | Length (mm) | Width (mm) | Height (mm) |
|------------|--------------|-----------------|------|------|-------------|------------|-------------|
| CC2550RSTR | VQFN | RST | 16 | 2500 | 378.0 | 70.0 | 346.0 |

IMPORTANT NOTICE

Texas Instruments Incorporated and its subsidiaries (TI) reserve the right to make corrections, enhancements, improvements and other changes to its semiconductor products and services per JESD46, latest issue, and to discontinue any product or service per JESD48, latest issue. Buyers should obtain the latest relevant information before placing orders and should verify that such information is current and complete. All semiconductor products (also referred to herein as "components") are sold subject to TI's terms and conditions of sale supplied at the time of order acknowledgment.

TI warrants performance of its components to the specifications applicable at the time of sale, in accordance with the warranty in TI's terms and conditions of sale of semiconductor products. Testing and other quality control techniques are used to the extent TI deems necessary to support this warranty. Except where mandated by applicable law, testing of all parameters of each component is not necessarily performed.

TI assumes no liability for applications assistance or the design of Buyers' products. Buyers are responsible for their products and applications using TI components. To minimize the risks associated with Buyers' products and applications, Buyers should provide adequate design and operating safeguards.

TI does not warrant or represent that any license, either express or implied, is granted under any patent right, copyright, mask work right, or other intellectual property right relating to any combination, machine, or process in which TI components or services are used. Information published by TI regarding third-party products or services does not constitute a license to use such products or services or a warranty or endorsement thereof. Use of such information may require a license from a third party under the patents or other intellectual property of the third party, or a license from TI under the patents or other intellectual property of TI.

Reproduction of significant portions of TI information in TI data books or data sheets is permissible only if reproduction is without alteration and is accompanied by all associated warranties, conditions, limitations, and notices. TI is not responsible or liable for such altered documentation. Information of third parties may be subject to additional restrictions.

Resale of TI components or services with statements different from or beyond the parameters stated by TI for that component or service voids all express and any implied warranties for the associated TI component or service and is an unfair and deceptive business practice. TI is not responsible or liable for any such statements.

Buyer acknowledges and agrees that it is solely responsible for compliance with all legal, regulatory and safety-related requirements concerning its products, and any use of TI components in its applications, notwithstanding any applications-related information or support that may be provided by TI. Buyer represents and agrees that it has all the necessary expertise to create and implement safeguards which anticipate dangerous consequences of failures, monitor failures and their consequences, lessen the likelihood of failures that might cause harm and take appropriate remedial actions. Buyer will fully indemnify TI and its representatives against any damages arising out of the use of any TI components in safety-critical applications.

In some cases, TI components may be promoted specifically to facilitate safety-related applications. With such components, TI's goal is to help enable customers to design and create their own end-product solutions that meet applicable functional safety standards and requirements. Nonetheless, such components are subject to these terms.

No TI components are authorized for use in FDA Class III (or similar life-critical medical equipment) unless authorized officers of the parties have executed a special agreement specifically governing such use.

Only those TI components which TI has specifically designated as military grade or "enhanced plastic" are designed and intended for use in military/aerospace applications or environments. Buyer acknowledges and agrees that any military or aerospace use of TI components which have **not** been so designated is solely at the Buyer's risk, and that Buyer is solely responsible for compliance with all legal and regulatory requirements in connection with such use.

TI has specifically designated certain components as meeting ISO/TS16949 requirements, mainly for automotive use. In any case of use of non-designated products, TI will not be responsible for any failure to meet ISO/TS16949.

Products

| | |
|------------------------------|--|
| Audio | www.ti.com/audio |
| Amplifiers | amplifier.ti.com |
| Data Converters | dataconverter.ti.com |
| DLP® Products | www.dlp.com |
| DSP | dsp.ti.com |
| Clocks and Timers | www.ti.com/clocks |
| Interface | interface.ti.com |
| Logic | logic.ti.com |
| Power Mgmt | power.ti.com |
| Microcontrollers | microcontroller.ti.com |
| RFID | www.ti-rfid.com |
| OMAP Applications Processors | www.ti.com/omap |
| Wireless Connectivity | www.ti.com/wirelessconnectivity |

Applications

| | |
|-------------------------------|--|
| Automotive and Transportation | www.ti.com/automotive |
| Communications and Telecom | www.ti.com/communications |
| Computers and Peripherals | www.ti.com/computers |
| Consumer Electronics | www.ti.com/consumer-apps |
| Energy and Lighting | www.ti.com/energy |
| Industrial | www.ti.com/industrial |
| Medical | www.ti.com/medical |
| Security | www.ti.com/security |
| Space, Avionics and Defense | www.ti.com/space-avionics-defense |
| Video and Imaging | www.ti.com/video |

TI E2E Community





e2e.ti.com

Looking for pricing, stock, or lifecycle information?

Click below to explore more details on WIN SOURCE:

-  [View CC2550-RTR1 on WIN SOURCE](#)
-  [Texas Instruments](#) Information

Optimize Your Supply Chain with WIN SOURCE Solutions

-  Global Sourcing Solution
-  Obsolete Management
-  Cost Control Management
-  Shortage Management
-  Alternative Solution
-  Excess Inventory Management