



THE DATASHEET OF IRS2526DSPBF



Features

- 600V half-bridge high- and low-side gate driver
- Integrated programmable oscillator
- 15.6V voltage clamp on VCC
- Micro-power startup current
- Programmable preheat frequency
- Programmable preheat time
- Programmable run frequency
- Internal frequency dither for EMI reduction
- EOL window comparator and timer
- Fixed dead-time
- Ignition voltage or current limitation
- Integrated non-ZVS protection
- Integrated RDSon over-current protection
- Integrated bootstrap MOSFET
- Excellent latch immunity on all inputs & outputs
- Integrated ESD protection on all pins

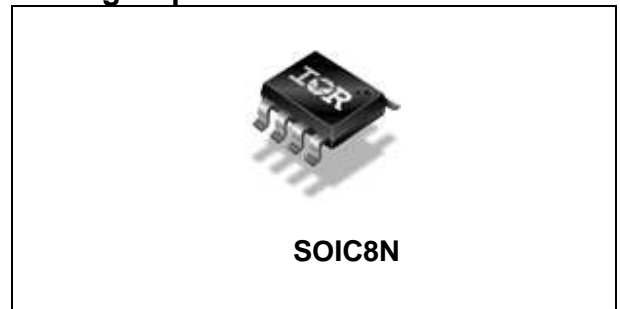
Typical Application

- Fluorescent Ballast

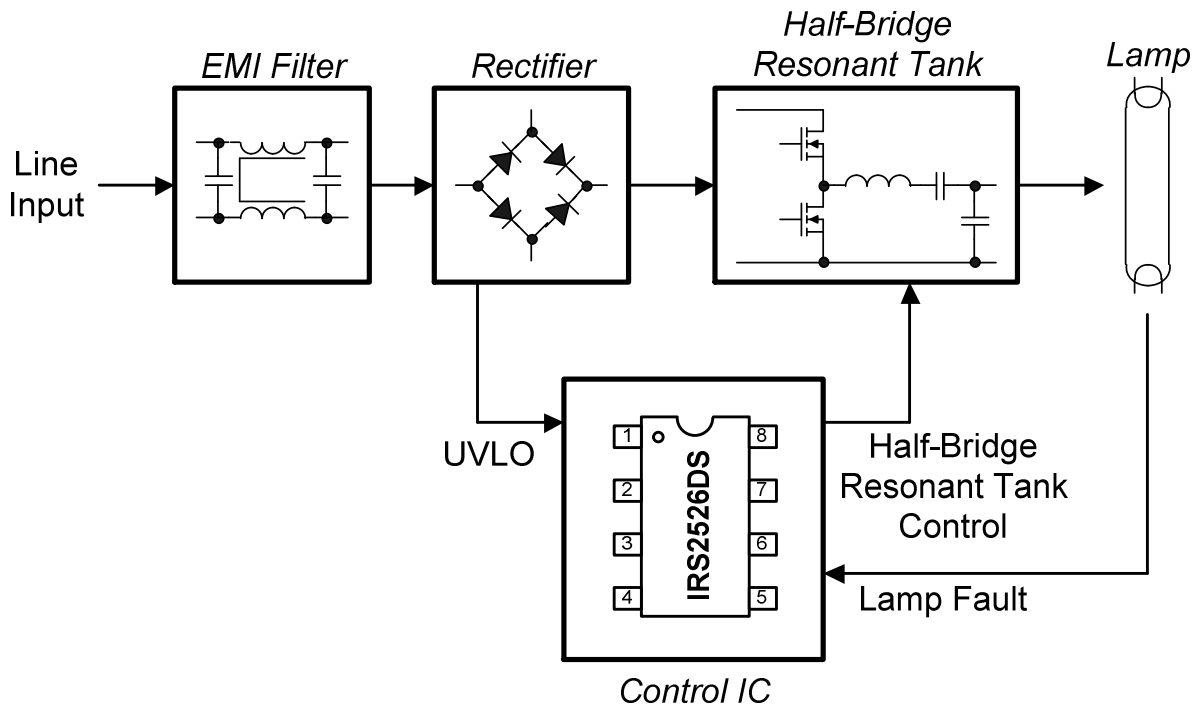
Product Summary

Topology	Half-Bridge
V _{OFFSET}	600V
V _{OUT}	VCC
IO+ & IO- (typical)	180mA & 260mA
Dead-time (typical)	1.8µs

Package Options




Typical Application Block Diagram



Looking for pricing, stock, or lifecycle information?

Click below to explore more details on WIN SOURCE:

-  [View IRS2526DSPBF](#) on WIN SOURCE
-  [Infineon Technologies](#) Information

Optimize Your Supply Chain with WIN SOURCE Solutions

-  Global Sourcing Solution
-  Obsolete Management
-  Cost Control Management
-  Shortage Management
-  Alternative Solution
-  Excess Inventory Management