

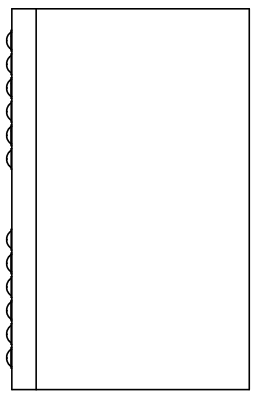
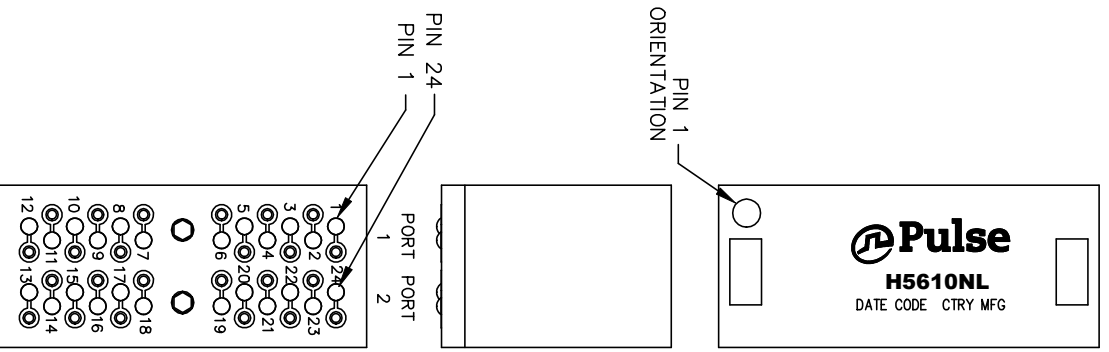


# THE DATASHEET OF H5610NLT



WITH FLAMMABILITY  
BETTER.  
E: -20°C TO +125°C

SOLDERABILITY AT 245°C REFLOW PROFILE  
LEVEL 1, NO MOISTURE SENSITIVE  
R7, 245°C MAXIMUM THROUGH REFLOW SOLDER  
EL PACKAGING ADD A "T" SUFFIX  
(i.e. H5610NL BECOMES H5610NL(T)).



FINAL OUTLINE

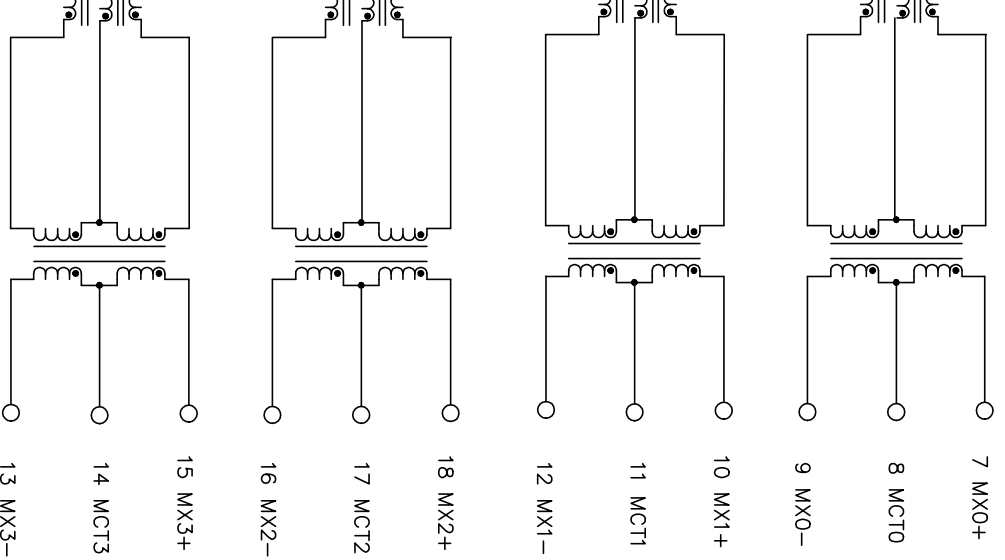
electronics Corp. All rights reserved. Pulse confidential & proprietary. (02/26/19)			
TLA DRAWING	PS DRAWING	SHEET	PART NO.
H5610NL-13	PS-2435.004-B	1 OF 3	H5610NL
electronics.com   Europe – Comm – Apps – Europe@pulseelectronics.com   Asia – profin@networkpac@pulseelectronics.com   Website: Networking.PulseElectronics.com		DATASHEET REV. B	

ELECTRICAL CHARACTERISTICS AT +25°C UNLESS OTHER SPECIFIED  
(FOR REFERENCE ONLY. USED FOR CUSTOMER INFORMATION.)

PARAMETER	SPECIFICATIONS	
OPERATING TEMP	0°C TO +70°C	
TURNS RATIO	1 : 1 ±2%	
POLARITY	PER SCHEMATIC	
INSERTION LOSS	100 KHz	1-125 MHz
	-1.2 dB MAX	-0.2-0.002*f <sup>1.4</sup> dB MAX
RETURN LOSS (Z OUT = 100 OHM ±15%)	.1-40 MHz	40-100 MHz
	-16 dB MIN	-10+20*LOG <sub>10</sub> (f/80 MHz) dB MIN
INDUCTANCE (OCL) (MEDIA SIDE, 0°C-70°C)	350 uH MIN	(MEASURED AT 100 KHz, 100 mV <sub>RMS</sub> ) (AND WITH 8 mA DC BIAS)
	1 MHz	10-100 MHz
CROSS-TALK, ADJACENT CHANNELS	-50 dB MIN	-55+22*LOG <sub>10</sub> (f/10) dB MIN
	2 MHz	30-200 MHz
COMMON MODE REJECTION RATIO	-50 dB MIN	-15+20*LOG <sub>10</sub> (f/200) dB MIN
DC RESISTANCE, 1/2 WINDING	.65 OHMS MAX	
DC RESISTANCE IMBALANCE	±.065 OHMS MAX (CENTER TAP SYMMETRY)	
DC CURRENT/VOLTAGE RATING	350 mA MAX @ 57 V (CONTINUOUS)	
INPUT - OUTPUT ISOLATION	1500 VRMS MIN @ 60 SECONDS	

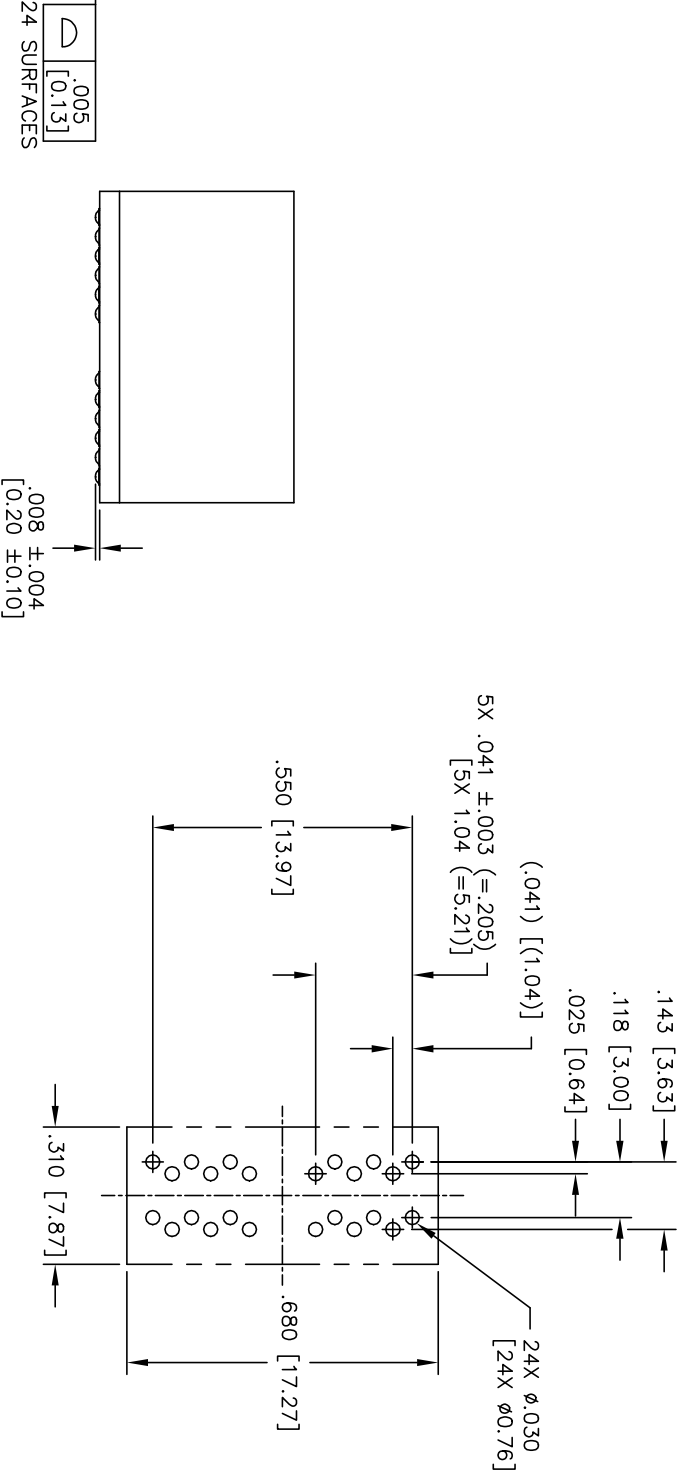
NOTE: f IS FREQUENCY IN MHz.

SCHEMATIC



electronics Corp. All rights reserved. Pulse confidential & proprietary. (02/26/19)

TLA DRAWING	PS DRAWING	SHEET	PART NO.	DATASHEET REV.
H5610NL-13	PS-2435.004-B	2 OF 3	H5610NL	B



DIMENSIONS ARE IN INCHES [MILLIMETERS] WITH THE FOLLOWING  
TOLERANCES: [MILLIMETERS] ARE FOR REFERENCE ONLY.  
.XX = ±.01 [±0.25]  
.XXX = ±.005 [±0.13]

electronics Corp. All rights reserved. Pulse confidential & proprietary. (02/26/19)

TLA DRAWING	PS DRAWING	SHEET	PART NO.	DATASHEET REV.
H5610NL-13	PS-2435.004-B	3 OF 3	H5610NL	B

## Looking for pricing, stock, or lifecycle information?

Click below to explore more details on WIN SOURCE:

 [View H5610NLT on WIN SOURCE](#)

 [Pulse Information](#)

## Optimize Your Supply Chain with WIN SOURCE Solutions

-  Global Sourcing Solution
-  Obsolete Management
-  Cost Control Management
-  Shortage Management
-  Alternative Solution
-  Excess Inventory Management