

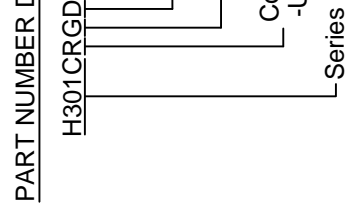
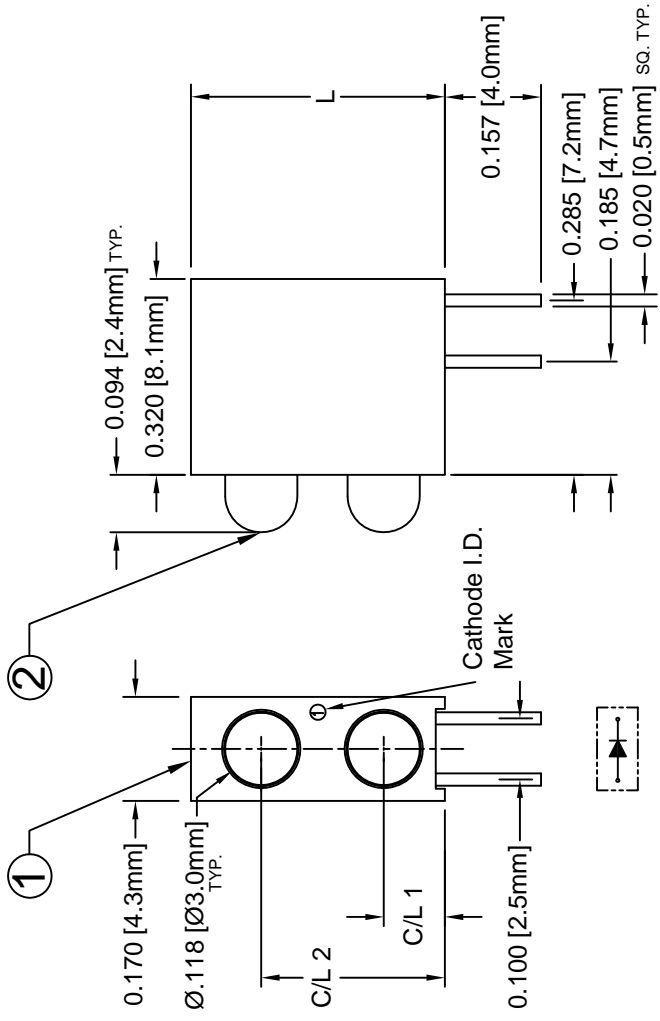


**THE DATASHEET OF
H301CGDL-140**

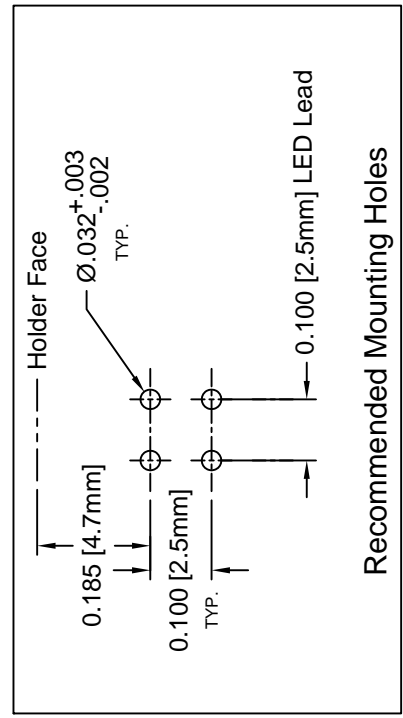
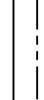


ITEM	Q'TY	PART NUMBER	PART DESCRIPTION
1	1	H-301C-1-XXX	T-1 (3mm) Bi-Level LED Holder, 90° Mount, Var. C/L
2	2	3XX-S	T-1 (3mm) N-Flange Shouldered LED, See Page 2

REV.	Engineering Update
A	Engineering Update
B	LED Package Changing
C	Added H301CSRC-X
D	Added P/N Designation
E	Engineering Update



-If all LEDs are to use e.g. H301C



XXX	Available Centerlines	
	C/L 1	C/L 2
100	.100 (2.5)	.300 (7.6)
120	.120 (3.0)	.320 (8.1)
140	.140 (3.6)	.340 (8.6)
160	.160 (4.1)	.360 (9.1)
180	.180 (4.6)	.380 (9.7)

ABSOLUTE MAXIMUM RATINGS (Ta=25° C)

REVERSE VOLTAGE _____ 5V
 REVERSE CURRENT _____ 100µA
 OPERATING TEMPERATURE RANGE _____ -25° C - 85° C
 STORAGE TEMPERATURE _____ -30° C - 100° C
 LEAD SOLDERING TEMPERATURE(1/16" FROM BODY) _____ 260° C FOR 5 SECONDS

STANDARD TOLERANCES (UNLESS OTHERWISE SPECIFIED)

DECIMALS	ANGULAR	CHAMFER
.X ±.1	X°	
.XX ±.02		
.XXX ±.010		

DESIGNED BY: **T. Yin** DATE: **03/1**
 CHECKED BY: **D. Green** DATE: **03/1**

LED Assy. No.	Peak Wave Length λ_p (nm)	Emitted Color	Lens Appearance	Electro-Optical Data			
				If (mA)	Vf (V)	Iv (mcd)	TYP
STANDARD							
Data @ 20mA							
H301CBWD-XXX	430	BLUE	DIFFUSED	20	4.0	4.5	10
H301CGD-XXX	568	GREEN	DIFFUSED	20	2.1	2.8	25
H301CSGC-XXX	568	SUPER GREEN	WATER CLEAR	20	2.1	2.8	50
H301CSGD-XXX	568	SUPER GREEN	DIFFUSED	20	2.1	2.8	30
H301CSGT-XXX	568	SUPER GREEN	TINTED	20	2.1	2.8	50
H301CYD-XXX	590	YELLOW	DIFFUSED	20	2.0	2.8	20
H301CHD-XXX	625	HE RED	DIFFUSED	20	2.0	2.8	30
H301CRD-XXX	700	RED	DIFFUSED	20	2.1	2.8	2
H301CSR-XXX	645	SUPER RED	DIFFUSED	20	1.7	2.4	40
H301CSRC-XXX	645	SUPER RED	WATER CLEAR	20	1.7	2.4	60
LOW CURRENT							
Data @ 2mA							
H301CGDL-XXX	568	GREEN	DIFFUSED	2	2.1	2.6	2
H301CYDL-XXX	590	YELLOW	DIFFUSED	2	2.0	2.6	2
H301CHDL-XXX	625	HE RED	DIFFUSED	2	2.0	2.6	3
5 VOLT							
Data @ 5V							
H301CGD5V-XXX	568	GREEN	DIFFUSED	8	-	5.0	25
H301CYD5V-XXX	590	YELLOW	DIFFUSED	8	-	5.0	20
H301CHD5V-XXX	625	HE RED	DIFFUSED	8	-	5.0	30


STANDARD TOLERANCE
(UNLESS OTHERWISE SPECIFIED)
±10% ALL VALUES



DESIGNED:	T. Yin	DATE:	03/1
CHECKED:	D. Green	DATE:	03/1

Looking for pricing, stock, or lifecycle information?

Click below to explore more details on WIN SOURCE:

 [View H301CGDL-140 on WIN SOURCE](#)

 [Bivar Inc. Information](#)

Optimize Your Supply Chain with WIN SOURCE Solutions

-  Global Sourcing Solution
-  Obsolete Management
-  Cost Control Management
-  Shortage Management
-  Alternative Solution
-  Excess Inventory Management