



THE DATASHEET OF
08B1-1X1T-03-F



THE INFORMATION CONTAINED HEREIN IS CONSIDERED 'PROPRIETARY' TO BEL FUSE INC. AND SHALL NOT BE COPIED, REPRODUCED OR DISCLOSED WITHOUT THE WRITTEN APPROVAL OF BEL FUSE INC.

ELECTRICAL CHARACTERISTICS @ 25°C

URNS RATIO

TX 1CT : 1

RX 1CT : 1

DCL @ 100kHz/100mVRMS

8mA DC BIAS

350µH MIN.

INS. LOSS

1MHz TO 100MHz

-1.0 dB MAX

RET. LOSS <MIN>

1MHz-30MHz

-18 dB

30MHz-60MHz

-18+20LDG<F/30MHz> dB

60MHz-80MHz

-12 dB

CROSS TALK <TX - RX>

500kHz - 100 MHz

-35 dB MIN

CM TO CM REJ

100kHz - 100 MHz

-30 dB MIN

CM TO DM REJ

100kHz - 100 MHz

-40 dB MIN

HIPOT <Isolation Voltage>:

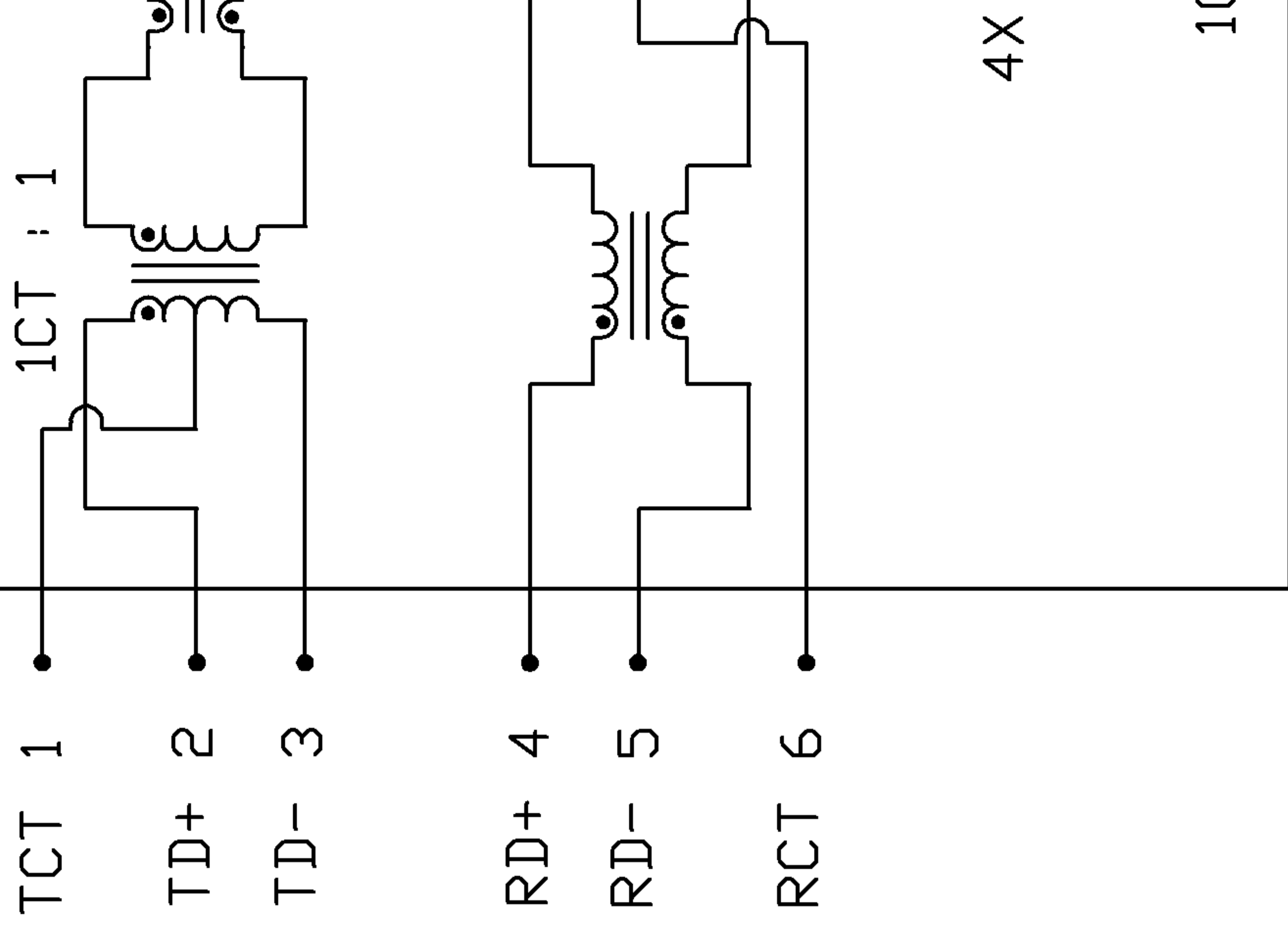
100% OF PRODUCTION TESTED TO COMPLY

WITH IEEE 802.3 ISOLATION REQUIREMENTS

1500 Vrms

SCH

PIN



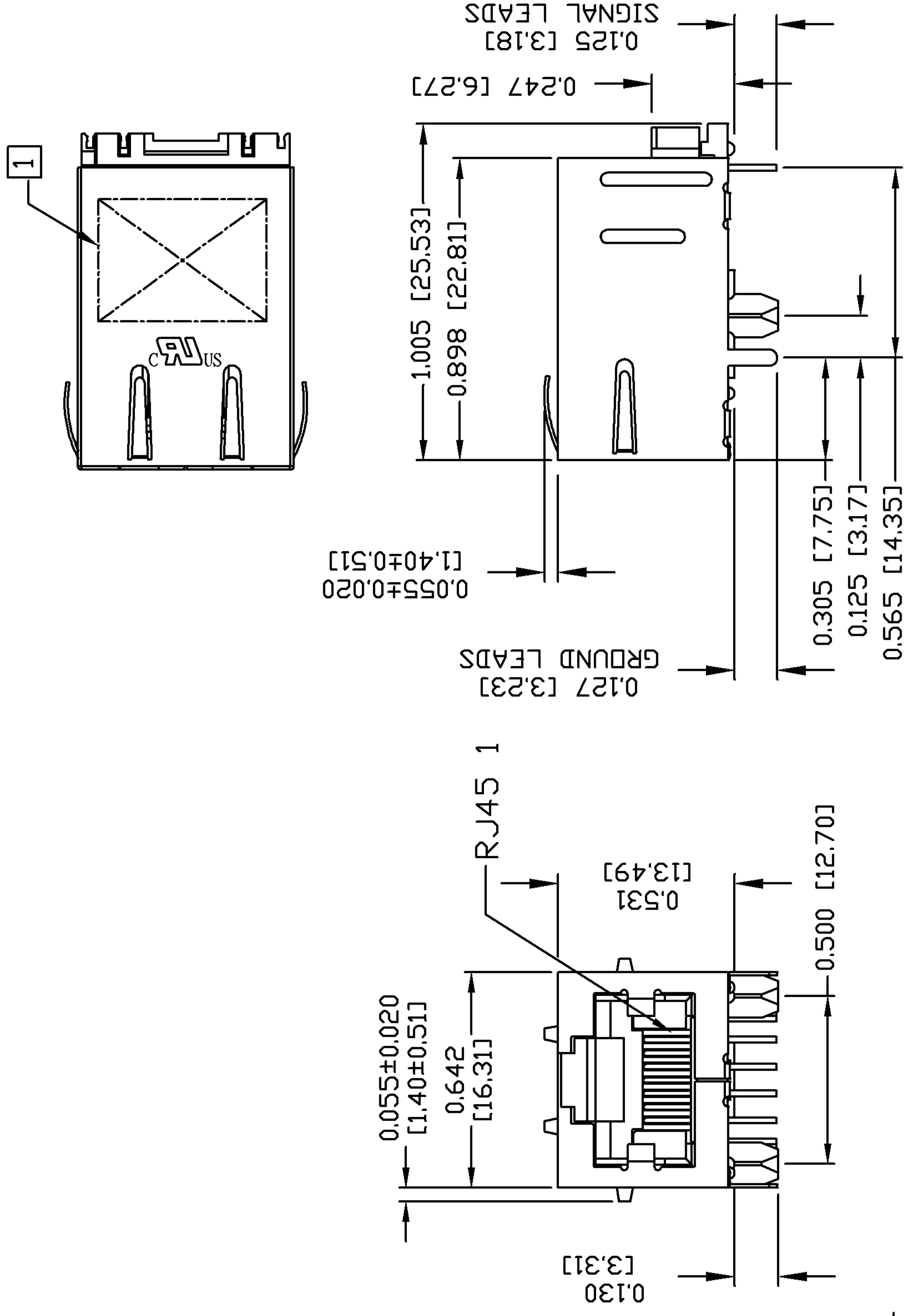
| | | | | |
|----------------------|-------------|--------------------------------------|-------------------------------|----------------------------------|
| ORIGINATED BY | DATE | TITLE | PART NO. / DRAWING NO. | STANDARD DIM TOL. IN INCH |
| CHOW WANCHUNG | 06-10-08 | MagJack® w/o LED <CM Termination> | 08B11X1T03-F | .X |
| DRAWN BY | DATE | | FILE NAME | .XX |
| DENG PING | 06-10-08 | 08B1-1X1T-03-F | 08B11X1T03-F_B.DWG | .XXX |

DC002(2)032305

This document is electronically generated. This is a controlled copy if use

THE INFORMATION CONTAINED HEREIN IS CONSIDERED "PROPRIETARY" TO BEL FUSE INC. AND SHALL NOT BE COPIED, REPRODUCED OR DISCLOSED WITHOUT THE WRITTEN APPROVAL OF BEL FUSE INC.

MECHANICAL SPECIFICATION



RE

0.635 [16.27]
0.500 [12.70]
0.067 [1.70]

0.565 [14.35]

NOTES:

PLASTIC HOUSING: THERMOPLASTIC PBT

FLAMMABILITY RATING UL 94V-0

CONTACTS PLATING: 15 MICRO-INCH HARD GOLD PLATING

PINS: TIN-COATED COPPER WIRE, DIA 0.018 INCH.

METAL SHIELD: PRE-PLATED NICKEL ON COPPER ALLOY.

⟨ALL GROUND LEADS ARE SOLDER DIPPED⟩

☐ MARK PART WITH MFG LOGO, MFG NAME, PART NUMBER, AND DATE CODE.

BU US UL RECOGNIZED - FILE #E196366 AND E169987.

2. ROHS COMPLIANCE, PER EU DIRECTIVE 2002/95/EC.

JACK CAVITY CONFORMS TO FCC RULES AND REGULATIONS.

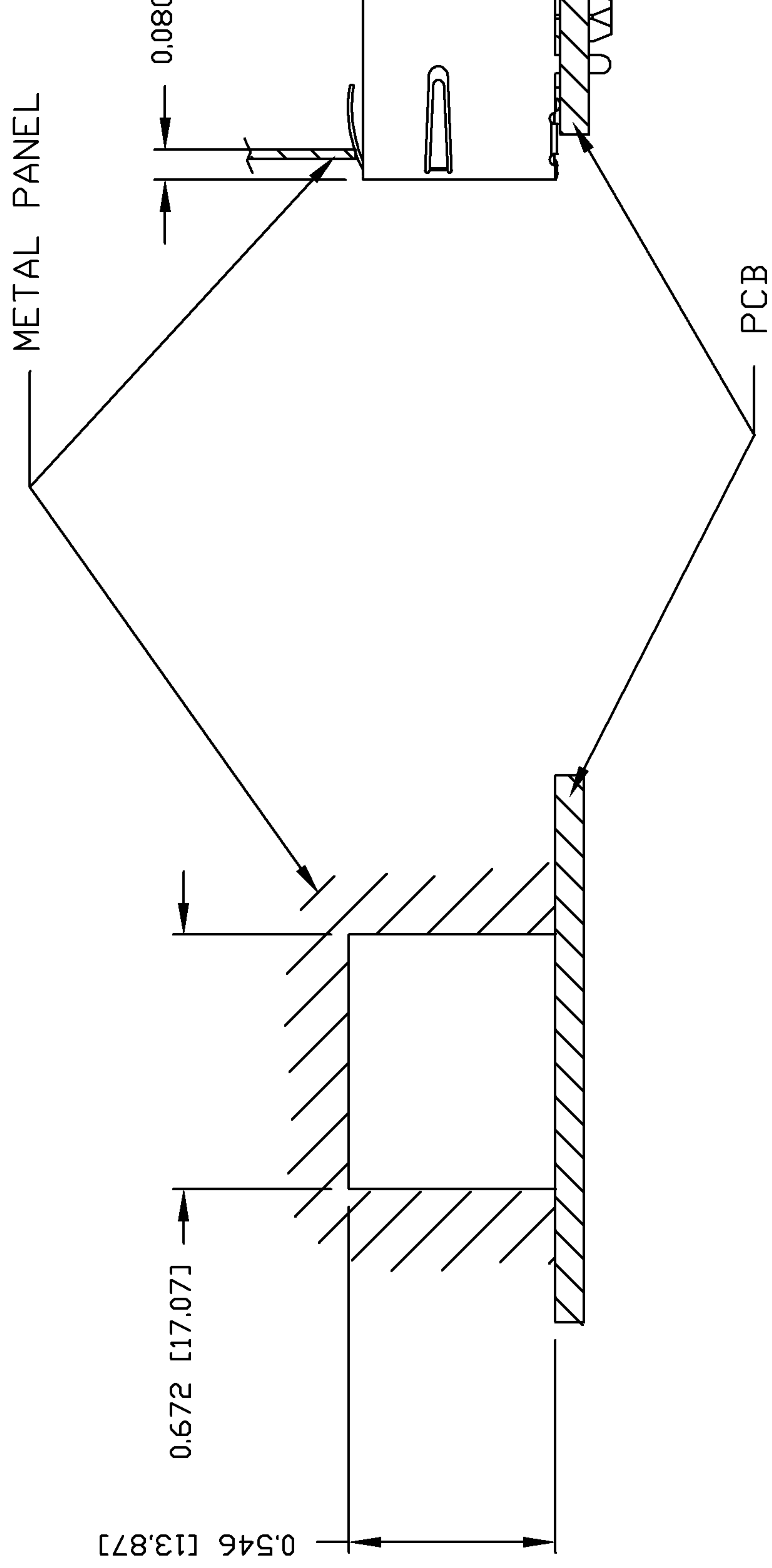
| ORIGINATED BY | DATE | TITLE | PART NO. / DRAWING NO. | STANDARD DIM TOL. IN INCH |
|---------------|----------|--------------------------------------|------------------------|---------------------------|
| ZX HUANG | 06-10-08 | MagJack® w/o LED (CM Termination) | 08B11X1T03-F | .X |
| DRAWN BY | DATE | | FILE NAME | .XX |
| LU XUEPING | 06-10-08 | 08B1-1X1T-03-F | 08B11X1T03-F_B.DWG | .XXX ±0.01 |

DC002(2)032305

This document is electronically generated. This is a controlled copy if used

THE INFORMATION CONTAINED HEREIN IS CONSIDERED "PROPRIETARY" TO BEL FUSE INC. AND SHALL NOT BE COPIED, REPRODUCED OR DISCLOSED WITHOUT THE WRITTEN APPROVAL OF BEL FUSE INC.

SUGGESTED PANEL OPENING



NOTE:

THE DISTANCE OF PANEL INSIDE SURFACE RELATIVE TO FRONT SURFACE OF PART IS ONLY A
 IN CASE THIS DISTANCE IS DIFFERENT, THE REQUIRED PANEL OPENING DIMENSIONS CHANGE ACCORDING TO
PACKING INFORMATION

PACKING TRAY : 0200-9999-D4(TOP)

0200-9999-D5(BOTTOM)

PACKING QUANTITY : 60 PCS FINISHED GOODS PER TRAY

11 TRAYS (660 PCS FINISHED GOODS) PER CARTON BOX

NOTE : CARDBOARDS ARE PLACED BETWEEN LAYERS OF PACKING TRAY INSIDE CARTON BOX
 (INCLUDE THE UPPERMOST AND LOWERMOST TRAY)

| ORIGINATED BY | DATE | TITLE | PART NO. / DRAWING NO. | STANDARD DIM TOL. IN INCH |
|---------------|----------|--------------------------------------|------------------------|---------------------------|
| ZX HUANG | 06-10-08 | MagJack® w/o LED (CM Termination) | 08B11X1T03-F | .X |
| DRAWN BY | DATE | | FILE NAME | .XX |
| LU XUEPING | 06-10-08 | 08B1-1X1T-03-F | 08B11X1T03-F_B.DWG | .XXX ±0.00 |

DC002(2)032305

This document is electronically generated. This is a controlled copy if used.

Looking for pricing, stock, or lifecycle information?

Click below to explore more details on WIN SOURCE:

- [View 0881-1XTT-03-F on WIN SOURCE](#)
- [Bel Fuse Inc. Information](#)

Optimize Your Supply Chain with WIN SOURCE Solutions

- ✓ Global Sourcing Solution
- ✓ Obsolete Management
- ✓ Cost Control Management
- ✓ Shortage Management
- ✓ Alternative Solution
- ✓ Excess Inventory Management