



**THE DATASHEET OF  
CAT93C66VI-GT3**



# EEPROM Serial 4-Kb Microwire

## CAT93C66



SOIC-8  
V SUFFIX  
CASE 751BD

### Description

The CAT93C66 is a 4-Kb CMOS Serial EEPROM device which is organized as either 256 registers of 16 bits (ORG pin at V<sub>CC</sub>) or 512 registers of 8 bits (ORG pin at GND). Each register can be written (or read) serially by using the DI (or DO) pin. The device features sequential read and self-timed internal write with auto-clear. On-chip Power-On Reset circuitry protects the internal logic against powering up in the wrong state.

### Features

- High Speed Operation: 2 MHz
- 1.8 V to 5.5 V Supply Voltage Range
- Selectable x8 or x16 Memory Organization: CAT93C66
- Sequential Read
- Software Write Protection
- Power-up Inadvertent Write Protection
- Low Power CMOS Technology
- 1,000,000 Program/Erase Cycles
- 100 Year Data Retention
- Industrial Temperature Ranges
- 8-lead SOIC Package
- This Device is Pb-Free, Halogen Free/BFR Free, and RoHS Compliant

### PIN CONFIGURATION

(Top View)

|    |   |   |                 |
|----|---|---|-----------------|
| CS | 1 | 8 | V <sub>CC</sub> |
| SK | 2 | 7 | NC              |
| DI | 3 | 6 | ORG             |
| DO | 4 | 5 | GND             |

SOIC (V)

### ORDERING INFORMATION

See detailed ordering and shipping information in the package dimensions section on page 8 of this data sheet.

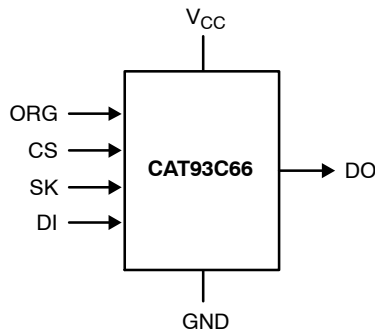


Figure 1. Functional Symbols

### CAT93C66 Selectable Organization:

When the ORG pin is connected to V<sub>CC</sub>, the x16 organization is selected. When it is connected to ground, the x8 organization is selected. If the ORG pin is left unconnected, then an internal pull-up device will select the x16 organization.

# CAT93C66

**Table 1. PIN FUNCTION**

| Pin Name | Function           | Pin Name        | Function            |
|----------|--------------------|-----------------|---------------------|
| CS       | Chip Select        | V <sub>CC</sub> | Power Supply        |
| SK       | Clock Input        | GND             | Ground              |
| DI       | Serial Data Input  | ORG             | Memory Organization |
| DO       | Serial Data Output | NC              | No Connection       |

**Table 2. ABSOLUTE MAXIMUM RATINGS**

| Parameters   | Ratings      | Units |
|--|--------------|-------|
| Storage Temperature                                | -65 to +150  | °C    |
| Voltage on Any Pin with Respect to Ground (Note 1) | -0.5 to +6.5 | V     |

Stresses exceeding those listed in the Maximum Ratings table may damage the device. If any of these limits are exceeded, device functionality should not be assumed, damage may occur and reliability may be affected.

- The DC input voltage on any pin should not be lower than -0.5 V or higher than V<sub>CC</sub> + 0.5 V. During transitions, the voltage on any pin may undershoot to no less than -1.5 V or overshoot to no more than V<sub>CC</sub> + 1.5 V, for periods of less than 20 ns.

**Table 3. RELIABILITY CHARACTERISTICS** (Note 2)

| Symbol                    | Parameter      | Min       | Units                  |
|---------------------------|----------------|-----------|------------------------|
| N <sub>END</sub> (Note 3) | Endurance      | 1,000,000 | Program / Erase Cycles |
| T <sub>DR</sub>           | Data Retention | 100       | Years                  |

- These parameters are tested initially and after a design or process change that affects the parameter according to appropriate AEC-Q100 and JEDEC test methods.
- Block Mode, V<sub>CC</sub> = 5 V, 25°C.

**Table 4. D.C. OPERATING CHARACTERISTICS**

(V<sub>CC</sub> = +1.8 V to +5.5 V, T<sub>A</sub> = -40°C to +85°C unless otherwise specified.)

| Symbol           | Parameter                                 | Test Conditions   | Min                   | Max                   | Units |
|------------------|---|---|-----------------------|-----------------------|-------|
| I <sub>CC1</sub> | Power Supply Current (Write)              | f <sub>SK</sub> = 1 MHz, V <sub>CC</sub> = 5.0 V  |                       | 1                     | mA    |
| I <sub>CC2</sub> | Power Supply Current (Read)               | f <sub>SK</sub> = 1 MHz, V <sub>CC</sub> = 5.0 V  |                       | 500                   | μA    |
| I <sub>SB1</sub> | Power Supply Current (Standby) (x8 Mode)  | V <sub>IN</sub> = GND or V <sub>CC</sub> , CS = GND ORG = GND<br>T <sub>A</sub> = -40°C to +85°C                      |                       | 2                     | μA    |
| I <sub>SB2</sub> | Power Supply Current (Standby) (x16 Mode) | V <sub>IN</sub> = GND or V <sub>CC</sub> , CS = GND ORG = Float or V <sub>CC</sub><br>T <sub>A</sub> = -40°C to +85°C |                       | 1                     | μA    |
| I <sub>LI</sub>  | Input Leakage Current                     | V <sub>IN</sub> = GND to V <sub>CC</sub><br>T <sub>A</sub> = -40°C to +85°C   |                       | 1                     | μA    |
| I <sub>LO</sub>  | Output Leakage Current                    | V <sub>OUT</sub> = GND to V <sub>CC</sub> , CS = GND<br>T <sub>A</sub> = -40°C to +85°C                               |                       | 1                     | μA    |
| V <sub>IL1</sub> | Input Low Voltage                         | 4.5 V ≤ V <sub>CC</sub> < 5.5 V   | -0.1                  | 0.8                   | V     |
| V <sub>IH1</sub> | Input High Voltage                        | 4.5 V ≤ V <sub>CC</sub> < 5.5 V   | 2                     | V <sub>CC</sub> + 1   | V     |
| V <sub>IL2</sub> | Input Low Voltage                         | 1.8 V ≤ V <sub>CC</sub> < 4.5 V   | 0                     | V <sub>CC</sub> × 0.2 | V     |
| V <sub>IH2</sub> | Input High Voltage                        | 1.8 V ≤ V <sub>CC</sub> < 4.5 V   | V <sub>CC</sub> × 0.7 | V <sub>CC</sub> + 1   | V     |
| V <sub>OL1</sub> | Output Low Voltage                        | 4.5 V ≤ V <sub>CC</sub> < 5.5 V, I <sub>OL</sub> = 2.1 mA   |                       | 0.4                   | V     |
| V <sub>OH1</sub> | Output High Voltage                       | 4.5 V ≤ V <sub>CC</sub> < 5.5 V, I <sub>OH</sub> = -400 μA  | 2.4                   |                       | V     |
| V <sub>OL2</sub> | Output Low Voltage                        | 1.8 V ≤ V <sub>CC</sub> < 4.5 V, I <sub>OL</sub> = 1 mA   |                       | 0.2                   | V     |
| V <sub>OH2</sub> | Output High Voltage                       | 1.8 V ≤ V <sub>CC</sub> < 4.5 V, I <sub>OH</sub> = -100 μA  | V <sub>CC</sub> - 0.2 |                       | V     |

Product parametric performance is indicated in the Electrical Characteristics for the listed test conditions, unless otherwise noted. Product performance may not be indicated by the Electrical Characteristics if operated under different conditions.

## CAT93C66

**Table 5. PIN CAPACITANCE** ( $T_A = 25^\circ\text{C}$ ,  $f = 1.0\text{ MHz}$ ,  $V_{CC} = +5.0\text{ V}$ )

| Symbol             | Test                                | Conditions             | Min | Typ | Max | Units |
|--------------------|-------------------------------------|------------------------|-----|-----|-----|-------|
| $C_{OUT}$ (Note 4) | Output Capacitance (DO)             | $V_{OUT} = 0\text{ V}$ |     |     | 5   | pF    |
| $C_{IN}$ (Note 4)  | Input Capacitance (CS, SK, DI, ORG) | $V_{IN} = 0\text{ V}$  |     |     | 5   | pF    |

4. These parameters are tested initially and after a design or process change that affects the parameter according to appropriate AEC-Q100 and JEDEC test methods.

**Table 6. A.C. CHARACTERISTICS**

( $V_{CC} = +1.8\text{ V}$  to  $+5.5\text{ V}$ ,  $T_A = -40^\circ\text{C}$  to  $+85^\circ\text{C}$ , unless otherwise specified.) (Note 5)

| Symbol            | Parameter                    | Limits |      | Units         |
|-------------------|------------------------------|--------|------|---------------|
|                   |                              | Min    | Max  |               |
| $t_{CSS}$         | CS Setup Time                | 50     |      | ns            |
| $t_{CSH}$         | CS Hold Time                 | 0      |      | ns            |
| $t_{DIS}$         | DI Setup Time                | 100    |      | ns            |
| $t_{DIH}$         | DI Hold Time                 | 100    |      | ns            |
| $t_{PD1}$         | Output Delay to 1            |        | 0.25 | $\mu\text{s}$ |
| $t_{PD0}$         | Output Delay to 0            |        | 0.25 | $\mu\text{s}$ |
| $t_{HZ}$ (Note 6) | Output Delay to High-Z       |        | 100  | ns            |
| $t_{EW}$          | Program/Erase Pulse Width    |        | 5    | ms            |
| $t_{CSMIN}$       | Minimum CS Low Time          | 0.25   |      | $\mu\text{s}$ |
| $t_{SKHI}$        | Minimum SK High Time         | 0.25   |      | $\mu\text{s}$ |
| $t_{SKLOW}$       | Minimum SK Low Time          | 0.25   |      | $\mu\text{s}$ |
| $t_{SV}$          | Output Delay to Status Valid |        | 0.25 | $\mu\text{s}$ |
| $SK_{MAX}$        | Maximum Clock Frequency      | DC     | 2000 | kHz           |

5. Test conditions according to "A.C. Test Conditions" table.  
 6. These parameters are tested initially and after a design or process change that affects the parameter according to appropriate AEC-Q100 and JEDEC test methods.

**Table 7. POWER-UP TIMING** (Notes 7, 8)

| Symbol    | Parameter                   | Max | Units |
|-----------|-----------------------------|-----|-------|
| $t_{PUR}$ | Power-up to Read Operation  | 1   | ms    |
| $t_{PUW}$ | Power-up to Write Operation | 1   | ms    |

7. These parameters are tested initially and after a design or process change that affects the parameter according to appropriate AEC-Q100 and JEDEC test methods.  
 8.  $t_{PUR}$  and  $t_{PUW}$  are the delays required from the time  $V_{CC}$  is stable until the specified operation can be initiated.

# CAT93C66

**Table 8. A.C. TEST CONDITIONS**

|                           |   |                                 |
|---------------------------|---|---------------------------------|
| Input Rise and Fall Times | ≤ 50 ns   |                                 |
| Input Pulse Voltages      | 0.4 V to 2.4 V  | 4.5 V ≤ V <sub>CC</sub> ≤ 5.5 V |
| Timing Reference Voltages | 0.8 V, 2.0 V  | 4.5 V ≤ V <sub>CC</sub> ≤ 5.5 V |
| Input Pulse Voltages      | 0.2 V <sub>CC</sub> to 0.7 V <sub>CC</sub>                          | 1.8 V ≤ V <sub>CC</sub> ≤ 4.5 V |
| Timing Reference Voltages | 0.5 V <sub>CC</sub>   | 1.8 V ≤ V <sub>CC</sub> ≤ 4.5 V |
| Output Load               | Current Source I <sub>OLmax</sub> /I <sub>OHmax</sub> ; CL = 100 pF |                                 |

## DEVICE OPERATION

The CAT93C66 is a 4096-bit nonvolatile memory intended for use with industry standard microprocessors. The CAT93C66 can be organized as either registers of 16 bits or 8 bits. When organized as X16, seven 11-bit instructions control the reading, writing and erase operations of the device. When organized as X8, seven 12-bit instructions control the reading, writing and erase operations of the device. The device operates on a single power supply and will generate on chip, the high voltage required during any write operation.

Instructions, addresses, and write data are clocked into the DI pin on the rising edge of the clock (SK). The DO pin is normally in a high impedance state except when reading data from the device, or when checking the ready/busy status after a write operation. The serial communication protocol follows the timing shown in Figure 2.

The ready/busy status can be determined after the start of internal write cycle by selecting the device (CS high) and polling the DO pin; DO low indicates that the write operation is not completed, while DO high indicates that the device is ready for the next instruction. If necessary, the DO pin may be placed back into a high impedance state during chip select by shifting a dummy “1” into the DI pin. The DO pin will enter the high impedance state on the rising edge of the clock (SK). Placing the DO pin into the high impedance state is recommended in applications where the DI pin and the DO pin are to be tied together to form a common DI/O pin.

The format for all instructions sent to the device is a logical “1” start bit, a 2-bit (or 4-bit) opcode, 8-bit address (an additional bit when organized X8) and for write operations a 16-bit data field (8-bit for X8 organizations). The instruction format is shown in Instruction Set table.

**Table 9. INSTRUCTION SET**

| Instruction | Start Bit | Opcode | Address    |            | Data  |        | Comments              |
|-------------|-----------|--------|------------|------------|-------|--------|-----------------------|
|             |           |        | x8         | x16        | x8    | x16    |                       |
| READ        | 1         | 10     | A8-A0      | A7-A0      |       |        | Read Address AN – A0  |
| ERASE       | 1         | 11     | A8-A0      | A7-A0      |       |        | Clear Address AN – A0 |
| WRITE       | 1         | 01     | A8-A0      | A7-A0      | D7-D0 | D15-D0 | Write Address AN – A0 |
| EWEN        | 1         | 00     | 11XXXXXXXX | 11XXXXXXXX |       |        | Write Enable          |
| EWDS        | 1         | 00     | 00XXXXXXXX | 00XXXXXXXX |       |        | Write Disable         |
| ERAL        | 1         | 00     | 10XXXXXXXX | 10XXXXXXXX |       |        | Clear All Addresses   |
| WRAL        | 1         | 00     | 01XXXXXXXX | 01XXXXXXXX | D7-D0 | D15-D0 | Write All Addresses   |

**Read**

Upon receiving a READ command and an address (clocked into the DI pin), the DO pin of the CAT93C66 will come out of the high impedance state and, after sending an initial dummy zero bit, will begin shifting out the data addressed (MSB first). The output data bits will toggle on the rising edge of the SK clock and are stable after the specified time delay ( $t_{PD0}$  or  $t_{PD1}$ ).

For the CAT93C66 after the initial data word has been shifted out and CS remains asserted with the SK clock continuing to toggle, the device will automatically increment to the next address and shift out the next data word in a sequential READ mode. As long as CS is continuously asserted and SK continues to toggle, the device will keep incrementing to the next address automatically until it reaches to the end of the address space, then loops back to address 0. In the sequential READ mode, only the initial data

word is preceded by a dummy zero bit. All subsequent data words will follow without a dummy zero bit. The READ instruction timing is illustrated in Figure 3.

**Erase/Write Enable and Disable**

The device powers up in the write disable state. Any writing after power-up or after an EWDS (erase/write disable) instruction must first be preceded by the EWEN (erase/write enable) instruction. Once the write instruction is enabled, it will remain enabled until power to the device is removed, or the EWDS instruction is sent. The EWDS instruction can be used to disable all CAT93C66 write and erase instructions, and will prevent any accidental writing or clearing of the device. Data can be read normally from the device regardless of the write enable/disable status. The EWEN and EWDS instructions timing is shown in Figure 4.

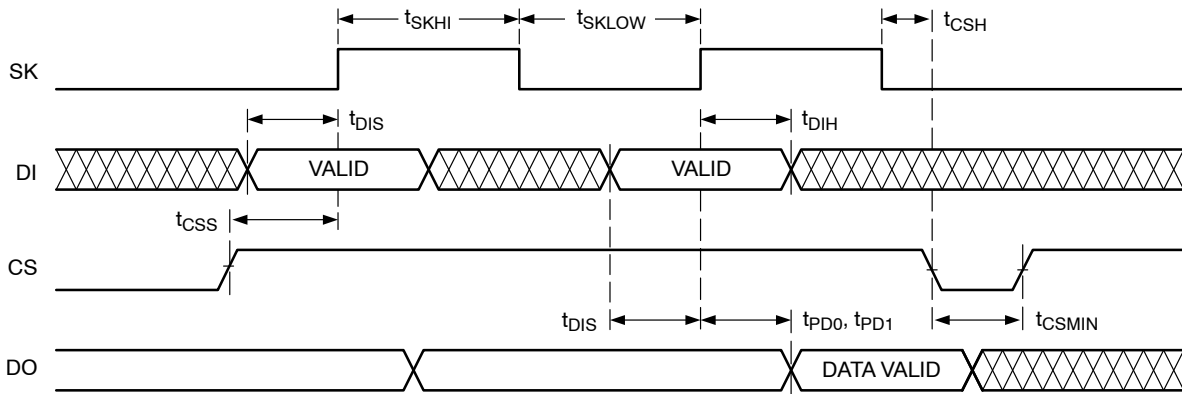


Figure 2. Synchronous Data Timing

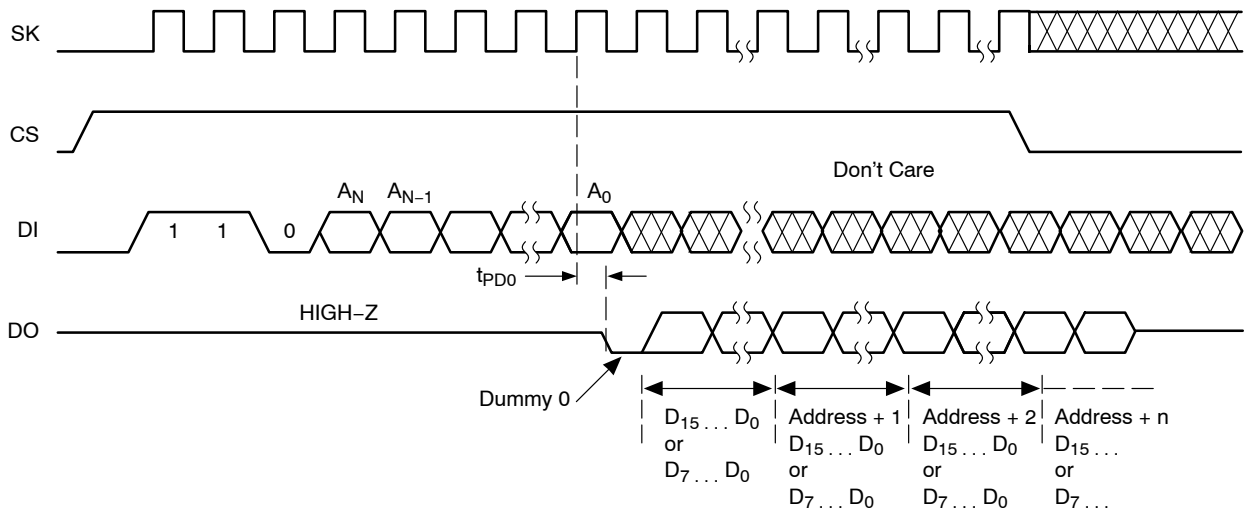


Figure 3. READ Instruction Timing

# CAT93C66

## Write

After receiving a WRITE command (Figure 5), address and the data, the CS (Chip Select) pin must be deselected for a minimum of  $t_{CSMIN}$ . The falling edge of CS will start the self clocking clear and data store cycle of the memory location specified in the instruction. The clocking of the SK pin is not necessary after the device has entered the self clocking mode. The ready/busy status of the CAT93C66 can be determined by selecting the device and polling the DO pin. Since this device features Auto-Clear before write, it is NOT necessary to erase a memory location before it is written into.

## Erase

Upon receiving an ERASE command and address, the CS (Chip Select) pin must be deasserted for a minimum of  $t_{CSMIN}$  (Figure 6). The falling edge of CS will start the self clocking clear cycle of the selected memory location. The clocking of the SK pin is not necessary after the device has entered the self clocking mode. The ready/busy status of the CAT93C66 can be determined by selecting the device and polling the DO pin. Once cleared, the content of a cleared location returns to a logical "1" state.

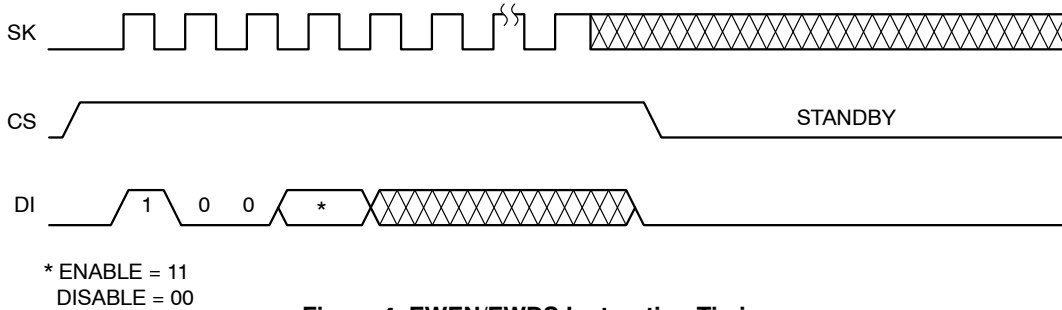


Figure 4. EWEN/EWDS Instruction Timing

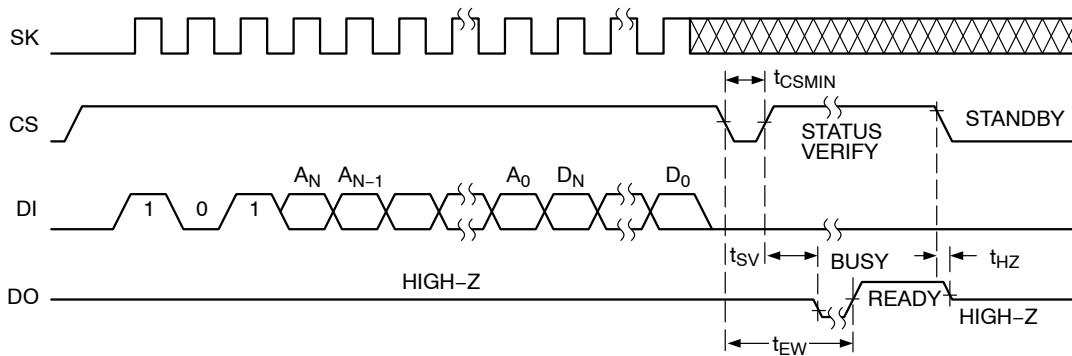


Figure 5. Write Instruction Timing

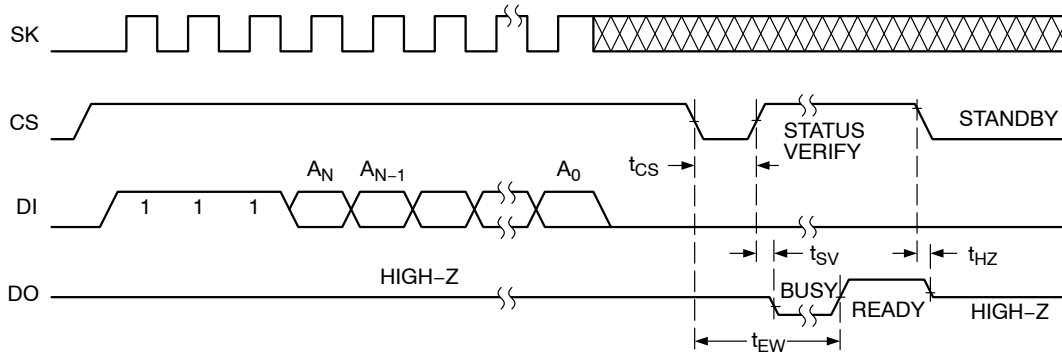


Figure 6. Erase Instruction Timing

# CAT93C66

## Erase All

Upon receiving an ERAL command (Figure 7), the CS (Chip Select) pin must be deselected for a minimum of  $t_{CSMIN}$ . The falling edge of CS will start the self clocking clear cycle of all memory locations in the device. The clocking of the SK pin is not necessary after the device has entered the self clocking mode. The ready/busy status of the device can be determined by selecting the device and polling the DO pin. Once cleared, the contents of all memory bits return to a logical "1" state.

## Write All

Upon receiving a WRAL command and data, the CS (Chip Select) pin must be deselected for a minimum of  $t_{CSMIN}$  (Figure 8). The falling edge of CS will start the self clocking data write to all memory locations in the device. The clocking of the SK pin is not necessary after the device has entered the self clocking mode. The ready/busy status of the device can be determined by selecting the device and polling the DO pin. It is not necessary for all memory locations to be cleared before the WRAL command is executed.

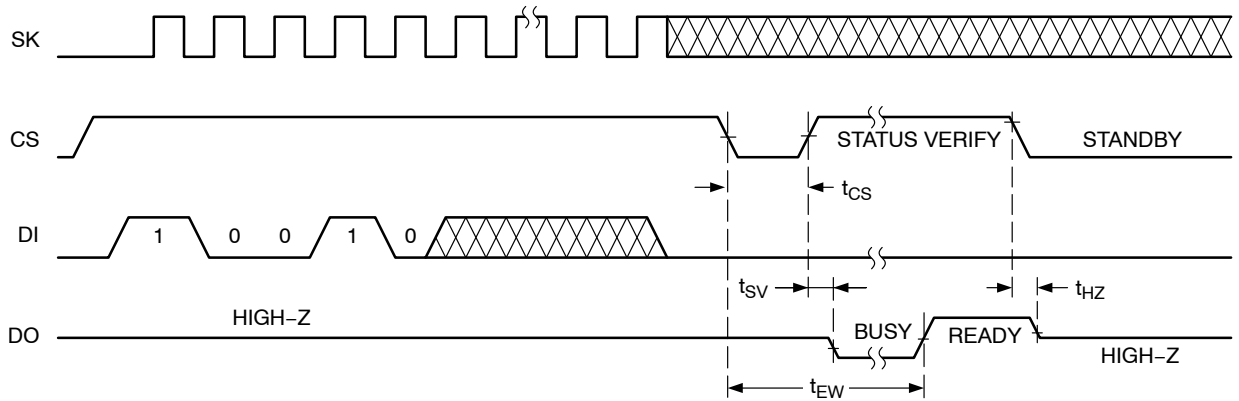


Figure 7. ERAL Instruction Timing

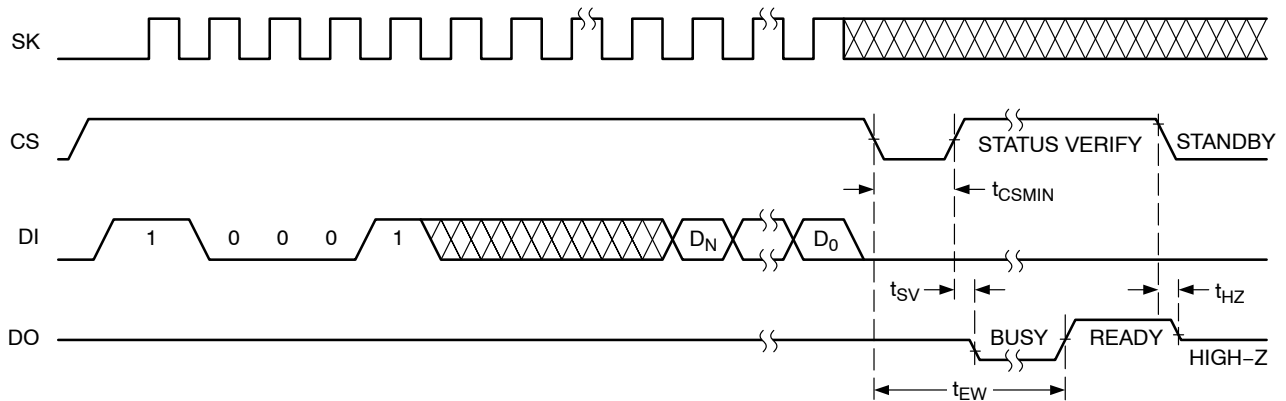


Figure 8. WRAL Instruction Timing

# CAT93C66

**Table 10. ORDERING INFORMATION**

| OPN            | Specific Device Marking | Pkg Type      | Temperature Range                  | Shipping                          |
|----------------|-------------------------|---------------|------------------------------------|-----------------------------------|
| CAT93C66VI-GT3 | 93C66D                  | SOIC-8, JEDEC | I = Industrial<br>(-40°C to +85°C) | Tape & Reel,<br>3000 Units / Reel |

9. All packages are RoHS-compliant (Lead-free, Halogen-free).

10. The standard lead finish is NiPdAu.

11. For additional package and temperature options, please contact your nearest **onsemi** Sales office.

12. For information on tape and reel specifications, including part orientation and tape sizes, please refer to our Tape and Reel Packaging Specifications Brochure, BRD8011/D.

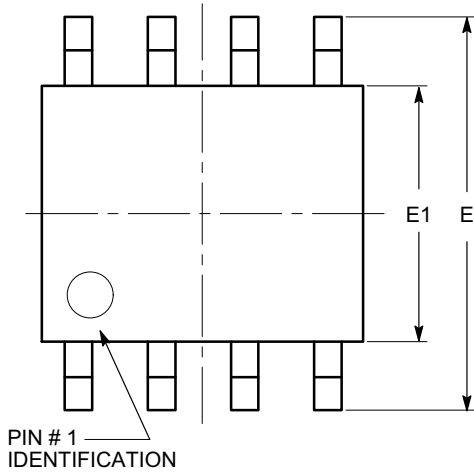
13. For detailed information and a breakdown of device nomenclature and numbering systems, please see the **onsemi** Device Nomenclature document, TND310/D, available at [www.onsemi.com](http://www.onsemi.com)

**MECHANICAL CASE OUTLINE**  
**PACKAGE DIMENSIONS**



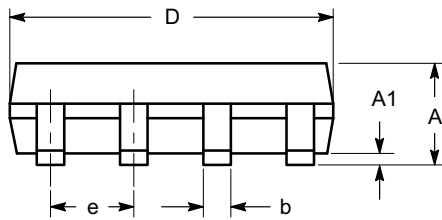
**SOIC-8, 150 mils**  
**CASE 751BD**  
**ISSUE O**

DATE 19 DEC 2008

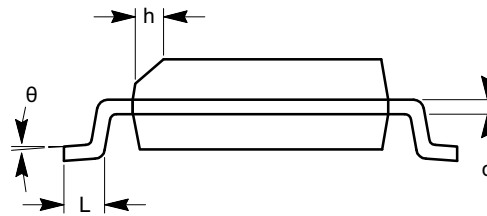


**TOP VIEW**

| SYMBOL   | MIN      | NOM | MAX  |
|----------|----------|-----|------|
| A        | 1.35     |     | 1.75 |
| A1       | 0.10     |     | 0.25 |
| b        | 0.33     |     | 0.51 |
| c        | 0.19     |     | 0.25 |
| D        | 4.80     |     | 5.00 |
| E        | 5.80     |     | 6.20 |
| E1       | 3.80     |     | 4.00 |
| e        | 1.27 BSC |     |      |
| h        | 0.25     |     | 0.50 |
| L        | 0.40     |     | 1.27 |
| $\theta$ | 0°       |     | 8°   |



**SIDE VIEW**



**END VIEW**

**Notes:**

- (1) All dimensions are in millimeters. Angles in degrees.
- (2) Complies with JEDEC MS-012.

|                         |                         |   |
|-------------------------|-------------------------|---|
| <b>DOCUMENT NUMBER:</b> | <b>98AON34272E</b>      | Electronic versions are uncontrolled except when accessed directly from the Document Repository.<br>Printed versions are uncontrolled except when stamped "CONTROLLED COPY" in red. |
| <b>DESCRIPTION:</b>     | <b>SOIC 8, 150 MILS</b> | <b>PAGE 1 OF 1</b>  |

onsemi and onsemi are trademarks of Semiconductor Components Industries, LLC dba onsemi or its subsidiaries in the United States and/or other countries. onsemi reserves the right to make changes without further notice to any products herein. onsemi makes no warranty, representation or guarantee regarding the suitability of its products for any particular purpose, nor does onsemi assume any liability arising out of the application or use of any product or circuit, and specifically disclaims any and all liability, including without limitation special, consequential or incidental damages. onsemi does not convey any license under its patent rights nor the rights of others.

**onsemi**, **Onsemi**, and other names, marks, and brands are registered and/or common law trademarks of Semiconductor Components Industries, LLC dba "**onsemi**" or its affiliates and/or subsidiaries in the United States and/or other countries. **onsemi** owns the rights to a number of patents, trademarks, copyrights, trade secrets, and other intellectual property. A listing of **onsemi**'s product/patent coverage may be accessed at [www.onsemi.com/site/pdf/Patent-Marking.pdf](http://www.onsemi.com/site/pdf/Patent-Marking.pdf). **onsemi** reserves the right to make changes at any time to any products or information herein, without notice. The information herein is provided "as-is" and **onsemi** makes no warranty, representation or guarantee regarding the accuracy of the information, product features, availability, functionality, or suitability of its products for any particular purpose, nor does **onsemi** assume any liability arising out of the application or use of any product or circuit, and specifically disclaims any and all liability, including without limitation special, consequential or incidental damages. Buyer is responsible for its products and applications using **onsemi** products, including compliance with all laws, regulations and safety requirements or standards, regardless of any support or applications information provided by **onsemi**. "Typical" parameters which may be provided in **onsemi** data sheets and/or specifications can and do vary in different applications and actual performance may vary over time. All operating parameters, including "Typicals" must be validated for each customer application by customer's technical experts. **onsemi** does not convey any license under any of its intellectual property rights nor the rights of others. **onsemi** products are not designed, intended, or authorized for use as a critical component in life support systems or any FDA Class 3 medical devices or medical devices with a same or similar classification in a foreign jurisdiction or any devices intended for implantation in the human body. Should Buyer purchase or use **onsemi** products for any such unintended or unauthorized application, Buyer shall indemnify and hold **onsemi** and its officers, employees, subsidiaries, affiliates, and distributors harmless against all claims, costs, damages, and expenses, and reasonable attorney fees arising out of, directly or indirectly, any claim of personal injury or death associated with such unintended or unauthorized use, even if such claim alleges that **onsemi** was negligent regarding the design or manufacture of the part. **onsemi** is an Equal Opportunity/Affirmative Action Employer. This literature is subject to all applicable copyright laws and is not for resale in any manner.

## ADDITIONAL INFORMATION

### TECHNICAL PUBLICATIONS:

Technical Library: [www.onsemi.com/design/resources/technical-documentation](http://www.onsemi.com/design/resources/technical-documentation)  
onsemi Website: [www.onsemi.com](http://www.onsemi.com)

### ONLINE SUPPORT: [www.onsemi.com/support](http://www.onsemi.com/support)

For additional information, please contact your local Sales Representative at [www.onsemi.com/support/sales](http://www.onsemi.com/support/sales)

## Looking for pricing, stock, or lifecycle information?

Click below to explore more details on WIN SOURCE:

- ⊖ [View CAT93C66VI-GT3 on WIN SOURCE](#)
- ⊖ [ON Semiconductor Information](#)

## Optimize Your Supply Chain with WIN SOURCE Solutions

- ✓ Global Sourcing Solution
- ✓ Obsolete Management
- ✓ Cost Control Management
- ✓ Shortage Management
- ✓ Alternative Solution
- ✓ Excess Inventory Management