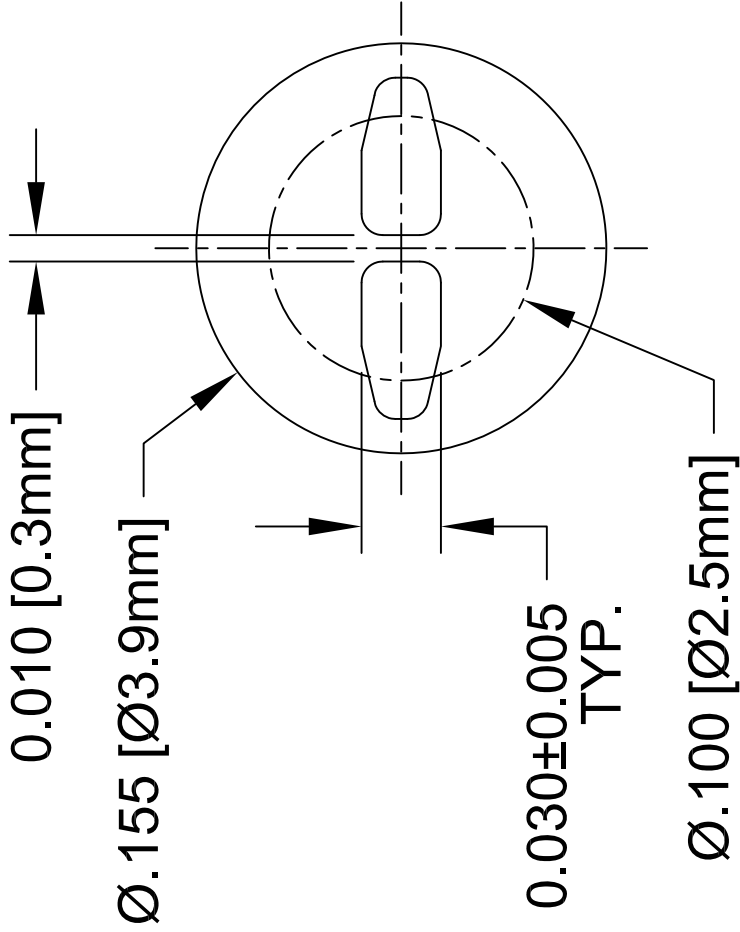




**THE DATASHEET OF
ELM 5-070**



REV.	DE
J	Material Update



4. TOLERANCE "L" DIMENSION:
 0.030 - 0.500 (1.0 - 12.7mm)±0.005(0.1mm)
 0.505 - 0.750 (12.8 - 19.1mm)±0.008(0.2mm)
 0.755 - 1.250 (19.2 - 31.8mm)±0.015(0.4mm)
3. MATERIAL: PVC ALLOY, 94V-0, BLACK. BIVAR MATERIAL CODE 58-BK
 CYBERTECH CYBERSHIELD PVC ALLOY, CS1534WX-BLK02N, BLACK
2. MATERIAL: PVC ALLOY, 94V-0, BLACK. BIVAR MATERIAL CODE 62-BK
 CYBERTECH CYBERSHIELD PVC ALLOY, CS1534WX-BLK02PN, BLACK
1. GENERAL SPECIFICATIONS: BIVAR EXTRUDED PRODUCT SPECIFICATION BV00-E105.

STANDARD TOLERANCE (UNLESS OTHERWISE SPECIFIED)	ANGULAR	X° ±	⊕
DECIMALS		.X ±.1	±
		.XX ±.01	
		.XXX ±.005	
DESIGNED:	DATE:	02/03	
Shane Irving	CHECKED:	M. Chen	12/17

Looking for pricing, stock, or lifecycle information?

Click below to explore more details on WIN SOURCE:

 [View ELM 5-070 on WIN SOURCE](#)

 [Bivar Inc. Information](#)

Optimize Your Supply Chain with WIN SOURCE Solutions

-  Global Sourcing Solution
-  Obsolete Management
-  Cost Control Management
-  Shortage Management
-  Alternative Solution
-  Excess Inventory Management