



**THE DATASHEET OF
DAC1627D1G25HN-C18**



DAC1627D1G25

Dual 16-bit DAC, LVDS interface, up to 1.25 Gsps, x2, x4 and x8 interpolating

Rev. 4.00 — 12 December 2012

Product data sheet

1. General description

The DAC1627D1G25 is a high-speed 16-bit dual channel Digital-to-Analog Converter (DAC). It incorporates selectable $\times 2$, $\times 4$ and $\times 8$ interpolation filters optimized for multi-carrier and broadband wireless transmitters at sample rates of up to 1.25 Gsps. The DAC1627D1G25 is supplied by two power supplies and integrates a differential scalable output current up to 34 mA.

The DAC1627D1G25 meets multi-carrier Global System for Mobile communications (GSM) specifications. For example, with an NCO frequency of 153.6 MHz and a DAC clock frequency of 1.2288 Gsps the full-scale dynamic range is:

- SFDR_{RBW} = 90 dBc (bandwidth = 180 MHz)
- IMD3 = 85 dBc

The Serial Peripheral Interface (SPI) provides full control of the DAC1627D1G25.

The DAC1627D1G25 integrates a Low Voltage Differential Signaling (LVDS) Double Data Rate (DDR) receiver interface, with an on-chip 100 Ω termination. The LVDS DDR interface accepts a multiplex input data stream such as interleaved or folded. An internal LVDS input auto-calibration ensures the robustness and stability of the interface.

Digital on-chip modulation converts the complex I and Q inputs from baseband to IF. A 40-bit Numerically Controlled Oscillator (NCO) sets the mixer frequency. High resolution internal gain, phase and offset control provide outstanding image and Local Oscillator (LO) signal rejection at the system analog modulator output.

An inverse $(\sin x) / x$ function ensures a controlled flatness 0.5 dB for high bandwidths at the DAC output.

Multiple Device Synchronization (MDS) allows synchronization of the outputs of multiple DAC devices. MDS guarantees a maximum skew of one output clock period between several devices.

The DAC1627D1G25 includes a low noise capacitor-free integrated Phase-Locked Loop (PLL) multiplier which generates a DAC clock rate from the LVDS clock rate.

The DAC1627D1G25 is available in an HVQFN72 package (10 mm \times 10 mm).



2. Features and benefits

- Dual-channel 16-bit resolution
- 1.25 Gsps maximum update rate
- Selectable x2, x4 and x8 interpolation filters
- Low noise capacitor-free integrated Phase-Locked Loop (PLL)
- Embedded Numerically Controlled Oscillator (NCO) with 40-bit programmable frequency
- Embedded complex (I/Q) modulator
- Two power supplies
- LVDS DDR compatible input interface with on-chip 100 Ω terminations
- LVDS DDR input clock up to 400 MHz
- LVDS or LVPECL compatible DAC clock
- Interleaved or folded I and Q data input mode
- Synchronization of multiple DAC devices
- 3-wire or 4-wire mode SPI interface
- Differential scalable output current from 8.1 mA to 34 mA
- External analog offset control (10-bit auxiliary DACs)
- High resolution internal digital gain and offset control to support high performance IQ-modulator image rejection
- Internal phase correction
- Inverse (sin x) / x function
- Power-down mode and Sleep mode; 5-bit NCO low-power mode
- On-chip 1.25 V reference
- Industrial temperature range $-40\text{ }^{\circ}\text{C}$ to $+85\text{ }^{\circ}\text{C}$
- 72 pins small form factor HVQFN package

3. Applications

- Wireless infrastructure: MC_GSM, LTE, WiMAX, GSM, CDMA, WCDMA, TD-SCDMA
- Communications: LMDS/MMDS, point-to-point
- Direct Digital Synthesis (DDS)
- Digital radio links
- Instrumentation
- Automated Test Equipment (ATE)

4. Ordering information

Table 1. Ordering information

Type number	Package		Version
	Name	Description	
DAC1627D1G25	HVQFN72	plastic thermal enhanced very thin quad flat package; no leads; 72 terminals; body $10 \times 10 \times 0.85$ mm	SOT813-3

5. Block diagram

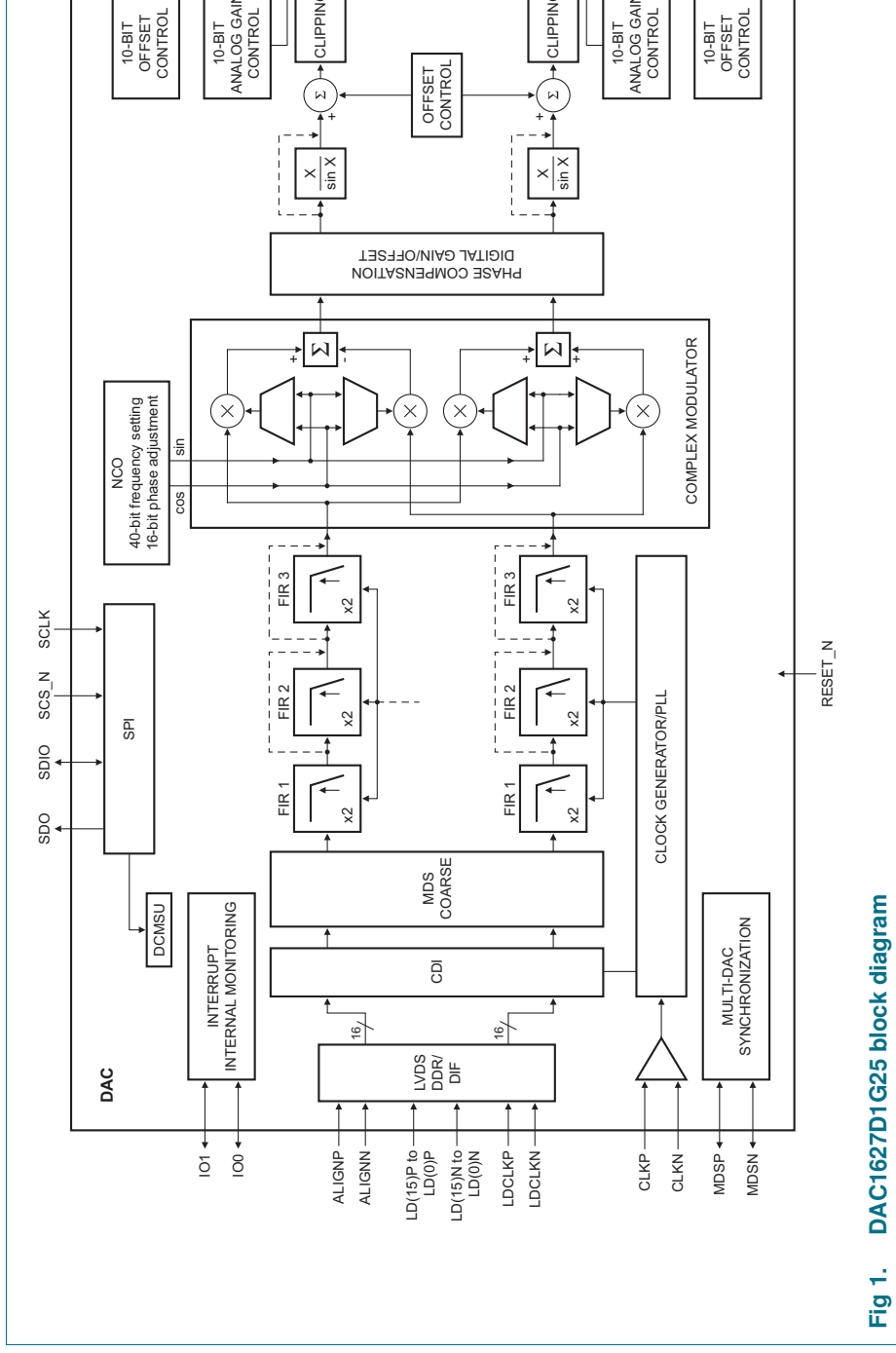


Fig 1. DAC1627D1G25 block diagram

6. Pinning information

6.1 Pinning

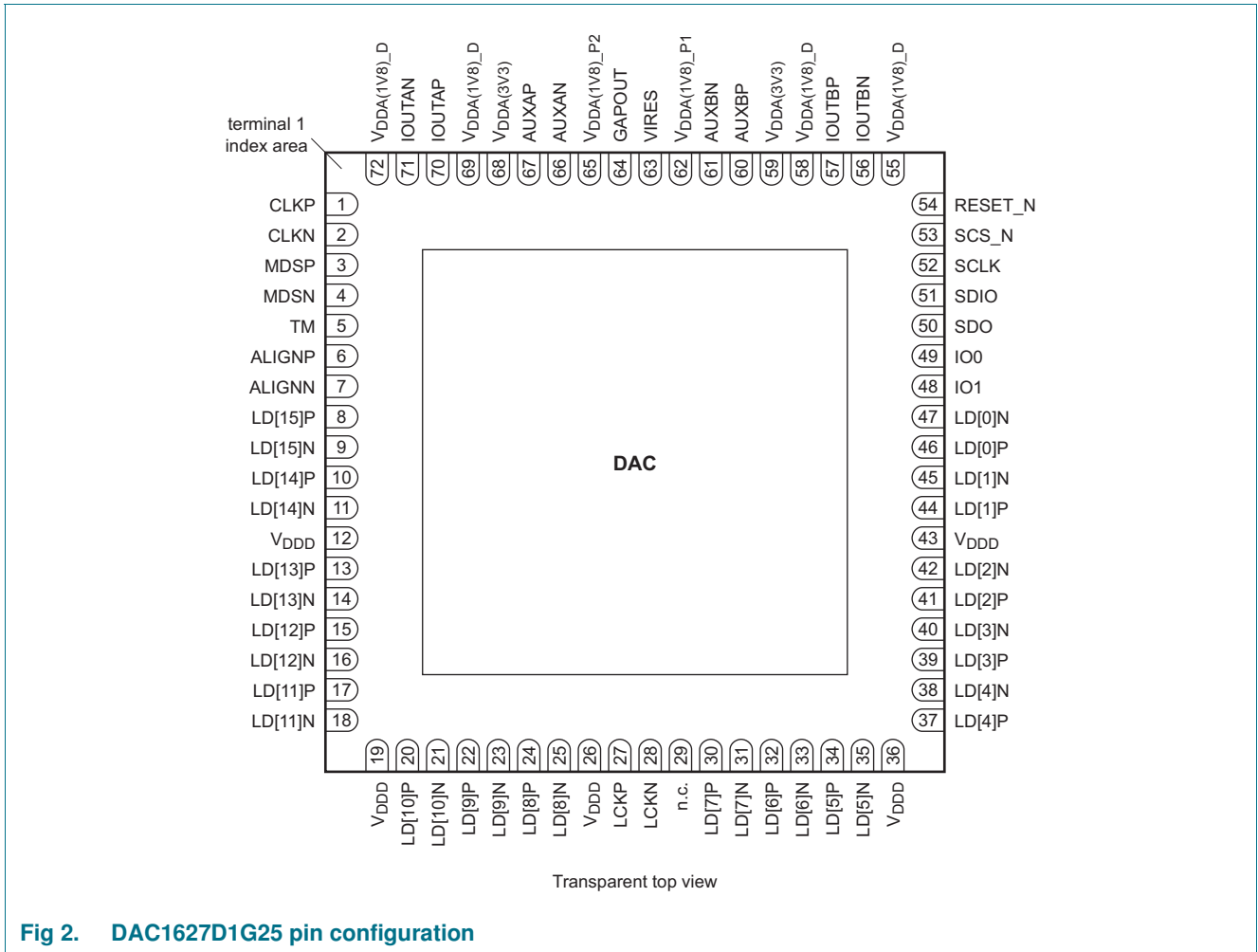


Fig 2. DAC1627D1G25 pin configuration

6.2 Pin description

Table 2. Pin description

Symbol	Pin	Type ^[1]	Description
CLKP	1	I	DAC clock positive input
CLKN	2	I	DAC clock negative input
MDSP	3	IO	multi-device synchronization positive signal
MDSN	4	IO	multi-device synchronization negative signal
TM	5	I	Test mode selection (connect to GND)
ALIGNP	6	I	positive input for data alignment
ALIGNN	7	I	negative input for data alignment
LD[15]P	8	I	LVDS positive input bit 15 ^[2]
LD[15]N	9	I	LVDS negative input bit 15 ^[2]

Table 2. Pin description ...continued

Symbol	Pin	Type ^[1]	Description
LD[14]P	10	I	LVDS positive input bit 14 ^[2]
LD[14]N	11	I	LVDS negative input bit 14 ^[2]
V _{DDD}	12	P	digital power supply
LD[13]P	13	I	LVDS positive input bit 13 ^[2]
LD[13]N	14	I	LVDS negative input bit 13 ^[2]
LD[12]P	15	I	LVDS positive input bit 12 ^[2]
LD[12]N	16	I	LVDS negative input bit 12 ^[2]
LD[11]P	17	I	LVDS positive input bit 11 ^[2]
LD[11]N	18	I	LVDS negative input bit 11 ^[2]
V _{DDD}	19	P	digital power supply
LD[10]P	20	I	LVDS positive input bit 10 ^[2]
LD[10]N	21	I	LVDS negative input bit 10 ^[2]
LD[9]P	22	I	LVDS positive input bit 9 ^[2]
LD[9]N	23	I	LVDS negative input bit 9 ^[2]
LD[8]P	24	I	LVDS positive input bit 8 ^[2]
LD[8]N	25	I	LVDS negative input bit 8 ^[2]
V _{DDD}	26	P	digital power supply
LCKP	27	I	LVDS positive data clock input
LCKN	28	I	LVDS negative data clock input
n.c.	29	-	not connected
LD[7]P	30	I	LVDS positive input bit 7 ^[2]
LD[7]N	31	I	LVDS negative input bit 7 ^[2]
LD[6]P	32	I	LVDS positive input bit 6 ^[2]
LD[6]N	33	I	LVDS negative input bit 6 ^[2]
LD[5]P	34	I	LVDS positive input bit 5 ^[2]
LD[5]N	35	I	LVDS negative input bit 5 ^[2]
V _{DDD}	36	P	digital power supply
LD[4]P	37	I	LVDS positive input bit 4 ^[2]
LD[4]N	38	I	LVDS negative input bit 4 ^[2]
LD[3]P	39	I	LVDS positive input bit 3 ^[2]
LD[3]N	40	I	LVDS negative input bit 3 ^[2]
LD[2]P	41	I	LVDS positive input bit 2 ^[2]
LD[2]N	42	I	LVDS negative input bit 2 ^[2]
V _{DDD}	43	P	digital power supply
LD[1]P	44	I	LVDS positive input bit 1 ^[2]
LD[1]N	45	I	LVDS negative input bit 1 ^[2]
LD[0]P	46	I	LVDS positive input bit 0 ^[2]
LD[0]N	47	I	LVDS negative input bit 0 ^[2]
IO1	48	IO	IO port bit 1
IO0	49	IO	IO port bit 0
SDO	50	O	SPI data output

Table 2. Pin description ...continued

Symbol	Pin	Type ^[1]	Description
SDIO	51	IO	SPI data input/output
SCLK	52	I	SPI clock
SCS_N	53	I	SPI chip select (active LOW)
RESET_N	54	I	general reset (active LOW)
V _{DDA(1V8)_D}	55	P	1.8 V analog power supply (DAC core)
IOUTBN	56	O	complementary DAC B output current
IOUTBP	57	O	DAC B output current
V _{DDA(1V8)_D}	58	P	1.8 V analog power supply (DAC core)
V _{DDA(3V3)}	59	P	3.3 V analog power supply
AUXBP	60	O	auxiliary DAC B output current
AUXBN	61	O	complementary auxiliary DAC B output current
V _{DDA(1V8)_P1}	62	P	1.8 V analog power supply (PLL)
VIRES	63	IO	DAC biasing resistor
GAPOUT	64	IO	band gap input/output voltage
V _{DDA(1V8)_P2}	65	P	1.8 V analog power supply (PLL)
AUXAN	66	O	complementary auxiliary DAC A output current
AUXAP	67	O	auxiliary DAC A output current
V _{DDA(3V3)}	68	P	3.3 V analog power supply
V _{DDA1V8_D}	69	P	1.8 V analog power supply (DAC core)
IOUTAP	70	O	DAC A output current
IOUTAN	71	O	complementary DAC A output current
V _{DDA(1V8)_D}	72	P	1.8 V analog power supply (DAC core)
GND	H	G	ground (exposed die pad)

[1] P: power supply; G: ground; I: input; O: output.

[2] The LVDS input data bus order can be reversed and each element can be swapped between P and N using dedicated registers (see [Table 60](#)).

7. Limiting values

Table 3. Limiting values

In accordance with the Absolute Maximum Rating System (IEC 60134).

Symbol	Parameter	Conditions	Min	Max	Unit
V _{DDA(3V3)}	analog supply voltage (3.3 V)		-0.5	+4.6	V
V _{DDD}	digital supply voltage		-0.5	+2.5	V
V _{DDA(1V8)}	analog supply voltage (1.8 V)		[1] -0.5	+2.5	V
V _I	input voltage	input pins referenced to GND	-0.5	+2.5	V
V _O	output voltage	pins IOUTAP, IOUTAN, IOUTBP, IOUTBN, AUXAP, AUXAN, AUXBP and AUXBN referenced to GND	-0.5	+4.6	V

Table 3. Limiting values ...continued*In accordance with the Absolute Maximum Rating System (IEC 60134).*

Symbol	Parameter	Conditions	Min	Max	Unit
T _{stg}	storage temperature		-55	+150	°C
T _{amb}	ambient temperature		-40	+85	°C
T _j	junction temperature		-40	+125	°C

[1] Connect the analog 1.8 V power supply to pins VDDA1V8_D, VDDA1V8_P1, and VDDA1V8_P2.

8. Thermal characteristics

Table 4. Thermal characteristics

Symbol	Parameter	Conditions	Typ	Unit
R _{th(j-a)}	thermal resistance from junction to ambient		[1] 16.2	K/W
R _{th(j-c)}	thermal resistance from junction to case		[1] 6.7	K/W

[1] Value for six-layer board in still air with a minimum of 49 thermal vias.

9. Characteristics

Table 5. Characteristics

$V_{DDA(1V8)} = 1.8\text{ V}$; $V_{DDD} = 1.8\text{ V}$; $V_{DDA(3V3)} = 3.3\text{ V}$; Typical values measured at $T_{amb} = +25\text{ °C}$; $R_L = 50\ \Omega$; $I_{O(fs)} = 20\text{ mA}$; maximum sample rate used; external PLL; no auxiliary DAC; no inverse sinus x/x; no output correction; output load condition defined in [Figure 42](#); output level = 1 V (p-p).

Symbol	Parameter	Conditions	Test ^[1]	Min	Typ	Max	Unit
$V_{DDA(3V3)}$	analog supply voltage (3.3 V)		C	3.15	3.3	3.45	V
V_{DDD}	digital supply voltage		C	1.7	1.8	1.9	V
$V_{DDA(1V8)}$	analog supply voltage (1.8 V)		C	[2] 1.7	1.8	1.9	V
$I_{DDA(3V3)}$	analog supply current (3.3 V)	Auxiliary DAC on	C	51	55	59	mA
I_{DDD}	digital supply current	$f_s = 983.04\text{ Msps}$; $\times 4$ interpolation; no NCO; MDS off	C	475	525	585	mA
		$f_s = 620\text{ Msps}$; $\times 2$ interpolation; NCO on; no MDS	C	400	450	500	mA
$I_{DDA(1V8)}$	analog supply current (1.8 V)	$f_s = 983.04\text{ Msps}$; 1 V (p-p)	C	[2] 207	218	230	mA
		$f_s = 620\text{ Msps}$; 1 V (p-p)	C	207	218	230	mA
P_{tot}	total power dissipation	$f_s = 1228.8\text{ Msps}$; $\times 4$ interpolation; 5-bit NCO; MDS off	C	-	1730	-	mW
		$f_s = 983.04\text{ Msps}$; $\times 4$ interpolation; 5-bit NCO; MDS off	C	-	1580	-	mW
		$f_s = 983.04\text{ Msps}$; $\times 4$ interpolation; NCO off; MDS off	C	-	1500	-	mW
		$f_s = 620\text{ Msps}$; $\times 2$ interpolation; 5-bit NCO; MDS off	-	-	1370	-	mW
		power-down using SPI register	C	-	63	-	mW

Clock inputs (pins CLKP, CLKN)

$V_{i(\text{clk})\text{dif}}$	differential clock input voltage	peak-to-peak	C	150	-	1000	mV
R_i	input resistance		D	-	200	-	k Ω
C_i	input capacitance		D	-	1	-	pF

Table 5. Characteristics ...continued

$V_{DDA(1V8)} = 1.8\text{ V}$; $V_{DDD} = 1.8\text{ V}$; $V_{DDA(3V3)} = 3.3\text{ V}$; Typical values measured at $T_{amb} = +25\text{ °C}$; $R_L = 50\text{ }\Omega$; $I_{O(fs)} = 20\text{ mA}$; maximum sample rate used; external PLL; no auxiliary DAC; no inverse sinus x/x; no output correction; output load condition defined in [Figure 42](#); output level = 1 V (p-p).

Symbol	Parameter	Conditions	Test ^[1]	Min	Typ	Max	Unit
Digital inputs (pins LD[15]P to LD[0]P, LD[15]N to LD[0]N, LCKP and LCKN, ALIGNP and ALIGNN)							
V_i	input voltage	$ V_{gpdl} < 50\text{ mV}$ ^[3]	C	825	-	1575	mV
V_{idth}	input differential threshold voltage	$ V_{gpdl} < 50\text{ mV}$ ^[3]	C	-100	-	+100	mV
R_i	input resistance		D	-	100	-	Ω
C_i	input capacitance		D	-	0.8	-	pF
		pins LCKP and LCKN	D	-	0.9	-	pF
Digital inputs/outputs (pins MDSN, MDSP)							
$V_{o(dif)(p-p)}$	peak-to-peak differential output voltage		C	-	500	-	mV
C_i	input capacitance	between GND and pin MDSN or MDSP	D	-	0.6	-	pF
R_i	input resistance		D	-	100	-	Ω
V_i	input voltage	$ V_{gpdl} < 50\text{ mV}$ ^[3]	C	825	-	1575	mV
V_{idth}	input differential threshold voltage	$ V_{gpdl} < 50\text{ mV}$ ^[3]	C	-100	-	+100	mV
Digital inputs/outputs (pins IO0, IO1, SDO, SDIO, SCLK, SCS_N, RESET_N)							
V_{IL}	LOW-level input voltage		C	GND	-	$0.3V_{DDD}$	V
V_{IH}	HIGH-level input voltage		C	$0.7V_{DDD}$	-	V_{DDD}	V
V_{OL}	LOW-level output voltage	pins IO0, IO1, SDO, and SDIO	C	GND	-	$0.1V_{DDD}$	V
V_{OH}	HIGH-level output voltage	pins IO0, IO1, SDO, and SDIO	C	$0.9V_{DDD}$	-	V_{DDD}	V
I_{IL}	LOW-level input current	maximum V_{IL}	I	-10	-	+10	μA
I_{IH}	HIGH-level input current	minimum V_{IH}	I	-10	-	+10	μA
C_i	input capacitance		D	-	2.2	-	pF

Table 5. Characteristics ...continued

$V_{DDA(1V8)} = 1.8\text{ V}$; $V_{DDD} = 1.8\text{ V}$; $V_{DDA(3V3)} = 3.3\text{ V}$; Typical values measured at $T_{amb} = +25\text{ °C}$; $R_L = 50\text{ }\Omega$; $I_{O(fs)} = 20\text{ mA}$; maximum sample rate used; external PLL; no auxiliary DAC; no inverse sinus x/x; no output correction; output load condition defined in [Figure 42](#); output level = 1 V (p-p).

Symbol	Parameter	Conditions	Test ^[1]	Min	Typ	Max	Unit
Analog outputs (pins IOUTAP, IOUTAN, IOUTBP, IOUTBN)							
I_{bias}	bias current	DC current	D	-	2.5	-	mA
$I_{O(fs)}$	full-scale output current	controlled by the analog GAIN registers (see Table 33)	D	8.1	-	34	mA
		default value	D	-	20	-	mA
V_O	output voltage	compliance range	D	2.3	-	$V_{DDA(3V3)}$	V
$V_{O(cm)}$	common-mode output voltage	1 V (p-p) DAC output configuration	D	-	3	-	V
		2 V (p-p) DAC output configuration	D	-	2.8	-	V
R_o	output resistance		D	-	250	-	k Ω
C_o	output capacitance	between pins OUTAN and OUTBN and pins OUTAP and OUTBP	D	-	5	-	pF
Reference voltage output (pin GAPOUT)							
$V_{O(ref)}$	reference output voltage	$T_{amb} = +25\text{ °C}$	I	-	1.21	-	V
$I_{O(ref)}$	reference output current	1.25 V external voltage	D	-	40	-	μ A
Analog auxiliary outputs (pins AUXAP, AUXAN, AUXBP and AUXBN)							
$I_{O(fs)}$	full-scale output current	auxiliary DAC A; differential outputs	I	-	3.1	-	mA
		auxiliary DAC B; differential outputs	I	-	3.1	-	mA
$V_{O(aux)}$	auxiliary output voltage	compliance range	D	0	-	2.3	V
LVDS input timing							
f_{data}	data rate	$f_{s(max)}$ specification must be respected ($f_s = f_{data} \times \text{interpolation factor}$)	C	-	-	400	MHz
$t_{sk(clk-D)}$	skew time from clock to data input	$f_{DATA} = 184.32\text{ Mhz}$	C	800	-	830	ps
		$f_{DATA} = 245.76\text{ MHz}$	C	500	-	675	ps
		$f_{DATA} = 307.2\text{ MHz}$	C	300	-	520	ps
		$f_{DATA} = 368.64\text{ MHz}$	C	150	-	500	ps

Table 5. Characteristics ...continued

$V_{DDA(1V8)} = 1.8\text{ V}$; $V_{DDD} = 1.8\text{ V}$; $V_{DDA(3V3)} = 3.3\text{ V}$; Typical values measured at $T_{amb} = +25\text{ }^{\circ}\text{C}$; $R_L = 50\text{ }\Omega$; $I_{O(fs)} = 20\text{ mA}$; maximum sample rate used; external PLL; no auxiliary DAC; no inverse sinus x/x; no output correction; output load condition defined in [Figure 42](#); output level = 1 V (p-p).

Symbol	Parameter	Conditions	Test ^[1]	Min	Typ	Max	Unit
t_{su}	set-up time	manual tuning mode (see Figure 29); depends on LDCLK_DEL[3:0]					
		0000	C	-300	-	-	ps
		0001	C	-365	-	-	ps
		0010	C	-440	-	-	ps
		0011	C	-520	-	-	ps
		0100	C	-590	-	-	ps
		0101	C	-675	-	-	ps
		0110	C	-750	-	-	ps
		0111	C	-830	-	-	ps
		1000	C	-845	-	-	ps
		1001	C	-845	-	-	ps
		1010	C	-1000	-	-	ps
		1011	C	-1100	-	-	ps
		1100	C	-1220	-	-	ps
		1101	C	-1290	-	-	ps
		1110	C	-1360	-	-	ps
1111	C	-1450	-	-	ps		
t_{hold}	hold time	manual tuning mode (see Figure 28); depends on LDCLK_DEL[3:0]:					
		0000	C	790	-	-	ps
		0001	C	870	-	-	ps
		0010	C	950	-	-	ps
		0011	C	1055	-	-	ps
		0100	C	1140	-	-	ps
		0101	C	1230	-	-	ps
		0110	C	1360	-	-	ps
		0111	C	1460	-	-	ps
		1000	C	1900	-	-	ps
		1001	C	2075	-	-	ps
		1010	C	2250	-	-	ps
		1011	C	2400	-	-	ps
		1100	C	2560	-	-	ps
		1101	C	2740	-	-	ps
		1110	C	2900	-	-	ps
1111	C	3000	-	-	ps		

Table 5. Characteristics ...continued

$V_{DDA(1V8)} = 1.8\text{ V}$; $V_{DDD} = 1.8\text{ V}$; $V_{DDA(3V3)} = 3.3\text{ V}$; Typical values measured at $T_{amb} = +25\text{ }^{\circ}\text{C}$; $R_L = 50\text{ }\Omega$; $I_{O(f_s)} = 20\text{ mA}$; maximum sample rate used; external PLL; no auxiliary DAC; no inverse sinus x/x; no output correction; output load condition defined in [Figure 42](#); output level = 1 V (p-p).

Symbol	Parameter	Conditions	Test ^[1]	Min	Typ	Max	Unit
DAC output timing							
$f_{s(max)}$	maximum sampling rate		C	1250	-	-	MspS
t_s	settling time	to ± 0.5 LSB	D	-	20	-	ns
Internal PLL timing							
f_s	sampling rate		D	50	-	1000	MspS
40-bit NCO frequency range; $f_s = 1000$ MspS							
f_{NCO}	NCO frequency	two's complement coding					
		register value = 8000000000h	D	-	-500	-	MHz
		register value = FFFFFFFFh	D	-	-0.9095	-	mHz
		register value = 0000000000h	D	-	0	-	Hz
		register value = 000000001h	D	-	+0.9095	-	mHz
		register value = 7FFFFFFFh	D	-	+499.99909	-	MHz
f_{step}	step frequency		D	-	0.9095	-	mHz
Low-power NCO frequency range; $f_s = 1000$ MHz							
f_{NCO}	NCO frequency	two's complement coding					
		register value = F800000000h	D	-	-500	-	MHz
		register value = F800000000h	D	-	-31.25	-	MHz
		register value = 0000000000h	D	-	0	-	Hz
		register value = 0800000000h	D	-	+31.25	-	MHz
		register value = 7FFFFFFFh	D	-	+468.75	-	MHz
f_{step}	step frequency		D	-	31.25	-	MHz
Dynamic performance							
SFDR	spurious-free dynamic range	$f_{data} = 184.32\text{ MHz}$; $f_s = 737.28\text{ MspS}$; $BW = f_s / 2$	I	-	85.5	-	dBc
		$f_o = 20\text{ MHz at } -1\text{ dBFS}$					
SFDR	spurious-free dynamic range	$f_{data} = 245.76\text{ MHz}$; $f_s = 983.04\text{ MspS}$; $BW = f_s / 2$	I	-	85.5	-	dBc
		$f_o = 20\text{ MHz at } -1\text{ dBFS}$					

Table 5. Characteristics ...continued

$V_{DDA(1V8)} = 1.8\text{ V}$; $V_{DDD} = 1.8\text{ V}$; $V_{DDA(3V3)} = 3.3\text{ V}$; Typical values measured at $T_{amb} = +25\text{ °C}$; $R_L = 50\ \Omega$; $I_{O(fs)} = 20\text{ mA}$; maximum sample rate used; external PLL; no auxiliary DAC; no inverse sinus x/x; no output correction; output load condition defined in [Figure 42](#); output level = 1 V (p-p).

Symbol	Parameter	Conditions	Test ^[1]	Min	Typ	Max	Unit
SFDR _{RBW}	restricted bandwidth spurious-free dynamic range	$f_{data} = 245.76\text{ MHz}$; $f_s = 983.04\text{ Msps}$; $f_o = 147\text{ MHz}$					
		BW = 100 MHz	I	-	90	-	dBc
		BW = 180 MHz	I	-	91	-	dBc
		$f_{data} = 307.2\text{ MHz}$; $f_s = 1228.8\text{ Msps}$; $f_o = 158.6\text{ MHz}$					
		BW = 100 MHz	I	-	88	-	dBc
		BW = 180 MHz	I	-	91	-	dBc
IMD3	third-order intermodulation distortion	$f_{data} = 245.76\text{ MHz}$; $f_s = 983.04\text{ Msps}$; $f_{o1} = 20\text{ MHz}$; $f_{o2} = 21\text{ MHz}$; ×4 interpolation; output level = -1 dBFS	C	-	> 95	-	dBc
		$f_{data} = 245.76\text{ MHz}$; $f_s = 983.04\text{ Msps}$; $f_{o1} = 152\text{ MHz}$; $f_{o2} = 155.1\text{ MHz}$; ×4 interpolation; output level = -1 dBFS	I	-	85	-	dBc
ACPR	adjacent channel power ratio	with WCDMA pattern; $f_s = 1228.8\text{ Msps}$; ×4 interpolation; $f_{NCO} = 153.6\text{ MHz}$					
		1 carrier; BW = 5 MHz	C	-	81.5	-	dBc
		2 carriers; BW = 10 MHz	C	-	76.5	-	dBc
		4 carriers; BW = 20 MHz	C	-	73	-	dBc
		with WCDMA pattern; $f_s = 983.04\text{ Msps}$; ×4 interpolation; $f_{NCO} = 40\text{ MHz}$					
		4 carriers; BW = 20 MHz	C	-	73.5	-	dBc

Table 5. Characteristics ...continued

$V_{DDA(1V8)} = 1.8\text{ V}$; $V_{DDD} = 1.8\text{ V}$; $V_{DDA(3V3)} = 3.3\text{ V}$; Typical values measured at $T_{amb} = +25\text{ °C}$; $R_L = 50\ \Omega$; $I_{O(fs)} = 20\text{ mA}$; maximum sample rate used; external PLL; no auxiliary DAC; no inverse sinus x/x; no output correction; output load condition defined in [Figure 42](#); output level = 1 V (p-p).

Symbol	Parameter	Conditions	Test ^[1]	Min	Typ	Max	Unit
$\alpha_{isol(ch-ch)}$	isolation between channels	$f_s = 1228.8\text{ Msps}$; $\times 4$ interpolation; $f_{out} = 10\text{ MHz}$; NCO = off; level = 0.1 dBFS; both DAC channels enabled	C	-	110	-	dBc
		$f_s = 1228.8\text{ Msps}$; $\times 4$ interpolation; $f_{out} = 83\text{ MHz}$; NCO = off; level = 0.1 dBFS; both DAC channels enabled	C	-	95	-	dBc
		$f_s = 1228.8\text{ Msps}$; $\times 4$ interpolation; $f_{out} = 210\text{ MHz}$; NCO = on; level = 0.1 dBFS; one DAC channel enabled; one DAC channel disabled	C	-	81	-	dBc
NSD	noise spectral density	$f_s = 983.04\text{ Msps}$; $\times 4$ interpolation; $f_o = 20\text{ MHz}$ at -1 dBFS	D	-	-166	-	dBm/Hz
		$f_s = 983.04\text{ Msps}$; $\times 4$ interpolation; $f_o = 153.6\text{ MHz}$ at -1 dBFS	D	-	-164	-	dBm/Hz

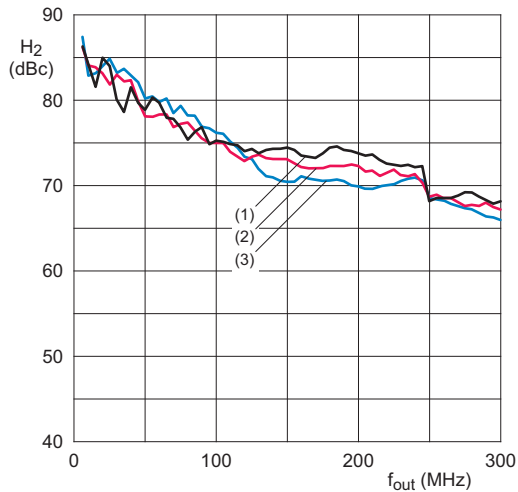
[1] D = guaranteed by design; C = guaranteed by characterization; I = 100 % industrially tested.

[2] Connect $V_{DDA(1V8)_D}$, $V_{DDA(1V8)_P1}$ and $V_{DDA(1V8)_P2}$ to the same 1.8 V analog power supply. Use dedicated filters for the three power pins.

[3] $|V_{gpd}|$ represents the ground potential difference voltage. This voltage is the result of current flowing through the finite resistance and the inductance between the receiver and the driver circuit ground voltages.

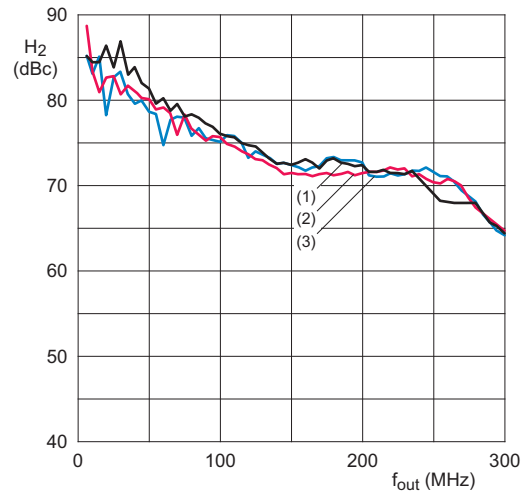
10. Typical characteristics

Typical measurement done at $T_{amb} = +25\text{ }^{\circ}\text{C}$ in typical power supply condition, $I_{O(fs)} = 20\text{ mA}$, external PLL, no auxiliary DAC, no inverse (sinus x) / x , and no output correction. The output load condition defined in [Figure 42](#). All graphs are based on average measurements using several devices.



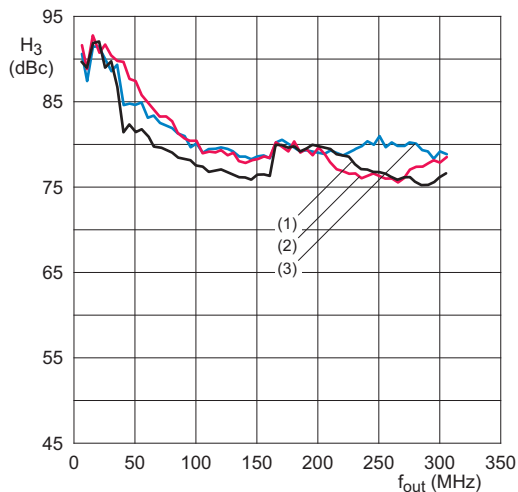
- (1) 0 dBFS
- (2) -7 dBFS
- (3) -10 dBFS

Fig 3. Second harmonic distortion versus output frequency over input scale at $f_s = 983.04\text{ MHz}$



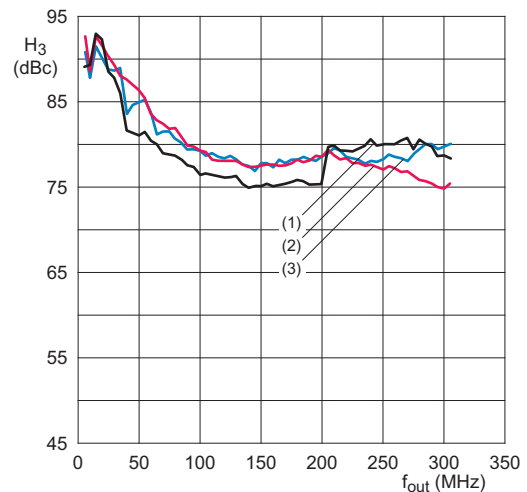
- (1) 0 dBFS
- (2) -7 dBFS
- (3) -10 dBFS

Fig 4. Second harmonic distortion versus output frequency over input scale at $f_s = 1228.8\text{ MHz}$



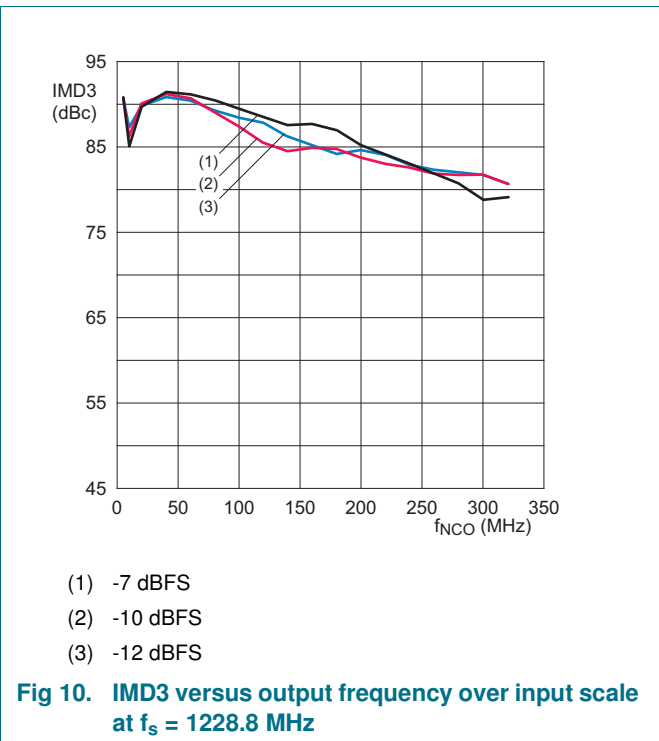
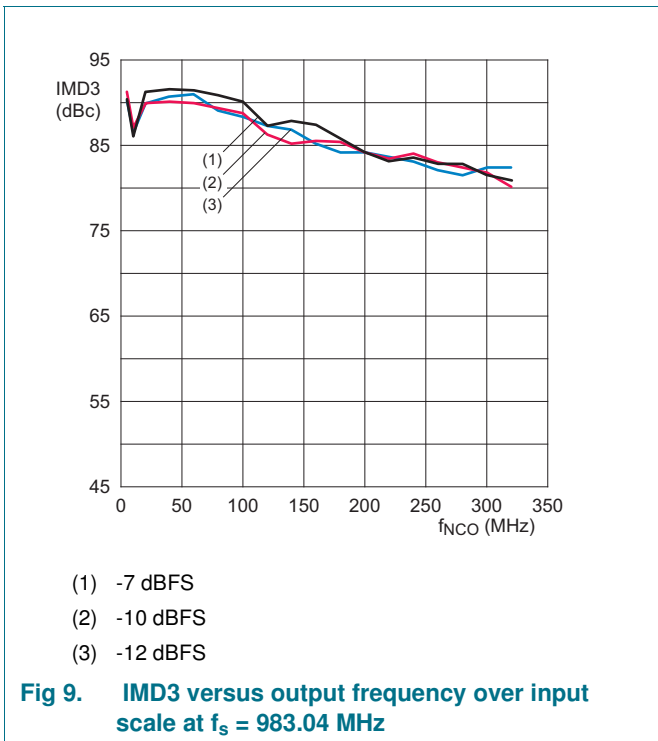
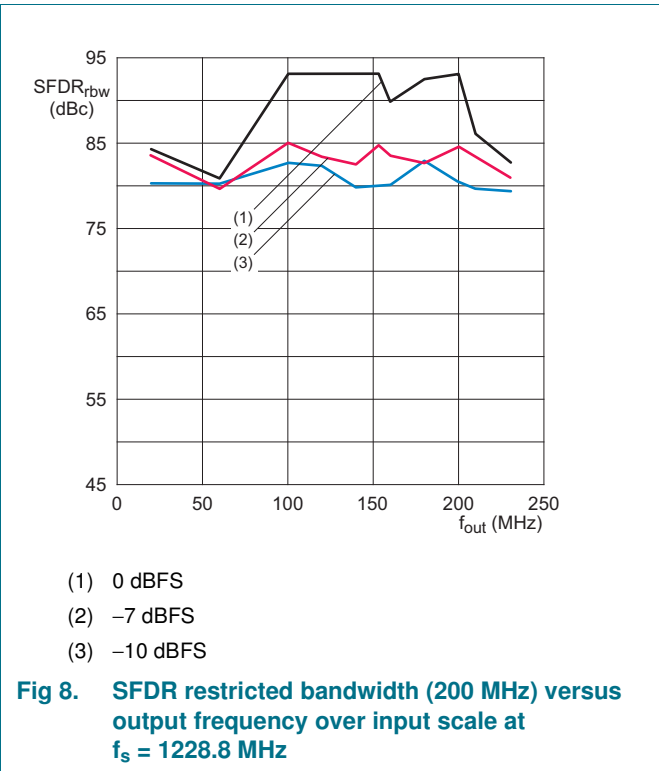
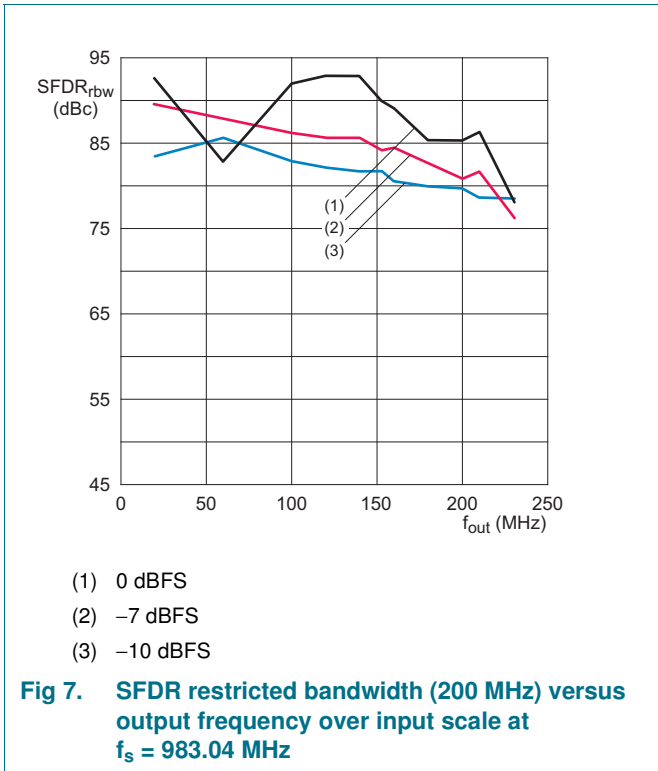
- (1) 0 dBFS
- (2) -7 dBFS
- (3) -10 dBFS

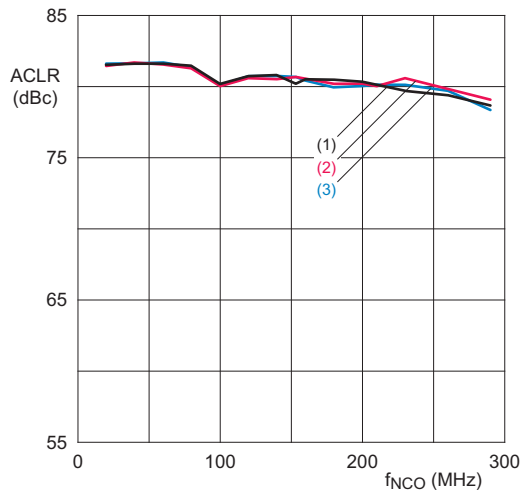
Fig 5. Third harmonic distortion versus output frequency over input scale at $f_s = 983.04\text{ MHz}$



- (1) 0 dBFS
- (2) -7 dBFS
- (3) -10 dBFS

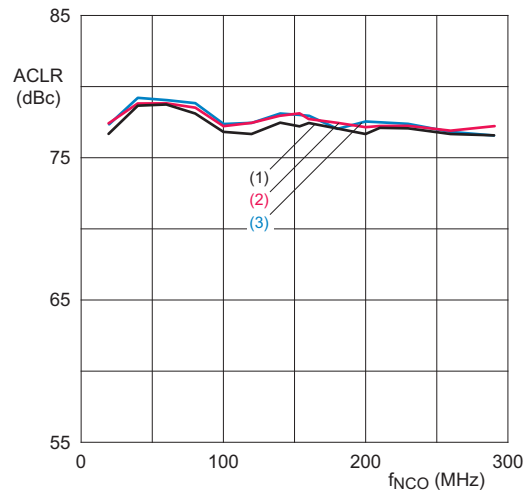
Fig 6. Third harmonic distortion versus output frequency over input scale at $f_s = 1228.8\text{ MHz}$





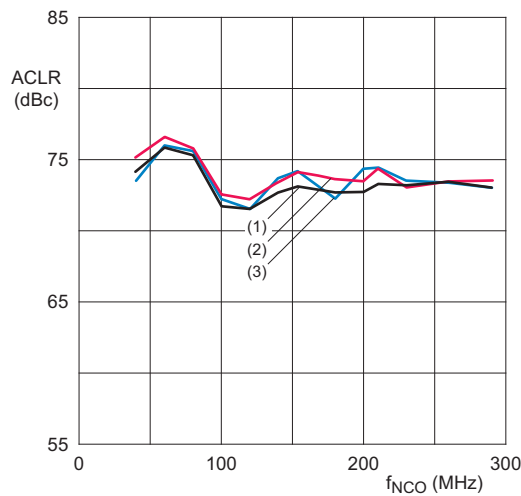
- (1) $f_s = 1228.8$ Msps
- (2) $f_s = 983$ Msps
- (3) $f_s = 737$ Msps

Fig 11. One carrier ACLR as a function of output frequency (f_{out}) over sampling frequency (f_s)



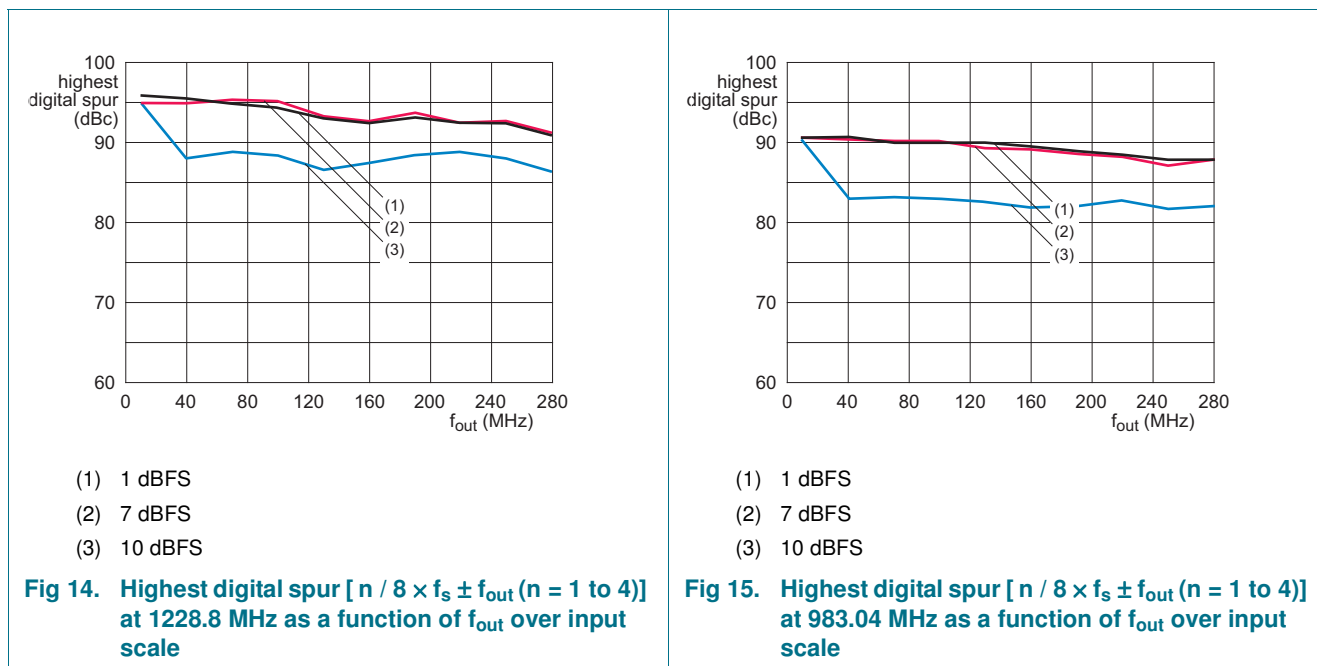
- (1) $f_s = 1228.8$ Msps
- (2) $f_s = 983$ Msps
- (3) $f_s = 737$ Msps

Fig 12. Two carriers ACLR as a function of output frequency (f_{out}) over sampling frequency (f_s)



- (1) $f_s = 1228.8$ Msps
- (2) $f_s = 983$ Msps
- (3) $f_s = 737$ Msps

Fig 13. Four carriers ACLR as a function of output frequency (f_{out}) over sampling frequency (f_s)



11. Application information

11.1 General description

The DAC1627D1G25 is a dual 16-bit DAC operating up to 1250 Msps. Each DAC consists of a segmented architecture, comprising a 6-bit thermometer subDAC and a 10-bit binary weighted subDAC.

A maximum input LVDS DDR data rate of up to 400 MHz and a maximum output sampling rate of 1250 Msps ensure more flexibility for wide bandwidth and multi-carrier systems. The internal 40-bit NCO of the DAC1627D1G25 simplifies the frequency selection of the system. The DAC1627D1G25 provides x2, x4 or x8 interpolation filters that are useful for removing the undesired images.

Each DAC generates two complementary current outputs on pins IOUTAP and IOUTAN and pins IOUTBP and IOUTBN. These outputs provide a full-scale output current ($I_{O(fs)}$) of up to 34 mA. An internal reference is available for the reference current which is externally adjustable using pin VIRES.

High resolution internal gain, phase and offset control provide outstanding image and Local Oscillator (LO) signal rejection at the system analog modulator output.

Multiple device synchronization enables synchronization of the outputs of multiple DAC devices. MDS guarantees a maximum skew of one output clock period between several devices.

All functions can be set using an SPI interface.

11.2 Serial Peripheral Interface (SPI)

11.2.1 Protocol description

The DAC1627D1G25 serial interface is a synchronous serial communication port ensures easy interface with many industry microprocessors. It provides access to the registers that define the operating modes of the chip in both write and read mode.

This interface can be configured as a 3-wire type (pin SDIO as bidirectional pin) or 4-wire type (pins SDIO and SDO as unidirectional pins, input and output port, respectively). In both configurations, SCLK acts as the serial clock and SCS_N as the serial chip select.

Figure 16 shows the SPI protocol. An SCS_N signal follows each read/write operation. A LOW assertion to drive the chip with 2 bytes to 5 bytes, depending on the content of the instruction byte (see Table 7) enables the read/write operation.

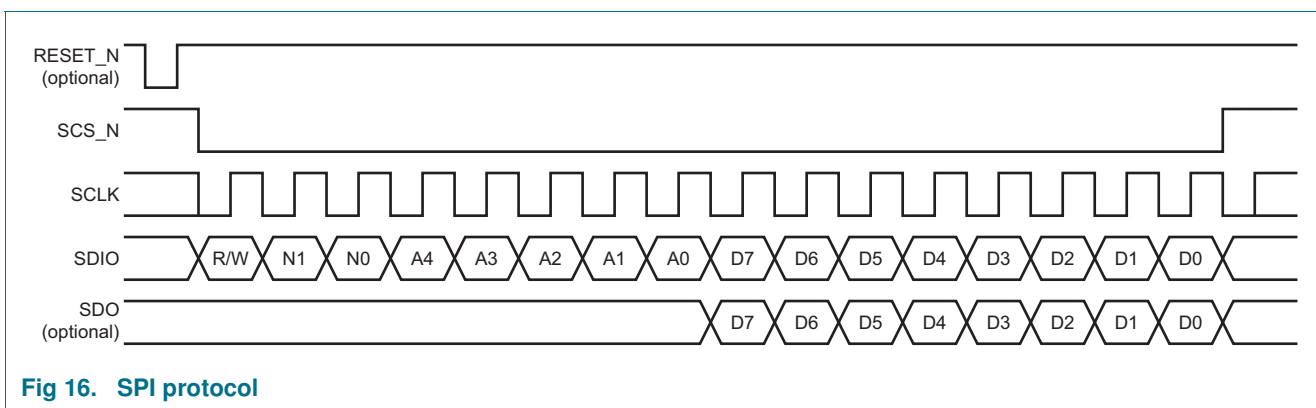


Fig 16. SPI protocol

R/W indicates the mode access (see Table 6)

Table 6. Read or Write mode access description

R/W	Description
0	Write mode operation
1	Read mode operation

Table 7 shows the number of bytes to be transferred. N1 and N0 indicate the number of bytes transferred after the instruction byte.

Table 7. Number of bytes to be transferred

N1	N0	Number of bytes transferred
0	0	1 byte
0	1	2 bytes
1	0	3 bytes
1	1	4 bytes

A[4:0] indicates which register is being addressed. If a multiple transfer occurs, this address concerns the first register. Other registers follow directly in a decreasing order (see Table 21, Table 35 and Table 53).

The DAC1627D1G25 incorporates more than the 32 SPI registers allowed by the address value A[4:0]. It uses three SPI register pages (page_00, page_01, and page_0A), each containing 32 registers. The 32nd register of each page indicates which page is currently addressed (00h, 01h or 0Ah).

11.2.2 SPI timing description

The SPI interface can operate at a frequency up to 25 MHz. The SPI timings are shown in [Figure 17](#).

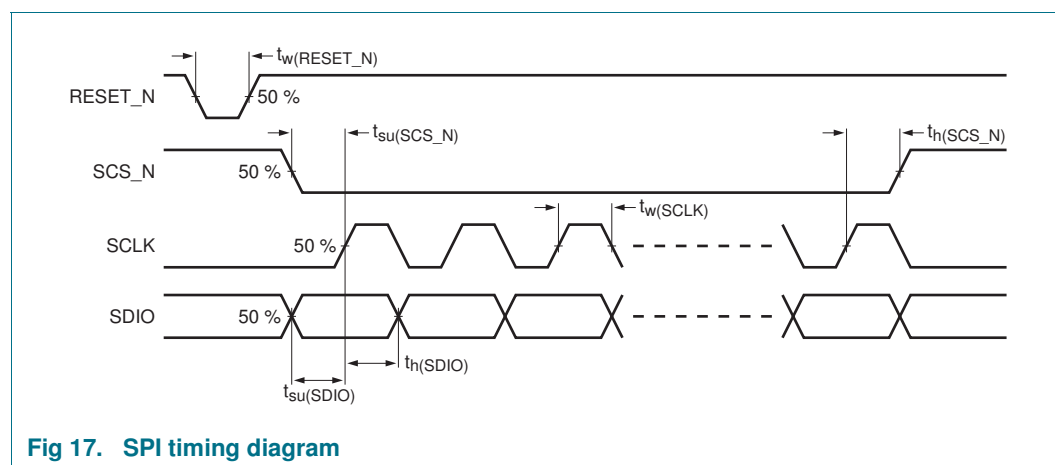


Fig 17. SPI timing diagram

The SPI timing characteristics are given in [Table 8](#).

Table 8. SPI timing characteristics

Symbol	Parameter	Min	Typ	Max	Unit
f_{SCLK}	SCLK frequency	-	-	25	MHz
$t_w(\text{SCLK})$	SCLK pulse width	30	-	-	ns
$t_{su}(\text{SCS_N})$	SCS_N set-up time	20	-	-	ns
$t_h(\text{SCS_N})$	SCS_N hold time	20	-	-	ns
$t_{su}(\text{SDIO})$	SDIO set-up time	10	-	-	ns
$t_h(\text{SDIO})$	SDIO hold time	5	-	-	ns
$t_w(\text{RESET_N})$	RESET_N pulse width	30	-	-	ns

11.3 Power-on sequence

There are three steps for the power-on sequence (see [Figure 18](#)):

1. The board is power-on. At the turn-on time, all DAC1627D1G25 supplies have reached their specification ranges.
2. At least 1 μs after the turn-on time pin RESET_N must be released.

- When the DAC clock and LVDS clock are stable, the SPI configuration is sent to the DAC1627D1G25. Writing 0 in bits RST_DCLK and RST_LCLK of the register MAIN_CNTRL (see [Table 54](#)) starts the automatic calibration. 30 μ s after this calibration, the DAC1627D1G25 is operational.

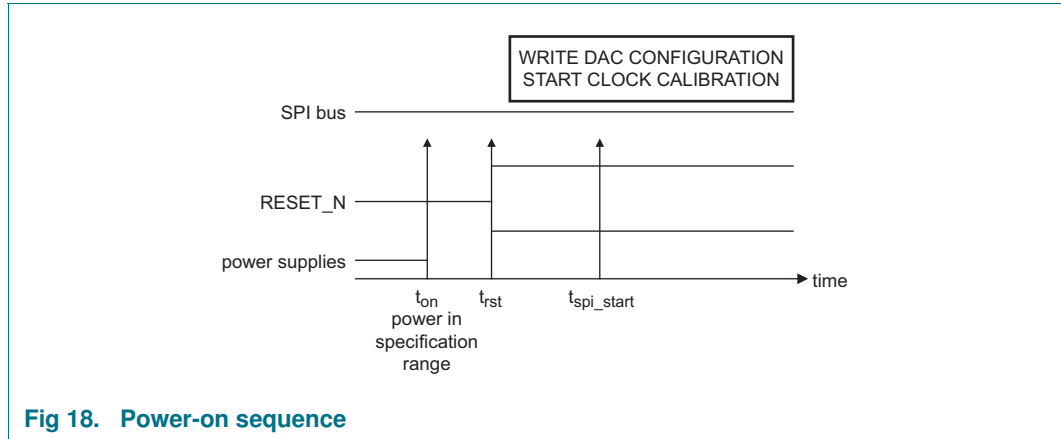


Fig 18. Power-on sequence

11.4 LVDS Data Input Format (DIF) block

The Data Input Formatting (DIF) block captures and resynchronizes data on the LVDS bus with its own LCLKP/LCLKN clock. Each LVDS input buffer has an internal resistance of 100 Ω , so an external resistor is not required. The DIF block includes two subblocks:

- LVDS receiver:**

Provides high flexibility for the LVDS interface, especially for the Printed-Circuit Board (PCB) layout and the control of the input port polarity and the input port mapping.

- Data format block:**

Enables the adaptation, which ensures the support of several data encoding modes.

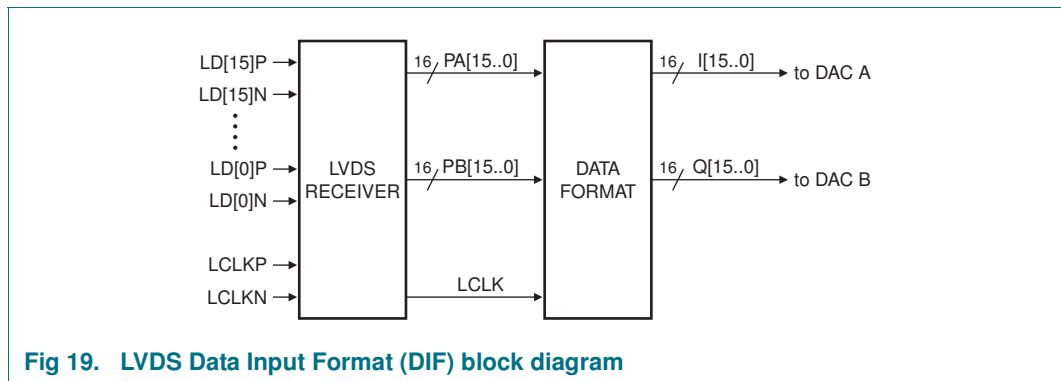


Fig 19. LVDS Data Input Format (DIF) block diagram

11.4.1 Input port polarity

The polarity of each individual LVDS input (LD[15]P to LD[0]P and LD[15]N to LD[0]N) can be changed, ensuring a much easier PCB layout design. The input polarity is controlled with bits LD_POL[15:0] (see [Table 59](#)).

11.4.2 Input port mapping

Inverting the order of the LSB and the MSB of the LVDS bus using bit WORD_SWAP in register LD_CNTRL (see [Table 60](#)) also simplifies the design of the PCB (see [Table 9](#)).

Table 9. Input LVDS bus swapping

Internal LVDS bus	External LVDS bus (WORD_SWAP = 0)	External LVDS bus (WORD_SWAP = 1)
LDI[15]P,N	LD[15]P,N	LD[0]P,N
LDI[14]P,N	LD[14]P,N	LD[1]P,N
LDI[13]P,N	LD[13]P,N	LD[2]P,N
LDI[12]P,N	LD[12]P,N	LD[3]P,N
LDI[11]P,N	LD[11]P,N	LD[4]P,N
LDI[10]P,N	LD[10]P,N	LD[5]P,N
LDI[9]P,N	LD[9]P,N	LD[6]P,N
LDI[8]P,N	LD[8]P,N	LD[7]P,N
LDI[7]P,N	LD[7]P,N	LD[8]P,N
LDI[6]P,N	LD[6]P,N	LD[9]P,N
LDI[5]P,N	LD[5]P,N	LD[10]P,N
LDI[4]P,N	LD[4]P,N	LD[11]P,N
LDI[3]P,N	LD[3]P,N	LD[12]P,N
LDI[2]P,N	LD[2]P,N	LD[13]P,N
LDI[1]P,N	LD[1]P,N	LD[14]P,N
LDI[0]P,N	LD[0]P,N	LD[15]P,N

11.4.3 Input port swapping

The LVDS DDR receiver block internally maps the incoming LVDS data bus into two buses with a single data rate ([Figure 20](#)).

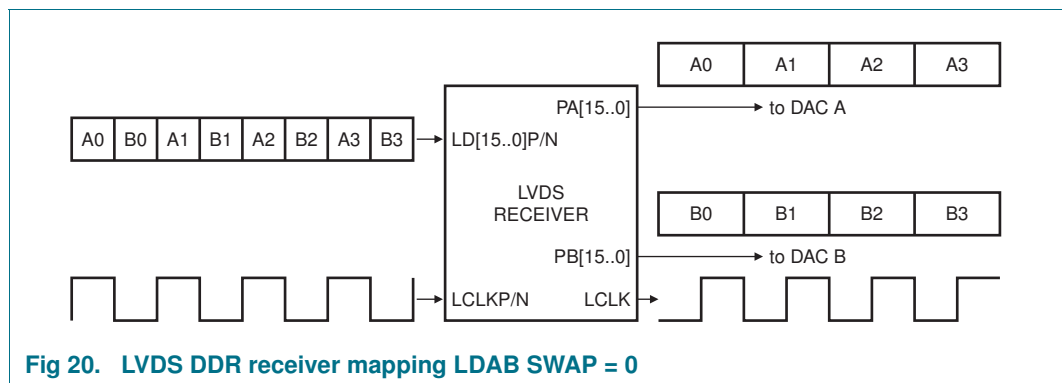


Fig 20. LVDS DDR receiver mapping LDAB SWAP = 0

These two buses can be swapped internally using bit LDAB_SWAP of register LD_CNTRL (see [Table 60](#) and [Figure 21](#)).

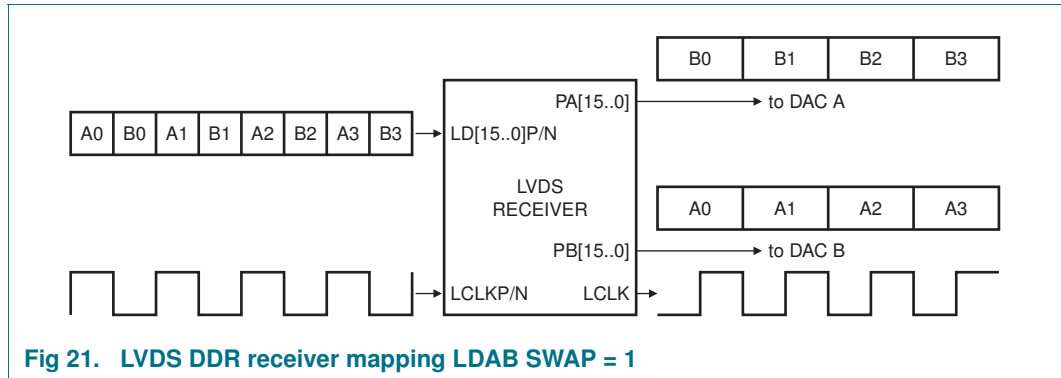


Fig 21. LVDS DDR receiver mapping LDAB SWAP = 1

11.4.4 Input port formatting

The LVDS DDR input bus multiplexes two 16-bit streams. The LVDS receiver block demultiplexes these two streams.

The two streams can carry two data formats:

- Folded
- Interleaved

The data format block is in charge of the data format adaptation (see [Figure 22](#)).

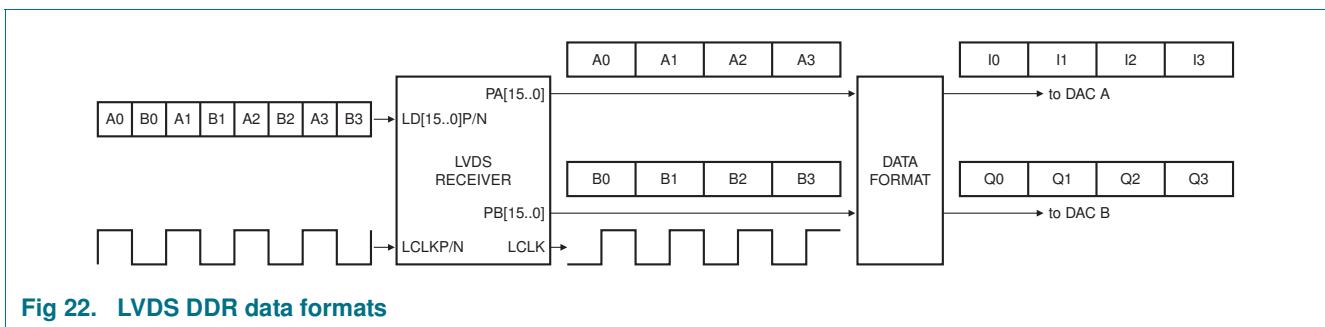


Fig 22. LVDS DDR data formats

The DAC1627D1G25 can correctly decode the input stream using bit IQ_FORMAT of register LD_CNTRL (see [Table 60](#)), because it can determine which format is used on the LVDS DDR bus.

[Table 10](#) shows the format mapping between the LVDS input data and the data sent to the two DAC channels depending on the data format selected.

Table 10. Folded and interleaved format mapping

Data format	Data bit mapping
interleaved format (IQ_FORMAT = 1)	In[15..0] = An[15..0]; Qn[15..0] = Bn[15..0]
folded format (IQ_FORMAT = 0)	In[15..8] = An[15..8]; In[7..0] = Bn[15..8] Qn[15..8] = An[7..0]; Qn[7..0] = Bn[7..0]

11.4.5 Data parity/data enable

The ALIGN pins can be used in several ways:

- As datastream start flag for Multiple Devices Synchronization (see [Section 11.13](#)).
- As LVDS data enable which can be used to insert a DC level into the datastream. The SEL_EN bits in register LD_CNTRL (see [Table 60](#)) enable the programming of this mode. The DC level for both channels is selected using registers I_DC_LVL and Q_DC_LVL (see [Table 62](#)).
- As parity bit for the LD[15:0] to detect disruptions at the LVDS-input port bit PARITYC in register LD_CNTRL (see [Table 60](#)) enabling the control of this mode. A Parity error can generate an interrupt (INTR) reported on either IO0 or IO1 pin

11.5 Interrupt controller

The DAC1627D1G25 incorporates an interrupt controller that makes notifying a host-controller in case of an internal event. The INTR-signal can be made available on one of the IO pins. The polarity on the IO pins is programmable.

The internal event that must be tracked and generates an interrupt can be selected using the INTR_EN register (see [Table 45](#)). Two types of interrupt sources are considered:

- The ready-indicators (MAQ_RDY_B, MAQ_RDY_A, AUTO_CAL_RDY, and AUTO_DL_RDY; register INTR_FLAGS; see [Table 47](#)) notify the host-interface that the corresponding process (invoked by the host interface) has been finalized
- The error flags indicate that a failure has been detected. For example, on the LVDS-interface it is possible to check for parity errors and/or to monitor if the internal timing of the LVDS clock delay has changed since the calibration. Errors like these can result in critical timings within the Clock Domain Interface (CDI) which transfers the data from the LCLK to the DCLK domain

The selected event that has invoked the interrupt can be determined using the INTR_FLAGS register (see [Table 47](#)). The flags and the INTR signal are reinitialized by setting the INTR_CLEAR control bit in register INTR_CTRL (see [Table 45](#)).

11.6 General-purpose IO pins

The DAC1627D1G25 provides two general-purpose pins, IO0 and IO1. These pins can be used to observe the interrupt signal (INTR) or other internal signals (internal clocks, LVDS data, etc.). These pins can also be used as generic outputs to control external devices.

The internal signals that must be observed on these pins are selected using registers IO_MUX0, IO_MUX1, and IO_MUX2 (see [Table 63](#) and [Table 64](#)).

11.7 Input clock

The DAC1627D1G25 operates with two clocks, one for the LVDS DDR interface and one for the DAC core.

11.7.1 LVDS DDR clock

The LVDS DDR clock can be interfaced as shown in [Figure 23](#) because the clock buffer contains a 100 Ω internal resistor.

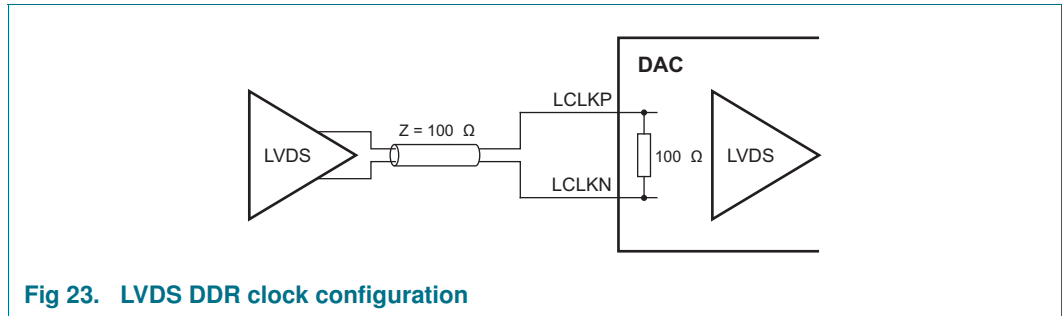


Fig 23. LVDS DDR clock configuration

11.7.2 DAC core clock

The DAC core clock can achieve a frequency of up to 1.25 Gsps. It includes internal biasing to support both AC-coupling and DC-coupling. The clock can be easily connected to any LVDS, CML or PECL clock sources.

Depending on the interface selected, the hardware configuration varies (see [Figure 24](#) to [Figure 26](#)).

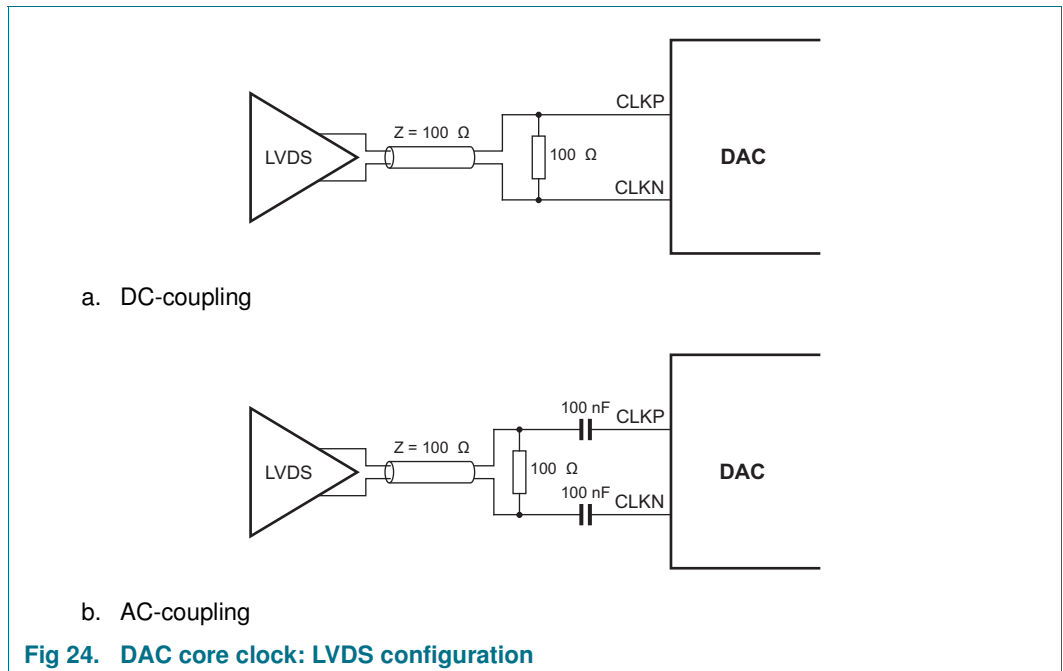
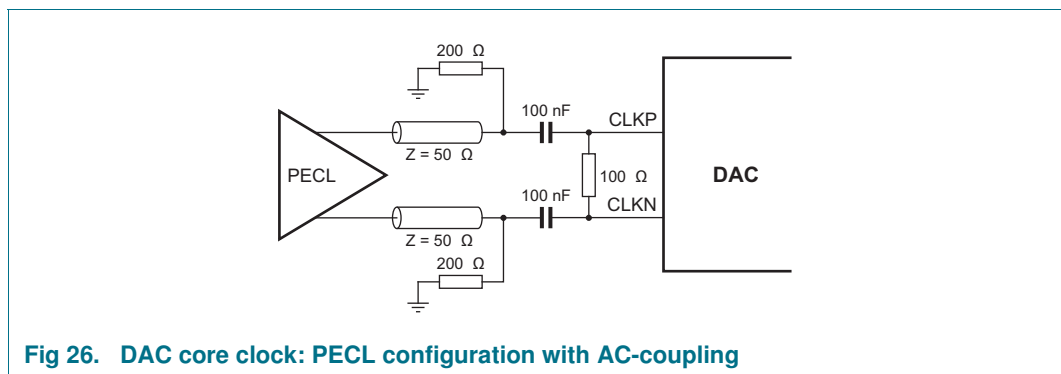
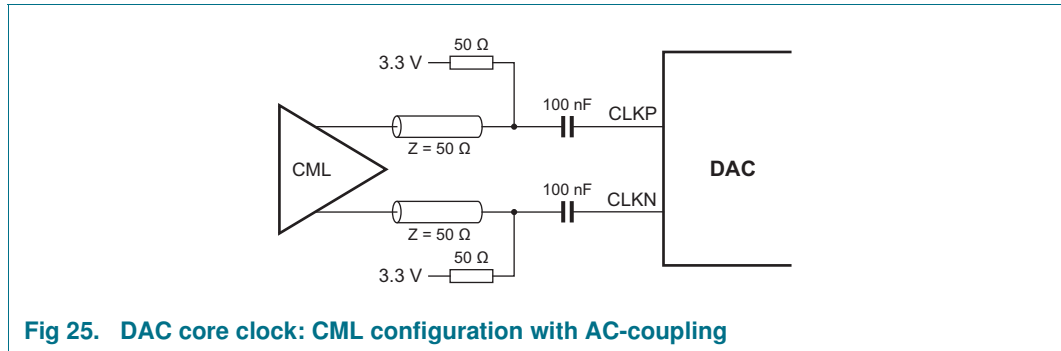


Fig 24. DAC core clock: LVDS configuration

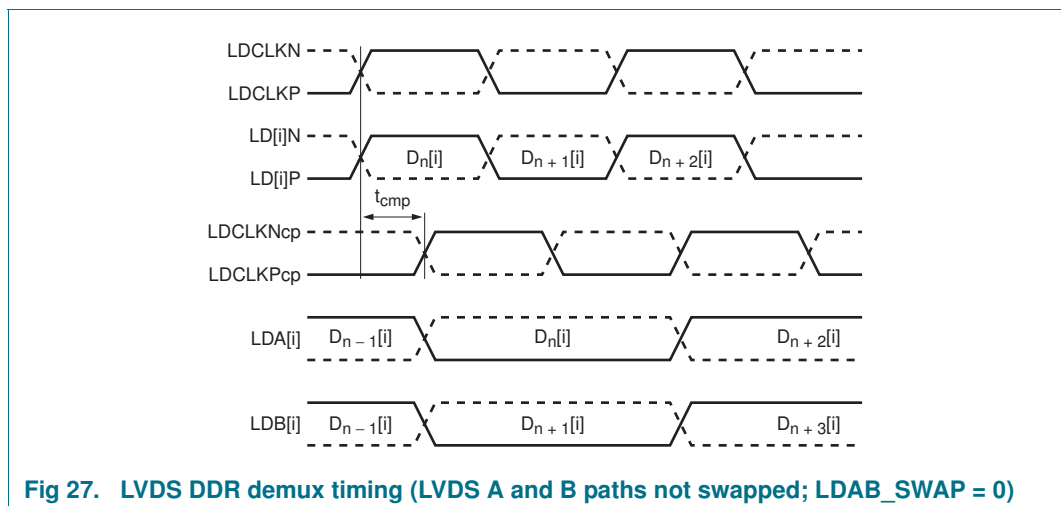


11.8 Timing

The DAC1627D1G25 can operate at an update rate (f_s) of up to 1.25 Gsps and with an input data rate (f_{data}) of up to 400 MHz.

The sampling position of the LVDS data can be tuned using a 16-step compensation delay clock. An internal clock is generated to define the exact sampling position of the LVDS data (see [Figure 27](#), signals LDCLKPcp and LDCLKNcp) which depends on the compensation delay.

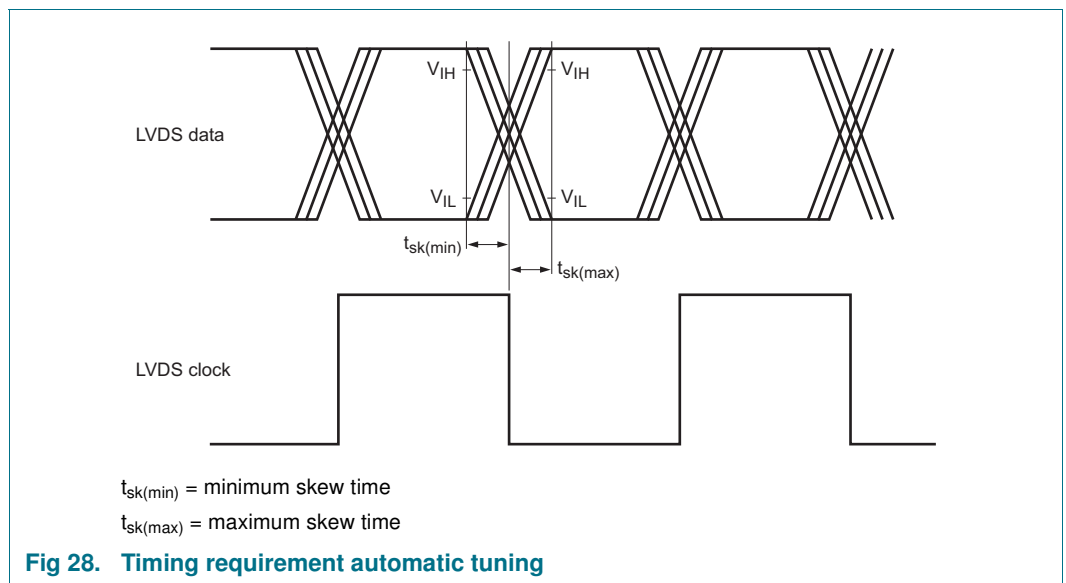
[Figure 27](#) shows how the compensation delay helps to recover the LVDS DDR data on both the A and B paths.



The compensation delay time (t_{cmp} in [Figure 27](#)) can be tuned automatically or manually. Bit CAL_CNTRL of the MAIN_CNTRL register (see [Table 54](#)) enables the switching between automatic tuning and manual tuning.

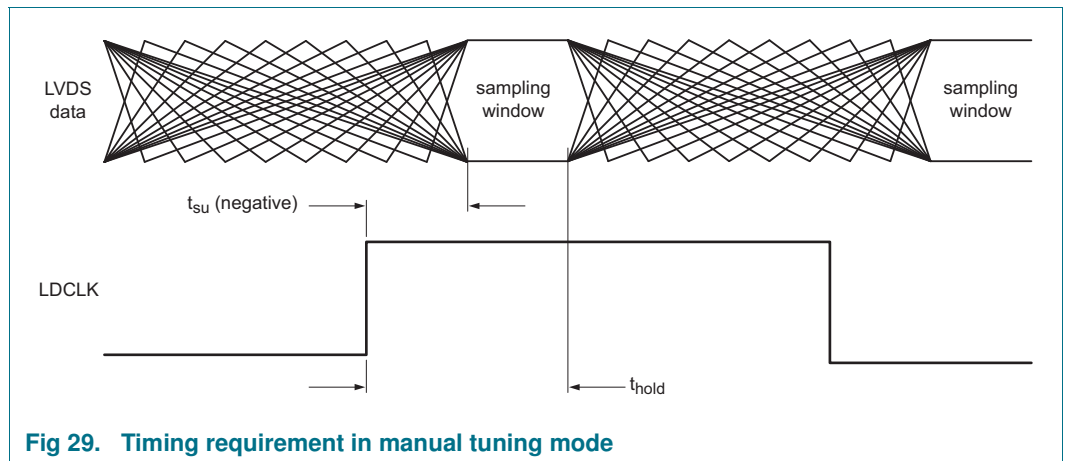
In automatic tuning mode, the external LVDS data and clock signals are generated using the same reference clock (inside the Field Programmable Gate Array (FPGA)). The LDCLK clock is similar to a data bit that toggles each time (the rising edge and falling edge of the LDCLK and LVDS data occur at the same time). In automatic tuning, the internal compensation delay time (t_{cmp}) is defined automatically to compensate the internal DAC1627D1G25 delay time optimally.

The timing requirement in automatic tuning mode is defined in [Figure 28](#) and in [Table 5](#).



Use manual tuning mode if the LVDS data and the LDCLK clock signals provided to the DAC1627D1G25 device have a systematic delay. Adjust the compensation delay time to compensate for the systematic delay. The compensation delay time (t_{cmp} in [Figure 27](#)), can be defined using bits LDCLK_DEL[3:0] of register MAN_LDCLKDEL (see [Table 55](#)).

The timing requirement in manual tuning mode is defined in [Figure 29](#) and in [Table 5](#).



11.9 Operating modes

The DAC1627D1G25 requires two differential clocks:

- The LVDS clock (LDCLKP, LDCLKN) for the LVDS DDR interface
- The data clock (CLKP, CLKN) for the internal PLL and the dual DAC core

In Normal mode, provide both the DAC clock and the LVDS clock to the DAC1627. Align the ratio frequency between these two clocks needs with selected $\times 2$, $\times 4$ or $\times 8$ interpolation filters. The clocks provided to the DAC1627 must respect the LVDS input timing and the DAC output timing specifications as defined in [Table 5](#).

In PLL mode, provide the LVDS clock to pins LDCLKP/LDCLKN and pins CLKP/CLKN. Depending on selected interpolation filter, the internal PLL can be set to generate the right DAC core clock frequency internally. The clocks provided to the DAC1627 pins must respect the LVDS input timing and the DAC output timing specifications as defined in [Table 5](#). The PLL settings must also respect the maximum sampling rate of the PLL (see the sampling rate (f_s) in subsection Internal PLL timing of [Table 5](#)).

The main function of the Clock Domain Interface (CDI) is to resynchronize the input data streams to the internal clock the digital processing uses. The CDI also performs the required reformatting of the input data streams. Set PLL, CDI, and the interpolation filters, which depend on the targeted application, accordingly. [Section 11.9.1](#) ($\times 2$), [Section 11.9.2](#) ($\times 4$), and [Section 11.9.3](#) ($\times 8$) explain how to set the DAC1627D1G25 to support the different upsampling modes.

11.9.1 CDI mode 0 (x2 interpolation)

CDI mode 0 (x2 interpolation) is required when the value of the LVDS DDR clock is twice the internal maximum CDI frequency. [Table 11](#) shows examples of applications using an internal PLL or an external clock for the DAC core.

Table 11. CDI mode 0: operating modes examples

LVDS DDR rate (MHz)	I rate; Q rate (Msps)	CDI mode ^[1]	FIR mode ^[2]	SSBM rate ^[3] (Msps)	DAC rate (Msps)	PLL configuration		
						DAC input clock ^[4] (MHz)	PLL status ^[5]	PLL divider ^[6]
320	320	0	x2	640	640	320	enabled	2
320	320	0	x2	640	640	640	disabled	n.a.

[1] Bits CDI_MODE[1:0] of register MISC_CNTRL (see [Table 61](#)).

[2] Bits INTERPOLATION[1:0] of register TXCFG (see [Table 23](#)).

[3] If a Single Sideband Modulator (SSBM) is used, see bits NCO_ON and MODULATION[2:0] of register TXCFG (see [Table 23](#)).

[4] Pins CLKP and CLKN (see [Figure 2](#)).

[5] Bit PLL_PD of register PLLCFG (see [Table 24](#)).

[6] Bits PLL_DIV[1:0] of register PLLCFG (see [Table 24](#)).

11.9.2 CDI mode 1 (x4 interpolation)

CDI mode 1 (x4 interpolation) is required when the values of the LVDS DDR clock and the internal CDI frequency are equal. [Table 12](#) shows examples of applications using an internal PLL or an external clock for the DAC core.

Table 12. CDI mode 1: operating modes examples

LVDS DDR rate (MHz)	I rate; Q rate (Msps)	CDI mode ^[1]	FIR mode ^[2]	SSBM rate ^[3] (Msps)	DAC rate (Msps)	PLL configuration		
						DAC input clock ^[4] (MHz)	PLL status ^[5]	PLL divider ^[6]
250	250	1	x4	1000	1000	250	enabled	4
250	250	1	x4	1000	1000	1000	disabled	n.a.

[1] Bits CDI_MODE[1:0] of register MISC_CNTRL (see [Table 61](#)).

[2] Bits INTERPOLATION[1:0] of register TXCFG (see [Table 23](#)).

[3] If SSBM is used, see bits NCO_ON and MODULATION[2:0] of register TXCFG (see [Table 23](#)).

[4] Pins CLKP and CLKN (see [Figure 2](#)).

[5] Bit PLL_PD of register PLLCFG (see [Table 24](#)).

[6] Bits PLL_DIV[1:0] of register PLLCFG (see [Table 24](#)).

11.9.3 CDI mode 2 (x8 interpolation)

CDI mode 2 (x8 interpolation) is required when the LVDS DDR clock is half the maximum CDI frequency or less. [Table 13](#) shows examples of applications using an internal PLL or an external clock for the DAC core.

Table 13. CDI mode 2: operating modes examples

LVDS DDR rate (MHz)	I rate; Q rate (Msps)	CDI mode ^[1]	FIR mode ^[2]	SSBM rate ^[3] (Msps)	DAC rate (Msps)	PLL configuration		
						DAC input clock ^[4] (MHz)	PLL status ^[5]	PLL divider ^[6]
125	125	2	x8	1000	1000	125	enabled	4
125	125	2	x8	1000	1000	1000	disabled	n.a.

- [1] Bits CDI_MODE[1:0] of register MISC_CNTRL (see [Table 61](#)).
- [2] Bits INTERPOLATION[1:0] of register TXCFG (see [Table 23](#)).
- [3] If SSBM is used, see bits NCO_ON and MODULATION[2:0] of register TXCFG (see [Table 23](#)).
- [4] Pins CLKP and CLKN (see [Figure 2](#)).
- [5] Bit PLL_PD of register PLLCFG (see [Table 24](#)).
- [6] Bits PLL_DIV[1:0] of register PLLCFG (see [Table 24](#)).

11.10 FIR filters

The DAC1627D1G25 integrates three selectable Finite Impulse Response (FIR) filters. These FIRs enable the use of the device with x2, x4 or x8 interpolation rates. All three interpolation FIR filters have a stop-band attenuation of at least 80 dBc and a pass-band ripple of less than 0.0005 dB. [Table 14](#) shows the coefficients of the interpolation filters.

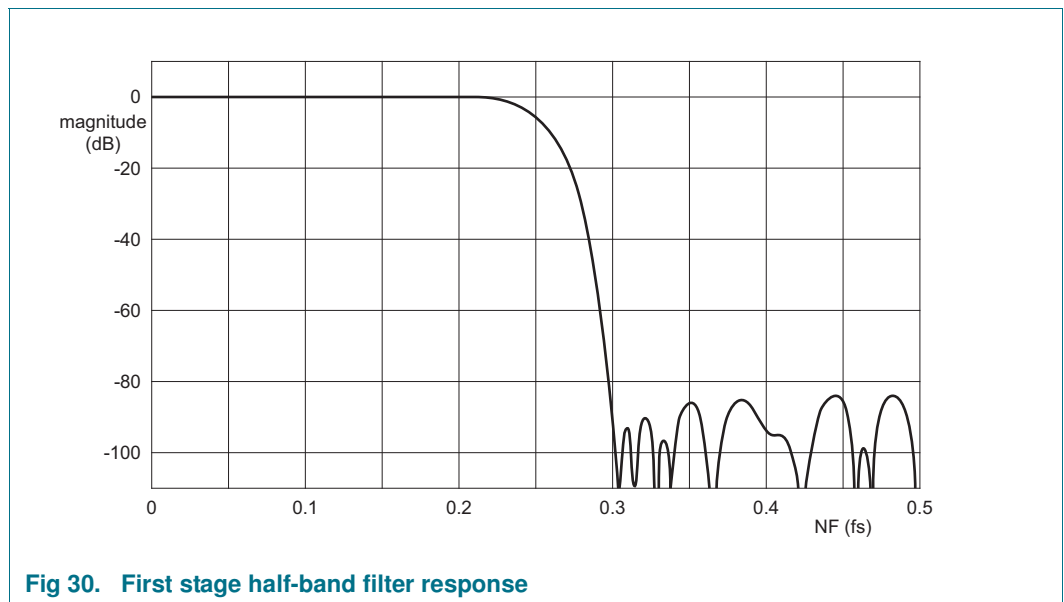


Fig 30. First stage half-band filter response

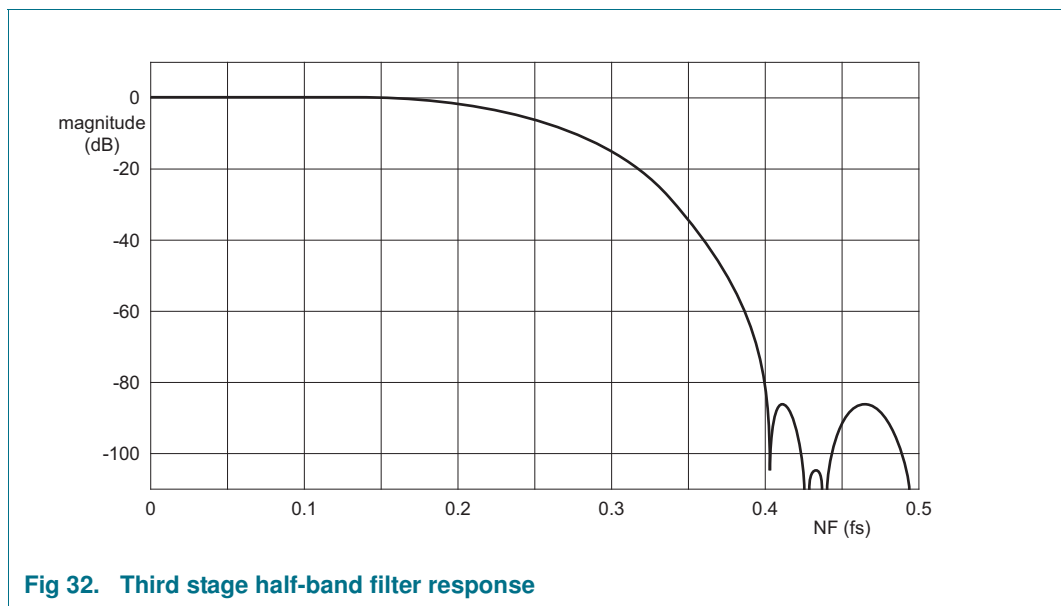
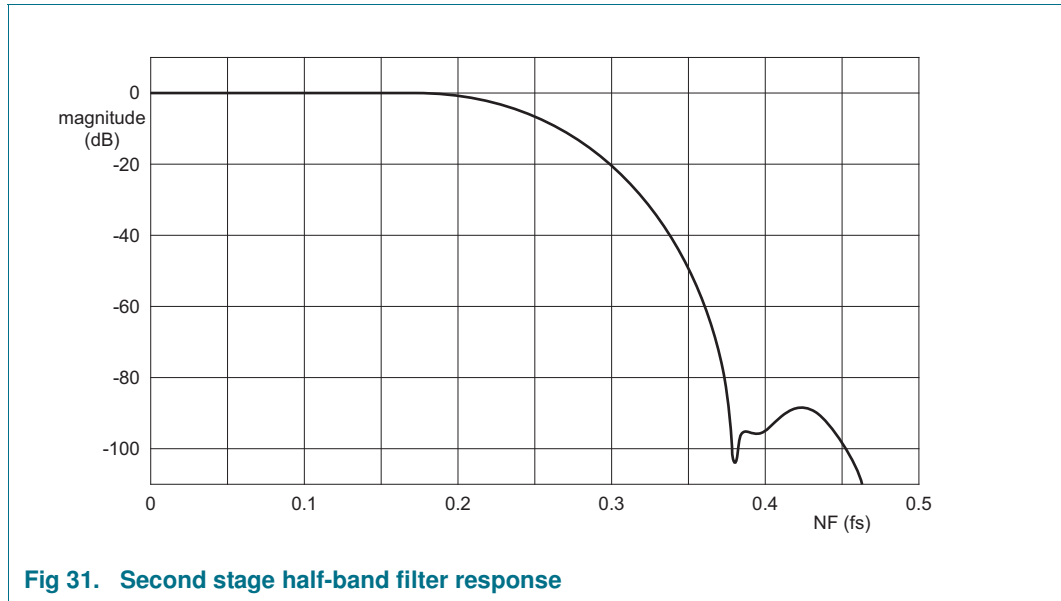


Table 14: Interpolation filter coefficients

First interpolation filter			Second interpolation filter			Third interpolation filter		
Lower	Upper	Value	Lower	Upper	Value	Lower	Upper	Value
-	H(27)	+65536	H(11)	-	+32768	H(7)	-	+1024
H(26)	H(28)	+41501	H(10)	H(12)	+20272	H(6)	H(8)	+615
H(25)	H(29)	0	H(9)	H(13)	0	H(5)	H(9)	0
H(24)	H(30)	-13258	H(8)	H(14)	-5358	H(4)	H(10)	-127
H(23)	H(31)	0	H(7)	H(15)	0	H(3)	H(11)	0
H(22)	H(32)	+7302	H(6)	H(16)	+1986	H(2)	H(12)	+27
H(21)	H(33)	0	H(5)	H(17)	0	H(1)	H(13)	0
H(20)	H(34)	-4580	H(4)	H(18)	-654	H(0)	H(14)	-3

Table 14: Interpolation filter coefficients ...continued

First interpolation filter			Second interpolation filter			Third interpolation filter		
Lower	Upper	Value	Lower	Upper	Value	Lower	Upper	Value
H(19)	H(35)	0	H(3)	H(19)	0	-	-	-
H(18)	H(36)	+2987	H(2)	H(20)	+159	-	-	-
H(17)	H(37)	0	H(1)	H(21)	0	-	-	-
H(16)	H(38)	-1951	H(0)	H(22)	-21	-	-	-
H(15)	H(39)	0	-	-	-	-	-	-
H(14)	H(40)	+1250	-	-	-	-	-	-
H(13)	H(41)	0	-	-	-	-	-	-
H(12)	H(42)	-773	-	-	-	-	-	-
H(11)	H(43)	0	-	-	-	-	-	-
H(10)	H(44)	+456	-	-	-	-	-	-
H(9)	H(45)	0	-	-	-	-	-	-
H(8)	H(46)	-252	-	-	-	-	-	-
H(7)	H(47)	0	-	-	-	-	-	-
H(6)	H(48)	+128	-	-	-	-	-	-
H(5)	H(49)	0	-	-	-	-	-	-
H(4)	H(50)	-58	-	-	-	-	-	-
H(3)	H(51)	0	-	-	-	-	-	-
H(2)	H(52)	+22	-	-	-	-	-	-
H(1)	H(53)	0	-	-	-	-	-	-
H(0)	H(54)	-6	-	-	-	-	-	-

[Equation 1](#) defines the dependency of the FIR1 output Y(m) on its inputs X(m):

$$Y(m) = \frac{1}{H(27)} \times \sum_{n=0}^{n=54} [H(n):X(m-n)] \quad (1)$$

[Equation 2](#) defines the dependency of the FIR2 output Y(m) on its inputs X(m):

$$Y(m) = \frac{1}{H(11)} \times \sum_{n=0}^{n=22} [H(n):X(m-n)] \quad (2)$$

[Equation 3](#) defines the dependency of the FIR3 output Y(m) on its inputs X(m):

$$Y(m) = \frac{1}{H(7)} \times \sum_{n=0}^{n=14} [H(n):X(m-n)] \quad (3)$$

11.11 Single SideBand Modulator (SSBM)

The SSBM is a quadrature modulator that enables mixing the I data and Q data with the sine and cosine signals generated by the NCO to generate path A and path B (see [Figure 33](#)).

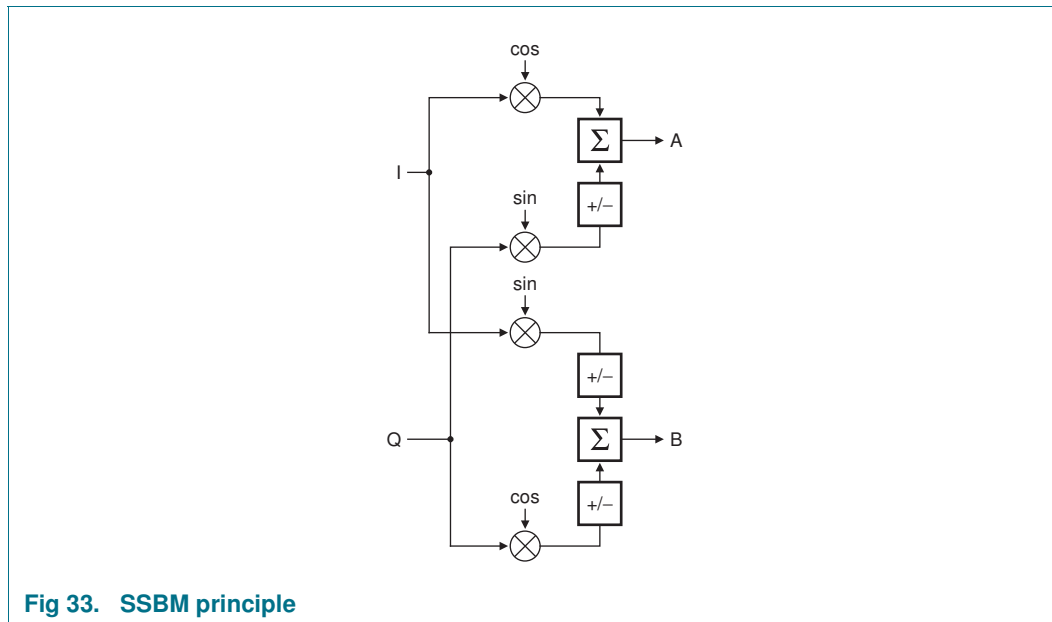


Fig 33. SSBM principle

The frequency of the NCO is programmed over 40 bits. NCO enables inverting the sine component to operate a positive or negative, lower or upper SSB conversion (see register TXCFG in [Table 23](#)).

11.11.1 NCO in 40 bits

When using NCO, the frequency can be set over 40 bits by five registers, FREQNCO_B0 to FREQNCO_B4 (see [Table 25](#)).

The frequency is calculated with [Equation 4](#).

$$f_{NCO} = \frac{M \times f_s}{2^{40}} \tag{4}$$

Where:

- M is the two's complement coding representation of FREQ_NCO[39:0]
- f_s is the DAC clock sampling frequency

The default settings are:

- $f_{NCO} = 96$ MHz
- $f_s = 640$ Msps

Registers PHINCO_LSB and PHINCO_MSB (over 16 bits from 0° to 360°; see [Table 26](#)) can set the phase of the NCO.

11.11.2 NCO low power

The five MSB-bits of register `FREQNCO_B4` (bits `FREQ_NCO[39:35]`; see [Table 25](#)) can set the frequency when using NCO low power (bit `NCO_LP_SEL`; see [Table 23](#)).

The frequency is calculated with [Equation 5](#).

$$f_{NCO} = \frac{M \times f_s}{2^5} \tag{5}$$

Where:

- M is the two’s complement coding representation of `FREQ_NCO[39:35]`
- f_s is the DAC clock sampling frequency

Five MSB-bits of register `PHINCO_MSB` (see [Table 31](#)) can set the phase of the NCO low power.

11.11.3 Complex modulator

The complex modulator upconverts the single side band by mixing NCO signals and I and Q input signals. [Table 15](#) shows the various possibilities set by bits `MODULATION[2:0]` of register `TXCFG` (see [Table 23](#)).

The effect of the `MODULATION` parameter is better viewed after mixing the A and B signal with a LO frequency through an IQ modulator:

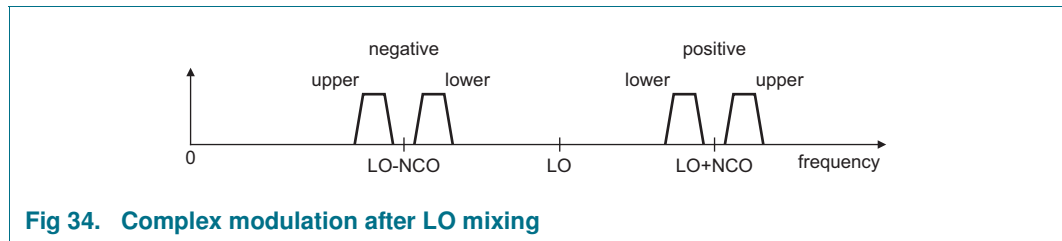


Fig 34. Complex modulation after LO mixing

Table 15. Complex modulator operation mode

MODULATION[2:0]	Mode	Path A	Path B
000	bypass	$I(t)$	$Q(t)$
001	positive upper ssb	$I(t) \times \cos(\omega_{NCO} \times t) - Q(t) \times \sin(\omega_{NCO} \times t)$	$I(t) \times \sin(\omega_{NCO} \times t) + Q(t) \times \cos(\omega_{NCO} \times t)$
010	positive lower ssb	$I(t) \times \cos(\omega_{NCO} \times t) + Q(t) \times \sin(\omega_{NCO} \times t)$	$I(t) \times \sin(\omega_{NCO} \times t) - Q(t) \times \cos(\omega_{NCO} \times t)$
011	negative upper ssb	$I(t) \times \cos(\omega_{NCO} \times t) - Q(t) \times \sin(\omega_{NCO} \times t)$	$-I(t) \times \sin(\omega_{NCO} \times t) - Q(t) \times \cos(\omega_{NCO} \times t)$
100	negative lower ssb	$I(t) \times \cos(\omega_{NCO} \times t) + Q(t) \times \sin(\omega_{NCO} \times t)$	$-I(t) \times \sin(\omega_{NCO} \times t) + Q(t) \times \cos(\omega_{NCO} \times t)$
others	not defined	-	-

11.11.4 Minus 3dB

In normal use, a full-scale pattern is also full-scale at the DAC output. Nevertheless, when the I data and Q data come close to full-scale simultaneously, some clipping can occur. The Minus 3dB function (bit MINUS_3DB of register DAC_OUT_CTRL; see [Table 28](#)) can be used to reduce the 3 dB gain in the modulator. It retains a full-scale range at the DAC output without added interferers.

11.12 Inverse sin x / x

A selectable FIR filter is incorporated to compensate the $\sin x / x$ effect caused by the roll-off effect of the DAC. This filter has no effect at DC. It introduces a gain for high frequency. The coefficients are represented in [Table 16](#). The filter response is presented in [Figure 35](#).

Table 16. Inversion filter coefficients

First interpolation filter		
Lower	Upper	Value
H(1)	H(9)	+1
H(2)	H(8)	-4
H(3)	H(7)	+13
H(4)	H(6)	-51
H(5)	-	+610

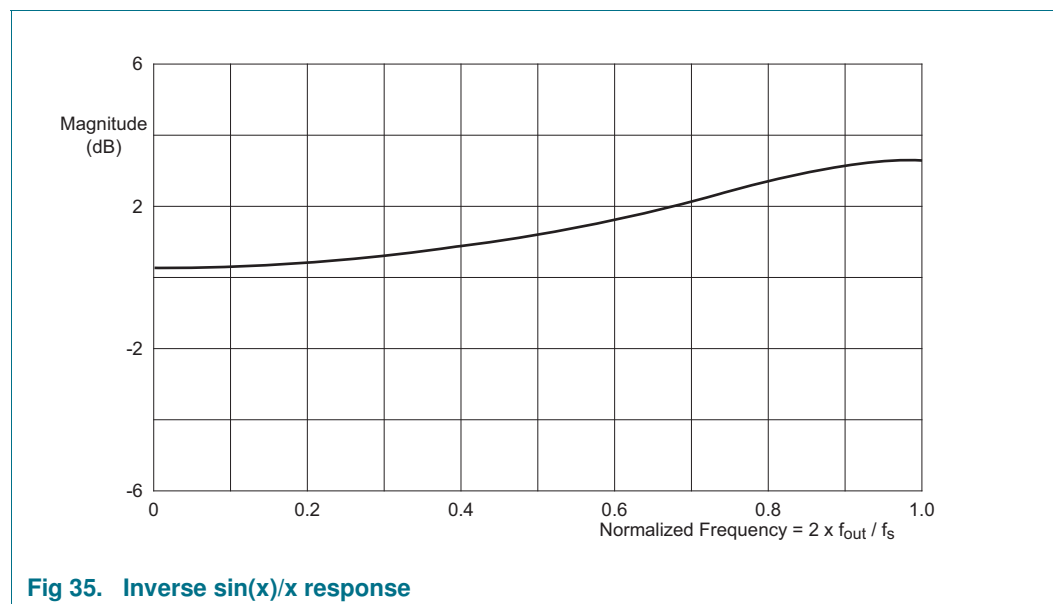


Fig 35. Inverse sin(x)/x response

11.13 Multiple Devices Synchronization (MDS)

Several DAC channels can be sampled synchronously and phase coherently using the MDS feature.

When all DAC slave devices of one system receive the same MDS signal (or at least a synchronous version of this reference), all the devices are time-aligned at ± 1 DAC clock accuracy at the end of the synchronization process.

11.13.1 MDS concept

The FPGA(s) has(have) to activate the ALIGN pins to identify the LVDS data flow start (see [Figure 36](#)).

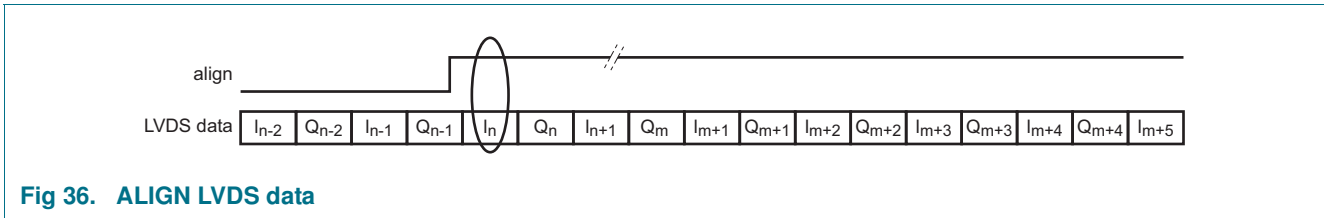


Fig 36. ALIGN LVDS data

The ALIGN signal is used to generate a local reference inside the DAC1627D1G25 which is 'aligned' with the IQ-data.

The DAC1627D1G25 devices use the MDS signals to do the output synchronization (see [Figure 37](#)).

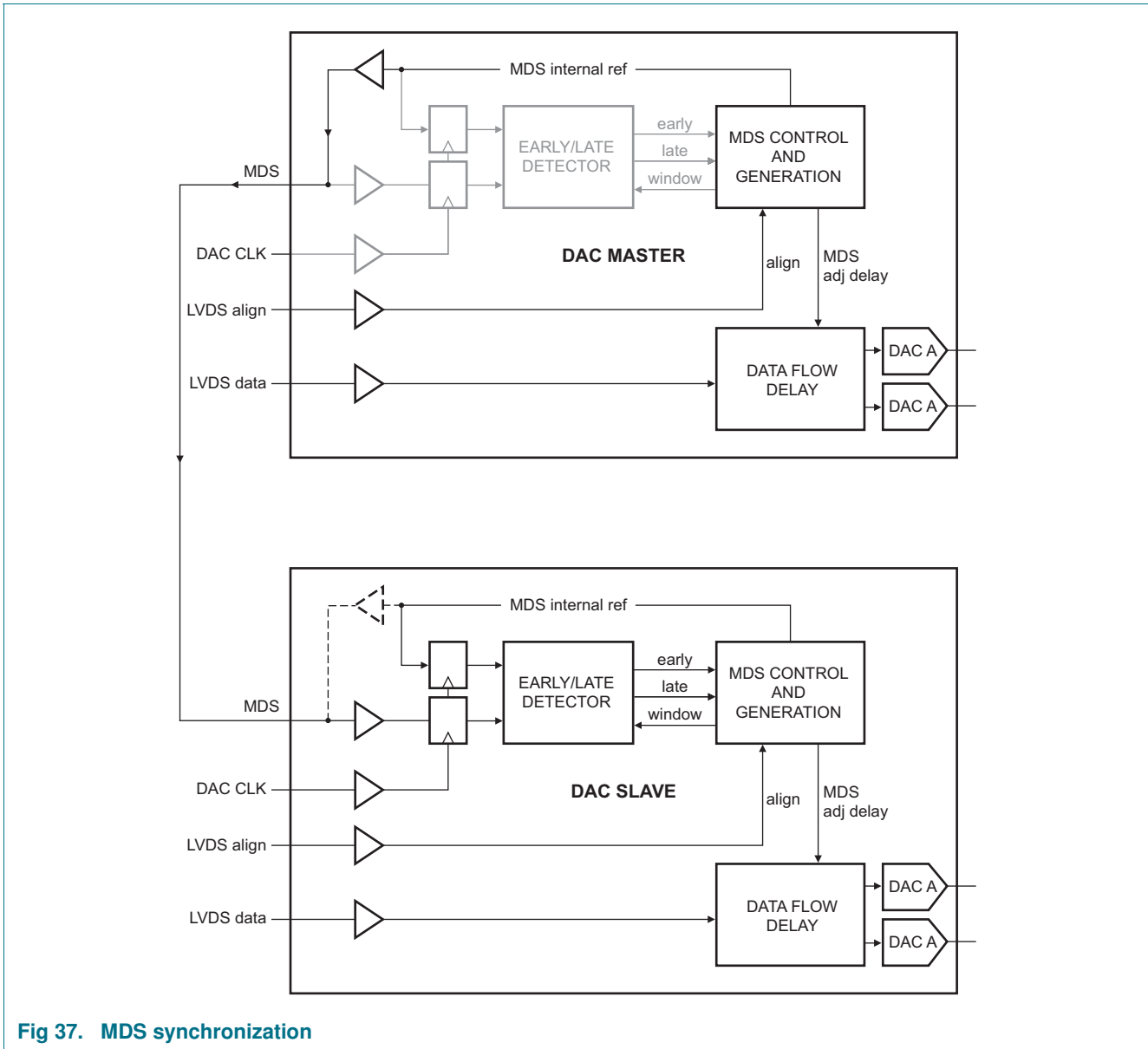


Fig 37. MDS synchronization

The signal detector of the DAC1627D1G25 detects the presence of the MDS signals. Once detected, an internal copy process of this reference starts. The MDS early/late detector block then compares the phase difference of these two signals to align the copy to its reference accurately. The alignment is done inside an "enabling window" that avoids the misinterpretation of the signal edges. This alignment process is done by moving the internal pointer of register MDS_ADJDELAY (see [Table 39](#)) (so inserting/removing a delay in data flow). This pointer can have a preset offset, which register MDS_OFFSET_DLY (see [Table 42](#)) specifies. Using the MDS_MAN and MDS_MAN_ADJDELAY bits in register MDS_MAN_ADJUSTLY register (see [Table 39](#)), the alignment can also be set manually.

During the whole alignment process, the MDS controller tries to adjust the delay to get the internal copy signal aligned to the external MDS signal. Once aligned, the MDS signal is not required anymore. It can be switched off at system level. The alignment is done just in front of the analog DACs cores ensuring the ± 1 DAC clock sample accuracy.

At the end of the MDS process, the MDS circuitry is disabled to avoid any analog disturbances.

The MDS feature can be used in two modes:

- All slaves mode
- Master/slaves mode

The mode can be set using the MD_MASTER bit of register MDS_MAIN (see [Table 36](#)).

11.13.1.1 MDS in All slaves mode

In this mode, each device uses its ALIGN pins signal to identify the LVDS data flow start (see [Figure 36](#)). The FPGA(s) has(have) to generate these ALIGN signals

The FPGA is also used to generate the different MDS reference signals to enable the DAC1627D1G25 devices to do the synchronization of the output. Use this mode when two or more DAC1627D1G25 devices must be synchronized.

[Figure 38](#) shows the MDS all slave mode schematic.

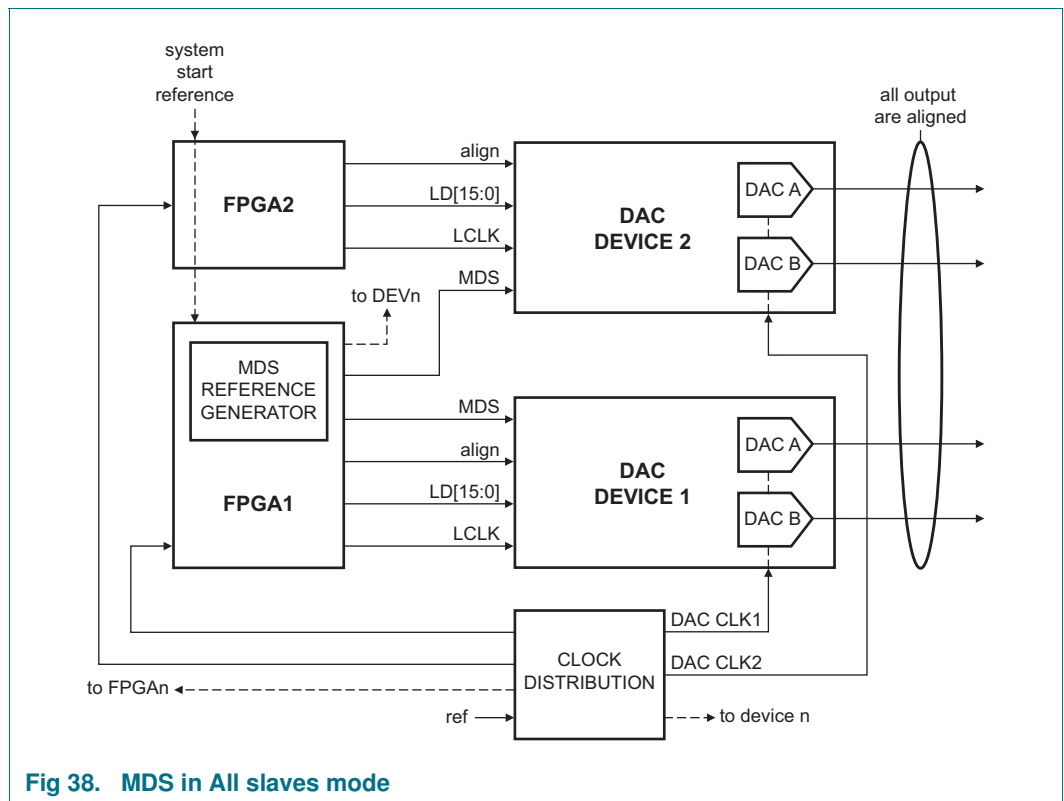


Fig 38. MDS in All slaves mode

11.13.1.2 MDS in Master/slaves mode

In this mode, one DAC1627D1G25 device is used as master, the other one is used as slave. The FPGA(s) still has(have) to provide the ALIGN signal to the DAC devices to identify the LVDS data flow start (see Figure 36). However, the master generates the reference MDS signal. The slave uses this signal to do the synchronization of the output. This mode is recommended when only two DAC1627D1G25 devices must be synchronized.

Figure 38 shows the MDS Master/slaves mode schematic.

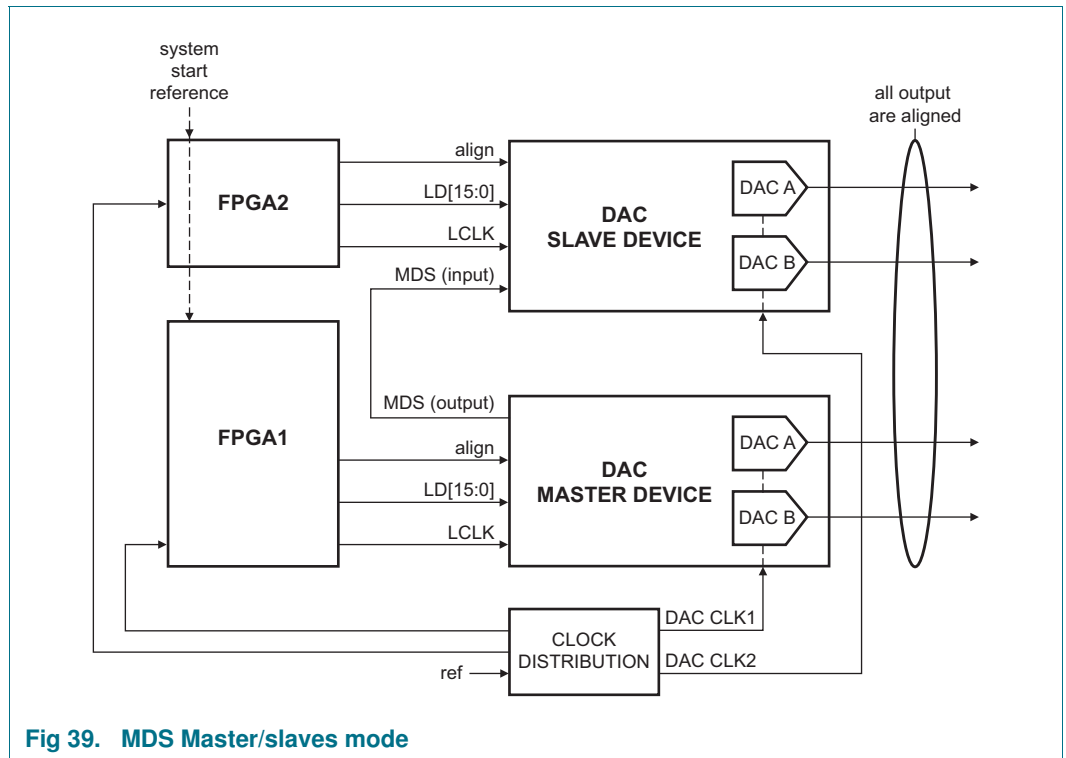


Fig 39. MDS Master/slaves mode

11.13.2 MDS flexibility and constraints

Getting a ± 1 clock period alignment can become very difficult without the MDS feature. There are many sources of misalignment:

- At 1.25 GHz, two signals with only 12 cm PCB length difference have a 1 clock period skew. So the PCB traces off the FPGA reference clock, the LVDS data/clock, or the DAC clock introduce delay.
- The clock generation circuit can cause delay between the different clocks.
- The most important delay comes from the internal FPGA design that can cause 1 or 2 LVDS clock delays between the different LVDS data patterns.

The DAC1627D1G25 MDS feature compensates these delays when:

- The overall delay compensated by the DAC1627D1G25 remains below ± 64 DAC clock.
- Each FPGA has to activate its ALIGN signal with the beginning of the LVDS data flow start (even if the different ALIGN signals are mis-aligned)

- All slave devices use the MDS signals for the fine alignment. Any misalignment between these signals causes misalignment on the output. Minimize the delay between the different MDS signals to avoid misalignment:
 - In All slave mode: Use a low skew buffer on the FPGA to generate this signal. Use the same PCB length for all MDS signal trace distributions.
 - In Master/slave mode: Minimize the MDS PCB length between the master and the slave (or compensate the introduced MDS PCB delay manually).

11.14 DAC transfer function

The full-scale output current for each DAC is the sum of the two complementary current outputs:

- $I_{OA(fs)} = I_{IOUTAP} + I_{IOUTAN}$
- $I_{OB(fs)} = I_{IOUTBP} + I_{IOUTBN}$

The output current of DAC A depends on the digital input data. Bits DAC_A_DGAIN[11:0] of register DAC_A_DGAIN_LSB (see [Table 27](#)) define the gain factor.

$$I_{IOUTAP} = I_{OA(fs)} \times \frac{(DAC_A_DGAIN)}{4096} \times \left(\frac{DATA}{65535}\right) \tag{6}$$

$$I_{IOUTAN} = I_{OA(fs)} \times \left(1 - \frac{(DAC_A_DGAIN)}{4096} \times \left(\frac{DATA}{65535}\right)\right) \tag{7}$$

The output current of DAC B depends on the digital input data. bits DAC_B_DGAIN[11:0] of register DAC_B_DGAIN_LSB (see [Table 27](#)) define the gain factor.

$$I_{IOUTBP} = I_{OB(fs)} \times \frac{(DAC_B_DGAIN)}{4096} \times \left(\frac{DATA}{65535}\right) \tag{8}$$

$$I_{IOUTBN} = I_{OB(fs)} \times \left(1 - \frac{(DAC_B_DGAIN)}{4096} \times \left(\frac{DATA}{65535}\right)\right) \tag{9}$$

It is possible to define if the DAC1627D1G25 operates with a binary input or a two's complement input (bit CODING; see [Table 22](#)).

[Table 17](#) shows the output current as a function of the input data, when $I_{OA(fs)} = I_{OB(fs)} = 20$ mA.

Table 17. DAC transfer function

Data	I15 to I0/Q15 to Q0 (binary coding)	I15 to I0/Q15 to Q0 (two's complement coding)	IOUTAP/IOUTBP	IOUTAN/IOUTBN
0	0000 0000 0000 0000	1000 0000 0000 0000	0 mA	20 mA
...
32768	1000 0000 0000 0000	0000 0000 0000 0000	10 mA	10 mA
...
65535	1111 1111 1111 1111	0111 1111 1111 1111	20 mA	0 mA

11.15 Full-scale current

11.15.1 Regulation

The DAC1627D1G25 reference circuitry integrates an internal band gap reference voltage which delivers a 1.25 V reference on the GAPOUT pin. Decouple pin GAPOUT using a 100 nF capacitor.

The reference current is generated via an external resistor of 910 Ω (1 %) connected to VIRES. A control amplifier sets the appropriate full-scale current ($I_{O(f_s)}$ and $I_{OB(f_s)}$) for both DACs (see [Figure 40](#)).

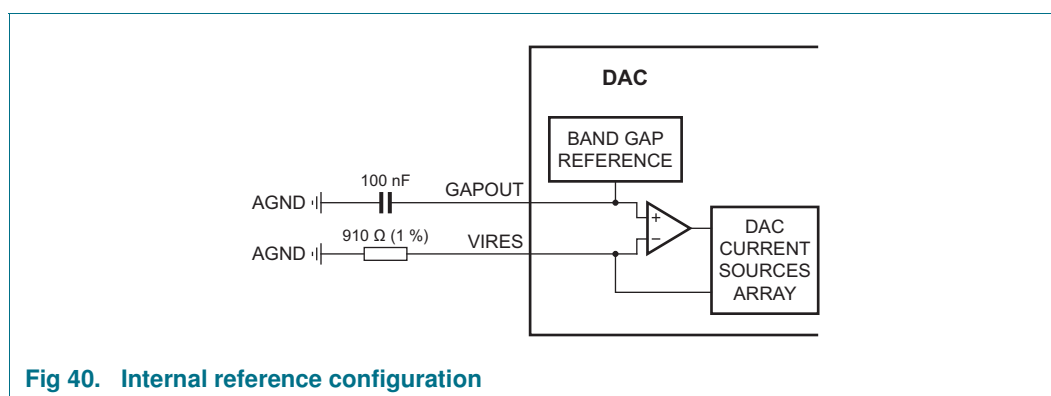


Fig 40. Internal reference configuration

[Figure 40](#) shows the optimal configuration for temperature drift compensation because the band gap reference voltage can be matched to the voltage across the feedback resistor.

Applying an external reference voltage to the non-inverting input pin GAPOUT and disabling the internal band gap reference voltage (bit GAP_PON of the COMMON register; see [Table 22](#)) can also adjust the DAC current.

11.15.2 Full-scale current adjustment

The default full-scale current ($I_{O(f_s)}$) is 20 mA. However, further adjustments, ranging from 8.1 mA to 34 mA, can be made to both DACs independently using the serial interface.

The settings applied to DAC_A_GAIN[9:0] (registers 17h and 18h; see [Table 32](#);) define the full-scale current of DAC A:

$$I_{O(f_s)} (\mu A) = 8100 + \text{DAC_A_GAIN}[9:0] \times 25.3 \quad (10)$$

The DAC_B_GAIN[9:0] (registers 19h and 1Ah; see [Table 32](#);) define the full-scale current of DAC B:

$$I_{O(f_s)} (\mu A) = 8100 + \text{DAC_B_GAIN}[9:0] \times 25.3 \quad (11)$$

11.16 Limiter/clip control

A limiter at the end of the data path saturates the output signal in case the signal does not fit the output range. This feature is activated using the CLIPPING_ENA bit in register DAC_OUT_CTRL (see [Table 28](#)).

The clipping level can be programmed using the CLIPPING_LEVEL register (see [Table 29](#)). The output range is limited (or clipped) to between $-128 \times \text{CLIPPING_LEVEL}$ and $+128 \times \text{CLIPPING_LEVEL}$.

At the DAC analog output, the AC current range is limited to:

$$-\left(\frac{I_{O(FS)}}{2}\right) \times \left(\frac{\text{CLIPPING_LEVEL}}{256}\right) \leq I_{IOUT} \leq +\left(\frac{I_{O(FS)}}{2}\right) \times \left(\frac{\text{CLIPPING_LEVEL}}{256}\right) \quad (12)$$

11.17 Digital offset adjustment

The DAC1627D1G25 provides digital offset correction (bits DAC_A_OFFSET[15:0] and bits DAC_B_OFFSET[15:0]; see [Table 30](#)). This offset correction can be used to adjust the common-mode level at the output of each DAC. It adds an offset at the end of the digital part, just before the DACs. [Table 18](#) shows the range of variation of the digital offset.

This offset can be used to remove the LO image at the IQ modulator output.

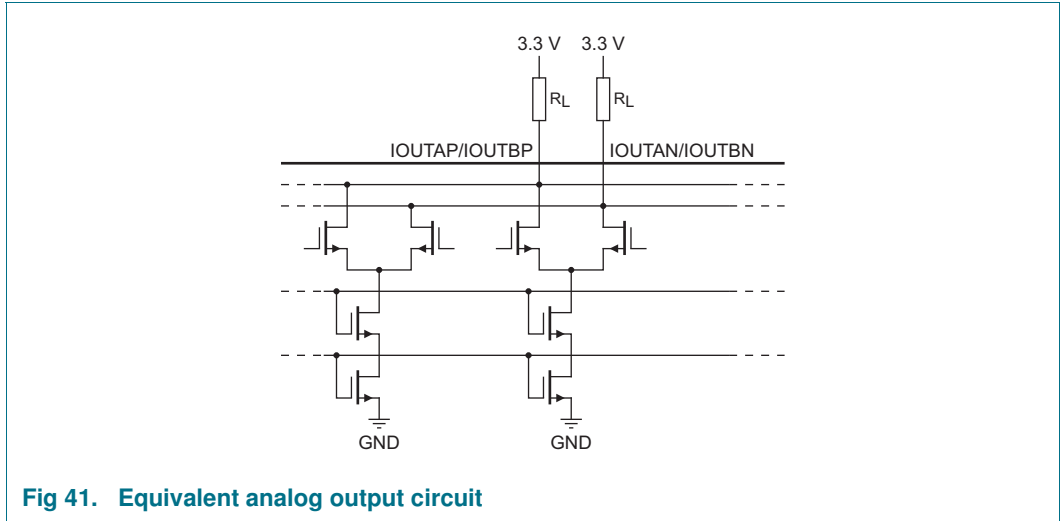
Table 18. Digital offset adjustment

DAC_A_OFFSET[15:0] DAC_B_OFFSET[15:0] (two's complement)	Offset applied
1000 0000 0000 0000	-32768
1000 0000 0000 0001	-32767
...	...
1111 1111 1111 1111	-1
0000 0000 0000 0000	0
0000 0000 0000 0001	+1
...	...
0111 1111 1111 1110	+32766
0111 1111 1111 1111	+32767

11.18 Analog output

The device has two output channels, producing two complementary current outputs, which enable the reduction of even-order harmonics and noise. The pins are IOUTAP/IOUTAN and IOUTBP/IOUTBN. Connect them using a load resistor R_L to the 3.3 V analog power supply ($V_{DDA(3V3)}$).

[Figure 41](#) shows the equivalent analog output circuit of one DAC. This circuit includes a parallel combination of NMOS current sources and associated switches for each segment.



The cascode source configuration increases the output impedance of the source, which improves the dynamic performance of the DAC because there is less distortion.

Depending on the application, the various stages and the targeted performances, the device can be used for an output level of up to 2 V (p-p).

11.19 Auxiliary DACs

The DAC1627D1G25 integrates two auxiliary DACs, which are used to compensate any offset between the DACs and the next stage in the transmission path. Both auxiliary DACs have a 10-bit resolution and are current sources (referenced to ground).

The full-scale output current for each DAC is the sum of the two complementary current outputs:

- $I_{OAUXA(fs)} = I_{AUXAP} + I_{AUXAN}$
- $I_{OAUXB(fs)} = I_{AUXBP} + I_{AUXBN}$

The output current depends on the digital input data set by SPI registers DAC_A_Aux_MSB (bits AUX_A[9:0]) and DAC_B_Aux_MSB (bits AUX_B[9:0]; see [Table 33](#)).

$$I_{AUXAP} = I_{OAUXA(fs)} \times \left(\frac{DATAA}{1023} \right) \tag{13}$$

$$I_{AUXAN} = I_{OAUXA(fs)} \times \left(\frac{1023 - DATAA}{1023} \right) \tag{14}$$

$$I_{AUXBP} = I_{OAUXB(fs)} \times \left(\frac{DATAB}{1023} \right) \tag{15}$$

$$I_{AUXBN} = I_{OAUXB(fs)} \times \left(\frac{1023 - DATAB}{1023} \right) \tag{16}$$

[Table 19](#) shows the output current as a function of the auxiliary DACs data DATAA and DATAB.

Table 19. Auxiliary DAC transfer function

DATAA; DATAB	AUX_A[9:2]/AUX_A[1:0]; AUX_B[9:0]/AUX_B[1:0] (binary coding)	I _{AUXAP} ; I _{AUXBP} (mA)	I _{AUXAN} ; I _{AUXBN} (mA)
0	00 0000 0000	0	3.1
...
512	10 0000 0000	1.55	1.55
...
1023	11 1111 1111	3.1	0

11.20 Output configuration

The DAC1627D1G25 supports various output configurations.

The system application must check that for IOUTA/IOUTB output, the output compliance range (V_o) and the common-mode output voltage ($V_{o(cm)}$) specification points are respected to define other configurations.

Similarly, the system application must check that the output compliance range (V_o) specification point is respected for AUXA/AUXB DAC (if used).

The common-mode output voltage ($V_{o(cm)}$) value for each IOUTA/IOUTB pin depends on the DC resistor(s) connected to these pins and the IOUT DC sink currents on these pins.

[Equation 17](#) defines The DC sink output current:

$$I_{O(sink)}(DC) = I_{bias}(DC) + \frac{I_{O(fs)}}{2} \quad (17)$$

Where:

- $I_{O(fs)}$ = full-scale output current
- $I_{bias}(DC)$ = DC bias current

The common-mode voltage ($V_{o(cm)}$) value for each AUXA/AUXB pins depend on the DC resistor(s) connected to these pins and the AUX DC source currents.

[Equation 18](#) defines these AUX DC source currents:

$$I_{O(source)}(DC) = \frac{I_{O(fs)}}{2} \quad (18)$$

Where:

- $I_{O(fs)}$ = full-scale output current

The output compliance range (V_o) of all DAC outputs depends on the AC resistor load connected to the DAC:

$$V_{O(max)} = V_{O(cm)} + \frac{I_{O(fs)}}{2} \times R_{AC} \tag{19}$$

$$V_{O(min)} = V_{O(cm)} - \frac{I_{O(fs)}}{2} \times R_{AC} \tag{20}$$

Where:

- $V_{O(cm)}$ = common-mode output voltage
- $I_{O(fs)}$ = full-scale output current
- R_{AC} = DAC outputs AC resistor load

11.20.1 Basic output configuration

The use of a differentially coupled transformer outputs (see [Figure 42](#)) provides optimum distortion performance. In addition, it helps to match the impedance and provides electrical isolation.

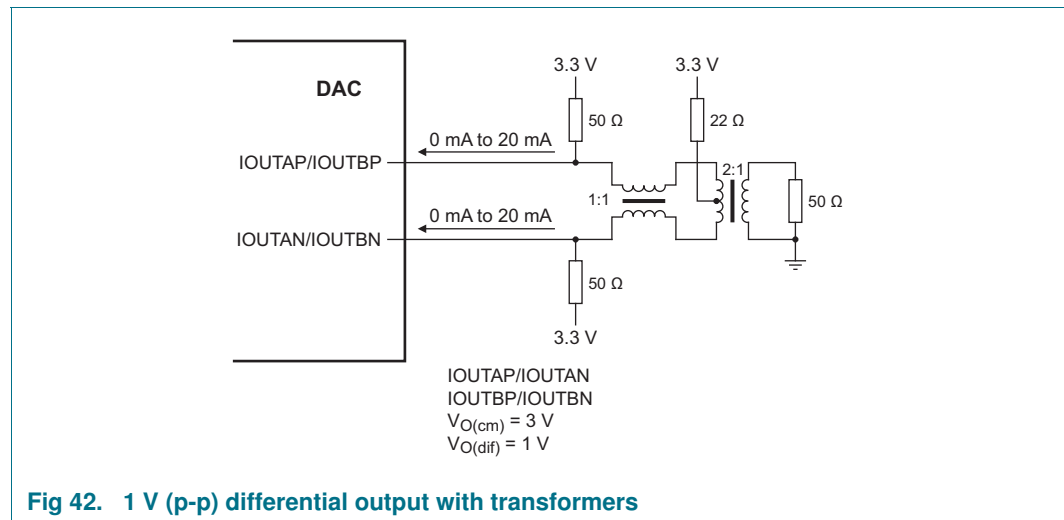
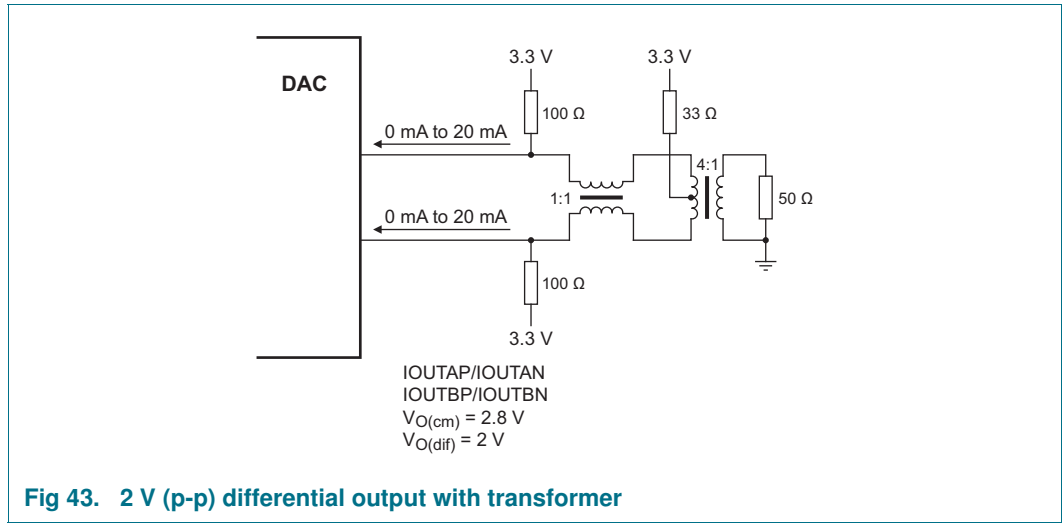


Fig 42. 1 V (p-p) differential output with transformers

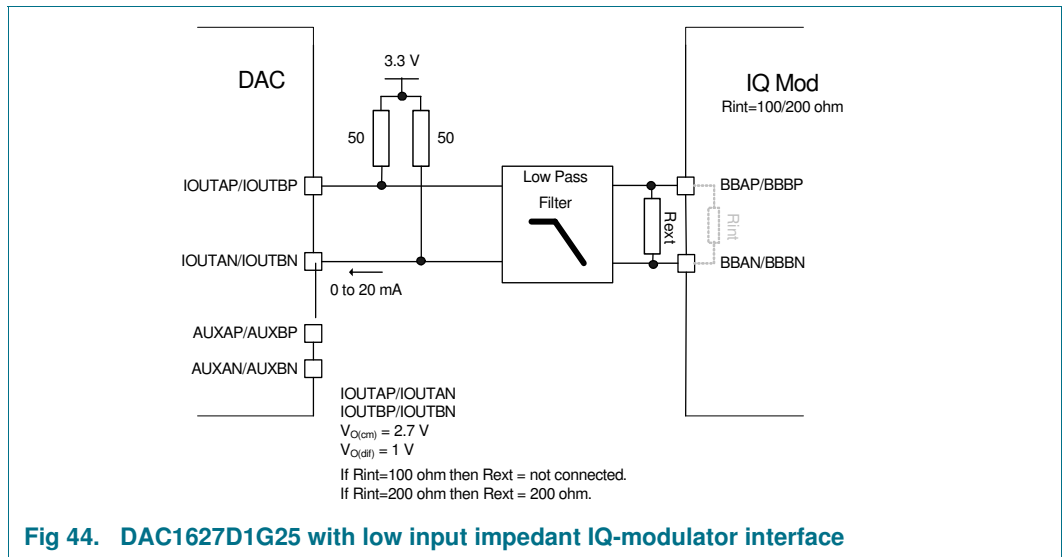
The DAC1627D1G25 can operate a differential output of up to 2 V (p-p). In this configuration, connect the center tap of the transformer to a 33 Ω resistor, which is connected to the 3.3 V analog power supply. This adjusts the DC common-mode to around 2.8 V (see [Figure 43](#)).



11.20.2 Low input impedance IQ-modulator interface

The DAC1627D1G25 can be easily connected to the low input impedance IQ-modulators. The image of the local oscillator can be canceled using the digital offset control in the device.

Figure 44 shows an example of a connection between the DAC1627D1G25 and the low input impedance IQ modulator.



11.20.3 IQ-modulator - DC interface

When the system operation requires to keep the DC component of the spectrum, the DAC1627D1G25 can use a DC interface to connect an IQ-modulator. In this case, the image of the local oscillator can be canceled using the digital offset control in the device.

Figure 45 shows an example of a connection to an IQ modulator with a 1.7 V common input level.

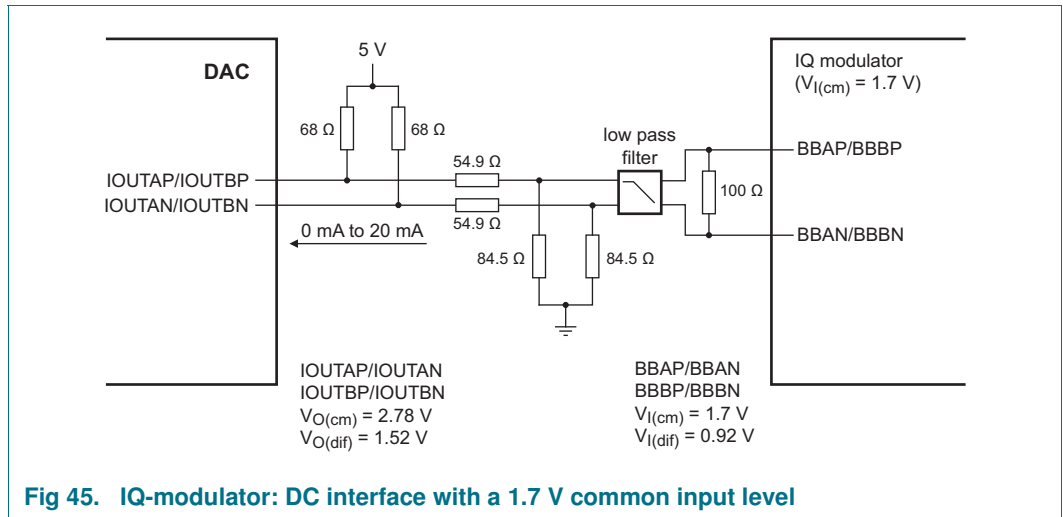
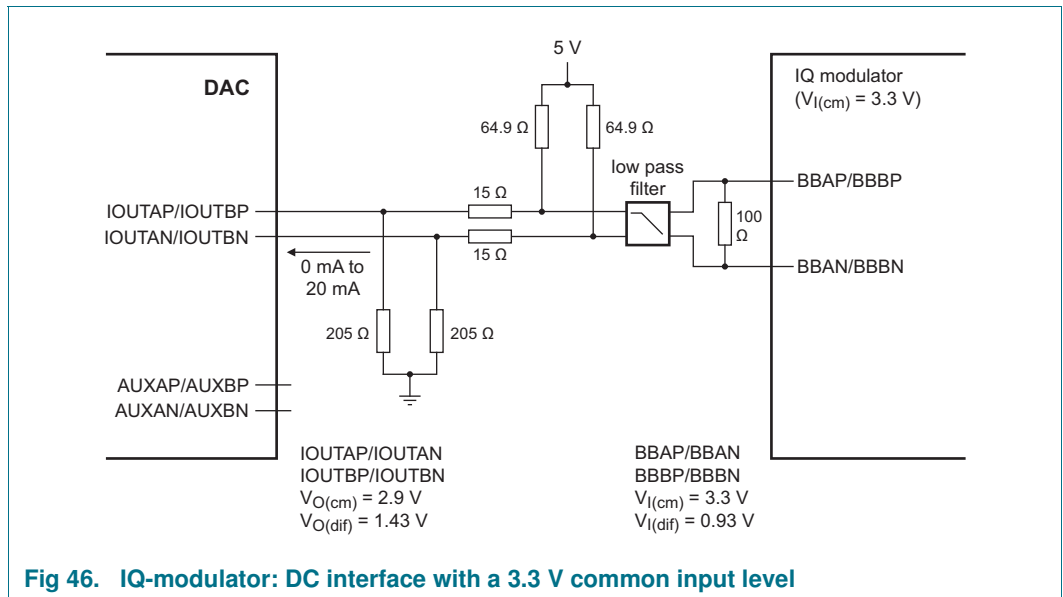
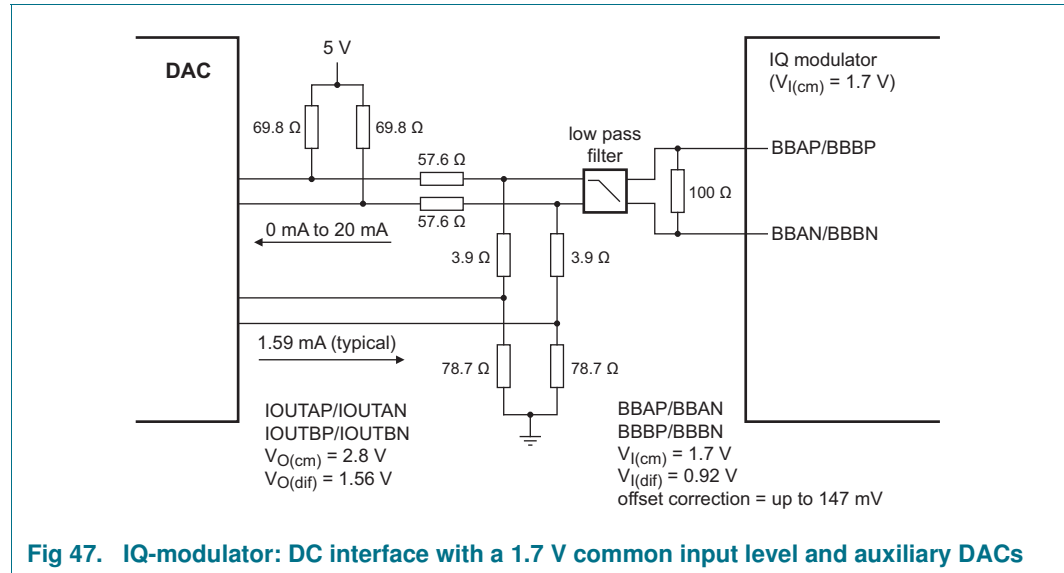


Figure 46 shows an example of a connection to an IQ-modulator with a 3.3 V common input level.



The auxiliary DACs can be used to control the offset within an accurate range or with accurate steps.

Figure 47 shows an example of a connection to an IQ-modulator with a 1.7 V common input level and auxiliary DACs.



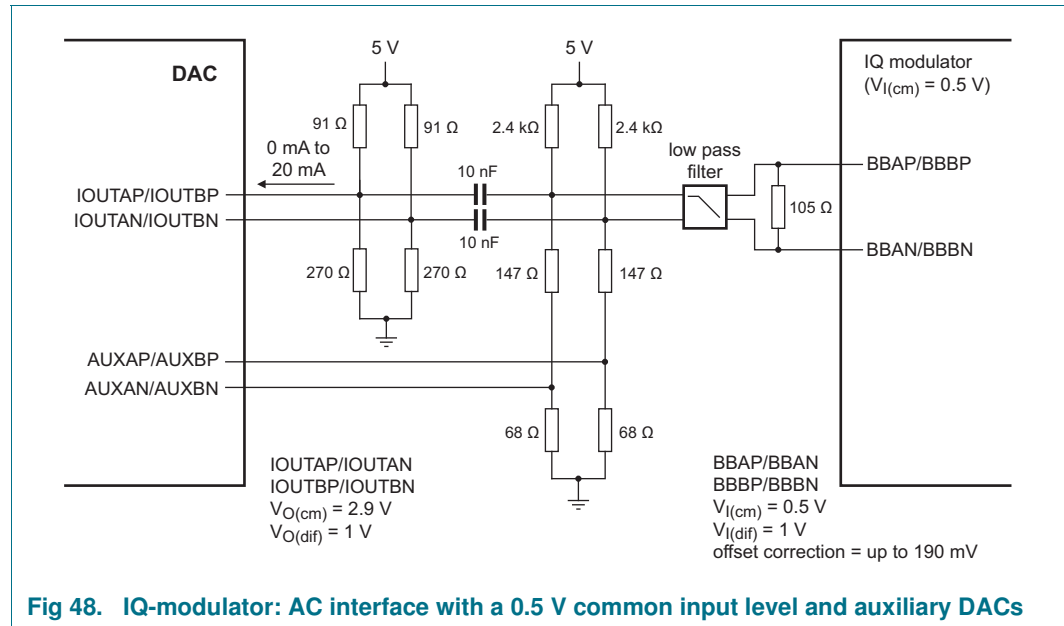
The constraints to adjust the interface are:

- The output compliance range of the DAC
- The output compliance range of the auxiliary DACs
- The input common-mode level of the IQ-modulator
- The range of offset correction

11.20.4 IQ-modulator - AC interface

When the IQ-modulator common-mode voltage is close to ground, use the DAC1627D1G25 AC-coupled. The auxiliary DACs are required for local oscillator cancelation.

Figure 48 shows an example of a connection to an IQ-modulator with a 0.5 V common input level and auxiliary DACs.



11.21 Design recommendations

11.21.1 Power and grounding

Use a separate power supply regulator for the generation of the analog power (pins 65, 62, 55, 58, 69 and 72) and the digital power (pins 12, 19, 26, 36 and 43) to ensure optimal performance.

Also, include individual LC decoupling for the following six sets of power pins:

- $V_{DDA(1V8)}_{P1}$ (pin 62)
- $V_{DDA(1V8)}_{P2}$ (pin 65)
- $V_{DDA(1V8)}$ (pins 55, 69, 72 and 58)
- V_{DDD} (pins 12, 19, 26, 36, and 43)
- $V_{DDA(3V3)}$ (pins 59 and 68)

Use at least two capacitors for each power pin decoupling. place these capacitors as close as possible to the DAC1627D1G25 power pins.

The die pad is used for both the power dissipation and electrical grounding. Insert several vias (typically 7 × 7) to connect the internal ground plane to the top layer die area.

11.22 Configuration interface

11.22.1 Register description

The DAC1627D1G25 incorporates more than the 32 SPI registers allowed by the address value A[4:0]. It uses three SPI register pages (page_00, page_01, and page_0A), each containing 32 registers. The 32nd register of each page indicates which page is currently addressed (00h, 01h or 0Ah).

Page 00h (see [Table 21](#)) is dedicated to the main control of the DAC1627D1G25:

- Mode selection
- NCO control
- Auxiliary DAC control
- Gain/phase/offset control
- Power-down control

Page 01h (see [Table 35](#)) is dedicated to:

- Multi-Device Synchronization (MDS)
- DAC analog core control (biasing current, Sleep mode)

Page 0Ah (see [Table 53](#)) is dedicated to the LVDS input interface configuration.

11.22.2 SPI start-up sequence

The following SPI sequence shows the list of commands to be used to start the DAC1627D1G25 in interpolation $\times 4$ mode with NCO frequency = 153.6 MHz ($f_{\text{DAC}} = 983.04$ MHz), PLL bypass mode, and without inverse ($\sin x$) / x . Other start-up sequences can be easily derived from this sequence:

Table 20. SPI start-up sequence

Step	SPI (address, data)	Comment
1	Write(0x1F, 0x00)	select SPI (page 0)
2	Write(0x00, 0x47)	reset SPI
3	Write(0x01, 0x86)	set NCO on with positive upper sideband conversion, interpolation $\times 4$, No inverse ($\sin x$) / x
4	Write(0x02, 0xA0)	PLL in bypass mode
5	Write(0x04, 0xFF)	select NCO frequency (FREQ_NCO[7:0])
6	Write(0x05, 0xFC)	select NCO frequency (FREQ_NCO[15:8])
7	Write(0x06, 0xFF)	select NCO frequency (FREQ_NCO[23:16])
8	Write(0x07, 0xFF)	select NCO frequency (FREQ_NCO[31:24])
9	Write(0x08, 0x27)	select NCO frequency (FREQ_NCO[39:32])
10	Write(0x1F, 0x01)	select SPI (page 1)
11	Write(0x15, 0x0A)	set DAC_current_6 to 0X0A in order to guaranty good performance over process/temperature/voltage
12	Write(0x1F, 0x0A)	select SPI (page A)

Table 20. SPI start-up sequence ...continued

Step	SPI (address, data)	Comment
13	Write(0x0A, 0x33)	specify LVDS interface setting (no DAC A/B swapping, no parity check, no data enable, ...)
14	Write(0x0B, 0x01)	set CDI block setting (interpolation x4, CDI mode)
15	Write(0x00, 0x00)	release LVDS reset (start of the DAC1627)

11.22.3 Page 0 register allocation map

[Table 21](#) shows an overview of all registers on page 0 (00h in hexadecimal).

Table 21. Page_00 register allocation map

Address	Register name	RW	Bit definition							
			Bit 7	Bit 6	Bit 5	Bit 4	Bit 3	Bit 2	Bit 1	
0 00h	COMMON	R/W	3W_SPI	SPI_RST	-	-	-	CODING	IC_PON	Bit 1
1 01h	TXCFG	R/W	NCO_ON	NCO_LP_SEL	INV_SIN_SEL	MODULATION[2:0]		INTERPOL		
2 02h	PLLCFG	R/W	PLL_BP	PLL_BUF_PD	PLL_PLL_PD	PLL_DIV[1:0]		PLL_PHASE[1:0]		
4 04h	FREQNCO_B0	R/W	FREQ_NCO[7:0]							
5 05h	FREQNCO_B1	R/W	FREQ_NCO[15:8]							
6 06h	FREQNCO_B2	R/W	FREQ_NCO[23:16]							
7 07h	FREQNCO_B3	R/W	FREQ_NCO[31:24]							
8 08h	FREQNCO_B4	R/W	FREQ_NCO[39:32]							
9 09h	PH_CORR_CTL0	R/W	PHASE_COR[7:0]							
10 0Ah	PH_CORR_CTL1	R/W	PH_COR_ENA	-	-	PHASE_COR[12:8]				
11 0Bh	DAC_A_DGAIN_LSB	R/W	DAC_A_DGAIN[7:0]							
12 0Ch	DAC_A_DGAIN_MSB	R/W	-	-	-	DAC_A_DGAIN[11:8]				
13 0Dh	DAC_B_DGAIN_LSB	R/W	DAC_B_DGAIN[7:0]							
14 0Eh	DAC_B_DGAIN_MSB	R/W	-	-	-	DAC_B_DGAIN[11:8]				
15 0Fh	DAC_OUT_CTRL	R/W	-	-	-	A_DGAIN_E	B_DGAIN_E	MINUS_3DB		

11.22.4 Page 0 bit definition detailed description

The tables in this section contain detailed descriptions of the page 0 registers.

Table 22. Register COMMON (address 00h) bit description

Default values are shown highlighted.

Bit	Symbol	Access	Value	Description
7	3W_SPI	R/W		serial interface bus type
			0	4-wire SPI
			1	3-wire SPI
6	SPI_RST	R/W		serial interface reset
			0	no reset
			1	performs a reset on all registers except address 00h
2	CODING	R/W		coding of input word
			0	two's complement coding
			1	unsigned format
1	IC_PON	R/W		IC power control
			0	all circuits (digital and analog, except SPI) are in power-down
			1	all circuits (digital and analog, except SPI) are switched on
0	GAP_PON	R/W		internal band gap power control
			0	band gap is power-down
			1	internal band gap references are switched on

Table 23. Register TXCFG (address 01h) bit description

Default values are shown highlighted.

Bit	Symbol	Access	Value	Description
7	NCO_ON	R/W		NCO
			0	NCO disabled, the NCO phase is reset to 0
			1	NCO enabled
6	NCO_LP_SEL	R/W		NCO low-power selection
			0	low-power NCO disabled
			1	low-power NCO enabled (frequency and phase given by the five MSB of the registers 06h and 08h, respectively)
5	INV_SIN_SEL	R/W		inverse (sin x) / x function selection
			0	disable
			1	enable
4 to 2	MODULATION[2:0]	R/W		modulation
			000	dual DAC: no modulation
			001	positive upper single sideband conversion
			010	positive lower single sideband conversion
			011	negative upper single sideband conversion
			100	negative lower single sideband conversion
			others	not defined

Table 23. Register TXCFG (address 01h) bit description ...continued

Default values are shown highlighted.

Bit	Symbol	Access	Value	Description
1 to 0	INTERPOLATION[1:0]	R/W		interpolation
			00	no interpolation
			01	x2 interpolation
			10	x4 interpolation
			11	x8 interpolation

Table 24. Register PLLCFG (address 02h) bit description

Default values are shown highlighted.

Bit	Symbol	Access	Value	Description
7	PLL_BP	R/W		PLL bypass
			0	DAC clock generated by PLL
			1	DAC clock provided via external pins CLKN and CLKP (PLL bypass mode)
6	PLL_BUF_PD	R/W		PLL test buffer control
			0	Power-down mode
			1	enabled
5	PLL_PLL_PD	R/W		PLL and CKGEN control
			0	Power-down mode
			1	enable
4 to 3	PLL_DIV[1:0]	R/W		PLL divider factor
			00	$f_s = 2 \times f_{data}$
			01	$f_s = 4 \times f_{data}$
			10	$f_s = 8 \times f$
			11	undefined
2 to 1	PLL_PHASE[1:0]	R/W		PLL phase shift
			00	0 degrees phase shift of f_s
			01	120 degrees phase shift of f_s
			10	240 degrees phase shift of f_s
			11	240 degrees phase shift of f_s
0	PLL_OSC_PD	R/W		PLL oscillator output power-down
			0	Power-down mode
			1	enabled

Table 25. NCO frequency registers (address 04h to 08h) bit description

Default values are shown highlighted.

Address	Register	Bit	Symbol	Access	Value	Description
04h	FREQNCO_B0	7 to 0	FREQ_NCO[7:0]	R/W	-	NCO frequency (two's complement coding) least significant 8 bits for the NCO frequency setting
05h	FREQNCO_B1	7 to 0	FREQ_NCO[15:8]		-	intermediate 8 bits for the NCO frequency setting
06h	FREQNCO_B2	7 to 0	FREQ_NCO[23:16]		-	intermediate 8 bits for the NCO frequency setting
07h	FREQNCO_B3	7 to 0	FREQ_NCO[31:24]		-	intermediate 8 bits for the NCO frequency setting
08h	FREQNCO_B4	7 to 0	FREQ_NCO[39:32]		-	most significant 8 bits for the NCO frequency setting

Table 26. DAC output phase correction registers (address 09h to 0Ah) bit description

Default values are shown highlighted.

Address	Register	Bit	Symbol	Access	Value	Description
09h	PH_CORR_CTL0	7 to 0	PHASE_COR[7:0]	R/W	-	DAC output phase correction factor (LSB) least significant 8 bits for the DAC output phase correction factor
0Ah	PH_CORR_CTL1	7	PH_COR_ENA	R/W	0	DAC output phase correction control DAC output phase correction disabled
					1	DAC output phase correction enabled
		4 to 0	PHASE_COR[12:8]	R/W	00000	DAC output phase correction factor MSB most significant 5 bits for the DAC output phase correction factor

Table 27. Digital gain control registers (address 0Bh to 0Eh) bit description

Default values are shown highlighted.

Address	Register	Bit	Symbol	Access	Value	Description
0Bh	DAC_A_DGAIN_LSB	7 to 0	DAC_A_DGAIN[7:0]	R/W	-	DAC A digital gain control least significant 8 bits for the DAC A digital gain
0Ch	DAC_A_DGAIN_MSB	3 to 0	DAC_A_DGAIN[11:8]		-	most significant 4 bits for the DAC A digital gain
0Dh	DAC_B_DGAIN_LSB	7 to 0	DAC_B_DGAIN[7:0]	R/W	-	DAC B digital gain control least significant 8 bits for the DAC B digital gain
0Eh	DAC_B_DGAIN_MSB	3 to 0	DAC_B_DGAIN[11:8]		-	most significant 4 bits for the DAC B digital gain

Table 28. Register DAC_OUT_CTRL (address 0Fh)

Default values are shown highlighted.

Bit	Symbol	Access	Value	Description
3	A_DGAIN_E	R/W		DAC A digital gain control
			0	disable
			1	enable
2	B_DGAIN_E	R/W		DAC B digital gain control
			0	disable
			1	enable
1	MINUS_3DB	R/W		DAC attenuation control
			0	unity gain
			1	-3 dB gain
0	CLIPPING_ENA	R/W		Digital DAC output clipping control
			0	disable
			1	enable

Table 29. Register DAC_CLIPPING (address 10h)

Default values are shown highlighted.

Bit	Symbol	Access	Value	Description
7 to 0	CLIPPING_LEVEL[7:0]	R/W	-	Digital DAC output clipping level value

Table 30. Digital offset value registers (address 11h to 14h) bit description

Default values are shown highlighted.

Address	Register	Bit	Symbol	Access	Value	Description
11h	DAC_A_OFFSET_LSB	7 to 0	DAC_A_OFFSET[7:0]	R/W		DAC A digital offset value
					-	least significant 8 bits for the DAC A digital offset
12h	DAC_A_OFFSET_MSB	7 to 0	DAC_A_OFFSET[15:8]		-	most significant 8 bits for the DAC A digital offset
13h	DAC_B_OFFSET_LSB	7 to 0	DAC_B_OFFSET[7:0]	R/W		DAC B digital offset value
					-	least significant 8 bits for the DAC B digital offset
14h	DAC_B_OFFSET_MSB	7 to 0	DAC_B_OFFSET[15:8]		-	most significant 8 bits for the DAC B digital offset

Table 31. NCO phase offset registers (address 15h to 16h) bit description

Default values are shown highlighted.

Address	Register	Bit	Symbol	Access	Value	Description
15h	PHINCO_LSB	7 to 0	PH_NCO[7:0]	R/W		NCO phase offset
					-	least significant 8 bits for the NCO phase setting
16h	PHINCO_MSB	7 to 0	PH_NCO[15:8]		-	most significant 8 bits for the NCO phase setting

Table 32. Analog gain control (address 17h to 1Ah) bit description

Default values are shown highlighted.

Address	Register	Bit	Symbol	Access	Value	Description
17h	DAC_A_GAIN1	7 to 0	DAC_A_GAIN[7:0]	R/W	-	DAC A analog gain control (LSB)
18h	DAC_A_GAIN2	7 to 6	DAC_A_GAIN[9:8]	R/W	-	DAC A analog gain control (MSB)
19h	DAC_B_GAIN1	7 to 0	DAC_B_GAIN[7:0]	R/W	-	DAC B analog gain control (LSB)
1Ah	DAC_B_GAIN2	7 to 6	DAC_B_GAIN[9:8]	R/W	-	DAC B analog gain control (MSB)

Table 33. Auxiliary DAC registers (address 1Bh to 1Eh) bit description

Default values are shown highlighted.

Address	Register	Bit	Symbol	Access	Value	Description
1Bh	DAC_A_AUX_MSB	7 to 0	AUX_A[9:2]	R/W	-	most significant 8 bits for auxiliary DAC A
1Ch	DAC_A_AUX_LSB	7	AUX_A_PON	R/W	-	auxiliary DAC A power
					0	off
					1	on
		1 to 0	AUX_A[1:0]	R/W	-	least significant 2 bits for auxiliary DAC A
1Dh	DAC_B_AUX_MSB	7 to 0	AUX_B[9:2]	R/W	-	most significant 8 bits for auxiliary DAC B
1Eh	DAC_B_AUX_LSB	7	AUX_B_PON	R/W	-	auxiliary DAC B power
					0	off
					1	on
		1 to 0	AUX_B[1:0]	R/W	-	least significant 2 bits for auxiliary DAC B

Table 34. SPI_PAGE register (address 1Fh) bit description

Default values are shown highlighted.

Bit	Symbol	Access	Value	Description
2 to 0	PAGE[2:0]	R/W	-	SPI page address

11.22.5 Page 1 allocation map

[Table 35](#) shows an overview of all registers on page 1 (01h in hexadecimal).

Table 35. Page 1 register allocation map

Address	Register name	R/W	Bit definition							
			Bit 7	Bit 6	Bit 5	Bit 4	Bit 3	Bit 2	Bit 1	
0 00h	MDS_MAIN	R/W	MDS_EQCHECK[1:0]	MDS_RUN	MDS_NCO	MDS_NCO_PULSE	MDS_SREF_DIS	MDS_MAST		
1 01h	MDS_WIN_PERIOD_A	R/W	MDS_WIN_PERIOD_A[7:0]							
2 02h	MDS_WIN_PERIOD_B	R/W	MDS_WIN_PERIOD_B[7:0]							
3 03h	MDS_MISCCNTRL0	R/W	-	-	-	MDS_EVAL_ENA	MDS_PRERUN_E	MDS_PULSEW		
4 04h	MDS_MAN_ADJUSTDLY	R/W	MDS_MAN	MDS_MAN_ADJUSTDLY[6:0]						
5 05h	MDS_AUTO_CYCLES	R/W	MDS_AUTO_CYCLES[7:0]							
6 06h	MDS_MISCCNTRL1	R/W	MDS_SR_CKEN	MDS_SR_LOCKOUT	MDS_SR_LOCK	MDS_RELOCK	MDS_LOCK_DELAY[3:0]			
7 07h	MDS_OFFSET_DLY	RW	-	-	-	MDS_OFFSET_DLY[4:0]				
8 08h	MDS_ADJDELAY	RW	MDS_ADJDELAY[6:0]							
9 09h	MDS_STATUS0	R	EARLY	LATE	EQUAL	MDS_EQ	EARLY_ERROR	LATE_ERROR		
10 0Ah	MDS_STATUS1	R	-	-	ADD_ERR	MDS_EN_PHASE[1:0]	MDS_PRERUN	MDS_LOCK		
11 0Bh	INTR_CTRL	RW	-	-	-	-	INTR_CLEAR	INTR_LOCK		
12 0Ch	INTR_EN	RW	MAQB_EN	MAQA_EN	AUTO_DL_EN	AUTO_CAL_EN	FLAG_DL_EN	PARBE_EN		
13 0Dh	INTR_FLAGS	R	MAQB_RDY	MAQA_RDY	AUTO_DL_RDY	AUTO_CAL_RDY	FLAG_DL_ERR	PARBE_ERR		
14 0Eh	DAC_CURRENT_AUX	R/W	-	-	-	-	DAC_AUX_BIAS[3:0]			

Table 35. Page 1 register allocation map ...continued

Address	Register name	R/W	Bit definition								
			Bit 7	Bit 6	Bit 5	Bit 4	Bit 3	Bit 2	Bit 1		
15	0Fh DAC_CURRENT_0	R/W	-	-	-	-	-	-	DAC_DIG_BIAS[3:0]	Bit 2	Bit 1
16	10h DAC_CURRENT_1	R/W	-	-	-	-	-	-	DAC_MST_BIAS[3:0]	DAC_DRV_BIAS[3:0]	
17	11h DAC_CURRENT_2	R/W	-	-	-	-	-	-	DAC_SLV_BIAS[3:0]	DAC_SLV_BIAS[3:0]	
18	12h DAC_CURRENT_3	R/W	-	-	-	-	-	-	DAC_CK_BIAS[3:0]	DAC_CK_BIAS[3:0]	
19	13h DAC_CURRENT_4	R/W	-	-	-	-	-	-	DAC_CAS_BIAS[3:0]	DAC_CAS_BIAS[3:0]	
20	14h DAC_CURRENT_5	R/W	-	-	-	-	-	-	DAC_COM_BIAS[3:0]	DAC_COM_BIAS[3:0]	
21	15h DAC_CURRENT_6	R/W	-	-	-	-	-	-	DAC_A_SLEEP	DAC_A_PD	DAC_COM_SLEEP
22	16h DAC_PON_SLEEP	R/W	DAC_B_PON	DAC_B_SLEEP	DAC_B_COM_PD	DAC_B_BLEED_PD	-	-	-	-	PLL_DIG_DE
23	17h DAC_CLKDIG_DELAY	R/W	-	-	-	-	-	-	-	-	-
31	1Fh PAGE_ADDRESS	R/W	-	-	-	-	-	-	-	-	PAGE[2]

[1] u = undefined at power-up or after reset.

11.22.6 Page 1 bit definition detailed description

The tables in this section contain detailed descriptions of the page 1 registers.

Table 36. MDS_MAIN register (address 00h) bit description

Default values are shown highlighted.

Bit	Symbol	Access	Value	Description
7 to 6	MDS_EQCHECK[1:0]	R/W		lock mode
			00	lock when (early = 1 and late = 1)
			01	lock when (early = 1, late = 1 and equal = 1)
			10	lock when equal = 1
			11	force lock (equal-check = 1)
5	MDS_RUN	R/W		evaluation process restart control
			0	no action
4	MDS_NCO	R/W		NCO synchronization
			0	no action
3	MDS_NCO_PULSE	R/W		NCO pulse
			0	no action
2	MDS_SREF_DIS	R/W		internal pulse generation
			1	disable
1	MDS_MASTER	R/W		MDS mode selection
			0	slave mode
0	MDS_ENA	R/W		MDS function control
			0	disable
			1	enable

Table 37. MDS window time registers (address 01h to 02h) bit description

Default values are shown highlighted.

Address	Register	Bit	Symbol	Access	Value	Description
01h	MDS_WIN_PERIOD_A	7 to 0	MDS_WIN_PERIOD_A[7:0]	R/W	-	determines MDS window LOW time
02h	MDS_WIN_PERIOD_B	7 to 0	MDS_WIN_PERIOD_B[7:0]	R/W	-	determines MDS window HIGH time

Table 38. MDS_MISCCNTRL0 register (address 03h) bit description

Default values are shown highlighted.

Bit	Symbol	Access	Value	Description
4	MDS_EVAL_ENA	R/W		MDS evaluation
			0	disable
			1	enable

Table 38. MDS_MISCCNTRL0 register (address 03h) bit description ...continued

Default values are shown highlighted.

Bit	Symbol	Access	Value	Description
3	MDS_PRERUN_ENA	R/W		automatic MDS start-up
			0	no mds_win/mds_ref generation in advance
			1	mds_win/mds_ref run-in before mds_evaluation
2 to 0	MDS_PULSEWIDTH[2:0]	R/W		width of MDS (in output clock periods)
			000	1 DAC clock period
			001	2 DAC clock periods
			010 to 111	$(\text{mds_pulsewidth} - 1) \times 4$ DAC clock periods

Table 39. MDS_MAN_ADJUSTDLY register (address 04h) bit description

Default values are shown highlighted.

Bit	Symbol	Access	Value	Description
7	MDS_MAN	R/W		adjustment delays mode
			0	auto-control adjustment delays
			1	manual control adjustment delays
6 to 0	MDS_MAN_ADJUSTDLY[6:0]	R/W		adjustment delay value
			-	if MDS_MAN = 0 then initial value adjustment delay
			-	if MDS_MAN = 1 then controls adjustment delay

Table 40. MDS_AUTO_CYCLES register (address 05h) bit description

Default values are shown highlighted.

Bit	Symbol	Access	Value	Description
7 to 0	MDS_AUTO_CYCLES[7:0]	R/W	-	number of evaluation cycles applied for MDS. If set to 255, then IC continuously generates/monitors the MDS pulse

Table 41. MDS_MISCCNTRL1 register (address 06h) bit description

Default values are shown highlighted.

Bit	Symbol	Access	Value	Description
7	MDS_SR_CKEN	R/W	-	lock mode
			0	free-running MDS_SR_CKEN
			1	MDS_SR_CKEN forced low
6	MDS_SR_LOCKOUT	R/W		lockout detector soft reset
			0	MDS_SR_LOCKOUT in use
			1	MDS_SR_LOCKOUT forced low
5	MDS_SR_LOCK	R/W		lock detector soft reset
			0	MDS_SR_LOCK in use
			1	MDS_SR_LOCK forced low
4	MDS_RELOCK	R/W		relock mode
			0	no action
			1	relock when lockout occurs
3 to 0	MDS_LOCK_DELAY[3:0]	R/W	-	number of succeeding 'equal' detections until lock

Table 42. MDS_OFFSET_DLY register (address 07h) bit description*Default values are shown highlighted.*

Bit	Symbol	Access	Value	Description
4 to 0	MDS_OFFSET_DLY[6:0]	R/W	-	delay offset for dataflow (two's complement [-16 to 15])

Table 43. MDS_ADJDELAY register (address 08h) bit description*Default values are shown highlighted.*

Bit	Symbol	Access	Value	Description
6 to 0	MDS_ADJDELAY[6:0]	R	-	actual value adjustment delay

Table 44. MDS status registers (address 09h to 0Ah) bit description*Default values are shown highlighted.*

Address	Register	Bit	Symbol	Access	Value	Description
09h	MDS_STATUS0	7	EARLY	R		early signal (sampled) from early-to-late detector
					0	false
					1	true
		6	LATE	R		late signal (sampled) from early-to-late detector
					0	false
					1	true
		5	EQUAL	R		equal signal (sampled) from early-to-late detector
					0	false
					1	true
		4	MDS_LOCK	R		result equal-check
					0	false
					1	true
		3	EARLY_ERROR	R		adjustment delay maximum value stops the search
					0	false
					1	true
		2	LATE_ERROR	R		adjustment delay minimum value stops the search
					0	false
					1	true
		1	EQUAL_FOUND	R		evaluation logic has detected equal condition
					0	false
					1	true
		0	MDS_ACTIVE	R		evaluation logic active
					0	false
					1	true

Table 44. MDS status registers (address 09h to 0Ah) bit description ...continued

Default values are shown highlighted.

Address	Register	Bit	Symbol	Access	Value	Description	
0Ah	MDS_STATUS1	5	ADD_ERR	R		adjustment delay error detection	
					0	OK	
			1	delay offset cannot be applied in available range			
		4 to 3	MDS_EN_PHASE[1:0]	R			MDS enable phase
						00	enable phase = 0
						01	enable phase = 1 (only for x2)
						10	enable phase = 2 (only for x2 and x4)
			11	enable phase = 3 (only for x2)			
		2	MDS_PRERUN	R			MDS-PRERUN phase active flag
						0	false
	1	true					
1	MDS_LOCKOUT	R			MDS_LOCKOUT detected flag		
				0	false		
	1	true					
0	MDS_LOCK	R			MDS_LOCK flag		
				0	false		
	1	true					

Table 45. Interrupt control register (address 0Bh) bit description

Default values are shown highlighted.

Bit	Symbol	Access	Value	Description
3	INTR_CTRL	R/W		internal interrupt and flags clearance
			0	disabled
			1	enabled
2 to 0	INTR_MON_DCLK_RANGE	R/W		Interrupt condition as related to the DCLK monitoring
			00	mon_dclk_flag when mon_dclk drifts to (1 or 5) (detect small drift)
			01	mon_dclk_flag when mon_dclk drifts to (2 or 4) (detect large drift)
			10	mon_dclk_flag when mon_dclk drifts to (3) (detect maximum drift)
			11	mon_dclk_flag disabled

Table 46. Interrupt enable register (address 0Ch) bit description*Default values are shown highlighted.*

Bit	Symbol	Access	Value	Description
7	MAQB_EN	R/W		acquisition module B interrupt
			0	disabled
			1	enabled
6	MAQA_EN	R/W		acquisition module A interrupt
			0	disabled
			1	enabled
5	AUTO_DL_EN	R/W		automatic download MTP interrupt
			0	disabled
			1	enabled
4	AUTO_CAL_EN	R/W		LVDS automatic calibration interrupt
			0	disabled
			1	enabled
3	FLAG_DL_EN	R/W		MTP download error interrupt
			0	disabled
			1	enabled
2	LCLKSAMP_EN	R/W		lclk sampling monitor error interrupt
			0	disabled
			1	enabled
1	PARBER_EN	R/W		LVDS parity or ber error interrupt
			0	disabled
			1	enabled
0	MON_DCLK_EN	R/W		dclk monitor error interrupt
			0	disabled
			1	enabled

Table 47. INTR_FLAGS register (address 0Dh) bit description*Default values are shown highlighted.*

Bit	Symbol	Access	Value	Description
7	MAQB_RDY	R		acquisition module B status
			0	not ready
			1	ready
6	MAQA_RDY	R		acquisition module A status
			0	not ready
			1	ready
5	AUTO_DL_RDY	R		automatic download MTP status
			0	not ready
			1	ready
4	AUTO_CAL_RDY	R		LVDS automatic calibration status
			0	not ready
			1	ready

Table 47. INTR_FLAGS register (address 0Dh) bit description ...continued

Default values are shown highlighted.

Bit	Symbol	Access	Value	Description
3	FLAG_DL_ERR	R		error during MTP download
			0	no error
			1	error detected
			2	LCLKSAMP_ERR
0	no error			
			1	error detected
			1	PARBER_ERR
0	no error			
			1	error detected
			0	MON_DCLK_ERR
0	no error			
			1	error detected

Table 48. Bias current control registers (address 0Eh to 15h) bit description

Default values are shown highlighted.

Address	Register	Bit	Symbol	Access	Value	Description
0Eh	DAC_CURRENT_AUX	3 to 0	DAC_AUX_BIAS[3:0]	R/W	-	bias current control (see Table 49)
0Fh	DAC_CURRENT_0	3 to 0	DAC_DIG_BIAS[3:0]		-	
10h	DAC_CURRENT_1	3 to 0	DAC_MST_BIAS[3:0]		-	
11h	DAC_CURRENT_2	3 to 0	DAC_DRV_BIAS[3:0]		-	
12h	DAC_CURRENT_3	3 to 0	DAC_SLV_BIAS[3:0]		-	
13h	DAC_CURRENT_4	3 to 0	DAC_CK_BIAS[3:0]		-	
14h	DAC_CURRENT_5	3 to 0	DAC_CAS_BIAS[3:0]		-	
15h	DAC_CURRENT_6 ^[2]	3 to 0	DAC_COM_BIAS[3:0]		-	

[1] All default values (except for register DAC_current_6) are OK for good performance over Process Voltage and Temperature.

[2] The register DAC_current_6 (address 0X15) must be set to 0X0A.

Table 49. Bias current control table

BIAS[3:0]	Deviation from nominal current
0 0 0 0	-35 %
0 0 0 1	-30 %
0 0 1 0	-25 %
0 0 1 1	-20 %
0 1 0 0	-15 %
0 1 0 1	-10 %
0 1 1 0	-5 %
0 1 1 1	+0 % (default)
1 0 0 0	+5 %
1 0 0 1	+10 %
1 0 1 0	+15 %

Table 49. Bias current control table ...continued

BIAS[3:0]	Deviation from nominal current
1 0 1 1	+20 %
1 1 0 0	+25 %
1 1 0 1	+30 %
1 1 1 0	+35 %
1 1 1 1	+40 %

Table 50. DAC_PON_SLEEP register (address 16h) bit description

Default values are shown highlighted.

Bit	Symbol	Access	Value	Description
7	DAC_B_PON	R/W	-	DAC B power control
			0	power-down
			1	power on
6	DAC_B_SLEEP	R	-	DAC B mode selection
			0	normal operation
			1	Sleep mode
5	DAC_B_COM_PD	R	-	commutator B control
			0	disable (power-down)
			1	enable
4	DAC_B_BLEED_PD	R	-	DAC B bleed current control
			0	disable (power-down)
			1	enable
3	DAC_A_PON	R	-	DAC A power control
			0	power-down
			1	power on
2	DAC_A_SLEEP	R	-	DAC B mode selection
			0	normal operation
			1	Sleep mode
1	DAC_A_COM_PD	R	-	commutator A control
			0	disable (power-down)
			1	enable
0	DAC_A_BLEED_PD	R	-	DAC A bleed current control
			0	disable (power-down)
			1	enable

Table 51. DAC_TEST_8 register (address 17h) bit description

Default values are shown highlighted.

Bit	Symbol	Access	Value	Description
2 to 0	PLL_DIG_DELAY[2:0]	R/W	-	digital clock delay offset of PLL/CKGEN_DIV8

Table 52. SPI_PAGE register (address 1Fh) bit description*Default values are shown highlighted.*

Bit	Symbol	Access	Value	Description
2 to 0	PAGE[2:0]	R/W	-	SPI page address

11.22.7 Page A register allocation map

[Table 53](#) shows an overview of all registers on page A (0Ah in hexadecimal).

Table 53. Page_0A register allocation map

Address	Register name	R/W	Bit definition							
			Bit 7	Bit 6	Bit 5	Bit 4	Bit 3	Bit 2	Bit 1	
0 00h	MAIN_CNTRL	R/W	-	-	-	LD_PD	PD_CNTRL	CAL_CNTRL	RST_DCKL	
1 01h	MAN_LDCLKDEL	R/W	-	-	-	-	-	LDCLK_DEL[3:0]	RESERVED	
2 02h	DBG_LVDS	R/W	-	-	-	-	SBER	RESERVED	RESERVED	
4 04h	RST_EXT_LDCLK	R/W	RST_EXT_LCLK_TIME[7:0]							
5 05h	RST_EXT_DCLK	R/W	RST_EXT_DCLK_TIME[7:0]							
6 06h	DCMSU_PREDIV	R/W	DCMSU_PREDIVIDER[7:0]							
8 08h	LD_POL_LSB	R/W	LD_POL[7:0]							
9 09h	LD_POL_MSB	R/W	LD_POL[15:8]							
10 0Ah	LD_CNTRL	R/W	PARITYC	DESCRAMBLE	SEL_EN[1:0]	WORD_SWAP	LDAB_SWAP	IQ_FORMAT		
11 0Bh	MISC_CNTRL	R/W	SR_CDI	RESERVED	I_LEV_CNTRL[1:0]	Q_LEV_CNTRL[1:0]		CDI_M		
12 0Ch	I_DC_LVL_LSB	R/W	I_DC_LEVEL[7:0]							
13 0Dh	I_DC_LVL_MSB	R/W	I_DC_LEVEL[15:8]							
14 0Eh	Q_DC_LVL_LSB	R/W	Q_DC_LEVEL[7:0]							
15 0Fh	Q_DC_LVL_MSB	R/W	Q_DC_LEVEL[15:8]							
16 10h	IO_MUX0	R/W	IO_SELECT0[7:0]							

Table 53. Page_0A register allocation map ... continued

Address	Register name	R/W	Bit definition						
			Bit 7	Bit 6	Bit 5	Bit 4	Bit 3	Bit 2	Bit 1
17 11h	IO_MUX1	R/W	IO_SELECT1[7:0]						
18 12h	IO_MUX2	R/W	IO_SELECT1[9:8]	-	-	-	IO_SELECT0[9:8]	-	-
27 1Bh	TYPE_ID	R	DAC	FRONTEND[1:0]	DUAL	DSP[1:0]			BIT_F
28 1Ch	DAC_VERSION	R	DAC_VERSION_ID[7:0]						
29 1Dh	DIG_VERSION	R	DIG_VERSION_ID[7:0]						
30 1Eh	LD_VERSION	R	LVDS_VERSION_ID[7:0]						
31 1Fh	PAGE_ADDRESS	R/W	-	-	-	-	-	-	PAGE_ADD[2

11.22.8 Page A bit definition detailed description

The tables in this section contain detailed descriptions of the page A registers.

Table 54. Register MAIN_CNTRL (address 00h)

Default values are shown highlighted.

Bit	Symbol	Access	Value	Description
4	LD_PD	R/W		LVDS interface power-down (control possible only when PD_CNTRL = 1)
			0	switched on
			1	switched off
3	PD_CNTRL	R/W		power-down modes controlled by
			0	DCMSU block
			1	SPI registers
2	CAL_CNTRL	R/W		compensation delay controlled by
			0	DCMSU block (automatic calibration)
			1	SPI registers (manual control)
1	RST_DCLK	R/W		reset DCLK
			0	disable
			1	enable
0	RST_LCLK	R/W		reset LVDS clock
			0	disable
			1	enable

Table 55. Register MAN_LDCLKDEL (address 01h)

Default values are shown highlighted.

Bit	Symbol	Access	Value	Description
3 to 0	LDCLK_DEL[3:0]	R/W		LVDS clock compensation delay (control only if CAL_CNTRL = 1)
			-	4-bit compensation delay for LVDS clock

Table 56. Register DBG_LVDS (address 02h)

Default values are shown highlighted.

Bit	Symbol	Access	Value	Description
3	SBER	R/W		simple BER control
			0	no action
			1	simple BER active
2 to 0	RESERVED	R/W	000	reserved

Table 57. Extension time reset registers (address 04h to 05h) bit description

Default values are shown highlighted.

Address	Register	Bit	Symbol	Access	Value	Description
04h	RST_EXT_LCLK	7 to 0	RST_EXT_LCLK_TIME[7:0]	R/W		specifies extension time reset, expressed in LVDS clock period
					-	8 bits for the extension time reset
05h	RST_EXT_DCLK	7 to 0	RST_EXT_DCLK_TIME[7:0]	R/W		specifies extension time reset, expressed in DCLK period
					-	8 bits for the extension time reset

Table 58. Register DCMSU_PREDIV (address 06h)

Default values are shown highlighted.

Bit	Symbol	Access	Value	Description
7 to 0	DCMSU_PREDIVIDER[7:0]	R/W		predivider value for the DCMSU, expressed in LVDS clock period
			-	8 bits for the predivider value

Table 59. LSB/MSB of polarity registers (address 08h to 09h) bit description

Default values are shown highlighted.

Address	Register	Bit	Symbol	Access	Value	Description
08h	LD_POL_LSB	7 to 0	LD_POL[7:0]	R/W		toggles polarity of corresponding bit pair within LD[7:0]
					-	least significant 6 bits for the polarity toggle
09h	LD_POL_MSB	7 to 0	LD_POL[15:8]		-	most significant 6 bits for the polarity toggle

Table 60. Register LD_CNTRL (address 0Ah)

Default values are shown highlighted.

Bit	Symbol	Access	Value	Description
7	PARITYC	R/W		parity check
			0	disable
			1	enable
6	DESCRAMBLE	R/W		Descramble control
			0	disable descrambling
			1	enable descrambling
5 to 4	SEL_EN[1:0]	R/W		LVDS data enable
			00	LVDS data enable = align signal from channel A
			01	LVDS data enable = align signal from channel B
			10	LVDS data enable = 0
			11	LVDS data enable = 1
3	WORD_SWAP	R/W		reverse order for LVDS path
			0	normal operation
			1	MSB to LSB order reversed
2	LDAB_SWAP	R/W		swaps LVDS A and LVDS B paths
			0	normal operation
			1	LVDS A and LVDS B paths are swapped
1	IQ_FORMAT	R/W		specify IQ supplied format
			0	folded
			1	interleaved
0	EDGE_LDCLK	R/W		specify sampling edge for LVDS data path
			0	falling edge of LDCLK
			1	rising edge of LDCLK

Table 61. Register MISC_CNTRL (address 0Bh)

Default values are shown highlighted.

Bit	Symbol	Access	Value	Description
7	SR_CDI	R/W		CDI block software reset control
			0	no action
			1	perform a software reset on CDI
6	RESERVED	R/W	0	reserved
5 to 4	I_LEV_CNTRL[1:0]	R/W		specifies output from CDI for I path
			00	normal operation (CDI data output sent to digital signal processing input)
			01	if LVDS data enable = 1, then normal operation; if LVDS data enable = 0, then digital signal processing input = I_DC_LEVEL register value
			10	digital signal processing input = I_DC_LEVEL
			11	digital signal processing input = I_DC_LEVEL
3 to 2	Q_LEV_CNTRL[1:0]	R/W		specifies output from CDI for Q path
			00	normal operation (CDI data output sent to digital signal processing input)
			01	if LVDS data enable = 1, then normal operation; if LVDS data enable = 0, then digital signal processing input = Q_DC_LEVEL register value
			10	digital signal processing input = Q_DC_LEVEL
			11	digital signal processing input = Q_DC_LEVEL
1 to 0	CDI_MODE[1:0]	R/W		specifies CDI mode
			00	cdi_mode 0 (x2 mode)
			01	cdi_mode 1 (x4 mode)
			10	cdi_mode 2 (x8 mode)
			11	not used

Table 62. LDS/MDS of I/Q DC levels registers (address 0Ch to 0Fh) bit description

Default values are shown highlighted.

Address	Register	Bit	Symbol	Access	Value	Description
0Ch	I_DC_LVL_LSB	7 to 0	I_DC_LEVEL[7:0]	R/W		I_DC_LEVEL
					-	least significant 8 bits for I_DC_LEVEL
0Dh	I_DC_LVL_MSB	7 to 0	I_DC_LEVEL[15:8]		-	most significant 8 bits for I_DC_LEVEL
0Eh	Q_DC_LVL_LSB	7 to 0	Q_DC_LEVEL[7:0]	R/W		Q_DC_LEVEL
					-	least significant 8 bits for Q_DC_LEVEL
0Fh	Q_DC_LVL_MSB	7 to 0	Q_DC_LEVEL[15:8]		-	most significant 8 bits for Q_DC_LEVEL

Table 63. Register IO_MUX0 and IO_MUX2 (address 10h and 12h)*Default values are shown highlighted.*

IO_SELECT0[9:0]	Signal on pin IO0	Description
00 0000 0000	lclk	internal LVDS lclk clock
00 0000 0001	ringo	internal low frequency oscillator (approximately 1 MHz)
01 0000 nnnn	Ldout_A<nnnn>	internal LVDS data bit of channel A (<nnnn> = 15 to 0; enabling the selection of the bit number to be observed)
10 0000 1111	AND (Ldout_B bits)	AND result of the 16 LVDS data bits of channel B
10 0001 1111	OR (Ldout_B bits)	OR result of the 16 LVDS data bits of channel B
10 0010 1111	AND (Ldout_A bits)	AND result of the 16 LVDS data bits of channel A
10 0011 1111	OR (Ldout_A bits)	OR result of the 16 LVDS data bits of channel A
11 1100 0000	$\overline{\text{INTR}}$	active low interrupt signal
11 1100 0001	INTR	active high interrupt signal
11 1111 1110	1	set the general-purpose IO to high level
11 1111 1111	0	set the general-purpose IO to low level

Table 64. Register IO_MUX1 and IO_MUX2 (address 11h and 12h)*Default values are shown highlighted.*

IO_SELECT1[9:0]	Signal on pin IO1	Description
00 0000 0000	dclk	internal dclk clock ($f_s / 8$ frequency)
01 0000 nnnn	Ldout_B<nnnn>	internal LVDS data bit of channel B (<nnnn> = 15 to 0; enabling the selection bit number to be observed)
10 0000 1111	AND (Ldout_B bits)	AND result of the 16 LVDS data bits of channel B
10 0001 1111	OR (Ldout_B bits)	OR result of the 16 LVDS data bits of channel B
10 0010 1111	AND (Ldout_A bits)	AND result of the 16 LVDS data bits of channel A
10 0011 1111	OR (Ldout_A bits)	OR result of the 16 LVDS data bits of channel A
11 1100 0000	$\overline{\text{INTR}}$	active low interrupt signal
11 1100 0001	INTR	active high interrupt signal
11 1111 1110	0	set the general-purpose IO to low level
11 1111 1111	1	set the general-purpose IO to high level

Table 65. Register TYPE_ID (address 1Bh)

Default values are shown highlighted.

Bit	Symbol	Access	Value	Description
7	DAC	R		calibration
			0	uncalibrated device
			1	calibrated device
6 to 5	FRONTEND	R	01	LVDS input interface
4	DUAL	R	0	dual DAC
3 to 2	DSP	R		internal digital signal processing
			11	interpolation filter + SSBM
			10	SSBM
			01	interpolation filter
			00	none
1 to 0	BIT_RES	R		DAC bit resolution
			00	16 bits
			01	14 bits
			10	12 bits
			11	10 bits

Table 66. Register DAC_VERSION (address 1Ch)

Default values are shown highlighted.

Bit	Symbol	Access	Value	Description
7 to 0	DAC_VERSION_ID[7:0]	R		DAC version number
			-	8 bits for the DAC version number

Table 67. Register DIG_VERSION (address 1Dh)

Default values are shown highlighted.

Bit	Symbol	Access	Value	Description
7 to 0	DIG_VERSION_ID[7:0]	R		digital version number
			-	8 bits for the digital version number

Table 68. Register LVDS_VERSION (address 1Eh)

Default values are shown highlighted.

Bit	Symbol	Access	Value	Description
7 to 0	LVDS_VERSION_ID[7:0]	R		LVDS receiver version number
			-	8 bits for the LVDS receiver version number

Table 69. Register PAGE_ADD (address 1Fh)

Default values are shown highlighted.

Bit	Symbol	Access	Value	Description
2 to 0	PAGE_ADD[2:0]	R/W		Page address
			-	current page address

12. Package outline

HVQFN72: plastic thermal enhanced very thin quad flat package; no leads;
72 terminals; body 10 x 10 x 0.85 mm

SOT813-3

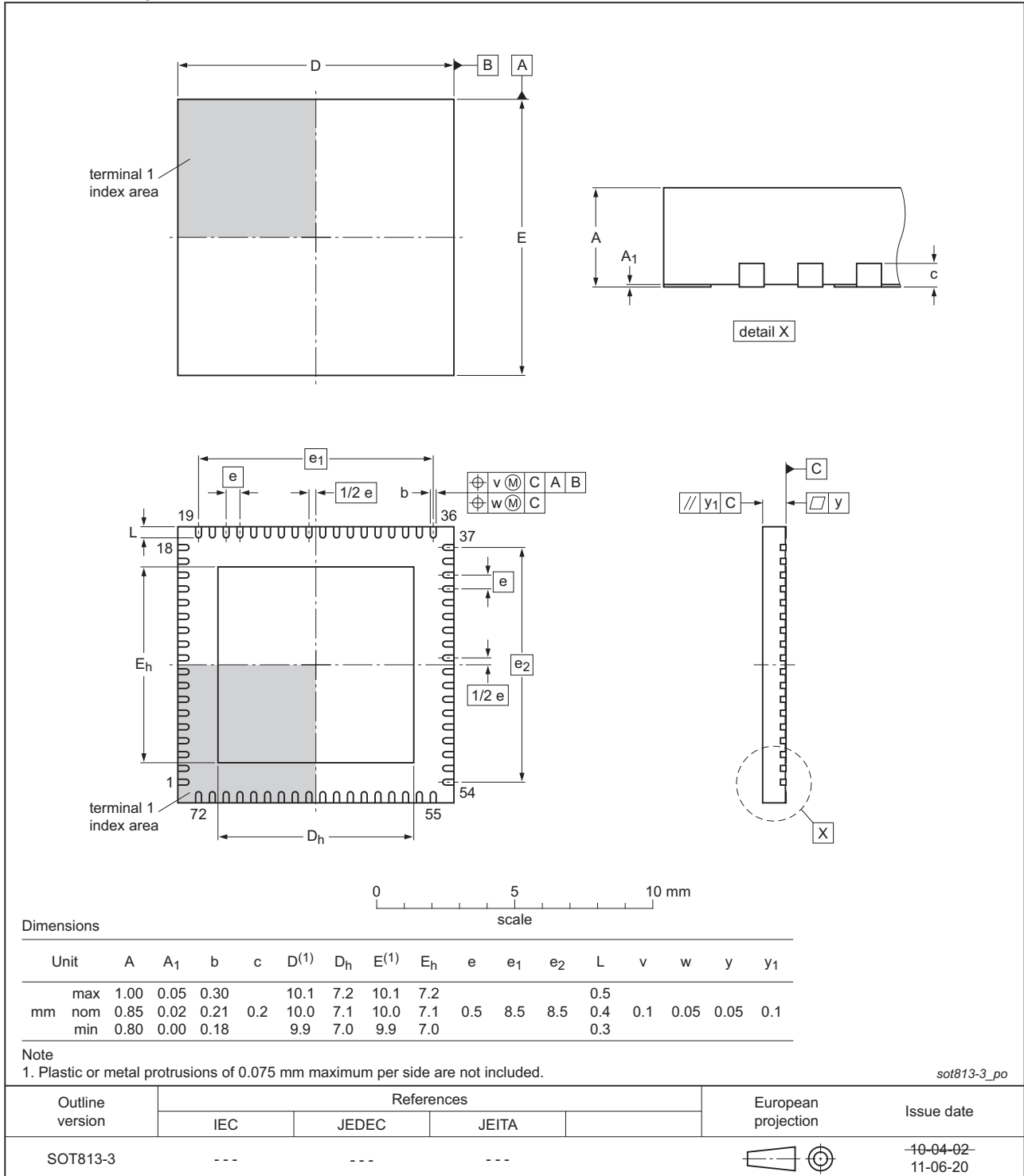


Fig 49. Package outline SOT813-3 (HVQFN72)

13. Abbreviations

Table 70. Abbreviations

Acronym	Description
BW	BandWidth
BWA	Broadband Wireless Access
CDI	Clock Domain Interface
CDMA	Code Division Multiple Access
CML	Current Mode Logic
CMOS	Complementary Metal Oxide Semiconductor
DAC	Digital-to-Analog Converter
EDGE	Enhanced Data rates for GSM Evolution
FIR	Finite Impulse Response
FPGA	Field Programmable Gate Array
GSM	Global System for Mobile communications
IF	Intermediate Frequency
IMD3	Third Order InterMoDulation
LMDS	Local Multipoint Distribution Service
LO	Local Oscillator
LVDS	Low-Voltage Differential Signaling
NCO	Numerically Controlled Oscillator
NMOS	Negative Metal-Oxide Semiconductor
PLL	Phase-Locked Loop
SFDR	Spurious-Free Dynamic Range
SPI	Serial Peripheral Interface
WCDMA	Wide band Code Division Multiple Access
WLL	Wireless Local Loop

14. Glossary

14.1 Static parameters

INL — The deviation of the transfer function from a best fit straight line (linear regression computation).

DNL — The difference between the ideal and the measured output value between successive DAC codes.

14.2 Dynamic parameters

Spurious-Free Dynamic Range (SFDR) — The ratio between the RMS value of the reconstructed output sine wave and the RMS value of the largest spurious observed (harmonic and non-harmonic, excluding DC component) in the frequency domain.

Decibels relative to full-scale (dBFS) — Unit used in a digital system to measure the amplitude level in decibel relative to the maximum peak value.

InterModulation Distortion (IMD) — From a dual-tone digital input sine wave (these two frequencies being close together), the intermodulation distortion products IMD2 and IMD3 (second-order and third-order components) are defined below.

IMD2 — The ratio between the RMS value of either tone and the RMS value of the worst second order intermodulation product.

IMD3 — The ratio between the RMS value of either tone and the RMS value of the worst third order Intermodulation product.

Total Harmonic Distortion (THD) — The ratio between the RMS value of the harmonics of the output frequency and the RMS value of the output sine wave. Usually, the calculation of THD is done on the first five harmonics.

Signal-to-Noise Ratio (SNR) — The ratio between the RMS value of the reconstructed output sine wave and the RMS value of the noise excluding the harmonics and the DC component.

Restricted BandWidth Spurious-Free Dynamic Range (SFDR_{RBW}) — the ratio between the RMS value of the reconstructed output sine wave and the RMS value of the noise, including the harmonics, in a given bandwidth centered around f_{offset} .

15. Revision history

Table 71. Revision history

Document ID	Release date	Data sheet status	Change notice	Supersedes
DAC1627D1G25 v.4	20121113	Product data sheet	-	DAC1627D1G25 v.3
DAC1627D1G25 v.3	20120702	Rebranded/updated	-	DAC1627D1G25 v.2
DAC1627D1G25 v.2	20120331	Preliminary data sheet	-	DAC1627D1G25 v.1
DAC1627D1G25 v.1	20110429	Objective data sheet	-	-

Contact information



www.IDT.com

6024 Silver Creek Valley Road
San Jose, California 95138

16. Tables

Table 1. Ordering information	2	Table 41. MDS_MISCCNTRL1 register (address 06h) bit description	62
Table 2. Pin description	4	Table 42. MDS_OFFSET_DLY register (address 07h) bit description	63
Table 3. Limiting values	6	Table 43. MDS_ADJDELAY register (address 08h) bit description	63
Table 4. Thermal characteristics	7	Table 44. MDS status registers (address 09h to 0Ah) bit description	63
Table 5. Characteristics	8	Table 45. Interrupt control register (address 0Bh) bit description	64
Table 6. Read or Write mode access description	19	Table 46. Interrupt enable register (address 0Ch) bit description	65
Table 7. Number of bytes to be transferred	19	Table 47. INTR_FLAGS register (address 0Dh) bit description	65
Table 8. SPI timing characteristics	20	Table 48. Bias current control registers (address 0Eh to 15h) bit description	66
Table 9. Input LVDS bus swapping	22	Table 49. Bias current control table	66
Table 10. Folded and interleaved format mapping	23	Table 50. DAC_PON_SLEEP register (address 16h) bit description	67
Table 11. CDI mode 0: operating modes examples	29	Table 51. DAC_TEST_8 register (address 17h) bit description	67
Table 12. CDI mode 1: operating modes examples	29	Table 52. SPI_PAGE register (address 1Fh) bit description	68
Table 13. CDI mode 2: operating modes examples	30	Table 53. Page_0A register allocation map	69
Table 14. Interpolation filter coefficients	31	Table 54. Register MAIN_CNTRL (address 00h)	71
Table 15. Complex modulator operation mode	34	Table 55. Register MAN_LDCLKDEL (address 01h)	71
Table 16. Inversion filter coefficients	35	Table 56. Register DBG_LVDS (address 02h)	71
Table 17. DAC transfer function	40	Table 57. Extension time reset registers (address 04h to 05h) bit description	71
Table 18. Digital offset adjustment	42	Table 58. Register DCSMU_PREDIV (address 06h)	72
Table 19. Auxiliary DAC transfer function	44	Table 59. LSB/MSB of polarity registers (address 08h to 09h) bit description	72
Table 20. SPI start-up sequence	50	Table 60. Register LD_CNTRL (address 0Ah)	72
Table 21. Page_00 register allocation map	52	Table 61. Register MISC_CNTRL (address 0Bh)	73
Table 22. Register COMMON (address 00h) bit description	54	Table 62. LDS/MDS of I/Q DC levels registers (address 0Ch to 0Fh) bit description	73
Table 23. Register TXCFG (address 01h) bit description	54	Table 63. Register IO_MUX0 and IO_MUX2 (address 10h and 12h)	74
Table 24. Register PLLCFG (address 02h) bit description	55	Table 64. Register IO_MUX1 and IO_MUX2 (address 11h and 12h)	74
Table 25. NCO frequency registers (address 04h to 08h) bit description	56	Table 65. Register TYPE_ID (address 1Bh)	75
Table 26. DAC output phase correction registers (address 09h to 0Ah) bit description	56	Table 66. Register DAC_VERSION (address 1Ch)	75
Table 27. Digital gain control registers (address 0Bh to 0Eh) bit description	56	Table 67. Register DIG_VERSION (address 1Dh)	75
Table 28. Register DAC_OUT_CTRL (address 0Fh)	57	Table 68. Register LVDS_VERSION (address 1Eh)	75
Table 29. Register DAC_CLIPPING (address 10h)	57	Table 69. Register PAGE_ADD (address 1Fh)	75
Table 30. Digital offset value registers (address 11h to 14h) bit description	57	Table 70. Abbreviations	77
Table 31. NCO phase offset registers (address 15h to 16h) bit description	57	Table 71. Revision history	79
Table 32. Analog gain control (address 17h to 1Ah) bit description	58		
Table 33. Auxiliary DAC registers (address 1Bh to 1Eh) bit description	58		
Table 34. SPI_PAGE register (address 1Fh) bit description	58		
Table 35. Page 1 register allocation map	59		
Table 36. MDS_MAIN register (address 00h) bit description	61		
Table 37. MDS window time registers (address 01h to 02h) bit description	61		
Table 38. MDS_MISCCNTRL0 register (address 03h) bit description	61		
Table 39. MDS_MAN_ADJUSTDLY register (address 04h) bit description	62		
Table 40. MDS_AUTO_CYCLES register (address 05h) bit description	62		

17. Contents

1	General description	1	11.11.4	Minus 3dB	35
2	Features and benefits	2	11.12	Inverse sin x / x	35
3	Applications	2	11.13	Multiple Devices Synchronization (MDS)	35
4	Ordering information	2	11.13.1	MDS concept	36
5	Block diagram	3	11.13.1.1	MDS in All slaves mode	38
6	Pinning information	4	11.13.1.2	MDS in Master/slaves mode	39
6.1	Pinning	4	11.13.2	MDS flexibility and constraints	39
6.2	Pin description	4	11.14	DAC transfer function	40
7	Limiting values	6	11.15	Full-scale current	41
8	Thermal characteristics	7	11.15.1	Regulation	41
9	Characteristics	8	11.15.2	Full-scale current adjustment	41
10	Typical characteristics	15	11.16	Limiter/clip control	41
11	Application information	18	11.17	Digital offset adjustment	42
11.1	General description	18	11.18	Analog output	42
11.2	Serial Peripheral Interface (SPI)	19	11.19	Auxiliary DACs	43
11.2.1	Protocol description	19	11.20	Output configuration	44
11.2.2	SPI timing description	20	11.20.1	Basic output configuration	45
11.3	Power-on sequence	20	11.20.2	Low input impedance IQ-modulator interface	46
11.4	LVDS Data Input Format (DIF) block	21	11.20.3	IQ-modulator - DC interface	47
11.4.1	Input port polarity	21	11.20.4	IQ-modulator - AC interface	49
11.4.2	Input port mapping	22	11.21	Design recommendations	49
11.4.3	Input port swapping	22	11.21.1	Power and grounding	49
11.4.4	Input port formatting	23	11.22	Configuration interface	50
11.4.5	Data parity/data enable	24	11.22.1	Register description	50
11.5	Interrupt controller	24	11.22.2	SPI start-up sequence	50
11.6	General-purpose IO pins	24	11.22.3	Page 0 register allocation map	52
11.7	Input clock	24	11.22.4	Page 0 bit definition detailed description	54
11.7.1	LVDS DDR clock	25	11.22.5	Page 1 allocation map	59
11.7.2	DAC core clock	25	11.22.6	Page 1 bit definition detailed description	61
11.8	Timing	26	11.22.7	Page A register allocation map	69
11.9	Operating modes	28	11.22.8	Page A bit definition detailed description	71
11.9.1	CDI mode 0 (x2 interpolation)	29	12	Package outline	76
11.9.2	CDI mode 1 (x4 interpolation)	29	13	Abbreviations	77
11.9.3	CDI mode 2 (x8 interpolation)	30	14	Glossary	78
11.10	FIR filters	30	14.1	Static parameters	78
11.11	Single SideBand Modulator (SSBM)	33	14.2	Dynamic parameters	78
11.11.1	NCO in 40 bits	33	15	Revision history	79
11.11.2	NCO low power	34	16	Tables	80
11.11.3	Complex modulator	34	17	Contents	81

Disclaimer

Integrated Device Technology, Inc. (IDT) and its subsidiaries reserve the right to modify the products and/or specifications described herein at any time and at IDT's sole discretion. All information in this document, including descriptions of product features and performance, is subject to change without notice. Performance specifications and the operating parameters of the described products are determined in the independent state and are not guaranteed to perform the same way when installed in customer products. The information contained herein is provided without representation or warranty of any kind, whether express or implied, including, but not limited to, the suitability of IDT's products for any particular purpose, an implied warranty of merchantability, or non-infringement of the intellectual property rights of others. This document is presented only as a guide and does not convey any license under intellectual property rights of IDT or any third parties.

IDT's products are not intended for use in life support systems or similar devices where the failure or malfunction of an IDT product can be reasonably expected to significantly affect the health or safety of users. Anyone using an IDT product in such a manner does so at their own risk, absent an express, written agreement by IDT.

Integrated Device Technology, IDT and the IDT logo are registered trademarks of IDT. Other trademarks and service marks used herein, including protected names, logos and designs, are the property of IDT or their respective third party owners.

Copyright, 2012. All rights reserved.

Looking for pricing, stock, or lifecycle information?

Click below to explore more details on WIN SOURCE:

- ⊖ [View DAC1627D1G25HN-C18 on WIN SOURCE](#)
- ⊖ [Renesas Electronics America Information](#)

Optimize Your Supply Chain with WIN SOURCE Solutions

- ✓ Global Sourcing Solution
- ✓ Obsolete Management
- ✓ Cost Control Management
- ✓ Shortage Management
- ✓ Alternative Solution
- ✓ Excess Inventory Management