



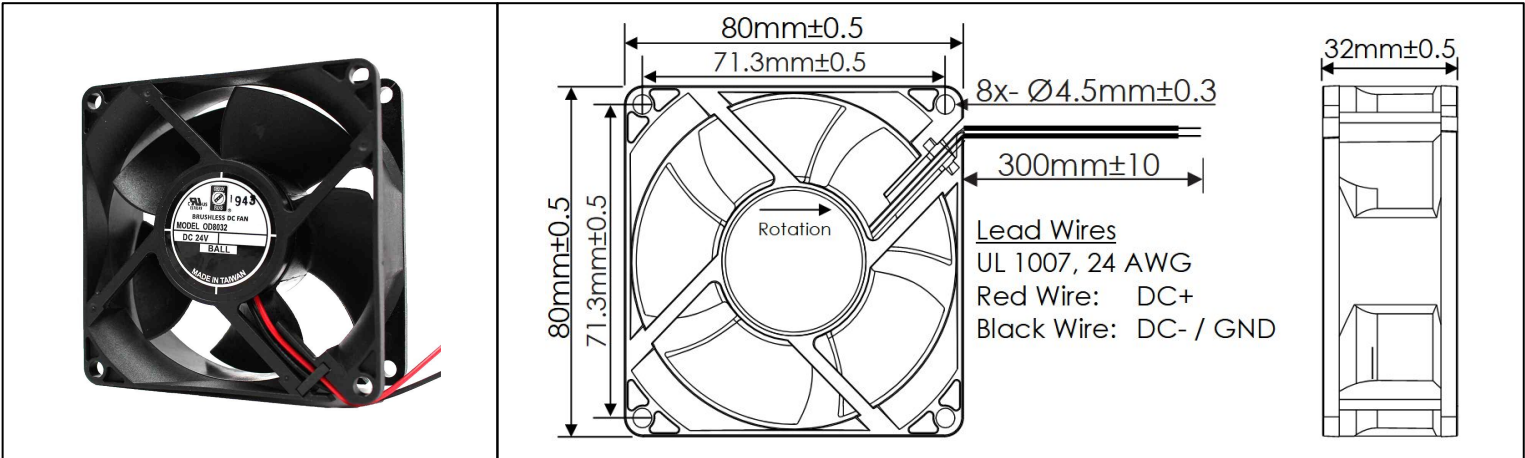
**THE DATASHEET OF  
OD8032-48HB**



# OD8032 Series



DC Fans - 12, 24, 48V  
80mm x 32mm (3.15" x 1.26")



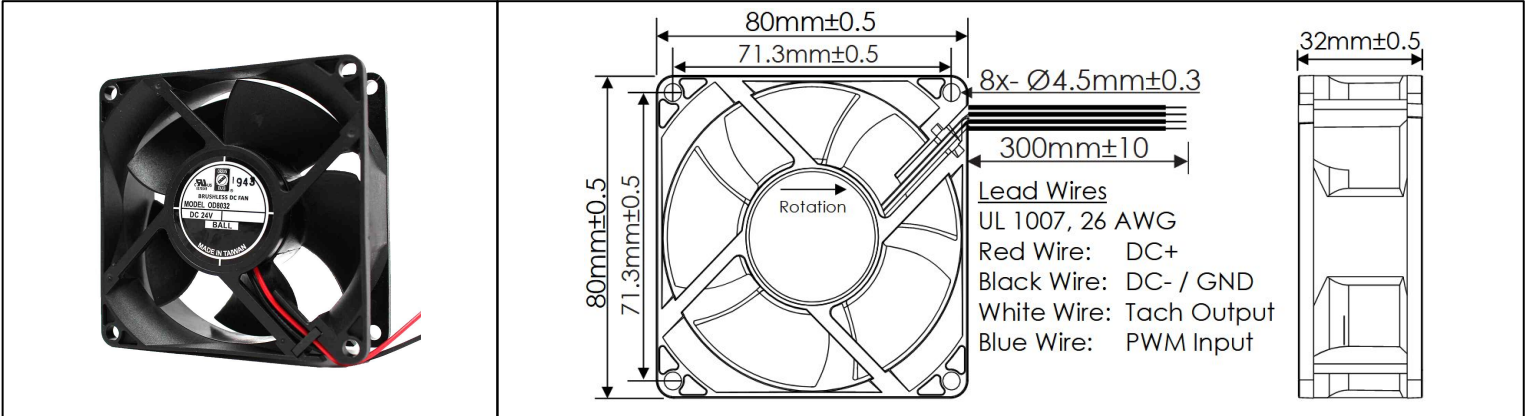
<b>Frame</b>	PBT, UL94 V-0 Plastic	<b>Operating Temperature</b> -20°C ~ +65°C	
<b>Impeller</b>	PBT, UL94 V-0 Plastic		
<b>Connection</b>	2x Lead Wires, 24 AWG	<b>Life Expectancy</b> 70,000 Hours (L10 at 40°C)	
<b>Motor</b>	Brushless DC, Auto Cutoff, Auto Restart, Polarity Protected, Electronically Protected	<b>Available Options</b> Tachometer Output Alarm Output PWM Speed Control Input Higher Speeds IP Ratings	
<b>Bearing System</b>	Ball Bearings	Weight: 0.26 lbs.	
<b>Dielectric Strength</b>	500VDC/min, <1mA		
<b>Insulation Resistance</b>	≥10MΩ @ 500V DC		

Part Number	Rated Voltage (Volts DC)	Voltage Range (Volts DC)	Input Power (Watts)	Rated Current (Amps)	Rated Speed (RPM)	Max Airflow (CFM)	Noise Level (dBA)	Max Static Pressure (\"H <sub>2</sub> O)
OD8032-12HHB	12	10 ~ 13.8	4.8	0.40	4750	60	45.2	0.45
OD8032-12HB	12	10 ~ 13.8	4.8	0.40	4000	50	40.1	0.35
OD8032-12MB	12	10 ~ 13.8	4.8	0.40	3575	45	31.4	0.32
OD8032-12LB	12	10 ~ 13.8	4.8	0.40	2950	40	30.0	0.28
OD8032-24HHB	24	20 ~ 26.4	6.1	0.25	4750	60	45.2	0.45
OD8032-24HB	24	20 ~ 26.4	4.8	0.20	4000	50	40.1	0.35
OD8032-24MB	24	20 ~ 26.4	4.8	0.20	3575	45	31.4	0.32
OD8032-24LB	24	20 ~ 26.4	4.8	0.20	2950	40	30.0	0.28
OD8032-48HHB	48	40 ~ 52.0	9.1	0.19	4750	60	45.2	0.45
OD8032-48HB	48	40 ~ 52.0	5.3	0.11	4000	50	40.1	0.35
OD8032-48MB	48	40 ~ 52.0	4.3	0.09	3575	45	31.4	0.32
OD8032-48LB	48	40 ~ 52.0	3.4	0.07	2950	40	30.0	0.28



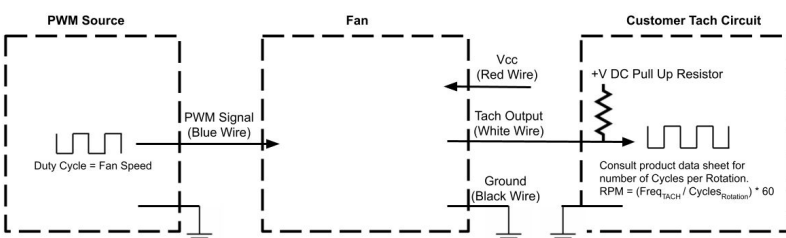
# OD8032 Series with PWM and Tachometer

DC Fans - 12, 24, 48V  
80mm x 32mm (3.15" x 1.26")



<b>Frame</b>	PBT, UL94 V-0 Plastic	<b>Operating Temperature</b> -20°C ~ +65°C <b>Storage Temperature</b> -20°C ~ +75°C <b>Life Expectancy</b> 70,000 Hours (L10 at 40°C) <b>Installed Options</b> PWM Speed Control Input Open Collector Tach Output <b>Available Options</b> IP Ratings  Weight: 0.26 lbs.	
<b>Impeller</b>	PBT, UL94 V-0 Plastic		
<b>Connection</b>	4x Lead Wires, 26 AWG		
<b>Motor</b>	Brushless DC, Auto Cutoff, Auto Restart, Polarity Protected, Electronically Protected		
<b>Bearing System</b>	Ball Bearings		
<b>Dielectric Strength</b>	500VDC/min, <1mA		
<b>Insulation Resistance</b>	≥10MΩ @ 500V DC		

Part Number	Rated Voltage (Volts DC)	Voltage Range (Volts DC)	Input Power (Watts)	Rated Current (Amps)	Rated Speed (RPM)	Max Airflow (CFM)	Noise Level (dBA)	Max Static Pressure ("H <sub>2</sub> O)
OD8032-12HHB10A	12	10 ~ 13.8	4.8	0.40	4750	60	45.2	0.45
OD8032-12HB10A	12	10 ~ 13.8	4.8	0.40	4000	50	40.1	0.35
OD8032-12MB10A	12	10 ~ 13.8	4.8	0.40	3575	45	31.4	0.32
OD8032-12LB10A	12	10 ~ 13.8	4.8	0.40	2950	40	30.0	0.28
OD8032-24HHB10A	24	20 ~ 26.4	6.1	0.25	4750	60	45.2	0.45
OD8032-24HB10A	24	20 ~ 26.4	4.8	0.20	4000	50	40.1	0.35
OD8032-24MB10A	24	20 ~ 26.4	4.8	0.20	3575	45	31.4	0.32
OD8032-24LB10A	24	20 ~ 26.4	4.8	0.20	2950	40	30.0	0.28
OD8032-48HHB10A	48	40 ~ 52.0	9.1	0.19	4750	60	45.2	0.45
OD8032-48HB10A	48	40 ~ 52.0	5.3	0.11	4000	50	40.1	0.35
OD8032-48MB10A	48	40 ~ 52.0	4.3	0.09	3575	45	31.4	0.32
OD8032-48LB10A	48	40 ~ 52.0	3.4	0.07	2950	40	30.0	0.28

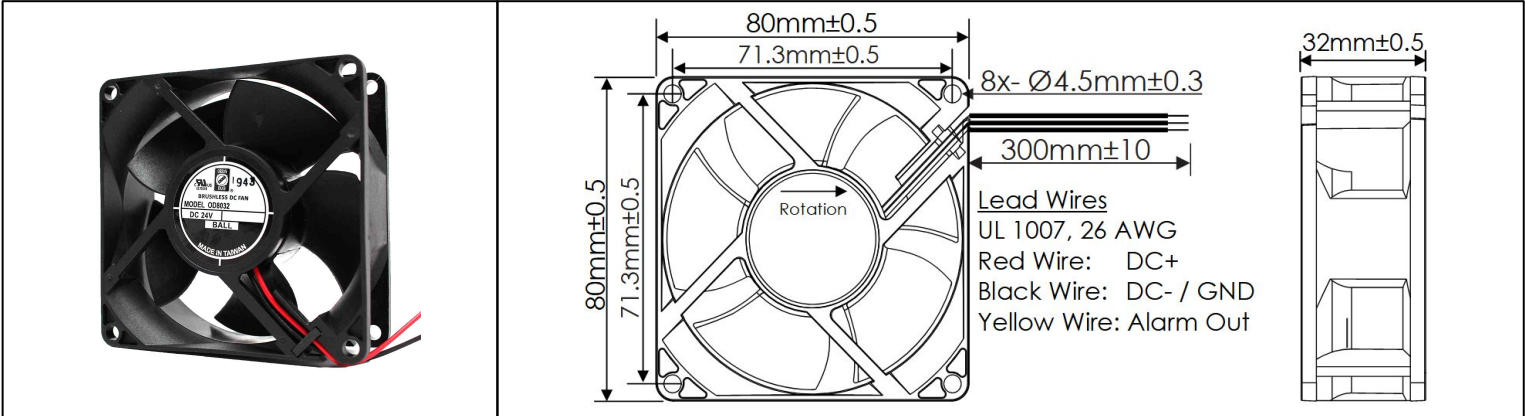


PWM Max High Voltage: 5V  
 PWM Max Sink Current: 5mA  
 PWM Frequency Range: 1KHz-100KHz  
 PWM Typical Frequency: 25KHz  
 PWM Minimum Startup Duty Cycle: 30%  
 RPM at 0% Duty Cycle: 0 RPM  
 RPM will be full speed if PWM input is disconnected.  
 RPM will be 0 RPM if PWM input is grounded.  
 Tach Max Pullup Voltage: Vcc of fan  
 Tach Max Sink Current: 5mA  
 Tach Cycles per Rotation: 2

# OD8032 Series with Alarm

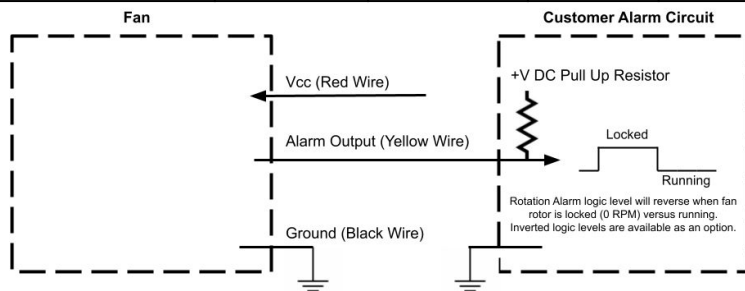


DC Fans - 12, 24, 48V  
80mm x 32mm (3.15" x 1.26")



<b>Frame</b>	PBT, UL94 V-0 Plastic	<b>Operating Temperature</b> -20°C ~ +65°C <b>Storage Temperature</b> -20°C ~ +75°C <b>Life Expectancy</b> 70,000 Hours (L10 at 40°C) <b>Installed Options</b> Open Collector Alarm Output <b>Available Options</b> 5V TTL Alarm Output Inverted Alarm State Output	
<b>Impeller</b>	PBT, UL94 V-0 Plastic		
<b>Connection</b>	3x Lead Wires, 26 AWG	<b>Weight:</b> 0.26 lbs.	
<b>Motor</b>	Brushless DC, Auto Cutoff, Auto Restart, Polarity Protected, Electronically Protected		
<b>Bearing System</b>	Ball Bearings		
<b>Dielectric Strength</b>	500VDC/min, <1mA		
<b>Insulation Resistance</b>	≥10MΩ @ 500V DC		

Part Number	Rated Voltage (Volts DC)	Voltage Range (Volts DC)	Input Power (Watts)	Rated Current (Amps)	Rated Speed (RPM)	Max Airflow (CFM)	Noise Level (dBA)	Max Static Pressure ("H <sub>2</sub> O)
OD8032-12HHB02A	12	10 ~ 13.8	4.8	0.40	4750	60	45.2	0.45
OD8032-12HB02A	12	10 ~ 13.8	4.8	0.40	4000	50	40.1	0.35
OD8032-12MB02A	12	10 ~ 13.8	4.8	0.40	3575	45	31.4	0.32
OD8032-12LB02A	12	10 ~ 13.8	4.8	0.40	2950	40	30.0	0.28
OD8032-24HHB02A	24	20 ~ 26.4	6.1	0.25	4750	60	45.2	0.45
OD8032-24HB02A	24	20 ~ 26.4	4.8	0.20	4000	50	40.1	0.35
OD8032-24MB02A	24	20 ~ 26.4	4.8	0.20	3575	45	31.4	0.32
OD8032-24LB02A	24	20 ~ 26.4	4.8	0.20	2950	40	30.0	0.28
OD8032-48HHB02A	48	40 ~ 52.0	9.1	0.19	4750	60	45.2	0.45
OD8032-48HB02A	48	40 ~ 52.0	5.3	0.11	4000	50	40.1	0.35
OD8032-48MB02A	48	40 ~ 52.0	4.3	0.09	3575	45	31.4	0.32
OD8032-48LB02A	48	40 ~ 52.0	3.4	0.07	2950	40	30.0	0.28



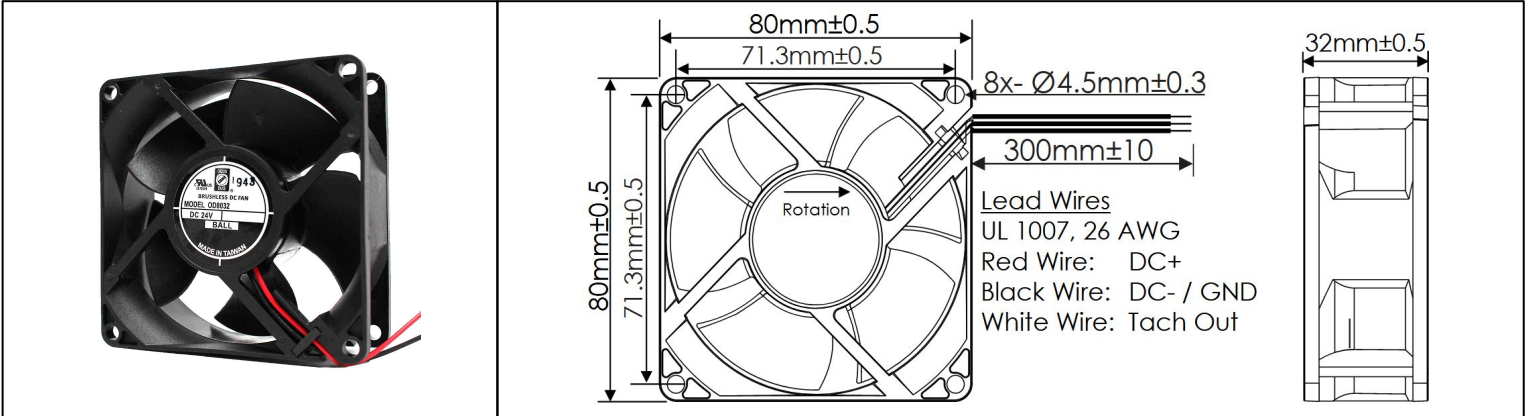
Alarm Max Pullup Voltage:  
Alarm Max Sink Current:  
Alarm Active State:

Vcc of fan  
5mA  
HIGH

# OD8032 Series with Tachometer

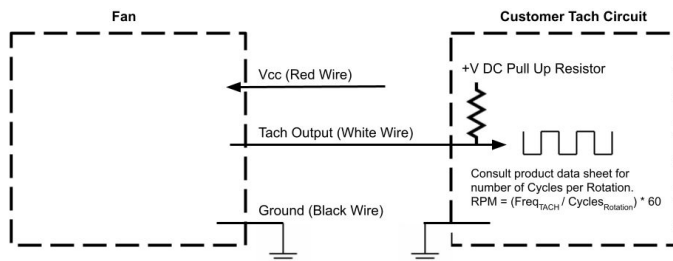


DC Fans - 12, 24, 48V  
80mm x 32mm (3.15" x 1.26")



<b>Frame</b>	PBT, UL94 V-0 Plastic	<b>Operating Temperature</b> -20°C ~ +65°C <b>Storage Temperature</b> -20°C ~ +75°C <b>Life Expectancy</b> 70,000 Hours (L10 at 40°C) <b>Installed Options</b> Open Collector Tach Output <b>Available Options</b> 5V TTL Tach Output  Weight: 0.26 lbs.	
<b>Impeller</b>	PBT, UL94 V-0 Plastic		
<b>Connection</b>	3x Lead Wires, 26 AWG		
<b>Motor</b>	Brushless DC, Auto Cutoff, Auto Restart, Polarity Protected, Electronically Protected		
<b>Bearing System</b>	Ball Bearings		
<b>Dielectric Strength</b>	500VDC/min, <1mA		
<b>Insulation Resistance</b>	≥10MΩ @ 500V DC		

Part Number	Rated Voltage (Volts DC)	Voltage Range (Volts DC)	Input Power (Watts)	Rated Current (Amps)	Rated Speed (RPM)	Max Airflow (CFM)	Noise Level (dBA)	Max Static Pressure ("H <sub>2</sub> O)
OD8032-12HHB01A	12	10 ~ 13.8	4.8	0.40	4750	60	45.2	0.45
OD8032-12HB01A	12	10 ~ 13.8	4.8	0.40	4000	50	40.1	0.35
OD8032-12MB01A	12	10 ~ 13.8	4.8	0.40	3575	45	31.4	0.32
OD8032-12LB01A	12	10 ~ 13.8	4.8	0.40	2950	40	30.0	0.28
OD8032-24HHB01A	24	20 ~ 26.4	6.1	0.25	4750	60	45.2	0.45
OD8032-24HB01A	24	20 ~ 26.4	4.8	0.20	4000	50	40.1	0.35
OD8032-24MB01A	24	20 ~ 26.4	4.8	0.20	3575	45	31.4	0.32
OD8032-24LB01A	24	20 ~ 26.4	4.8	0.20	2950	40	30.0	0.28
OD8032-48HHB01A	48	40 ~ 52.0	9.1	0.19	4750	60	45.2	0.45
OD8032-48HB01A	48	40 ~ 52.0	5.3	0.11	4000	50	40.1	0.35
OD8032-48MB01A	48	40 ~ 52.0	4.3	0.09	3575	45	31.4	0.32
OD8032-48LB01A	48	40 ~ 52.0	3.4	0.07	2950	40	30.0	0.28





Tach Max Pullup Voltage:  
Tach Max Sink Current:  
Tach Cycles per Rotation:

5mA

Vcc of fan  
2

## Looking for pricing, stock, or lifecycle information?

Click below to explore more details on WIN SOURCE:

-  [View OD8032-48HB on WIN SOURCE](#)
-  [Orion Fans Information](#)

## Optimize Your Supply Chain with WIN SOURCE Solutions

-  Global Sourcing Solution
-  Obsolete Management
-  Cost Control Management
-  Shortage Management
-  Alternative Solution
-  Excess Inventory Management