



**THE DATASHEET OF
TCSD-25-D-25.59-01-N**



TIGER EYE™ IDC SOCKET CABLE



(2.00 mm) .0787" PITCH • TCSD SERIES

TCSD

Mates:
TMM, TMMH, STMM,
MMT, TW, MTMM, EHT,
ETMM (-SR), ZSTMM

SPECIFICATIONS

Insulator Material:
Black Glass Filled Polyester
Contact:
BeCu
Plating:
Au or Sn over
50 μ" (1.27 μm) Ni
Wire:
28 AWG 7/36 Stranded,
Tinned, Copper with
Gray PVC Insulator
**Current Rating
(TCSD/STMM):**
2.8 A per pin
(2 pins powered)
Operating Temp Range:
-40 °C to +105 °C
Lead Size Accepted:
(0.48 mm) .019" to
(0.53 mm) .021"
Insertion Depth:
(2.87 mm) .113" to
(3.17 mm) .125"

ALSO AVAILABLE
MOQ Required

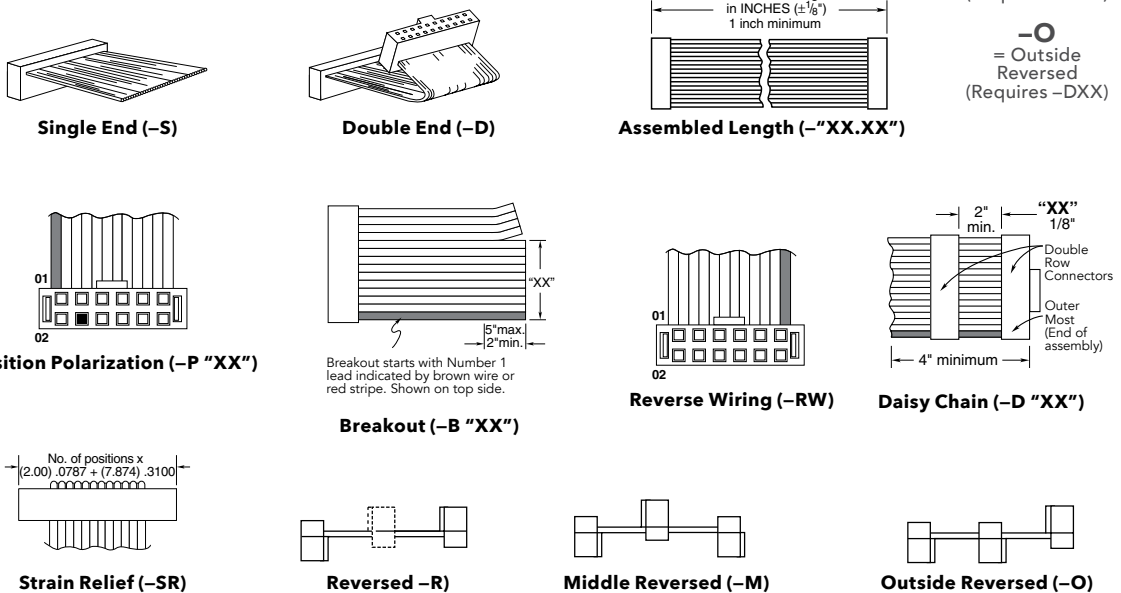
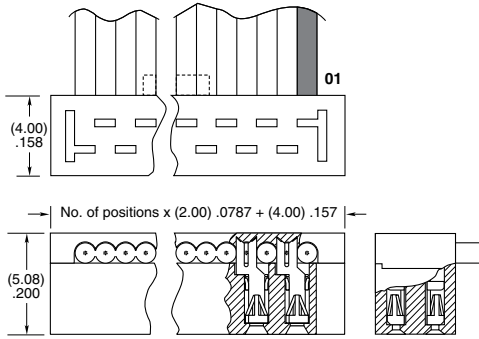
Other sizes
Other platings

POLARIZING KEY

Specify PK-01-07 for polarizing key
(Available in wheels of six each).
Also polarizes SMM Series
socket strips.

SERIES	NO. PINS PER ROW	END OPTION	OVERALL LENGTH	01	PLATING OPTION	N	OTHER OPTION
--------	------------------	------------	----------------	----	----------------	---	--------------



TCSD = Socket Strip	-04, -05, -07, -08, -10, -12, -13, -15, -17, -20, -22, -25 (Standard sizes)	-S = Single End -D = Double End	-"XX.XX" = Assembled Length	01	Leave blank for standard plating 30 μ" (0.76 μm) Gold on contact area -F = Gold flash on contact	-N = Notch Polarization	-P "XX" = Position Polarization (Specify "XX" as position number. Same position will be polarized on both ends) -B "XX" = Breakout (Specify "XX" as number of conductors to be broken out) -RW = Reverse Wiring (Blue or black wire opposite position #1) -D "XX" = Daisy Chain -SR = Strain Relief (Not available with -O, -M, -R, -DXX or -BXX) -R = Reversed -M = Middle Reversed (Requires -DXX) -O = Outside Reversed (Requires -DXX)
-------------------------------	---	--	---------------------------------------	-----------	---	-----------------------------------	---



Note:
TCSD Series assemblies are non-standard, non-returnable.

Looking for pricing, stock, or lifecycle information?

Click below to explore more details on WIN SOURCE:

-  [View TCSD-25-D-25.59-01-N on WIN SOURCE](#)
-  [Samtec Inc. Information](#)

Optimize Your Supply Chain with WIN SOURCE Solutions

-  Global Sourcing Solution
-  Obsolete Management
-  Cost Control Management
-  Shortage Management
-  Alternative Solution
-  Excess Inventory Management