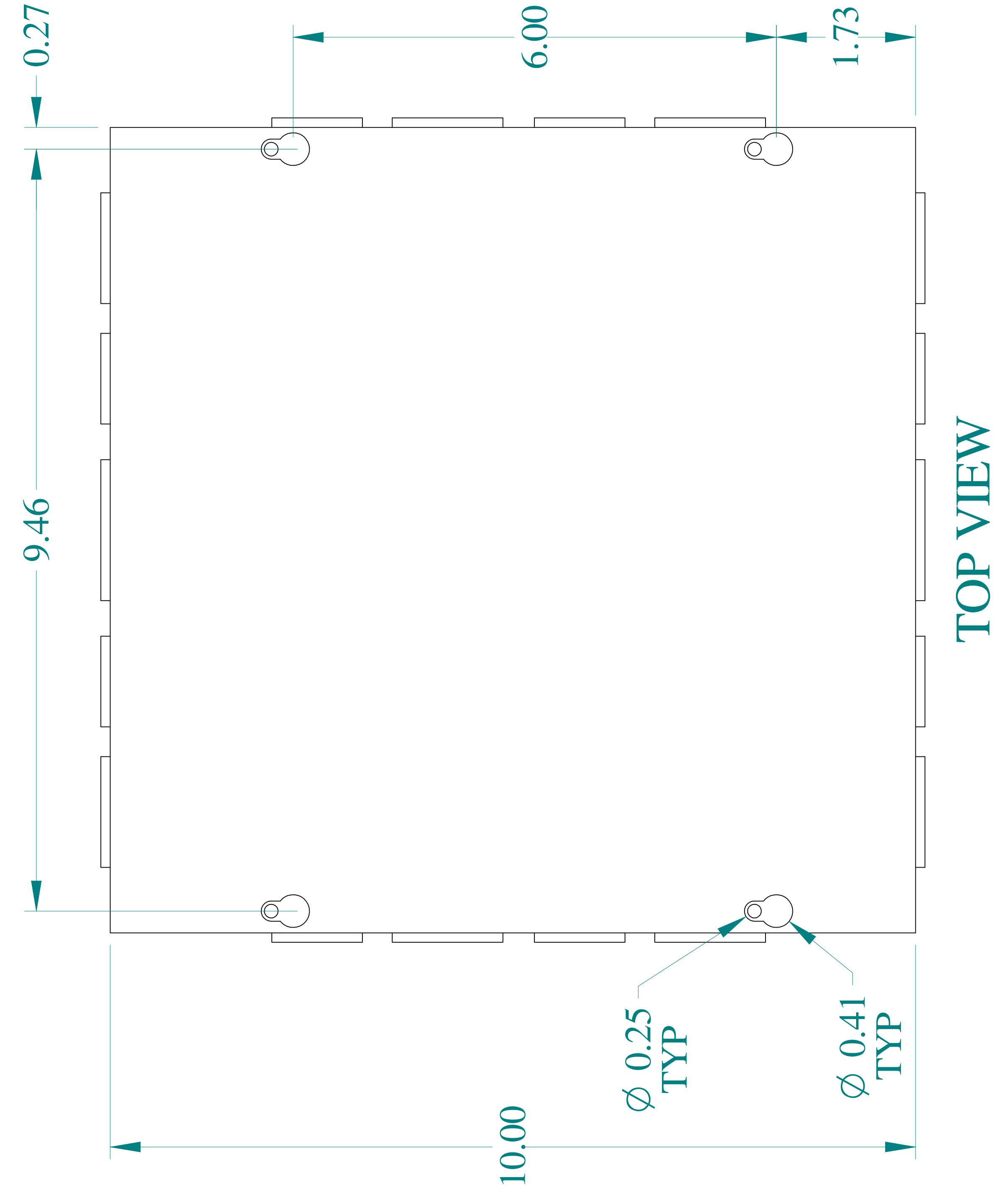


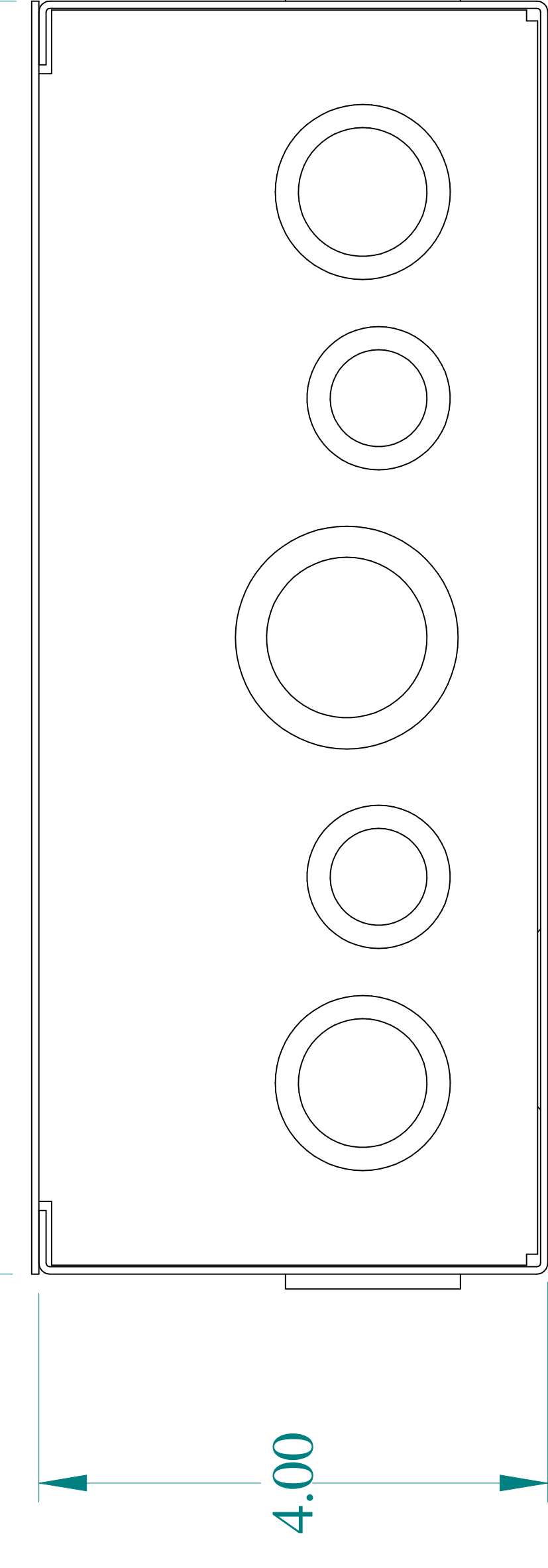
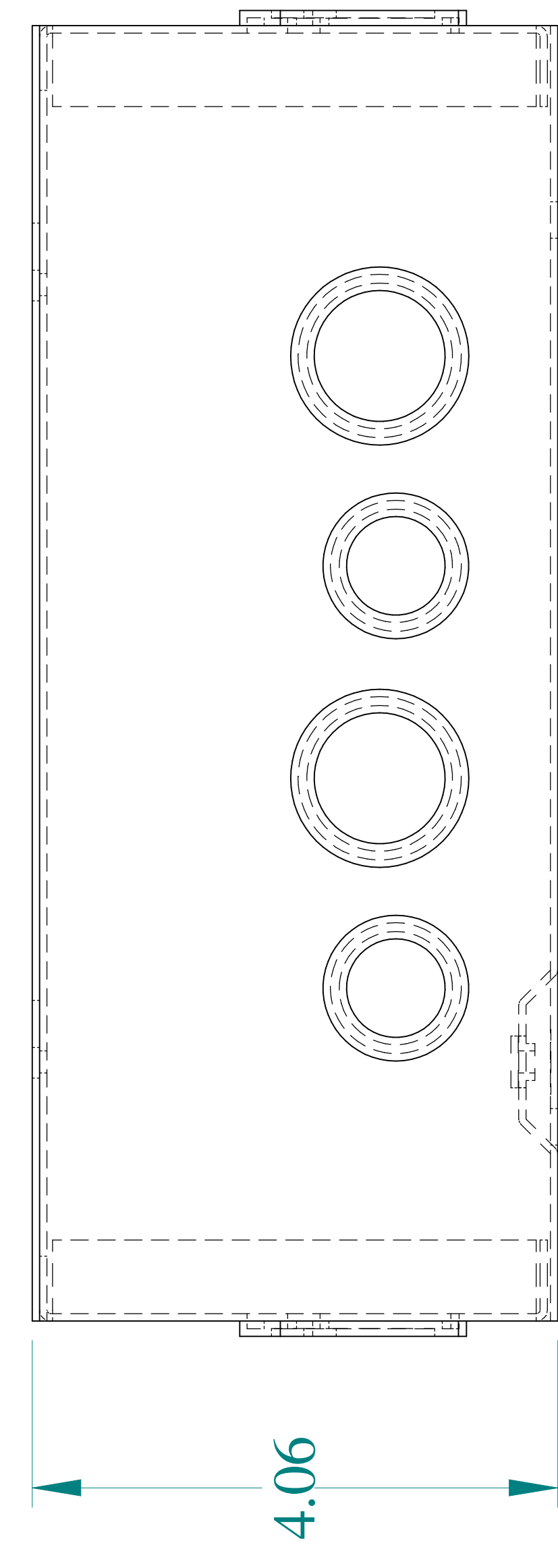
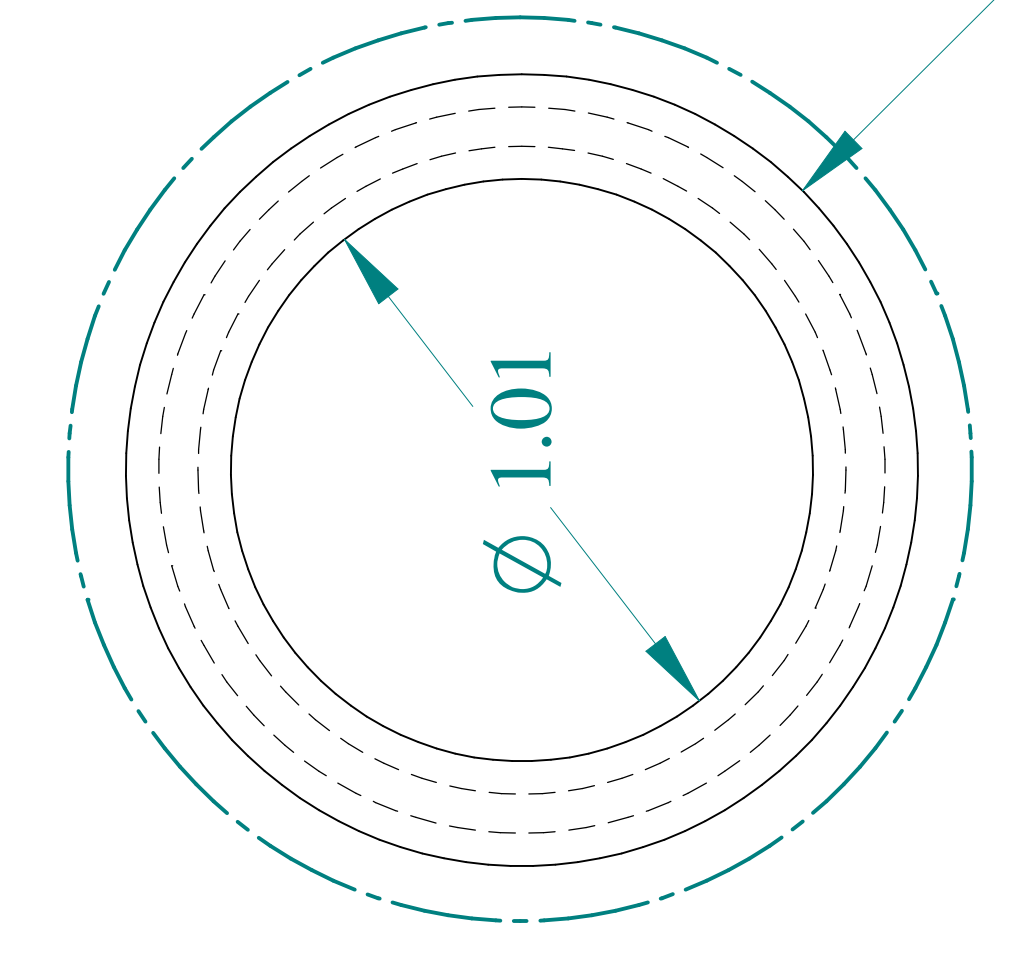


**THE DATASHEET OF
CSKO10104**



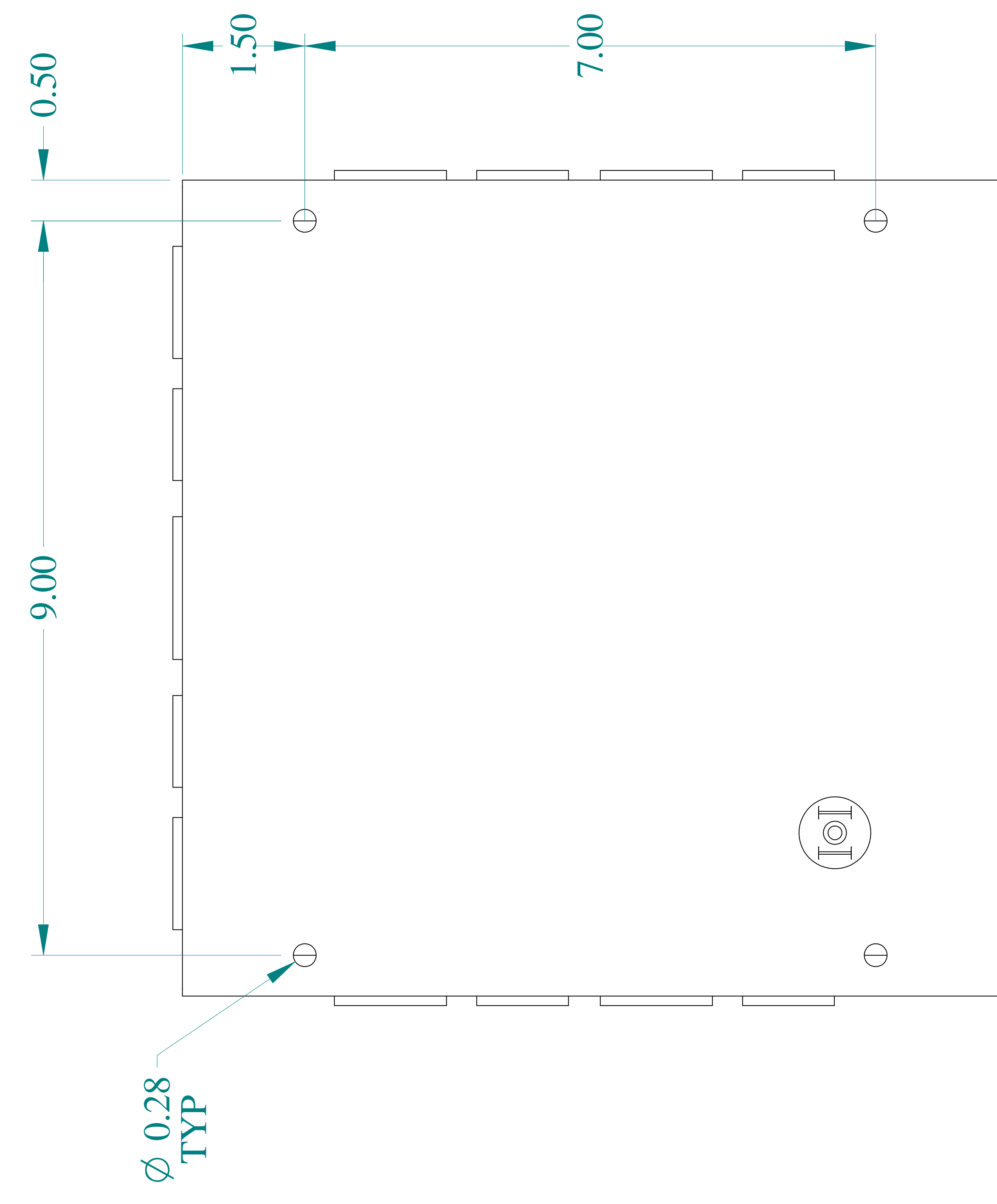
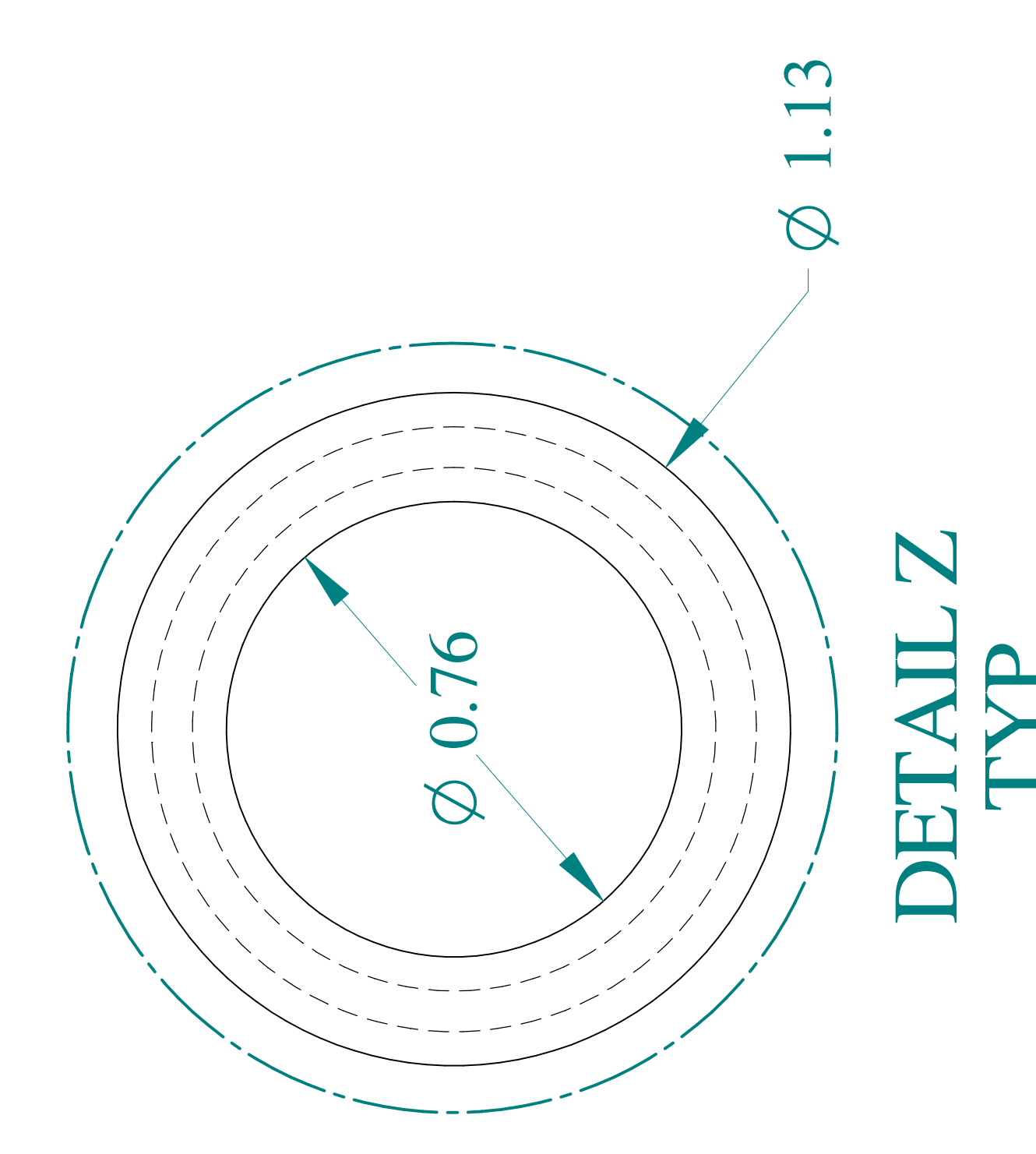
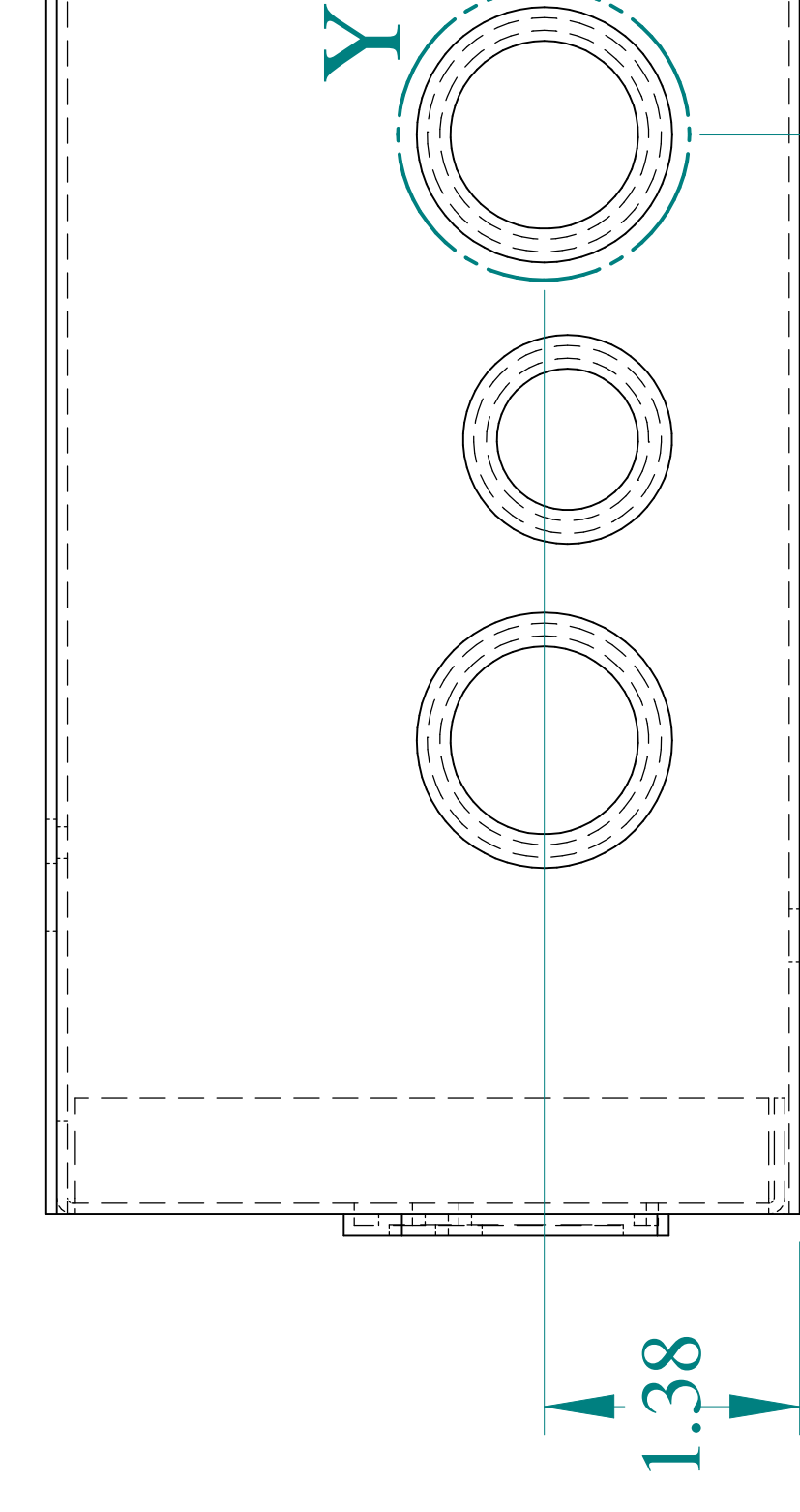


DETAIL Y
TYP



SIDE VIEW

FRONT VIEW



BOTTOM VIEW

Looking for pricing, stock, or lifecycle information?

Click below to explore more details on WIN SOURCE:

- [View CSKO10104 on WIN SOURCE](#)
- [Hammond Manufacturing Information](#)

Optimize Your Supply Chain with WIN SOURCE Solutions

- ✓ Global Sourcing Solution
- ✓ Obsolete Management
- ✓ Cost Control Management
- ✓ Shortage Management
- ✓ Alternative Solution
- ✓ Excess Inventory Management