



THE DATASHEET OF HSBP228



HSBP/HSIP - SERIES

BUL10413

REV. A

ASSEMBLY INSTRUCTIONS FOR HSBP/HSIP SIDE INNER PANELS

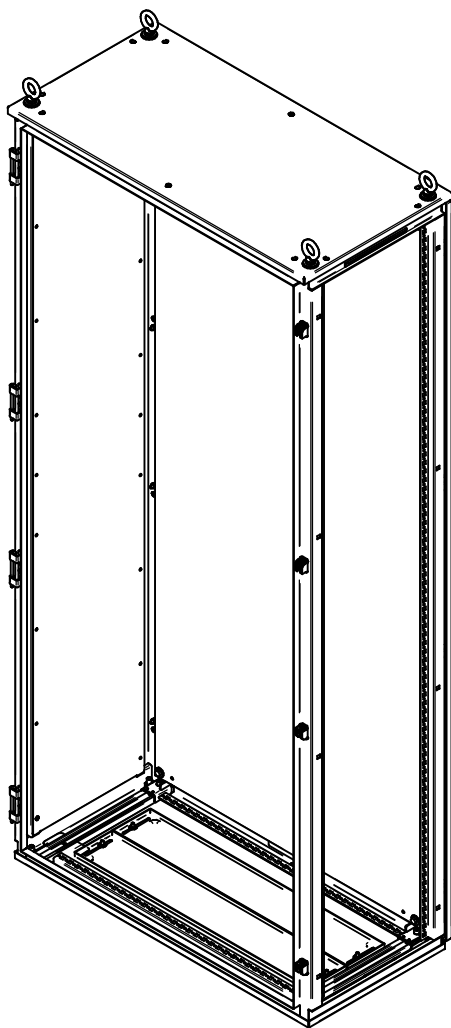


FIG 1. SIDE MTG BARRIER PANEL

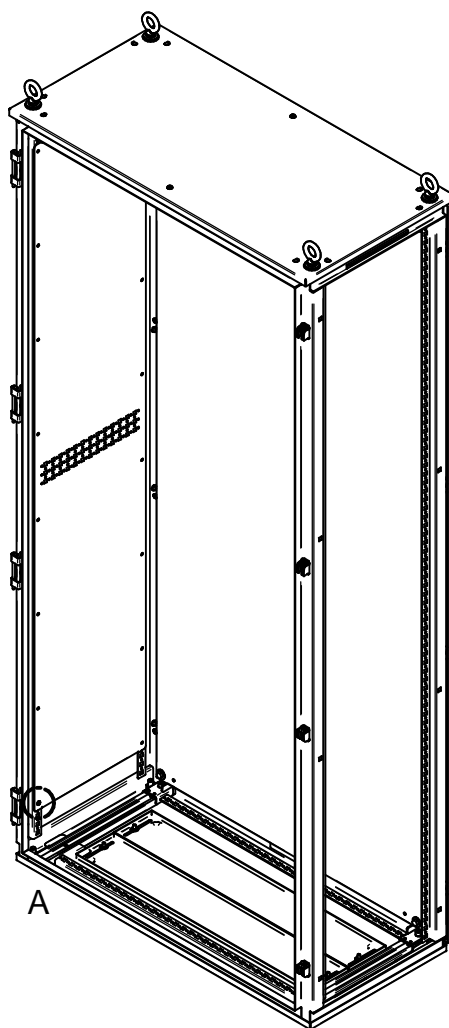


FIG 2. SIDE MTG INNER PANEL

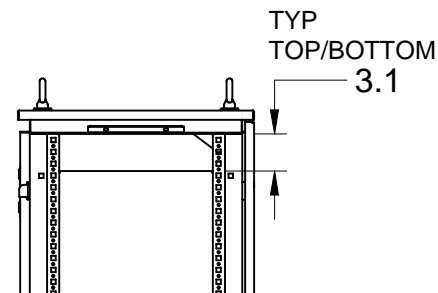
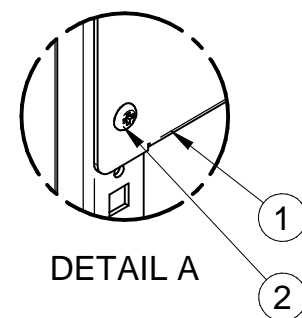


FIG 3. SIDE VIEW



DETAIL A

INSTRUCTIONS:

A) Center panel inside of cabinet frame with the flanges facing outward. Align holes and fasten using supplied self tapping screws. To center Side Mtg Inner Panel see FIG.3.



ITEM	DESCRIPTION	QTY
1	Side Mtg. Inner/Barrier Panel	1
2	Screw #12X1/2 Pan Head Phillips	-

TOOL BOX	Phillips Screw Driver

**HAMMOND
MANUFACTURING™**
www.hammondmfg.com

Looking for pricing, stock, or lifecycle information?

Click below to explore more details on WIN SOURCE:

-  [View HSBP228 on WIN SOURCE](#)
-  [Hammond Manufacturing Information](#)

Optimize Your Supply Chain with WIN SOURCE Solutions

-  Global Sourcing Solution
-  Obsolete Management
-  Cost Control Management
-  Shortage Management
-  Alternative Solution
-  Excess Inventory Management