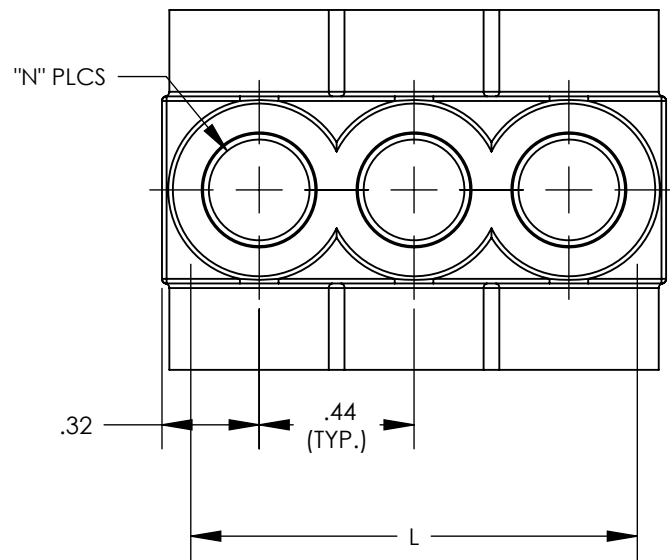




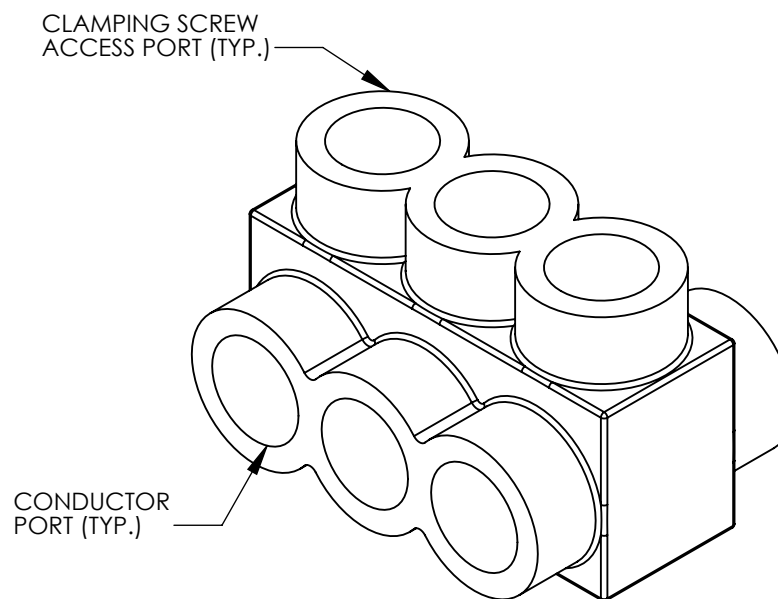
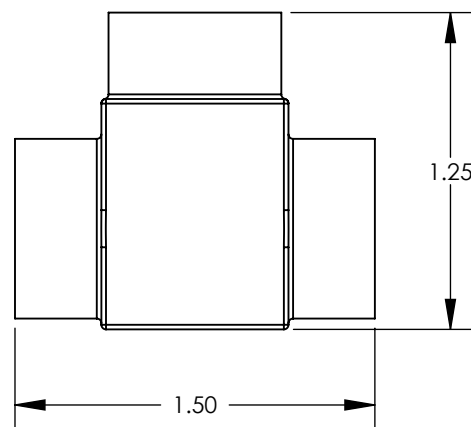
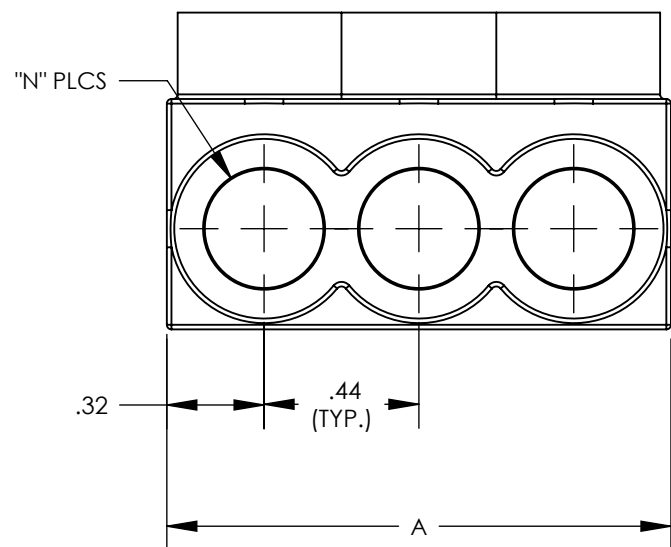
**THE DATASHEET OF  
PCSB4-3-12Y**



| PANDUIT PART NUMBER | CONDUCTOR RATING              | HEX KEY | SCREW QUANTITY | CAP (SCREW PORT) QUANTITY | CAP (WIRE PORT) QUANTITY | A     | L     | N  | TIGHTENING TORQUE                            |
|---------------------|-------------------------------|---------|----------------|---------------------------|--------------------------|-------|-------|----|--|
| PCSB4-2-12Y         | #4 - #14 STR<br>#10 - #14 SOL | 1/8"    | 2              | 2                         | 4                        | 1.08  | 0.83  | 2  | #10 - #14 = 45 IN-LBS<br>#4 - #8 = 50 IN-LBS |
| PCSB4-3-12Y         |                               |         | 3              | 3                         | 6                        | 1.518 | 1.268 | 3  |  |
| PCSB4-4-6Y          |                               |         | 4              | 4                         | 8                        | 1.956 | 1.706 | 4  |  |
| PCSB4-5-6Y          |                               |         | 5              | 5                         | 10                       | 2.394 | 2.144 | 5  |  |
| PCSB4-6-6Y          |                               |         | 6              | 6                         | 12                       | 2.832 | 2.582 | 6  |  |
| PCSB4-8-4Y          |                               |         | 8              | 8                         | 16                       | 3.708 | 3.458 | 8  |  |
| PCSB4-10-4Y         |                               |         | 10             | 10                        | 20                       | 4.584 | 4.334 | 10 |  |
| PCSB4-12-3Y         |                               |         | 12             | 12                        | 24                       | 5.46  | 5.21  | 12 |  |
| PCSB4-14-2Y         |                               |         | 14             | 14                        | 28                       | 6.336 | 6.086 | 14 |  |



THREE PORT CONNECTOR BLOCK SHOWN WITH PLASTIC CLOSURE PLUGS REMOVED. SEE TABLE FOR DIMENSIONS OF PARTS WITH ADDITIONAL PORTS



NOTES:

- UL486A-UL486B LISTED, DUAL RATED CU9AL FOR ALUMINUM OR COPPER CONDUCTORS. MEETS OR EXCEEDS ANSI C119.4
- SEE TABLE FOR WIRE RANGE.
- STRIP LENGTH: .56 +.06/-0
- SEE PACKAGE LABEL FOR TIGHTENING TORQUE SPECIFICATIONS.
- VOLTAGE RATING: 600 V. MAX. BUILDING WIRE, 1000 V. MAX. IN SIGNS & FIXTURES.
- TEMPERATURE RATING: 90 °C (CU9AL).
- CONNECTOR BLOCK BODY ARE MADE FROM ALUMINUM. CONDUCTOR PORTS IN CONNECTOR BLOCK ARE PREFILLED WITH AN OXIDE-INHIBITING COMPOUND.
- CONNECTOR TO INCLUDE ZINC PLATED STEEL CLAMPING SCREWS FOR EACH CONDUCTOR PORT.
- INSULATION MATERIAL IS CLEAR PVC.
- CLAMPING SCREW ACCESS PORTS AND ALL WIRE ENTRY PORTS ARE PROVIDED WITH REMOVABLE PLASTIC CLOSURE PLUGS.
- ALL DIMENSIONS SHOWN ARE NOMINAL.
- ONLY ONE CONDUCTOR PER PORT ALLOWED.
- PACKAGE QTY: -12 = 12 PCS.  
-6 = 6 PCS.  
-4 = 4 PCS.
- THIS PART IS RoHS COMPLIANT

| REV | DATE | BY   | CHK  | APR | DESCRIPTION  | ECN             | TITLE  | ITEM REVISION NAME | DATASET FILE NAME | MATERIAL  | DRAWING NUMBER | SHEET 1 OF 1 | SIZE |
|-----|------|------|------|-----|--|-----------------|--|--------------------|-------------------|-----------|----------------|--------------|------|
|     |      |      |      |     |  |                 | MULTI-TAP INSULATED CONNECTORS<br>PCSB4 SERIES<br>CUSTOMER DRAWING | N41573BB-C41573/07 | C41573/07.SLDDRW  | SEE NOTES | C41573         |              | B    |
| 07  | 6/19 | JHNU | TMR  | RGB | REVISED WIRE RANGE FORMAT<br>REVISED TIGHTENING TORQUE   | 048653          |  |                    |                   |           |                |              |      |
| 06  | 1/16 | JHNU | JHNU | RGB | REVISED DIM: .32 WAS .42, .44 WAS .67<br>REVISED A AND L DIM'S FOR ALL PART NUMBERS<br>REVISED NOTE 2: .56 WAS .50<br>REVISED NOTE 8: ZINC PLATED STEEL WAS TIN PLATED ALUM.<br>REVISED NOTE 4 | N41573BB-C41573 |  |                    |                   |           |                |              |      |
| 05  | 2/13 | JHNU | JHNU | RGB | REVISED TITLE BLOCK  | N41573BB-C41573 |  |                    |                   |           |                |              |      |
|     |      |      |      |     |  |                 |  |                    |                   |           |                |              |      |

UNLESS OTHERWISE SPECIFIED, DIMENSIONAL TOLERANCES ARE: IN [mm]

.X ± .XX ± .02      .XXX ± ANGLES ±

THIRD ANGLE PROJECTION


SCALE NONE

DATE 8/99    CHK RLS

MS

## Looking for pricing, stock, or lifecycle information?

Click below to explore more details on WIN SOURCE:

 [View PCSB4-3-12Y on WIN SOURCE](#)

 [Panduit Corp Information](#)

## Optimize Your Supply Chain with WIN SOURCE Solutions

-  Global Sourcing Solution
-  Obsolete Management
-  Cost Control Management
-  Shortage Management
-  Alternative Solution
-  Excess Inventory Management