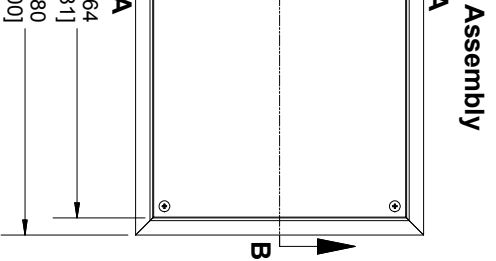




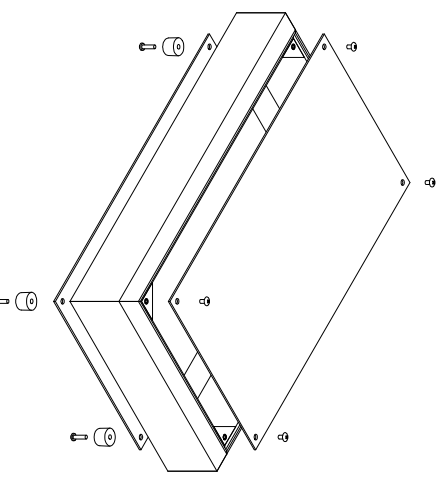
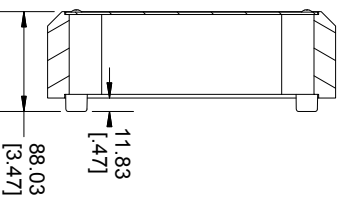
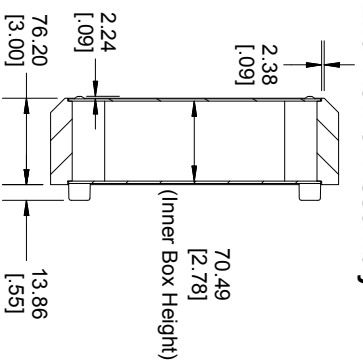
THE DATASHEET OF HWCHAS1710AL



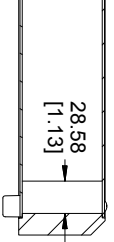


SECTION A-A
End View of Assembly

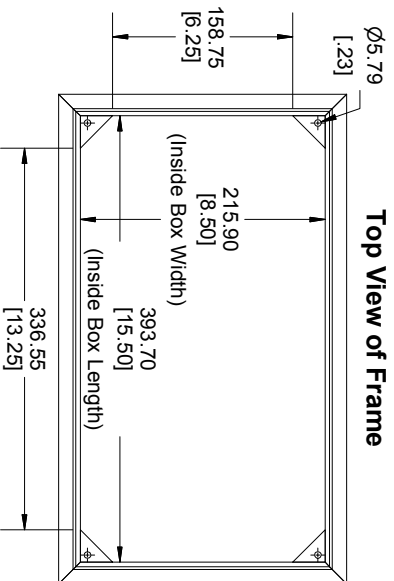
SECTION A-A
Without Optional Bottom Panel



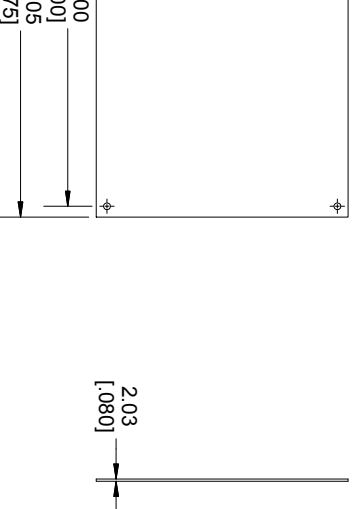
SECTION B-B
End View of Assembly



Top View of Frame



SECTION C-C
End View of Assembly (Bottom)



Enclosures can be Factory Modified (Milling, Drilling, Printing etc.)
Contact Factory: mjm@hammondmg.com for quotes.
Solid models of this enclosure available in STEP or IGES.

NOTE

Chassis Includes Solid Walnut Frame, one (1) Aluminum Panel,
Rubber Feet and Required Hardware
Aluminum Panels are Made of 0.080" Aluminum.

Screws should not be torqued past 4.43 lbf.in (50 cN.m)

PART NUMBERS	
17"x10" Enclosure (Natural Finish)	
Chassis with Natural Finish Panel	HWCHAS1710AL
Natural Finish Panel	HW1710ALPL
17"x10" Enclosure (Satin Black)	
Chassis with Satin Black Panel	HWCHAS1710BK
Satin Black Panel	HW1710BKPL

Dimensions:
mm
[inches]



www.hammondmg.com

Looking for pricing, stock, or lifecycle information?

Click below to explore more details on WIN SOURCE:

- ⊖ [View HWCHAS1710AL on WIN SOURCE](#)
- ⊖ [Hammond Manufacturing Information](#)

Optimize Your Supply Chain with WIN SOURCE Solutions

- ✓ Global Sourcing Solution
- ✓ Obsolete Management
- ✓ Cost Control Management
- ✓ Shortage Management
- ✓ Alternative Solution
- ✓ Excess Inventory Management