

**WIN***SOURCE*  
ELECTRONICS  
**THE DATASHEET OF**  
**DMB-4772-TGH**

[www.win-source.net](http://www.win-source.net)

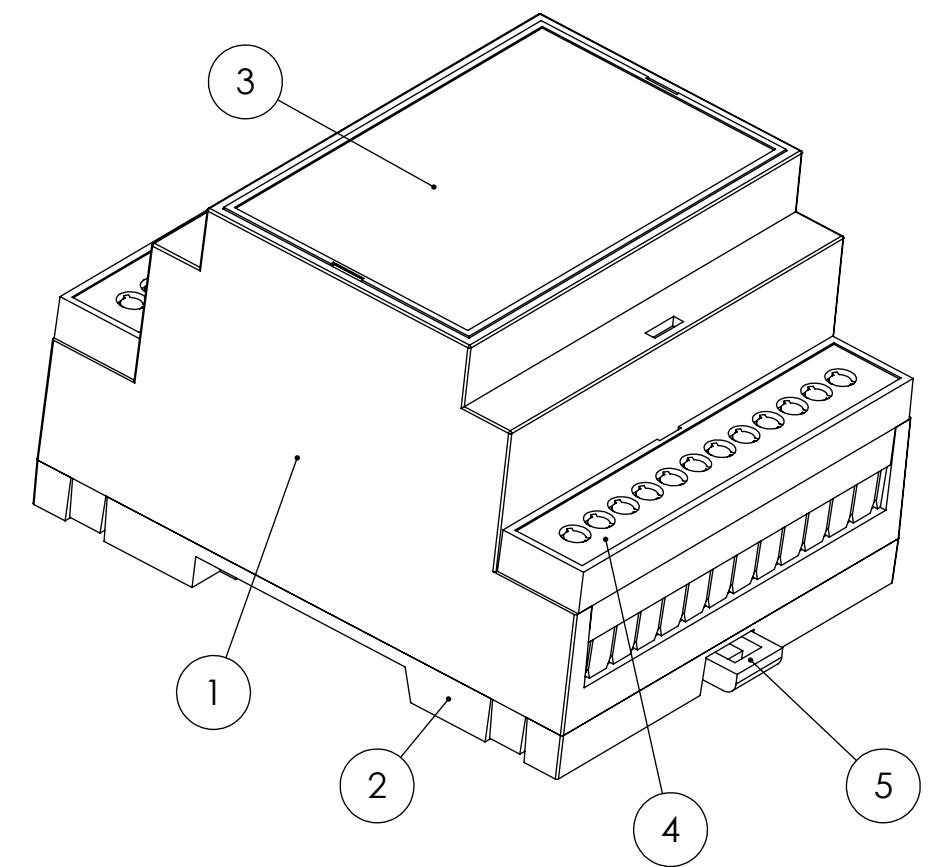
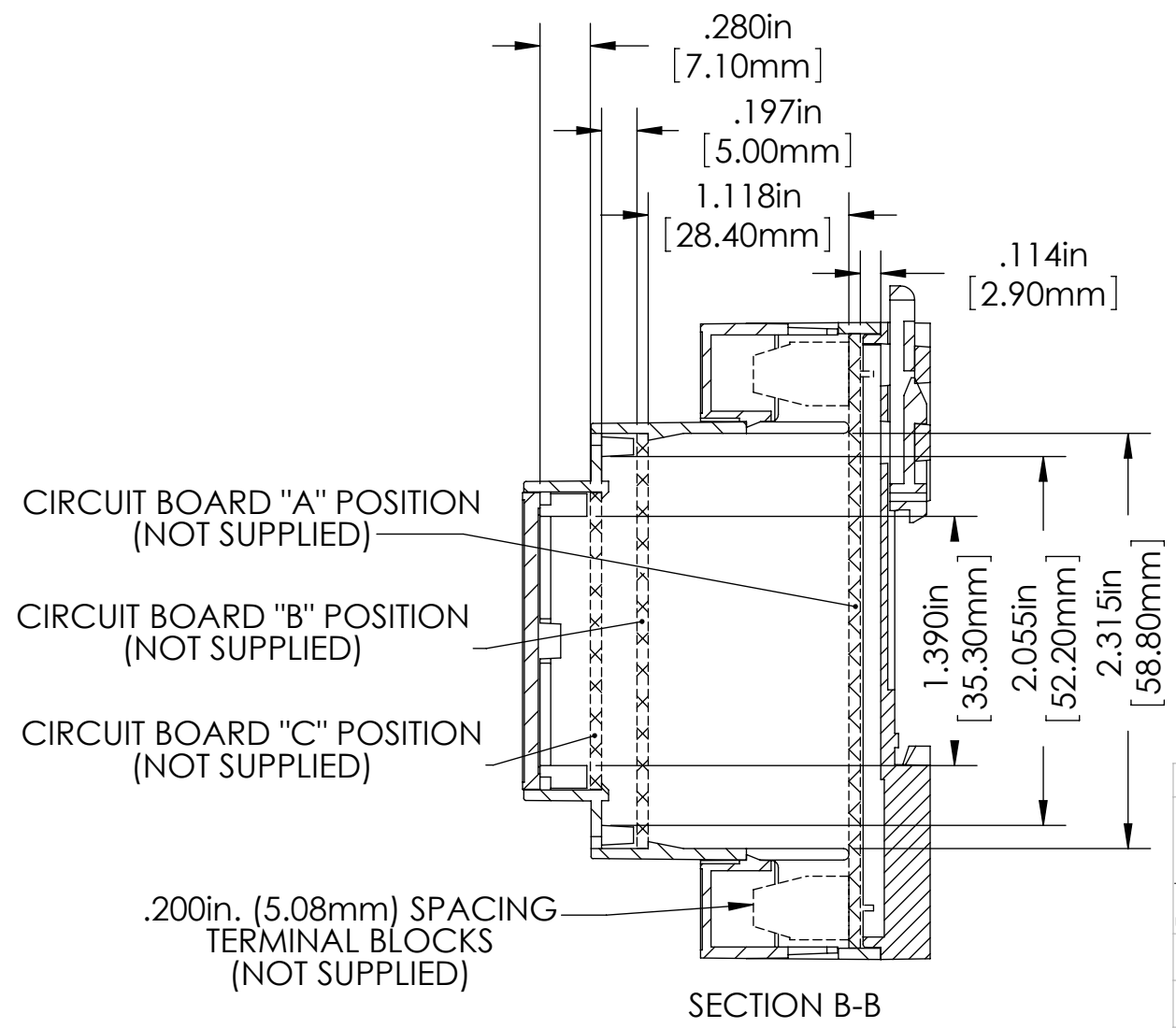
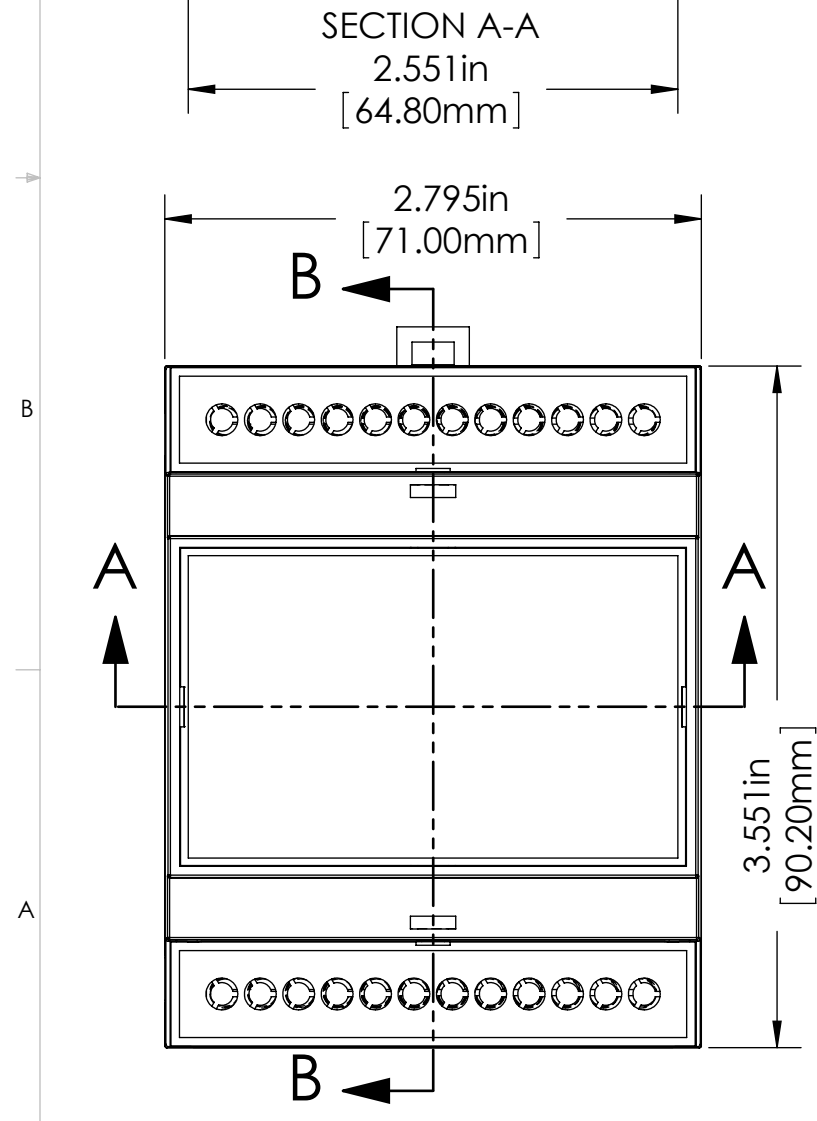
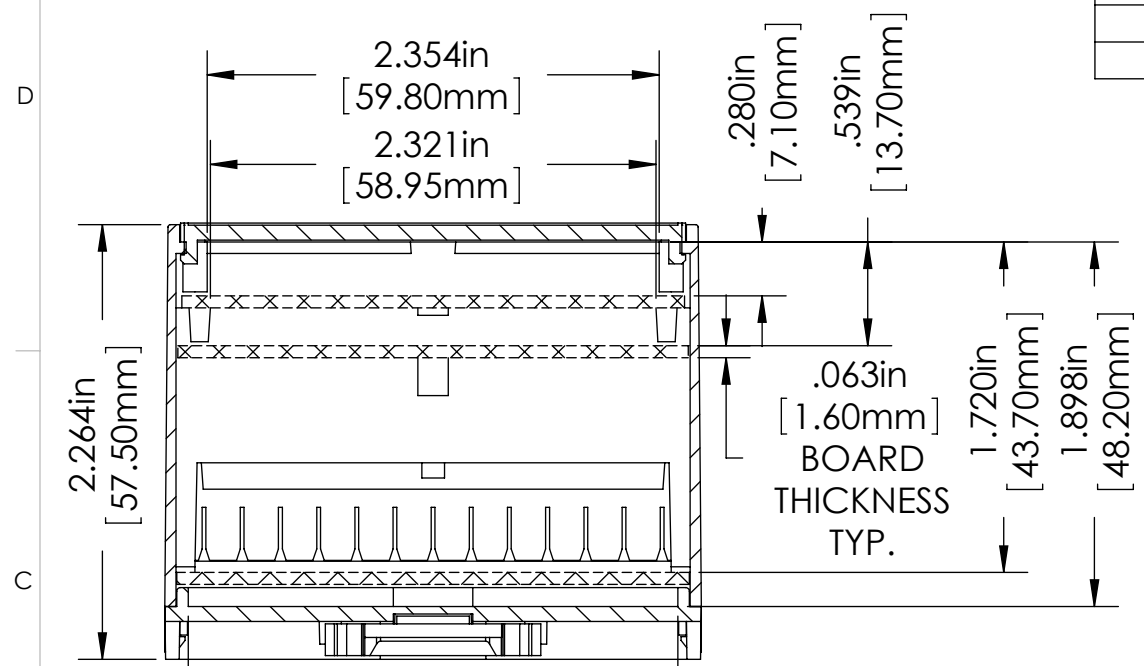


0086-755-83957316

THE INFORMATION CONTAINED IN THIS DRAWING IS THE SOLE PROPERTY OF BUD INDUSTRIES INC. ANY REPRODUCTION IN PART OR WHOLE WITHOUT THE WRITTEN PERMISSION OF BUD INDUSTRIES INC. IS PROHIBITED.

ITEM NO.	PART NUMBER	DESCRIPTION	COLOR	QTY.
1	BODY	PC/ABS UL94V-0	GRAY	1
2	BASE	PC/ABS UL94V-0	GRAY	1
3	COVER	PC/ABS UL94V-0	GRAY	1
4	GUARD	PC/ABS UL94V-0	GRAY	2
5	MOUNTING CLIP	NYLON 66	DARK GRAY	1

DWG. NO.	DMB-4772
ISSUE	REVISIONS
(A)	REVISIONS 12-6-10 DAB



OPTIONAL ACCESSORIES / REPLACEMENT PARTS	PART NUMBER
CLEAR POLYCARBONATE COVER	DMB-4772-CC
INFRA-RED COVER	DMB-4772-IRC
TERMINAL GUARD (PACK OF 2)	DMB-4762-TG
MOUNTING CLIP	DMB-4764-MC

TOLERANCES: +/- .005 BETWEEN HOLE CENTERS +/- .015 FROM SHEARED EDGE +/- .032 FROM A BENT SURFACE +/- .062 BETWEEN ASSEMBLED SURFACES	CAD GENERATED DRAWING, DO NOT MANUALLY UPDATE
UNLESS OTHERWISE SPECIFIED MATERIAL <b>AS NOTED</b>	APPROVALS DRAWN DH
FINISH <b>AS NOTED</b>	DATE 7/26/10
DO NOT SCALE DRAWING	CHECKED APPROVED

**BUD INDUSTRIES INC.**

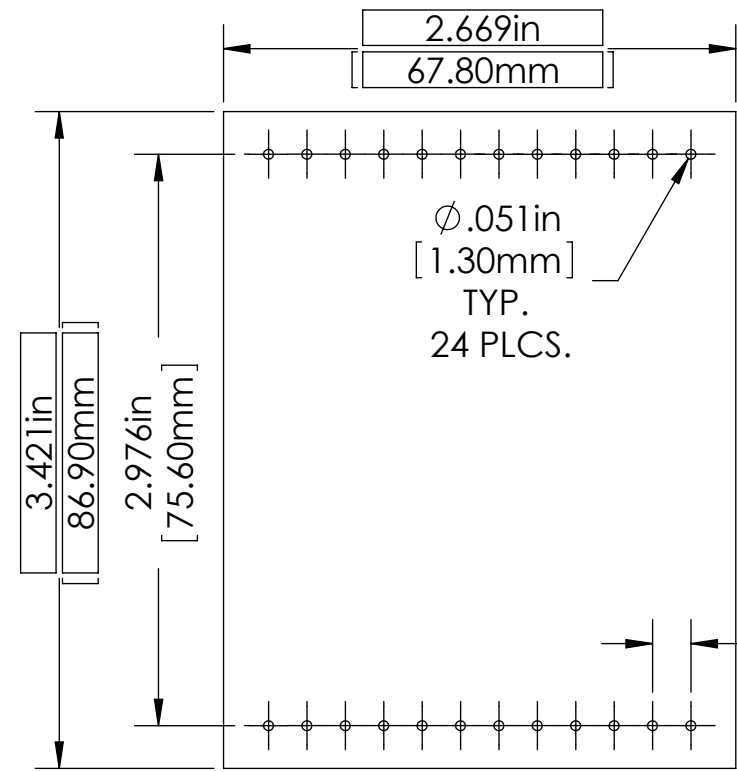
**DIN RAIL MOUNT MULTI-BOARD BOX**

SIZE	DWG. NO.	REV.
<b>B</b>	DMB-4772	
SCALE	CAD FILE:	SHEET 1 OF 2

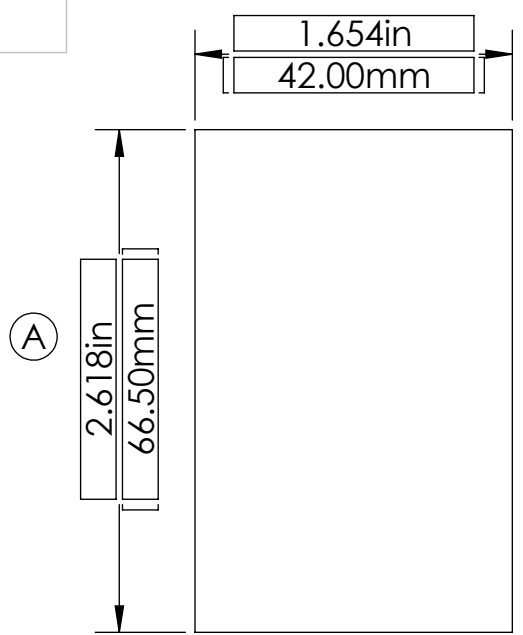
THE INFORMATION CONTAINED IN THIS DRAWING IS THE SOLE PROPERTY OF BUD INDUSTRIES INC. ANY REPRODUCTION IN PART OR WHOLE WITHOUT THE WRITTEN PERMISSION OF BUD INDUSTRIES INC. IS PROHIBITED.

DWG. NO.	DMB-4772	
ISSUE	REVISIONS	
(A)	SEE SHEET 1	

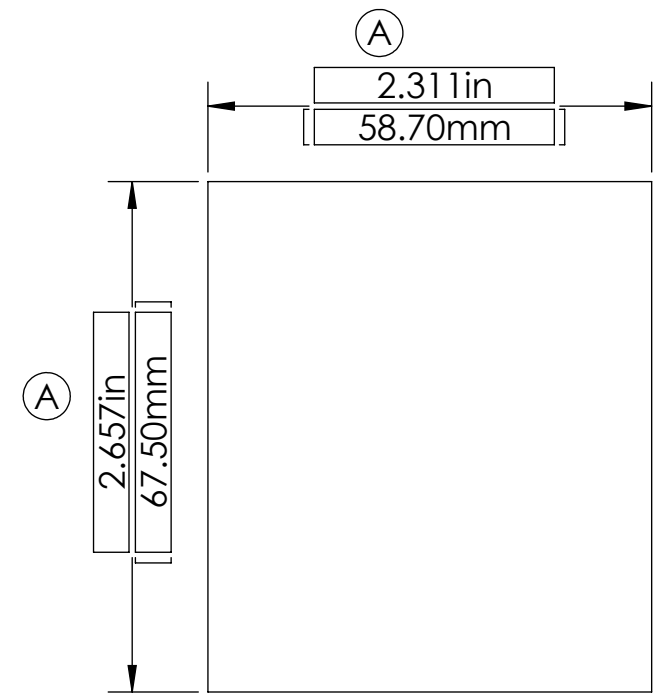
D  
C  
B  
A



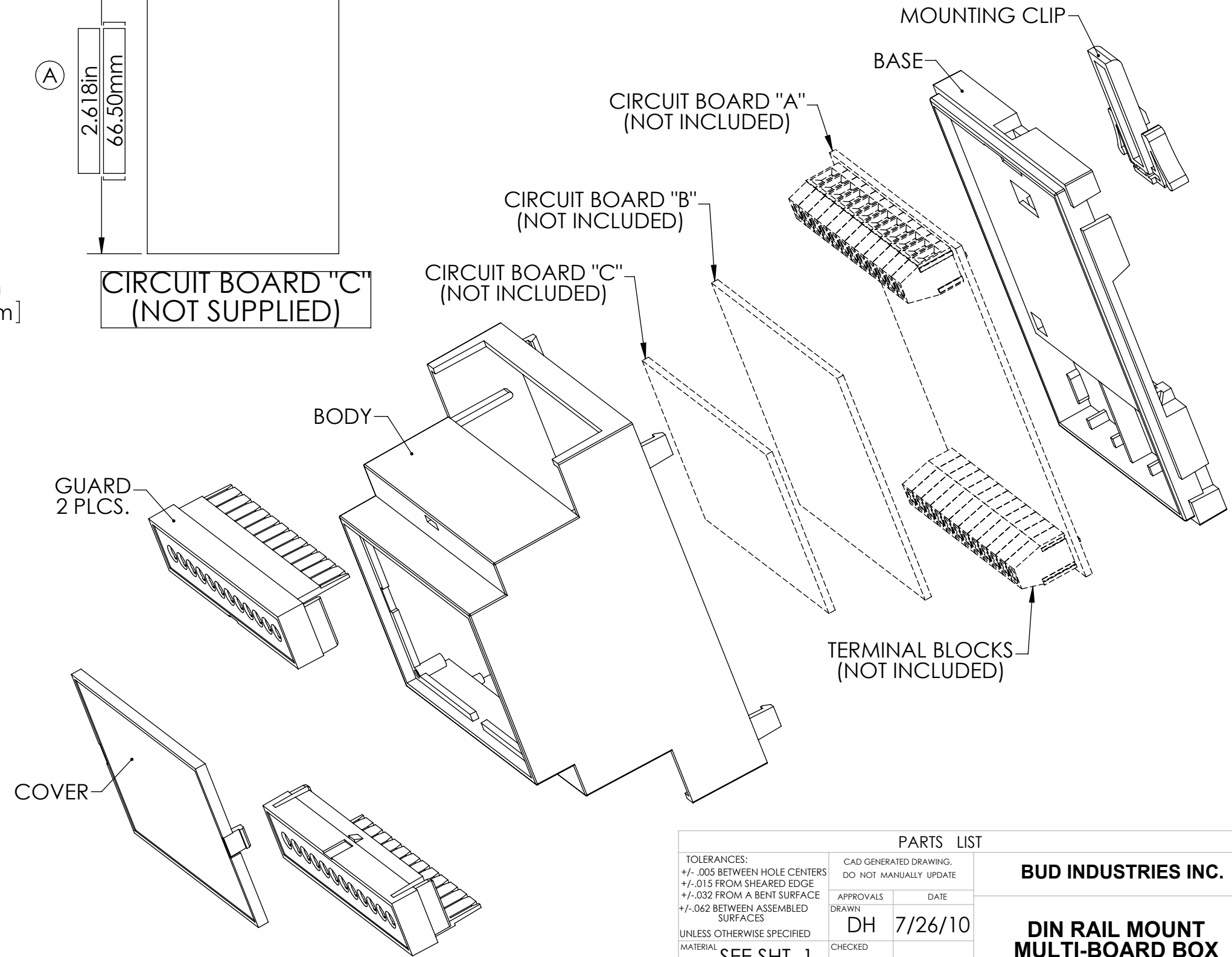
CIRCUIT BOARD "A"  
(NOT SUPPLIED)



CIRCUIT BOARD "C"  
(NOT SUPPLIED)



CIRCUIT BOARD "B"  
(NOT SUPPLIED)



TOLERANCES:		PARTS LIST		BUD INDUSTRIES INC.
+/- .005 BETWEEN HOLE CENTERS	CAD GENERATED DRAWING, DO NOT MANUALLY UPDATE	APPROVALS	DATE	
+/- .015 FROM SHEARED EDGE		DH	7/26/10	
+/- .032 FROM A BENT SURFACE		CHECKED		
+/- .062 BETWEEN ASSEMBLED SURFACES		APPROVED		
UNLESS OTHERWISE SPECIFIED MATERIAL	SEE SHT. 1			SIZE DWG. NO. DMB-4772
FINISH	SEE SHT. 1			SCALE CAD FILE: SHEET 2 OF 2
DO NOT SCALE DRAWING				

8 7 6 5 4 3 2 1

## Looking for pricing, stock, or lifecycle information?

Click below to explore more details on WIN SOURCE:

[View DMB-4772-TGH on WIN SOURCE](#)

[Bud Industries Information](#)

## Optimize Your Supply Chain with WIN SOURCE Solutions

- ✓ Global Sourcing Solution
- ✓ Obsolete Management
- ✓ Cost Control Management
- ✓ Shortage Management
- ✓ Alternative Solution
- ✓ Excess Inventory Management