



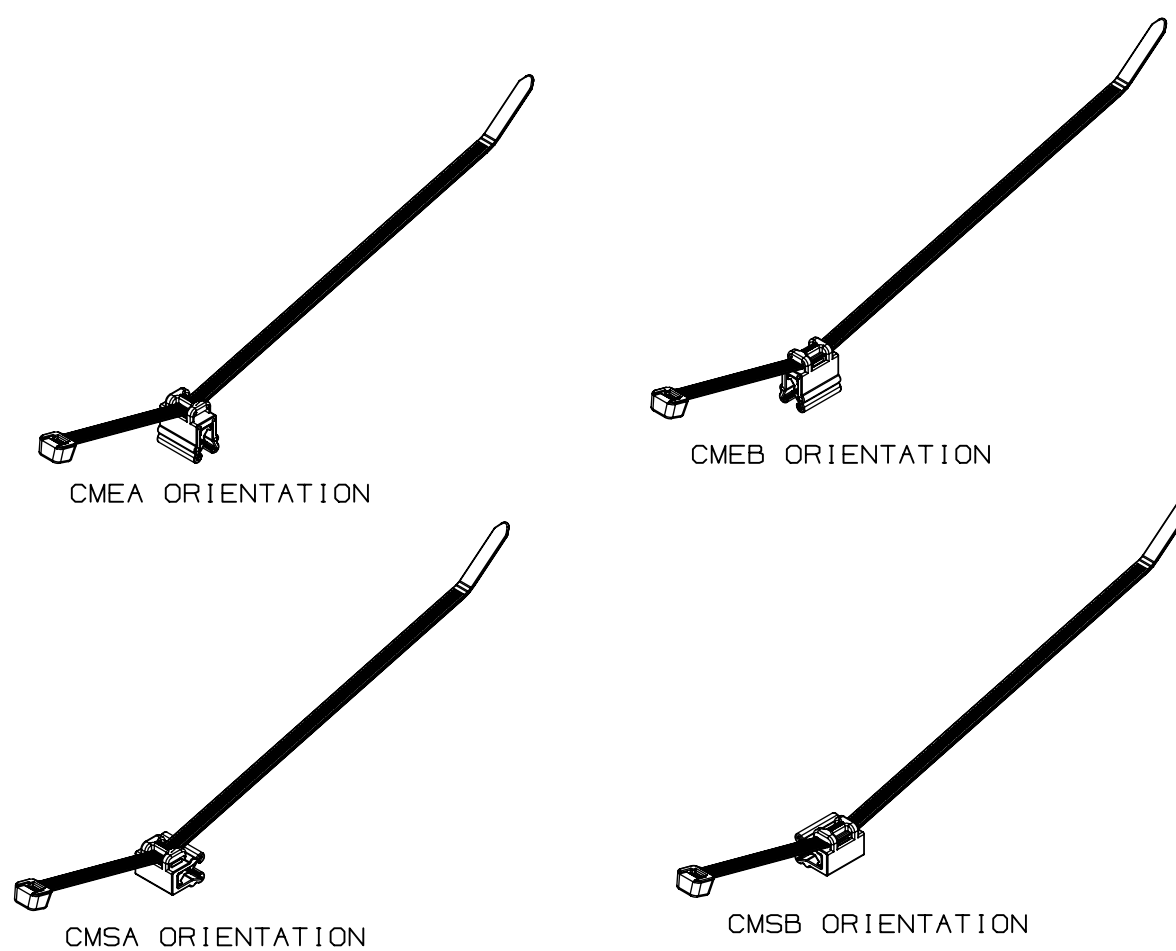
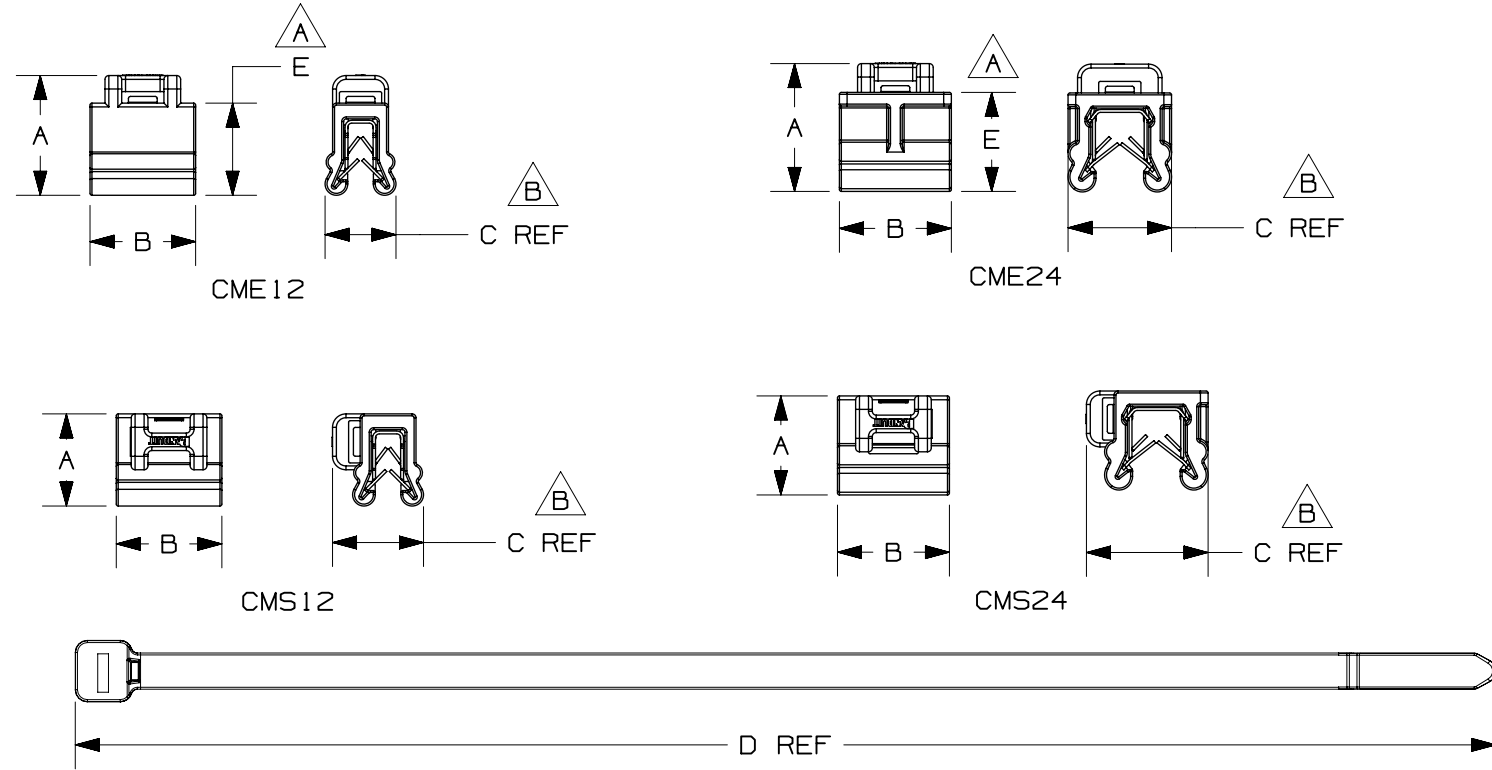
**THE DATASHEET OF  
CMSA24-2S-C300**



PART NUMBER	PANEL THICKNESS	MAX. BUNDLE DIAMETER	DIMENSIONS - IN (mm)					WEIGHT - g 100 PIECES				
			A	B	C REF $\triangle B$	D REF	E $\triangle A$					
CMEA12-2S	.028-.118 (.7mm-3mm)	1.88 (47.8mm)	.62 (15.7mm)	.55 (14.0mm)	.37 (9.4mm)	7.4 (188mm)	.48 (12.2mm)	282				
CMEB12-2S			.48 (12.2mm)	.55 (14.0mm)	.47 (11.9mm)		N/A		272			
CMSA12-2S		2.00 (51mm)	.62 (15.7mm)	.55 (14.0mm)	.37 (9.4mm)	8.0 (203mm)	.48 (12.2mm)	263				
CMSB12-2S			.48 (12.2mm)	.55 (14.0mm)	.47 (11.9mm)		N/A		253			
CMEA24-2S			.118-.236 (3mm-6mm)	1.88 (47.8mm)	.67 (17.0mm)		.58 (14.7mm)		.54 (13.7mm)	7.4 (188mm)	.52 (13.2mm)	331
CMEB24-2S					.52 (13.2mm)		.58 (14.7mm)		.63 (16.0)		N/A	
CMSA24-2S	2.00 (51mm)	.67 (17.0mm)		.58 (14.7mm)	.54 (13.7mm)	8.0 (203mm)	.52 (13.2mm)	312				
CMSB24-2S		.52 (13.2mm)		.58 (14.7mm)	.63 (16.0)		N/A		302			

NOTES:

- MATERIAL:
  - CABLE TIE: HEAT STABILIZED WEATHER RESISTANT NYLON 6.6 (-300)
  - EDGE CLIP (-300)
    - MOLDED BODY: HEAT STABILIZED WEATHER RESISTANT NYLON 6.6
    - METAL CLIP: STEEL, ZINC PLATED.
- PRE-ASSEMBLED CABLE TIE IS PLT2S OR BT2S (SEE TABLE FOR PART NUMBER ASSIGNMENT).
  - "2S" = PLT2S CABLE TIE; INSIDE SERRATED TIE; 50 LBS (222N) MIN. LOOP TENSILE STRENGTH.
  - "B2S" = BT2S CABLE TIE; BARB TIE, NO SERRATIONS; 50 LBS (222N)
  - FOR ORIENTATION, SEE IMAGES BELOW.
- NO INSTALLATION TOOL IS NEEDED TO AFFIX THE EDGE CLIP TO PANEL EDGE; USE PANDUIT GTS-E OR EQUIVALENT TOOL FOR TENSION AND CUT OF THE CABLE TIE.
- REFER TO WWW.PANDUIT.COM FOR AVAILABLE SUFFIX.



SCALE: 1/2X

REV	DATE	BY	CHK	APR	DESCRIPTION	ECN
01B	03/31/22	JBN	MDS	ALP	B. CHANGED DIMENSION "C" TO REFERENCE DIMENSION	084624/02
01A	02/25/22	JBN	MDS	JADE	A. ADDED DIMENSION "E" TO CME12 & CME24 VIEWS, DIMENSION VALUES SHOWN IN TABLE	084624/01
00	7/13/20	JHNU	MDS	RMHI	DRAWING RELEASED	084624

TITLE <b>EDGE CLIP WITH CABLE TIE ASSEMBLY</b> (SEE PART NUMBERS IN TABLE)	
CUSTOMER DRAWING	
ITEM REVISION NAME 01688NCD/01	<b>PANDUIT</b>
DATASET FILE NAME 01688NCD_DC/01B	
UNLESS OTHERWISE SPECIFIED, DIMENSIONAL TOLERANCES ARE: IN [mm]	
.x ± .1 [ 2.54 ]	.xxx ± .005 [ .127 ]
.xx ± .01 [ .25 ]	ANGLES ± 5 °
THIRD ANGLE PROJECTION	
DRAWING NUMBER: <b>01688NCD-DC</b>	
DRAWN BY JHNU	DATE 7/13/20
CHK MDS	SCALE FULL, 1/2
SHT 1 OF 1	
SIZE B	

D10100DB/17

## Looking for pricing, stock, or lifecycle information?

Click below to explore more details on WIN SOURCE:

 [View CMSA24-2S-C300 on WIN SOURCE](#)

 [Panduit Corp Information](#)

## Optimize Your Supply Chain with WIN SOURCE Solutions

-  Global Sourcing Solution
-  Obsolete Management
-  Cost Control Management
-  Shortage Management
-  Alternative Solution
-  Excess Inventory Management