



**THE DATASHEET OF
PV14-14F-C**



THIS COPY IS PROVIDED ON A RESTRICTED BASIS AND IS NOT TO BE USED IN ANY WAY DETRIMENTAL TO THE INTERESTS

PANDUIT PART NUMBER	STUD SIZE	DIMENSIONS in.				
		A ±.03	W ±.01	C ±.02	M ±.03	H ±.01
PV14-6F	#6	.84 (21,3)	.28 (7,11)	.19 (4,83)	.70 (17,8)	.15 (3,81)
PV14-6FN	#6	.84 (21,3)	.24 (6,10)	.19 (4,83)	.70 (17,8)	.15 (3,81)
PV14-8F	#8	.90 (22,9)	.31 (7,87)	.23 (5,84)	.74 (18,8)	.17 (4,32)
PV14-10F	#10	.92 (23,4)	.34 (8,64)	.24 (6,10)	.76 (19,3)	.20 (5,08)
PV14-10FN	#10	.92 (23,4)	.31 (7,87)	.24 (6,10)	.76 (19,3)	.20 (5,08)
PV14-14F	1/4"	1.09 (26,7)	.44 (11,2)	.32 (8,13)	.84 (21,3)	.27 (6,86)

NOTES:

1. UL LISTED & CSA CERTIFIED FOR 600 V. MAX. VOLTAGE RATING (1000 V. MAX. IN SIGNS, FIXTURES AND LUMINAIRES.)
- B. 16-14 AWG SOLID OR STRANDED COPPER WIRE & 221°F (105°C) MAX TEMP RATING WITH THE CT-100, CT-1550, CT-1551 INSTALLATION TOOLS.

2. MATERIAL:

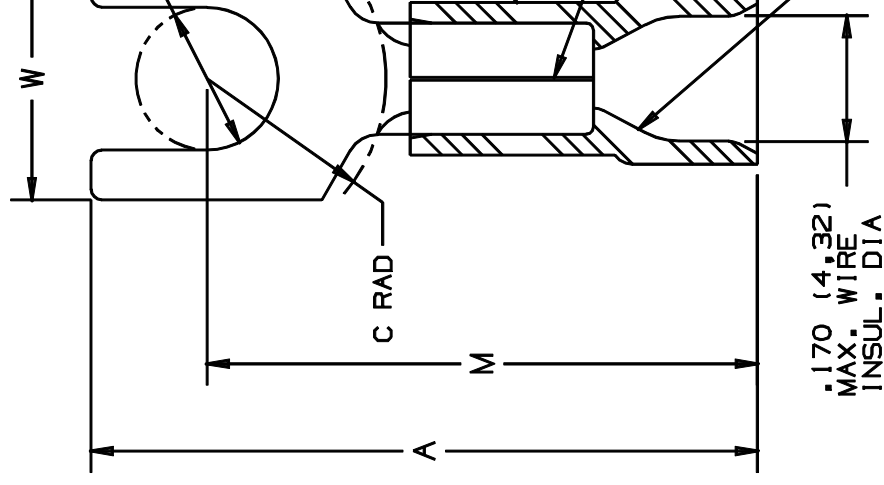
- A. STAMPING - .03 (.08) THK COPPER, TIN PLATED
- B. HOUSING - VINYL, BLUE

3. STRIP LENGTH 5/16 *1/32 .0

4. PACKAGE QTY:

- C=100
- M=1000

5. DIMENSIONS IN BRACKETS ARE IN MILLIMETERS.



LISTED
587H
E52164



CERTIFIED
LR31212



03	10/00	EJS		ADDED PART PV14-14F, REMOVED CT-500, CT-550, ADDED CT-1550, CT-1551 TO NOTE 1-B							
02	1/97	TM	RLS	TEMP RTG. FOR CT-100 WAS 167°F (75°C) REMOVED CT-250, FILESPEC WAS N41193AA_PCD_01	05469	LA	TJBU				
01	10/94	MS	RLS	UPDATED NOTES AND DIMENSIONS		LA	TKE				
R	3/88	FS	LM	RELEASED		LA	JRB				
REV	DATE	BY	CHK	DESCRIPTION	ECN #	CUST	PM	DRAWN BY	CHK'D	FES	N

2PC. VINYL
#16-14 BARR

PANDUIT
CORP.

Looking for pricing, stock, or lifecycle information?

Click below to explore more details on WIN SOURCE:

-  [View PV14-14F-C on WIN SOURCE](#)
-  [Panduit Corp Information](#)

Optimize Your Supply Chain with WIN SOURCE Solutions

-  Global Sourcing Solution
-  Obsolete Management
-  Cost Control Management
-  Shortage Management
-  Alternative Solution
-  Excess Inventory Management