



**THE DATASHEET OF
TPS40200EVM-002**



Using the TPS40200

The TPS40200EVM-002 evaluation module (EVM) uses the TPS40200 non-synchronous buck converter to provide a resistor-selected, 3.3-V output that delivers up to 2.5 A from a 24-V input bus. The EVM operates from a single supply and uses a single P-channel power FET and Schottky diode to produce a low-cost buck converter. The part operates at a 200-kHz clock frequency as determined by an external resistor and capacitor.

Contents

1	Description	2
2	TPS40200EVM-002 Electrical and Performance Specifications.....	2
3	Schematic.....	3
4	Test Setup	4
5	TPS40200EVM Typical Performance Data and Characteristic Curves.....	7
6	EVM Assembly Drawings and Layout.....	7
7	List of Materials.....	12

List of Figures

1	TPS40200EVM-002 Schematic.....	3
2	TPS40200EVM-002 Recommended Test Setup	6
3	Output Ripple Measurement - Tip and Barrel Using TP14 and TP15	6
4	TPS40200EVM-002 Efficiency	7
5	Typical TPS40200EVM-002 Line and Load Regulation – $V_{OUT} = 3.312\text{ V}$	7
6	TPS40200EVM-002 Component Placement (Viewed from Top).....	8
7	TPS40200EVM-002 Silkscreen (Viewed from Top)	9
8	TPS40200EVM-002 Top View.....	10
9	TPS40200EVM-002 Bottom View	11

List of Tables

1	Adjusting V_{OUT} With R9 Rounded to Standard 1% Resistor Values	4
2	TPS40200EVM-002 Bill of Materials.....	12

1 Description

The TPS40200EVM-002 is designed to operate with an 18 to 36-volt input to produce a regulated 3.3-V output with a load current from 0.125 to 2.5 A. The TPS40200EVM-002 demonstrates the use of the TPS40200 in a typical buck converter application. The board sacrifices some layout density to provide ample test points for device evaluation. This EVM can be modified to support output voltages from 0.7 V to 5 V and above by changing a single feedback resistor. [Table 1](#) gives specific 1% resistor values for some common output voltages.

1.1 Features

- 18-V to 36-V input range
- 3.3-V output, adjustable with single feedback resistor
- 0.125-A to 2.5-A steady-state output current
- 200-kHz switching frequency
- Single P-channel MOSFET and single rectifier
- Two-layer, 1.275-inch × 1.675-inch, surface-mount design with all components on one side
- Convenient test points for probing critical waveforms and noninvasive loop response testing

1.2 Applications

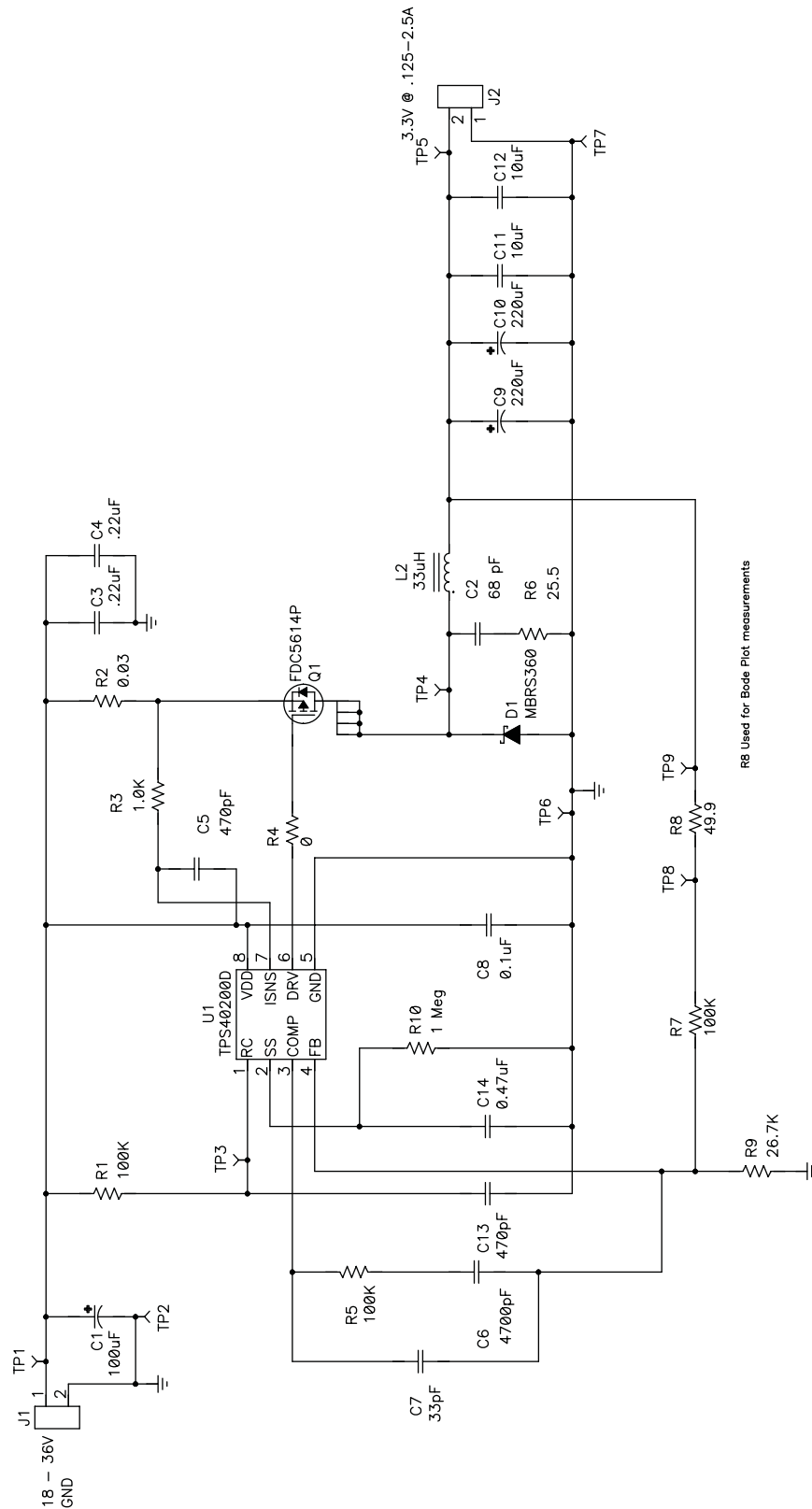
- Non-isolated medium-current, point-of-load and low-voltage bus converters
- Scanners
- Industrial controls
- Distributed power systems
- DSL/cable modems

2 TPS40200EVM-002 Electrical and Performance Specifications

PARAMETER		TEXT CONDITIONS	MIN	NOM	MAX	UNIT
V_{IN}	Input voltage		18	24	36	V
V_{OUT}	Output voltage	$V_{IN} = 24\text{ V}$, $I_{OUT} = 2.5\text{ A}$	3.2	3.3	3.4 ⁽¹⁾	V
I_{OUT}	Output current		0.125		2.5	A
	Line regulation	$V_{IN} = 18\text{-}36\text{ V}$, $I_{OUT} = 0.125\text{-}2.5\text{ A}$. Set Point Voltage mV		3	6	mV
	Load regulation	$V_{IN} = 18\text{-}36\text{ V}$, $I_{OUT} = 0.125\text{-}2.5\text{ A}$. Set Point Voltage mV		3	6	mV
V_{RIPPLE}	Output ripple voltage	$V_{IN} = 36\text{ V}$, $I_{OUT} = 2.5\text{ A}$		60		mV
V_{OVER}	Output overshoot	For 2.5 to 0.125-A load transient		100		mV
V_{UNDER}	Output undershoot	For 0.125 to 2.5-A load transient		100		mV
I_{SCP}	Short-circuit current trip point	$I_{MAX} +50\%$ minimum	3.75		5	A
	Efficiency	At nominal input voltage and maximum output current		80		%
F_S	Switching frequency			200		kHz

⁽¹⁾ Set-point accuracy depends on external resistor tolerance. 1% resistors are used in this EVM.

3 Schematic



NOTE: For reference only; see Table 2, Bill of Materials for specific values

Figure 1. TPS40200EVM-002 Schematic

3.1 Adjusting Output Voltage (R7 and R9)

The regulated output voltage can be adjusted within a limited range by changing the ground resistor in the feedback resistor divider (R7 and R9). The value for the feedback resistor (R9) for any output voltage is given by [Equation 1](#)

$$R9 = \frac{V_{REF} \cdot R7}{V_{OUT} - V_{REF}} \quad (1)$$

where

- $V_{REF} = 0.700 \text{ V}$
- $R7 = 100 \text{ k}\Omega$

[Table 1](#) contains common values for R9 to generate popular output voltages. TPS40200EVM-002 is stable through this entire range of output voltages. Efficiency rises with output voltage.

Table 1. Adjusting V_{OUT} With R9 Rounded to Standard 1% Resistor Values

OUTPUT VOLTAGE (V)	R9 - FEEDBACK RESISTOR DIVIDER (k Ω)
5	16.2
3.3	26.7
2.5	39
2	53.6
1.8	63.4
1.5	86.6
1.2	140

4 Test Setup

4.1 Equipment

4.1.1 Voltage Source

V_{IN} — The input voltage source (V_{IN}) should be a 0-V to 36-V variable dc source capable of delivering 5 A.

METERS

- A1: 0-A to 5-A dc ammeter
- V1: V_{IN} , 0-V to 40-V voltmeter
- V2: V_{OUT} 0 V to 10-V voltmeter

4.1.2 Loads

LOAD1 — The output load (LOAD1) should be an electronic constant-current-mode load capable of 0-5 A dc at 1.5 V.

4.1.3 Recommended Wire Gauge

V_{IN} to J1 — The connection between the source voltage, V_{IN} and J1 of the HPA154 can carry as much as 3 A dc. The minimum recommended wire size is AWG #16 with the length of wire less than 4 feet (2 feet input, 2 feet return).

J2 to LOAD1 (Power) — The power connection between J3 of the HPA154 and LOAD1 can carry as much as 5 A dc. The minimum recommended wire size is 2x AWG #16, with the length of wire less than 4 feet (2 feet output, 2 feet return).

J2 to LOAD1 (Remote Sense) — If remote sense is used, the remote sense connection between J2 of HPA154 and LOAD1 will carry less than 1 A dc. The minimum recommended wire size is AWG #22, with the length of wire less and 4 feet (2 feet output, 2 feet return).

4.1.4 Oscilloscope

A 60-MHz or faster oscilloscope can be used to measure the ripple voltage on V_{OUT} . The oscilloscope should be set for 1-M Ω impedance, ac coupling, 1- μ s/division horizontal resolution, and 20-mV/division vertical resolution for measuring output ripple. TP5 and TP7 can be used to measure the output ripple voltage by placing the oscilloscope probe tip through TP5 and holding the ground barrel to TP7 as shown in [Figure 2](#). For a hands-free approach, the loop in TP7 can be cut and opened to cradle the probe barrel. Using a leaded ground connection may induce additional noise due to the large ground loop area.

4.2 Equipment Setup

The recommended basic test setup to evaluate the TPS40200EVM-002 is shown in [Figure 2](#). Note that although the return for J1 and J2 are the same, the connections should remain separate as shown in [Figure 2](#).

4.2.1 Procedure

1. Working at an ESD workstation, ensure that any wrist straps, bootstraps, or mats are connected to earth ground before power is applied to the EVM. Electrostatic smock and safety glasses should also be worn.
2. Prior to connecting the dc-input source, V_{IN} , it is advisable to limit the source current from V_{IN} to a maximum of 5 A. Ensure that V_{IN} is initially set to 0 V and connected as shown in [Figure 2](#).
3. Connect the ammeter A1 (0-A to 5-A range) between V_{IN} and J1 as shown in [Figure 2](#).
4. Connect voltmeter V1 to TP1 and TP2 as shown in [Figure 2](#).
5. Connect LOAD1 to J2 as shown in [Figure 1](#). Set LOAD1 to constant-current mode to sink 0 A dc before V_{IN} is applied.
6. Connect voltmeter, V2 across J2 pin 3 and J2 pin 2 as shown in [Figure 2](#).
7. Connect the oscilloscope probe to TP5 and TP7 as shown in [Figure 3](#).

4.2.2 Diagram

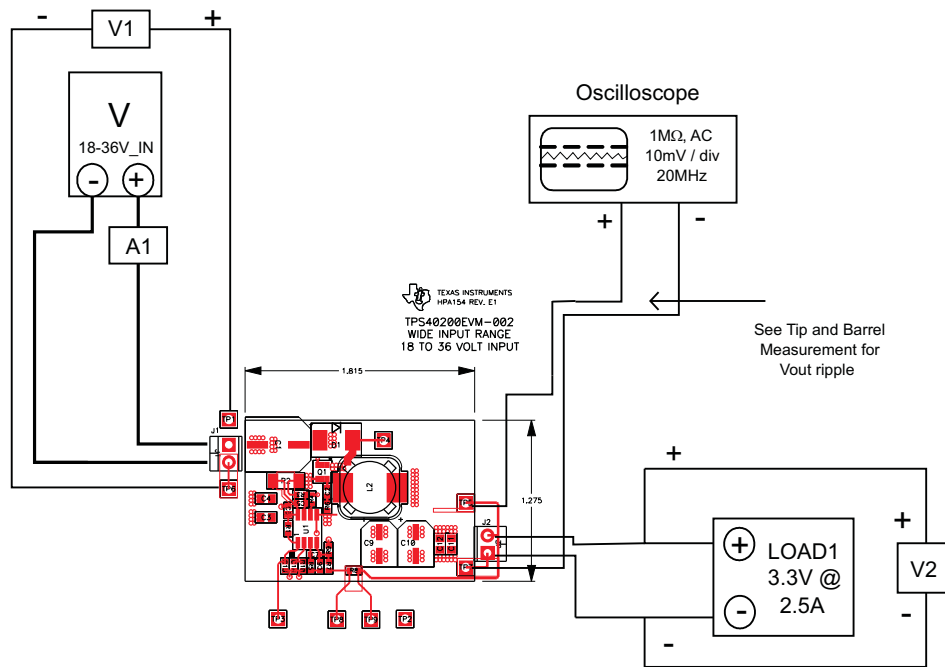


Figure 2. TPS40200EVM-002 Recommended Test Setup

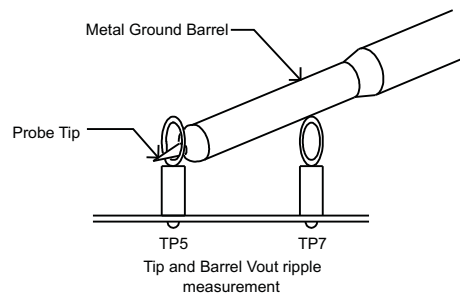


Figure 3. Output Ripple Measurement - Tip and Barrel Using TP14 and TP15

4.3 Startup/Shutdown Procedure

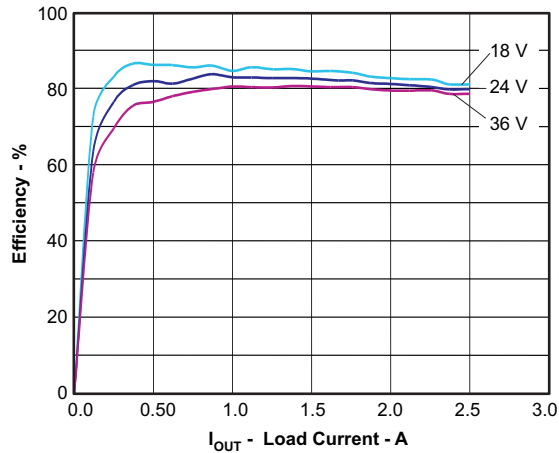
- Increase V_{IN} (V1) from 0 V to 18 V dc.
- Vary LOAD1 from 0 A to 2.5 A dc.
- Vary V_{IN} (V1) from 18 V dc to 36 V dc.
- Decrease LOAD1 to 0 A.
- Decrease V_{IN} to 0 V.

4.4 Equipment Shutdown

- Shut down oscilloscope.
- Shut down LOAD1.
- Shut down V_{IN} .

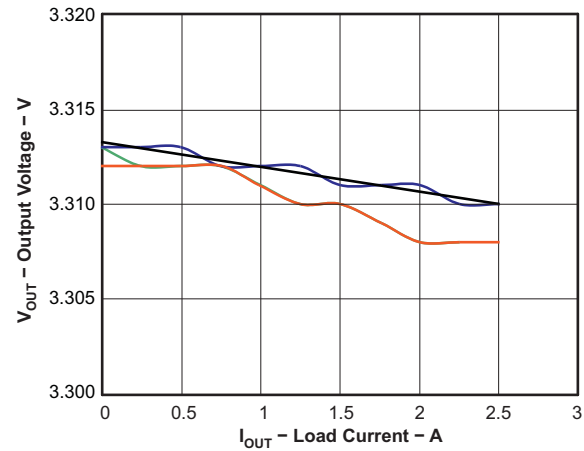
5 TPS40200EVM Typical Performance Data and Characteristic Curves

Figure 4 through Figure 5 present typical performance curves for the TPS40200EVM-002. Because actual performance data can be affected by measurement techniques and environmental variables, these curves are presented for reference and may differ from actual field measurements.



NOTE: $V_{IN} = 18\text{ V}, 24\text{ V}, \text{ and } 36\text{ V}$, $V_{OUT} = 3.3\text{ V}$, $I_{OUT} = 0.125\text{ A to } 2.5\text{ A}$

Figure 4. TPS40200EVM-002 Efficiency



NOTE: Data taken at 18 and 36 volts with a straight-line approximation provided.

Figure 5. Typical TPS40200EVM-002 Line and Load Regulation – $V_{OUT} = 3.312\text{ V}$

6 EVM Assembly Drawings and Layout

The following figures (Figure 6 through Figure 9) show the design of the TPS40200EVM-002 printed-circuit board. The EVM has been designed using a 2-layer, 2-oz copper-clad circuit board, 1.275-inch × 1.815-inch in size, with all components on the top side to allow the user to easily view, probe, and evaluate the TPS40200 control IC in a practical application. Moving components to both sides of the PCB or using additional internal layers can offer additional size reduction for space-constrained systems.

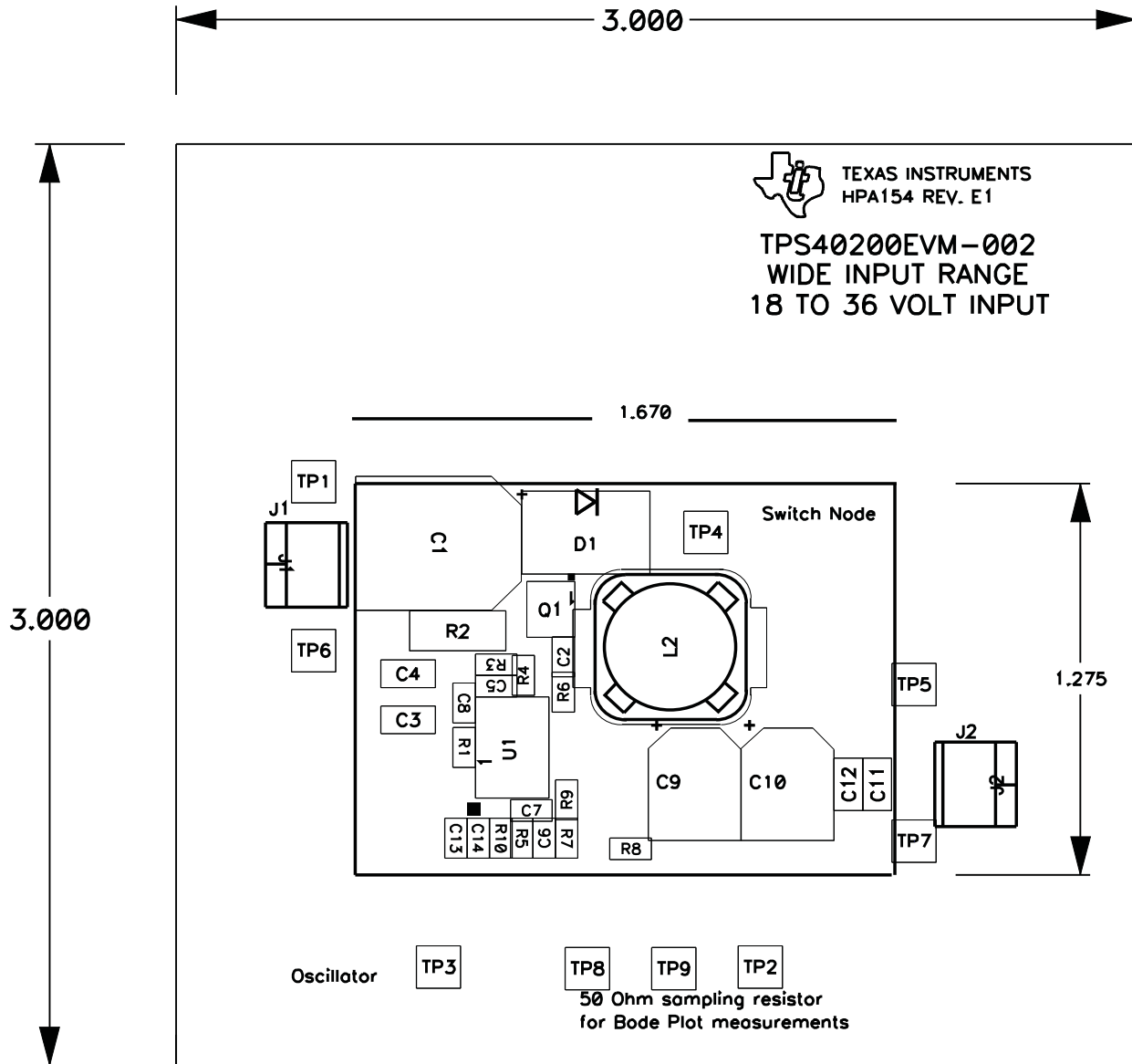


Figure 6. TPS40200EVM-002 Component Placement (Viewed from Top)

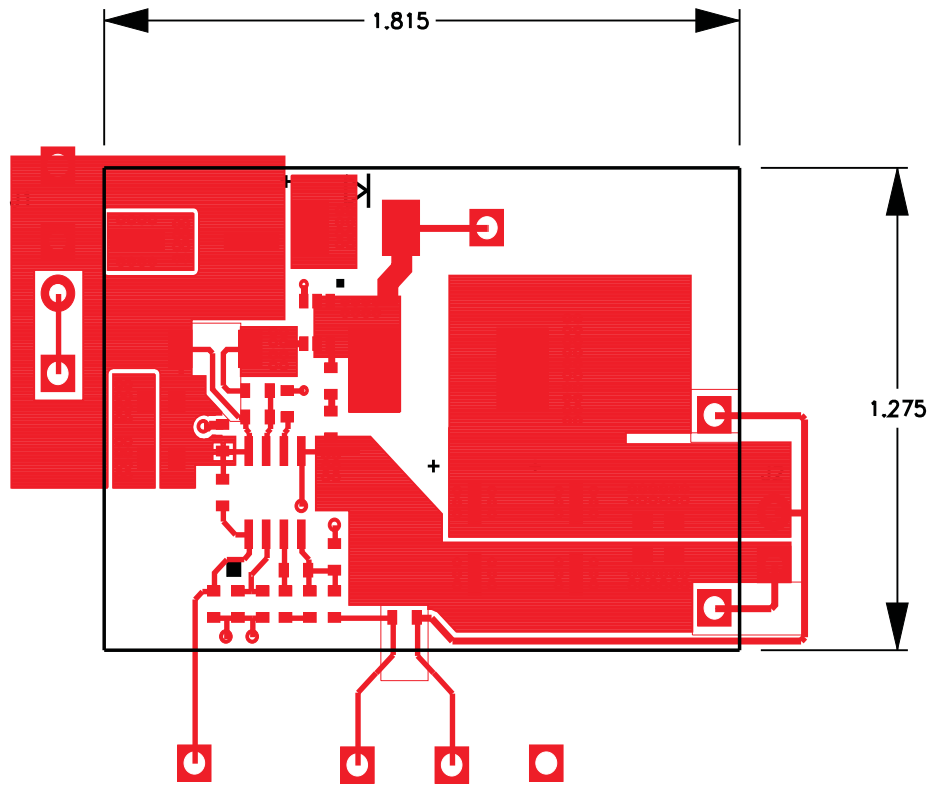


Figure 7. TPS40200EVM-002 Silkscreen (Viewed from Top)

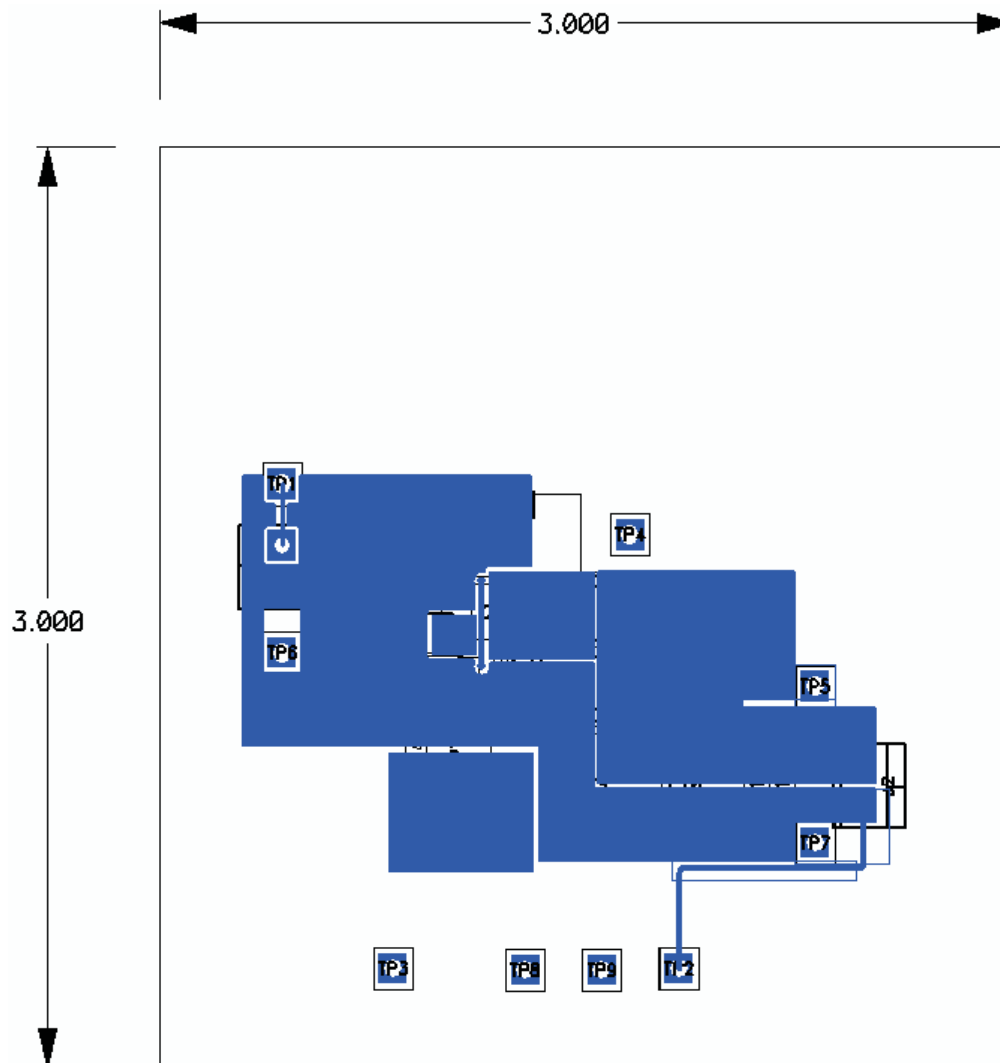


Figure 8. TPS40200EVM-002 Top View

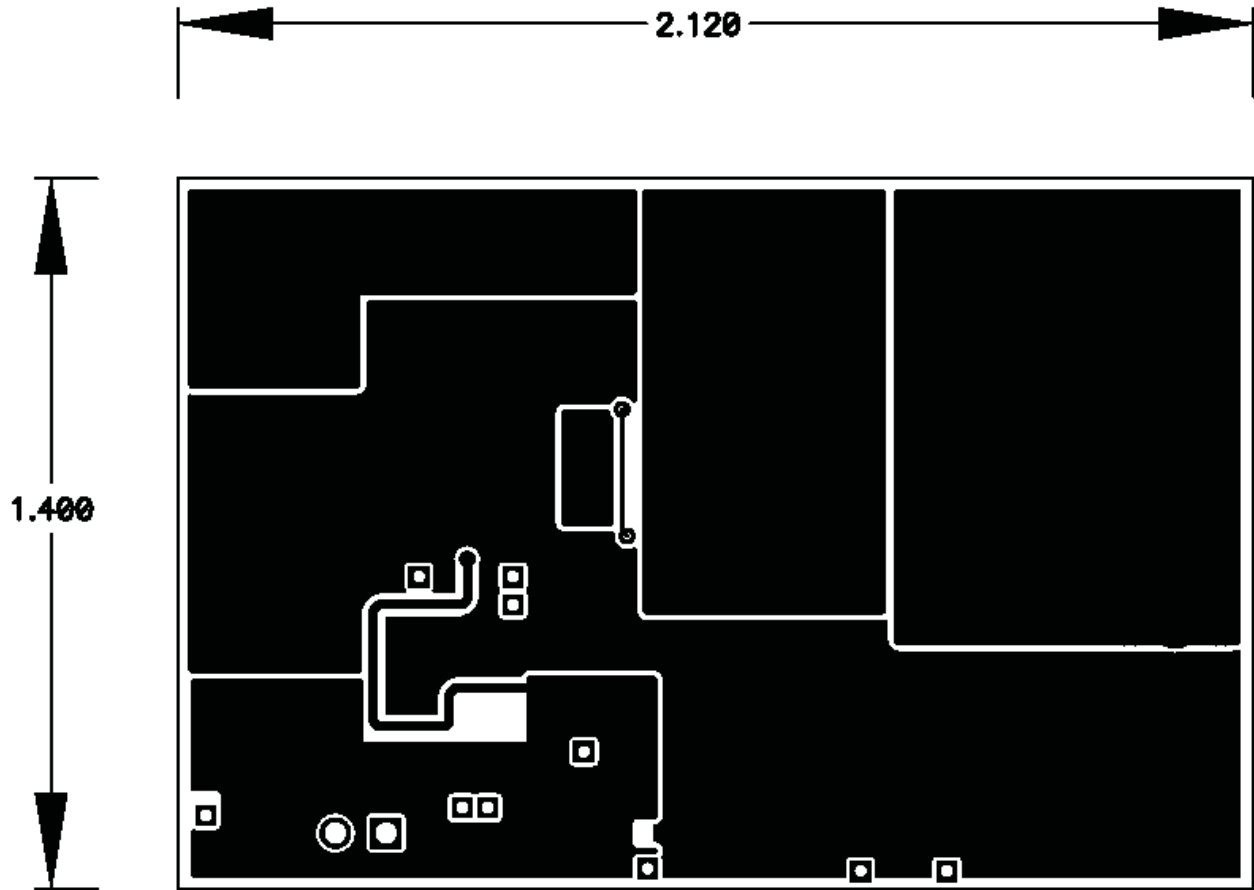


Figure 9. TPS40200EVM-002 Bottom View

7 List of Materials

Table 2 lists the EVM components as configured according to the schematic shown in Figure 1.

Table 2. TPS40200EVM-002 Bill of Materials

Count	Ref Des	Value	Description	Size	Part Number	MFR
1	C1	100 μ F	Capacitor, Aluminum, 63 V, 20%	0.457 x 0.406	EEVFK1J101P	Panasonic
2	C11, C12	10 μ F	Capacitor, Ceramic, 6.3 V, X5R 20%	0805	Std	Std
1	C14	0.47 μ F	Capacitor, Ceramic, 16 V, X5R, 20%	0603	Std	Std
1	C2	68 pF	Capacitor, Ceramic, 50 V, X7R, 20%	0603	Std	Std
2	C3, C4	0.22 μ F	Capacitor, Ceramic, 50 V, X7R, 20%	0805	Std	Std
2	C5, C13	470 pF	Capacitor, Ceramic, 50 V, X7R, 20%	0603	Std	Std
1	C6	4700 pF	Capacitor, Ceramic, 50 V, X7R, 20%	0603	Std	Std
1	C7	33 pF	Capacitor, Ceramic, 50 V, X7R, 20%	0603	Std	Std
1	C8	0.1 μ F	Capacitor, Ceramic, 50 V, X7R, 20%	0603	Std	Std
2	C9, C10	220 μ F	Capacitor, Aluminum, 6.3 V, 20%	0.260 x 0.276 inch	EEVFK0J221P	Panasonic
1	D1	MBRS360	Diode, Schottky, 3 A, 60 V	SMC	MBRS360	On Semi
1	L2	33 μ H	Inductor, SMT, 33 μ H, 3.23 A, 0.06 Ω	0.492 sq"	DR127-330	Coiltronics
1	Q1	FDC5614P	Transistor, MOSFET, Pch, -3 A, -60 V,	SuperSOT-6	FDC5614P	Fairchild
3	R1, R5, R7	100 k Ω	Resistor, Chip, 1/16 W, 1%	0603	Std	Std
1	R10	1 M Ω	Resistor, Chip, 1/16 W, 1%	0603	Std	Std
1	R2	0.03 Ω	Resistor, Chip, W, 5%	2010	Std	Std
1	R3	1.0 k Ω	Resistor, Chip, 1/16 W, 1%	0603	Std	Std
1	R4	0 Ω	Resistor, Chip, 1/16 W, 1%	0603	Std	Std
1	R6	25.5 Ω	Resistor, Chip, 1/16 W, 1%	0603	Std	Std
1	R8	49.9 Ω	Resistor, Chip, 1/16 W, 1%	0603	Std	Std
1	R9	26.7 k Ω	Resistor, Chip, 1/16 W, 1%	0603	Std	Std
1	U1	TPS40200D	IC, Low Cost Sync Buck Controller	SO-8	TPS40200D	TI
1	-		PCB, 3 In x 3 In x 0.063 In		HPA154_PCB	Any

EVALUATION BOARD/KIT IMPORTANT NOTICE

Texas Instruments (TI) provides the enclosed product(s) under the following conditions:

This evaluation board/kit is intended for use for **ENGINEERING DEVELOPMENT, DEMONSTRATION, OR EVALUATION PURPOSES ONLY** and is not considered by TI to be a finished end-product fit for general consumer use. Persons handling the product(s) must have electronics training and observe good engineering practice standards. As such, the goods being provided are not intended to be complete in terms of required design-, marketing-, and/or manufacturing-related protective considerations, including product safety and environmental measures typically found in end products that incorporate such semiconductor components or circuit boards. This evaluation board/kit does not fall within the scope of the European Union directives regarding electromagnetic compatibility, restricted substances (RoHS), recycling (WEEE), FCC, CE or UL, and therefore may not meet the technical requirements of these directives or other related directives.

Should this evaluation board/kit not meet the specifications indicated in the User's Guide, the board/kit may be returned within 30 days from the date of delivery for a full refund. **THE FOREGOING WARRANTY IS THE EXCLUSIVE WARRANTY MADE BY SELLER TO BUYER AND IS IN LIEU OF ALL OTHER WARRANTIES, EXPRESSED, IMPLIED, OR STATUTORY, INCLUDING ANY WARRANTY OF MERCHANTABILITY OR FITNESS FOR ANY PARTICULAR PURPOSE.**

The user assumes all responsibility and liability for proper and safe handling of the goods. Further, the user indemnifies TI from all claims arising from the handling or use of the goods. Due to the open construction of the product, it is the user's responsibility to take any and all appropriate precautions with regard to electrostatic discharge.

EXCEPT TO THE EXTENT OF THE INDEMNITY SET FORTH ABOVE, NEITHER PARTY SHALL BE LIABLE TO THE OTHER FOR ANY INDIRECT, SPECIAL, INCIDENTAL, OR CONSEQUENTIAL DAMAGES.

TI currently deals with a variety of customers for products, and therefore our arrangement with the user **is not exclusive.**

TI assumes **no liability for applications assistance, customer product design, software performance, or infringement of patents or services described herein.**

Please read the User's Guide and, specifically, the Warnings and Restrictions notice in the User's Guide prior to handling the product. This notice contains important safety information about temperatures and voltages. For additional information on TI's environmental and/or safety programs, please contact the TI application engineer or visit www.ti.com/esh.

No license is granted under any patent right or other intellectual property right of TI covering or relating to any machine, process, or combination in which such TI products or services might be or are used.

FCC Warning

This evaluation board/kit is intended for use for **ENGINEERING DEVELOPMENT, DEMONSTRATION, OR EVALUATION PURPOSES ONLY** and is not considered by TI to be a finished end-product fit for general consumer use. It generates, uses, and can radiate radio frequency energy and has not been tested for compliance with the limits of computing devices pursuant to part 15 of FCC rules, which are designed to provide reasonable protection against radio frequency interference. Operation of this equipment in other environments may cause interference with radio communications, in which case the user at his own expense will be required to take whatever measures may be required to correct this interference.

EVM WARNINGS AND RESTRICTIONS

It is important to operate this EVM within the input voltage range of 0 V to 36 V and the output voltage range of 0 V to 6.3 V.

Exceeding the specified input range may cause unexpected operation and/or irreversible damage to the EVM. If there are questions concerning the input range, please contact a TI field representative prior to connecting the input power.

Applying loads outside of the specified output range may result in unintended operation and/or possible permanent damage to the EVM. Please consult the EVM User's Guide prior to connecting any load to the EVM output. If there is uncertainty as to the load specification, please contact a TI field representative.

During normal operation, some circuit components may have case temperatures greater than 100°C. The EVM is designed to operate properly with certain components above 100°C as long as the input and output ranges are maintained. These components include but are not limited to linear regulators, switching transistors, pass transistors, and current sense resistors. These types of devices can be identified using the EVM schematic located in the EVM User's Guide. When placing measurement probes near these devices during operation, please be aware that these devices may be very warm to the touch.

Mailing Address: Texas Instruments, Post Office Box 655303, Dallas, Texas 75265
Copyright 2006, Texas Instruments Incorporated

IMPORTANT NOTICE

Texas Instruments Incorporated and its subsidiaries (TI) reserve the right to make corrections, modifications, enhancements, improvements, and other changes to its products and services at any time and to discontinue any product or service without notice. Customers should obtain the latest relevant information before placing orders and should verify that such information is current and complete. All products are sold subject to TI's terms and conditions of sale supplied at the time of order acknowledgment.

TI warrants performance of its hardware products to the specifications applicable at the time of sale in accordance with TI's standard warranty. Testing and other quality control techniques are used to the extent TI deems necessary to support this warranty. Except where mandated by government requirements, testing of all parameters of each product is not necessarily performed.

TI assumes no liability for applications assistance or customer product design. Customers are responsible for their products and applications using TI components. To minimize the risks associated with customer products and applications, customers should provide adequate design and operating safeguards.

TI does not warrant or represent that any license, either express or implied, is granted under any TI patent right, copyright, mask work right, or other TI intellectual property right relating to any combination, machine, or process in which TI products or services are used. Information published by TI regarding third-party products or services does not constitute a license from TI to use such products or services or a warranty or endorsement thereof. Use of such information may require a license from a third party under the patents or other intellectual property of the third party, or a license from TI under the patents or other intellectual property of TI.

Reproduction of TI information in TI data books or data sheets is permissible only if reproduction is without alteration and is accompanied by all associated warranties, conditions, limitations, and notices. Reproduction of this information with alteration is an unfair and deceptive business practice. TI is not responsible or liable for such altered documentation. Information of third parties may be subject to additional restrictions.

Resale of TI products or services with statements different from or beyond the parameters stated by TI for that product or service voids all express and any implied warranties for the associated TI product or service and is an unfair and deceptive business practice. TI is not responsible or liable for any such statements.

TI products are not authorized for use in safety-critical applications (such as life support) where a failure of the TI product would reasonably be expected to cause severe personal injury or death, unless officers of the parties have executed an agreement specifically governing such use. Buyers represent that they have all necessary expertise in the safety and regulatory ramifications of their applications, and acknowledge and agree that they are solely responsible for all legal, regulatory and safety-related requirements concerning their products and any use of TI products in such safety-critical applications, notwithstanding any applications-related information or support that may be provided by TI. Further, Buyers must fully indemnify TI and its representatives against any damages arising out of the use of TI products in such safety-critical applications.

TI products are neither designed nor intended for use in military/aerospace applications or environments unless the TI products are specifically designated by TI as military-grade or "enhanced plastic." Only products designated by TI as military-grade meet military specifications. Buyers acknowledge and agree that any such use of TI products which TI has not designated as military-grade is solely at the Buyer's risk, and that they are solely responsible for compliance with all legal and regulatory requirements in connection with such use.

TI products are neither designed nor intended for use in automotive applications or environments unless the specific TI products are designated by TI as compliant with ISO/TS 16949 requirements. Buyers acknowledge and agree that, if they use any non-designated products in automotive applications, TI will not be responsible for any failure to meet such requirements.

Following are URLs where you can obtain information on other Texas Instruments products and application solutions:

Products

Amplifiers	amplifier.ti.com
Data Converters	dataconverter.ti.com
DLP® Products	www.dlp.com
DSP	dsp.ti.com
Clocks and Timers	www.ti.com/clocks
Interface	interface.ti.com
Logic	logic.ti.com
Power Mgmt	power.ti.com
Microcontrollers	microcontroller.ti.com
RFID	www.ti-rfid.com
RF/IF and ZigBee® Solutions	www.ti.com/lprf

Applications

Audio	www.ti.com/audio
Automotive	www.ti.com/automotive
Broadband	www.ti.com/broadband
Digital Control	www.ti.com/digitalcontrol
Medical	www.ti.com/medical
Military	www.ti.com/military
Optical Networking	www.ti.com/opticalnetwork
Security	www.ti.com/security
Telephony	www.ti.com/telephony
Video & Imaging	www.ti.com/video
Wireless	www.ti.com/wireless

Mailing Address: Texas Instruments, Post Office Box 655303, Dallas, Texas 75265
Copyright © 2009, Texas Instruments Incorporated

Looking for pricing, stock, or lifecycle information?

Click below to explore more details on WIN SOURCE:

 [View TPS40200EVM-002 on WIN SOURCE](#)

 [Texas Instruments](#) Information

Optimize Your Supply Chain with WIN SOURCE Solutions

-  Global Sourcing Solution
-  Obsolete Management
-  Cost Control Management
-  Shortage Management
-  Alternative Solution
-  Excess Inventory Management