



**THE DATASHEET OF
CA3240EZ**



CA3240, CA3240A

Dual, 4.5MHz, BiMOS Operational Amplifier with MOSFET Input/Bipolar Output

FN1050
Rev 6.00
March 4, 2005

The CA3240A and CA3240 are dual versions of the popular CA3140 series integrated circuit operational amplifiers. They combine the advantages of MOS and bipolar transistors on the same monolithic chip. The gate-protected MOSFET (PMOS) input transistors provide high input impedance and a wide common-mode input voltage range (typically to 0.5V below the negative supply rail). The bipolar output transistors allow a wide output voltage swing and provide a high output current capability.

The CA3240A and CA3240 are compatible with the industry standard 1458 operational amplifiers in similar packages.

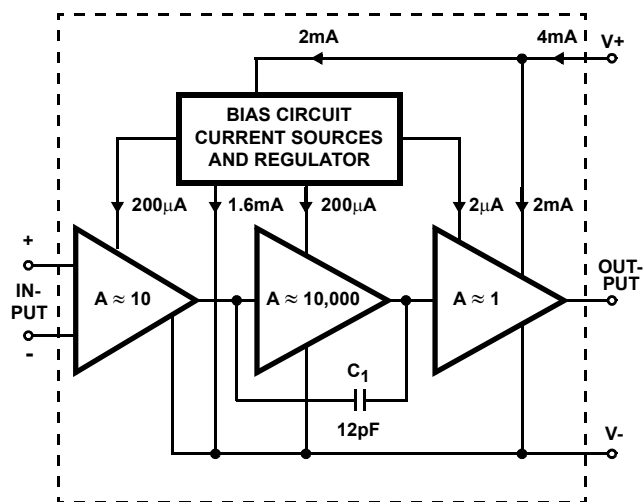
Ordering Information

PART NUMBER	TEMP. RANGE (°C)	PACKAGE	PKG. DWG. #
CA3240AE	-40 to 85	8 Ld PDIP	E8.3
CA3240AEZ (See Note)	-40 to 85	8 Ld PDIP (Pb-free)	E8.3
CA3240E	-40 to 85	8 Ld PDIP	E8.3
CA3240EZ (See Note)	-40 to 85	8 Ld PDIP (Pb-free)	E8.3

Pb-free PDIPs can be used for through hole wave solder processing only. They are not intended for use in Reflow solder processing applications.

NOTE: Intersil Pb-free products employ special Pb-free material sets; molding compounds/die attach materials and 100% matte tin plate termination finish, which are RoHS compliant and compatible with both SnPb and Pb-free soldering operations. Intersil Pb-free products are MSL classified at Pb-free peak reflow temperatures that meet or exceed the Pb-free requirements of IPC/JEDEC J STD-020.

Functional Diagram



Features

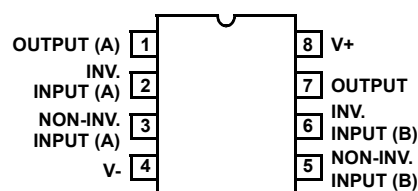
- Dual Version of CA3140
- Internally Compensated
- MOSFET Input Stage
 - Very High Input Impedance (Z_{IN}) 1.5TΩ (Typ)
 - Very Low Input Current (I_I) 10pA (Typ) at ±15V
 - Wide Common-Mode Input Voltage Range (V_{ICR}): Can Be Swung 0.5V Below Negative Supply Voltage Rail
- Directly Replaces Industry Type 741 in Most Applications
- Pb-Free Available (RoHS Compliant)

Applications

- Ground Referenced Single Amplifiers in Automobile and Portable Instrumentation
- Sample and Hold Amplifiers
- Long Duration Timers/Multivibrators (Microseconds-Minutes-Hours)
- Photocurrent Instrumentation
- Intrusion Alarm System
- Comparators
- Instrumentation Amplifiers
- Active Filters
- Function Generators
- Power Supplies

Pinout

CA3240, CA3240A (PDIP)
TOP VIEW



Absolute Maximum Ratings

Supply Voltage (Between V+ and V-)	36V
Differential Input Voltage	8V
Input Voltage	(V+ +8V) to (V- -0.5V)
Input Current	1mA
Output Short Circuit Duration (Note 1)	Indefinite

Operating Conditions

Temperature Range	-40°C to 85°C
Voltage Range	4V to 36V or ±2V to ±18V

CAUTION: Stresses above those listed in "Absolute Maximum Ratings" may cause permanent damage to the device. This is a stress only rating and operation of the device at these or any other conditions above those indicated in the operational sections of this specification is not implied.

NOTES:

- Short circuit may be applied to ground or to either supply. Temperatures and/or supply voltages must be limited to keep dissipation within maximum rating.
- θ_{JA} is measured with the component mounted on an evaluation PC board in free air.

Thermal Information

Thermal Resistance (Typical, Note 2)	θ_{JA} (°C/W)
8 Lead PDIP Package*	100
Maximum Junction Temperature (Plastic Package)	150°C
Maximum Storage Temperature Range	-65°C to 150°C
Maximum Lead Temperature (Soldering 10s)	300°C

*Pb-free PDIPs can be used for through hole wave solder processing only. They are not intended for use in Reflow solder processing applications.

Electrical Specifications For Equipment Design, $V_{SUPPLY} = \pm 15V$, $T_A = 25^\circ C$, Unless Otherwise Specified

PARAMETER	SYMBOL	CA3240			CA3240A			UNITS
		MIN	TYP	MAX	MIN	TYP	MAX	
Input Offset Voltage	V_{IO}	-	5	15	-	2	5	mV
Input Offset Current	I_{IO}	-	0.5	30	-	0.5	20	pA
Input Current	I_I	-	10	50	-	10	40	pA
Large-Signal Voltage Gain (See Figures 12, 27) (Note 3)	A_{OL}	20	100	-	20	100	-	kV/V
		86	100	-	86	100	-	dB
Common Mode Rejection Ratio (See Figure 17)	CMRR	-	32	320	-	32	320	$\mu V/V$
		70	90	-	70	90	-	dB
Common Mode Input Voltage Range (See Figure 24)	V_{ICR}	-15	-15.5 to +12.5	11	-15	-15.5 to +12.5	12	V
Power Supply Rejection Ratio (See Figure 19)	PSRR ($\Delta V_{IO}/\Delta V_{\pm}$)	-	100	150	-	100	150	$\mu V/V$
		76	80	-	76	80	-	dB
Maximum Output Voltage (Note 4) (See Figures 23, 24)	V_{OM+}	12	13	-	12	13	-	V
	V_{OM-}	-14	-14.4	-	-14	-14.4	-	V
Maximum Output Voltage (Note 5)	V_{OM-}	0.4	0.13	-	0.4	0.13	-	V
Total Supply Current (See Figure 15) For Both Amps	$I+$	-	8	12	-	8	12	mA
Total Device Dissipation	P_D	-	240	360	-	240	360	mW

NOTES:

- At $V_O = 26V_{P-P}$, +12V, -14V and $R_L = 2k\Omega$.
- At $R_L = 2k\Omega$.
- At $V+ = 5V$, $V- = GND$, $I_{SINK} = 200\mu A$.

Electrical Specifications For Equipment Design, $V_{SUPPLY} = \pm 15V$, $T_A = 25^\circ C$, Unless Otherwise Specified

PARAMETER	SYMBOL	TEST CONDITIONS	TYPICAL VALUES		UNITS
			CA3240A	CA3240	
Input Resistance	R_I		1.5	1.5	$T\Omega$
Input Capacitance	C_I		4	4	pF
Output Resistance	R_O		60	60	Ω
Equivalent Wideband Input Noise Voltage (See Figure 2)	e_N	BW = 140kHz, $R_S = 1M\Omega$	48	48	μV

Electrical Specifications For Equipment Design, $V_{\text{SUPPLY}} = \pm 15\text{V}$, $T_A = 25^\circ\text{C}$, Unless Otherwise Specified (Continued)

PARAMETER	SYMBOL	TEST CONDITIONS	TYPICAL VALUES		UNITS	
			CA3240A	CA3240		
Equivalent Input Noise Voltage (See Figure 18)	e_N	$f = 1\text{kHz}$, $R_S = 100\Omega$	40	40	$\text{nV}/\sqrt{\text{Hz}}$	
		$f = 10\text{kHz}$, $R_S = 100\Omega$	12	12	$\text{nV}/\sqrt{\text{Hz}}$	
Short-Circuit Current to Opposite Supply	I_{OM^+}	Source	40	40	mA	
	I_{OM^-}	Sink	11	11	mA	
Gain Bandwidth Product (See Figures 13, 27)	f_T		4.5	4.5	MHz	
Slew Rate (See Figure 14)	SR		9	9	$\text{V}/\mu\text{s}$	
Transient Response (See Figure 1)	t_r	$R_L = 2\text{k}\Omega$, $C_L = 100\text{pF}$	Rise Time	0.08	0.08	μs
	OS	$R_L = 2\text{k}\Omega$, $C_L = 100\text{pF}$	Overshoot	10	10	%
Settling Time at $10V_{\text{P-P}}$ (See Figure 25)	t_S	$A_V = +1$, $R_L = 2\text{k}\Omega$, $C_L = 100\text{pF}$, Voltage Follower	To 1mV	4.5	4.5	μs
			To 10mV	1.4	1.4	μs
Crosstalk (See Figure 22)		$f = 1\text{kHz}$		120	120	dB

Electrical Specifications For Equipment Design, at $V_{\text{SUPPLY}} = \pm 15\text{V}$, $T_A = -40$ to 85°C , Unless Otherwise Specified

PARAMETER	SYMBOL	TYPICAL VALUES		UNITS
		CA3240A	CA3240	
Input Offset Voltage	$ V_{\text{IO}} $	3	10	mV
Input Offset Current (Note 8)	$ I_{\text{IO}} $	32	32	pA
Input Current (Note 8)	I_I	640	640	pA
Large Signal Voltage Gain (See Figures 12, 27), (Note 6)	A_{OL}	63	63	kV/V
		96	96	dB
Common Mode Rejection Ratio (See Figure 17)	CMRR	32	32	$\mu\text{V}/\text{V}$
		90	90	dB
Common Mode Input Voltage Range (See Figure 24)	V_{ICR}	-15 to +12.3	-15 to +12.3	V
Power Supply Rejection Ratio (See Figure 19)	PSRR ($\Delta V_{\text{IO}}/\Delta V_{\pm}$)	150	150	$\mu\text{V}/\text{V}$
		76	76	dB
Maximum Output Voltage (Note 7) (See Figures 23, 24)	V_{OM^+}	12.4	12.4	V
	V_{OM^-}	-14.2	-14.2	V
Supply Current (See Figure 15) Total For Both Amps	I^+	8.4	8.4	mA
Total Device Dissipation	P_D	252	252	mW
Temperature Coefficient of Input Offset Voltage	$\Delta V_{\text{IO}}/\Delta T$	15	15	$\mu\text{V}/^\circ\text{C}$

NOTES:

6. At $V_O = 26V_{\text{P-P}}$, +12V, -14V and $R_L = 2\text{k}\Omega$.
7. At $R_L = 2\text{k}\Omega$.
8. At $T_A = 85^\circ\text{C}$.

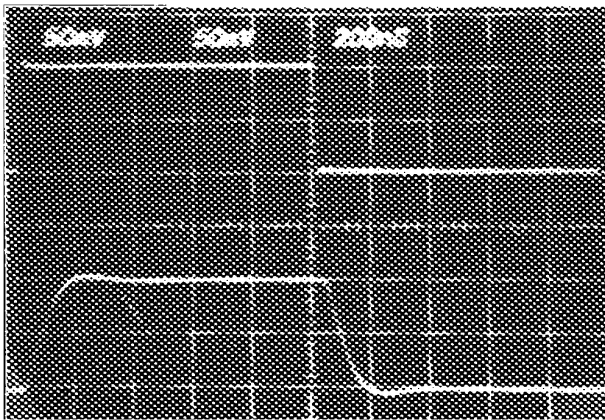
Electrical Specifications For Equipment Design, at $V^+ = 5\text{V}$, $V^- = 0\text{V}$, $T_A = 25^\circ\text{C}$, Unless Otherwise Specified

PARAMETER	SYMBOL	TYPICAL VALUES		UNITS
		CA3240A	CA3240	
Input Offset Voltage	$ V_{\text{IO}} $	2	5	mV
Input Offset Current	$ I_{\text{IO}} $	0.1	0.1	pA
Input Current	I_I	2	2	pA
Input Resistance	R_{IN}	1	1	$\text{T}\Omega$
Large Signal Voltage Gain (See Figures 12, 27)	A_{OL}	100	100	kV/V
		100	100	dB

Electrical Specifications For Equipment Design, at $V_+ = 5V$, $V_- = 0V$, $T_A = 25^\circ C$, Unless Otherwise Specified (Continued)

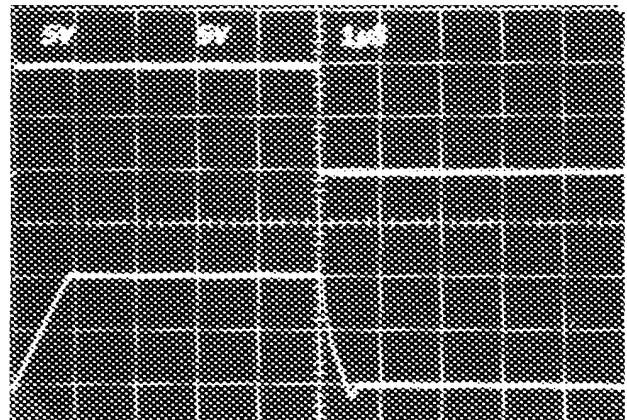
PARAMETER	SYMBOL	TYPICAL VALUES		UNITS	
		CA3240A	CA3240		
Common-Mode Rejection Ratio	CMRR	32	32	$\mu V/V$	
		90	90	dB	
Common-Mode Input Voltage Range (See Figure 24)	V_{ICR}	-0.5	-0.5	V	
		2.6	2.6	V	
Power Supply Rejection Ratio	PSRR	31.6	31.6	$\mu V/V$	
		90	90	dB	
Maximum Output Voltage (See Figures 23, 24)	V_{OM+}	3	3	V	
	V_{OM-}	0.3	0.3	V	
Maximum Output Current	Source	I_{OM+}	20	20	mA
	Sink	I_{OM-}	1	1	mA
Slew Rate (See Figure 14)	SR	7	7	$V/\mu s$	
Gain Bandwidth Product (See Figure 13)	f_T	4.5	4.5	MHz	
Supply Current (See Figure 15)	I_+	4	4	mA	
Device Dissipation	P_D	20	20	mW	

Test Circuits and Waveforms



50mV/Div., 200ns/Div.
Top Trace: Input, Bottom Trace: Output

FIGURE 1A. SMALL SIGNAL RESPONSE



5V/Div., 1μs/Div.
Top Trace: Input, Bottom Trace: Output

FIGURE 1B. LARGE SIGNAL RESPONSE

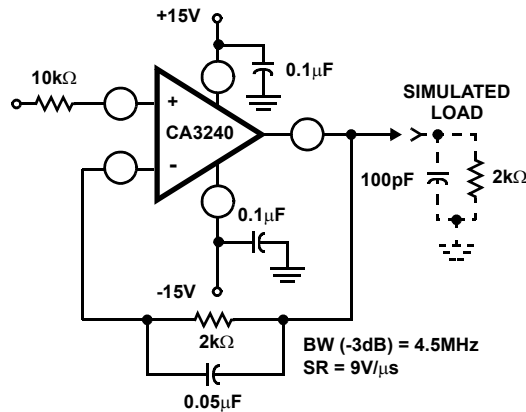


FIGURE 1C. TEST CIRCUIT

FIGURE 1. SPLIT-SUPPLY VOLTAGE FOLLOWER TEST CIRCUIT AND ASSOCIATED WAVEFORMS

Test Circuits and Waveforms (Continued)

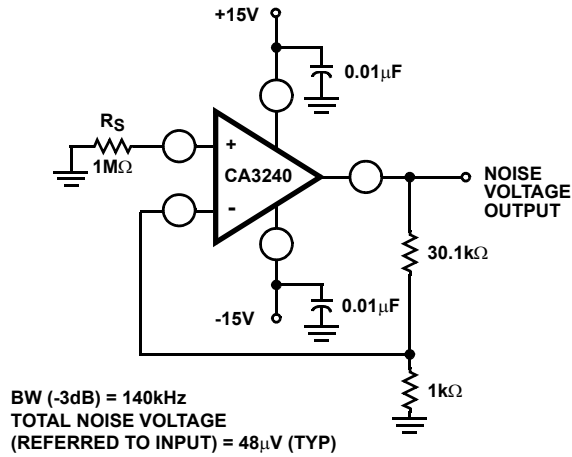
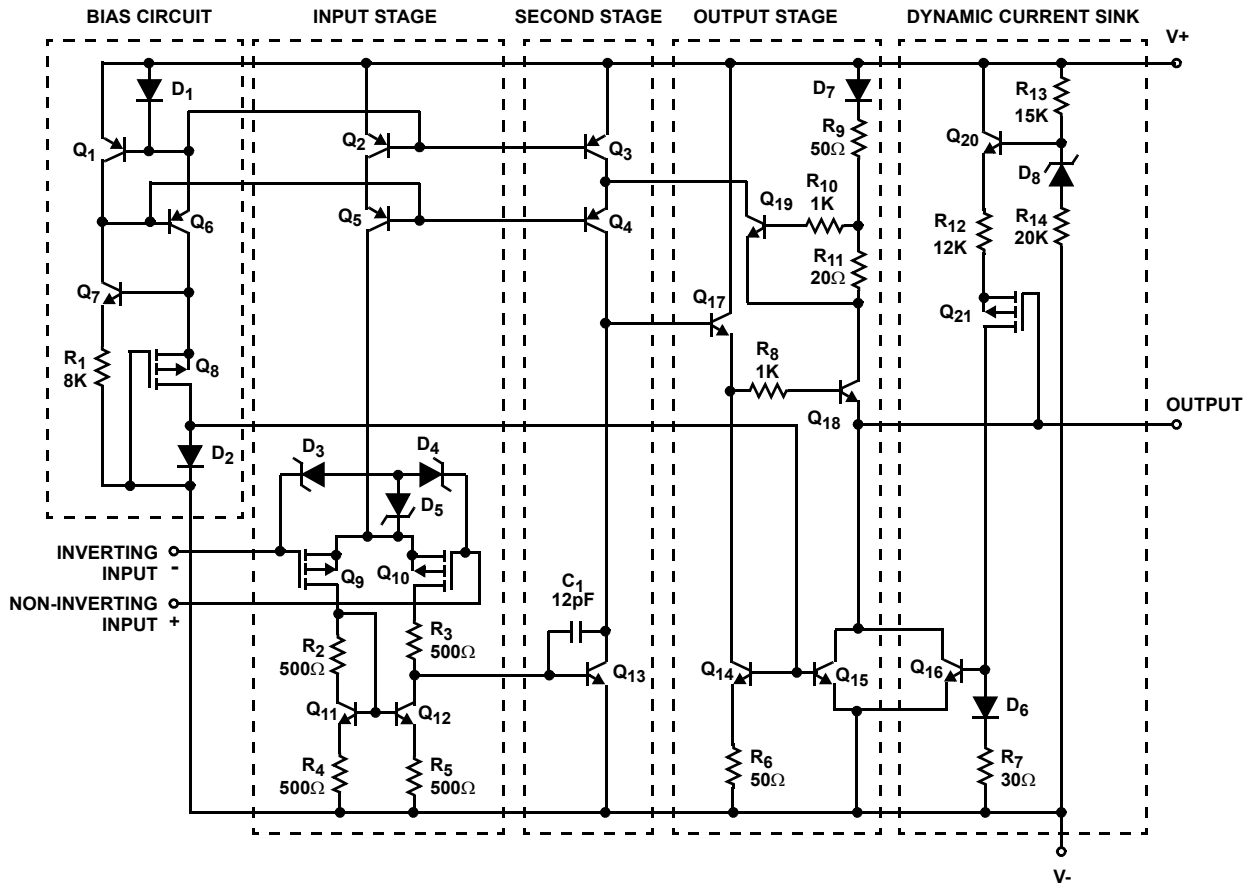


FIGURE 2. TEST CIRCUIT AMPLIFIER (30dB GAIN) USED FOR WIDEBAND NOISE MEASUREMENT

Schematic Diagram (One Amplifier of Two)



NOTES:

9. All resistance values are in ohms.

Application Information

Circuit Description

The schematic diagram details one amplifier section of the CA3240. It consists of a differential amplifier stage using PMOS transistors (Q_9 and Q_{10}) with gate-to-source protection against static discharge damage provided by zener diodes D_3 , D_4 , and D_5 . Constant current bias is applied to the differential amplifier from transistors Q_2 and Q_5 connected as a constant current source. This assures a high common-mode rejection ratio. The output of the differential amplifier is coupled to the base of gain stage transistor Q_{13} by means of an NPN current mirror that supplies the required differential-to-single-ended conversion.

The gain stage transistor Q_{13} has a high impedance active load (Q_3 and Q_4) to provide maximum open-loop gain. The collector of Q_{13} directly drives the base of the compound emitter-follower output stage. Pull-down for the output stage is provided by two independent circuits: (1) constant-current-connected transistors Q_{14} and Q_{15} and (2) dynamic current-sink transistor Q_{16} and its associated circuitry. *The level of pull-down current is constant at about 1mA for Q_{15} and varies from 0 to 18mA for Q_{16} depending on the magnitude of the voltage between the output terminal and V_+ .* The dynamic current sink becomes active whenever the output terminal is more negative than V_+ by about 15V. When this condition exists, transistors Q_{21} and Q_{16} are turned on causing Q_{16} to sink current from the output terminal to V_- . This current always flows when the output is in the linear region, either from the load resistor or from the emitter of Q_{18} if no load resistor is present. The purpose of this dynamic sink is to permit the output to go within 0.2V ($V_{CE(sat)}$) of V_- with a 2k Ω load to ground. *When the load is returned to V_+ , it may be necessary to supplement the 1mA of current from Q_{15} in order to turn on the dynamic current sink (Q_{16}).* This may be accomplished by placing a resistor (Approx. 2k Ω) between the output and V_- .

Output Circuit Considerations

Figure 23 shows output current-sinking capabilities of the CA3240 at various supply voltages. Output voltage swing to the negative supply rail permits this device to operate both power transistors and thyristors directly without the need for level-shifting circuitry usually associated with the 741 series of operational amplifiers.

Figure 3 shows some typical configurations. Note that a series resistor, R_L , is used in both cases to limit the drive available to the driven device. Moreover, it is recommended that a series diode and shunt diode be used at the thyristor input to prevent large negative transient surges that can appear at the gate of thyristors, from damaging the integrated circuit.

Input Circuit Considerations

As indicated by the typical VICR, this device will accept inputs as low as 0.5V below V_- . However, a series current-limiting resistor is recommended to limit the maximum input terminal current to less than 1mA to prevent damage to the input protection circuitry.

Moreover, some current-limiting resistance should be provided between the inverting input and the output when the CA3240 is used as a unity-gain voltage follower. This resistance prevents the possibility of extremely large input-signal transients from forcing a signal through the input-protection network and directly driving the internal constant-current source which could result in positive feedback via the output terminal. A 3.9k Ω resistor is sufficient.

The typical input current is on the order of 10pA when the inputs are centered at nominal device dissipation. As the output supplies load current, device dissipation will increase, raising the chip temperature and resulting in increased input current. Figure 4 shows typical input-terminal current versus ambient temperature for the CA3240.

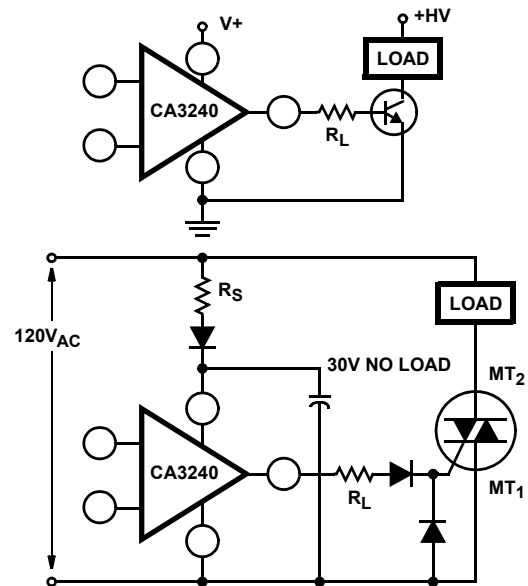


FIGURE 3. METHODS OF UTILIZING THE $V_{CE(sat)}$ SINKING CURRENT CAPABILITY OF THE CA3240 SERIES

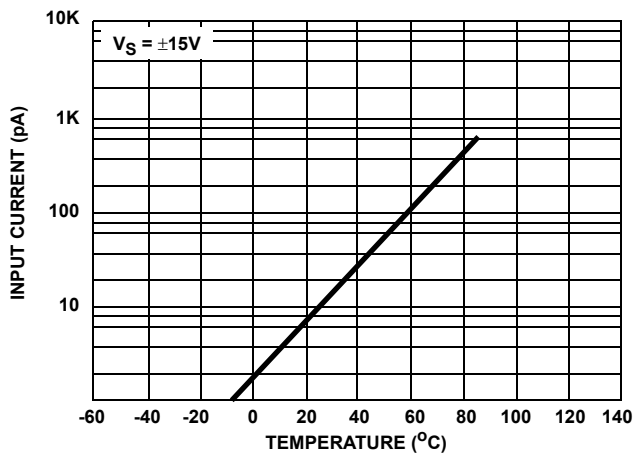


FIGURE 4. INPUT CURRENT vs TEMPERATURE

It is well known that MOSFET devices can exhibit slight changes in characteristics (for example, small changes in input offset voltage) due to the application of large differential input voltages that are sustained over long periods at elevated temperatures.

Both applied voltage and temperature accelerate these changes. The process is reversible and offset voltage shifts of the opposite polarity reverse the offset. In typical linear applications, where the differential voltage is small and symmetrical, these incremental changes are of about the same magnitude as those encountered in an operational amplifier employing a bipolar transistor input stage.

Typical Applications

On/Off Touch Switch

The on/off touch switch shown in Figure 5 uses the CA3240E to sense small currents flowing between two contact points on a touch plate consisting of a PC board metallization "grid". When the "on" plate is touched, current flows between the two halves of the grid causing a positive shift in the output voltage (Terminal 7) of the CA3240E. These positive transitions are fed into the CA3059, which is used as a latching circuit and zero-crossing TRIAC driver. When a positive pulse occurs at Terminal 7 of the CA3240E, the TRIAC is turned on and held on by the CA3059 and its associated positive feedback circuitry (51k Ω resistor and 36k Ω /42k Ω voltage divider). When the positive pulse occurs at Terminal 1 (CA3240E), the TRIAC is turned off and held off in a similar manner. Note that power for the CA3240E is supplied by the CA3059 internal power supply.

The advantage of using the CA3240E in this circuit is that it can sense the small currents associated with skin conduction while allowing sufficiently high circuit impedance to provide protection against electrical shock.

Dual Level Detector (Window Comparator)

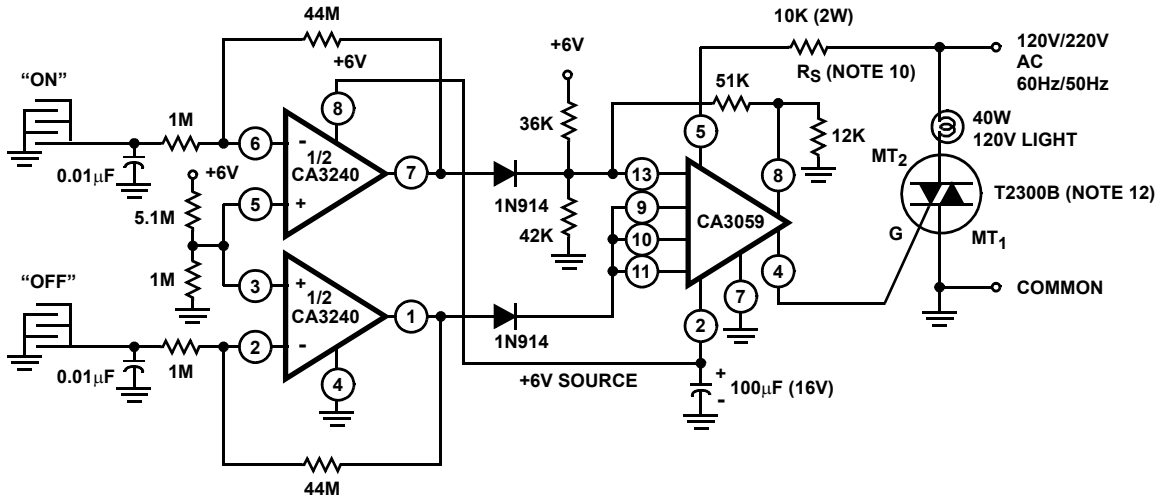
Figure 6 illustrates a simple dual liquid level detector using the CA3240E as the sensing amplifier. This circuit operates on the principle that most liquids contain enough ions in solution to sustain a small amount of current flow between two electrodes submerged in the liquid. The current, induced by an 0.5V potential applied between two halves of a PC board grid, is converted to a voltage level by the CA3240E in a circuit similar to that of the on/off touch switch shown in Figure 5. The changes in voltage for both the upper and lower level sensors are processed by the CA3140 to activate an LED whenever the liquid level is above the upper sensor or below the lower sensor.

Constant-Voltage/Constant-Current Power Supply

The constant-voltage/constant-current power supply shown in Figure 7 uses the CA3240E as a voltage-error and current-sensing amplifier. The CA3240E is ideal for this application because its input common-mode voltage range includes ground, allowing the supply to adjust from 20mV to 25V without requiring a negative supply voltage. Also, the ground reference capability of the CA3240E allows it to sense the voltage across the 1 Ω current-sensing resistor in the negative output lead of the power supply. The CA3086 transistor array functions as a reference for both constant-voltage and constant-current limiting. The 2N6385 power Darlington is used as the pass element and may be required to dissipate as much as 40W. Figure 8 shows the transient response of the supply during a 100mA to 1A load transition.

Precision Differential Amplifier

Figure 9 shows the CA3240E in the classical precision differential amplifier circuit. The CA3240E is ideally suited for biomedical applications because of its extremely high input impedance. To insure patient safety, an extremely high electrode series resistance is required to limit any current that might result in patient discomfort in the event of a fault condition. In this case, 10M Ω resistors have been used to limit the current to less than 2 μ A without affecting the performance of the circuit. Figure 10 shows a typical electrocardiogram waveform obtained with this circuit.



NOTE:

- 10. At 220V operation, TRIAC should be T2300D, $R_S = 18K, 5W$.

FIGURE 5. ON/OFF TOUCH SWITCH

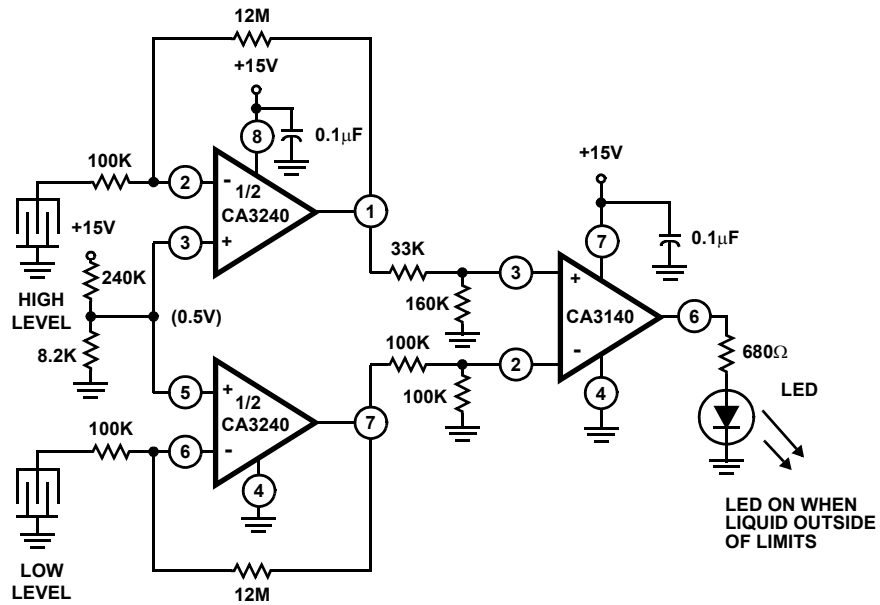


FIGURE 6. DUAL LEVEL DETECTOR

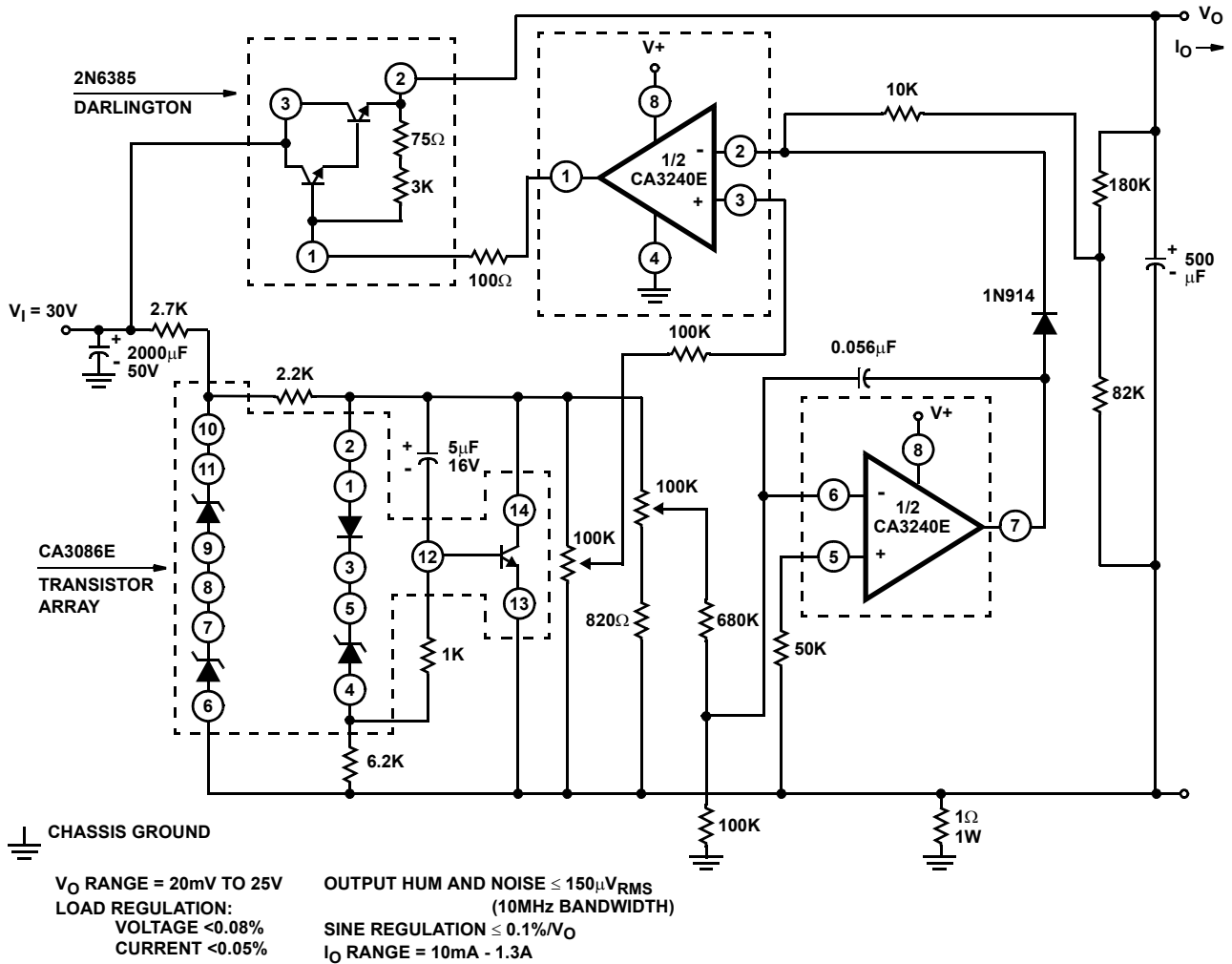
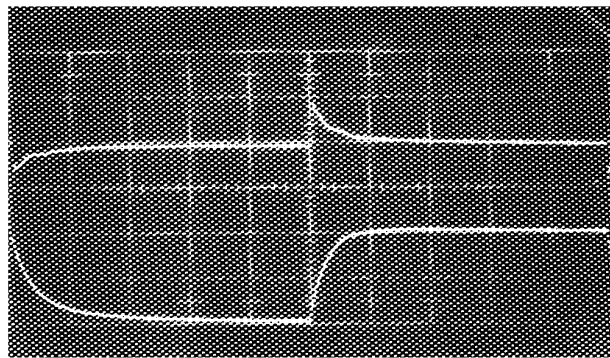


FIGURE 7. CONSTANT-VOLTAGE/CONSTANT-CURRENT POWER SUPPLY



Top Trace: Output Voltage;
500mV/Div., 5µs/Div.

Bottom Trace: Collector Of Load Switching Transistor
Load = 100mA to 1A; 5V/Div., 5µs/Div.

FIGURE 8. TRANSIENT RESPONSE

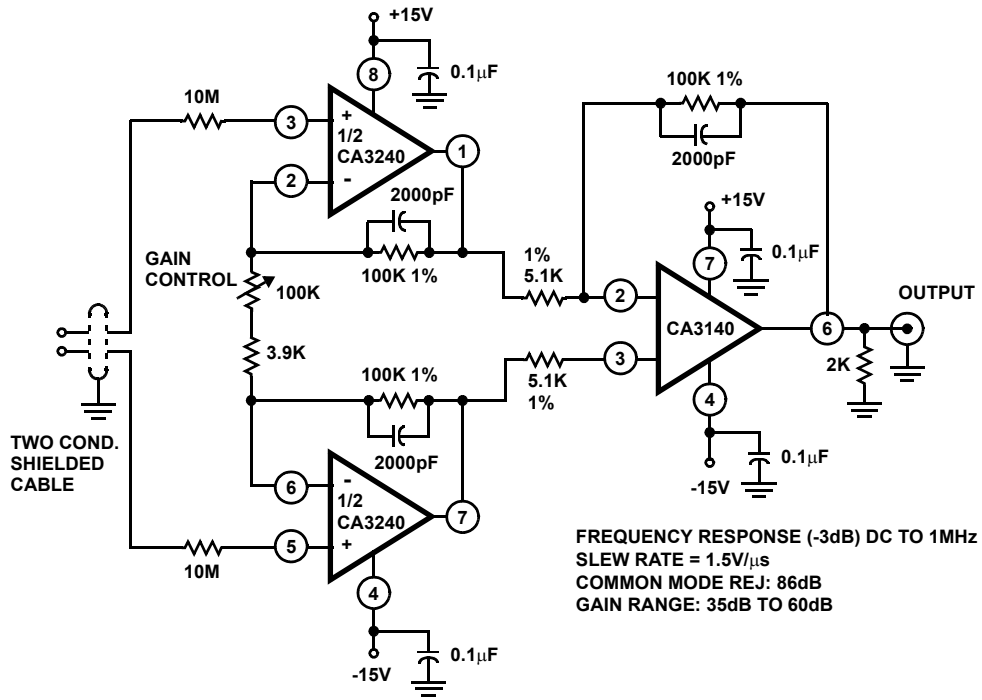
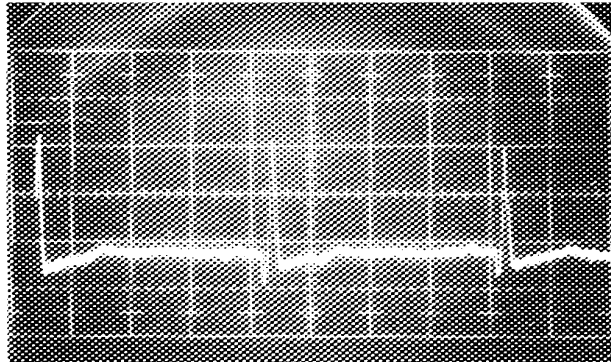


FIGURE 9. PRECISION DIFFERENTIAL AMPLIFIER



Vertical: 1.0mV/Div.
 Amplifier Gain = 100X
 Scope Sensitivity = 0.1V/Div.
 Horizontal: >0.2s/Div. (Uncal)

FIGURE 10. TYPICAL ELECTROCARDIOGRAM WAVEFORM

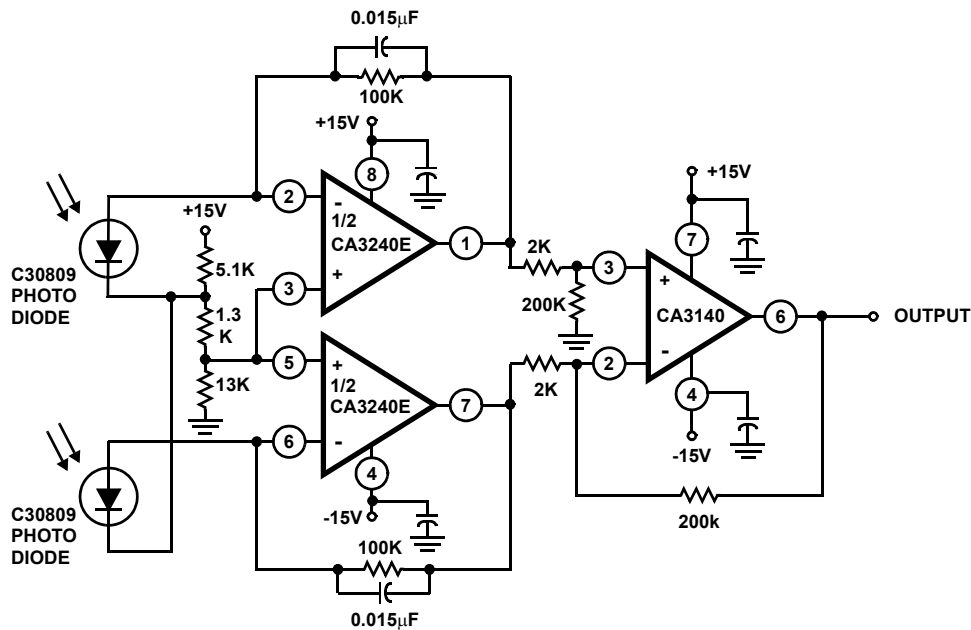


FIGURE 11. DIFFERENTIAL LIGHT DETECTOR

Differential Light Detector

In the circuit shown in Figure 11, the CA3240E converts the current from two photo diodes to voltage, and applies 1V of reverse bias to the diodes. The voltages from the CA3240E outputs are subtracted in the second stage (CA3140) so that only the difference is amplified. In this manner, the circuit can be used over a wide range of ambient light conditions without circuit component adjustment. Also, when used with a light source, the circuit will not be sensitive to changes in light level as the source ages.

Typical Performance Curves

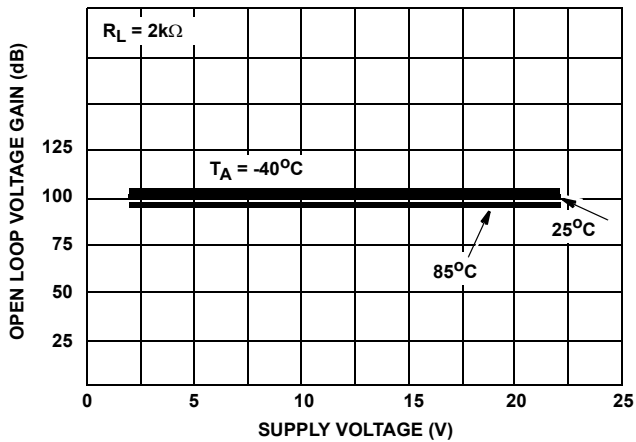


FIGURE 12. OPEN LOOP VOLTAGE GAIN vs SUPPLY VOLTAGE

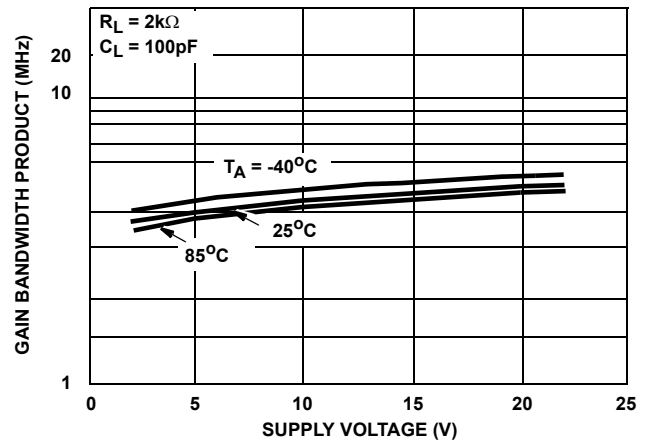


FIGURE 13. GAIN BANDWIDTH PRODUCT vs SUPPLY VOLTAGE

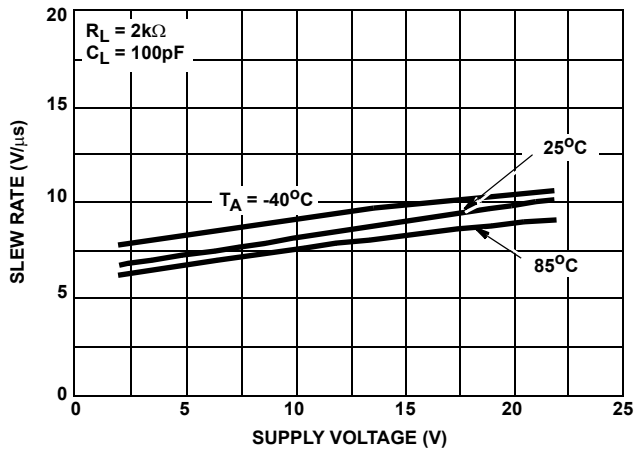


FIGURE 14. SLEW RATE vs SUPPLY VOLTAGE

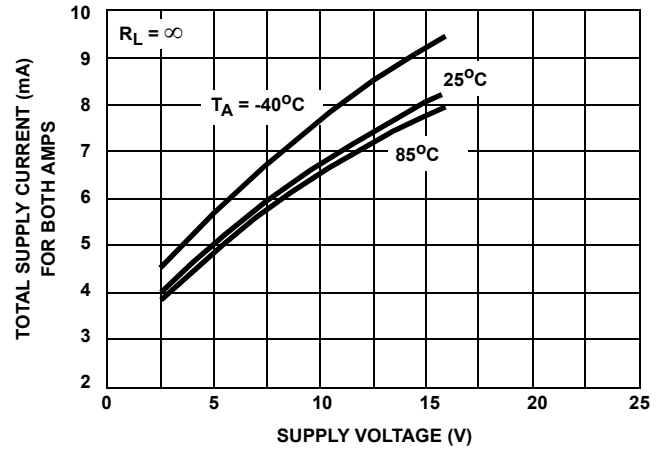


FIGURE 15. QUIESCENT SUPPLY CURRENT vs SUPPLY VOLTAGE

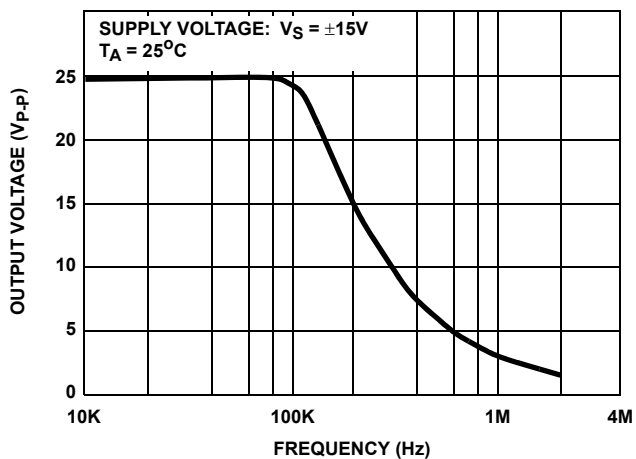


FIGURE 16. MAXIMUM OUTPUT VOLTAGE SWING vs FREQUENCY

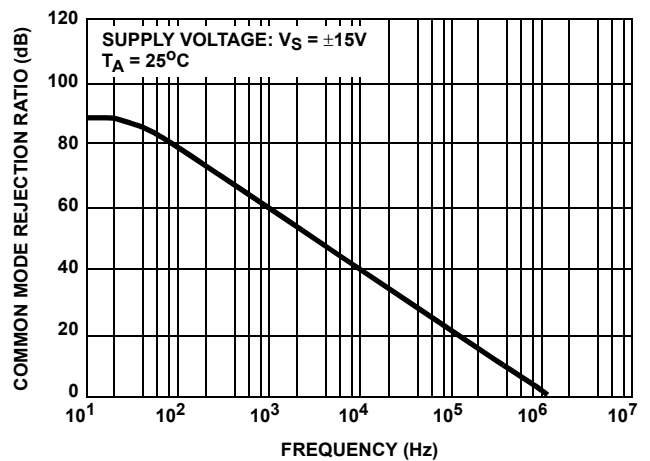


FIGURE 17. COMMON MODE REJECTION RATIO vs FREQUENCY

Typical Performance Curves (Continued)

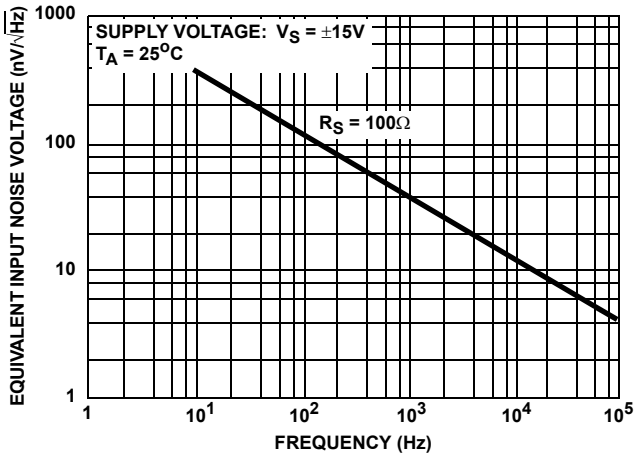


FIGURE 18. EQUIVALENT INPUT NOISE VOLTAGE vs FREQUENCY

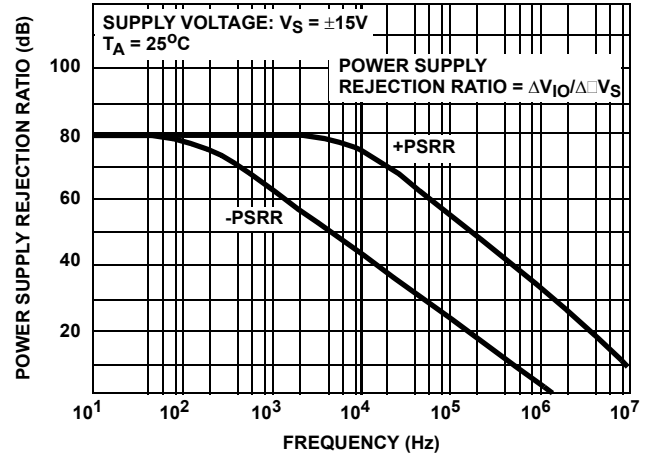


FIGURE 19. POWER SUPPLY REJECTION RATIO vs FREQUENCY

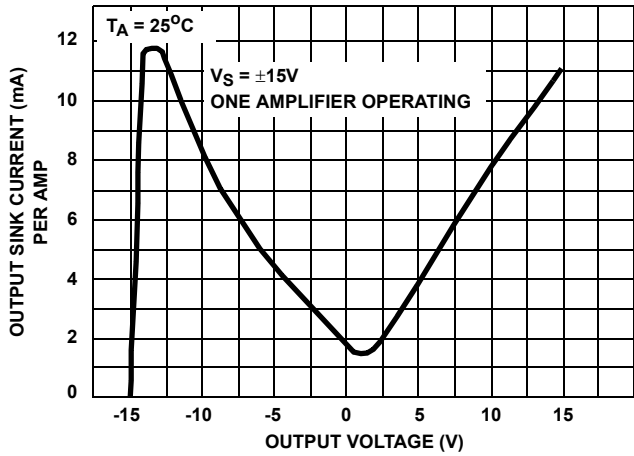


FIGURE 20. OUTPUT SINK CURRENT vs OUTPUT VOLTAGE

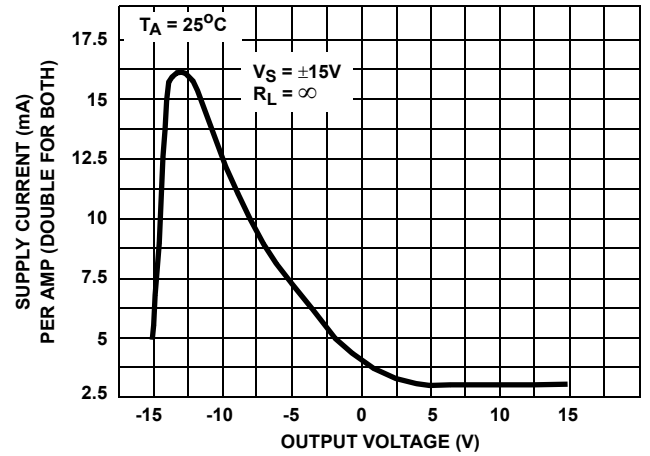


FIGURE 21. SUPPLY CURRENT vs OUTPUT VOLTAGE

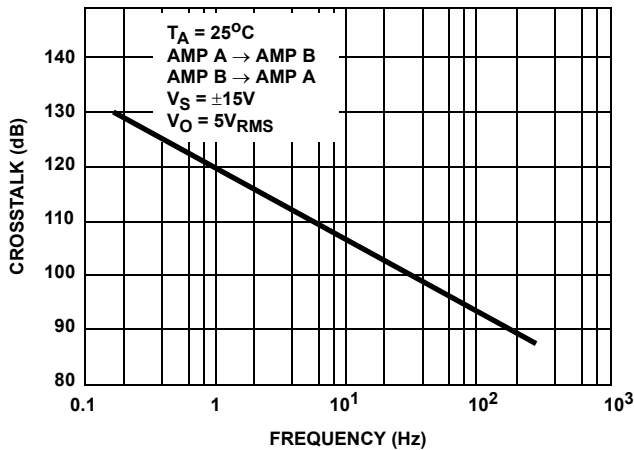


FIGURE 22. CROSSTALK vs FREQUENCY

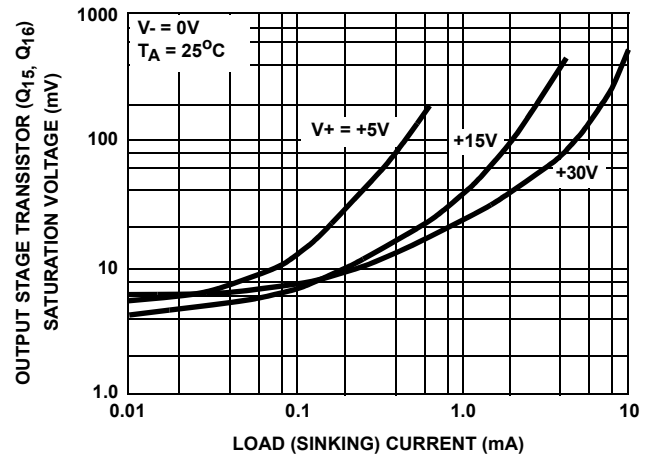


FIGURE 23. VOLTAGE ACROSS OUTPUT TRANSISTORS Q₁₅ AND Q₁₆ vs LOAD CURRENT

Typical Performance Curves (Continued)

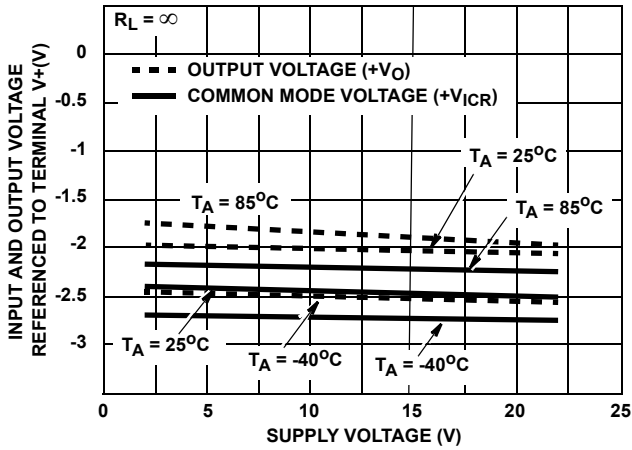


FIGURE 24A.

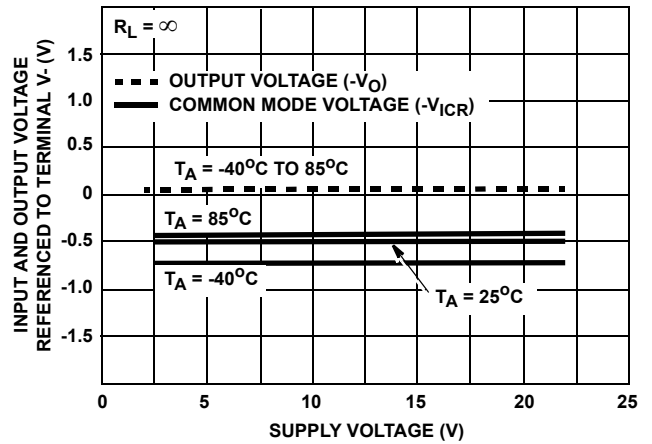


FIGURE 24B.

FIGURE 24. OUTPUT VOLTAGE SWING CAPABILITY AND COMMON MODE INPUT VOLTAGE RANGE vs SUPPLY VOLTAGE

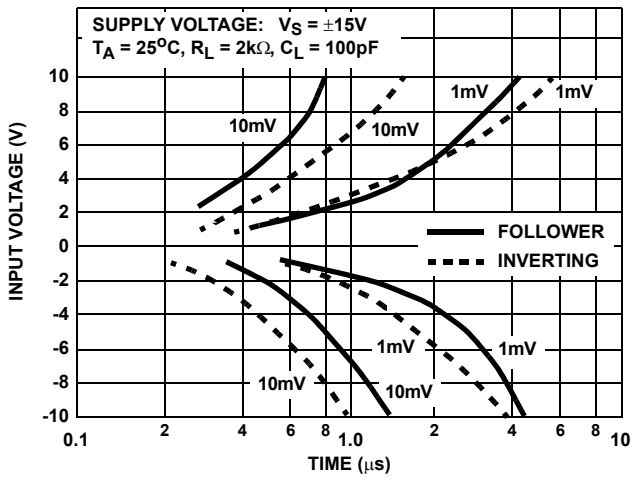


FIGURE 25A. SETTLING TIME vs INPUT VOLTAGE

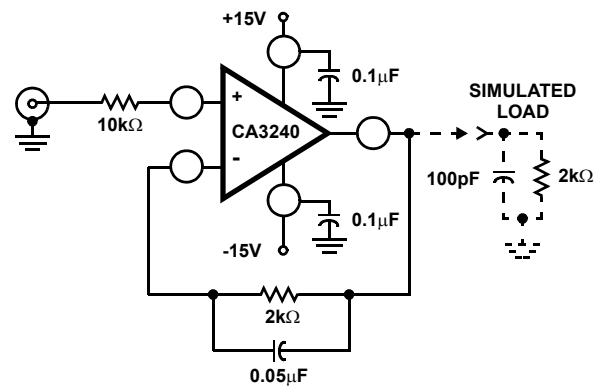


FIGURE 25B. TEST CIRCUIT (FOLLOWER)

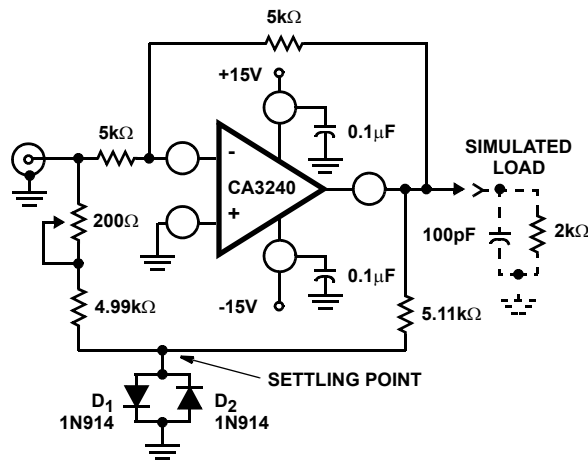


FIGURE 25C. TEST CIRCUIT (INVERTING)

FIGURE 25. INPUT VOLTAGE vs SETTLING TIME

Typical Performance Curves (Continued)

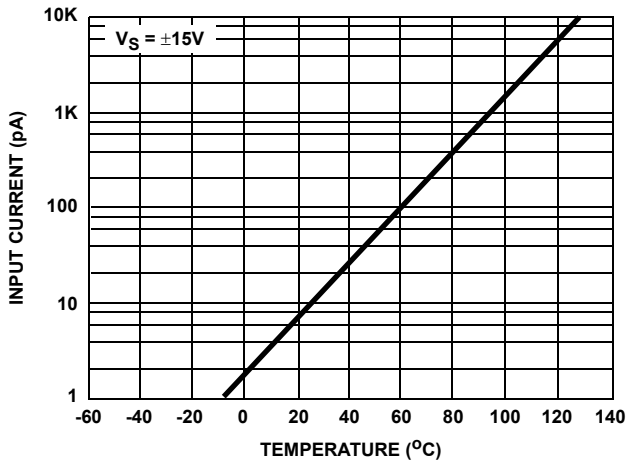


FIGURE 26. INPUT CURRENT vs TEMPERATURE

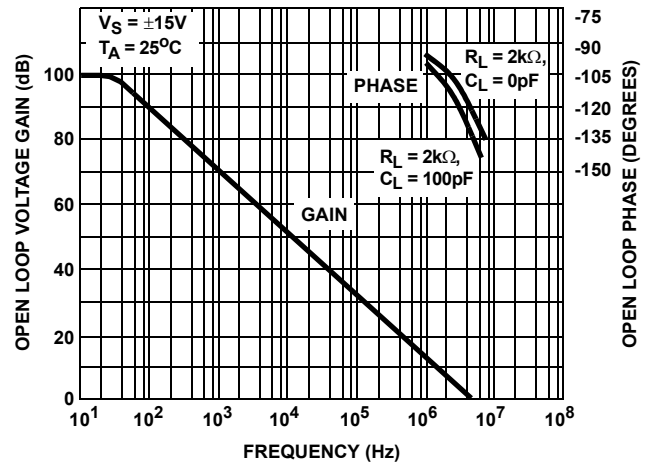


FIGURE 27. OPEN LOOP VOLTAGE GAIN AND PHASE vs FREQUENCY

© Copyright Intersil Americas LLC 2002-2005. All Rights Reserved.
 All trademarks and registered trademarks are the property of their respective owners.

For additional products, see www.intersil.com/en/products.html

Intersil products are manufactured, assembled and tested utilizing ISO9001 quality systems as noted in the quality certifications found at www.intersil.com/en/support/qualandreliability.html

Intersil products are sold by description only. Intersil may modify the circuit design and/or specifications of products at any time without notice, provided that such modification does not, in Intersil's sole judgment, affect the form, fit or function of the product. Accordingly, the reader is cautioned to verify that datasheets are current before placing orders. Information furnished by Intersil is believed to be accurate and reliable. However, no responsibility is assumed by Intersil or its subsidiaries for its use; nor for any infringements of patents or other rights of third parties which may result from its use. No license is granted by implication or otherwise under any patent or patent rights of Intersil or its subsidiaries.

For information regarding Intersil Corporation and its products, see www.intersil.com

Looking for pricing, stock, or lifecycle information?

Click below to explore more details on WIN SOURCE:

 [View CA3240EZ on WIN SOURCE](#)

 [Intersil Information](#)

Optimize Your Supply Chain with WIN SOURCE Solutions

-  Global Sourcing Solution
-  Obsolete Management
-  Cost Control Management
-  Shortage Management
-  Alternative Solution
-  Excess Inventory Management