



**THE DATASHEET OF
SLLP40-1400P88**

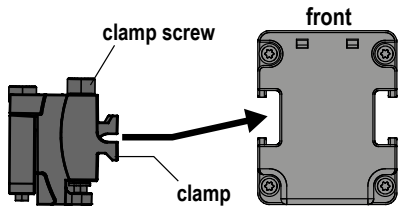


EZ-SCREEN LS Side Brackets

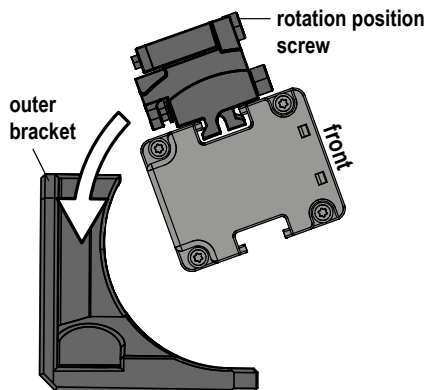
Supplement

Guide to mounting the EZS LS side brackets. Refer to the EZ-SCREEN LS installation manual (p/n 179480) for complete mounting, alignment, and installation instructions, including dimensional information.

- 1** Adjust clamp screw to loosen or tighten clamp.

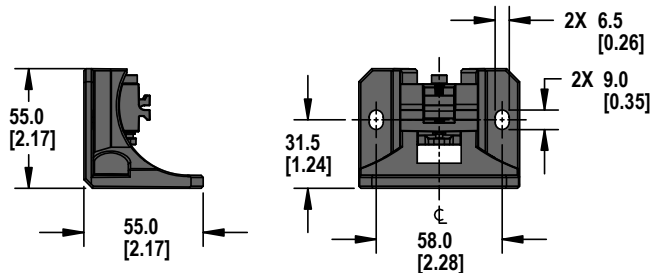
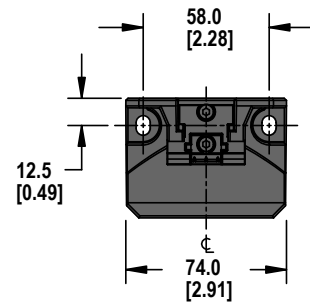
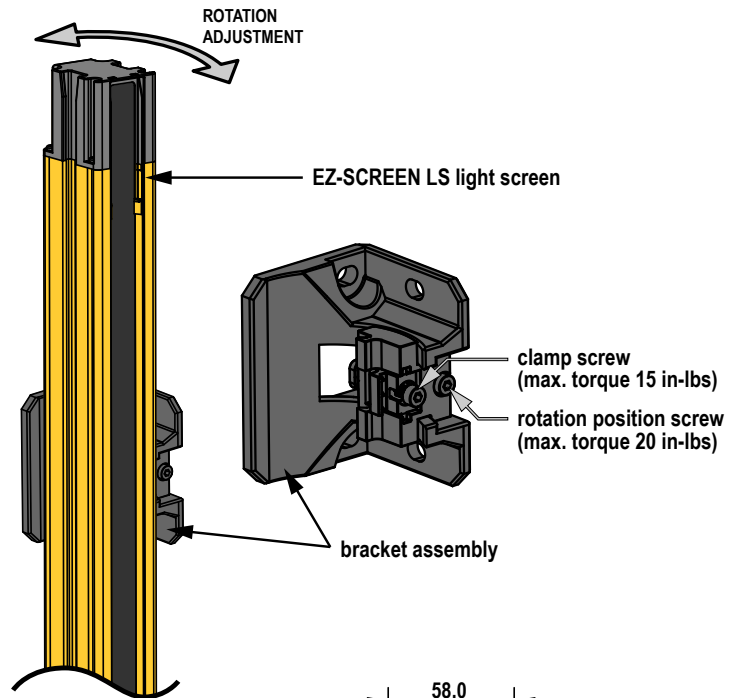
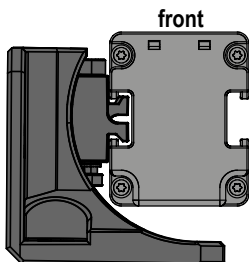


- 2** Slide inner bracket assembly into outer bracket groove.



(Depending on your configuration, it may be helpful to mount the outer bracket to the mount surface first before Step 2 process)

- 3** With the light screen aligned, tighten rotation position screw to complete installation.



Looking for pricing, stock, or lifecycle information?

Click below to explore more details on WIN SOURCE:

- ⊖ [View SLLP40-1400P88 on WIN SOURCE](#)
- ⊖ [Banner Engineering Corporation Information](#)

Optimize Your Supply Chain with WIN SOURCE Solutions

- ✓ Global Sourcing Solution
- ✓ Obsolete Management
- ✓ Cost Control Management
- ✓ Shortage Management
- ✓ Alternative Solution
- ✓ Excess Inventory Management