



# THE DATASHEET OF HE42BU/10



## HIGHLIGHTS

### FEATURES

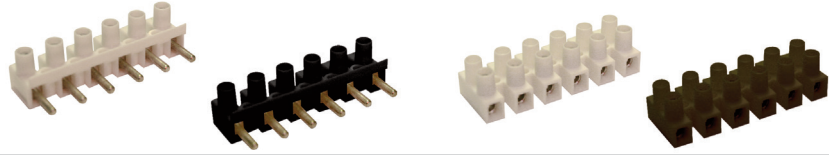
- Plug & Socket
- Cost effective reliable wire-to-wire solution
- Easy to use double-row terminal strips
- Panel mount or free float
- Finger safe metal parts
- Wire protector
- easy to cut to required pole configuration
- Pre cut version in stock
- 300V / 600V up to 63A
- Color: white

### APPLICATIONS

- HVAC
- Appliances
- Equipment
- Power Distribution
- Junction Boxes
- Cost effective alternative to barrier strips

## HE42ST

## HE42BU



### Dimensions & Weight

Pitch Spacing	10 mm
Weight per piece (12 pole)	30.6 g

### Technical Data/Ratings

Approvals		
Wire Size (solid / stranded)	24-10 AWG	2.5-4 mm <sup>2</sup>
Voltage Rating	300 V	400 V
Current Rating	20 A	10 A
Torque	7.0 lb-in	0.4 Nm
Insulation Material	Polyamide 66/6 V0	
Insert Material	Tinned Brass	
Terminal Screw Material	Blue Chromated Steel	

### Installation Instructions

	HE42ST	HE42BU
Wire Stripping Length	7 mm	6 mm
Mounting Hole Diameter	3.0 mm	3.6 mm
Terminal Screw Size	M2.6	M3

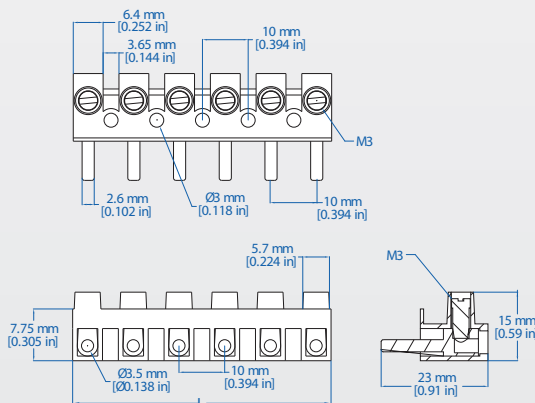
### Terminal Strips

	HE42ST		HE42BU		Length	Std. Pk.
	Cat. No. <input type="checkbox"/>	Cat. No. <input checked="" type="checkbox"/>	Cat. No. <input type="checkbox"/>	Cat. No. <input checked="" type="checkbox"/>		
2 pole	HE42ST/02	HE42ST/02/BK	HE42BU/02	HE42BU/02/BK	16.4 mm	100
3 pole	HE42ST/03	HE42ST/03/BK	HE42BU/03	HE42BU/03/BK	26.4 mm	100
4 pole	HE42ST/04	HE42ST/04/BK	HE42BU/04	HE42BU/04/BK	36.4 mm	100
5 pole	HE42ST/05	HE42ST/05/BK	HE42BU/05	HE42BU/05/BK	46.4 mm	100
6 pole	HE42ST/06	HE42ST/06/BK	HE42BU/06	HE42BU/06/BK	56.4 mm	50
7 pole	HE42ST/07	HE42ST/07/BK	HE42BU/07	HE42BU/07/BK	66.4 mm	50
8 pole	HE42ST/08	HE42ST/08/BK	HE42BU/08	HE42BU/08/BK	76.4 mm	50
9 pole	HE42ST/09	HE42ST/09/BK	HE42BU/09	HE42BU/09/BK	86.4 mm	50
10 pole	HE42ST/10	HE42ST/10/BK	HE42BU/10	HE42BU/10/BK	96.4 mm	50
11 pole	HE42ST/11	HE42ST/11/BK	HE42BU/11	HE42BU/11/BK	106.4 mm	50
12 pole	HE42ST/12	HE42ST/12/BK	HE42BU/12	HE42BU/12/BK	116.4 mm	50

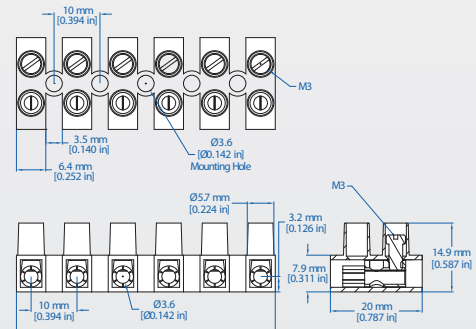
### Accessories

	Cat. No.	Std. Pk.	
External Jumpers	2 pole	HCL10-2	100
	3 pole	HCL10-3	100
	4 pole	HCL10-4	100
	12 pole	HCL10-12	25
Marking Plates	Blank	BS24E	25
	No. 1-12	BS24EM1-12	25
	No. 13-24	BS24EM13-24	25

### HE42ST DIMENSIONS



### HE42BU DIMENSIONS

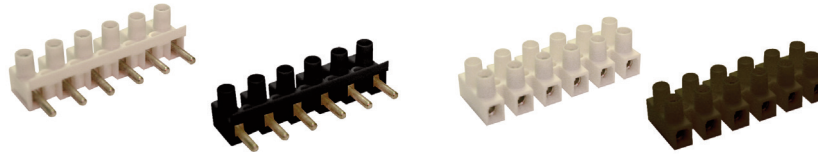


(All dimensions are shown in mm, to convert to inches please divide by 25.4)

PLUGGABLE PANEL MOUNT 600 V - WIRE PROTECTOR

**HE42SST**

**HE42SBU**



**HIGHLIGHTS**

**FEATURES**

- Plug & Socket
- Cost effective reliable wire-to-wire solution
- Easy to use double-row terminal strips
- Panel mount or free float
- Finger safe metal parts
- Wire protector
- easy to cut to required pole configuration
- Pre cut version in stock
- 300V / 600V up to 63A
- Color: white

**APPLICATIONS**

- HVAC
- Appliances
- Equipment
- Power Distribution
- Junction Boxes
- Cost effective alternative to barrier strips

**Dimensions & Weight**

Pitch Spacing	10 mm
Weight per piece (12 pole)	30.6 g

**Technical Data/Ratings**

Approvals		
Wire Size (solid / stranded)	24-10 AWG	2.5-4 mm <sup>2</sup>
Voltage Rating	600 V	500 V
Current Rating	20 A	10 A
Torque	7.0 lb-in	0.4 Nm
Insulation Material	Polyamide 66/6 VO	
Insert Material	Tinned Brass	
Terminal Screw Material	Blue Chromated Steel	

**Installation Instructions**

	HE42SST	HE42SBU
Wire Stripping Length	7 mm	6 mm
Mounting Hole Diameter	3.0 mm	3.6 mm
Terminal Screw Size	M3.5	M4

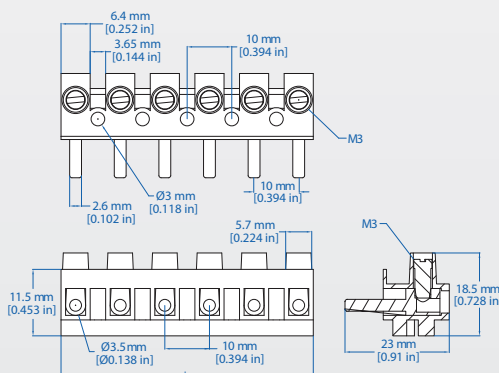
**Terminal Strips**

	HE42SST		HE42SBU		Length	Std. Pk.
	Cat. No. <input type="checkbox"/>	Cat. No. <input checked="" type="checkbox"/>	Cat. No. <input type="checkbox"/>	Cat. No. <input checked="" type="checkbox"/>		
2 pole	HE42SST/02	HE42SST/02/BK	HE42SBU/02	HE42SBU/02/BK	16.4 mm	100
3 pole	HE42SST/03	HE42SST/03/BK	HE42SBU/03	HE42SBU/03/BK	26.4 mm	100
4 pole	HE42SST/04	HE42SST/04/BK	HE42SBU/04	HE42SBU/04/BK	36.4 mm	100
5 pole	HE42SST/05	HE42SST/05/BK	HE42SBU/05	HE42SBU/05/BK	46.4 mm	100
6 pole	HE42SST/06	HE42SST/06/BK	HE42SBU/06	HE42SBU/06/BK	56.4 mm	50
7 pole	HE42SST/07	HE42SST/07/BK	HE42SBU/07	HE42SBU/07/BK	66.4 mm	50
8 pole	HE42SST/08	HE42SST/08/BK	HE42SBU/08	HE42SBU/08/BK	76.4 mm	50
9 pole	HE42SST/09	HE42SST/09/BK	HE42SBU/09	HE42SBU/09/BK	86.4 mm	50
10 pole	HE42SST/10	HE42SST/10/BK	HE42SBU/10	HE42SBU/10/BK	96.4 mm	50
11 pole	HE42SST/11	HE42SST/11/BK	HE42SBU/11	HE42SBU/11/BK	106.4 mm	50
12 pole	HE42SST/12	HE42SST/12/BK	HE42SBU/12	HE42SBU/12/BK	116.4 mm	50

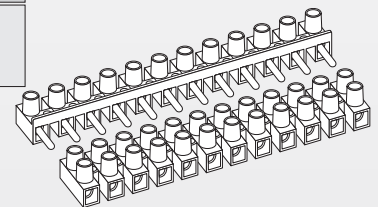
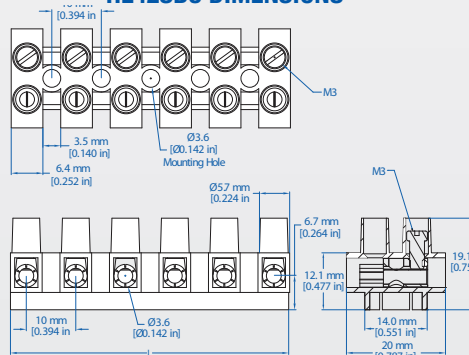
**Accessories**

	Cat. No.	Std. Pk.
External Jumpers	2 pole HCL10-2	100
	3 pole HCL10-3	100
	4 pole HCL10-4	100
	12 pole HCL10-12	25
Marking Plates	Blank BS24E	25
	No. 1-12 BS24EM1-12	25
	No. 13-24 BS24EM13-24	25

**HE42SST DIMENSIONS**





**HE42SBU DIMENSIONS**









(All dimensions are shown in mm, to convert to inches please divide by 25.4)

## Looking for pricing, stock, or lifecycle information?

Click below to explore more details on WIN SOURCE:

-  [View HE42BU/10 on WIN SOURCE](#)
-  [Altech corporation](#) Information

## Optimize Your Supply Chain with WIN SOURCE Solutions

-  Global Sourcing Solution
-  Obsolete Management
-  Cost Control Management
-  Shortage Management
-  Alternative Solution
-  Excess Inventory Management