



**THE DATASHEET OF
C8051F303-GM**



Analog Peripherals

- **8-Bit ADC ('F300/2 only)**
 - Up to 500 ksps
 - Up to 8 external inputs
 - Programmable amplifier gains of 4, 2, 1, & 0.5
 - VREF from external pin or V_{DD}
 - Built-in temperature sensor
 - External conversion start input
- **Comparator**
 - Programmable hysteresis and response time
 - Configurable as interrupt or reset source
 - Low current (<0.5 μ A)

On-chip Debug

- On-chip debug circuitry facilitates full speed, non-intrusive in-system debug (no emulator required)
- Provides breakpoints, single stepping, inspect/modify memory and registers
- Superior performance to emulation systems using ICE-chips, target pods, and sockets
- Complete development kit

Supply Voltage 2.7 to 3.6 V

- Typical operating current: 6.6 mA @ 25 MHz;
14 μ A @ 32 kHz
- Typical stop mode current: 0.1 μ A
- Temperature range: -40 to +85 °C

High Speed 8051 μ C Core

- Pipelined instruction architecture; executes 70% of instructions in 1 or 2 system clocks
- Up to 25 MIPS throughput with 25 MHz clock
- Expanded interrupt handler

Memory

- 256 bytes internal data RAM
- Up to 8 kB ('F300/1/2/3), 4 kB ('F304), or 2 kB ('F305) Flash; 512 bytes are reserved in the 8 kB devices

Digital Peripherals

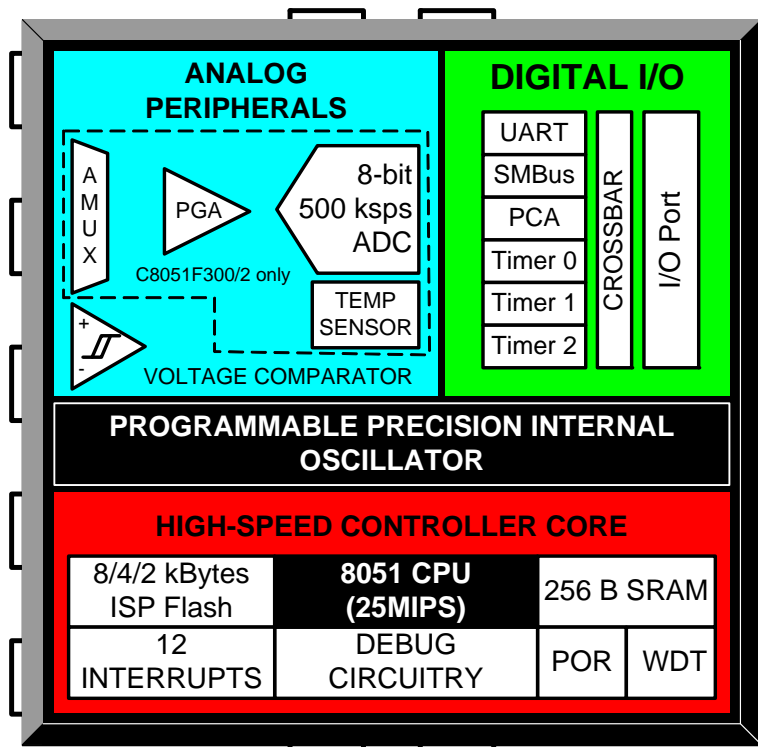
- 8 Port I/O; All 5 V tolerant with high sink current
- Hardware enhanced UART and SMBus™ serial ports
- Three general-purpose 16-bit counter/timers
- 16-bit programmable counter array (PCA) with three capture/compare modules
- Real time clock mode using PCA or timer and external clock source

Clock Sources

- Internal oscillator: 24.5 MHz with \pm 2% accuracy supports UART operation
- External oscillator: Crystal, RC, C, or clock (1 or 2 pin modes)
- Can switch between clock sources on-the-fly; Useful in power saving modes

11-Pin QFN or 14-Pin SOIC Package

- QFN Size = 3x3 mm



C8051F300/1/2/3/4/5

NOTES:

Table of Contents

| | |
|---|-----------|
| 1. System Overview | 13 |
| 1.1. CIP-51™ Microcontroller Core | 16 |
| 1.1.1. Fully 8051 Compatible | 16 |
| 1.1.2. Improved Throughput | 16 |
| 1.1.3. Additional Features | 17 |
| 1.2. On-Chip Memory | 18 |
| 1.3. On-Chip Debug Circuitry | 19 |
| 1.4. Programmable Digital I/O and Crossbar | 19 |
| 1.5. Serial Ports | 20 |
| 1.6. Programmable Counter Array | 21 |
| 1.7. 8-Bit Analog to Digital Converter (C8051F300/2 Only) | 22 |
| 1.8. Comparator | 23 |
| 2. Absolute Maximum Ratings | 24 |
| 3. Global Electrical Characteristics | 25 |
| 4. Pinout and Package Definitions | 27 |
| 5. ADC0 (8-Bit ADC, C8051F300/2) | 35 |
| 5.1. Analog Multiplexer and PGA | 36 |
| 5.2. Temperature Sensor | 36 |
| 5.3. Modes of Operation | 39 |
| 5.3.1. Starting a Conversion | 39 |
| 5.3.2. Tracking Modes | 40 |
| 5.3.3. Settling Time Requirements | 41 |
| 5.4. Programmable Window Detector | 45 |
| 5.4.1. Window Detector In Single-Ended Mode | 45 |
| 5.4.2. Window Detector In Differential Mode | 46 |
| 6. Voltage Reference (C8051F300/2) | 49 |
| 7. Comparator0 | 51 |
| 8. CIP-51 Microcontroller | 57 |
| 8.1. Instruction Set | 58 |
| 8.1.1. Instruction and CPU Timing | 58 |
| 8.1.2. MOVX Instruction and Program Memory | 59 |
| 8.2. Memory Organization | 63 |
| 8.2.1. Program Memory | 63 |
| 8.2.2. Data Memory | 64 |
| 8.2.3. General Purpose Registers | 64 |
| 8.2.4. Bit Addressable Locations | 65 |
| 8.2.5. Stack | 65 |
| 8.2.6. Special Function Registers | 65 |
| 8.2.7. Register Descriptions | 68 |
| 8.3. Interrupt Handler | 72 |
| 8.3.1. MCU Interrupt Sources and Vectors | 72 |
| 8.3.2. External Interrupts | 73 |
| 8.3.3. Interrupt Priorities | 73 |

C8051F300/1/2/3/4/5

| | |
|---|------------|
| 8.3.4. Interrupt Latency | 73 |
| 8.3.5. Interrupt Register Descriptions..... | 75 |
| 8.4. Power Management Modes | 80 |
| 8.4.1. Idle Mode..... | 80 |
| 8.4.2. Stop Mode | 81 |
| 9. Reset Sources..... | 83 |
| 9.1. Power-On Reset | 84 |
| 9.2. Power-Fail Reset/VDD Monitor..... | 84 |
| 9.3. External Reset | 85 |
| 9.4. Missing Clock Detector Reset..... | 85 |
| 9.5. Comparator0 Reset..... | 85 |
| 9.6. PCA Watchdog Timer Reset..... | 85 |
| 9.7. Flash Error Reset..... | 86 |
| 9.8. Software Reset | 86 |
| 10. Flash Memory | 89 |
| 10.1. Programming The Flash Memory | 89 |
| 10.1.1. Flash Lock and Key Functions..... | 89 |
| 10.1.2. Flash Erase Procedure | 89 |
| 10.1.3. Flash Write Procedure | 90 |
| 10.2. Non-Volatile Data Storage..... | 90 |
| 10.3. Security Options | 90 |
| 10.4. Flash Write and Erase Guidelines | 94 |
| 10.4.1. V_{DD} Maintenance and the V_{DD} monitor | 94 |
| 10.4.2. PSWE Maintenance | 94 |
| 10.4.3. System Clock | 95 |
| 11. Oscillators..... | 97 |
| 11.1. Programmable Internal Oscillator..... | 97 |
| 11.2. External Oscillator Drive Circuit..... | 99 |
| 11.3. System Clock Selection..... | 99 |
| 11.4. External Crystal Example | 101 |
| 11.5. External RC Example | 102 |
| 11.6. External Capacitor Example | 102 |
| 12. Port Input/Output..... | 103 |
| 12.1. Priority Crossbar Decoder | 104 |
| 12.2. Port I/O Initialization | 106 |
| 12.3. General Purpose Port I/O..... | 108 |
| 13. SMBus | 111 |
| 13.1. Supporting Documents..... | 112 |
| 13.2. SMBus Configuration..... | 112 |
| 13.3. SMBus Operation | 112 |
| 13.3.1. Arbitration..... | 113 |
| 13.3.2. Clock Low Extension..... | 114 |
| 13.3.3. SCL Low Timeout..... | 114 |
| 13.3.4. SCL High (SMBus Free) Timeout | 114 |

| | |
|---|------------|
| 13.4.Using the SMBus..... | 115 |
| 13.4.1.SMBus Configuration Register..... | 116 |
| 13.4.2.SMB0CN Control Register | 119 |
| 13.4.3.Data Register | 122 |
| 13.5.SMBus Transfer Modes..... | 123 |
| 13.5.1.Master Transmitter Mode | 123 |
| 13.5.2.Master Receiver Mode | 124 |
| 13.5.3.Slave Receiver Mode | 125 |
| 13.5.4.Slave Transmitter Mode | 126 |
| 13.6.SMBus Status Decoding..... | 127 |
| 14. UART0..... | 131 |
| 14.1.Enhanced Baud Rate Generation..... | 132 |
| 14.2.Operational Modes | 133 |
| 14.2.1.8-Bit UART | 133 |
| 14.2.2.9-Bit UART | 134 |
| 14.3.Multiprocessor Communications | 135 |
| 15. Timers..... | 143 |
| 15.1.Timer 0 and Timer 1 | 143 |
| 15.1.1.Mode 0: 13-bit Counter/Timer | 143 |
| 15.1.2.Mode 1: 16-bit Counter/Timer | 145 |
| 15.1.3.Mode 2: 8-bit Counter/Timer with Auto-Reload..... | 145 |
| 15.1.4.Mode 3: Two 8-bit Counter/Timers (Timer 0 Only)..... | 146 |
| 15.2.Timer 2 | 151 |
| 15.2.1.16-bit Timer with Auto-Reload..... | 151 |
| 15.2.2.8-bit Timers with Auto-Reload..... | 152 |
| 16. Programmable Counter Array | 155 |
| 16.1.PCA Counter/Timer | 156 |
| 16.2.Capture/Compare Modules | 157 |
| 16.2.1.Edge-triggered Capture Mode..... | 158 |
| 16.2.2.Software Timer (Compare) Mode..... | 159 |
| 16.2.3.High Speed Output Mode..... | 160 |
| 16.2.4.Frequency Output Mode | 161 |
| 16.2.5.8-Bit Pulse Width Modulator Mode..... | 162 |
| 16.2.6.16-Bit Pulse Width Modulator Mode..... | 163 |
| 16.3.Watchdog Timer Mode | 164 |
| 16.3.1.Watchdog Timer Operation | 164 |
| 16.3.2.Watchdog Timer Usage | 165 |
| 16.4.Register Descriptions for PCA..... | 167 |
| 17. C2 Interface..... | 173 |
| 17.1.C2 Interface Registers..... | 173 |
| 17.2.C2 Pin Sharing | 175 |
| Document Change List..... | 176 |
| Contact Information..... | 178 |

C8051F300/1/2/3/4/5

NOTES:

List of Figures

1. System Overview

| | |
|--|----|
| Figure 1.1. C8051F300/2 Block Diagram | 15 |
| Figure 1.2. C8051F301/3/4/5 Block Diagram | 15 |
| Figure 1.3. Comparison of Peak MCU Execution Speeds | 16 |
| Figure 1.4. On-Chip Clock and Reset | 17 |
| Figure 1.5. On-chip Memory Map (C8051F300/1/2/3 Shown) | 18 |
| Figure 1.6. Development/In-System Debug Diagram..... | 19 |
| Figure 1.7. Digital Crossbar Diagram | 20 |
| Figure 1.8. PCA Block Diagram | 21 |
| Figure 1.9. PCA Block Diagram | 21 |
| Figure 1.10. 8-Bit ADC Block Diagram | 22 |
| Figure 1.11. Comparator Block Diagram | 23 |

2. Absolute Maximum Ratings

3. Global Electrical Characteristics

4. Pinout and Package Definitions

| | |
|---|----|
| Figure 4.1. QFN-11 Pinout Diagram (Top View) | 28 |
| Figure 4.2. QFN-11 Package Drawing | 29 |
| Figure 4.3. Typical QFN-11 Solder Paste Mask..... | 30 |
| Figure 4.4. Typical QFN-11 Landing Diagram..... | 31 |
| Figure 4.5. SOIC-14 Pinout Diagram (Top View) | 32 |
| Figure 4.6. SOIC-14 Package Drawing | 33 |
| Figure 4.7. SOIC-14 PCB Land Pattern | 34 |

5. ADC0 (8-Bit ADC, C8051F300/2)

| | |
|---|----|
| Figure 5.1. ADC0 Functional Block Diagram..... | 35 |
| Figure 5.2. Typical Temperature Sensor Transfer Function..... | 37 |
| Figure 5.3. Temperature Sensor Error with 1-Point Calibration (VREF = 2.40 V).... | 38 |
| Figure 5.4. 8-Bit ADC Track and Conversion Example Timing | 40 |
| Figure 5.5. ADC0 Equivalent Input Circuits..... | 41 |
| Figure 5.6. ADC Window Compare Examples, Single-Ended Mode..... | 45 |
| Figure 5.7. ADC Window Compare Examples, Differential Mode | 46 |

6. Voltage Reference (C8051F300/2)

| | |
|--|----|
| Figure 6.1. Voltage Reference Functional Block Diagram | 49 |
|--|----|

7. Comparator0

| | |
|--|----|
| Figure 7.1. Comparator0 Functional Block Diagram | 51 |
| Figure 7.2. Comparator Hysteresis Plot | 52 |

8. CIP-51 Microcontroller

| | |
|---------------------------------------|----|
| Figure 8.1. CIP-51 Block Diagram..... | 57 |
| Figure 8.2. Program Memory Maps..... | 63 |
| Figure 8.3. Data Memory Map..... | 64 |

9. Reset Sources

| | |
|---|----|
| Figure 9.1. Reset Sources..... | 83 |
| Figure 9.2. Power-On and VDD Monitor Reset Timing | 84 |

C8051F300/1/2/3/4/5

| | |
|--|-----|
| 10. Flash Memory | |
| Figure 10.1. Flash Program Memory Map..... | 91 |
| 11. Oscillators | |
| Figure 11.1. Oscillator Diagram..... | 97 |
| Figure 11.2. 32.768 kHz External Crystal Example..... | 101 |
| 12. Port Input/Output | |
| Figure 12.1. Port I/O Functional Block Diagram..... | 103 |
| Figure 12.2. Port I/O Cell Block Diagram..... | 103 |
| Figure 12.3. Crossbar Priority Decoder with XBR0 = 0x00..... | 104 |
| Figure 12.4. Crossbar Priority Decoder with XBR0 = 0x44..... | 105 |
| 13. SMBus | |
| Figure 13.1. SMBus Block Diagram..... | 111 |
| Figure 13.2. Typical SMBus Configuration..... | 112 |
| Figure 13.3. SMBus Transaction..... | 113 |
| Figure 13.4. Typical SMBus SCL Generation..... | 117 |
| Figure 13.5. Typical Master Transmitter Sequence..... | 123 |
| Figure 13.6. Typical Master Receiver Sequence..... | 124 |
| Figure 13.7. Typical Slave Receiver Sequence..... | 125 |
| Figure 13.8. Typical Slave Transmitter Sequence..... | 126 |
| 14. UART0 | |
| Figure 14.1. UART0 Block Diagram..... | 131 |
| Figure 14.2. UART0 Baud Rate Logic..... | 132 |
| Figure 14.3. UART Interconnect Diagram..... | 133 |
| Figure 14.4. 8-Bit UART Timing Diagram..... | 133 |
| Figure 14.5. 9-Bit UART Timing Diagram..... | 134 |
| Figure 14.6. UART Multi-Processor Mode Interconnect Diagram..... | 135 |
| 15. Timers | |
| Figure 15.1. T0 Mode 0 Block Diagram..... | 144 |
| Figure 15.2. T0 Mode 2 Block Diagram..... | 145 |
| Figure 15.3. T0 Mode 3 Block Diagram..... | 146 |
| Figure 15.4. Timer 2 16-Bit Mode Block Diagram..... | 151 |
| Figure 15.5. Timer 2 8-Bit Mode Block Diagram..... | 152 |
| 16. Programmable Counter Array | |
| Figure 16.1. PCA Block Diagram..... | 155 |
| Figure 16.2. PCA Counter/Timer Block Diagram..... | 156 |
| Figure 16.3. PCA Interrupt Block Diagram..... | 157 |
| Figure 16.4. PCA Capture Mode Diagram..... | 158 |
| Figure 16.5. PCA Software Timer Mode Diagram..... | 159 |
| Figure 16.6. PCA High Speed Output Mode Diagram..... | 160 |
| Figure 16.7. PCA Frequency Output Mode..... | 161 |
| Figure 16.8. PCA 8-Bit PWM Mode Diagram..... | 162 |
| Figure 16.9. PCA 16-Bit PWM Mode..... | 163 |
| Figure 16.10. PCA Module 2 with Watchdog Timer Enabled..... | 164 |
| 17. C2 Interface | |
| Figure 17.1. Typical C2 Pin Sharing..... | 175 |

List of Tables

| | |
|--|-----|
| 1. System Overview | |
| Table 1.1. Product Selection Guide | 14 |
| 2. Absolute Maximum Ratings | |
| Table 2.1. Absolute Maximum Ratings | 24 |
| 3. Global Electrical Characteristics | |
| Table 3.1. Global Electrical Characteristics | 25 |
| 4. Pinout and Package Definitions | |
| Table 4.1. Pin Definitions for the C8051F300/1/2/3/4/5 | 27 |
| Table 4.2. QFN-11 Package Dimensions | 29 |
| Table 4.3. QFN-11 Landing Diagram Dimensions | 31 |
| Table 4.4. SOIC-14 Package Dimensions | 33 |
| Table 4.5. SOIC-14 PCB Land Pattern Dimensions | 34 |
| 5. ADC0 (8-Bit ADC, C8051F300/2) | |
| Table 5.1. ADC0 Electrical Characteristics | 47 |
| 6. Voltage Reference (C8051F300/2) | |
| Table 6.1. External Voltage Reference Circuit Electrical Characteristics | 50 |
| 7. Comparator0 | |
| Table 7.1. Comparator0 Electrical Characteristics | 55 |
| 8. CIP-51 Microcontroller | |
| Table 8.1. CIP-51 Instruction Set Summary | 59 |
| Table 8.2. Special Function Register (SFR) Memory Map | 66 |
| Table 8.3. Special Function Registers | 66 |
| Table 8.4. Interrupt Summary | 74 |
| 9. Reset Sources | |
| Table 9.1. User Code Space Address Limits | 86 |
| Table 9.2. Reset Electrical Characteristics | 86 |
| 10. Flash Memory | |
| Table 10.1. Flash Electrical Characteristics | 90 |
| Table 10.2. Security Byte Decoding | 91 |
| 11. Oscillators | |
| Table 11.1. Internal Oscillator Electrical Characteristics | 99 |
| 12. Port Input/Output | |
| Table 12.1. Port I/O DC Electrical Characteristics | 110 |
| 13. SMBus | |
| Table 13.1. SMBus Clock Source Selection | 116 |
| Table 13.2. Minimum SDA Setup and Hold Times | 117 |
| Table 13.3. Sources for Hardware Changes to SMB0CN | 121 |
| Table 13.4. SMBus Status Decoding | 127 |
| 14. UART0 | |
| Table 14.1. Timer Settings for Standard Baud Rates Using The Internal 24.5 MHz Oscillator | 138 |
| Table 14.2. Timer Settings for Standard Baud Rates Using an External 25 MHz Oscillator | 138 |

C8051F300/1/2/3/4/5

| | |
|--|-----|
| Table 14.3. Timer Settings for Standard Baud Rates Using an External 22.1184 MHz Oscillator | 139 |
| Table 14.4. Timer Settings for Standard Baud Rates Using an External 18.432 MHz Oscillator | 140 |
| Table 14.5. Timer Settings for Standard Baud Rates Using an External 11.0592 MHz Oscillator | 141 |
| Table 14.6. Timer Settings for Standard Baud Rates Using an External 3.6864 MHz Oscillator | 142 |

15. Timers

16. Programmable Counter Array

| | |
|--|-----|
| Table 16.1. PCA Timebase Input Options | 156 |
| Table 16.2. PCA0CPM Register Settings for PCA Capture/Compare Modules | 157 |
| Table 16.3. Watchdog Timer Timeout Intervals | 166 |

17. C2 Interface

List of Registers

| | |
|---|-----|
| SFR Definition 5.1. AMX0SL: AMUX0 Channel Select (C8051F300/2) | 42 |
| SFR Definition 5.2. ADC0CF: ADC0 Configuration (C8051F300/2) | 43 |
| SFR Definition 5.3. ADC0: ADC0 Data Word (C8051F300/2) | 43 |
| SFR Definition 5.4. ADC0CN: ADC0 Control (C8051F300/2) | 44 |
| SFR Definition 5.5. ADC0GT: ADC0 Greater-Than Data Byte (C8051F300/2) | 46 |
| SFR Definition 5.6. ADC0LT: ADC0 Less-Than Data Byte (C8051F300/2) | 46 |
| SFR Definition 6.1. REF0CN: Reference Control Register | 50 |
| SFR Definition 7.1. CPT0CN: Comparator0 Control | 53 |
| SFR Definition 7.2. CPT0MX: Comparator0 MUX Selection | 54 |
| SFR Definition 7.3. CPT0MD: Comparator0 Mode Selection | 54 |
| SFR Definition 8.1. DPL: Data Pointer Low Byte | 68 |
| SFR Definition 8.2. DPH: Data Pointer High Byte | 69 |
| SFR Definition 8.3. SP: Stack Pointer | 69 |
| SFR Definition 8.4. PSW: Program Status Word | 70 |
| SFR Definition 8.5. ACC: Accumulator | 71 |
| SFR Definition 8.6. B: B Register | 71 |
| SFR Definition 8.7. IE: Interrupt Enable | 75 |
| SFR Definition 8.8. IP: Interrupt Priority | 76 |
| SFR Definition 8.9. EIE1: Extended Interrupt Enable 1 | 77 |
| SFR Definition 8.10. EIP1: Extended Interrupt Priority 1 | 78 |
| SFR Definition 8.11. IT01CF: INT0/INT1 Configuration | 79 |
| SFR Definition 8.12. PCON: Power Control | 81 |
| SFR Definition 9.1. RSTSRC: Reset Source | 87 |
| SFR Definition 10.1. PSCTL: Program Store R/W Control | 92 |
| SFR Definition 10.2. FLKEY: Flash Lock and Key | 93 |
| SFR Definition 10.3. FLSCL: Flash Scale | 93 |
| SFR Definition 11.1. OSCICL: Internal Oscillator Calibration | 98 |
| SFR Definition 11.2. OSCICN: Internal Oscillator Control | 98 |
| SFR Definition 11.3. OSCXCN: External Oscillator Control | 100 |
| SFR Definition 12.1. XBR0: Port I/O Crossbar Register 0 | 107 |
| SFR Definition 12.2. XBR1: Port I/O Crossbar Register 1 | 107 |
| SFR Definition 12.3. XBR2: Port I/O Crossbar Register 2 | 108 |
| SFR Definition 12.4. P0: Port0 Register | 109 |
| SFR Definition 12.5. P0MDIN: Port0 Input Mode | 109 |
| SFR Definition 12.6. P0MDOUT: Port0 Output Mode | 110 |
| SFR Definition 13.1. SMB0CF: SMBus Clock/Configuration | 118 |
| SFR Definition 13.2. SMB0CN: SMBus Control | 120 |
| SFR Definition 13.3. SMB0DAT: SMBus Data | 122 |
| SFR Definition 14.1. SCON0: Serial Port 0 Control | 136 |
| SFR Definition 14.2. SBUF0: Serial (UART0) Port Data Buffer | 137 |
| SFR Definition 15.1. TCON: Timer Control | 147 |
| SFR Definition 15.2. TMOD: Timer Mode | 148 |
| SFR Definition 15.3. CKCON: Clock Control | 149 |

C8051F300/1/2/3/4/5

| | |
|--|-----|
| SFR Definition 15.4. TL0: Timer 0 Low Byte | 150 |
| SFR Definition 15.5. TL1: Timer 1 Low Byte | 150 |
| SFR Definition 15.6. TH0: Timer 0 High Byte | 150 |
| SFR Definition 15.7. TH1: Timer 1 High Byte | 150 |
| SFR Definition 15.8. TMR2CN: Timer 2 Control | 153 |
| SFR Definition 15.9. TMR2RLL: Timer 2 Reload Register Low Byte | 154 |
| SFR Definition 15.10. TMR2RLH: Timer 2 Reload Register High Byte | 154 |
| SFR Definition 15.11. TMR2L: Timer 2 Low Byte | 154 |
| SFR Definition 15.12. TMR2H: Timer 2 High Byte | 154 |
| SFR Definition 16.1. PCA0CN: PCA Control | 167 |
| SFR Definition 16.2. PCA0MD: PCA Mode | 168 |
| SFR Definition 16.3. PCA0CPMn: PCA Capture/Compare Mode | 169 |
| SFR Definition 16.4. PCA0L: PCA Counter/Timer Low Byte | 170 |
| SFR Definition 16.5. PCA0H: PCA Counter/Timer High Byte | 170 |
| SFR Definition 16.6. PCA0CPLn: PCA Capture Module Low Byte | 171 |
| SFR Definition 16.7. PCA0CPHn: PCA Capture Module High Byte | 171 |
| C2 Register Definition 17.1. C2ADD: C2 Address | 173 |
| C2 Register Definition 17.2. DEVICEID: C2 Device ID | 173 |
| C2 Register Definition 17.3. REVID: C2 Revision ID | 174 |
| C2 Register Definition 17.4. FPCTL: C2 Flash Programming Control | 174 |
| C2 Register Definition 17.5. FPDAT: C2 Flash Programming Data | 174 |

1. System Overview

C8051F300/1/2/3/4/5 devices are fully integrated mixed-signal system-on-a-chip MCUs. Highlighted features are listed below. Refer to Table 1.1 on page 14 for specific product feature selection.

- High-speed pipelined 8051-compatible microcontroller core (up to 25 MIPS)
- In-system, full-speed, non-intrusive debug interface (on-chip)
- True 8-bit 500 ksp/s 11-channel ADC with programmable gain pre-amplifier and analog multiplexer (C8051F300/2 only)
- Precision programmable 25 MHz internal oscillator
- Up to 8 kB of on-chip Flash memory
- 256 bytes of on-chip RAM
- SMBus/I²C and Enhanced UART serial interfaces implemented in hardware
- Three general-purpose 16-bit timers
- Programmable counter/timer array (PCA) with three capture/compare modules and watchdog timer function
- On-chip power-on reset, V_{DD} monitor, and temperature sensor
- On-chip voltage comparator
- Byte-wide I/O port (5 V tolerant)

With on-chip Power-On Reset, V_{DD} monitor, Watchdog Timer, and clock oscillator, the C8051F300/1/2/3/4/5 devices are truly stand-alone System-on-a-Chip solutions. The Flash memory can be reprogrammed even in-circuit, providing non-volatile data storage, and also allowing field upgrades of the 8051 firmware. User software has complete control of all peripherals, and may individually shut down any or all peripherals for power savings.

The on-chip Silicon Laboratories 2-Wire (C2) Development Interface allows non-intrusive (uses no on-chip resources), full speed, in-circuit debugging using the production MCU installed in the final application. This debug logic supports inspection and modification of memory and registers, setting breakpoints, single stepping, run and halt commands. All analog and digital peripherals are fully functional while debugging using C2. The two C2 interface pins can be shared with user functions, allowing in-system debugging without occupying package pins.

Each device is specified for 2.7 to 3.6 V operation over the industrial temperature range (–45 to +85 °C). The Port I/O and RST pins are tolerant of input signals up to 5 V. The C8051F300/1/2/3/4/5 are available in 3 x 3 mm 11-pin QFN or 14-pin SOIC packaging.

C8051F300/1/2/3/4/5

Table 1.1. Product Selection Guide

| Ordering Part Number | MIPS (Peak) | Flash Memory | RAM | Calibrated Internal Oscillator | SMBus/I ² C | UART | Timers (16-bit) | Programmable Counter Array | Digital Port I/Os | 8-bit 500kps ADC | Temperature Sensor | Analog Comparators | Lead-free (RoHS compliant) | Package |
|----------------------|-------------|--------------|-----|--------------------------------|------------------------|------|-----------------|----------------------------|-------------------|------------------|--------------------|--------------------|----------------------------|---------|
| C8051F300-GM | 25 | 8 k | 256 | ✓ | ✓ | ✓ | 3 | ✓ | 8 | ✓ | ✓ | 1 | ✓ | QFN-11 |
| C8051F300-GS | 25 | 8 k | 256 | ✓ | ✓ | ✓ | 3 | ✓ | 8 | ✓ | ✓ | 1 | ✓ | SOIC-14 |
| C8051F301-GM | 25 | 8 k | 256 | ✓ | ✓ | ✓ | 3 | ✓ | 8 | — | — | 1 | ✓ | QFN-11 |
| C8051F301-GS | 25 | 8 k | 256 | ✓ | ✓ | ✓ | 3 | ✓ | 8 | — | — | 1 | ✓ | SOIC-14 |
| C8051F302-GM | 25 | 8 k | 256 | — | ✓ | ✓ | 3 | ✓ | 8 | ✓ | ✓ | 1 | ✓ | QFN-11 |
| C8051F302-GS | 25 | 8 k | 256 | — | ✓ | ✓ | 3 | ✓ | 8 | ✓ | ✓ | 1 | ✓ | SOIC-14 |
| C8051F303-GM | 25 | 8 k | 256 | — | ✓ | ✓ | 3 | ✓ | 8 | — | — | 1 | ✓ | QFN-11 |
| C8051F303-GS | 25 | 8 k | 256 | — | ✓ | ✓ | 3 | ✓ | 8 | — | — | 1 | ✓ | SOIC-14 |
| C8051F304-GM | 25 | 4 k | 256 | — | ✓ | ✓ | 3 | ✓ | 8 | — | — | 1 | ✓ | QFN-11 |
| C8051F304-GS | 25 | 4 k | 256 | — | ✓ | ✓ | 3 | ✓ | 8 | — | — | 1 | ✓ | SOIC-14 |
| C8051F305-GM | 25 | 2 k | 256 | — | ✓ | ✓ | 3 | ✓ | 8 | — | — | 1 | ✓ | QFN-11 |
| C8051F305-GS | 25 | 2 k | 256 | — | ✓ | ✓ | 3 | ✓ | 8 | — | — | 1 | ✓ | SOIC-14 |

C8051F300/1/2/3/4/5

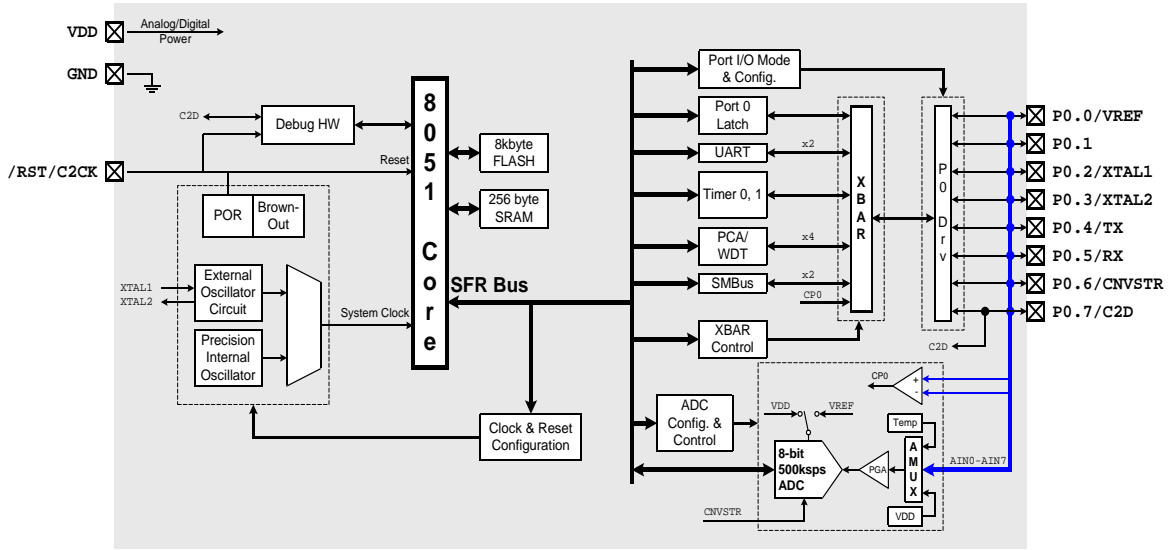


Figure 1.1. C8051F300/2 Block Diagram

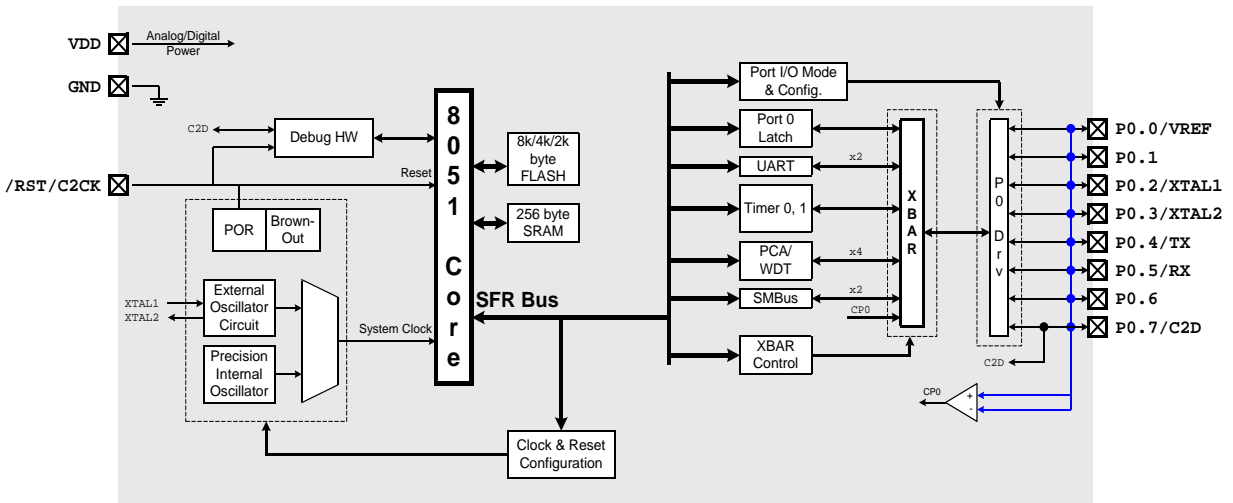


Figure 1.2. C8051F301/3/4/5 Block Diagram

C8051F300/1/2/3/4/5

1.1. CIP-51™ Microcontroller Core

1.1.1. Fully 8051 Compatible

The C8051F300/1/2/3/4/5 family utilizes Silicon Labs' proprietary CIP-51 microcontroller core. The CIP-51 is fully compatible with the MCS-51™ instruction set; standard 803x/805x assemblers and compilers can be used to develop software. The CIP-51 core offers all the peripherals included with a standard 8052, including two standard 16-bit counter/timers, one enhanced 16-bit counter/timer with external oscillator input, a full-duplex UART with extended baud rate configuration, 256 bytes of internal RAM, 128 byte Special Function Register (SFR) address space, and a byte-wide I/O Port.

1.1.2. Improved Throughput

The CIP-51 employs a pipelined architecture that greatly increases its instruction throughput over the standard 8051 architecture. In a standard 8051, all instructions except for MUL and DIV take 12 or 24 system clock cycles to execute with a maximum system clock of 12 to 24 MHz. By contrast, the CIP-51 core executes 70% of its instructions in one or two system clock cycles, with only four instructions taking more than four system clock cycles.

The CIP-51 has a total of 109 instructions. The table below shows the total number of instructions that require each execution time.

| Clocks to Execute | 1 | 2 | 2/3 | 3 | 3/4 | 4 | 4/5 | 5 | 8 |
|------------------------|----|----|-----|----|-----|---|-----|---|---|
| Number of Instructions | 26 | 50 | 5 | 14 | 7 | 3 | 1 | 2 | 1 |

With the CIP-51's maximum system clock at 25 MHz, it has a peak throughput of 25 MIPS. Figure 1.3 shows a comparison of peak throughputs for various 8-bit microcontroller cores with their maximum system clocks.

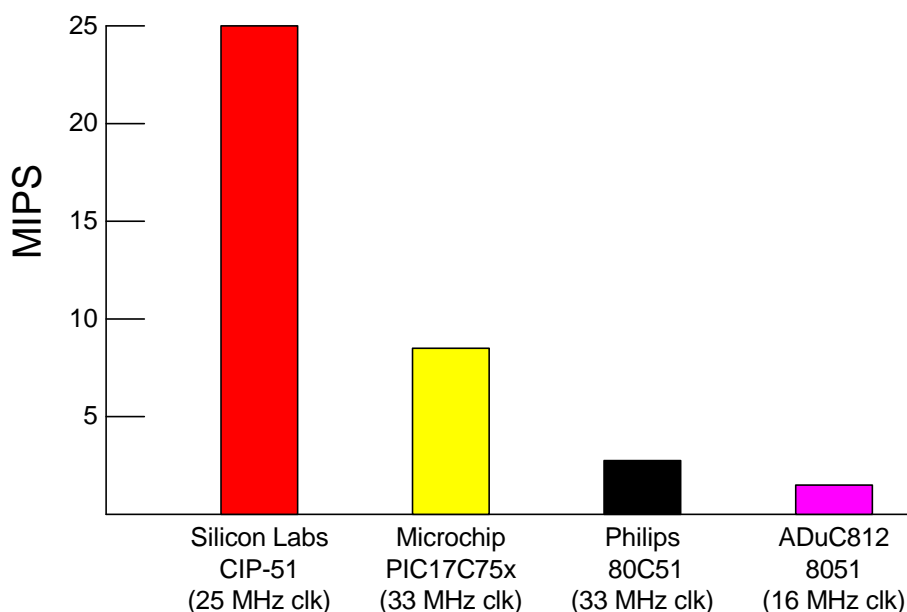


Figure 1.3. Comparison of Peak MCU Execution Speeds

1.1.3. Additional Features

The C8051F300/1/2/3/4/5 SoC family includes several key enhancements to the CIP-51 core and peripherals to improve performance and ease of use in end applications.

The extended interrupt handler provides 12 interrupt sources into the CIP-51 (as opposed to 7 for the standard 8051), allowing numerous analog and digital peripherals to interrupt the controller. An interrupt driven system requires less intervention by the MCU, giving it more effective throughput. The extra interrupt sources are very useful when building multitasking, real-time systems.

Eight reset sources are available: power-on reset circuitry (POR), an on-chip V_{DD} monitor (forces reset when power supply voltage drops below 2.7 V), a Watchdog Timer, a Missing Clock Detector, a voltage level detection from Comparator0, a forced software reset, an external reset pin, and an illegal Flash read/write protection circuit. Each reset source except for the POR, Reset Input Pin, or Flash protection may be disabled by the user in software. The WDT may be permanently enabled in software after a power-on reset during MCU initialization.

The internal oscillator is available as a factory calibrated 24.5 MHz $\pm 2\%$ (C8051F300/1 devices); an uncalibrated version is available on C8051F302/3/4/5 devices. On all C8051F300/1/2/3/4/5 devices, the internal oscillator period may be user programmed in $\sim 0.5\%$ increments. An external oscillator drive circuit is also included, allowing an external crystal, ceramic resonator, capacitor, RC, or CMOS clock source to generate the system clock. If desired, the system clock source may be switched on-the-fly to the external oscillator circuit. An external oscillator can be extremely useful in low power applications, allowing the MCU to run from a slow (power saving) external crystal source, while periodically switching to the fast (up to 25 MHz) internal oscillator as needed.

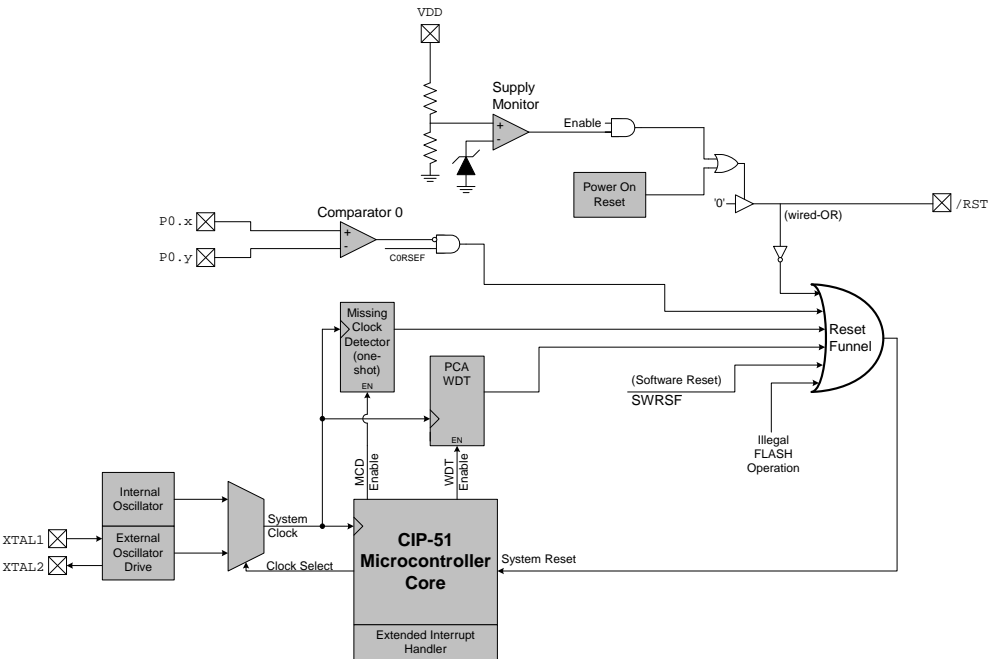


Figure 1.4. On-Chip Clock and Reset

C8051F300/1/2/3/4/5

1.2. On-Chip Memory

The CIP-51 has a standard 8051 program and data address configuration. It includes 256 bytes of data RAM, with the upper 128 bytes dual-mapped. Indirect addressing accesses the upper 128 bytes of general purpose RAM, and direct addressing accesses the 128 byte SFR address space. The lower 128 bytes of RAM are accessible via direct and indirect addressing. The first 32 bytes are addressable as four banks of general purpose registers, and the next 16 bytes can be byte addressable or bit addressable.

The C8051F300/1/2/3 includes 8k bytes of Flash program memory (the C8051F304 includes 4k bytes; the C8051F305 includes 2k bytes). This memory may be reprogrammed in-system in 512 byte sectors, and requires no special off-chip programming voltage. See Figure 1.5 for the C8051F300/1/2/3 system memory map.

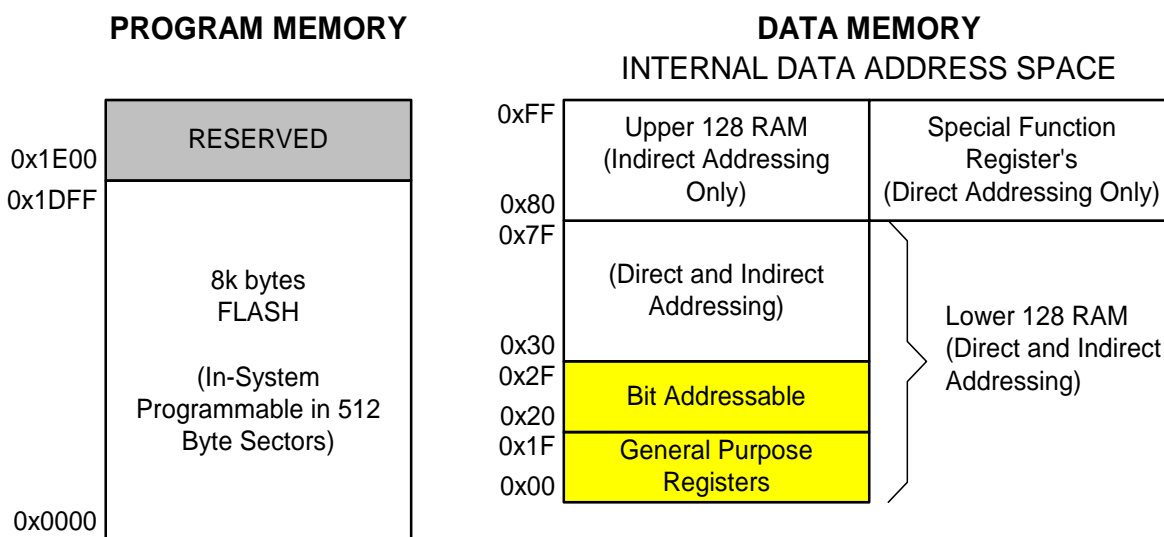


Figure 1.5. On-chip Memory Map (C8051F300/1/2/3 Shown)

1.3. On-Chip Debug Circuitry

The C8051F300/1/2/3/4/5 devices include on-chip Silicon Labs 2-Wire (C2) debug circuitry that provides non-intrusive, full-speed, in-circuit debugging of the production part *installed in the end application*.

Silicon Labs' debugging system supports inspection and modification of memory and registers, breakpoints, and single stepping. No additional target RAM, program memory, timers, or communications channels are required. All the digital and analog peripherals are functional and work correctly while debugging. All the peripherals (except for the ADC and SMBus) are stalled when the MCU is halted, during single stepping, or at a breakpoint in order to keep them synchronized.

The C8051F300DK development kit provides all the hardware and software necessary to develop application code and perform in-circuit debugging with the C8051F300/1/2/3/4/5 MCUs. The kit includes software with a developer's studio and debugger, an integrated 8051 assembler, and a C2 debug adapter. It also has a target application board with the associated MCU installed and large prototyping area, plus the necessary communication cables and wall-mount power supply. The Development Kit requires a computer with Windows® 98 SE or later. The Silicon Labs IDE interface is a vastly superior developing and debugging configuration, compared to standard MCU emulators that use onboard "ICE Chips" and require the MCU in the application board to be socketed. Silicon Labs' debug paradigm increases ease of use and preserves the performance of the precision analog peripherals.

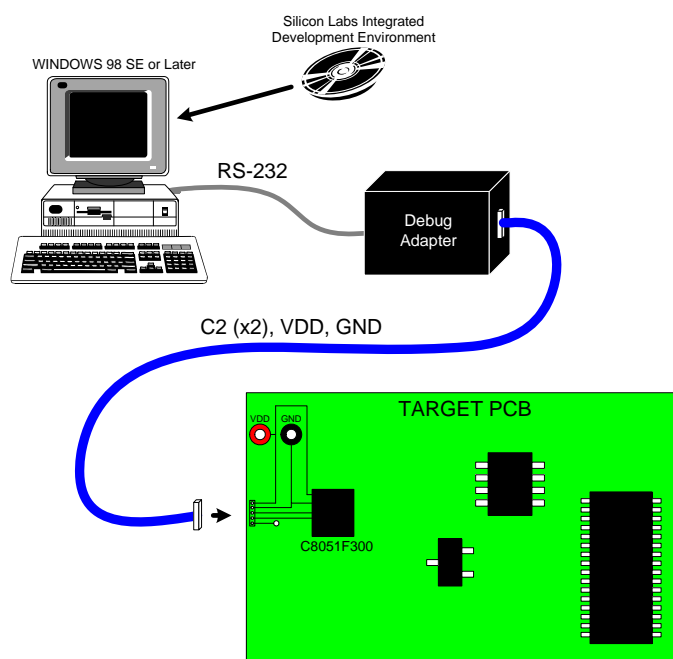


Figure 1.6. Development/In-System Debug Diagram

1.4. Programmable Digital I/O and Crossbar

C8051F300/1/2/3/4/5 devices include a byte-wide I/O Port that behaves like a typical 8051 Port with a few enhancements. Each Port pin may be configured as an analog input or a digital I/O pin. Pins selected as digital I/Os may additionally be configured for push-pull or open-drain output. The "weak pull-ups" that are fixed on typical 8051 devices may be globally disabled, providing power savings capabilities.

C8051F300/1/2/3/4/5

Perhaps the most unique Port I/O enhancement is the Digital Crossbar. This is essentially a digital switching network that allows mapping of internal digital system resources to Port I/O pins (See Figure 1.7). On-chip counter/timers, serial buses, HW interrupts, comparator output, and other digital signals in the controller can be configured to appear on the Port I/O pins specified in the Crossbar Control registers. This allows the user to select the exact mix of general purpose Port I/O and digital resources needed for the particular application.

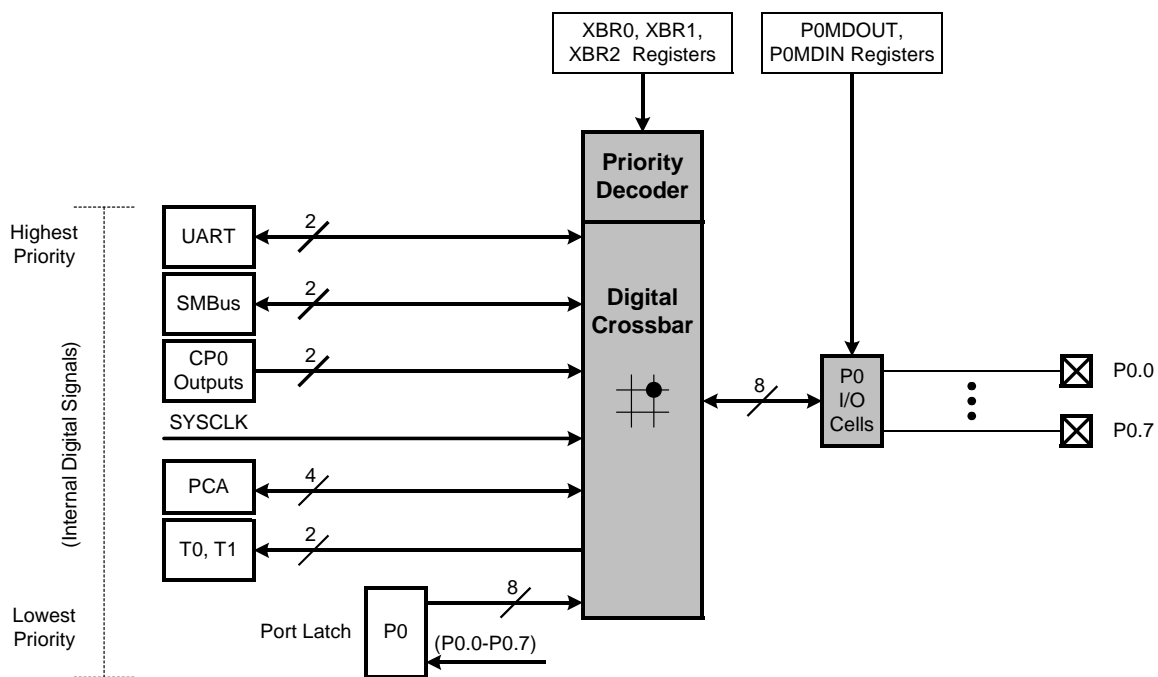


Figure 1.7. Digital Crossbar Diagram

1.5. Serial Ports

The C8051F300/1/2/3/4/5 Family includes an SMBus/I²C interface and a full-duplex UART with enhanced baud rate configuration. Each of the serial buses is fully implemented in hardware and makes extensive use of the CIP-51's interrupts, thus requiring very little CPU intervention.

1.6. Programmable Counter Array

An on-chip Programmable Counter/Timer Array (PCA) is included in addition to the three 16-bit general purpose counter/timers. The PCA consists of a dedicated 16-bit counter/timer time base with three programmable capture/compare modules. The PCA clock is derived from one of six sources: the system clock divided by 12, the system clock divided by 4, Timer 0 overflows, an External Clock Input (ECI), the system clock, or the external oscillator clock source divided by 8. The external clock source selection is useful for real-time clock functionality, where the PCA is clocked by an external source while the internal oscillator drives the system clock.

Each capture/compare module can be configured to operate in one of six modes: Edge-Triggered Capture, Software Timer, High Speed Output, 8- or 16-bit Pulse Width Modulator, or Frequency Output. Additionally, Capture/Compare Module 2 offers watchdog timer (WDT) capabilities. Following a system reset, Module 2 is configured and enabled in WDT mode. The PCA Capture/Compare Module I/O and External Clock Input may be routed to Port I/O via the Digital Crossbar.

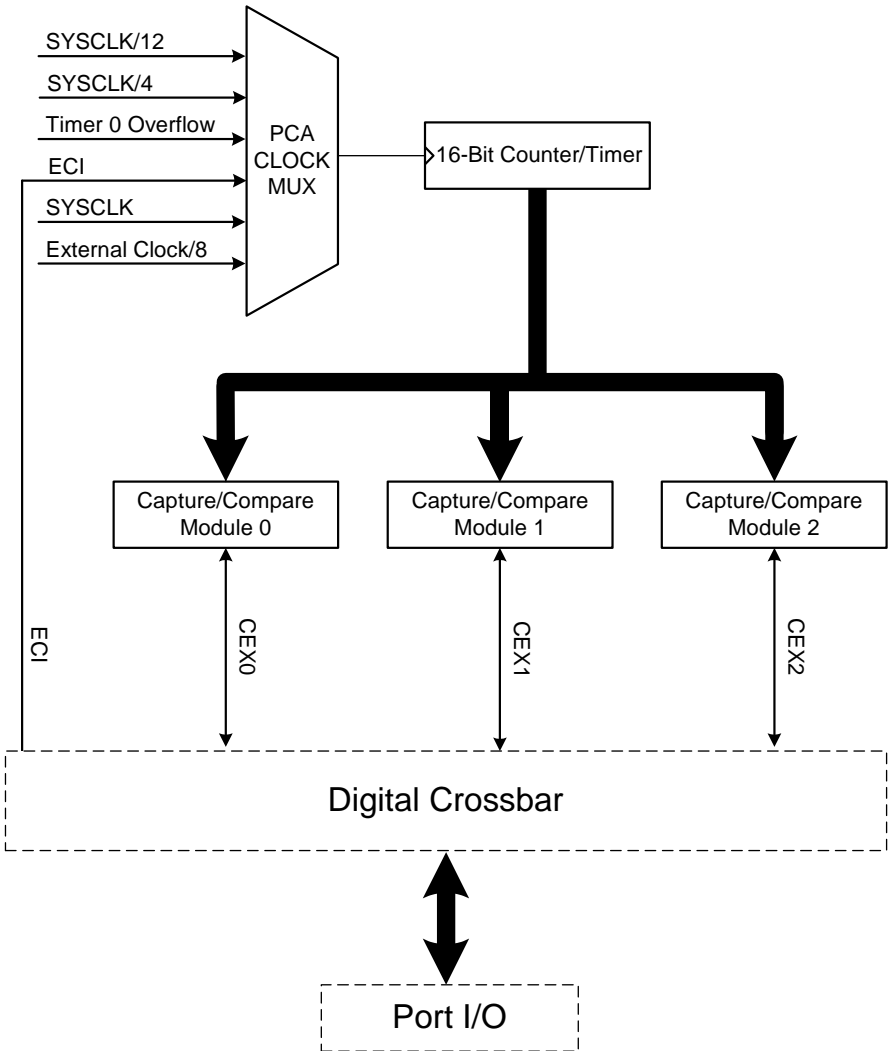


Figure 1.9. PCA Block Diagram

C8051F300/1/2/3/4/5

1.7. 8-Bit Analog to Digital Converter (C8051F300/2 Only)

The C8051F300/2 includes an on-chip 8-bit SAR ADC with a 10-channel differential input multiplexer and programmable gain amplifier. With a maximum throughput of 500 ksps, the ADC offers true 8-bit accuracy with an INL of ± 1 LSB. The ADC system includes a configurable analog multiplexer that selects both positive and negative ADC inputs. Each Port pin is available as an ADC input; additionally, the on-chip Temperature Sensor output and the power supply voltage (V_{DD}) are available as ADC inputs. User firmware may shut down the ADC to save power.

The integrated programmable gain amplifier (PGA) amplifies the ADC input by 0.5, 1, 2, or 4 as defined by user software. The gain stage is especially useful when different ADC input channels have widely varied input voltage signals, or when it is necessary to "zoom in" on a signal with a large DC offset.

Conversions can be started in five ways: a software command, an overflow of Timer 0, 1, or 2, or an external convert start signal. This flexibility allows the start of conversion to be triggered by software events, a periodic signal (timer overflows), or external HW signals. Conversion completions are indicated by a status bit and an interrupt (if enabled). The resulting 8-bit data word is latched into an SFR upon completion of a conversion.

Window compare registers for the ADC data can be configured to interrupt the controller when ADC data is either within or outside of a specified range. The ADC can monitor a key voltage continuously in background mode, but not interrupt the controller unless the converted data is within/outside the specified range.

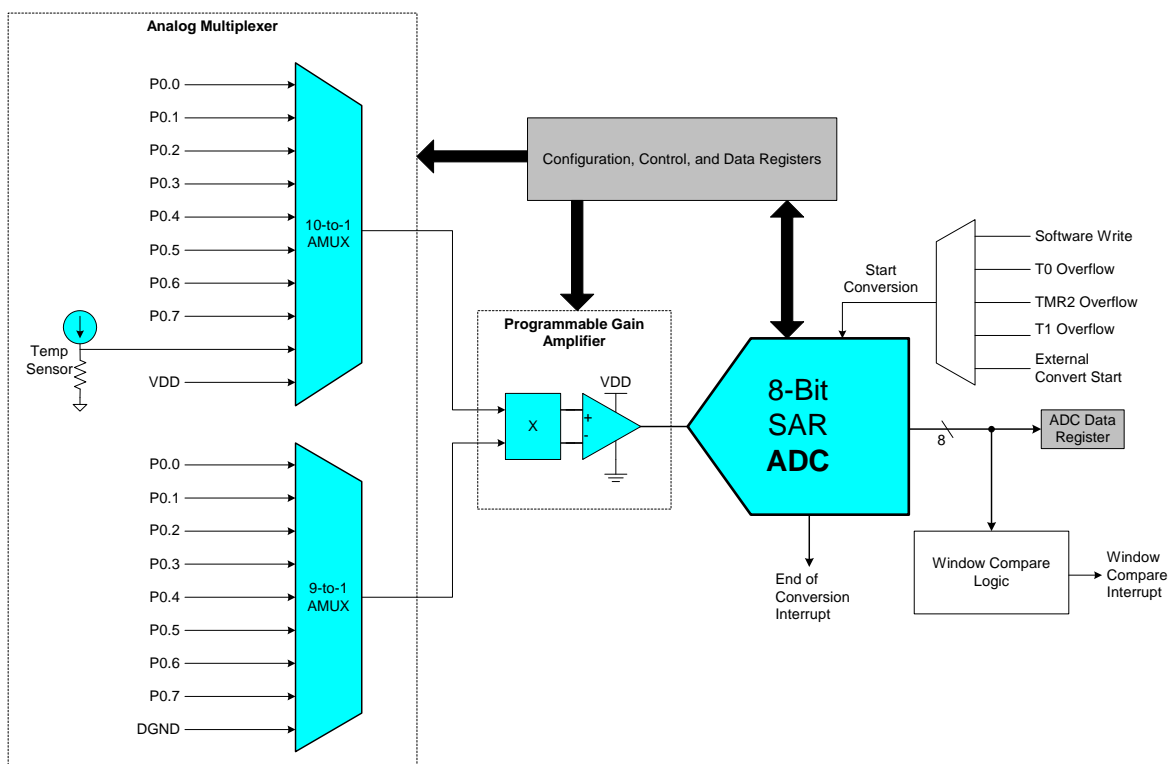


Figure 1.10. 8-Bit ADC Block Diagram

1.8. Comparator

C8051F300/1/2/3/4/5 devices include an on-chip voltage comparator that is enabled/disabled and configured via user software. All Port I/O pins may be configured as comparator inputs. Two comparator outputs may be routed to a Port pin if desired: a latched output and/or an unlatched (asynchronous) output. Comparator response time is programmable, allowing the user to select between high-speed and low-power modes. Positive and negative hysteresis is also configurable.

Comparator interrupts may be generated on rising, falling, or both edges. When in IDLE mode, these interrupts may be used as a “wake-up” source. The comparator may also be configured as a reset source.

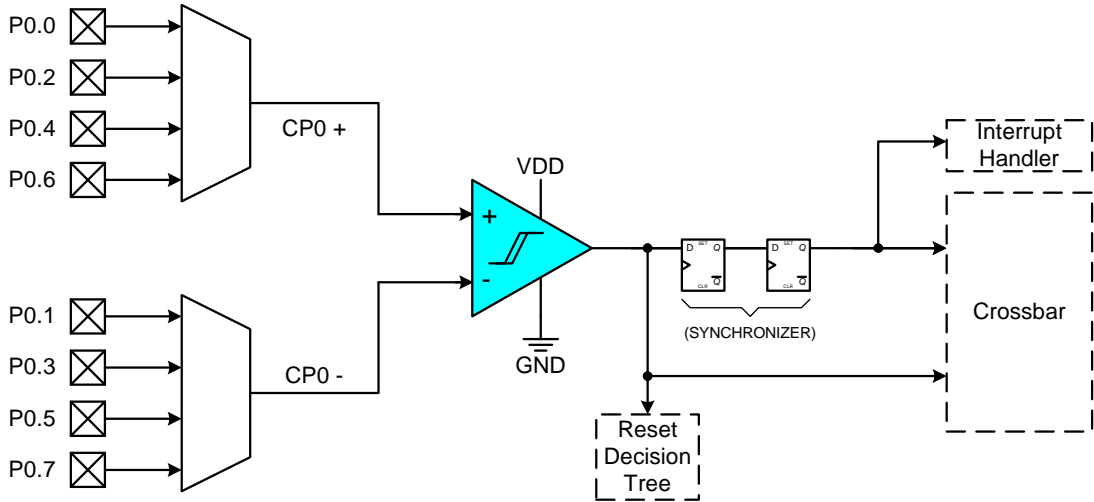


Figure 1.11. Comparator Block Diagram

C8051F300/1/2/3/4/5

2. Absolute Maximum Ratings

Table 2.1. Absolute Maximum Ratings*

| Parameter | Conditions | Min | Typ | Max | Units |
|--|------------|------|-----|-----|-------|
| Ambient temperature under bias | | -55 | — | 125 | °C |
| Storage Temperature | | -65 | — | 150 | °C |
| Voltage on any Port I/O Pin or $\overline{\text{RST}}$ with respect to GND | | -0.3 | — | 5.8 | V |
| Voltage on V_{DD} with respect to GND | | -0.3 | — | 4.2 | V |
| Maximum Total current through V_{DD} and GND | | — | — | 500 | mA |
| Maximum output current sunk by $\overline{\text{RST}}$ or any Port pin | | — | — | 100 | mA |

***Note:** Stresses above those listed under “Absolute Maximum Ratings” may cause permanent damage to the device. This is a stress rating only and functional operation of the devices at those or any other conditions above those indicated in the operation listings of this specification is not implied. Exposure to maximum rating conditions for extended periods may affect device reliability.

3. Global Electrical Characteristics

Table 3.1. Global Electrical Characteristics

–40 to +85 °C, 25 MHz system clock unless otherwise specified.

| Parameter | Conditions | Min | Typ | Max | Units |
|--|---|-------------|------|------|--------|
| Digital Supply Voltage | | V_{RST}^1 | 3.0 | 3.6 | V |
| Digital Supply RAM Data Retention Voltage | | — | 1.5 | — | V |
| SYSCLK (System Clock) (Note 2) | | 0 | — | 25 | MHz |
| T_{SYSH} (SYSCLK High Time) | | 18 | — | — | ns |
| T_{SYSL} (SYSCLK Low Time) | | 18 | — | — | ns |
| Specified Operating Temperature Range | | –40 | — | +85 | °C |
| Digital Supply Current—CPU Active (Normal Mode, fetching instructions from Flash) | | | | | |
| I_{DD} (Note 3) | $V_{DD} = 3.6\text{ V}, F = 25\text{ MHz}$ | — | 9.4 | 10.2 | mA |
| | $V_{DD} = 3.0\text{ V}, F = 25\text{ MHz}$ | — | 6.6 | 7.2 | mA |
| | $V_{DD} = 3.0\text{ V}, F = 1\text{ MHz}$ | — | 0.45 | — | mA |
| | $V_{DD} = 3.0\text{ V}, F = 80\text{ kHz}$ | — | 36 | — | μA |
| I_{DD} Supply Sensitivity (Note 3) | $F = 25\text{ MHz}$ | — | 69 | — | %/V |
| | $F = 1\text{ MHz}$ | — | 51 | — | %/V |
| I_{DD} Frequency Sensitivity (Note 3, Note 4) | $V_{DD} = 3.0\text{ V}, F \leq 15\text{ MHz}, T = 25\text{ °C}$ | — | 0.45 | — | mA/MHz |
| | $V_{DD} = 3.0\text{ V}, F > 15\text{ MHz}, T = 25\text{ °C}$ | — | 0.16 | — | mA/MHz |
| | $V_{DD} = 3.6\text{ V}, F \leq 15\text{ MHz}, T = 25\text{ °C}$ | — | 0.69 | — | mA/MHz |
| | $V_{DD} = 3.6\text{ V}, F > 15\text{ MHz}, T = 25\text{ °C}$ | — | 0.20 | — | mA/MHz |
| Digital Supply Current—CPU Inactive (Idle Mode, not fetching instructions from Flash) | | | | | |
| I_{DD} (Note 3) | $V_{DD} = 3.6\text{ V}, F = 25\text{ MHz}$ | — | 3.3 | 4.0 | mA |
| | $V_{DD} = 3.0\text{ V}, F = 25\text{ MHz}$ | — | 2.5 | 3.2 | mA |
| | $V_{DD} = 3.0\text{ V}, F = 1\text{ MHz}$ | — | 0.10 | — | mA |
| | $V_{DD} = 3.0\text{ V}, F = 80\text{ kHz}$ | — | 8 | — | μA |

C8051F300/1/2/3/4/5

Table 3.1. Global Electrical Characteristics (Continued)

–40 to +85 °C, 25 MHz system clock unless otherwise specified.

| Parameter | Conditions | Min | Typ | Max | Units |
|--|--|-----|-------|-----|--------|
| I _{DD} Supply Sensitivity (Note 3) | F = 25 MHz | — | 47 | — | %/V |
| | F = 1 MHz | — | 59 | — | %/V |
| I _{DD} Frequency Sensitivity (Note 3, Note 5) | V _{DD} = 3.0 V, F ≤ 1 MHz, T = 25 °C | — | 0.27 | — | mA/MHz |
| | V _{DD} = 3.0 V, F > 1 MHz, T = 25 °C | — | 0.10 | — | mA/MHz |
| | V _{DD} = 3.6 V, F ≤ 1 MHz, T = 25 °C | — | 0.35 | — | mA/MHz |
| | V _{DD} = 3.6 V, F > 1 MHz, T = 25 °C | — | 0.12 | — | mA/MHz |
| Digital Supply Current (Stop Mode, shutdown) | Oscillator not running, V _{DD} Monitor Disabled | — | < 0.1 | — | μA |

Notes:

1. Given in Table 9.2 on page 86.
2. SYSCLK must be at least 32 kHz to enable debugging.
3. Based on device characterization data; Not production tested.
4. Normal IDD can be estimated for frequencies ≤ 15 MHz by simply multiplying the frequency of interest by the frequency sensitivity number for that range. When using these numbers to estimate I_{DD} for >15 MHz, the estimate should be the current at 25 MHz minus the difference in current indicated by the frequency sensitivity number.
For example: V_{DD} = 3.0 V; F = 20 MHz, I_{DD} = 6.6 mA – (25 MHz – 20 MHz) x 0.16 mA/MHz = 5.8 mA.
5. Idle IDD can be estimated for frequencies ≤ 1 MHz by simply multiplying the frequency of interest by the frequency sensitivity number for that range. When using these numbers to estimate Idle I_{DD} for >1 MHz, the estimate should be the current at 25 MHz minus the difference in current indicated by the frequency sensitivity number.
For example: V_{DD} = 3.0 V; F = 5 MHz, Idle I_{DD} = 3.3 mA – (25 MHz – 5 MHz) x 0.10 mA/MHz = 1.3 mA.

4. Pinout and Package Definitions

Table 4.1. Pin Definitions for the C8051F300/1/2/3/4/5

| Name | Pin F300/1/2/3/4/5 GM | Pin F300/1/2/3/4/5 GP | Type | Description |
|--|-----------------------------|-----------------------------|-------------------------------|---|
| VREF / P0.0 | 1 | 5 | A In D I/O or A In | External Voltage Reference Input. Port 0.0. See Section 12 for complete description. |
| P0.1 | 2 | 6 | D I/O or A In | Port 0.1. See Section 12 for complete description. |
| V _{DD} | 3 | 7 | | Power Supply Voltage. |
| XTAL1 / P0.2 | 4 | 8 | A In D I/O or A In | Crystal Input. This pin is the external oscillator circuit return for a crystal or ceramic resonator. See Section 11.2 . Port 0.2. See Section 12 for complete description. |
| XTAL2 / P0.3 | 5 | 10 | A Out D I/O | Crystal Input/Output. For an external crystal or resonator, this pin is the excitation driver. This pin is the external clock input for CMOS, capacitor, or RC network configurations. See Section 11.2 . Port 0.3. See Section 12 for complete description. |
| P0.4 | 6 | 12 | D I/O or A In | Port 0.4. See Section 12 for complete description. |
| P0.5 | 7 | 13 | D I/O or A In | Port 0.5. See Section 12 for complete description. |
| C2CK / RST | 8 | 14 | D I/O D I/O | Clock signal for the C2 Development Interface. Device Reset. Open-drain output of internal POR or V _{DD} monitor. An external source can initiate a system reset by driving this pin low for at least 10 μs. |
| P0.6 / CNVSTR | 9 | 1 | D I/O or A In D I/O | Port 0.6. See Section 12 for complete description. ADC External Convert Start Input Strobe. |
| C2D / P0.7 | 10 | 2 | D I/O D I/O or A In | Data signal for the C2 Development Interface. Port 0.7. See Section 12 for complete description. |
| GND | 11 | 3 | | Ground. |
| N.C. pins for F30x GP packages: 4, 9, 11 | | | | |

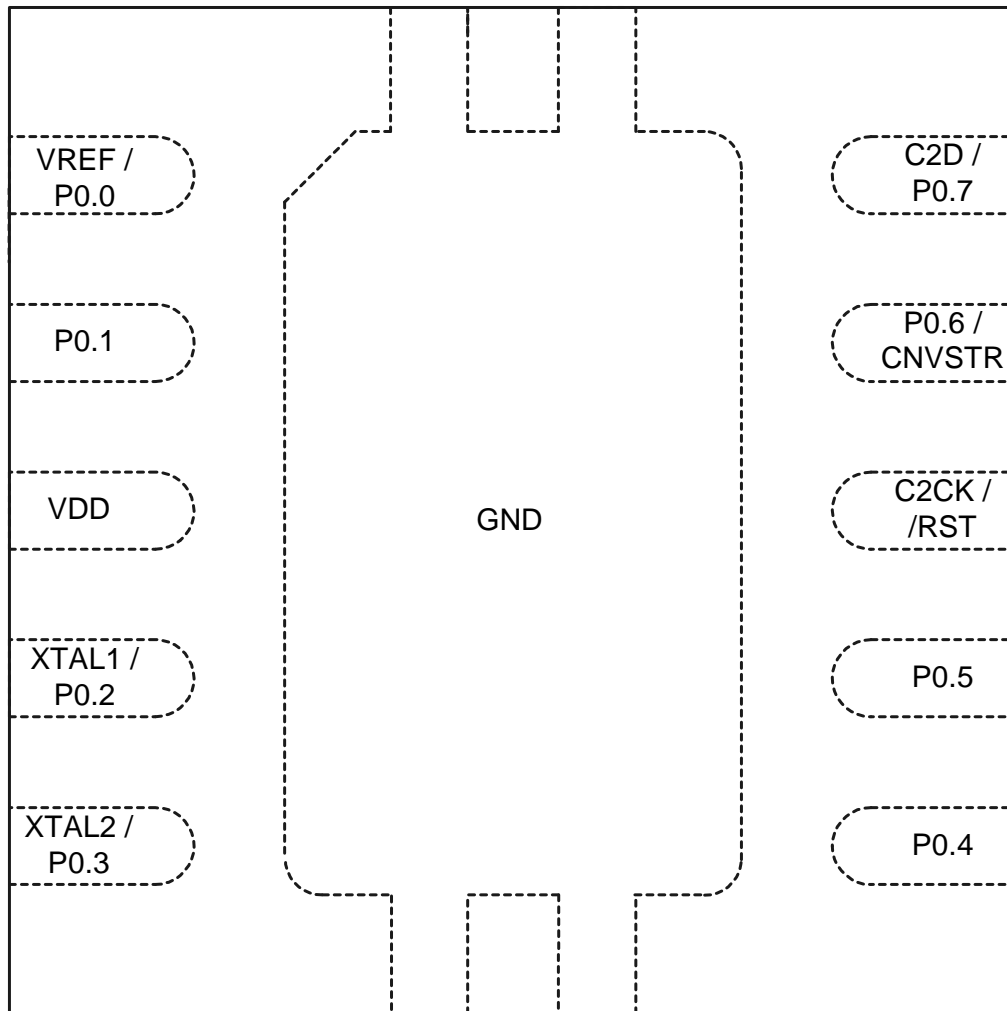


Figure 4.1. QFN-11 Pinout Diagram (Top View)

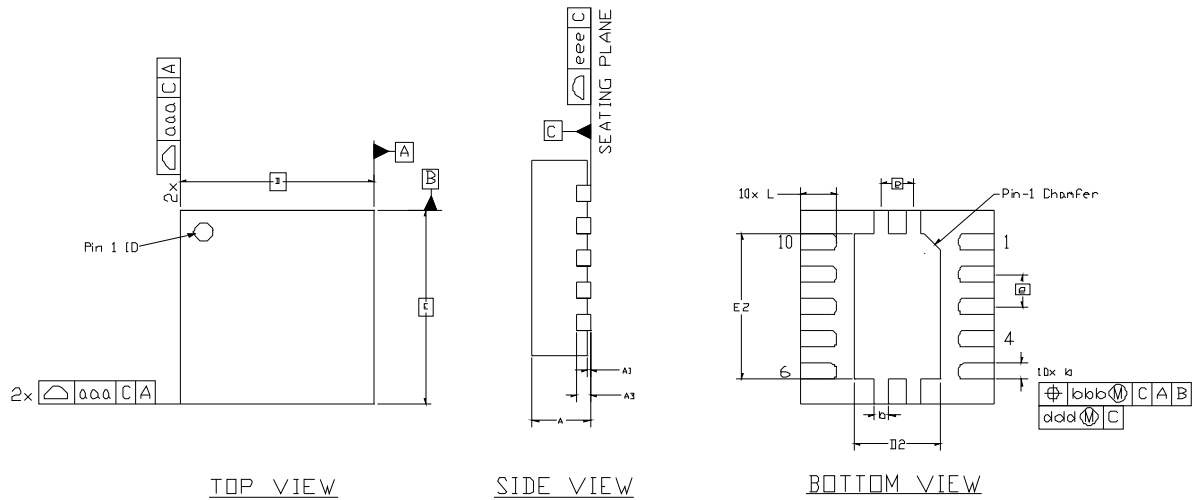


Figure 4.2. QFN-11 Package Drawing

Table 4.2. QFN-11 Package Dimensions

| Dimension | Min | Nom | Max | Dimension | Min | Nom | Max |
|-----------|-----------|------|------|-----------|-----------|------|------|
| A | 0.80 | 0.90 | 1.00 | E | 3.00 BSC. | | |
| A1 | 0.03 | 0.07 | 0.11 | E2 | 2.20 | 2.25 | 2.30 |
| A3 | 0.25 REF | | | L | .45 | .55 | .65 |
| b | 0.18 | 0.25 | 0.30 | aaa | -- | -- | 0.15 |
| D | 3.00 BSC. | | | bbb | -- | -- | 0.15 |
| D2 | 1.30 | 1.35 | 1.40 | ddd | -- | -- | 0.05 |
| e | 0.50 BSC. | | | eee | -- | -- | 0.08 |

Notes:

1. All dimensions shown are in millimeters (mm) unless otherwise noted.
2. Dimensioning and Tolerancing per ANSI Y14.5M-1994.
3. This drawing conforms to JEDEC outline MO-243, variation VEED except for custom features D2, E2, and L which are toleranced per supplier designation.
4. Recommended card reflow profile is per the JEDEC/IPC J-STD-020C specification for Small Body Components.

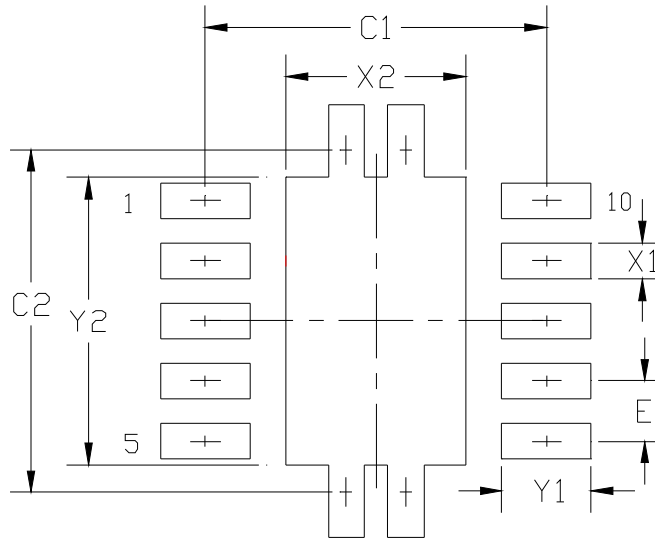


Figure 4.4. Typical QFN-11 Landing Diagram

Table 4.3. QFN-11 Landing Diagram Dimensions

| Dimension | MIN | MAX |
|-----------|----------|------|
| C1 | 2.75 | 2.85 |
| C2 | 2.75 | 2.85 |
| E | 0.50 BSC | |
| X1 | 0.20 | 0.30 |
| X2 | 1.40 | 1.50 |
| Y1 | 0.65 | 0.75 |
| Y2 | 2.30 | 2.40 |

Notes: General

1. All dimensions shown are in millimeters (mm) unless otherwise noted.
2. This land pattern design is based on the IPC-7351 guidelines.

Notes: Solder Mask Design

1. All metal pads are to be non-solder mask defined (NSMD). Clearance between the solder mask and the metal pad is to be 60 μm minimum, all the way around the pad.

Notes: Stencil Design

1. A stainless steel, laser-cut and electro-polished stencil with trapezoidal walls should be used to assure good solder paste release.
2. The stencil thickness should be 0.125 mm (5 mils).
3. The ratio of stencil aperture to land pad size should be 1:1 for all perimeter pads.
4. A 3 x 1 array of 1.30 x 0.60 mm openings on 0.80 mm pitch should be used for the center ground pad.

Notes: Card Assembly

1. A No-Clean, Type-3 solder paste is recommended.
2. The recommended card reflow profile is per the JEDEC/IPC J-STD-020C specification for Small Body Components.

C8051F300/1/2/3/4/5

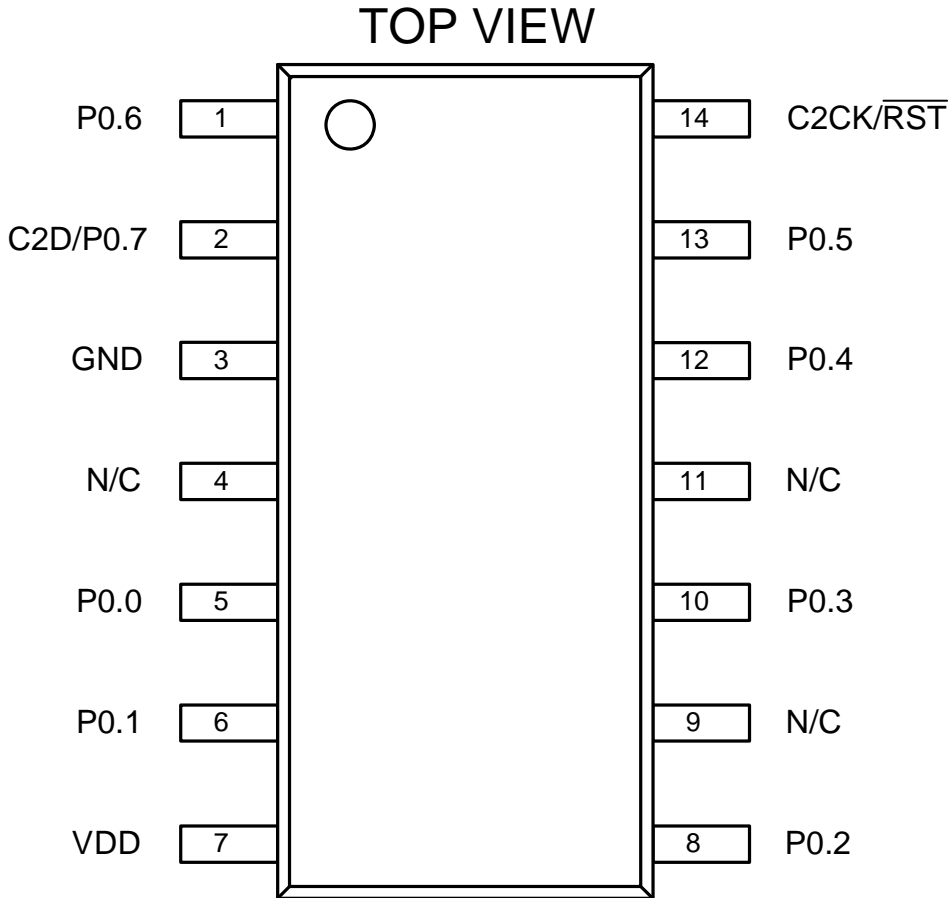


Figure 4.5. SOIC-14 Pinout Diagram (Top View)

C8051F300/1/2/3/4/5

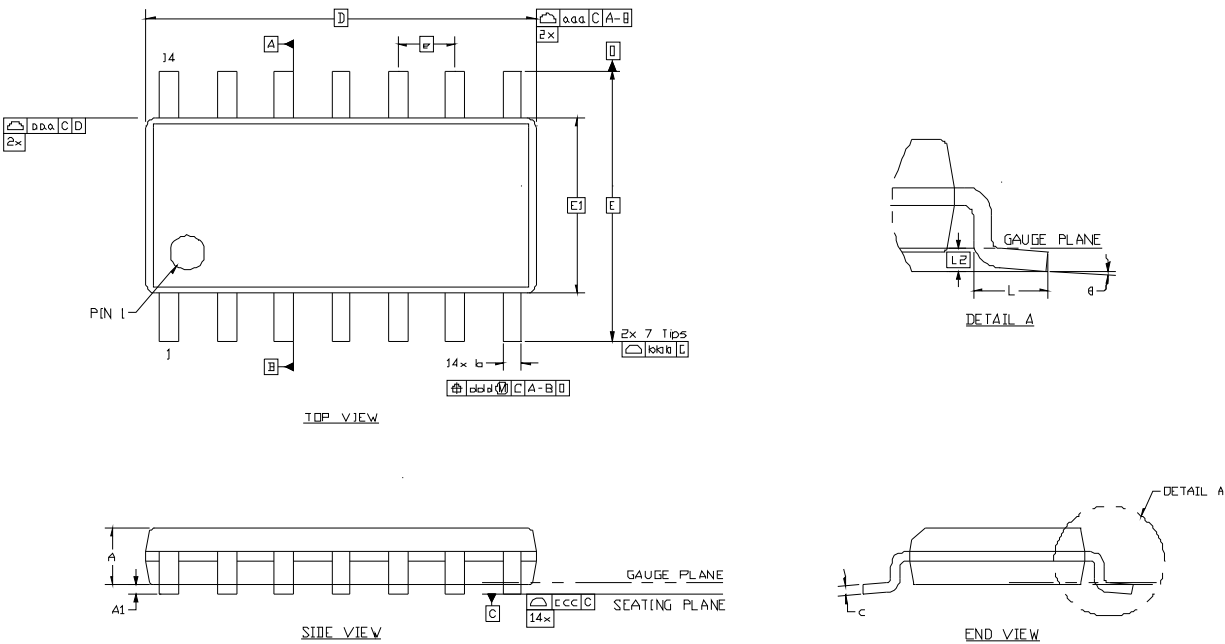


Figure 4.6. SOIC-14 Package Drawing

Table 4.4. SOIC-14 Package Dimensions

| Dimension | Min | Max | Dimension | Min | Max |
|-----------|----------|------|-----------|----------|------|
| A | --- | 1.75 | L | 0.40 | 1.27 |
| A1 | 0.10 | 0.25 | L2 | 0.25 BSC | |
| b | 0.33 | 0.51 | Q | 0° | 8° |
| c | 0.17 | 0.25 | aaa | 0.10 | |
| D | 8.65 BSC | | bbb | 0.20 | |
| E | 6.00 BSC | | ccc | 0.10 | |
| E1 | 3.90 BSC | | ddd | 0.25 | |
| e | 1.27 BSC | | | | |

Notes:

1. All dimensions shown are in millimeters (mm).
2. Dimensioning and Tolerancing per ANSI Y14.5M-1994.
3. This drawing conforms to JEDEC outline MS012, variation AB.
4. Recommended card reflow profile is per the JEDEC/IPC J-STD-020C specification for Small Body Components.

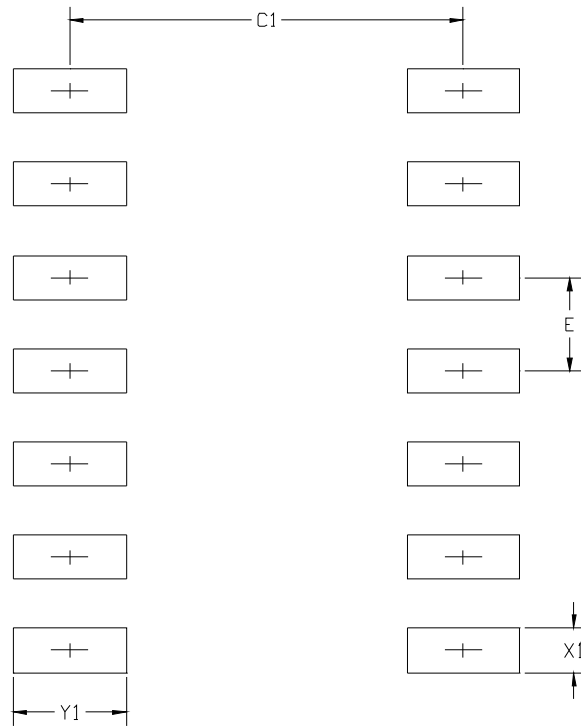


Figure 4.7. SOIC-14 PCB Land Pattern

Table 4.5. SOIC-14 PCB Land Pattern Dimensions

| Dimension | Min | Max |
|-----------|----------|------|
| C1 | 5.30 | 5.40 |
| E | 1.27 BSC | |
| X1 | 0.50 | 0.60 |
| Y1 | 1.45 | 1.55 |

5. ADC0 (8-Bit ADC, C8051F300/2)

The ADC0 subsystem for the C8051F300/2 consists of two analog multiplexers (referred to collectively as AMUX0) with 11 total input selections, a differential programmable gain amplifier (PGA), and a 500 kbps, 8-bit successive-approximation-register ADC with integrated track-and-hold and programmable window detector (see block diagram in Figure 5.1). The AMUX0, PGA, data conversion modes, and window detector are all configurable under software control via the Special Function Registers shown in Figure 5.1. ADC0 operates in both Single-ended and Differential modes, and may be configured to measure any Port pin, the Temperature Sensor output, or V_{DD} with respect to any Port pin or GND. The ADC0 subsystem is enabled only when the AD0EN bit in the ADC0 Control register (ADC0CN) is set to logic 1. The ADC0 subsystem is in low power shutdown when this bit is logic 0.

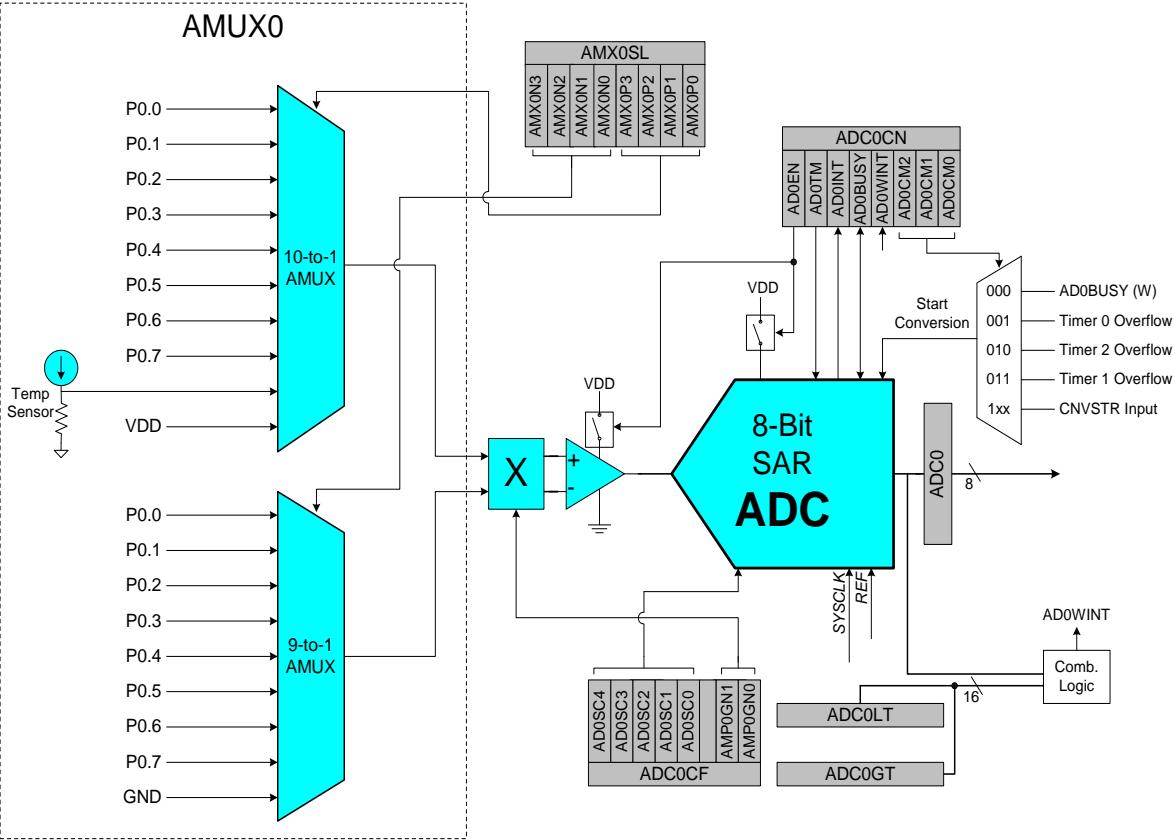


Figure 5.1. ADC0 Functional Block Diagram

C8051F300/1/2/3/4/5

5.1. Analog Multiplexer and PGA

The analog multiplexers (AMUX0) select the positive and negative inputs to the PGA, allowing any Port pin to be measured relative to any other Port pin or GND. Additionally, the on-chip temperature sensor or the positive power supply (V_{DD}) may be selected as the positive PGA input. **When GND is selected as the negative input, ADC0 operates in Single-ended Mode; all other times, ADC0 operates in Differential Mode.** The ADC0 input channels are selected in the AMX0SL register as described in SFR Definition 5.1.

The conversion code format differs in Single-ended versus Differential modes, as shown below. When in Single-ended Mode (negative input is selected GND), conversion codes are represented as 8-bit unsigned integers. Inputs are measured from '0' to $V_{REF} \times 255/256$. Example codes are shown below.

| Input Voltage | ADC0 Output (Conversion Code) |
|--------------------------|-------------------------------|
| $V_{REF} \times 255/256$ | 0xFF |
| $V_{REF} \times 128/256$ | 0x80 |
| $V_{REF} \times 64/256$ | 0x40 |
| 0 | 0x00 |

When in Differential Mode (negative input is not selected as GND), conversion codes are represented as 8-bit signed 2s complement numbers. Inputs are measured from $-V_{REF}$ to $V_{REF} \times 127/128$. Example codes are shown below.

| Input Voltage | ADC0 Output (Conversion Code) |
|--------------------------|-------------------------------|
| $V_{REF} \times 127/128$ | 0x7F |
| $V_{REF} \times 64/128$ | 0x40 |
| 0 | 0x00 |
| $-V_{REF} \times 64/128$ | 0xC0 |
| $-V_{REF}$ | 0x80 |

Important Note About ADC0 Input Configuration: Port pins selected as ADC0 inputs should be configured as analog inputs and should be skipped by the Digital Crossbar. To configure a Port pin for analog input, set to '0' the corresponding bit in register P0MDIN. To force the Crossbar to skip a Port pin, set to '1' the corresponding bit in register XBR0. See [Section "12. Port Input/Output" on page 103](#) for more Port I/O configuration details.

The PGA amplifies the AMUX0 output signal as defined by the AMP0GN1-0 bits in the ADC0 Configuration register (SFR Definition 5.2). The PGA is software-programmable for gains of 0.5, 1, 2, or 4. The gain defaults to 0.5 on reset.

5.2. Temperature Sensor

The typical temperature sensor transfer function is shown in Figure 5.2. The output voltage (V_{TEMP}) is the positive PGA input when the temperature sensor is selected by bits AMX0P2-0 in register AMX0SL; this voltage will be amplified by the PGA according to the user-programmed PGA settings.

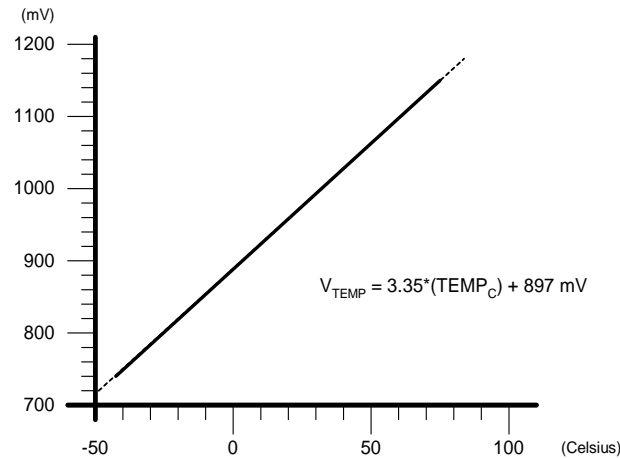


Figure 5.2. Typical Temperature Sensor Transfer Function

The uncalibrated temperature sensor output is extremely linear and suitable for relative temperature measurements (see Table 5.1 for linearity specifications). For absolute temperature measurements, gain and/or offset calibration is recommended. Typically a 1-point calibration includes the following steps:

- Step 1. Control/measure the ambient temperature (this temperature must be known).
- Step 2. Power the device, and delay for a few seconds to allow for self-heating.
- Step 3. Perform an ADC conversion with the temperature sensor selected as the positive input and GND selected as the negative input.
- Step 4. Calculate the offset and/or gain characteristics, and store these values in non-volatile memory for use with subsequent temperature sensor measurements.

Figure 5.3 shows the typical temperature sensor error assuming a 1-point calibration at 25 °C. **Note that parameters which affect ADC measurement, in particular the voltage reference value, will also affect temperature measurement.**

C8051F300/1/2/3/4/5

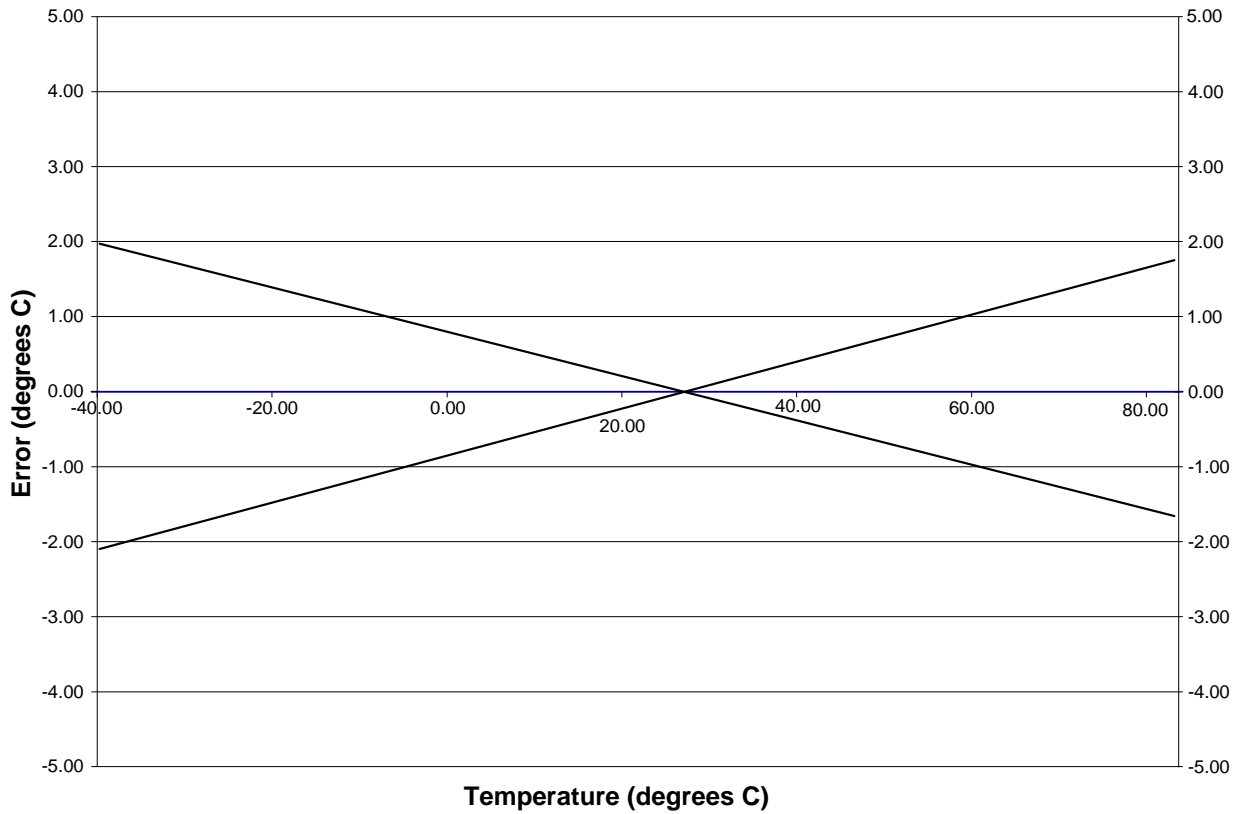


Figure 5.3. Temperature Sensor Error with 1-Point Calibration (VREF = 2.40 V)

5.3. Modes of Operation

ADC0 has a maximum conversion speed of 500 ksps. The ADC0 conversion clock is a divided version of the system clock, determined by the AD0SC bits in the ADC0CF register (system clock divided by $(AD0SC + 1)$ for $0 \leq AD0SC \leq 31$).

5.3.1. Starting a Conversion

A conversion can be initiated in one of five ways, depending on the programmed states of the ADC0 Start of Conversion Mode bits (AD0CM2–0) in register ADC0CN. Conversions may be initiated by one of the following:

1. Writing a '1' to the AD0BUSY bit of register ADC0CN
2. A Timer 0 overflow (i.e. timed continuous conversions)
3. A Timer 2 overflow
4. A Timer 1 overflow
5. A rising edge on the CNVSTR input signal (pin P0.6)

Writing a '1' to AD0BUSY provides software control of ADC0 whereby conversions are performed "on-demand". During conversion, the AD0BUSY bit is set to logic 1 and reset to logic 0 when the conversion is complete. The falling edge of AD0BUSY triggers an interrupt (when enabled) and sets the ADC0 interrupt flag (AD0INT). Note: When polling for ADC conversion completions, the ADC0 interrupt flag (AD0INT) should be used. Converted data is available in the ADC0 data register, ADC0, when bit AD0INT is logic 1. Note that when Timer 2 overflows are used as the conversion source, Timer 2 Low Byte overflows are used if Timer 2 is in 8-bit mode; Timer 2 High byte overflows are used if Timer 2 is in 16-bit mode. See [Section "15. Timers" on page 143](#) for timer configuration.

Important Note About Using CNVSTR: The CNVSTR input pin also functions as Port pin P0.6. When the CNVSTR input is used as the ADC0 conversion source, Port pin P0.6 should be skipped by the Digital Crossbar. To configure the Crossbar to skip P0.6, set to '1' Bit6 in register XBR0. See [Section "12. Port Input/Output" on page 103](#) for details on Port I/O configuration.

C8051F300/1/2/3/4/5

5.3.2. Tracking Modes

According to Table 5.1 on page 47, each ADC0 conversion must be preceded by a minimum tracking time for the converted result to be accurate. The AD0TM bit in register ADC0CN controls the ADC0 track-and-hold mode. In its default state, the ADC0 input is continuously tracked except when a conversion is in progress. When the AD0TM bit is logic 1, ADC0 operates in low-power track-and-hold mode. In this mode, each conversion is preceded by a tracking period of 3 SAR clocks (after the start-of-conversion signal). When the CNVSTR signal is used to initiate conversions in low-power tracking mode, ADC0 tracks only when CNVSTR is low; conversion begins on the rising edge of CNVSTR (see Figure 5.4). Tracking can also be disabled (shutdown) when the device is in low power standby or sleep modes. Low-power track-and-hold mode is also useful when AMUX or PGA settings are frequently changed, due to the settling time requirements described in [Section “5.3.3. Settling Time Requirements” on page 41](#).

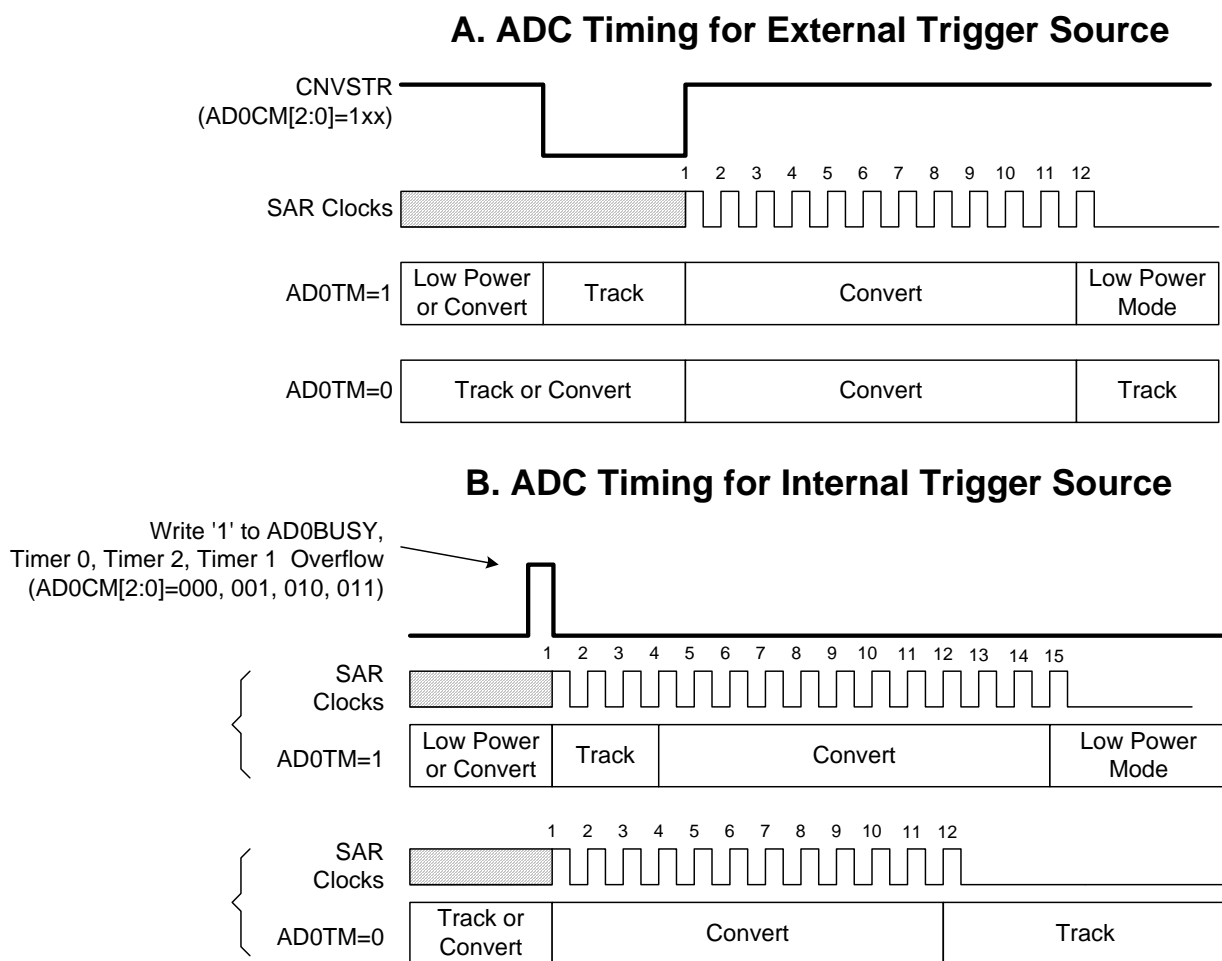


Figure 5.4. 8-Bit ADC Track and Conversion Example Timing

5.3.3. Settling Time Requirements

When the ADC0 input configuration is changed (i.e., a different AMUX0 or PGA selection is made), a minimum tracking time is required before an accurate conversion can be performed. This tracking time is determined by the AMUX0 resistance, the ADC0 sampling capacitance, any external source resistance, and the accuracy required for the conversion. Note that in low-power tracking mode, three SAR clocks are used for tracking at the start of every conversion. For most applications, these three SAR clocks will meet the minimum tracking time requirements.

Figure 5.5 shows the equivalent ADC0 input circuits for both Differential and Single-ended modes. Notice that the equivalent time constant for both input circuits is the same. The required ADC0 settling time for a given settling accuracy (SA) may be approximated by Equation 5.1. When measuring the Temperature Sensor output or V_{DD} with respect to GND, R_{TOTAL} reduces to R_{MUX} . See Table 5.1 for ADC0 minimum settling time (track/hold time) requirements.

$$t = \ln\left(\frac{2^n}{SA}\right) \times R_{TOTAL} C_{SAMPLE}$$

Equation 5.1. ADC0 Settling Time Requirements

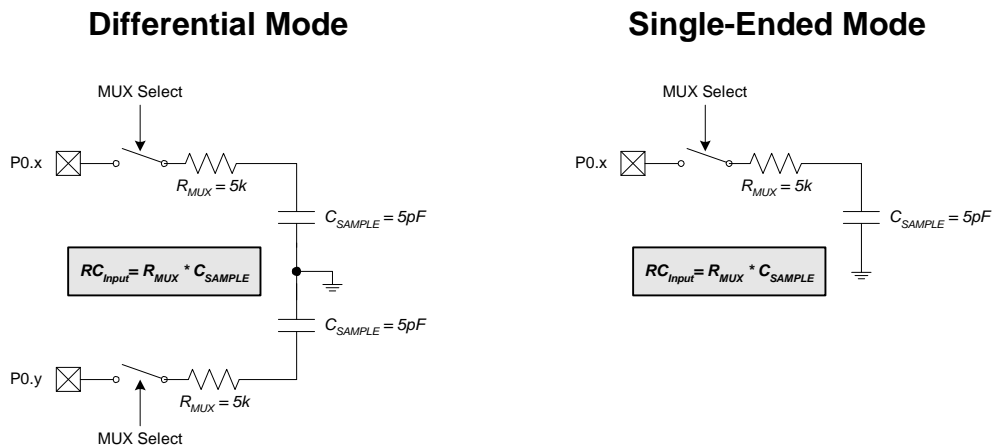
Where:

SA is the settling accuracy, given as a fraction of an LSB (for example, 0.25 to settle within 1/4 LSB)

t is the required settling time in seconds

R_{TOTAL} is the sum of the AMUX0 resistance and any external source resistance.

n is the ADC resolution in bits (8).



Note: When the PGA gain is set to 0.5, $C_{SAMPLE} = 3pF$

Figure 5.5. ADC0 Equivalent Input Circuits

C8051F300/1/2/3/4/5

SFR Definition 5.1. AMX0SL: AMUX0 Channel Select (C8051F300/2)

| | | | | | | | | |
|--------|--------|--------|--------|--------|--------|--------|--------|----------------------|
| R/W | R/W | R/W | R/W | R/W | R/W | R/W | R/W | Reset Value |
| AMX0N3 | AMX0N2 | AMX0N1 | AMX0N0 | AMX0P3 | AMX0P2 | AMX0P1 | AMX0P0 | 00000000 |
| Bit7 | Bit6 | Bit5 | Bit4 | Bit3 | Bit2 | Bit1 | Bit0 | SFR Address: 0xBB |

Bits7–4: AMX0N3–0: AMUX0 Negative Input Selection.

Note that when GND is selected as the Negative Input, ADC0 operates in Single-ended mode. For all other Negative Input selections, ADC0 operates in Differential mode.

0000–1000b: ADC0 Negative Input selected per the chart below.

| AMX0N3–0 | ADC0 Negative Input |
|----------|--------------------------------|
| 0000 | P0.0 |
| 0001 | P0.1 |
| 0010 | P0.2 |
| 0011 | P0.3 |
| 0100 | P0.4 |
| 0101 | P0.5 |
| 0110 | P0.6 |
| 0111 | P0.7 |
| 1xxx | GND (ADC in Single-Ended Mode) |

Bits3–0: AMX0P3–0: AMUX0 Positive Input Selection.

0000–1001b: ADC0 Positive Input selected per the chart below.

1010–1111b: RESERVED.

| AMX0P3–0 | ADC0 Positive Input |
|----------|---------------------|
| 0000 | P0.0 |
| 0001 | P0.1 |
| 0010 | P0.2 |
| 0011 | P0.3 |
| 0100 | P0.4 |
| 0101 | P0.5 |
| 0110 | P0.6 |
| 0111 | P0.7 |
| 1000 | Temperature Sensor |
| 1001 | V _{DD} |

SFR Definition 5.2. ADC0CF: ADC0 Configuration (C8051F300/2)

| R/W | R/W | R/W | R/W | R/W | R/W | R/W | R/W | Reset Value |
|--------|--------|--------|--------|--------|------|---------|---------|----------------------|
| AD0SC4 | AD0SC3 | AD0SC2 | AD0SC1 | AD0SC0 | — | AMP0GN1 | AMP0GN0 | 11111000 |
| Bit7 | Bit6 | Bit5 | Bit4 | Bit3 | Bit2 | Bit1 | Bit0 | SFR Address: 0xBC |

Bits7–3: AD0SC4–0: ADC0 SAR Conversion Clock Period Bits.
SAR Conversion clock is derived from system clock by the following equation, where *AD0SC* refers to the 5-bit value held in bits AD0SC4-0. SAR Conversion clock requirements are given in Table 5.1.

$$AD0SC = \frac{SYSCLK}{CLK_{SAR}} - 1$$

Bit2: UNUSED. Read = 0b; Write = don't care.
Bits1–0: AMP0GN1–0: ADC0 Internal Amplifier Gain (PGA).
00: Gain = 0.5
01: Gain = 1
10: Gain = 2
11: Gain = 4

SFR Definition 5.3. ADC0: ADC0 Data Word (C8051F300/2)

| R/W | R/W | R/W | R/W | R/W | R/W | R/W | R/W | Reset Value |
|------|------|------|------|------|------|------|------|----------------------|
| | | | | | | | | 00000000 |
| Bit7 | Bit6 | Bit5 | Bit4 | Bit3 | Bit2 | Bit1 | Bit0 | SFR Address: 0xBE |

Bits7–0: ADC0 Data Word.
ADC0 holds the output data byte from the last ADC0 conversion. When in Single-ended mode, ADC0 holds an 8-bit unsigned integer. When in Differential mode, ADC0 holds a 2's complement signed 8-bit integer.

C8051F300/1/2/3/4/5

SFR Definition 5.4. ADC0CN: ADC0 Control (C8051F300/2)

| R/W | R/W | R/W | R/W | R/W | R/W | R/W | R/W | Reset Value |
|-------|-------|--------|---------|---------|--------|--------|--------|--|
| AD0EN | AD0TM | AD0INT | AD0BUSY | AD0WINT | AD0CM2 | AD0CM1 | AD0CM0 | 00000000 |
| Bit7 | Bit6 | Bit5 | Bit4 | Bit3 | Bit2 | Bit1 | Bit0 | SFR Address: (bit addressable) 0xE8 |

Bit7: AD0EN: ADC0 Enable Bit.
0: ADC0 Disabled. ADC0 is in low-power shutdown.
1: ADC0 Enabled. ADC0 is active and ready for data conversions.

Bit6: AD0TM: ADC0 Track Mode Bit.
0: Normal Track Mode: When ADC0 is enabled, tracking is continuous unless a conversion is in progress.
1: Low-power Track Mode: Tracking Defined by AD0CM2-0 bits (see below).

Bit5: AD0INT: ADC0 Conversion Complete Interrupt Flag.
0: ADC0 has not completed a data conversion since the last time AD0INT was cleared.
1: ADC0 has completed a data conversion.

Bit4: AD0BUSY: ADC0 Busy Bit.
Read: Unused.
Write:
0: No Effect.
1: Initiates ADC0 Conversion if AD0CM2-0 = 000b

Bit3: AD0WINT: ADC0 Window Compare Interrupt Flag.
0: ADC0 Window Comparison Data match has not occurred since this flag was last cleared.
1: ADC0 Window Comparison Data match has occurred.

Bits2–0: AD0CM2-0: ADC0 Start of Conversion Mode Select.
When AD0TM = 0:
000: ADC0 conversion initiated on every write of '1' to AD0BUSY.
001: ADC0 conversion initiated on overflow of Timer 0.
010: ADC0 conversion initiated on overflow of Timer 2.
011: ADC0 conversion initiated on overflow of Timer 1.
1xx: ADC0 conversion initiated on rising edge of external CNVSTR.
When AD0TM = 1:
000: Tracking initiated on write of '1' to AD0BUSY and lasts 3 SAR clocks, followed by conversion.
001: Tracking initiated on overflow of Timer 0 and lasts 3 SAR clocks, followed by conversion.
010: Tracking initiated on overflow of Timer 2 and lasts 3 SAR clocks, followed by conversion.
011: Tracking initiated on overflow of Timer 1 and lasts 3 SAR clocks, followed by conversion.
1xx: ADC0 tracks only when CNVSTR input is logic low; conversion starts on rising CNVSTR edge.

5.4. Programmable Window Detector

The ADC Programmable Window Detector continuously compares the ADC0 output to user-programmed limits, and notifies the system when a desired condition is detected. This is especially effective in an interrupt-driven system, saving code space and CPU bandwidth while delivering faster system response times. The window detector interrupt flag (AD0WINT in register ADC0CN) can also be used in polled mode. The ADC0 Greater-Than (ADC0GT) and Less-Than (ADC0LT) registers hold the comparison values. Example comparisons for Single-ended and Differential modes are shown in Figure 5.6 and Figure 5.7, respectively. Notice that the window detector flag can be programmed to indicate when measured data is inside or outside of the user-programmed limits depending on the contents of the ADC0LT and ADC0GT registers.

5.4.1. Window Detector In Single-Ended Mode

Figure 5.6 shows two example window comparisons for Single-ended mode, with ADC0LT = 0x20 and ADC0GT = 0x10. Notice that in Single-ended mode, the codes vary from 0 to VREF x (255/256) and are represented as 8-bit unsigned integers. In the left example, an AD0WINT interrupt will be generated if the ADC0 conversion word (ADC0) is within the range defined by ADC0GT and ADC0LT (if $0x10 < ADC0 < 0x20$). In the right example, an AD0WINT interrupt will be generated if ADC0 is outside of the range defined by ADC0GT and ADC0LT (if $ADC0 < 0x10$ or $ADC0 > 0x20$).

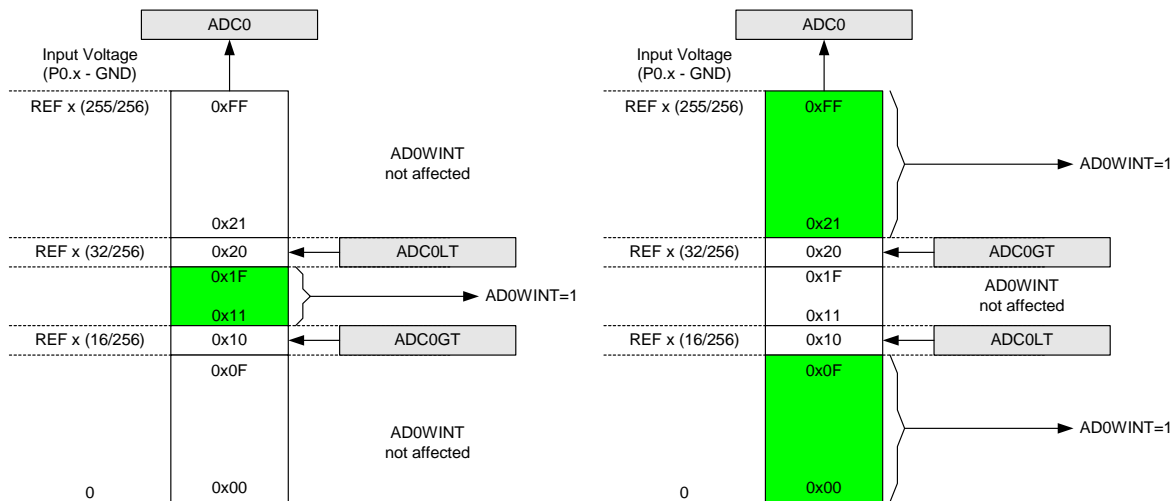


Figure 5.6. ADC Window Compare Examples, Single-Ended Mode

C8051F300/1/2/3/4/5

5.4.2. Window Detector In Differential Mode

Figure 5.7 shows two example window comparisons for differential mode, with ADC0LT = 0x10 (+16d) and ADC0GT = 0xFF (-1d). Notice that in Differential mode, the codes vary from -VREF to VREF x (127/128) and are represented as 8-bit 2's complement signed integers. In the left example, an AD0WINT interrupt will be generated if the ADC0 conversion word (ADC0L) is within the range defined by ADC0GT and ADC0LT (if 0xFF (-1d) < ADC0 < 0x10 (16d)). In the right example, an AD0WINT interrupt will be generated if ADC0 is outside of the range defined by ADC0GT and ADC0LT (if ADC0 < 0xFF (-1d) or ADC0 > 0x10 (+16d)).

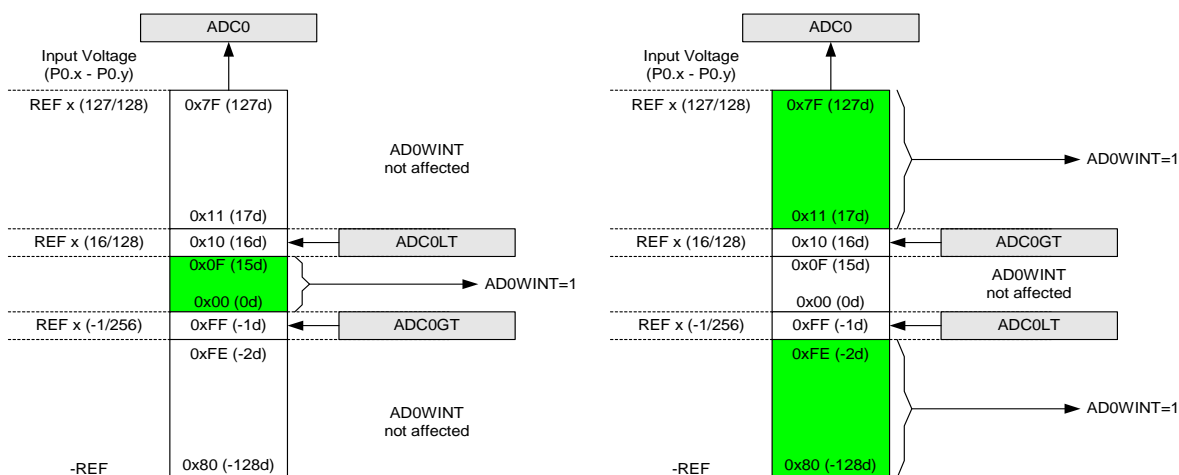


Figure 5.7. ADC Window Compare Examples, Differential Mode

SFR Definition 5.5. ADC0GT: ADC0 Greater-Than Data Byte (C8051F300/2)

| | | | | | | | | |
|---------------------------------------|------|------|------|------|------|------|------|----------------------|
| R/W | R/W | R/W | R/W | R/W | R/W | R/W | R/W | Reset Value |
| Bit7 | Bit6 | Bit5 | Bit4 | Bit3 | Bit2 | Bit1 | Bit0 | 11111111 |
| | | | | | | | | SFR Address: 0xC4 |
| Bits7-0: ADC0 Greater-Than Data Word. | | | | | | | | |

SFR Definition 5.6. ADC0LT: ADC0 Less-Than Data Byte (C8051F300/2)

| | | | | | | | | |
|------------------------------------|------|------|------|------|------|------|------|----------------------|
| R/W | R/W | R/W | R/W | R/W | R/W | R/W | R/W | Reset Value |
| Bit7 | Bit6 | Bit5 | Bit4 | Bit3 | Bit2 | Bit1 | Bit0 | 00000000 |
| | | | | | | | | SFR Address: 0xC6 |
| Bits7-0: ADC0 Less-Than Data Word. | | | | | | | | |

Table 5.1. ADC0 Electrical Characteristics

$V_{DD} = 3.0\text{ V}$, $V_{REF} = 2.40\text{ V}$ ($REFSL = 0$), PGA Gain = 1, -40 to $+85\text{ }^{\circ}\text{C}$ unless otherwise specified.

| Parameter | Conditions | Min | Typ | Max | Units |
|--|---------------------------------------|------|-------------------|-----------|----------------------------------|
| DC Accuracy | | | | | |
| Resolution | | 8 | | | bits |
| Integral Nonlinearity | | — | ± 0.5 | ± 1 | LSB |
| Differential Nonlinearity | Guaranteed Monotonic | — | ± 0.5 | ± 1 | LSB |
| Offset Error | | -5.0 | 0.5 | 5.0 | LSB |
| Full Scale Error | Differential mode | -5.0 | -1 | 5.0 | LSB |
| Dynamic Performance (10 kHz Sine-wave Differential Input, 1 dB below Full Scale, 500 ksps) | | | | | |
| Signal-to-Noise Plus Distortion | | 45 | 48 | — | dB |
| Total Harmonic Distortion | Up to the 5 th harmonic | — | -56 | — | dB |
| Spurious-Free Dynamic Range | | — | 58 | — | dB |
| Conversion Rate | | | | | |
| SAR Conversion Clock | | — | — | 6 | MHz |
| Conversion Time in SAR Clocks | | 11 | — | — | clocks |
| Track/Hold Acquisition Time | | 300 | — | — | ns |
| Throughput Rate | | — | — | 500 | ksps |
| Analog Inputs | | | | | |
| Input Voltage Range | | 0 | — | V_{REF} | V |
| Input Capacitance | | — | 5 | — | pF |
| Temperature Sensor | | | | | |
| Linearity ^{1,2,3} | | — | ± 0.5 | — | $^{\circ}\text{C}$ |
| Gain ^{1,2,3} | | — | 3350 ± 110 | — | $\mu\text{V} / ^{\circ}\text{C}$ |
| Offset ^{1,2,3} | (Temp = $0\text{ }^{\circ}\text{C}$) | — | 897 ± 31 | — | mV |
| Power Specifications | | | | | |
| Power Supply Current (V_{DD} supplied to ADC0) | Operating Mode, 500 ksps | — | 400 | 900 | μA |
| Power Supply Rejection | | — | ± 0.3 | — | mV/V |
| Notes: | | | | | |
| <ol style="list-style-type: none"> 1. Represents one standard deviation from the mean. 2. Measured with PGA Gain = 2. 3. Includes ADC offset, gain, and linearity variations. | | | | | |

C8051F300/1/2/3/4/5

NOTES:

6. Voltage Reference (C8051F300/2)

The voltage reference MUX on C8051F300/2 devices is configurable to use an externally connected voltage reference or the power supply voltage, V_{DD} (see Figure 6.1). The REFSL bit in the Reference Control register (REF0CN) selects the reference source. For an external source, REFSL should be set to '0'; For V_{DD} as the reference source, REFSL should be set to '1'.

The BIASE bit enables the internal voltage bias generator, which is used by the ADC, Temperature Sensor, and Internal Oscillator. This bit is forced to logic 1 when any of the aforementioned peripherals is enabled. The bias generator may be enabled manually by writing a '1' to the BIASE bit in register REF0CN; see SFR Definition 6.1 for REF0CN register details. The electrical specifications for the voltage reference circuit are given in Table 6.1.

Important Note About the VREF Input: Port pin P0.0 is used as the external VREF input. When using an external voltage reference, P0.0 should be configured as analog input and skipped by the Digital Crossbar. To configure P0.0 as analog input, set to '1' Bit0 in register P0MDIN. To configure the Crossbar to skip P0.0, set to '1' Bit0 in register XBR0. Refer to [Section "12. Port Input/Output" on page 103](#) for complete Port I/O configuration details. The external reference voltage must be within the range $0 \leq V_{REF} \leq V_{DD}$.

On C8051F300/2 devices, the temperature sensor connects to the highest order input of the ADC0 positive input multiplexer (see [Section "5.1. Analog Multiplexer and PGA" on page 36](#) for details). The TEMPE bit in register REF0CN enables/disables the temperature sensor. While disabled, the temperature sensor defaults to a high impedance state and any ADC0 measurements performed on the sensor result in meaningless data.

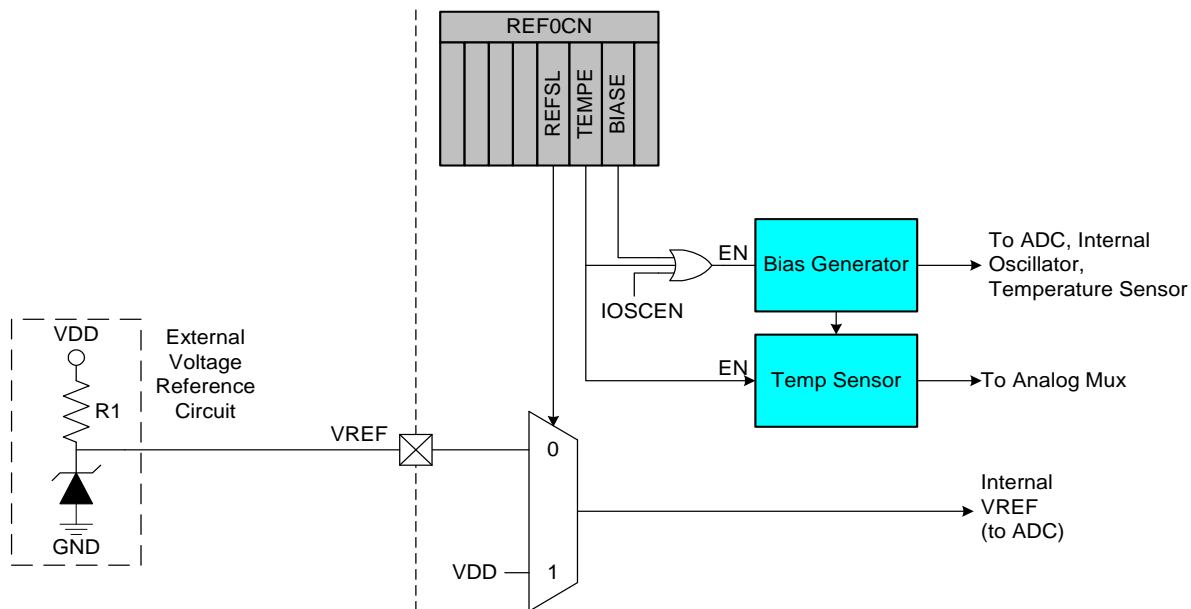


Figure 6.1. Voltage Reference Functional Block Diagram

C8051F300/1/2/3/4/5

SFR Definition 6.1. REF0CN: Reference Control Register

| R/W | R/W | R/W | R/W | R/W | R/W | R/W | R/W | Reset Value |
|------|------|------|------|-------|-------|-------|------|----------------------|
| — | — | — | — | REFSL | TEMPE | BIASE | — | 00000000 |
| Bit7 | Bit6 | Bit5 | Bit4 | Bit3 | Bit2 | Bit1 | Bit0 | SFR Address: 0xD1 |

Bits7–3: UNUSED. Read = 00000b; Write = don't care.

Bit3: REFSL: Voltage Reference Select.
This bit selects the source for the internal voltage reference.
0: VREF input pin used as voltage reference.
1: V_{DD} used as voltage reference.

Bit2: TEMPE: Temperature Sensor Enable Bit.
0: Internal Temperature Sensor off.
1: Internal Temperature Sensor on.

Bit1: BIASE: Internal Analog Bias Generator Enable Bit. (Must be '1' if using ADC).
0: Internal Bias Generator off.
1: Internal Bias Generator on.

Bit0: UNUSED. Read = 0b. Write = don't care.

Table 6.1. External Voltage Reference Circuit Electrical Characteristics

V_{DD} = 3.0 V; –40 to +85°C unless otherwise specified.

| Parameter | Conditions | Min | Typ | Max | Units |
|---------------------|---|-----|-----|-----------------|-------|
| Input Voltage Range | | 0 | — | V _{DD} | V |
| Input Current | Sample Rate = 500 ksps; VREF = 3.0 V | — | 12 | — | μA |

7. Comparator0

C8051F300/1/2/3/4/5 devices include an on-chip programmable voltage comparator, which is shown in Figure 7.1. Comparator0 offers programmable response time and hysteresis, an analog input multiplexer, and two outputs that are optionally available at the Port pins: a synchronous “latched” output (CP0), or an asynchronous “raw” output (CP0A). The asynchronous CP0A signal is available even when the system clock is not active. This allows Comparator0 to operate and generate an output with the device in STOP mode. When assigned to a Port pin, the Comparator0 output may be configured as open drain or push-pull (see [Section “12.2. Port I/O Initialization” on page 106](#)). Comparator0 may also be used as a reset source (see [Section “9.5. Comparator0 Reset” on page 85](#)).

The inputs for Comparator0 are selected in the CPT0MX register (SFR Definition 7.2). The CMX0P1-CMX0P0 bits select the Comparator0 positive input; the CMX0N1-CMX0N0 bits select the Comparator0 negative input.

Important Note About Comparator Inputs: The Port pins selected as comparator inputs should be configured as analog inputs in their associated Port configuration register, and configured to be skipped by the Crossbar (for details on Port configuration, see [Section “12.3. General Purpose Port I/O” on page 108](#)).

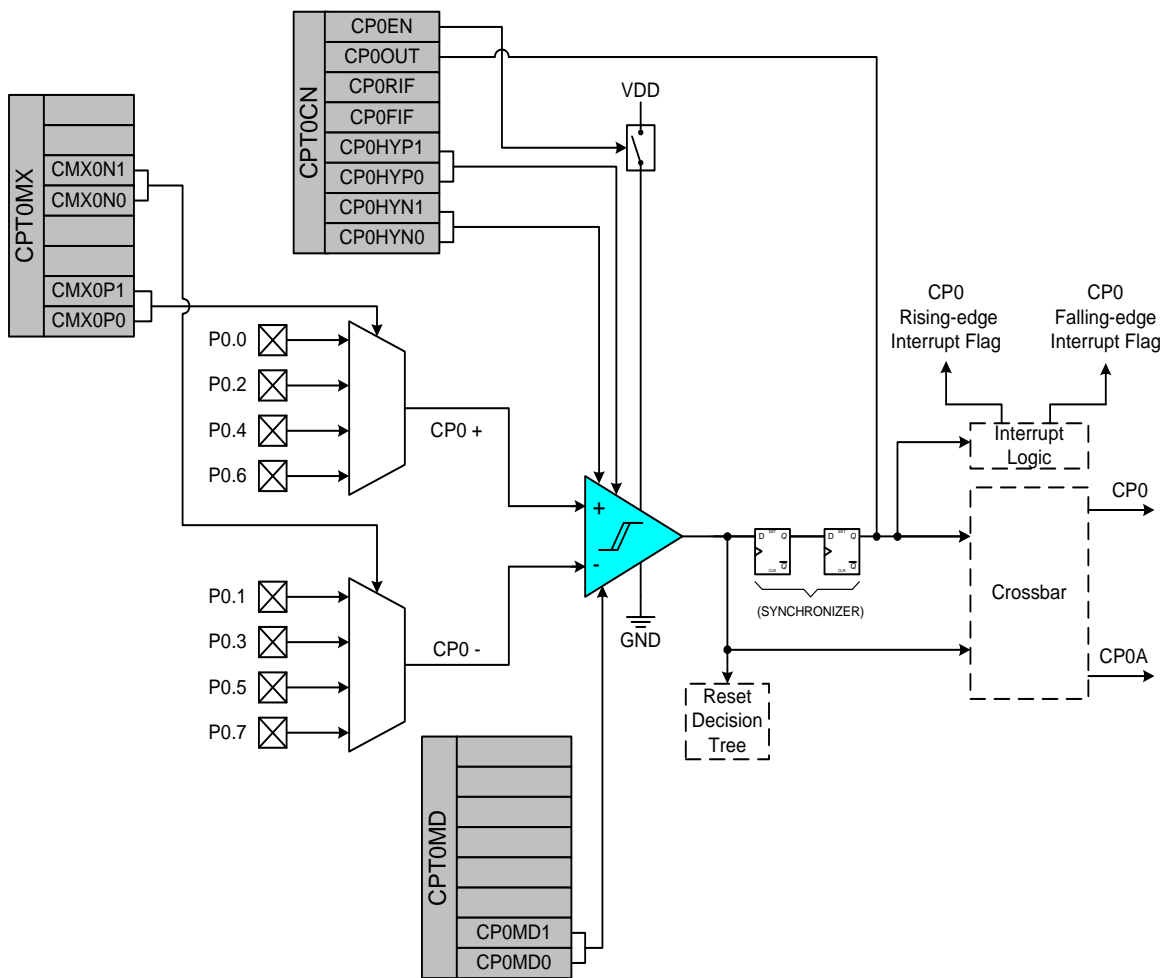


Figure 7.1. Comparator0 Functional Block Diagram

C8051F300/1/2/3/4/5

The output of Comparator0 can be polled in software, used as an interrupt source, and/or routed to a Port pin. When routed to a Port pin, the Comparator0 output is available asynchronous or synchronous to the system clock; the asynchronous output is available even in STOP mode (with no system clock active). When disabled, the Comparator0 output (if assigned to a Port I/O pin via the Crossbar) defaults to the logic low state, and its supply current falls to less than 100 nA. See [Section “12.1. Priority Crossbar Decoder” on page 104](#) for details on configuring the Comparator0 output via the digital Crossbar. Comparator0 inputs can be externally driven from -0.25 to $(V_{DD}) + 0.25$ V without damage or upset. The complete electrical specifications for Comparator0 are given in Table 7.1.

The Comparator0 response time may be configured in software via the CP0MD1-0 bits in register CPT0MD (see SFR Definition 7.3). Selecting a longer response time reduces the amount of power consumed by Comparator0. See Table 7.1 for complete timing and power consumption specifications.

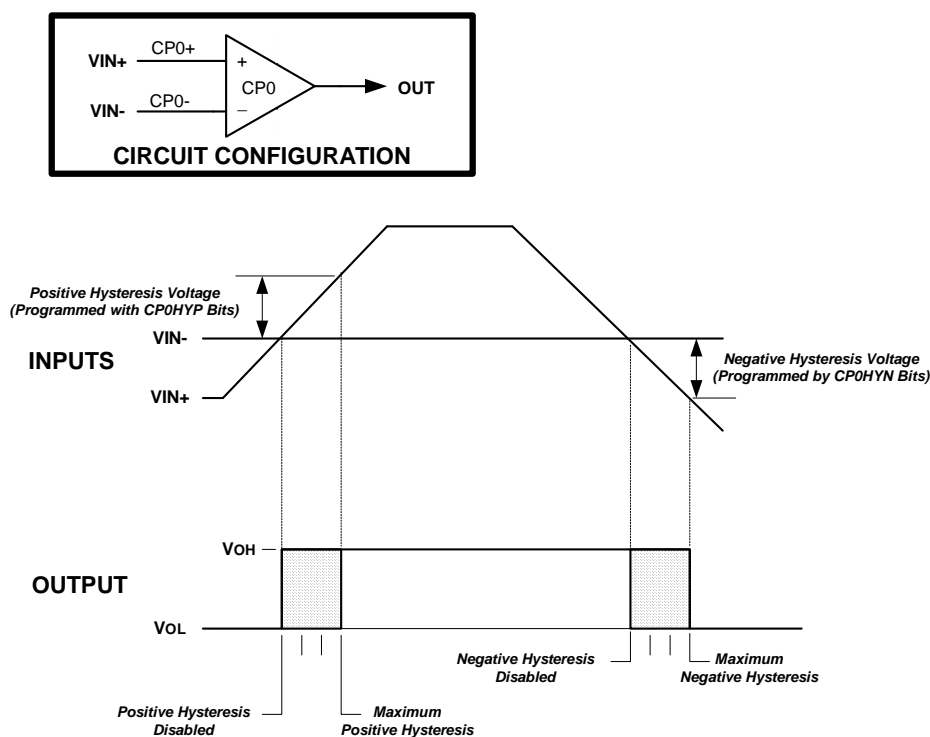


Figure 7.2. Comparator Hysteresis Plot

The hysteresis of Comparator0 is software-programmable via its Comparator0 Control register (CPT0CN). The user can program both the amount of hysteresis voltage (referred to the input voltage) and the positive and negative-going symmetry of this hysteresis around the threshold voltage.

The Comparator0 hysteresis is programmed using Bits3–0 in the Comparator0 Control Register CPT0CN (shown in SFR Definition 7.1). The amount of negative hysteresis voltage is determined by the settings of the CP0HYN bits. As shown in Figure 7.2, settings of 20, 10 or 5 mV of negative hysteresis can be programmed, or negative hysteresis can be disabled. In a similar way, the amount of positive hysteresis is determined by the setting the CP0HYP bits.

Comparator0 interrupts can be generated on both rising-edge and falling-edge output transitions. (For Interrupt enable and priority control, see [Section “8.3. Interrupt Handler” on page 72](#)). The CP0FIF flag is set to logic 1 upon a Comparator0 falling-edge interrupt, and the CP0RIF flag is set to logic 1 upon the Comparator0 rising-edge interrupt. Once set, these bits remain set until cleared by software. The output state of Comparator0 can be obtained at any time by reading the CP0OUT bit. Comparator0 is enabled by setting the CP0EN bit to logic 1, and is disabled by clearing this bit to logic 0.

SFR Definition 7.1. CPT0CN: Comparator0 Control

| R/W | R | R/W | R/W | R/W | R/W | R/W | R/W | Reset Value |
|---|--------|--------|--------|---------|---------|---------|---------|--|
| CP0EN | CP0OUT | CP0RIF | CP0FIF | CP0HYP1 | CP0HYP0 | CP0HYN1 | CP0HYN0 | 00000000 |
| Bit7 | Bit6 | Bit5 | Bit4 | Bit3 | Bit2 | Bit1 | Bit0 | SFR Address: (bit addressable) 0xF8 |
| <p>Bit7: CP0EN: Comparator0 Enable Bit. 0: Comparator0 Disabled. 1: Comparator0 Enabled.</p> <p>Bit6: CP0OUT: Comparator0 Output State Flag. 0: Voltage on CP0+ < CP0-. 1: Voltage on CP0+ > CP0-.</p> <p>Bit5: CP0RIF: Comparator0 Rising-Edge Interrupt Flag. 0: No Comparator0 Rising Edge Interrupt has occurred since this flag was last cleared. 1: Comparator0 Rising Edge Interrupt has occurred.</p> <p>Bit4: CP0FIF: Comparator0 Falling-Edge Interrupt Flag. 0: No Comparator0 Falling-Edge Interrupt has occurred since this flag was last cleared. 1: Comparator0 Falling-Edge Interrupt has occurred.</p> <p>Bits3–2: CP0HYP1–0: Comparator0 Positive Hysteresis Control Bits. 00: Positive Hysteresis Disabled. 01: Positive Hysteresis = 5 mV. 10: Positive Hysteresis = 10 mV. 11: Positive Hysteresis = 20 mV.</p> <p>Bits1–0: CP0HYN1–0: Comparator0 Negative Hysteresis Control Bits. 00: Negative Hysteresis Disabled. 01: Negative Hysteresis = 5 mV. 10: Negative Hysteresis = 10 mV. 11: Negative Hysteresis = 20 mV.</p> | | | | | | | | |

C8051F300/1/2/3/4/5

SFR Definition 7.2. CPT0MX: Comparator0 MUX Selection

| | | | | | | | | |
|------|------|--------|--------|------|------|--------|--------|----------------------|
| R/W | R/W | R/W | R/W | R/W | R/W | R/W | R/W | Reset Value |
| — | — | CMX0N1 | CMX0N0 | — | — | CMX0P1 | CMX0P0 | 00000000 |
| Bit7 | Bit6 | Bit5 | Bit4 | Bit3 | Bit2 | Bit1 | Bit0 | SFR Address: 0x9F |

Bits7–6: UNUSED. Read = 00b, Write = don't care.

Bits6–4: CMX0N1–CMX0N0: Comparator0 Negative Input MUX Select.

These bits select which Port pin is used as the Comparator0 negative input.

| CMX0N1 | CMX0N0 | Negative Input |
|--------|--------|----------------|
| 0 | 0 | P0.1 |
| 0 | 1 | P0.3 |
| 1 | 0 | P0.5 |
| 1 | 1 | P0.7 |

Bits3–2: UNUSED. Read = 00b, Write = don't care.

Bits1–0: CMX0P1–CMX0P0: Comparator0 Positive Input MUX Select.

These bits select which Port pin is used as the Comparator0 positive input.

| CMX0P1 | CMX0P0 | Positive Input |
|--------|--------|----------------|
| 0 | 0 | P0.0 |
| 0 | 1 | P0.2 |
| 1 | 0 | P0.4 |
| 1 | 1 | P0.6 |

SFR Definition 7.3. CPT0MD: Comparator0 Mode Selection

| | | | | | | | | |
|------|------|------|------|------|------|--------|--------|----------------------|
| R/W | R/W | R/W | R/W | R/W | R/W | R/W | R/W | Reset Value |
| — | — | — | — | — | — | CP0MD1 | CP0MD0 | 00000010 |
| Bit7 | Bit6 | Bit5 | Bit4 | Bit3 | Bit2 | Bit1 | Bit0 | SFR Address: 0x9D |

Bits7–2: UNUSED. Read = 000000b, Write = don't care.

Bits1–0: CP0MD1–CP0MD0: Comparator0 Mode Select.

These bits select the response time for Comparator0.

| Mode | CP0MD1 | CP0MD0 | CP0 Response Time (TYP) |
|------|--------|--------|--------------------------|
| 0 | 0 | 0 | Fastest Response Time |
| 1 | 0 | 1 | — |
| 2 | 1 | 0 | — |
| 3 | 1 | 1 | Lowest Power Consumption |

Table 7.1. Comparator0 Electrical Characteristics

$V_{DD} = 3.0\text{ V}$, -40 to $+85\text{ }^{\circ}\text{C}$ unless otherwise specified.

| Parameter | Conditions | Min | Typ | Max | Units |
|--|--------------------------------|-------|-------|-----------------|---------------|
| Response Time: Mode 0, $V_{cm}^* = 1.5\text{ V}$ | $CP0+ - CP0- = 100\text{ mV}$ | — | 100 | — | ns |
| | $CP0+ - CP0- = -100\text{ mV}$ | — | 250 | — | ns |
| Response Time: Mode 1, $V_{cm}^* = 1.5\text{ V}$ | $CP0+ - CP0- = 100\text{ mV}$ | — | 175 | — | ns |
| | $CP0+ - CP0- = -100\text{ mV}$ | — | 500 | — | ns |
| Response Time: Mode 2, $V_{cm}^* = 1.5\text{ V}$ | $CP0+ - CP0- = 100\text{ mV}$ | — | 320 | — | ns |
| | $CP0+ - CP0- = -100\text{ mV}$ | — | 1100 | — | ns |
| Response Time: Mode 3, $V_{cm}^* = 1.5\text{ V}$ | $CP0+ - CP0- = 100\text{ mV}$ | — | 1050 | — | ns |
| | $CP0+ - CP0- = -100\text{ mV}$ | — | 5200 | — | ns |
| Common-Mode Rejection Ratio | | — | 1.5 | 4 | mV/V |
| Positive Hysteresis 1 | $CP0HYP1-0 = 00$ | — | 0 | 1 | mV |
| Positive Hysteresis 2 | $CP0HYP1-0 = 01$ | 3 | 5 | 7 | mV |
| Positive Hysteresis 3 | $CP0HYP1-0 = 10$ | 7 | 10 | 15 | mV |
| Positive Hysteresis 4 | $CP0HYP1-0 = 11$ | 15 | 20 | 25 | mV |
| Negative Hysteresis 1 | $CP0HYN1-0 = 00$ | — | 0 | 1 | mV |
| Negative Hysteresis 2 | $CP0HYN1-0 = 01$ | 3 | 5 | 7 | mV |
| Negative Hysteresis 3 | $CP0HYN1-0 = 10$ | 7 | 10 | 15 | mV |
| Negative Hysteresis 4 | $CP0HYN1-0 = 11$ | 15 | 20 | 25 | mV |
| Inverting or Non-Inverting Input Voltage Range | | -0.25 | — | $V_{DD} + 0.25$ | V |
| Input Capacitance | | — | 7 | — | pF |
| Input Bias Current | | -5 | 0.001 | +5 | nA |
| Input Offset Voltage | | -5 | — | +5 | mV |
| Power Supply | | | | | |
| Power Supply Rejection | | — | 0.1 | 1 | mV/V |
| Power-up Time | | — | 10 | — | μs |
| Supply Current at DC | Mode 0 | — | 7.6 | — | μA |
| | Mode 1 | — | 3.2 | — | μA |
| | Mode 2 | — | 1.3 | — | μA |
| | Mode 3 | — | 0.4 | — | μA |
| *Note: V_{cm} is the common-mode voltage on $CP0+$ and $CP0-$. | | | | | |

C8051F300/1/2/3/4/5

NOTES:

8. CIP-51 Microcontroller

The MCU system controller core is the CIP-51 microcontroller. The CIP-51 is fully compatible with the MCS-51™ instruction set; standard 803x/805x assemblers and compilers can be used to develop software. The MCU family has a superset of all the peripherals included with a standard 8051. Included are three 16-bit counter/timers (see description in [Section 15](#)), an enhanced full-duplex UART (see description in [Section 14](#)), 256 bytes of internal RAM, 128 byte Special Function Register (SFR) address space ([Section 8.2.6](#)), and one byte-wide I/O Port (see description in [Section 12](#)). The CIP-51 also includes on-chip debug hardware (see description in [Section 17](#)), and interfaces directly with the analog and digital subsystems providing a complete data acquisition or control-system solution in a single integrated circuit.

The CIP-51 Microcontroller core implements the standard 8051 organization and peripherals as well as additional custom peripherals and functions to extend its capability (see Figure 8.1 for a block diagram). The CIP-51 includes the following features:

- Fully Compatible with MCS-51 Instruction Set
- 25 MIPS Peak Throughput with 25 MHz Clock
- 0 to 25 MHz Clock Frequency
- 256 Bytes of Internal RAM
- Byte-Wide I/O Port
- Extended Interrupt Handler
- Reset Input
- Power Management Modes
- On-chip Debug Logic
- Program and Data Memory Security

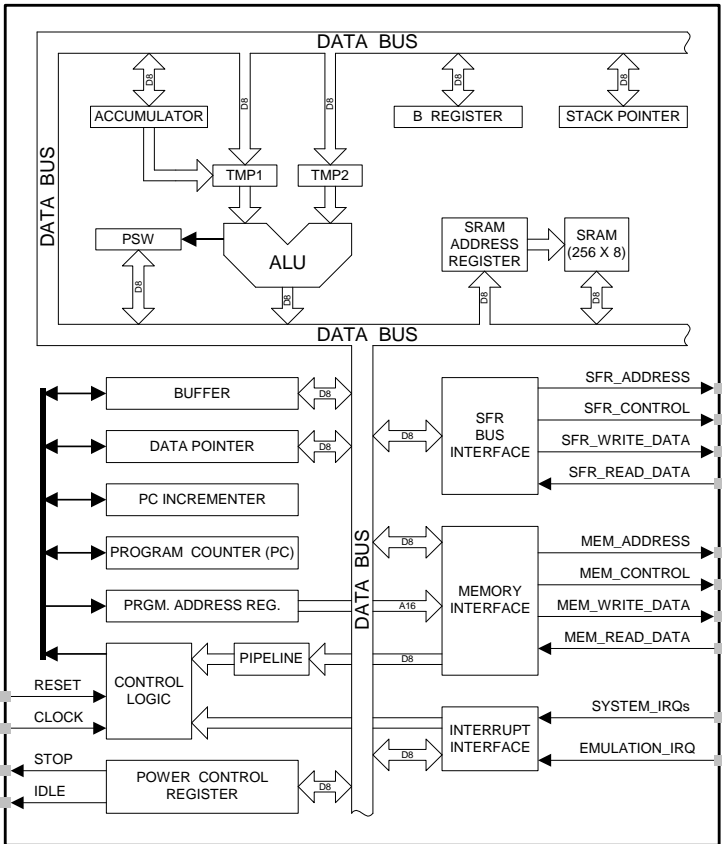


Figure 8.1. CIP-51 Block Diagram

C8051F300/1/2/3/4/5

Performance

The CIP-51 employs a pipelined architecture that greatly increases its instruction throughput over the standard 8051 architecture. In a standard 8051, all instructions except for MUL and DIV take 12 or 24 system clock cycles to execute, and usually have a maximum system clock of 12 MHz. By contrast, the CIP-51 core executes 70% of its instructions in one or two system clock cycles, with no instructions taking more than eight system clock cycles.

With the CIP-51's maximum system clock at 25 MHz, it has a peak throughput of 25 MIPS. The CIP-51 has a total of 109 instructions. The table below shows the total number of instructions that require each execution time.

| Clocks to Execute | 1 | 2 | 2/3 | 3 | 3/4 | 4 | 4/5 | 5 | 8 |
|------------------------|----|----|-----|----|-----|---|-----|---|---|
| Number of Instructions | 26 | 50 | 5 | 14 | 7 | 3 | 1 | 2 | 1 |

Programming and Debugging Support

In-system programming of the Flash program memory and communication with on-chip debug support logic is accomplished via the Silicon Labs 2-Wire Development Interface (C2). Note that the re-programmable Flash can also be read and changed a single byte at a time by the application software using the MOVC and MOVX instructions. This feature allows program memory to be used for non-volatile data storage as well as updating program code under software control.

The on-chip debug support logic facilitates full speed in-circuit debugging, allowing the setting of hardware breakpoints, starting, stopping and single stepping through program execution (including interrupt service routines), examination of the program's call stack, and reading/writing the contents of registers and memory. This method of on-chip debugging is completely non-intrusive, requiring no RAM, Stack, timers, or other on-chip resources. C2 details can be found in [Section "17. C2 Interface" on page 173](#).

The CIP-51 is supported by development tools from Silicon Labs and third party vendors. Silicon Labs provides an integrated development environment (IDE) including editor, macro assembler, debugger and programmer. The IDE's debugger and programmer interface to the CIP-51 via the C2 interface to provide fast and efficient in-system device programming and debugging. Third party macro assemblers and C compilers are also available.

8.1. Instruction Set

The instruction set of the CIP-51 System Controller is fully compatible with the standard MCS-51™ instruction set. Standard 8051 development tools can be used to develop software for the CIP-51. All CIP-51 instructions are the binary and functional equivalent of their MCS-51™ counterparts, including opcodes, addressing modes and effect on PSW flags. However, instruction timing is different than that of the standard 8051.

8.1.1. Instruction and CPU Timing

In many 8051 implementations, a distinction is made between machine cycles and clock cycles, with machine cycles varying from 2 to 12 clock cycles in length. However, the CIP-51 implementation is based solely on clock cycle timing. All instruction timings are specified in terms of clock cycles.

Due to the pipelined architecture of the CIP-51, most instructions execute in the same number of clock cycles as there are program bytes in the instruction. Conditional branch instructions take one less clock cycle to complete when the branch is not taken as opposed to when the branch is taken. Table 8.1 is the

CIP-51 Instruction Set Summary, which includes the mnemonic, number of bytes, and number of clock cycles for each instruction.

8.1.2. MOVX Instruction and Program Memory

The MOVX instruction is typically used to access external data memory (Note: the C8051F300/1/2/3/4/5 does not support external data or program memory). In the CIP-51, the MOVX instruction accesses the on-chip program memory space implemented as re-programmable Flash memory. This feature provides a mechanism for the CIP-51 to update program code and use the program memory space for non-volatile data storage. Refer to [Section “10. Flash Memory” on page 89](#) for further details.

Table 8.1. CIP-51 Instruction Set Summary

| Mnemonic | Description | Bytes | Clock Cycles |
|------------------------------|--|-------|--------------|
| Arithmetic Operations | | | |
| ADD A, Rn | Add register to A | 1 | 1 |
| ADD A, direct | Add direct byte to A | 2 | 2 |
| ADD A, @Ri | Add indirect RAM to A | 1 | 2 |
| ADD A, #data | Add immediate to A | 2 | 2 |
| ADDC A, Rn | Add register to A with carry | 1 | 1 |
| ADDC A, direct | Add direct byte to A with carry | 2 | 2 |
| ADDC A, @Ri | Add indirect RAM to A with carry | 1 | 2 |
| ADDC A, #data | Add immediate to A with carry | 2 | 2 |
| SUBB A, Rn | Subtract register from A with borrow | 1 | 1 |
| SUBB A, direct | Subtract direct byte from A with borrow | 2 | 2 |
| SUBB A, @Ri | Subtract indirect RAM from A with borrow | 1 | 2 |
| SUBB A, #data | Subtract immediate from A with borrow | 2 | 2 |
| INC A | Increment A | 1 | 1 |
| INC Rn | Increment register | 1 | 1 |
| INC direct | Increment direct byte | 2 | 2 |
| INC @Ri | Increment indirect RAM | 1 | 2 |
| DEC A | Decrement A | 1 | 1 |
| DEC Rn | Decrement register | 1 | 1 |
| DEC direct | Decrement direct byte | 2 | 2 |
| DEC @Ri | Decrement indirect RAM | 1 | 2 |
| INC DPTR | Increment Data Pointer | 1 | 1 |
| MUL AB | Multiply A and B | 1 | 4 |
| DIV AB | Divide A by B | 1 | 8 |
| DA A | Decimal adjust A | 1 | 1 |
| Logical Operations | | | |
| ANL A, Rn | AND Register to A | 1 | 1 |
| ANL A, direct | AND direct byte to A | 2 | 2 |
| ANL A, @Ri | AND indirect RAM to A | 1 | 2 |
| ANL A, #data | AND immediate to A | 2 | 2 |

C8051F300/1/2/3/4/5

Table 8.1. CIP-51 Instruction Set Summary (Continued)

| Mnemonic | Description | Bytes | Clock Cycles |
|----------------------|---------------------------------------|-------|--------------|
| ANL direct, A | AND A to direct byte | 2 | 2 |
| ANL direct, #data | AND immediate to direct byte | 3 | 3 |
| ORL A, Rn | OR Register to A | 1 | 1 |
| ORL A, direct | OR direct byte to A | 2 | 2 |
| ORL A, @Ri | OR indirect RAM to A | 1 | 2 |
| ORL A, #data | OR immediate to A | 2 | 2 |
| ORL direct, A | OR A to direct byte | 2 | 2 |
| ORL direct, #data | OR immediate to direct byte | 3 | 3 |
| XRL A, Rn | Exclusive-OR Register to A | 1 | 1 |
| XRL A, direct | Exclusive-OR direct byte to A | 2 | 2 |
| XRL A, @Ri | Exclusive-OR indirect RAM to A | 1 | 2 |
| XRL A, #data | Exclusive-OR immediate to A | 2 | 2 |
| XRL direct, A | Exclusive-OR A to direct byte | 2 | 2 |
| XRL direct, #data | Exclusive-OR immediate to direct byte | 3 | 3 |
| CLR A | Clear A | 1 | 1 |
| CPL A | Complement A | 1 | 1 |
| RL A | Rotate A left | 1 | 1 |
| RLC A | Rotate A left through Carry | 1 | 1 |
| RR A | Rotate A right | 1 | 1 |
| RRC A | Rotate A right through Carry | 1 | 1 |
| SWAP A | Swap nibbles of A | 1 | 1 |
| Data Transfer | | | |
| MOV A, Rn | Move Register to A | 1 | 1 |
| MOV A, direct | Move direct byte to A | 2 | 2 |
| MOV A, @Ri | Move indirect RAM to A | 1 | 2 |
| MOV A, #data | Move immediate to A | 2 | 2 |
| MOV Rn, A | Move A to Register | 1 | 1 |
| MOV Rn, direct | Move direct byte to Register | 2 | 2 |
| MOV Rn, #data | Move immediate to Register | 2 | 2 |
| MOV direct, A | Move A to direct byte | 2 | 2 |
| MOV direct, Rn | Move Register to direct byte | 2 | 2 |
| MOV direct, direct | Move direct byte to direct byte | 3 | 3 |
| MOV direct, @Ri | Move indirect RAM to direct byte | 2 | 2 |
| MOV direct, #data | Move immediate to direct byte | 3 | 3 |
| MOV @Ri, A | Move A to indirect RAM | 1 | 2 |
| MOV @Ri, direct | Move direct byte to indirect RAM | 2 | 2 |
| MOV @Ri, #data | Move immediate to indirect RAM | 2 | 2 |
| MOV DPTR, #data16 | Load DPTR with 16-bit constant | 3 | 3 |
| MOVC A, @A+DPTR | Move code byte relative DPTR to A | 1 | 3 |

Table 8.1. CIP-51 Instruction Set Summary (Continued)

| Mnemonic | Description | Bytes | Clock Cycles |
|-----------------------------|--|-------|--------------|
| MOVC A, @A+PC | Move code byte relative PC to A | 1 | 3 |
| MOVX A, @Ri | Move external data (8-bit address) to A | 1 | 3 |
| MOVX @Ri, A | Move A to external data (8-bit address) | 1 | 3 |
| MOVX A, @DPTR | Move external data (16-bit address) to A | 1 | 3 |
| MOVX @DPTR, A | Move A to external data (16-bit address) | 1 | 3 |
| PUSH direct | Push direct byte onto stack | 2 | 2 |
| POP direct | Pop direct byte from stack | 2 | 2 |
| XCH A, Rn | Exchange Register with A | 1 | 1 |
| XCH A, direct | Exchange direct byte with A | 2 | 2 |
| XCH A, @Ri | Exchange indirect RAM with A | 1 | 2 |
| XCHD A, @Ri | Exchange low nibble of indirect RAM with A | 1 | 2 |
| Boolean Manipulation | | | |
| CLR C | Clear Carry | 1 | 1 |
| CLR bit | Clear direct bit | 2 | 2 |
| SETB C | Set Carry | 1 | 1 |
| SETB bit | Set direct bit | 2 | 2 |
| CPL C | Complement Carry | 1 | 1 |
| CPL bit | Complement direct bit | 2 | 2 |
| ANL C, bit | AND direct bit to Carry | 2 | 2 |
| ANL C, /bit | AND complement of direct bit to Carry | 2 | 2 |
| ORL C, bit | OR direct bit to carry | 2 | 2 |
| ORL C, /bit | OR complement of direct bit to Carry | 2 | 2 |
| MOV C, bit | Move direct bit to Carry | 2 | 2 |
| MOV bit, C | Move Carry to direct bit | 2 | 2 |
| JC rel | Jump if Carry is set | 2 | 2/3 |
| JNC rel | Jump if Carry is not set | 2 | 2/3 |
| JB bit, rel | Jump if direct bit is set | 3 | 3/4 |
| JNB bit, rel | Jump if direct bit is not set | 3 | 3/4 |
| JBC bit, rel | Jump if direct bit is set and clear bit | 3 | 3/4 |
| Program Branching | | | |
| ACALL addr11 | Absolute subroutine call | 2 | 3 |
| LCALL addr16 | Long subroutine call | 3 | 4 |
| RET | Return from subroutine | 1 | 5 |
| RETI | Return from interrupt | 1 | 5 |
| AJMP addr11 | Absolute jump | 2 | 3 |
| LJMP addr16 | Long jump | 3 | 4 |
| SJMP rel | Short jump (relative address) | 2 | 3 |
| JMP @A+DPTR | Jump indirect relative to DPTR | 1 | 3 |
| JZ rel | Jump if A equals zero | 2 | 2/3 |

C8051F300/1/2/3/4/5

Table 8.1. CIP-51 Instruction Set Summary (Continued)

| Mnemonic | Description | Bytes | Clock Cycles |
|----------------------|---|-------|--------------|
| JNZ rel | Jump if A does not equal zero | 2 | 2/3 |
| CJNE A, direct, rel | Compare direct byte to A and jump if not equal | 3 | 3/4 |
| CJNE A, #data, rel | Compare immediate to A and jump if not equal | 3 | 3/4 |
| CJNE Rn, #data, rel | Compare immediate to Register and jump if not equal | 3 | 3/4 |
| CJNE @Ri, #data, rel | Compare immediate to indirect and jump if not equal | 3 | 4/5 |
| DJNZ Rn, rel | Decrement Register and jump if not zero | 2 | 2/3 |
| DJNZ direct, rel | Decrement direct byte and jump if not zero | 3 | 3/4 |
| NOP | No operation | 1 | 1 |

Notes on Registers, Operands and Addressing Modes:

Rn - Register R0-R7 of the currently selected register bank.

@Ri - Data RAM location addressed indirectly through R0 or R1.

rel - 8-bit, signed (two's complement) offset relative to the first byte of the following instruction. Used by SJMP and all conditional jumps.

direct - 8-bit internal data location's address. This could be a direct-access Data RAM location (0x00-0x7F) or an SFR (0x80-0xFF).

#data - 8-bit constant

#data16 - 16-bit constant

bit - Direct-accessed bit in Data RAM or SFR

addr11 - 11-bit destination address used by ACALL and AJMP. The destination must be within the same 2K-byte page of program memory as the first byte of the following instruction.

addr16 - 16-bit destination address used by LCALL and LJMP. The destination may be anywhere within the 8K-byte program memory space.

There is one unused opcode (0xA5) that performs the same function as NOP.

All mnemonics copyrighted © Intel Corporation 1980.

8.2. Memory Organization

The memory organization of the CIP-51 System Controller is similar to that of a standard 8051. There are two separate memory spaces: program memory and data memory. Program and data memory share the same address space but are accessed via different instruction types. The CIP-51 memory organization is shown in Figure 8.2 and Figure 8.3.

8.2.1. Program Memory

The CIP-51 core has a 64k-byte program memory space. The C8051F300/1/2/3 implements 8192 bytes of this program memory space as in-system, reprogrammable Flash memory, organized in a contiguous block from addresses 0x0000 to 0x1FFF. Note: 512 bytes (0x1E00 - 0x1FFF) of this memory are reserved for factory use and are not available for user program storage. The C8051F304 implements 4096 bytes of reprogrammable Flash program memory space; the C8051F305 implements 2048 bytes of reprogrammable Flash program memory space. Figure 8.2 shows the program memory maps for C8051F300/1/2/3/4/5 devices.

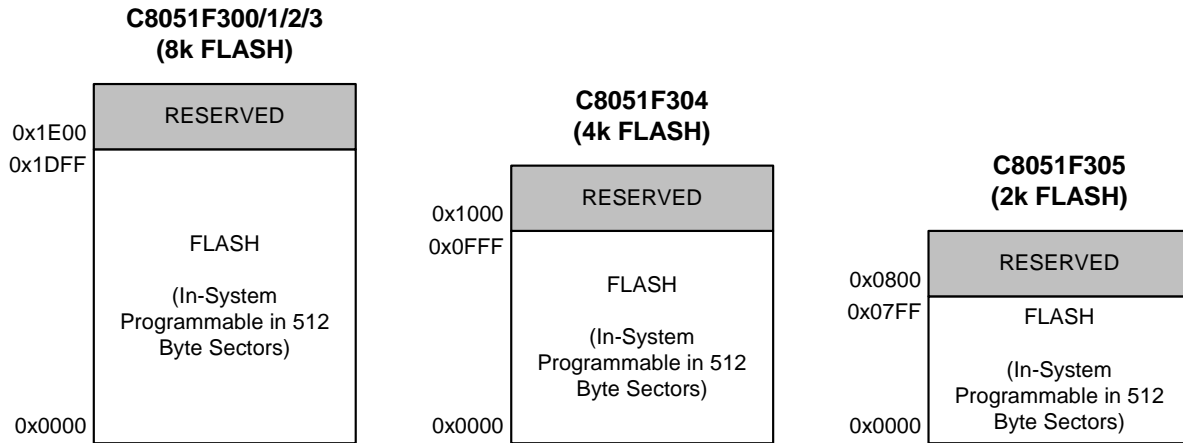


Figure 8.2. Program Memory Maps

Program memory is normally assumed to be read-only. However, the CIP-51 can write to program memory by setting the Program Store Write Enable bit (PSCTL.0) and using the MOVX instruction. This feature provides a mechanism for the CIP-51 to update program code and use the program memory space for non-volatile data storage. Refer to [Section “10. Flash Memory” on page 89](#) for further details.

C8051F300/1/2/3/4/5

8.2.2. Data Memory

The CIP-51 includes 256 bytes of internal RAM mapped into the data memory space from 0x00 through 0xFF. The lower 128 bytes of data memory are used for general purpose registers and scratch pad memory. Either direct or indirect addressing may be used to access the lower 128 bytes of data memory. Locations 0x00 through 0x1F are addressable as four banks of general purpose registers, each bank consisting of eight byte-wide registers. The next 16 bytes, locations 0x20 through 0x2F, may either be addressed as bytes or as 128 bit locations accessible with the direct addressing mode.

The upper 128 bytes of data memory are accessible only by indirect addressing. This region occupies the same address space as the Special Function Registers (SFR) but is physically separate from the SFR space. The addressing mode used by an instruction when accessing locations above 0x7F determines whether the CPU accesses the upper 128 bytes of data memory space or the SFRs. Instructions that use direct addressing will access the SFR space. Instructions using indirect addressing above 0x7F access the upper 128 bytes of data memory. Figure 8.3 illustrates the data memory organization of the CIP-51.

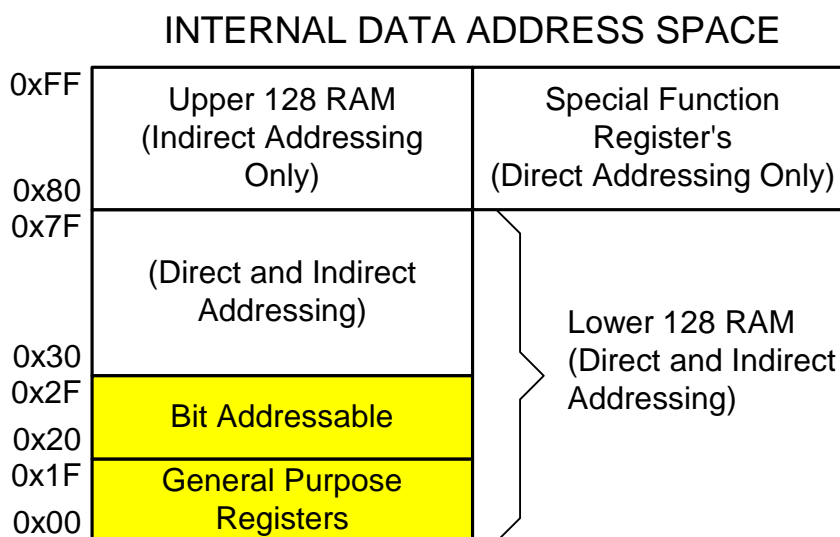


Figure 8.3. Data Memory Map

8.2.3. General Purpose Registers

The lower 32 bytes of data memory, locations 0x00 through 0x1F, may be addressed as four banks of general-purpose registers. Each bank consists of eight byte-wide registers designated R0 through R7. Only one of these banks may be enabled at a time. Two bits in the program status word, RS0 (PSW.3) and RS1 (PSW.4), select the active register bank (see description of the PSW in SFR Definition 8.4). This allows fast context switching when entering subroutines and interrupt service routines. Indirect addressing modes use registers R0 and R1 as index registers.

8.2.4. Bit Addressable Locations

In addition to direct access to data memory organized as bytes, the sixteen data memory locations at 0x20 through 0x2F are also accessible as 128 individually addressable bits. Each bit has a bit address from 0x00 to 0x7F. Bit 0 of the byte at 0x20 has bit address 0x00 while bit 7 of the byte at 0x20 has bit address 0x07. Bit 7 of the byte at 0x2F has bit address 0x7F. A bit access is distinguished from a full byte access by the type of instruction used (bit source or destination operands as opposed to a byte source or destination).

The MCS-51™ assembly language allows an alternate notation for bit addressing of the form XX.B where XX is the byte address and B is the bit position within the byte. For example, the instruction:

```
MOV    C, 22.3h
```

moves the Boolean value at 0x13 (bit 3 of the byte at location 0x22) into the Carry flag.

8.2.5. Stack

A programmer's stack can be located anywhere in the 256-byte data memory. The stack area is designated using the Stack Pointer (SP, 0x81) SFR. The SP will point to the last location used. The next value pushed on the stack is placed at SP+1 and then SP is incremented. A reset initializes the stack pointer to location 0x07. Therefore, the first value pushed on the stack is placed at location 0x08, which is also the first register (R0) of register bank 1. Thus, if more than one register bank is to be used, the SP should be initialized to a location in the data memory not being used for data storage. The stack depth can extend up to 256 bytes.

8.2.6. Special Function Registers

The direct-access data memory locations from 0x80 to 0xFF constitute the special function registers (SFRs). The SFRs provide control and data exchange with the CIP-51's resources and peripherals. The CIP-51 duplicates the SFRs found in a typical 8051 implementation as well as implementing additional SFRs used to configure and access the subsystems unique to the MCU. This allows the addition of new functionality while retaining compatibility with the MCS-51™ instruction set. Table 8.2 lists the SFRs implemented in the CIP-51 System Controller.

The SFR registers are accessed anytime the direct addressing mode is used to access memory locations from 0x80 to 0xFF. SFRs with addresses ending in 0x0 or 0x8 (e.g. P0, TCON, SCON0, IE, etc.) are bit-addressable as well as byte-addressable. All other SFRs are byte-addressable only. Unoccupied addresses in the SFR space are reserved for future use. Accessing these areas will have an indeterminate effect and should be avoided. Refer to the corresponding pages of the datasheet, as indicated in Table 8.3, for a detailed description of each register.

C8051F300/1/2/3/4/5

Table 8.2. Special Function Register (SFR) Memory Map

| | | | | | | | | |
|----|---------------------------|----------|----------|----------|----------|--------|--------|--------|
| F8 | CPT0CN | PCA0L | PCA0H | PCA0CPL0 | PCA0CPH0 | | | |
| F0 | B | P0MDIN | | | | | EIP1 | |
| E8 | ADC0CN | PCA0CPL1 | PCA0CPH1 | PCA0CPL2 | PCA0CPH2 | | | RSTSRC |
| E0 | ACC | XBR0 | XBR1 | XBR2 | IT01CF | | EIE1 | |
| D8 | PCA0CN | PCA0MD | PCA0CPM0 | PCA0CPM1 | PCA0CPM2 | | | |
| D0 | PSW | REF0CN | | | | | | |
| C8 | TMR2CN | | TMR2RLL | TMR2RLH | TMR2L | TMR2H | | |
| C0 | SMB0CN | SMB0CF | SMB0DAT | | ADC0GT | | ADC0LT | |
| B8 | IP | | | AMX0SL | ADC0CF | | ADC0 | |
| B0 | | OSCXCN | OSCICN | OSCICL | | | FLSCL | FLKEY |
| A8 | IE | | | | | | | |
| A0 | | | | | P0MDOUT | | | |
| 98 | SCON0 | SBUF0 | | | | CPT0MD | | CPT0MX |
| 90 | | | | | | | | |
| 88 | TCON | TMOD | TL0 | TL1 | TH0 | TH1 | CKCON | PSCTL |
| 80 | P0 | SP | DPL | DPH | | | | PCON |
| | 0(8) (bit addressable) | 1(9) | 2(A) | 3(B) | 4(C) | 5(D) | 6(E) | 7(F) |

Table 8.3. Special Function Registers*

| Register | Address | Description | Page No. |
|----------|---------|---------------------------------|----------|
| ACC | 0xE0 | Accumulator | 71 |
| ADC0CF | 0xBC | ADC0 Configuration | 43 |
| ADC0CN | 0xE8 | ADC0 Control | 44 |
| ADC0GT | 0xC4 | ADC0 Greater-Than Compare Word | 46 |
| ADC0LT | 0xC6 | ADC0 Less-Than Compare Word | 46 |
| ADC0 | 0xBE | ADC0 Data Word | 43 |
| AMX0SL | 0xBB | ADC0 Multiplexer Channel Select | 42 |
| B | 0xF0 | B Register | 71 |
| CKCON | 0x8E | Clock Control | 149 |
| CPT0CN | 0xF8 | Comparator0 Control | 53 |
| CPT0MD | 0x9D | Comparator0 Mode Selection | 54 |
| CPT0MX | 0x9F | Comparator0 MUX Selection | 54 |
| DPH | 0x83 | Data Pointer High | 69 |
| DPL | 0x82 | Data Pointer Low | 68 |
| EIE1 | 0xE6 | Extended Interrupt Enable 1 | 77 |
| EIP1 | 0xF6 | External Interrupt Priority 1 | 78 |
| FLKEY | 0xB7 | Flash Lock and Key | 93 |

*Note: SFRs are listed in alphabetical order. All undefined SFR locations are reserved

Table 8.3. Special Function Registers* (Continued)

| Register | Address | Description | Page No. |
|----------|---------|-----------------------------------|----------|
| FLSCL | 0xB6 | Flash Scale | 93 |
| IE | 0xA8 | Interrupt Enable | 75 |
| IP | 0xB8 | Interrupt Priority | 76 |
| IT01CF | 0xE4 | INT0/INT1 Configuration Register | 79 |
| OSCICL | 0xB3 | Internal Oscillator Calibration | 98 |
| OSCICN | 0xB2 | Internal Oscillator Control | 98 |
| OSXCXCN | 0xB1 | External Oscillator Control | 100 |
| P0 | 0x80 | Port 0 Latch | 109 |
| P0MDIN | 0xF1 | Port 0 Input Mode Configuration | 109 |
| P0MDOUT | 0xA4 | Port 0 Output Mode Configuration | 110 |
| PCA0CN | 0xD8 | PCA Control | 167 |
| PCA0MD | 0xD9 | PCA Mode | 168 |
| PCA0CPH0 | 0xFC | PCA Capture 0 High | 171 |
| PCA0CPH1 | 0xEA | PCA Capture 1 High | 171 |
| PCA0CPH2 | 0xEC | PCA Capture 2 High | 171 |
| PCA0CPL0 | 0xFB | PCA Capture 0 Low | 171 |
| PCA0CPL1 | 0xE9 | PCA Capture 1 Low | 171 |
| PCA0CPL2 | 0xEB | PCA Capture 2 Low | 171 |
| PCA0CPM0 | 0xDA | PCA Module 0 Mode Register | 169 |
| PCA0CPM1 | 0xDB | PCA Module 1 Mode Register | 169 |
| PCA0CPM2 | 0xDC | PCA Module 2 Mode Register | 169 |
| PCA0H | 0xFA | PCA Counter High | 170 |
| PCA0L | 0xF9 | PCA Counter Low | 170 |
| PCON | 0x87 | Power Control | 81 |
| PSCTL | 0x8F | Program Store R/W Control | 92 |
| PSW | 0xD0 | Program Status Word | 70 |
| REF0CN | 0xD1 | Voltage Reference Control | 49 |
| RSTSRC | 0xEF | Reset Source Configuration/Status | 87 |
| SBUF0 | 0x99 | UART 0 Data Buffer | 137 |
| SCON0 | 0x98 | UART 0 Control | 136 |
| SMB0CF | 0xC1 | SMBus Configuration | 118 |
| SMB0CN | 0xC0 | SMBus Control | 120 |
| SMB0DAT | 0xC2 | SMBus Data | 122 |
| SP | 0x81 | Stack Pointer | 69 |
| TMR2CN | 0xC8 | Timer/Counter 2 Control | 154 |
| TCON | 0x88 | Timer/Counter Control | 147 |
| TH0 | 0x8C | Timer/Counter 0 High | 150 |

***Note:** SFRs are listed in alphabetical order. All undefined SFR locations are reserved

C8051F300/1/2/3/4/5

Table 8.3. Special Function Registers* (Continued)

| Register | Address | Description | Page No. |
|--|---------|-----------------------------|----------|
| TH1 | 0x8D | Timer/Counter 1 High | 150 |
| TL0 | 0x8A | Timer/Counter 0 Low | 150 |
| TL1 | 0x8B | Timer/Counter 1 Low | 150 |
| TMOD | 0x89 | Timer/Counter Mode | 148 |
| TMR2RLH | 0xCB | Timer/Counter 2 Reload High | 154 |
| TMR2RLL | 0xCA | Timer/Counter 2 Reload Low | 154 |
| TMR2H | 0xCD | Timer/Counter 2 High | 154 |
| TMR2L | 0xCC | Timer/Counter 2 Low | 154 |
| XBR0 | 0xE1 | Port I/O Crossbar Control 0 | 107 |
| XBR1 | 0xE2 | Port I/O Crossbar Control 1 | 107 |
| XBR2 | 0xE3 | Port I/O Crossbar Control 2 | 108 |
| 0x97, 0xAE, 0xAF, 0xB4, 0xB6, 0xBF, 0xCE, 0xD2, 0xD3, 0xD4, 0xD5, 0xD6, 0xD7, 0xDD, 0xDE, 0xDF, 0xF5 | | Reserved | |
| *Note: SFRs are listed in alphabetical order. All undefined SFR locations are reserved | | | |

8.2.7. Register Descriptions

Following are descriptions of SFRs related to the operation of the CIP-51 System Controller. Reserved bits should not be set to logic 1. Future product versions may use these bits to implement new features in which case the reset value of the bit will be logic 0, selecting the feature's default state. Detailed descriptions of the remaining SFRs are included in the sections of the datasheet associated with their corresponding system function.

SFR Definition 8.1. DPL: Data Pointer Low Byte

| | | | | | | | | |
|---|------|------|------|------|------|------|------|----------------------|
| R/W | R/W | R/W | R/W | R/W | R/W | R/W | R/W | Reset Value |
| | | | | | | | | 00000000 |
| Bit7 | Bit6 | Bit5 | Bit4 | Bit3 | Bit2 | Bit1 | Bit0 | SFR Address: 0x82 |
| <p>Bits7–0: DPL: Data Pointer Low. The DPL register is the low byte of the 16-bit DPTR. DPTR is used to access indirectly addressed Flash memory.</p> | | | | | | | | |

SFR Definition 8.2. DPH: Data Pointer High Byte

| | | | | | | | | |
|------|------|------|------|------|------|------|------|----------------------|
| R/W | R/W | R/W | R/W | R/W | R/W | R/W | R/W | Reset Value |
| | | | | | | | | 00000000 |
| Bit7 | Bit6 | Bit5 | Bit4 | Bit3 | Bit2 | Bit1 | Bit0 | SFR Address: 0x83 |

Bits7–0: DPH: Data Pointer High.
The DPH register is the high byte of the 16-bit DPTR. DPTR is used to access indirectly addressed Flash memory.

SFR Definition 8.3. SP: Stack Pointer

| | | | | | | | | |
|------|------|------|------|------|------|------|------|----------------------|
| R/W | R/W | R/W | R/W | R/W | R/W | R/W | R/W | Reset Value |
| | | | | | | | | 00000111 |
| Bit7 | Bit6 | Bit5 | Bit4 | Bit3 | Bit2 | Bit1 | Bit0 | SFR Address: 0x81 |

Bits7–0: SP: Stack Pointer.
The Stack Pointer holds the location of the top of the stack. The stack pointer is incremented before every PUSH operation. The SP register defaults to 0x07 after reset.

C8051F300/1/2/3/4/5

SFR Definition 8.4. PSW: Program Status Word

| | | | | | | | | |
|------|------|------|------|------|------|------|--------|--|
| R/W | R/W | R/W | R/W | R/W | R/W | R/W | R | Reset Value |
| CY | AC | F0 | RS1 | RS0 | OV | F1 | PARITY | 00000000 |
| Bit7 | Bit6 | Bit5 | Bit4 | Bit3 | Bit2 | Bit1 | Bit0 | SFR Address: (bit addressable) 0xD0 |

- Bit7:** CY: Carry Flag.
This bit is set when the last arithmetic operation resulted in a carry (addition) or a borrow (subtraction). It is cleared to logic 0 by all other arithmetic operations.
- Bit6:** AC: Auxiliary Carry Flag
This bit is set when the last arithmetic operation resulted in a carry into (addition) or a borrow from (subtraction) the high order nibble. It is cleared to logic 0 by all other arithmetic operations.
- Bit5:** F0: User Flag 0.
This is a bit-addressable, general purpose flag for use under software control.
- Bits4–3:** RS1-RS0: Register Bank Select.
These bits select which register bank is used during register accesses.

| RS1 | RS0 | Register Bank | Address |
|-----|-----|---------------|-----------|
| 0 | 0 | 0 | 0x00–0x07 |
| 0 | 1 | 1 | 0x08–0x0F |
| 1 | 0 | 2 | 0x10–0x17 |
| 1 | 1 | 3 | 0x18–0x1F |

- Bit2:** OV: Overflow Flag.
This bit is set to 1 under the following circumstances:
- An ADD, ADDC, or SUBB instruction causes a sign-change overflow.
 - A MUL instruction results in an overflow (result is greater than 255).
 - A DIV instruction causes a divide-by-zero condition.
- The OV bit is cleared to 0 by the ADD, ADDC, SUBB, MUL, and DIV instructions in all other cases.
- Bit1:** F1: User Flag 1.
This is a bit-addressable, general purpose flag for use under software control.
- Bit0:** PARITY: Parity Flag.
This bit is set to logic 1 if the sum of the eight bits in the accumulator is odd and cleared if the sum is even.

SFR Definition 8.5. ACC: Accumulator

| R/W | R/W | R/W | R/W | R/W | R/W | R/W | R/W | Reset Value |
|-------|-------|-------|-------|-------|-------|-------|-------|--|
| ACC.7 | ACC.6 | ACC.5 | ACC.4 | ACC.3 | ACC.2 | ACC.1 | ACC.0 | 00000000 |
| Bit7 | Bit6 | Bit5 | Bit4 | Bit3 | Bit2 | Bit1 | Bit0 | SFR Address: (bit addressable) 0xE0 |

Bits7–0: ACC: Accumulator.
This register is the accumulator for arithmetic operations.

SFR Definition 8.6. B: B Register

| R/W | R/W | R/W | R/W | R/W | R/W | R/W | R/W | Reset Value |
|------|------|------|------|------|------|------|------|--|
| B.7 | B.6 | B.5 | B.4 | B.3 | B.2 | B.1 | B.0 | 00000000 |
| Bit7 | Bit6 | Bit5 | Bit4 | Bit3 | Bit2 | Bit1 | Bit0 | SFR Address: (bit addressable) 0xF0 |

Bits7–0: B: B Register.
This register serves as a second accumulator for certain arithmetic operations.

8.3. Interrupt Handler

The CIP-51 includes an extended interrupt system supporting a total of 12 interrupt sources with two priority levels. The allocation of interrupt sources between on-chip peripherals and external inputs pins varies according to the specific version of the device. Each interrupt source has one or more associated interrupt-pending flag(s) located in an SFR. When a peripheral or external source meets a valid interrupt condition, the associated interrupt-pending flag is set to logic 1.

If interrupts are enabled for the source, an interrupt request is generated when the interrupt-pending flag is set. As soon as execution of the current instruction is complete, the CPU generates an LCALL to a predetermined address to begin execution of an interrupt service routine (ISR). Each ISR must end with an RETI instruction, which returns program execution to the next instruction that would have been executed if the interrupt request had not occurred. If interrupts are not enabled, the interrupt-pending flag is ignored by the hardware and program execution continues as normal. (The interrupt-pending flag is set to logic 1 regardless of the interrupt's enable/disable state.)

Each interrupt source can be individually enabled or disabled through the use of an associated interrupt enable bit in an SFR (IE-EIE1). However, interrupts must first be globally enabled by setting the EA bit (IE.7) to logic 1 before the individual interrupt enables are recognized. Setting the EA bit to logic 0 disables all interrupt sources regardless of the individual interrupt-enable settings.

Note: Any instruction that clears the EA bit should be immediately followed by an instruction that has two or more opcode bytes. For example:

```
// in 'C':
EA = 0;    // clear EA bit
EA = 0;    // ... followed by another 2-byte opcode

; in assembly:
CLR EA    ; clear EA bit
CLR EA    ; ... followed by another 2-byte opcode
```

If an interrupt is posted during the execution phase of a "CLR EA" opcode (or any instruction which clears the EA bit), and the instruction is followed by a single-cycle instruction, the interrupt may be taken. However, a read of the EA bit will return a '0' inside the interrupt service routine. When the "CLR EA" opcode is followed by a multi-cycle instruction, the interrupt will not be taken.

Some interrupt-pending flags are automatically cleared by the hardware when the CPU vectors to the ISR. However, most are not cleared by the hardware and must be cleared by software before returning from the ISR. If an interrupt-pending flag remains set after the CPU completes the return-from-interrupt (RETI) instruction, a new interrupt request will be generated immediately and the CPU will reenter the ISR after the completion of the next instruction.

8.3.1. MCU Interrupt Sources and Vectors

The MCUs support 12 interrupt sources. Software can simulate an interrupt by setting any interrupt-pending flag to logic 1. If interrupts are enabled for the flag, an interrupt request will be generated and the CPU will vector to the ISR address associated with the interrupt-pending flag. MCU interrupt sources, associated vector addresses, priority order and control bits are summarized in Table 8.4 on page 74. Refer to the datasheet section associated with a particular on-chip peripheral for information regarding valid interrupt conditions for the peripheral and the behavior of its interrupt-pending flag(s).

8.3.2. External Interrupts

The /INT0 and /INT1 external interrupt sources are configurable as active high or low, edge or level sensitive. The IN0PL (/INT0 Polarity) and IN1PL (/INT1 Polarity) bits in the IT01CF register select active high or active low; the IT0 and IT1 bits in TCON ([Section “15.1. Timer 0 and Timer 1” on page 143](#)) select level or edge sensitive. The table below lists the possible configurations.

| IT0 | IN0PL | /INT0 Interrupt |
|-----|-------|------------------------------|
| 1 | 0 | Active low, edge sensitive |
| 1 | 1 | Active high, edge sensitive |
| 0 | 0 | Active low, level sensitive |
| 0 | 1 | Active high, level sensitive |

| IT1 | IN1PL | /INT1 Interrupt |
|-----|-------|------------------------------|
| 1 | 0 | Active low, edge sensitive |
| 1 | 1 | Active high, edge sensitive |
| 0 | 0 | Active low, level sensitive |
| 0 | 1 | Active high, level sensitive |

/INT0 and /INT1 are assigned to Port pins as defined in the IT01CF register (see SFR Definition 8.11). Note that /INT0 and /INT1 Port pin assignments are independent of any Crossbar assignments. /INT0 and /INT1 will monitor their assigned Port pins without disturbing the peripheral that was assigned the Port pin via the Crossbar. To assign a Port pin only to /INT0 and/or /INT1, configure the Crossbar to skip the selected pin(s). This is accomplished by setting the associated bit in register XBR0 (see [Section “12.1. Priority Crossbar Decoder” on page 104](#) for complete details on configuring the Crossbar).

IE0 (TCON.1) and IE1 (TCON.3) serve as the interrupt-pending flags for the /INT0 and /INT1 external interrupts, respectively. If an /INT0 or /INT1 external interrupt is configured as edge-sensitive, the corresponding interrupt-pending flag is automatically cleared by the hardware when the CPU vectors to the ISR. When configured as level sensitive, the interrupt-pending flag remains logic 1 while the input is active as defined by the corresponding polarity bit (IN0PL or IN1PL); the flag remains logic 0 while the input is inactive. The external interrupt source must hold the input active until the interrupt request is recognized. It must then deactivate the interrupt request before execution of the ISR completes or another interrupt request will be generated.

8.3.3. Interrupt Priorities

Each interrupt source can be individually programmed to one of two priority levels: low or high. A low priority interrupt service routine can be preempted by a high priority interrupt. A high priority interrupt cannot be preempted. Each interrupt has an associated interrupt priority bit in an SFR (IP or EIP1) used to configure its priority level. Low priority is the default. If two interrupts are recognized simultaneously, the interrupt with the higher priority is serviced first. If both interrupts have the same priority level, a fixed priority order is used to arbitrate, given in Table 8.4.

8.3.4. Interrupt Latency

Interrupt response time depends on the state of the CPU when the interrupt occurs. Pending interrupts are sampled and priority decoded each system clock cycle. Therefore, the fastest possible response time is 5 system clock cycles: 1 clock cycle to detect the interrupt and 4 clock cycles to complete the LCALL to the ISR. If an interrupt is pending when a RETI is executed, a single instruction is executed before an LCALL is made to service the pending interrupt. Therefore, the maximum response time for an interrupt (when no other interrupt is currently being serviced or the new interrupt is of greater priority) occurs when the CPU is performing an RETI instruction followed by a DIV as the next instruction. In this case, the response time is 18 system clock cycles: 1 clock cycle to detect the interrupt, 5 clock cycles to execute the RETI, 8 clock cycles to complete the DIV instruction and 4 clock cycles to execute the LCALL to the ISR. If the CPU is executing an ISR for an interrupt with equal or higher priority, the new interrupt will not be serviced until the current ISR completes, including the RETI and following instruction.

Table 8.4. Interrupt Summary

| Interrupt Source | Interrupt Vector | Priority Order | Pending Flag | Bit addressable? | Cleared by HW? | Enable Flag | Priority Control |
|------------------------------|------------------|----------------|------------------------------------|------------------|----------------|-----------------|------------------|
| Reset | 0x0000 | Top | None | N/A | N/A | Always Enabled | Always Highest |
| External Interrupt 0 (/INT0) | 0x0003 | 0 | IE0 (TCON.1) | Y | Y | EX0 (IE.0) | PX0 (IP.0) |
| Timer 0 Overflow | 0x000B | 1 | TF0 (TCON.5) | Y | Y | ET0 (IE.1) | PT0 (IP.1) |
| External Interrupt 1 (/INT1) | 0x0013 | 2 | IE1 (TCON.3) | Y | Y | EX1 (IE.2) | PX1 (IP.2) |
| Timer 1 Overflow | 0x001B | 3 | TF1 (TCON.7) | Y | Y | ET1 (IE.3) | PT1 (IP.3) |
| UART0 | 0x0023 | 4 | RI0 (SCON0.0) TI0 (SCON0.1) | Y | N | ES0 (IE.4) | PS0 (IP.4) |
| Timer 2 Overflow | 0x002B | 5 | TF2H (TMR2CN.7) TF2L (TMR2CN.6) | Y | N | ET2 (IE.5) | PT2 (IP.5) |
| SMBus Interface | 0x0033 | 6 | SI (SMB0CN.0) | Y | N | ESMB0 (EIE1.0) | PSMB0 (EIP1.0) |
| ADC0 Window Compare | 0x003B | 7 | AD0WINT (ADC0CN.3) | Y | N | EWADC0 (EIE1.1) | PWADC0 (EIP1.1) |
| ADC0 Conversion Complete | 0x0043 | 8 | AD0INT (ADC0CN.5) | Y | N | EADC0C (EIE1.2) | PADC0C (EIP1.2) |
| Programmable Counter Array | 0x004B | 9 | CF (PCA0CN.7) CCFn (PCA0CN.n) | Y | N | EPCA0 (EIE1.3) | PPCA0 (EIP1.3) |
| Comparator0 Falling Edge | 0x0053 | 10 | CP0FIF (CPT0CN.4) | N | N | ECP0F (EIE1.4) | PCP0F (EIP1.4) |
| Comparator0 Rising Edge | 0x005B | 11 | CP0RIF (CPT0CN.5) | N | N | ECP0R (EIE1.5) | PCP0R (EIP1.5) |

8.3.5. Interrupt Register Descriptions

The SFRs used to enable the interrupt sources and set their priority level are described below. Refer to the datasheet section associated with a particular on-chip peripheral for information regarding valid interrupt conditions for the peripheral and the behavior of its interrupt-pending flag(s).

SFR Definition 8.7. IE: Interrupt Enable

| R/W | R/W | R/W | R/W | R/W | R/W | R/W | R/W | Reset Value |
|------|-------|------|------|------|------|------|------|--|
| EA | IEGF0 | ET2 | ES0 | ET1 | EX1 | ET0 | EX0 | 00000000 |
| Bit7 | Bit6 | Bit5 | Bit4 | Bit3 | Bit2 | Bit1 | Bit0 | SFR Address: (bit addressable) 0xA8 |

Bit7: EA: Enable All Interrupts.
This bit globally enables/disables all interrupts. It overrides the individual interrupt mask settings.
0: Disable all interrupt sources.
1: Enable each interrupt according to its individual mask setting.

Bit6: IEGF0: General Purpose Flag 0.
This is a general purpose flag for use under software control.

Bit5: ET2: Enable Timer 2 Interrupt.
This bit sets the masking of the Timer 2 interrupt.
0: Disable Timer 2 interrupt.
1: Enable interrupt requests generated by the TF2L or TF2H flags.

Bit4: ES0: Enable UART0 Interrupt.
This bit sets the masking of the UART0 interrupt.
0: Disable UART0 interrupt.
1: Enable UART0 interrupt.

Bit3: ET1: Enable Timer 1 Interrupt.
This bit sets the masking of the Timer 1 interrupt.
0: Disable all Timer 1 interrupt.
1: Enable interrupt requests generated by the TF1 flag.

Bit2: EX1: Enable External Interrupt 1.
This bit sets the masking of external interrupt 1.
0: Disable external interrupt 1.
1: Enable interrupt requests generated by the /INT1 input.

Bit1: ET0: Enable Timer 0 Interrupt.
This bit sets the masking of the Timer 0 interrupt.
0: Disable all Timer 0 interrupt.
1: Enable interrupt requests generated by the TF0 flag.

Bit0: EX0: Enable External Interrupt 0.
This bit sets the masking of external interrupt 0.
0: Disable external interrupt 0.
1: Enable interrupt requests generated by the /INT0 input.

SFR Definition 8.8. IP: Interrupt Priority

| R/W | R/W | R/W | R/W | R/W | R/W | R/W | R/W | Reset Value |
|------|------|------|------|------|------|------|------|------------------------|
| — | — | PT2 | PS0 | PT1 | PX1 | PT0 | PX0 | 11000000 |
| Bit7 | Bit6 | Bit5 | Bit4 | Bit3 | Bit2 | Bit1 | Bit0 | SFR Address: |
| | | | | | | | | (bit addressable) 0xB8 |

Bits7–6: UNUSED. Read = 11b, Write = don't care.

Bit5: PT2: Timer 2 Interrupt Priority Control.
This bit sets the priority of the Timer 2 interrupt.
0: Timer 2 interrupts set to low priority level.
1: Timer 2 interrupts set to high priority level.

Bit4: PS0: UART0 Interrupt Priority Control.
This bit sets the priority of the UART0 interrupt.
0: UART0 interrupts set to low priority level.
1: UART0 interrupts set to high priority level.

Bit3: PT1: Timer 1 Interrupt Priority Control.
This bit sets the priority of the Timer 1 interrupt.
0: Timer 1 interrupts set to low priority level.
1: Timer 1 interrupts set to high priority level.

Bit2: PX1: External Interrupt 1 Priority Control.
This bit sets the priority of the External Interrupt 1 interrupt.
0: External Interrupt 1 set to low priority level.
1: External Interrupt 1 set to high priority level.

Bit1: PT0: Timer 0 Interrupt Priority Control.
This bit sets the priority of the Timer 0 interrupt.
0: Timer 0 interrupts set to low priority level.
1: Timer 0 interrupts set to high priority level.

Bit0: PX0: External Interrupt 0 Priority Control.
This bit sets the priority of the External Interrupt 0 interrupt.
0: External Interrupt 0 set to low priority level.
1: External Interrupt 0 set to high priority level.

SFR Definition 8.9. EIE1: Extended Interrupt Enable 1

| R/W | R/W | R/W | R/W | R/W | R/W | R/W | R/W | Reset Value |
|------|------|-------|-------|-------|--------|--------|-------|----------------------|
| — | — | ECP0R | ECP0F | EPCA0 | EADC0C | EWADC0 | ESMB0 | 00000000 |
| Bit7 | Bit6 | Bit5 | Bit4 | Bit3 | Bit2 | Bit1 | Bit0 | SFR Address: 0xE6 |

Bits7–6: UNUSED. Read = 00b. Write = don't care.
 Bit5: ECP0R: Enable Comparator0 (CP0) Rising Edge Interrupt.
 This bit sets the masking of the CP0 Rising Edge interrupt.
 0: Disable CP0 Rising Edge interrupt.
 1: Enable interrupt requests generated by the CP0RIF flag.
 Bit4: ECP0F: Enable Comparator0 (CP0) Falling Edge Interrupt.
 This bit sets the masking of the CP0 Falling Edge interrupt.
 0: Disable CP0 Falling Edge interrupt.
 1: Enable interrupt requests generated by the CP0FIF flag.
 Bit3: EPCA0: Enable Programmable Counter Array (PCA0) Interrupt.
 This bit sets the masking of the PCA0 interrupts.
 0: Disable all PCA0 interrupts.
 1: Enable interrupt requests generated by PCA0.
 Bit2: EADC0C: Enable ADC0 Conversion Complete Interrupt.
 This bit sets the masking of the ADC0 Conversion Complete interrupt.
 0: Disable ADC0 Conversion Complete interrupt.
 1: Enable interrupt requests generated by the AD0INT flag.
 Bit1: EWADC0: Enable Window Comparison ADC0 Interrupt.
 This bit sets the masking of ADC0 Window Comparison interrupt.
 0: Disable ADC0 Window Comparison interrupt.
 1: Enable interrupt requests generated by ADC0 Window Compare flag.
 Bit0: ESMB0: Enable SMBus Interrupt.
 This bit sets the masking of the SMBus interrupt.
 0: Disable all SMBus interrupts.
 1: Enable interrupt requests generated by the SI flag.

C8051F300/1/2/3/4/5

SFR Definition 8.10. EIP1: Extended Interrupt Priority 1

| R/W | R/W | R/W | R/W | R/W | R/W | R/W | R/W | Reset Value |
|------|------|-------|-------|-------|--------|--------|-------|----------------------|
| — | — | PCP0R | PCP0F | PPCA0 | PADC0C | PWADC0 | PSMB0 | 11000000 |
| Bit7 | Bit6 | Bit5 | Bit4 | Bit3 | Bit2 | Bit1 | Bit0 | SFR Address: 0xF6 |

Bits7–6: UNUSED. Read = 11b. Write = don't care.

Bit5: PCP0R: Comparator0 (CP0) Rising Interrupt Priority Control.
This bit sets the priority of the CP0 rising-edge interrupt.
0: CP0 rising interrupt set to low priority level.
1: CP0 rising interrupt set to high priority level.

Bit4: PCP0F: Comparator0 (CP0) Falling Interrupt Priority Control.
This bit sets the priority of the CP0 falling-edge interrupt.
0: CP0 falling interrupt set to low priority level.
1: CP0 falling interrupt set to high priority level.

Bit3: PPCA0: Programmable Counter Array (PCA0) Interrupt Priority Control.
This bit sets the priority of the PCA0 interrupt.
0: PCA0 interrupt set to low priority level.
1: PCA0 interrupt set to high priority level.

Bit2: PADC0C: ADC0 Conversion Complete Interrupt Priority Control.
This bit sets the priority of the ADC0 Conversion Complete interrupt.
0: ADC0 Conversion Complete interrupt set to low priority level.
1: ADC0 Conversion Complete interrupt set to high priority level.

Bit1: PWADC0: ADC0 Window Comparator Interrupt Priority Control.
This bit sets the priority of the ADC0 Window interrupt.
0: ADC0 Window interrupt set to low priority level.
1: ADC0 Window interrupt set to high priority level.

Bit0: PSMB0: SMBus Interrupt Priority Control.
This bit sets the priority of the SMBus interrupt.
0: SMBus interrupt set to low priority level.
1: SMBus interrupt set to high priority level.

SFR Definition 8.11. IT01CF: INT0/INT1 Configuration

| | | | | | | | | |
|-------|--------|--------|--------|-------|--------|--------|--------|----------------------|
| R/W | R/W | R/W | R/W | R/W | R/W | R/W | R/W | Reset Value |
| IN1PL | IN1SL2 | IN1SL1 | IN1SL0 | IN0PL | IN0SL2 | IN0SL1 | IN0SL0 | 0000001 |
| Bit7 | Bit6 | Bit5 | Bit4 | Bit3 | Bit2 | Bit1 | Bit0 | SFR Address: 0xE4 |

Note: Refer to SFR Definition 15.1 for INT0/1 edge- or level-sensitive interrupt selection.

Bit7: IN1PL: /INT1 Polarity
 0: /INT1 input is active low.
 1: /INT1 input is active high.

Bits6–4: IN1SL2–0: /INT1 Port Pin Selection Bits
 These bits select which Port pin is assigned to /INT1. Note that this pin assignment is independent of the Crossbar; /INT1 will monitor the assigned Port pin without disturbing the peripheral that has been assigned the Port pin via the Crossbar. The Crossbar will not assign the Port pin to a peripheral if it is configured to skip the selected pin (accomplished by setting to ‘1’ the corresponding bit in register XBR0).

| IN1SL2–0 | /INT1 Port Pin |
|----------|----------------|
| 000 | P0.0 |
| 001 | P0.1 |
| 010 | P0.2 |
| 011 | P0.3 |
| 100 | P0.4 |
| 101 | P0.5 |
| 110 | P0.6 |
| 111 | P0.7 |

Bit3: IN0PL: /INT0 Polarity
 0: /INT0 interrupt is active low.
 1: /INT0 interrupt is active high.

Bits2–0: IN0SL2–0: /INT0 Port Pin Selection Bits
 These bits select which Port pin is assigned to /INT0. Note that this pin assignment is independent of the Crossbar. /INT0 will monitor the assigned Port pin without disturbing the peripheral that has been assigned the Port pin via the Crossbar. The Crossbar will not assign the Port pin to a peripheral if it is configured to skip the selected pin (accomplished by setting to ‘1’ the corresponding bit in register XBR0).

| IN0SL2–0 | /INT0 Port Pin |
|----------|----------------|
| 000 | P0.0 |
| 001 | P0.1 |
| 010 | P0.2 |
| 011 | P0.3 |
| 100 | P0.4 |
| 101 | P0.5 |
| 110 | P0.6 |
| 111 | P0.7 |

8.4. Power Management Modes

The CIP-51 core has two software programmable power management modes: Idle and Stop. Idle mode halts the CPU while leaving the peripherals and clocks active. In Stop mode, the CPU is halted, all interrupts and timers (except the Missing Clock Detector) are inactive, and the system clock is stopped (analog peripherals remain in their selected states). Since clocks are running in Idle mode, power consumption is dependent upon the system clock frequency and the number of peripherals left in active mode before entering Idle. Stop mode consumes the least power. SFR Definition 8.12 describes the Power Control Register (PCON) used to control the CIP-51's power management modes.

Although the CIP-51 has Idle and Stop modes built in (as with any standard 8051 architecture), power management of the entire MCU is better accomplished by enabling/disabling individual peripherals as needed. Each analog peripheral can be disabled when not in use and placed in low power mode. Digital peripherals, such as timers or serial buses, draw little power when they are not in use. Turning off the oscillators lowers power consumption considerably; however a reset is required to restart the MCU.

8.4.1. Idle Mode

Setting the Idle Mode Select bit (PCON.0) causes the CIP-51 to halt the CPU and enter Idle mode as soon as the instruction that sets the bit completes execution. All internal registers and memory maintain their original data. All analog and digital peripherals can remain active during Idle mode.

Idle mode is terminated when an enabled interrupt is asserted or a reset occurs. The assertion of an enabled interrupt will cause the Idle Mode Selection bit (PCON.0) to be cleared and the CPU to resume operation. The pending interrupt will be serviced and the next instruction to be executed after the return from interrupt (RETI) will be the instruction immediately following the one that set the Idle Mode Select bit. If Idle mode is terminated by an internal or external reset, the CIP-51 performs a normal reset sequence and begins program execution at address 0x0000.

If enabled, the Watchdog Timer (WDT) will eventually cause an internal watchdog reset and thereby terminate the Idle mode. This feature protects the system from an unintended permanent shutdown in the event of an inadvertent write to the PCON register. If this behavior is not desired, the WDT may be disabled by software prior to entering the Idle mode if the WDT was initially configured to allow this operation. This provides the opportunity for additional power savings, allowing the system to remain in the Idle mode indefinitely, waiting for an external stimulus to wake up the system. Refer to [Section “16.3. Watchdog Timer Mode” on page 164](#) for more information on the use and configuration of the WDT.

Note: Any instruction that sets the IDLE bit should be immediately followed by an instruction that has 2 or more opcode bytes. For example:

```
// in 'C':
PCON |= 0x01;           // set IDLE bit
PCON = PCON;           // ... followed by a 3-cycle dummy instruction

; in assembly:
ORL PCON, #01h         ; set IDLE bit
MOV PCON, PCON         ; ... followed by a 3-cycle dummy instruction
```

If the instruction following the write of the IDLE bit is a single-byte instruction and an interrupt occurs during the execution phase of the instruction that sets the IDLE bit, the CPU may not wake from IDLE mode when a future interrupt occurs.

8.4.2. Stop Mode

Setting the Stop Mode Select bit (PCON.1) causes the CIP-51 to enter Stop mode as soon as the instruction that sets the bit completes execution. In Stop mode the internal oscillator, CPU, and all digital peripherals are stopped; the state of the external oscillator circuit is not affected. Each analog peripheral (including the external oscillator circuit) may be shut down individually prior to entering Stop Mode. Stop mode can only be terminated by an internal or external reset. On reset, the CIP-51 performs the normal reset sequence and begins program execution at address 0x0000.

If enabled, the Missing Clock Detector will cause an internal reset and thereby terminate the Stop mode. The Missing Clock Detector should be disabled if the CPU is to be put in STOP mode for longer than the MCD timeout of 100 μ sec.

SFR Definition 8.12. PCON: Power Control

| R/W | R/W | R/W | R/W | R/W | R/W | R/W | R/W | Reset Value |
|------|------|------|------|------|------|------|------|----------------------|
| GF5 | GF4 | GF3 | GF2 | GF1 | GF0 | STOP | IDLE | 00000000 |
| Bit7 | Bit6 | Bit5 | Bit4 | Bit3 | Bit2 | Bit1 | Bit0 | SFR Address: 0x87 |

Bits7–2: GF5–GF0: General Purpose Flags 5-0.
These are general purpose flags for use under software control.

Bit1: STOP: Stop Mode Select.
Setting this bit will place the CIP-51 in Stop mode. This bit will always be read as 0.
1: CPU goes into Stop mode (turns off internal oscillator).

Bit0: IDLE: Idle Mode Select.
Setting this bit will place the CIP-51 in Idle mode. This bit will always be read as 0.
1: CPU goes into Idle mode (shuts off clock to CPU, but clock to Timers, Interrupts, Serial Ports, and Analog Peripherals are still active).

C8051F300/1/2/3/4/5

NOTES:

9. Reset Sources

Reset circuitry allows the controller to be easily placed in a predefined default condition. On entry to this reset state, the following occur:

- CIP-51 halts program execution
- Special Function Registers (SFRs) are initialized to their defined reset values
- External Port pins are forced to a known state
- Interrupts and timers are disabled.

All SFRs are reset to the predefined values noted in the SFR detailed descriptions. The contents of internal data memory are unaffected during a reset; any previously stored data is preserved. However, since the stack pointer SFR is reset, the stack is effectively lost even though the data on the stack is not altered.

The Port I/O latches are reset to 0xFF (all logic ones) in open-drain mode. Weak pullups are enabled during and after the reset. For V_{DD} Monitor and power-on resets, the \overline{RST} pin is driven low until the device exits the reset state.

On exit from the reset state, the program counter (PC) is reset, and the system clock defaults to the internal oscillator. Refer to [Section “11. Oscillators” on page 97](#) for information on selecting and configuring the system clock source. The Watchdog Timer is enabled with the system clock divided by 12 as its clock source ([Section “16.3. Watchdog Timer Mode” on page 164](#) details the use of the Watchdog Timer). Once the system clock source is stable, program execution begins at location 0x0000.

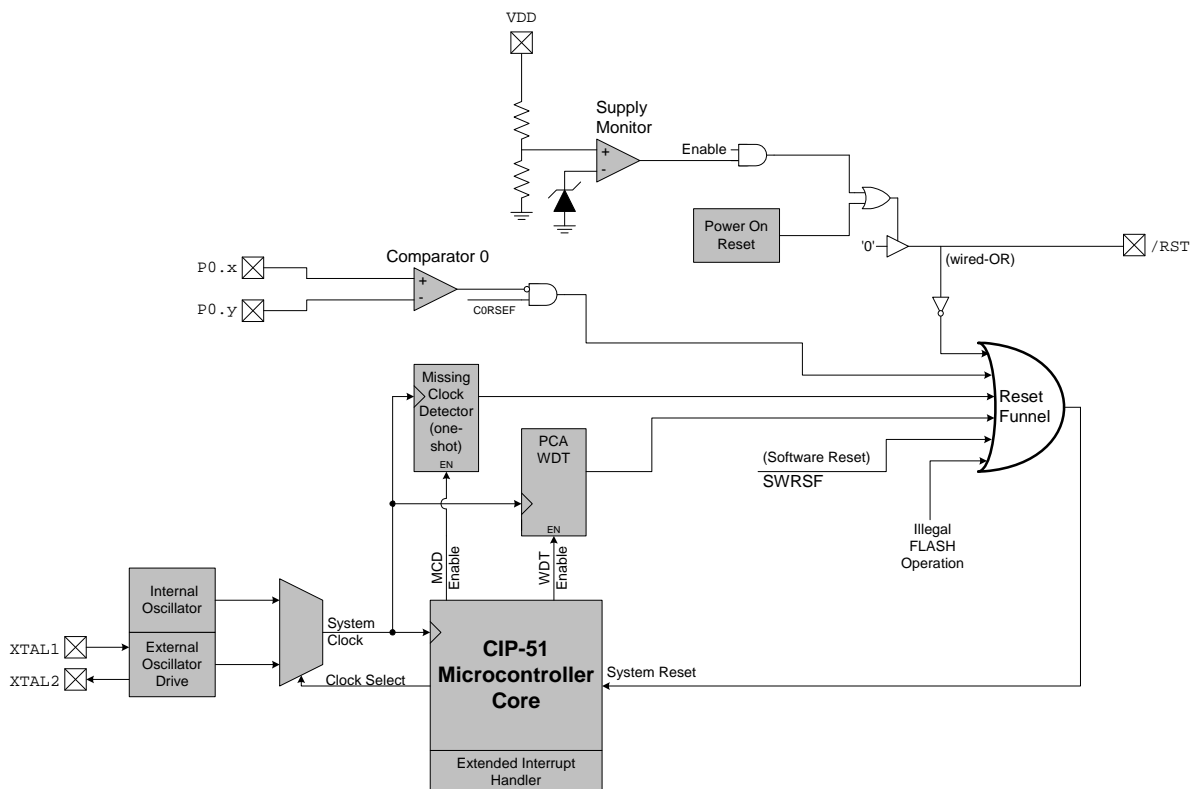


Figure 9.1. Reset Sources

C8051F300/1/2/3/4/5

9.1. Power-On Reset

During powerup, the device is held in a reset state and the $\overline{\text{RST}}$ pin is driven low until V_{DD} settles above V_{RST} . An additional delay occurs before the device is released from reset; the delay decreases as the V_{DD} ramp time increases (V_{DD} ramp time is defined as how fast V_{DD} ramps from 0 V to V_{RST}). For valid ramp times (less than 1 ms), the power-on reset delay (T_{PORDelay}) is typically less than 0.3 ms.

Note: The maximum V_{DD} ramp time is 1 ms; slower ramp times may cause the device to be released from reset before V_{DD} reaches the V_{RST} level.

On exit from a power-on reset, the PORSF flag (RSTSRC.1) is set by hardware to logic 1. When PORSF is set, all of the other reset flags in the RSTSRC Register are indeterminate (PORSF is cleared by all other resets). Since all resets cause program execution to begin at the same location (0x0000) software can read the PORSF flag to determine if a powerup was the cause of reset. The content of internal data memory should be assumed to be undefined after a power-on reset. The V_{DD} monitor is disabled following a power-on reset.

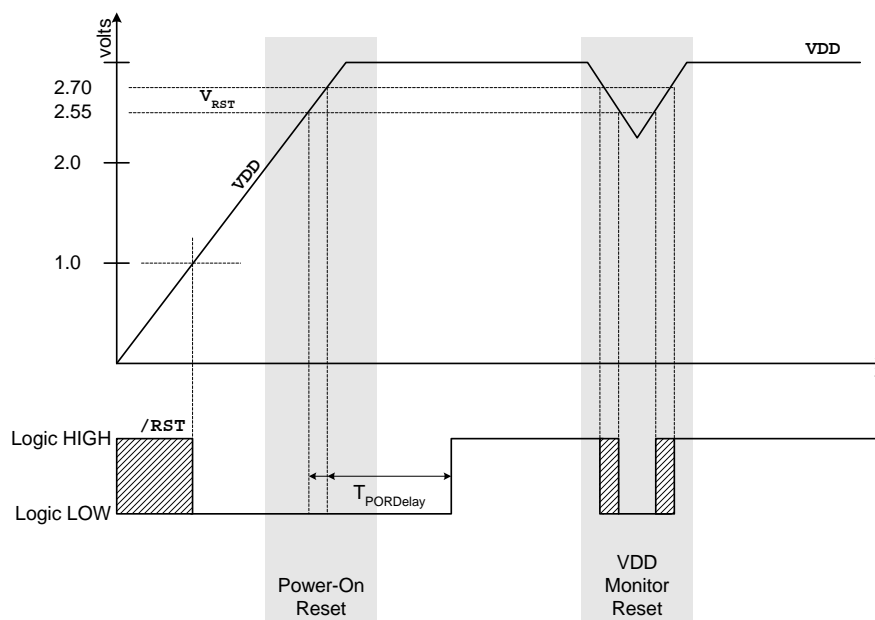


Figure 9.2. Power-On and V_{DD} Monitor Reset Timing

9.2. Power-Fail Reset/ V_{DD} Monitor

When a power-down transition or power irregularity causes V_{DD} to drop below V_{RST} , the power supply monitor will drive the $\overline{\text{RST}}$ pin low and hold the CIP-51 in a reset state (see Figure 9.2). When V_{DD} returns to a level above V_{RST} , the CIP-51 will be released from the reset state. Note that even though internal data memory contents are not altered by the power-fail reset, it is impossible to determine if V_{DD} dropped below the level required for data retention. If the PORSF flag reads '1', the data may no longer be valid. The V_{DD} monitor is disabled after power-on resets; however its defined state (enabled/disabled) is not altered by any other reset source. For example, if the V_{DD} monitor is enabled and a software reset is performed, the V_{DD} monitor will still be enabled after the reset. The V_{DD} monitor is enabled by writing a '1' to the PORSF

bit in register RSTSRC. See Figure 9.2 for V_{DD} monitor timing; note that the reset delay is not incurred after a V_{DD} monitor reset. See Table 9.2 for electrical characteristics of the V_{DD} monitor.

Important Note: Enabling the V_{DD} monitor will immediately generate a system reset. The device will then return from the reset state with the V_{DD} monitor enabled. **Writing a logic '1' to the PORSF flag when the V_{DD} monitor is enabled does not cause a system reset.**

9.3. External Reset

The external \overline{RST} pin provides a means for external circuitry to force the device into a reset state. Asserting an active-low signal on the \overline{RST} pin generates a reset; an external pullup and/or decoupling of the \overline{RST} pin may be necessary to avoid erroneous noise-induced resets. See Table 9.2 for complete \overline{RST} pin specifications. The PINRSF flag (RSTSRC.0) is set on exit from an external reset.

9.4. Missing Clock Detector Reset

The Missing Clock Detector (MCD) is a one-shot circuit that is triggered by the system clock. If the system clock remains high or low for more than 100 μs , the one-shot will time out and generate a reset. After a MCD reset, the MCDRSF flag (RSTSRC.2) will read '1', signifying the MCD as the reset source; otherwise, this bit reads '0'. Writing a '1' to the MCDRSF bit enables the Missing Clock Detector; writing a '0' disables it. The state of the \overline{RST} pin is unaffected by this reset.

9.5. Comparator0 Reset

Comparator0 can be configured as a reset source by writing a '1' to the CORSEF flag (RSTSRC.5). Comparator0 should be enabled and allowed to settle prior to writing to CORSEF to prevent any turn-on chatter on the output from generating an unwanted reset. The Comparator0 reset is active-low: if the non-inverting input voltage (on CP0+) is less than the inverting input voltage (on CP0-), the device is put into the reset state. After a Comparator0 reset, the CORSEF flag (RSTSRC.5) will read '1' signifying Comparator0 as the reset source; otherwise, this bit reads '0'. The state of the \overline{RST} pin is unaffected by this reset.

9.6. PCA Watchdog Timer Reset

The programmable Watchdog Timer (WDT) function of the Programmable Counter Array (PCA) can be used to prevent software from running out of control during a system malfunction. The PCA WDT function can be enabled or disabled by software as described in [Section "16.3. Watchdog Timer Mode" on page 164](#); the WDT is enabled and clocked by SYSCLK / 12 following any reset. If a system malfunction prevents user software from updating the WDT, a reset is generated and the WDTRSF bit (RSTSRC.5) is set to '1'. The state of the \overline{RST} pin is unaffected by this reset.

C8051F300/1/2/3/4/5

9.7. Flash Error Reset

If a Flash read/write/erase or program read targets an illegal address, a system reset is generated. This may occur due to any of the following:

- A Flash write or erase is attempted above user code space. This occurs when PSWE is set to '1' and a MOVX operation is attempted above the user code space address limit.
- A Flash read is attempted above user code space. This occurs when a MOVC operation is attempted above the user code space address limit.
- A Program read is attempted above user code space. This occurs when user code attempts to branch to an address above the user code space address limit.

Table 9.1. User Code Space Address Limits

| Device | User Code Space Address Limit |
|-----------------|-------------------------------|
| C8051F300/1/2/3 | 0x1DFF |
| C8051F304 | 0x0FFF |
| C8051F305 | 0x07FF |

The FERROR bit (RSTSRC.6) is set following a Flash error reset. The state of the $\overline{\text{RST}}$ pin is unaffected by this reset.

9.8. Software Reset

Software may force a reset by writing a '1' to the SWRSF bit (RSTSRC.4). The SWRSF bit will read '1' following a software forced reset. The state of the $\overline{\text{RST}}$ pin is unaffected by this reset.

Table 9.2. Reset Electrical Characteristics

–40 to +85 °C unless otherwise specified.

| Parameter | Conditions | Min | Typ | Max | Units |
|---|---|---------------------|------|---------------------|---------------|
| $\overline{\text{RST}}$ Output Low Voltage | $I_{OL} = 8.5 \text{ mA}$, $V_{DD} = 2.7 \text{ V}$ to 3.6 V | — | — | 0.6 | V |
| $\overline{\text{RST}}$ Input High Voltage | | $0.7 \times V_{DD}$ | — | — | V |
| $\overline{\text{RST}}$ Input Low Voltage | | — | — | $0.3 \times V_{DD}$ | |
| $\overline{\text{RST}}$ Input Leakage Current | $\overline{\text{RST}} = 0.0 \text{ V}$ | — | 25 | 40 | μA |
| V_{DD} Monitor Threshold (V_{RST}) | | 2.40 | 2.55 | 2.70 | V |
| Missing Clock Detector Timeout | Time from last system clock rising edge to reset initiation | 100 | 220 | 500 | μs |
| Reset Time Delay | Delay between release of any reset source and code execution at location 0x0000 | 5.0 | — | — | μs |
| Minimum $\overline{\text{RST}}$ Low Time to Generate a System Reset | | 15 | — | — | μs |
| V_{DD} Ramp Time | $V_{DD} = 0$ to V_{RST} | — | — | 1 | ms |

SFR Definition 9.1. RSTSRC: Reset Source

| | | | | | | | | |
|------|--------|--------|-------|--------|--------|-------|--------|----------------------|
| R | R | R/W | R/W | R | R/W | R/W | R | Reset Value |
| — | FERROR | C0RSEF | SWRSF | WDTRSF | MCDRSF | PORSF | PINRSF | Variable |
| Bit7 | Bit6 | Bit5 | Bit4 | Bit3 | Bit2 | Bit1 | Bit0 | SFR Address: 0xEF |

(Note: Do not use read-modify-write operations (ORL, ANL) on this register)

- Bit7: UNUSED. Read = 0. Write = don't care.
- Bit6: FERROR: Flash Error Indicator.
0: Source of last reset was not a Flash read/write/erase error.
1: Source of last reset was a Flash read/write/erase error.
- Bit5: C0RSEF: Comparator0 Reset Enable and Flag.
Write
0: Comparator0 is not a reset source.
1: Comparator0 is a reset source (active-low).
Read
0: Source of last reset was not Comparator0.
1: Source of last reset was Comparator0.
- Bit4: SWRSF: Software Reset Force and Flag.
Write
0: No Effect.
1: Forces a system reset.
Read
0: Source of last reset was not a write to the SWRSF bit.
1: Source of last reset was a write to the SWRSF bit.
- Bit3: WDTRSF: Watchdog Timer Reset Flag.
0: Source of last reset was not a WDT timeout.
1: Source of last reset was a WDT timeout.
- Bit2: MCDRSF: Missing Clock Detector Flag.
Write:
0: Missing Clock Detector disabled.
1: Missing Clock Detector enabled; triggers a reset if a missing clock condition is detected.
Read:
0: Source of last reset was not a Missing Clock Detector timeout.
1: Source of last reset was a Missing Clock Detector timeout.
- Bit1: PORSF: Power-On Reset Force and Flag.
This bit is set anytime a power-on reset occurs. This may be due to a true power-on reset or a V_{DD} monitor reset. In either case, data memory should be considered indeterminate following the reset. Writing this bit enables/disables the V_{DD} monitor.
Write:
0: V_{DD} monitor disabled.
1: V_{DD} monitor enabled.
Read:
0: Last reset was not a power-on or V_{DD} monitor reset.
1: Last reset was a power-on or V_{DD} monitor reset; all other reset flags indeterminate.
- Bit0: PINRSF: HW Pin Reset Flag.
0: Source of last reset was not \overline{RST} pin.
1: Source of last reset was \overline{RST} pin.

C8051F300/1/2/3/4/5

NOTES:

10. Flash Memory

On-chip, reprogrammable Flash memory is included for program code and non-volatile data storage. The Flash memory can be programmed in-system, a single byte at a time, through the C2 interface or by software using the MOVX instruction. Once cleared to logic 0, a Flash bit must be erased to set it back to logic 1. Flash bytes would typically be erased (set to 0xFF) before being reprogrammed. The write and erase operations are automatically timed by hardware for proper execution; data polling to determine the end of the write/erase operation is not required. Code execution is stalled during a Flash write/erase operation. Refer to Table 10.1 for complete Flash memory electrical characteristics.

10.1. Programming The Flash Memory

The simplest means of programming the Flash memory is through the C2 interface using programming tools provided by Silicon Labs or a third party vendor. This is the only means for programming a non-initialized device. For details on the C2 commands to program Flash memory, see [Section “17. C2 Interface” on page 173](#).

To ensure the integrity of Flash contents, it is strongly recommended that the on-chip V_{DD} Monitor be enabled in any system that includes code that writes and/or erases Flash memory from software.

10.1.1. Flash Lock and Key Functions

Flash writes and erases by user software are protected with a lock and key function; Flash reads by user software are unrestricted. The Flash Lock and Key Register (FLKEY) must be written with the correct key codes, in sequence, before Flash operations may be performed. The key codes are: 0xA5, 0xF1. The timing does not matter, but the codes must be written in order. If the key codes are written out of order, or the wrong codes are written, Flash writes and erases will be disabled until the next system reset. Flash writes and erases will also be disabled if a Flash write or erase is attempted before the key codes have been written properly. The Flash lock resets after each write or erase; the key codes must be written again before a following Flash operation can be performed. The FLKEY register is detailed in SFR Definition 10.2.

10.1.2. Flash Erase Procedure

The Flash memory can be programmed by software using the MOVX instruction with the address and data byte to be programmed provided as normal operands. Before writing to Flash memory using MOVX, Flash write operations must be enabled by: (1) setting the PSWE Program Store Write Enable bit (PSCTL.0) to logic 1 (this directs the MOVX writes to target Flash memory); and (2) Writing the Flash key codes in sequence to the Flash Lock register (FLKEY). The PSWE bit remains set until cleared by software.

A write to Flash memory can clear bits but cannot set them; only an erase operation can set bits in Flash. **A byte location to be programmed should be erased before a new value is written.** The 8k byte Flash memory is organized in 512-byte pages. The erase operation applies to an entire page (setting all bytes in the page to 0xFF). To erase an entire 512-byte page, perform the following steps:

- Step 1. Disable interrupts (recommended).
- Step 2. Set the Program Store Erase Enable bit (PSEE in the PSCTL register).
- Step 3. Set the Program Store Write Enable bit (PSWE in the PSCTL register).
- Step 4. Write the first key code to FLKEY: 0xA5.
- Step 5. Write the second key code to FLKEY: 0xF1.
- Step 6. Using the MOVX instruction, write a data byte to any location within the 512-byte page to be erased.

C8051F300/1/2/3/4/5

10.1.3. Flash Write Procedure

Flash bytes are programmed by software with the following sequence:

- Step 1. Disable interrupts (recommended).
- Step 2. Erase the 512-byte Flash page containing the target location, as described in [Section 10.1.2](#).
- Step 3. Set the PSWE bit in PSCTL.
- Step 4. Clear the PSEE bit in PSCTL.
- Step 5. Write the first key code to FLKEY: 0xA5.
- Step 6. Write the second key code to FLKEY: 0xF1.
- Step 7. Using the MOVX instruction, write a single data byte to the desired location within the 512-byte sector.

Steps 5–7 must be repeated for each byte to be written. After Flash writes are complete, PSWE should be cleared so that MOVX instructions do not target program memory. Writing to and erasing the Reserved area of Flash should be avoided.

Table 10.1. Flash Electrical Characteristics

| Parameter | Conditions | Min | Typ | Max | Units |
|---|---------------------|-------|------|-----|-------------|
| Flash Size | C8051F300/1/2/3 | 8192* | | | bytes |
| | C8051F304 | 4096 | | | bytes |
| | C8051F305 | 2048 | | | bytes |
| Endurance | | 20k | 100k | | Erase/Write |
| Erase Cycle Time | 25 MHz System Clock | 10 | 15 | 20 | ms |
| Write Cycle Time | 25 MHz System Clock | 40 | 55 | 70 | µs |
| SYSCLK Frequency (Flash writes from application code) | | 100 | | | kHz |

*Note: 512 bytes at location 0x1E00 to 0x1FFF are reserved.

10.2. Non-Volatile Data Storage

The Flash memory can be used for non-volatile data storage as well as program code. This allows data such as calibration coefficients to be calculated and stored at run time. Data is written using the MOVX instruction and read using the MOVC instruction.

10.3. Security Options

The CIP-51 provides security options to protect the Flash memory from inadvertent modification by software as well as to prevent the viewing of proprietary program code and constants. The Program Store Write Enable (bit PSWE in register PSCTL) and the Program Store Erase Enable (bit PSEE in register PSCTL) bits protect the Flash memory from accidental modification by software. PSWE must be explicitly set to '1' before software can modify the Flash memory; both PSWE and PSEE must be set to '1' before software can erase Flash memory. Additional security features prevent proprietary program code and data constants from being read or altered across the C2 interface.

A security lock byte stored at the last byte of Flash user space protects the Flash program memory from being read or altered across the C2 interface. See Table 10.2 for the security byte description; see Figure 10.1 for a program memory map and the security byte locations for each device.

Table 10.2. Security Byte Decoding

| Bits | Description |
|------|---|
| 7–4 | Write Lock: Clearing any of these bits to logic 0 prevents all Flash memory from being written or page-erased across the C2 interface |
| 3–0 | Read/Write Lock: Clearing any of these bits to logic 0 prevents all Flash memory from being read, written, or page-erased across the C2 interface. |

The lock bits can always be read and cleared to logic 0 regardless of the security settings.

Important note: The only means of removing a lock (write or read/write) once set is to erase the entire program memory space via a C2 Device Erase command.

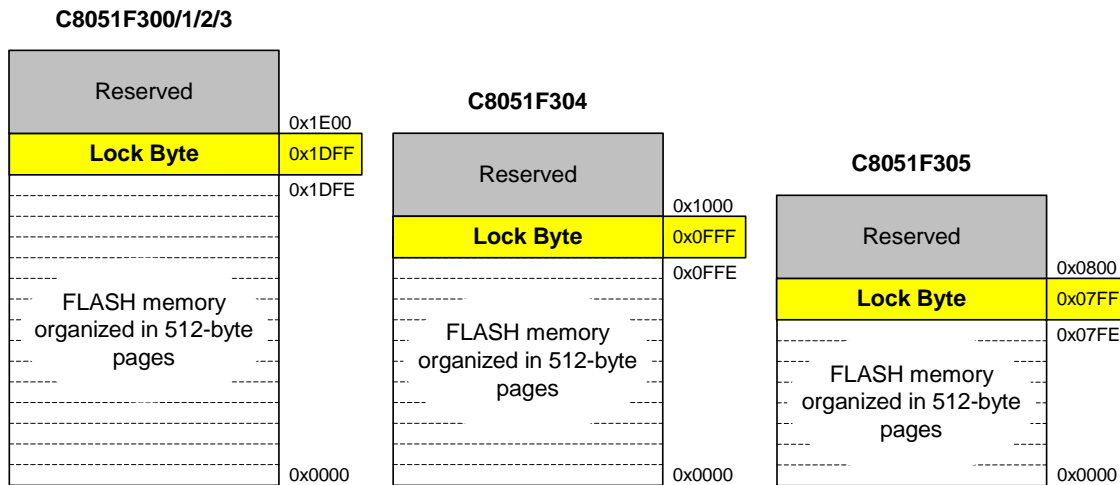


Figure 10.1. Flash Program Memory Map

The level of Flash security depends on the Flash access method. The three Flash access methods that can be restricted are reads, writes, and erases from the C2 debug interface, user firmware executing on unlocked pages, and user firmware executing on locked pages.

Accessing Flash **from the C2 debug interface:**

1. Any unlocked page may be read, written, or erased.
2. Locked pages cannot be read, written, or erased.
3. The page containing the Lock Byte may be read, written, or erased if it is unlocked.
4. Reading the contents of the Lock Byte is always permitted only if no pages are locked.
5. Locking additional pages (changing '1's to '0's in the Lock Byte) is not permitted.
6. Unlocking Flash pages (changing '0's to '1's in the Lock Byte) requires the C2 Device Erase command, which erases all Flash pages including the page containing the Lock Byte and the Lock Byte itself.
7. The Reserved Area cannot be read, written, or erased.

C8051F300/1/2/3/4/5

Accessing Flash **from user firmware** executing from an **unlocked page**:

1. Any unlocked page except the page containing the Lock Byte may be read, written, or erased.
2. Locked pages cannot be read, written, or erased. An erase attempt on the page containing the Lock Byte will result in a Flash Error device reset.
3. **The page containing the Lock Byte cannot be erased.** It may be read or written only if it is unlocked. An erase attempt on the page containing the Lock Byte will result in a Flash Error device reset.
4. Reading the contents of the Lock Byte is always permitted.
5. Locking additional pages (changing '1's to '0's in the Lock Byte) is not permitted.
6. Unlocking Flash pages (changing '0's to '1's in the Lock Byte) is not permitted.
7. The Reserved Area cannot be read, written, or erased. Any attempt to access the reserved area, or any other locked page, will result in a Flash Error device reset.

Accessing Flash **from user firmware** executing from a **locked page**:

1. Any unlocked page except the page containing the Lock Byte may be read, written, or erased.
2. Any locked page except the page containing the Lock Byte may be read, written, or erased. An erase attempt on the page containing the Lock Byte will result in a Flash Error device reset.
3. **The page containing the Lock Byte cannot be erased.** It may only be read or written. An erase attempt on the page containing the Lock Byte will result in a Flash Error device reset.
4. Reading the contents of the Lock Byte is always permitted.
5. Locking additional pages (changing '1's to '0's in the Lock Byte) is not permitted.
6. Unlocking Flash pages (changing '0's to '1's in the Lock Byte) is not permitted.
7. The Reserved Area cannot be read, written, or erased. Any attempt to access the reserved area, or any other locked page, will result in a Flash Error device reset.

SFR Definition 10.1. PSCTL: Program Store R/W Control

| R/W | R/W | R/W | R/W | R/W | R/W | R/W | R/W | Reset Value |
|------|------|------|------|------|------|------|------|----------------------|
| — | — | — | — | — | — | PSEE | PSWE | 00000000 |
| Bit7 | Bit6 | Bit5 | Bit4 | Bit3 | Bit2 | Bit1 | Bit0 | SFR Address: 0x8F |

Bits7–2: UNUSED: Read = 000000b, Write = don't care.

Bit1: PSEE: Program Store Erase Enable
Setting this bit (in combination with PSWE) allows an entire page of Flash program memory to be erased. If this bit is logic 1 and Flash writes are enabled (PSWE is logic 1), a write to Flash memory using the MOVX instruction will erase the entire page that contains the location addressed by the MOVX instruction. The value of the data byte written does not matter.
0: Flash program memory erasure disabled.
1: Flash program memory erasure enabled.

Bit0: PSWE: Program Store Write Enable
Setting this bit allows writing a byte of data to the Flash program memory using the MOVX instruction. The Flash location should be erased before writing data.
0: Writes to Flash program memory disabled.
1: Writes to Flash program memory enabled; the MOVX instruction targets Flash memory.

SFR Definition 10.2. FLKEY: Flash Lock and Key

| R/W | R/W | R/W | R/W | R/W | R/W | R/W | R/W | Reset Value |
|------|------|------|------|------|------|------|------|----------------------|
| | | | | | | | | 00000000 |
| Bit7 | Bit6 | Bit5 | Bit4 | Bit3 | Bit2 | Bit1 | Bit0 | SFR Address: 0xB7 |

Bits7–0: FLKEY: Flash Lock and Key Register

Write:
This register must be written to before Flash writes or erases can be performed. Flash remains locked until this register is written to with the following key codes: 0xA5, 0xF1. The timing of the writes does not matter, as long as the codes are written in order. The key codes must be written for each Flash write or erase operation. Flash will be locked until the next system reset if the wrong codes are written or if a Flash operation is attempted before the codes have been written correctly.

Read:
When read, bits 1–0 indicate the current Flash lock state.

00: Flash is write/erase locked.
01: The first key code has been written (0xA5).
10: Flash is unlocked (writes/erases allowed).
11: Flash writes/erases disabled until the next reset.

SFR Definition 10.3. FLSCCL: Flash Scale

| R/W | R/W | R/W | R/W | R/W | R/W | R/W | R/W | Reset Value |
|------|----------|----------|----------|----------|----------|----------|----------|----------------------|
| FOSE | Reserved | Reserved | Reserved | Reserved | Reserved | Reserved | Reserved | 10000000 |
| Bit7 | Bit6 | Bit5 | Bit4 | Bit3 | Bit2 | Bit1 | Bit0 | SFR Address: 0xB6 |

Bits7: FOSE: Flash One-shot Enable
This bit enables the 50 ns Flash read one-shot. When the Flash one-shot disabled, the Flash sense amps are enabled for a full clock cycle during Flash reads.
0: Flash one-shot disabled.
1: Flash one-shot enabled.

Bits6–0: RESERVED. Read = 0. Must Write 0.

C8051F300/1/2/3/4/5

10.4. Flash Write and Erase Guidelines

Any system which contains routines which write or erase Flash memory from software involves some risk that the write or erase routines will execute unintentionally if the CPU is operating outside its specified operating range of V_{DD} , system clock frequency, or temperature. This accidental execution of Flash modifying code can result in alteration of Flash memory contents causing a system failure that is only recoverable by re-Flashing the code in the device.

The following guidelines are recommended for any system which contains routines which write or erase Flash from code.

10.4.1. V_{DD} Maintenance and the V_{DD} monitor

1. If the system power supply is subject to voltage or current "spikes," add sufficient transient protection devices to the power supply to ensure that the supply voltages listed in the Absolute Maximum Ratings table are not exceeded.
2. Make certain that the minimum V_{DD} rise time specification of 1 ms is met. If the system cannot meet this rise time specification, then add an external V_{DD} brownout circuit to the \overline{RST} pin of the device that holds the device in reset until V_{DD} reaches 2.7 V and re-asserts \overline{RST} if V_{DD} drops below 2.7 V.
3. Enable the on-chip V_{DD} monitor and enable the V_{DD} monitor as a reset source as early in code as possible. This should be the first set of instructions executed after the Reset Vector. For 'C'-based systems, this will involve modifying the startup code added by the 'C' compiler. See your compiler documentation for more details. Make certain that there are no delays in software between enabling the V_{DD} monitor and enabling the V_{DD} monitor as a reset source. Code examples showing this can be found in "AN201: Writing to Flash from Firmware", available from the Silicon Laboratories web site.
4. As an added precaution, explicitly enable the V_{DD} monitor and enable the V_{DD} monitor as a reset source inside the functions that write and erase Flash memory. The V_{DD} monitor enable instructions should be placed just after the instruction to set PSWE to a '1', but before the Flash write or erase operation instruction.
5. Make certain that all writes to the RSTSRC (Reset Sources) register use direct assignment operators and explicitly DO NOT use the bit-wise operators (such as AND or OR). For example, "RSTSRC = 0x02" is correct. "RSTSRC |= 0x02" is incorrect.
6. Make certain that all writes to the RSTSRC register explicitly set the PORSF bit to a '1'. Areas to check are initialization code which enables other reset sources, such as the Missing Clock Detector or Comparator, for example, and instructions which force a Software Reset. A global search on "RSTSRC" can quickly verify this.

10.4.2. PSWE Maintenance

7. Reduce the number of places in code where the PSWE bit (b0 in PSCTL) is set to a '1'. There should be exactly one routine in code that sets PSWE to a '1' to write Flash bytes and one routine in code that sets PSWE and PSEE both to a '1' to erase Flash pages.
8. Minimize the number of variable accesses while PSWE is set to a '1'. Handle pointer address updates and loop variable maintenance outside the "PSWE = 1; ... PSWE = 0;" area. Code examples showing this can be found in AN201, "Writing to Flash from Firmware", available from the Silicon Laboratories web site.
9. Disable interrupts prior to setting PSWE to a '1' and leave them disabled until after PSWE has been reset to '0'. Any interrupts posted during the Flash write or erase operation will be ser-

- enced in priority order after the Flash operation has been completed and interrupts have been re-enabled by software.
10. Make certain that the Flash write and erase pointer variables are not located in XRAM. See your compiler documentation for instructions regarding how to explicitly locate variables in different memory areas.
 11. Add address bounds checking to the routines that write or erase Flash memory to ensure that a routine called with an illegal address does not result in modification of the Flash.

10.4.3. System Clock

12. If operating from an external crystal, be advised that crystal performance is susceptible to electrical interference and is sensitive to layout and to changes in temperature. If the system is operating in an electrically noisy environment, use the internal oscillator or use an external CMOS clock.
13. If operating from the external oscillator, switch to the internal oscillator during Flash write or erase operations. The external oscillator can continue to run, and the CPU can switch back to the external oscillator after the Flash operation has completed.

Additional Flash recommendations and example code can be found in *AN201, "Writing to Flash from Firmware"*, available from the Silicon Laboratories web site.

C8051F300/1/2/3/4/5

NOTES:

11. Oscillators

C8051F300/1/2/3/4/5 devices include a programmable internal oscillator and an external oscillator drive circuit. The internal oscillator can be enabled/disabled and calibrated using the OSCICN and OSCICL registers, as shown in Figure 11.1. The system clock can be sourced by the external oscillator circuit, the internal oscillator, or a scaled version of the internal oscillator. The internal oscillator's electrical specifications are given in Table 11.1 on page 99.

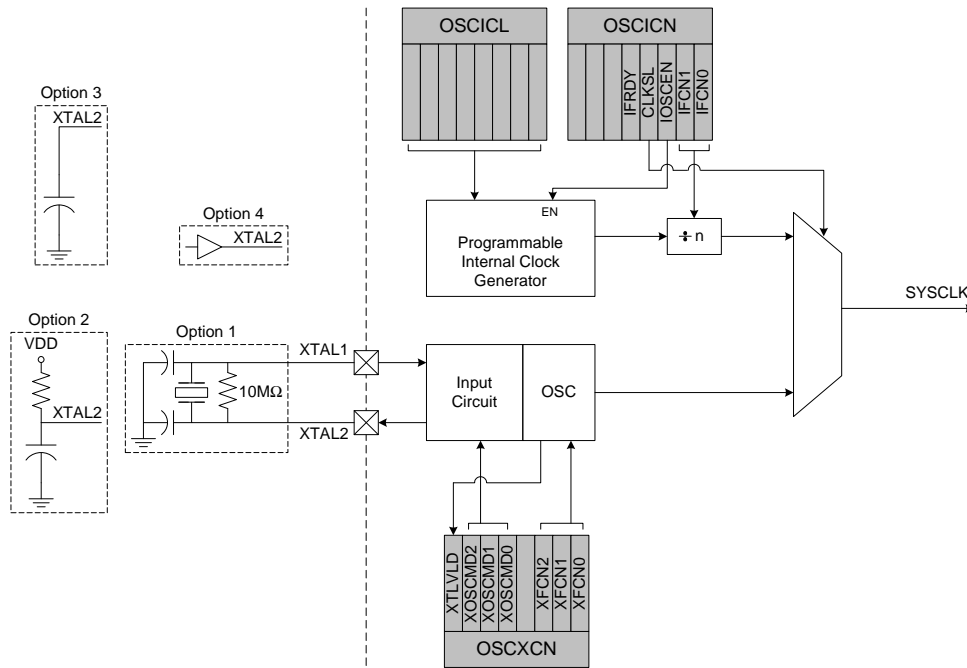


Figure 11.1. Oscillator Diagram

11.1. Programmable Internal Oscillator

All C8051F300/1/2/3/4/5 devices include a programmable internal oscillator that defaults as the system clock after a system reset. The internal oscillator period can be adjusted via the OSCICL register as defined by SFR Definition 11.1. On C8051F300/1 devices, OSCICL is factory calibrated to obtain a 24.5 MHz frequency. On C8051F302/3/4/5 devices, the oscillator frequency is a nominal 20 MHz and may vary $\pm 20\%$ from device-to-device.

Electrical specifications for the precision internal oscillator are given in Table 11.1 on page 99. The programmed internal oscillator frequency must not exceed 25 MHz. Note that the system clock may be derived from the programmed internal oscillator divided by 1, 2, 4, or 8, as defined by the IFCN bits in register OSCICN. The divide value defaults to 8 following a reset.

C8051F300/1/2/3/4/5

SFR Definition 11.1. OSCICL: Internal Oscillator Calibration

| R/W | R/W | R/W | R/W | R/W | R/W | R/W | R/W | Reset Value |
|------|------|------|------|------|------|------|------|----------------------|
| — | | | | | | | | Variable |
| Bit7 | Bit6 | Bit5 | Bit4 | Bit3 | Bit2 | Bit1 | Bit0 | SFR Address: 0xB3 |

Bit7: UNUSED. Read = 0. Write = don't care.
 Bits 6–0: OSCICL: Internal Oscillator Calibration Register.
 This register calibrates the internal oscillator period. The reset value for OSCICL defines the internal oscillator base frequency. On C8051F300/1 devices, the reset value is factory calibrated to generate an internal oscillator frequency of 24.5 MHz.

SFR Definition 11.2. OSCICN: Internal Oscillator Control

| R/W | R/W | R/W | R | R/W | R/W | R/W | R/W | Reset Value |
|------|------|------|-------|-------|--------|-------|-------|----------------------|
| — | — | — | IFRDY | CLKSL | IOSCEN | IFCN1 | IFCN0 | 00010100 |
| Bit7 | Bit6 | Bit5 | Bit4 | Bit3 | Bit2 | Bit1 | Bit0 | SFR Address: 0xB2 |

Bits7–5: UNUSED. Read = 000b, Write = don't care.
 Bit4: IFRDY: Internal Oscillator Frequency Ready Flag.
 0: Internal Oscillator is not running at programmed frequency.
 1: Internal Oscillator is running at programmed frequency.
 Bit3: CLKSL: System Clock Source Select Bit.
 0: SYSCLK derived from the Internal Oscillator, and scaled as per the IFCN bits.
 1: SYSCLK derived from the External Oscillator circuit.
 Bit2: IOSCEN: Internal Oscillator Enable Bit.
 0: Internal Oscillator Disabled.
 1: Internal Oscillator Enabled.
 Bits1–0: IFCN1-0: Internal Oscillator Frequency Control Bits.
 00: SYSCLK derived from Internal Oscillator divided by 8.
 01: SYSCLK derived from Internal Oscillator divided by 4.
 10: SYSCLK derived from Internal Oscillator divided by 2.
 11: SYSCLK derived from Internal Oscillator divided by 1.

Table 11.1. Internal Oscillator Electrical Characteristics

–40 to +85 °C unless otherwise specified

| Parameter | Conditions | Min | Typ | Max | Units |
|--|--------------------------------------|------|------|-----|-------|
| Calibrated Internal Oscillator Frequency | C8051F300/1 devices –40 to +85 °C | 24 | 24.5 | 25 | MHz |
| | C8051F300/1 devices 0 to +70 °C | 24.3 | 24.7 | 25 | MHz |
| Uncalibrated Internal Oscillator Frequency | C8051F302/3/4/5 devices | 16 | 20 | 24 | MHz |
| Internal Oscillator Supply Current (from V _{DD}) | OSCICN.2 = 1 | | 450 | | μA |

11.2. External Oscillator Drive Circuit

The external oscillator circuit may drive an external crystal, ceramic resonator, capacitor, or RC network. A CMOS clock may also provide a clock input. For a crystal or ceramic resonator configuration, the crystal/resonator must be wired across the XTAL1 and XTAL2 pins as shown in Option 1 of Figure 11.1. A 10 MΩ resistor also must be wired across the XTAL2 and XTAL1 pins for the crystal/resonator configuration. In RC, capacitor, or CMOS clock configuration, the clock source should be wired to the XTAL2 pin as shown in Option 2, 3, or 4 of Figure 11.1. The type of external oscillator must be selected in the OSCXCN register, and the frequency control bits (XFCN) must be selected appropriately (see SFR Definition 11.3).

Important Note on External Oscillator Usage: Port pins must be configured when using the external oscillator circuit. When the external oscillator drive circuit is enabled in crystal/resonator mode, Port pins P0.2 and P0.3 are occupied as XTAL1 and XTAL2 respectively. When the external oscillator drive circuit is enabled in capacitor, RC, or CMOS clock mode, Port pin P0.3 is occupied as XTAL2. The Port I/O Crossbar should be configured to skip the occupied Port pins; see [Section “12.1. Priority Crossbar Decoder” on page 104](#) for Crossbar configuration. Additionally, when using the external oscillator circuit in crystal/resonator, capacitor, or RC mode, the associated Port pins should be configured as **analog inputs**. In CMOS clock mode, the associated pin should be configured as a **digital input**. See [Section “12.2. Port I/O Initialization” on page 106](#) for details on Port input mode selection.

11.3. System Clock Selection

The CLKSL bit in register OSCICN selects which oscillator is used as the system clock. CLKSL must be set to ‘1’ for the system clock to run from the external oscillator; however the external oscillator may still clock peripherals (timers, PCA) when the internal oscillator is selected as the system clock. The system clock may be switched on-the-fly between the internal and external oscillator, so long as the selected oscillator is enabled and has settled. The internal oscillator requires little start-up time and may be enabled and selected as the system clock in the same write to OSCICN. External crystals and ceramic resonators typically require a start-up time before they are settled and ready for use as the system clock. The Crystal Valid Flag (XTLVLD in register OSCXCN) is set to ‘1’ by hardware when the external oscillator is settled. To avoid reading a false XTLVLD, in crystal mode software should delay at least 1 ms between enabling the external oscillator and checking XTLVLD. RC and C modes typically require no start-up time.

C8051F300/1/2/3/4/5

SFR Definition 11.3. OSCXCN: External Oscillator Control

| | | | | | | | | |
|--------|---------|---------|---------|------|-------|-------|-------|----------------------|
| R | R/W | R/W | R/W | R | R/W | R/W | R/W | Reset Value |
| XTLVLD | XOSCMD2 | XOSCMD1 | XOSCMD0 | — | XFCN2 | XFCN1 | XFCN0 | 00000000 |
| Bit7 | Bit6 | Bit5 | Bit4 | Bit3 | Bit2 | Bit1 | Bit0 | SFR Address: 0xB1 |

- Bit7: XTLVLD: Crystal Oscillator Valid Flag.
(Read only when XOSCMD = 11x.)
0: Crystal Oscillator is unused or not yet stable.
1: Crystal Oscillator is running and stable.
- Bits6–4: XOSCMD2-0: External Oscillator Mode Bits.
00x: External Oscillator circuit off.
010: External CMOS Clock Mode.
011: External CMOS Clock Mode with divide by 2 stage.
100: RC Oscillator Mode with divide by 2 stage.
101: Capacitor Oscillator Mode with divide by 2 stage.
110: Crystal Oscillator Mode.
111: Crystal Oscillator Mode with divide by 2 stage.
- Bit3: RESERVED. Read = 0, Write = don't care.
- Bits2–0: XFCN2-0: External Oscillator Frequency Control Bits.
000-111: See table below:

| XFCN | Crystal (XOSCMD = 11x) | RC (XOSCMD = 10x) | C (XOSCMD = 10x) |
|------|--|--|------------------|
| 000 | $f \leq 32 \text{ kHz}$ | $f \leq 25 \text{ kHz}$ | K Factor = 0.87 |
| 001 | $32 \text{ kHz} < f \leq 84 \text{ kHz}$ | $25 \text{ kHz} < f \leq 50 \text{ kHz}$ | K Factor = 2.6 |
| 010 | $84 \text{ kHz} < f \leq 225 \text{ kHz}$ | $50 \text{ kHz} < f \leq 100 \text{ kHz}$ | K Factor = 7.7 |
| 011 | $225 \text{ kHz} < f \leq 590 \text{ kHz}$ | $100 \text{ kHz} < f \leq 200 \text{ kHz}$ | K Factor = 22 |
| 100 | $590 \text{ kHz} < f \leq 1.5 \text{ MHz}$ | $200 \text{ kHz} < f \leq 400 \text{ kHz}$ | K Factor = 65 |
| 101 | $1.5 \text{ MHz} < f \leq 4 \text{ MHz}$ | $400 \text{ kHz} < f \leq 800 \text{ kHz}$ | K Factor = 180 |
| 110 | $4 \text{ MHz} < f \leq 10 \text{ MHz}$ | $800 \text{ kHz} < f \leq 1.6 \text{ MHz}$ | K Factor = 664 |
| 111 | $10 \text{ MHz} < f \leq 30 \text{ MHz}$ | $1.6 \text{ MHz} < f \leq 3.2 \text{ MHz}$ | K Factor = 1590 |

CRYSTAL MODE (Circuit from Figure 11.1, Option 1; XOSCMD = 11x)
Choose XFCN value to match crystal frequency.

RC MODE (Circuit from Figure 11.1, Option 2; XOSCMD = 10x)
Choose XFCN value to match frequency range:
 $f = 1.23(10^3) / (R \times C)$, where
f = frequency of oscillation in MHz
C = capacitor value in pF
R = Pull-up resistor value in k Ω

C MODE (Circuit from Figure 11.1, Option 3; XOSCMD = 10x)
Choose K Factor (KF) for the oscillation frequency desired:
 $f = KF / (C \times V_{DD})$, where
f = frequency of oscillation in MHz
C = capacitor value the XTAL2 pin in pF
 V_{DD} = Power Supply on MCU in volts

11.4. External Crystal Example

If a crystal or ceramic resonator is used as an external oscillator source for the MCU, the circuit should be configured as shown in Figure 11.1, Option 1. The External Oscillator Frequency Control value (XFCN) should be chosen from the Crystal column of the table in SFR Definition 11.3 (OSCXCN register). For example, an 11.0592 MHz crystal requires an XFCN setting of 111b.

When the crystal oscillator is first enabled, the oscillator amplitude detection circuit requires a settling time to achieve proper bias. Introducing a delay of 1 ms between enabling the oscillator and checking the XTLVLD bit will prevent a premature switch to the external oscillator as the system clock. Switching to the external oscillator before the crystal oscillator has stabilized can result in unpredictable behavior. The recommended procedure is:

- Step 1. Force the XTAL1 and XTAL2 pins low by writing 0's to the port latch.
- Step 2. Configure XTAL1 and XTAL2 as analog inputs.
- Step 3. Enable the external oscillator.
- Step 4. Wait at least 1 ms.
- Step 5. Poll for XTLVLD => '1'.
- Step 6. Switch the system clock to the external oscillator.

Note: Tuning-fork crystals may require additional settling time before XTLVLD returns a valid result.

The capacitors shown in the external crystal configuration provide the load capacitance required by the crystal for correct oscillation. These capacitors are “in series” as seen by the crystal and “in parallel” with the stray capacitance of the XTAL1 and XTAL2 pins.

Note: The load capacitance depends upon the crystal and the manufacturer. Please refer to the crystal data sheet when completing these calculations.

For example, a tuning-fork crystal of 32.768 kHz with a recommended load capacitance of 12.5 pF should use the configuration shown in Figure 12.1, Option 1. The total value of the capacitors and the stray capacitance of the XTAL pins should equal 25 pF. With a stray capacitance of 3 pF per pin, the 22 pF capacitors yield an equivalent capacitance of 12.5 pF across the crystal, as shown in Figure 11.2.

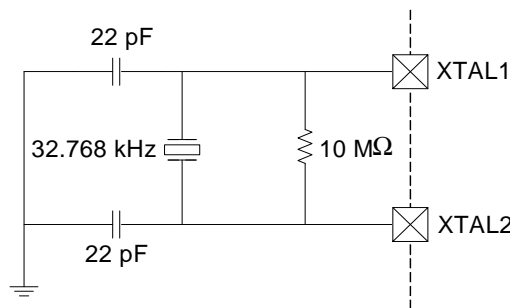


Figure 11.2. 32.768 kHz External Crystal Example

C8051F300/1/2/3/4/5

11.5. External RC Example

If an RC network is used as an external oscillator source for the MCU, the circuit should be configured as shown in Figure 11.1, Option 2. The capacitor should be no greater than 100 pF; however for very small capacitors, the total capacitance may be dominated by parasitic capacitance in the PCB layout. To determine the required External Oscillator Frequency Control value (XFCN) in the OSCXCN Register, first select the RC network value to produce the desired frequency of oscillation. If the frequency desired is 100 kHz, let $R = 246 \text{ k}\Omega$ and $C = 50 \text{ pF}$:

$$f = 1.23(10^3) / RC = 1.23(10^3) / [246 \times 50] = 0.1 \text{ MHz} = 100 \text{ kHz}$$

Referring to the table in SFR Definition 11.3, the required XFCN setting is 010b.

11.6. External Capacitor Example

If a capacitor is used as an external oscillator for the MCU, the circuit should be configured as shown in Figure 11.1, Option 3. The capacitor should be no greater than 100 pF; however for very small capacitors, the total capacitance may be dominated by parasitic capacitance in the PCB layout. To determine the required External Oscillator Frequency Control value (XFCN) in the OSCXCN Register, select the capacitor to be used and find the frequency of oscillation from the equations below. Assume $V_{DD} = 3.0 \text{ V}$ and $f = 150 \text{ kHz}$:

$$f = KF / (C \times V_{DD})$$

$$0.150 \text{ MHz} = KF / (C \times 3.0)$$

Since the frequency of roughly 150 kHz is desired, select the K Factor from the table in SFR Definition 11.3 as $KF = 22$:

$$0.150 \text{ MHz} = 22 / (C \times 3.0)$$

$$C \times 3.0 = 22 / 0.150 \text{ MHz}$$

$$C = 146.6 / 3.0 \text{ pF} = 48.8 \text{ pF}$$

Therefore, the XFCN value to use in this example is 011b and $C = 50 \text{ pF}$.

12. Port Input/Output

Digital and analog resources are available through a byte-wide digital I/O Port, Port0. Each of the Port pins can be defined as general-purpose I/O (GPIO), analog input, or assigned to one of the internal digital resources as shown in Figure 12.3. The designer has complete control over which functions are assigned, limited only by the number of physical I/O pins. This resource assignment flexibility is achieved through the use of a Priority Crossbar Decoder. Note that the state of a Port I/O pin can always be read in the corresponding Port latch, regardless of the Crossbar settings.

The Crossbar assigns the selected internal digital resources to the I/O pins based on the Priority Decoder (Figure 12.3 and Figure 12.4). The registers XBR0, XBR1, and XBR2, defined in SFR Definition 12.1, SFR Definition 12.2, and SFR Definition 12.3 are used to select internal digital functions.

All Port I/Os are 5 V tolerant (refer to Figure 12.2 for the Port cell circuit). The Port I/O cells are configured as either push-pull or open-drain in the Port0 Output Mode register (P0MDOUT). Complete Electrical Specifications for Port I/O are given in Table 12.1 on page 110.

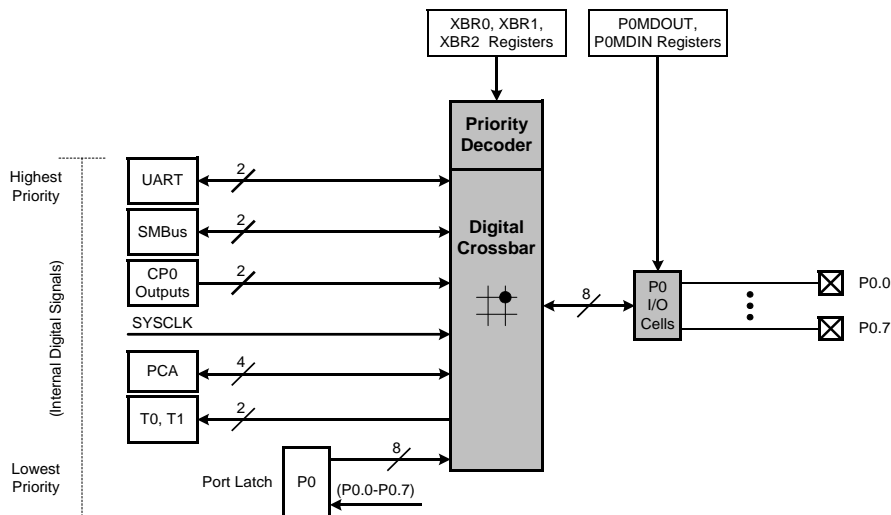


Figure 12.1. Port I/O Functional Block Diagram

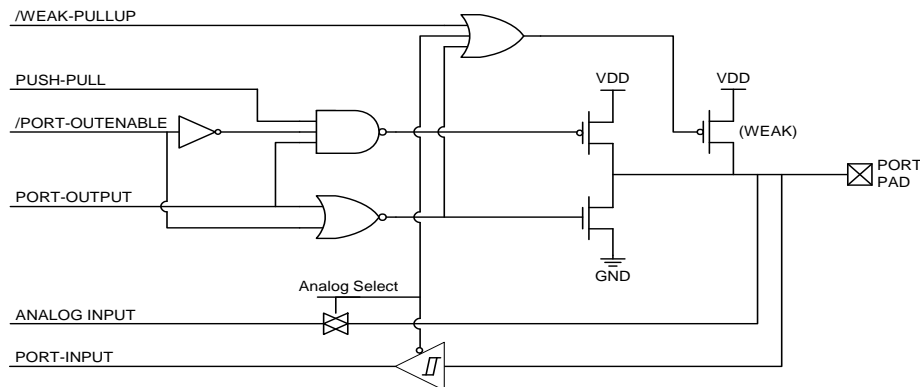


Figure 12.2. Port I/O Cell Block Diagram

C8051F300/1/2/3/4/5

12.1. Priority Crossbar Decoder

The Priority Crossbar Decoder (Figure 12.3) assigns a priority to each I/O function, starting at the top with UART0. When a digital resource is selected, the least significant unassigned Port pin is assigned to that resource (excluding UART0, which is always at pins 4 and 5). If a Port pin is assigned, the Crossbar skips that pin when assigning the next selected resource. Additionally, the Crossbar will skip Port pins whose associated bits in the XBR0 register are set. The XBR0 register allows software to skip Port pins that are to be used for analog input or GPIO.

Important Note on Crossbar Configuration: If a Port pin is claimed by a peripheral without use of the Crossbar, its corresponding XBR0 bit should be set. This applies to P0.0 if VREF is enabled, P0.3 and/or P0.2 if the external oscillator circuit is enabled, P0.6 if the ADC is configured to use the external conversion start signal (CNVSTR), and any selected ADC or Comparator inputs. The Crossbar skips selected pins as if they were already assigned, and moves to the next unassigned pin. Figure 12.3 shows the Crossbar Decoder priority with no Port pins skipped (XBR0 = 0x00); Figure 12.4 shows the Crossbar Decoder priority with pins 6 and 2 skipped (XBR0 = 0x44).

| | P0 | | | | | | | | Signals Unavailable |
|------------|-----------|----|----|--------|---|---|---|---|---------------------|
| SF Signals | VREF | x1 | x2 | CNVSTR | | | | | |
| PIN I/O | 0 | 1 | 2 | 3 | 4 | 5 | 6 | 7 | |
| TX0 | | | | | ■ | | | | |
| RX0 | | | | | | ■ | | | |
| SDA | ■ | | | | | | | | |
| SCL | | ■ | | | | | | | |
| CP0 | ■ | | ■ | | | | | | |
| CP0A | ■ | ■ | ■ | ■ | | | | | |
| SYSCLK | ■ | ■ | ■ | ■ | ■ | | | | |
| CEX0 | ■ | ■ | ■ | ■ | ■ | ■ | | | |
| CEX1 | | ■ | ■ | ■ | ■ | ■ | ■ | | |
| CEX2 | | | ■ | ■ | ■ | ■ | ■ | ■ | |
| ECI | ■ | ■ | ■ | ■ | ■ | ■ | ■ | ■ | ■ |
| T0 | ■ | ■ | ■ | ■ | ■ | ■ | ■ | ■ | ■ |
| T1 | ■ | ■ | ■ | ■ | ■ | ■ | ■ | ■ | ■ |
| | 0 | 0 | 0 | 0 | 0 | 0 | 0 | 0 | |
| | XBR0[0:7] | | | | | | | | |

- Port pin potentially available to peripheral
- SF Signals** Special Function Signals are not assigned by the crossbar. When these signals are enabled, the CrossBar must be manually configured to skip their corresponding port pins. Note: x1 refers to the XTAL1 signal; x2 refers to the XTAL2 signal.

Figure 12.3. Crossbar Priority Decoder with XBR0 = 0x00

| | | P0 | | | | | | | |
|------------|------|-----------|----|--------|---|---|---|---|---------------------|
| SF Signals | VREF | x1 | x2 | CNVSTR | | | | | |
| PIN I/O | 0 | 1 | 2 | 3 | 4 | 5 | 6 | 7 | |
| TX0 | | | | | | | | | Signals Unavailable |
| RX0 | | | | | | | | | |
| SDA | | | | | | | | | |
| SCL | | | | | | | | | |
| CP0 | | | | | | | | | |
| CP0A | | | | | | | | | |
| SYSCLK | | | | | | | | | |
| CEX0 | | | | | | | | | |
| CEX1 | | | | | | | | | |
| CEX2 | | | | | | | | | |
| ECI | | | | | | | | | |
| T0 | | | | | | | | | |
| T1 | | | | | | | | | |
| | 0 | 0 | 1 | 0 | 0 | 0 | 1 | 0 | |
| | | XBR0[0:7] | | | | | | | |

- Port pin potentially available to peripheral
- Port pin skipped by CrossBar
- SF Signals** Special Function Signals are not assigned by the crossbar. When these signals are enabled, the CrossBar must be manually configured to skip their corresponding port pins. Note: x1 refers to the XTAL1 signal; x2 refers to the XTAL2 signal.

Figure 12.4. Crossbar Priority Decoder with XBR0 = 0x44

Registers XBR1 and XBR2 are used to assign the digital I/O resources to the physical I/O Port pins. Note that when the SMBus is selected, the Crossbar assigns both pins associated with the SMBus (SDA and SCL). Either or both of the UART signals may be selected by the Crossbar. UART0 pin assignments are fixed for bootloading purposes: when UART TX0 is selected, it is always assigned to P0.4; when UART RX0 is selected, it is always assigned to P0.5. Standard Port I/Os appear contiguously after the prioritized functions have been assigned. For example, if assigned functions that take the first 3 Port I/O (P0.[2:0]), 5 Port I/O are left for analog or GPIO use.

C8051F300/1/2/3/4/5

12.2. Port I/O Initialization

Port I/O initialization consists of the following steps:

- Step 1. Select the input mode (analog or digital) for all Port pins, using the Port0 Input Mode register (P0MDIN).
- Step 2. Select the output mode (open-drain or push-pull) for all Port pins, using the Port0 Output Mode register (P0MDOUT).
- Step 3. Set XBR0 to skip any pins selected as analog inputs or special functions.
- Step 4. Assign Port pins to desired peripherals.
- Step 5. Enable the Crossbar.

All Port pins must be configured as either analog or digital inputs. Any pins to be used as Comparator or ADC inputs should be configured as an analog inputs. When a pin is configured as an analog input, its weak pull-up, digital driver, and digital receiver is disabled. This process saves power and reduces noise on the analog input. Pins configured as digital inputs may still be used by analog peripherals; however this practice is not recommended.

Additionally, all analog input pins should be configured to be skipped by the Crossbar (accomplished by setting the associated bits in XBR0). Port input mode is set in the P0MDIN register, where a '1' indicates a digital input, and a '0' indicates an analog input. All pins default to digital inputs on reset. See SFR Definition 12.5 for the P0MDIN register details.

The output driver characteristics of the I/O pins are defined using the Port0 Output Mode register P0MDOUT (see SFR Definition 12.6). Each Port Output driver can be configured as either open drain or push-pull. This selection is required even for the digital resources selected in the XBRn registers, and is not automatic. The only exception to this is the SMBus (SDA, SCL) pins, which are configured as open-drain regardless of the P0MDOUT settings. When the WEAKPUD bit in XBR2 is '0', a weak pull-up is enabled for all Port I/O configured as open-drain. WEAKPUD does not affect the push-pull Port I/O. Furthermore, the weak pull-up is turned off on an open-drain output that is driving a '0' to avoid unnecessary power dissipation.

Registers XBR0, XBR1 and XBR2 must be loaded with the appropriate values to select the digital I/O functions required by the design. Setting the XBARE bit in XBR2 to '1' enables the Crossbar. Until the Crossbar is enabled, the external pins remain as standard digital inputs (output drivers disabled) regardless of the XBRn Register settings. For given XBRn Register settings, one can determine the I/O pin-out using the Priority Decode Table; as an alternative, the Configuration Wizard utility of the Silicon Labs IDE software will determine the Port I/O pin assignments based on the XBRn Register settings.

SFR Definition 12.1. XBR0: Port I/O Crossbar Register 0

| R/W | R/W | R/W | R/W | R/W | R/W | R/W | R/W | Reset Value |
|------|-------|-------|-------|-------|-------|-------|-------|----------------------|
| — | XSKP6 | XSKP5 | XSKP4 | XSKP3 | XSKP2 | XSKP1 | XSKP0 | 00000000 |
| Bit7 | Bit6 | Bit5 | Bit4 | Bit3 | Bit2 | Bit1 | Bit0 | SFR Address: 0xE1 |

Bit7: UNUSED. Read = 0b; Write = don't care.
 Bits6–0: XSKP[6:0]: Crossbar Skip Enable Bits
 These bits select Port pins to be skipped by the Crossbar Decoder. Port pins used as analog inputs (for ADC or Comparator) or used as special functions (VREF input, external oscillator circuit, CNVSTR input) should be skipped by the Crossbar.
 0: Corresponding P0.n pin is not skipped by the Crossbar.
 1: Corresponding P0.n pin is skipped by the Crossbar.

SFR Definition 12.2. XBR1: Port I/O Crossbar Register 1

| R/W | R/W | R/W | R/W | R/W | R/W | R/W | R/W | Reset Value |
|--------|---------|--------|--------|---------|--------|--------|------|----------------------|
| PCA0ME | CP0AOEN | CP0OEN | SYSCKE | SMB0OEN | URX0EN | UTX0EN | | 00000000 |
| Bit7 | Bit6 | Bit5 | Bit4 | Bit3 | Bit2 | Bit1 | Bit0 | SFR Address: 0xE2 |

Bits7–6: PCA0ME: PCA Module I/O Enable Bits
 00: All PCA I/O unavailable at Port pins.
 01: CEX0 routed to Port pin.
 10: CEX0, CEX1 routed to Port pins.
 11: CEX0, CEX1, CEX2 routed to Port pins.
 Bit5: CP0AOEN: Comparator0 Asynchronous Output Enable
 0: Asynchronous CP0 unavailable at Port pin.
 1: Asynchronous CP0 routed to Port pin.
 Bit4: CP0OEN: Comparator0 Output Enable
 0: CP0 unavailable at Port pin.
 1: CP0 routed to Port pin.
 Bit3: SYSCKE: /SYSCLK Output Enable
 0: /SYSCLK unavailable at Port pin.
 1: /SYSCLK output routed to Port pin.
 Bit2: SMB0OEN: SMBus I/O Enable
 0: SMBus I/O unavailable at Port pins.
 1: SDA, SCL routed to Port pins.
 Bit1: URX0EN: UART RX Enable
 0: UART RX0 unavailable at Port pin.
 1: UART RX0 routed to Port pin P0.5.
 Bit0: UTX0EN: UART TX Output Enable
 0: UART TX0 unavailable at Port pin.
 1: UART TX0 routed to Port pin P0.4.

C8051F300/1/2/3/4/5

SFR Definition 12.3. XBR2: Port I/O Crossbar Register 2

| R/W | R/W | R/W | R/W | R/W | R/W | R/W | R/W | Reset Value |
|---------|-------|------|------|------|------|------|------|----------------------|
| WEAKPUD | XBARE | — | — | — | T1E | T0E | ECIE | 00000000 |
| Bit7 | Bit6 | Bit5 | Bit4 | Bit3 | Bit2 | Bit1 | Bit0 | SFR Address: 0xE3 |

Bit7: WEAKPUD: Port I/O Weak Pull-up Disable.
0: Weak Pull-ups enabled (except for Ports whose I/O are configured as push-pull).
1: Weak Pull-ups disabled.

Bit6: XBARE: Crossbar Enable.
0: Crossbar disabled.
1: Crossbar enabled.

Bits5–3: UNUSED: Read = 000b. Write = don't care.

Bit2: T1E: T1 Enable.
0: T1 unavailable at Port pin.
1: T1 routed to Port pin.

Bit1: T0E: T0 Enable.
0: T0 unavailable at Port pin.
1: T0 routed to Port pin.

Bit0: ECIE: PCA0 Counter Input Enable.
0: ECI unavailable at Port pin.
1: ECI routed to Port pin.

12.3. General Purpose Port I/O

Port pins that remain unassigned by the Crossbar and are not used by analog peripherals can be used for general purpose I/O. Port0 is accessed through a corresponding special function register (SFR) that is both byte addressable and bit addressable. When writing to a Port, the value written to the SFR is latched to maintain the output data value at each pin. When reading, the logic levels of the Port's input pins are returned regardless of the XBRn settings (i.e., even when the pin is assigned to another signal by the Crossbar, the Port register can always read its corresponding Port I/O pin). The exception to this is the execution of the read-modify-write instructions. The read-modify-write instructions when operating on a Port SFR are the following: ANL, ORL, XRL, JBC, CPL, INC, DEC, DJNZ and MOV, CLR or SET, when the destination is an individual bit in a Port SFR. For these instructions, the value of the register (not the pin) is read, modified, and written back to the SFR.

SFR Definition 12.4. P0: Port0 Register

| R/W | R/W | R/W | R/W | R/W | R/W | R/W | R/W | Reset Value |
|------|------|------|------|------|------|------|------|--|
| P0.7 | P0.6 | P0.5 | P0.4 | P0.3 | P0.2 | P0.1 | P0.0 | 11111111 |
| Bit7 | Bit6 | Bit5 | Bit4 | Bit3 | Bit2 | Bit1 | Bit0 | SFR Address: (bit addressable) 0x80 |

Bits7–0: P0.[7:0]
 Write - Output appears on I/O pins per XBR0, XBR1, and XBR2 Registers
 0: Logic Low Output.
 1: Logic High Output (open-drain if corresponding P0MDOUT.n bit = 0)
 Read - Always reads '1' if selected as analog input in register P0MDIN. Directly reads Port pin when configured as digital input.
 0: P0.n pin is logic low.
 1: P0.n pin is logic high.

SFR Definition 12.5. P0MDIN: Port0 Input Mode

| R/W | R/W | R/W | R/W | R/W | R/W | R/W | R/W | Reset Value |
|------|------|------|------|------|------|------|------|----------------------|
| | | | | | | | | 11111111 |
| Bit7 | Bit6 | Bit5 | Bit4 | Bit3 | Bit2 | Bit1 | Bit0 | SFR Address: 0xF1 |

Bits7–0: Input Configuration Bits for P0.7-P0.0 (respectively)
 Port pins configured as analog inputs have their weak pull-up, digital driver, and digital receiver disabled.
 0: Corresponding P0.n pin is configured as an analog input.
 1: Corresponding P0.n pin is configured as a digital input.

C8051F300/1/2/3/4/5

SFR Definition 12.6. P0MDOUT: Port0 Output Mode

| | | | | | | | | |
|------|------|------|------|------|------|------|------|----------------------|
| R/W | R/W | R/W | R/W | R/W | R/W | R/W | R/W | Reset Value |
| | | | | | | | | 00000000 |
| Bit7 | Bit6 | Bit5 | Bit4 | Bit3 | Bit2 | Bit1 | Bit0 | SFR Address: 0xA4 |

Bits7–0: Output Configuration Bits for P0.7–P0.0 (respectively): ignored if corresponding bit in register P0MDIN is logic 0.
 0: Corresponding P0.n Output is open-drain.
 1: Corresponding P0.n Output is push-pull.

(Note: When SDA and SCL appear on any of the Port I/O, each are open-drain regardless of the value of P0MDOUT).

Table 12.1. Port I/O DC Electrical Characteristics

$V_{DD} = 2.7$ to 3.6 V, -40 to $+85$ °C unless otherwise specified.

| Parameters | Conditions | Min | Typ | Max | Units |
|-----------------------|---|----------------------------------|----------------|-----------------|---------|
| Output High Voltage | $I_{OH} = -3$ mA, Port I/O push-pull $I_{OH} = -10$ μ A, Port I/O push-pull $I_{OH} = -10$ mA, Port I/O push-pull | $V_{DD} - 0.7$ $V_{DD} - 0.1$ | $V_{DD} - 0.8$ | — | V |
| Output Low Voltage | $I_{OL} = 8.5$ mA $I_{OL} = 10$ μ A $I_{OL} = 25$ mA | — — — | — — 1.0 | 0.6 0.1 — | V |
| Input High Voltage | | 2.0 | — | — | V |
| Input Low Voltage | | — | — | 0.8 | V |
| Input Leakage Current | Weak Pull-up Off Weak Pull-up On, $V_{IN} = 0$ V | — | 25 | ± 1 40 | μ A |

C8051F300/1/2/3/4/5

13.1. Supporting Documents

It is assumed the reader is familiar with or has access to the following supporting documents:

1. The I²C-Bus and How to Use It (including specifications), Philips Semiconductor.
2. The I²C-Bus Specification – Version 2.0, Philips Semiconductor.
3. System Management Bus Specification – Version 1.1, SBS Implementers Forum.

13.2. SMBus Configuration

Figure 13.2 shows a typical SMBus configuration. The SMBus specification allows any recessive voltage between 3.0 and 5.0 V; different devices on the bus may operate at different voltage levels. The bidirectional SCL (serial clock) and SDA (serial data) lines must be connected to a positive power supply voltage through a pull-up resistor or similar circuit. Every device connected to the bus must have an open-drain or open-collector output for both the SCL and SDA lines, so that both are pulled high (recessive state) when the bus is free. The maximum number of devices on the bus is limited only by the requirement that the rise and fall times on the bus not exceed 300 ns and 1000 ns, respectively.

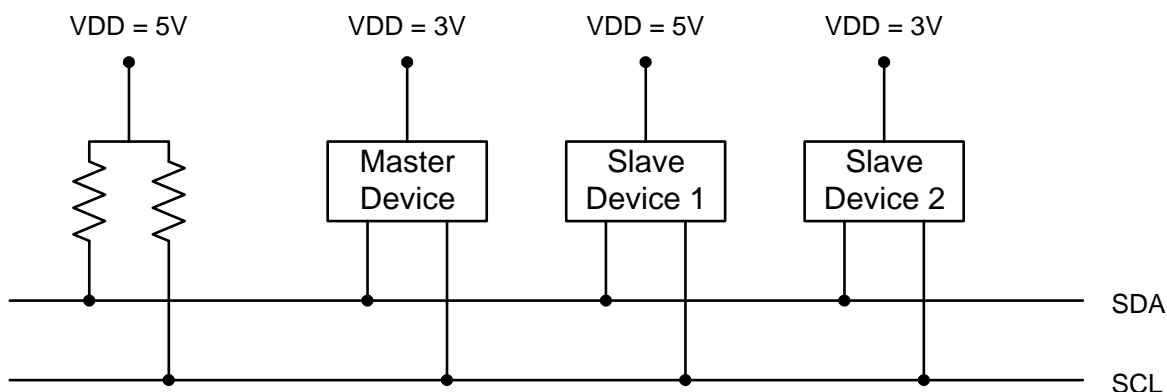


Figure 13.2. Typical SMBus Configuration

13.3. SMBus Operation

Two types of data transfers are possible: data transfers from a master transmitter to an addressed slave receiver (WRITE), and data transfers from an addressed slave transmitter to a master receiver (READ). The master device initiates both types of data transfers and provides the serial clock pulses on SCL. The SMBus interface may operate as a master or a slave, and multiple master devices on the same bus are supported. If two or more masters attempt to initiate a data transfer simultaneously, an arbitration scheme is employed with a single master always winning the arbitration. Note that it is not necessary to specify one device as the Master in a system; any device that transmits a START and a slave address becomes the master for the duration of that transfer.

A typical SMBus transaction consists of a START condition followed by an address byte (Bits7–1: 7-bit slave address; Bit0: R/W direction bit), one or more bytes of data, and a STOP condition. Each byte that is received (by a master or slave) must be acknowledged (ACK) with a low SDA during a high SCL (see Figure 13.3). If the receiving device does not ACK, the transmitting device will read a NACK (not acknowledge), which is a high SDA during a high SCL.

The direction bit (R/W) occupies the least significant bit position of the address byte. The direction bit is set to logic 1 to indicate a "READ" operation and cleared to logic 0 to indicate a "WRITE" operation.

All transactions are initiated by a master, with one or more addressed slave devices as the target. The master generates the START condition and then transmits the slave address and direction bit. If the transaction is a WRITE operation from the master to the slave, the master transmits the data a byte at a time waiting for an ACK from the slave at the end of each byte. For READ operations, the slave transmits the data waiting for an ACK from the master at the end of each byte. At the end of the data transfer, the master generates a STOP condition to terminate the transaction and free the bus. Figure 13.3 illustrates a typical SMBus transaction.

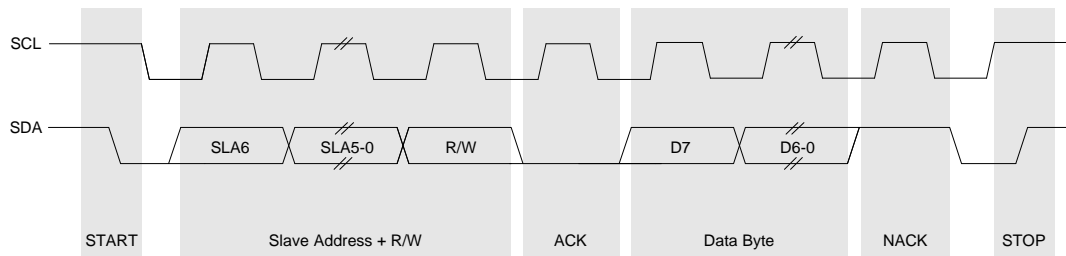


Figure 13.3. SMBus Transaction

13.3.1. Arbitration

A master may start a transfer only if the bus is free. The bus is free after a STOP condition or after the SCL and SDA lines remain high for a specified time (see [Section "13.3.4. SCL High \(SMBus Free\) Timeout" on page 114](#)). In the event that two or more devices attempt to begin a transfer at the same time, an arbitration scheme is employed to force one master to give up the bus. The master devices continue transmitting until one attempts a HIGH while the other transmits a LOW. Since the bus is open-drain, the bus will be pulled LOW. The master attempting the HIGH will detect a LOW SDA and lose the arbitration. The winning master continues its transmission without interruption; the losing master becomes a slave and receives the rest of the transfer if addressed. This arbitration scheme is non-destructive: one device always wins, and no data is lost.

C8051F300/1/2/3/4/5

13.3.2. Clock Low Extension

SMBus provides a clock synchronization mechanism, similar to I²C, which allows devices with different speed capabilities to coexist on the bus. A clock-low extension is used during a transfer in order to allow slower slave devices to communicate with faster masters. The slave may temporarily hold the SCL line LOW to extend the clock low period, effectively decreasing the serial clock frequency.

13.3.3. SCL Low Timeout

If the SCL line is held low by a slave device on the bus, no further communication is possible. Furthermore, the master cannot force the SCL line high to correct the error condition. To solve this problem, the SMBus protocol specifies that devices participating in a transfer must detect any clock cycle held low longer than 25 ms as a “timeout” condition. Devices that have detected the timeout condition must reset the communication no later than 10 ms after detecting the timeout condition.

When the SMBTOE bit in SMB0CF is set, Timer 2 is used to detect SCL low timeouts. Timer 2 is forced to reload when SCL is high, and allowed to count when SCL is low. With Timer 2 enabled and configured to overflow after 25 ms (and SMBTOE set), the Timer 2 interrupt service routine can be used to reset (disable and reenable) the SMBus in the event of an SCL low timeout. Timer 2 configuration details can be found in [Section “15.2. Timer 2” on page 151](#).

13.3.4. SCL High (SMBus Free) Timeout

The SMBus specification stipulates that if the SCL and SDA lines remain high for more than 50 μ s, the bus is designated as free. When the SMBFTE bit in SMB0CF is set, the bus will be considered free if SCL and SDA remain high for more than 10 SMBus clock source periods. If the SMBus is waiting to generate a Master START, the START will be generated following this timeout. Note that a clock source is required for free timeout detection, even in a slave-only implementation.

13.4. Using the SMBus

The SMBus can operate in both Master and Slave modes. The interface provides timing and shifting control for serial transfers; higher level protocol is determined by user software. The SMBus interface provides the following application-independent features:

- Byte-wise serial data transfers
- Clock signal generation on SCL (Master Mode only) and SDA data synchronization
- Timeout/bus error recognition, as defined by the SMB0CF configuration register
- START/STOP timing, detection, and generation
- Bus arbitration
- Interrupt generation
- Status information

SMBus interrupts are generated for each data byte or slave address that is transferred. When transmitting, this interrupt is generated after the ACK cycle so that software may read the received ACK value; when receiving data, this interrupt is generated before the ACK cycle so that software may define the outgoing ACK value. See [Section “13.5. SMBus Transfer Modes” on page 123](#) for more details on transmission sequences.

Interrupts are also generated to indicate the beginning of a transfer when a master (START generated), or the end of a transfer when a slave (STOP detected). Software should read the SMB0CN (SMBus Control register) to find the cause of the SMBus interrupt. The SMB0CN register is described in [Section “13.4.2. SMB0CN Control Register” on page 119](#); Table 13.4 provides a quick SMB0CN decoding reference.

SMBus configuration options include:

- Timeout detection (SCL Low Timeout and/or Bus Free Timeout)
- SDA setup and hold time extensions
- Slave event enable/disable
- Clock source selection

These options are selected in the SMB0CF register, as described in [Section “13.4.1. SMBus Configuration Register” on page 116](#).

13.4.1. SMBus Configuration Register

The SMBus Configuration register (SMB0CF) is used to enable the SMBus Master and/or Slave modes, select the SMBus clock source, and select the SMBus timing and timeout options. When the ENSMB bit is set, the SMBus is enabled for all master and slave events. Slave events may be disabled by setting the INH bit. With slave events inhibited, the SMBus interface will still monitor the SCL and SDA pins; however, the interface will NACK all received addresses and will not generate any slave interrupts. When the INH bit is set, all slave events will be inhibited following the next START (interrupts will continue for the duration of the current transfer).

Table 13.1. SMBus Clock Source Selection

| SMBCS1 | SMBCS0 | SMBus Clock Source |
|--------|--------|----------------------------|
| 0 | 0 | Timer 0 Overflow |
| 0 | 1 | Timer 1 Overflow |
| 1 | 0 | Timer 2 High Byte Overflow |
| 1 | 1 | Timer 2 Low Byte Overflow |

The SMBCS1-0 bits select the SMBus clock source, which is used only when operating as a master or when the Free Timeout detection is enabled. When operating as a master, overflows from the selected source determine the absolute minimum SCL low and high times as defined in Equation 13.1. Note that the selected clock source may be shared by other peripherals so long as the timer is left running at all times. For example, Timer 1 overflows may generate the SMBus and UART baud rates simultaneously. Timer configuration is covered in [Section “15. Timers” on page 143](#).

$$T_{HighMin} = T_{LowMin} = \frac{1}{f_{ClockSourceOverflow}}$$

Equation 13.1. Minimum SCL High and Low Times

The selected clock source should be configured to establish the minimum SCL High and Low times as per Equation 13.1. When the interface is operating as a master (and SCL is not driven or extended by any other devices on the bus), the typical SMBus bit rate is approximated by Equation 13.2.

$$BitRate = \frac{f_{ClockSourceOverflow}}{3}$$

Equation 13.2. Typical SMBus Bit Rate

Figure 13.4 shows the typical SCL generation described by Equation 13.2. Notice that T_{HIGH} is typically twice as large as T_{LOW} . The actual SCL output may vary due to other devices on the bus (SCL may be extended low by slower slave devices, or driven low by contending master devices). The bit rate when operating as a master will never exceed the limits defined by equation Equation 13.1.

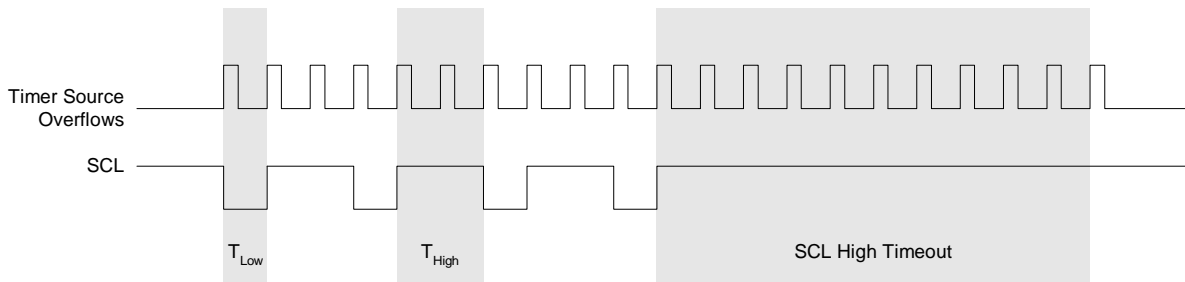


Figure 13.4. Typical SMBus SCL Generation

Setting the EXTHOLD bit extends the minimum setup and hold times for the SDA line. The minimum SDA setup time defines the absolute minimum time that SDA is stable before SCL transitions from low-to-high. The minimum SDA hold time defines the absolute minimum time that the current SDA value remains stable after SCL transitions from high-to-low. EXTHOLD should be set so that the minimum setup and hold times meet the SMBus Specification requirements of 250 ns and 300 ns, respectively. Table 13.2 shows the minimum setup and hold times for the two EXTHOLD settings. Setup and hold time extensions are typically necessary when SYSCCLK is above 10 MHz.

Table 13.2. Minimum SDA Setup and Hold Times

| EXTHOLD | Minimum SDA Setup Time | Minimum SDA Hold Time |
|---------|--|-----------------------|
| 0 | $T_{Low} - 4$ system clocks OR 1 system clock + s/w delay* | 3 system clocks |
| 1 | 11 system clocks | 12 system clocks |

***Note:** Setup Time for ACK bit transmissions and the MSB of all data transfers. The s/w delay occurs between the time SMB0DAT or ACK is written and when SI is cleared. Note that if SI is cleared in the same write that defines the outgoing ACK value, s/w delay is zero.

With the SMBTOE bit set, Timer 2 should be configured to overflow after 25 ms in order to detect SCL low timeouts (see [Section “13.3.3. SCL Low Timeout” on page 114](#)). The SMBus interface will force Timer 2 to reload while SCL is high, and allow Timer 2 to count when SCL is low. The Timer 2 interrupt service routine should be used to reset SMBus communication by disabling and reenabling the SMBus. Timer 2 configuration is described in [Section “15.2. Timer 2” on page 151](#).

SMBus Free Timeout detection can be enabled by setting the SMBFTE bit. When this bit is set, the bus will be considered free if SDA and SCL remain high for more than 10 SMBus clock source periods (see Figure 13.4). When a Free Timeout is detected, the interface will respond as if a STOP was detected (an interrupt will be generated, and STO will be set).

C8051F300/1/2/3/4/5

SFR Definition 13.1. SMB0CF: SMBus Clock/Configuration

| R/W | R/W | R | R/W | R/W | R/W | R/W | R/W | Reset Value |
|-------|------|------|---------|--------|--------|--------|--------|----------------------|
| ENSMB | INH | BUSY | EXTHOLD | SMBTOE | SMBFTE | SMBCS1 | SMBCS0 | 00000000 |
| Bit7 | Bit6 | Bit5 | Bit4 | Bit3 | Bit2 | Bit1 | Bit0 | SFR Address: 0xC1 |

- Bit7:** ENSMB: SMBus Enable.
This bit enables/disables the SMBus interface. When enabled, the interface constantly monitors the SDA and SCL pins.
0: SMBus interface disabled.
1: SMBus interface enabled.
- Bit6:** INH: SMBus Slave Inhibit.
When this bit is set to logic 1, the SMBus does not generate an interrupt when slave events occur. This effectively removes the SMBus slave from the bus. Master Mode interrupts are not affected.
0: SMBus Slave Mode enabled.
1: SMBus Slave Mode inhibited.
- Bit5:** BUSY: SMBus Busy Indicator.
This bit is set to logic 1 by hardware when a transfer is in progress. It is cleared to logic 0 when a STOP or free timeout is sensed.
- Bit4:** EXTHOLD: SMBus Setup and Hold Time Extension Enable.
This bit controls the SDA setup and hold times according to Table 13.2.
0: SDA Extended Setup and Hold Times disabled.
1: SDA Extended Setup and Hold Times enabled.
- Bit3:** SMBTOE: SMBus SCL Timeout Detection Enable.
This bit enables SCL low timeout detection. If set to logic 1, the SMBus forces Timer 2 to reload while SCL is high and allows Timer 2 to count when SCL goes low. If Timer 2 is configured in split mode (T2SPLIT is set), only the high byte of Timer 2 is held in reload while SCL is high. Timer 2 should be programmed to generate interrupts at 25 ms, and the Timer 2 interrupt service routine should reset SMBus communication.
- Bit2:** SMBFTE: SMBus Free Timeout Detection Enable.
When this bit is set to logic 1, the bus will be considered free if SCL and SDA remain high for more than 10 SMBus clock source periods.
- Bits1–0:** SMBCS1-SMBCS0: SMBus Clock Source Selection.
These two bits select the SMBus clock source, which is used to generate the SMBus bit rate. The selected device should be configured according to Equation 13.1.

| SMBCS1 | SMBCS0 | SMBus Clock Source |
|--------|--------|----------------------------|
| 0 | 0 | Timer 0 Overflow |
| 0 | 1 | Timer 1 Overflow |
| 1 | 0 | Timer 2 High Byte Overflow |
| 1 | 1 | Timer 2 Low Byte Overflow |

13.4.2. SMB0CN Control Register

SMB0CN is used to control the interface and to provide status information (see SFR Definition 13.2). The higher four bits of SMB0CN (MASTER, TXMODE, STA, and STO) form a status vector that can be used to jump to service routines. MASTER and TXMODE indicate the master/slave state and transmit/receive modes, respectively.

The STA bit indicates that a START has been detected or generated since the last SMBus interrupt. When set to '1', the STA bit will cause the SMBus to enter Master mode and generate a START when the bus becomes free. STA is not cleared by hardware after the START is generated; it must be cleared by software.

As a master, writing the STO bit will cause the hardware to generate a STOP condition and end the current transfer after the next ACK cycle. STO is cleared by hardware after the STOP condition is generated. As a slave, STO indicates that a STOP condition has been detected since the last SMBus interrupt. STO is also used in slave mode to manage the transition from slave receiver to slave transmitter; see [Section 13.5.4](#) for details on this procedure.

If STO and STA are both set to '1' (while in Master Mode), a STOP followed by a START will be generated.

As a receiver, writing the ACK bit defines the outgoing ACK value; as a transmitter, reading the ACK bit indicates the value received on the last ACK cycle. ACKRQ is set each time a byte is received, indicating that an outgoing ACK value is needed. When ACKRQ is set, software should write the desired outgoing value to the ACK bit before clearing SI. A NACK will be generated if software does not write the ACK bit before clearing SI. SDA will reflect the defined ACK value immediately following a write to the ACK bit; however SCL will remain low until SI is cleared. If a received slave address is not acknowledged, further slave events will be ignored until the next START is detected.

The ARBLOST bit indicates that the interface has lost an arbitration. This may occur anytime the interface is transmitting (master or slave). A lost arbitration while operating as a slave indicates a bus error condition. ARBLOST is cleared by hardware each time SI is cleared.

The SI bit (SMBus Interrupt Flag) is set at the beginning and end of each transfer, after each byte frame, or when an arbitration is lost; see Table 13.3 for more details.

Important Note About the SI Bit: The SMBus interface is stalled while SI is set; thus SCL is held low, and the bus is stalled until software clears SI.

Table 13.3 lists all sources for hardware changes to the SMB0CN bits. Refer to Table 13.4 for SMBus status decoding using the SMB0CN register.

C8051F300/1/2/3/4/5

SFR Definition 13.2. SMB0CN: SMBus Control

| | R | R | R/W | R/W | R | R | R/W | R/W | Reset Value |
|--|--------|--------|------|------|-------|---------|-------------------|------|--------------|
| | MASTER | TXMODE | STA | STO | ACKRQ | ARBLOST | ACK | SI | 00000000 |
| | Bit7 | Bit6 | Bit5 | Bit4 | Bit3 | Bit2 | Bit1 | Bit0 | SFR Address: |
| | | | | | | | (bit addressable) | | 0xC0 |

Bit7: MASTER: SMBus Master/Slave Indicator.
This read-only bit indicates when the SMBus is operating as a master.
0: SMBus operating in Slave Mode.
1: SMBus operating in Master Mode.

Bit6: TXMODE: SMBus Transmit Mode Indicator.
This read-only bit indicates when the SMBus is operating as a transmitter.
0: SMBus in Receiver Mode.
1: SMBus in Transmitter Mode.

Bit5: STA: SMBus Start Flag.
Write:
0: No Start generated.
1: When operating as a master, a START condition is transmitted if the bus is free (If the bus is not free, the START is transmitted after a STOP is received or a free timeout is detected). If STA is set by software as an active Master, a repeated START will be generated after the next ACK cycle.
Read:
0: No Start or repeated Start detected.
1: Start or repeated Start detected.

Bit4: STO: SMBus Stop Flag.
Write:
As a master, setting this bit to '1' causes a STOP condition to be transmitted after the next ACK cycle. STO is cleared to '0' by hardware when the STOP is generated.
As a slave, software manages this bit when switching from Slave Receiver to Slave Transmitter mode. See [Section 13.5.4](#) for details.
Read:
0: No Stop condition detected.
1: Stop condition detected (if in Slave Mode) or pending (if in Master Mode).

Bit3: ACKRQ: SMBus Acknowledge Request.
This read-only bit is set to logic 1 when the SMBus has received a byte and needs the ACK bit to be written with the correct ACK response value.

Bit2: ARBLOST: SMBus Arbitration Lost Indicator.
This read-only bit is set to logic 1 when the SMBus loses arbitration while operating as a transmitter. A lost arbitration while a slave indicates a bus error condition.

Bit1: ACK: SMBus Acknowledge Flag.
This bit defines the outgoing ACK level and records incoming ACK levels. It should be written each time a byte is received (when ACKRQ=1), or read after each byte is transmitted.
0: A "not acknowledge" has been received (if in Transmitter Mode) OR will be transmitted (if in Receiver Mode).
1: An "acknowledge" has been received (if in Transmitter Mode) OR will be transmitted (if in Receiver Mode).

Bit0: SI: SMBus Interrupt Flag.
This bit is set by hardware under the conditions listed in Table 13.3. SI must be cleared by software. While SI is set, SCL is held low and the SMBus is stalled.

Table 13.3. Sources for Hardware Changes to SMB0CN

| Bit | Set by Hardware When: | Cleared by Hardware When: |
|---------|---|--|
| MASTER | <ul style="list-style-type: none"> • A START is generated. | <ul style="list-style-type: none"> • A STOP is generated. • Arbitration is lost. |
| TXMODE | <ul style="list-style-type: none"> • START is generated. • The SMBus interface enters transmitter mode (after SMB0DAT is written before the start of an SMBus frame). | <ul style="list-style-type: none"> • A START is detected. • Arbitration is lost. • SMB0DAT is not written before the start of an SMBus frame. |
| STA | <ul style="list-style-type: none"> • A START followed by an address byte is received. | <ul style="list-style-type: none"> • Must be cleared by software. |
| STO | <ul style="list-style-type: none"> • A STOP is detected while addressed as a slave. • Arbitration is lost due to a detected STOP. | <ul style="list-style-type: none"> • A pending STOP is generated. |
| ACKRQ | <ul style="list-style-type: none"> • A byte has been received and an ACK response value is needed. | <ul style="list-style-type: none"> • After each ACK cycle. |
| ARBLOST | <ul style="list-style-type: none"> • A repeated START is detected as a MASTER when STA is low (unwanted repeated START). • SCL is sensed low while attempting to generate a STOP or repeated START condition. • SDA is sensed low while transmitting a '1' (excluding ACK bits). | <ul style="list-style-type: none"> • Each time SI is cleared. |
| ACK | <ul style="list-style-type: none"> • The incoming ACK value is low (ACKNOWLEDGE). | <ul style="list-style-type: none"> • The incoming ACK value is high (NOT ACKNOWLEDGE). |
| SI | <ul style="list-style-type: none"> • A START has been generated. • Lost arbitration. • A byte has been transmitted and an ACK/NACK received. • A byte has been received. • A START or repeated START followed by a slave address + R/W has been received. • A STOP has been received. | <ul style="list-style-type: none"> • Must be cleared by software. |

C8051F300/1/2/3/4/5

13.4.3. Data Register

The SMBus Data register SMB0DAT holds a byte of serial data to be transmitted or one that has just been received. Software may safely read or write to the data register when the SI flag is set. Software should not attempt to access the SMB0DAT register when the SMBus is enabled and the SI flag is cleared to logic 0, as the interface may be in the process of shifting a byte of data into or out of the register.

Data in SMB0DAT is always shifted out MSB first. After a byte has been received, the first bit of received data is located at the MSB of SMB0DAT. While data is being shifted out, data on the bus is simultaneously being shifted in. SMB0DAT always contains the last data byte present on the bus. In the event of lost arbitration, the transition from master transmitter to slave receiver is made with the correct data or address in SMB0DAT.

SFR Definition 13.3. SMB0DAT: SMBus Data

| | | | | | | | | |
|------|------|------|------|------|------|------|------|----------------------|
| R/W | R/W | R/W | R/W | R/W | R/W | R/W | R/W | Reset Value |
| | | | | | | | | 00000000 |
| Bit7 | Bit6 | Bit5 | Bit4 | Bit3 | Bit2 | Bit1 | Bit0 | SFR Address: 0xC2 |

Bits7–0: SMB0DAT: SMBus Data.
The SMB0DAT register contains a byte of data to be transmitted on the SMBus serial interface or a byte that has just been received on the SMBus serial interface. The CPU can read from or write to this register whenever the SI serial interrupt flag (SMB0CN.0) is set to logic one. The serial data in the register remains stable as long as the SI flag is set. When the SI flag is not set, the system may be in the process of shifting data in/out and the CPU should not attempt to access this register.

13.5. SMBus Transfer Modes

The SMBus interface may be configured to operate as master and/or slave. At any particular time, it will be operating in one of the following four modes: Master Transmitter, Master Receiver, Slave Transmitter, or Slave Receiver. The SMBus interface enters Master Mode any time a START is generated, and remains in Master Mode until it loses arbitration or generates a STOP. An SMBus interrupt is generated at the end of all SMBus byte frames; however, note that the interrupt is generated before the ACK cycle when operating as a receiver, and after the ACK cycle when operating as a transmitter.

13.5.1. Master Transmitter Mode

Serial data is transmitted on SDA while the serial clock is output on SCL. The SMBus interface generates the START condition and transmits the first byte containing the address of the target slave and the data direction bit. In this case the data direction bit (R/W) will be logic 0 (WRITE). The master then transmits one or more bytes of serial data. After each byte is transmitted, an acknowledge bit is generated by the slave. The transfer is ended when the STO bit is set and a STOP is generated. Note that the interface will switch to Master Receiver Mode if SMB0DAT is not written following a Master Transmitter interrupt. Figure 13.5 shows a typical Master Transmitter sequence. Two transmit data bytes are shown, though any number of bytes may be transmitted. Notice that the ‘data byte transferred’ interrupts occur **after** the ACK cycle in this mode.

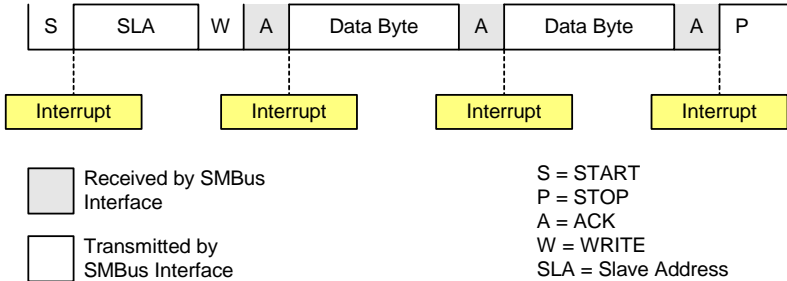


Figure 13.5. Typical Master Transmitter Sequence

C8051F300/1/2/3/4/5

13.5.2. Master Receiver Mode

Serial data is received on SDA while the serial clock is output on SCL. The SMBus interface generates the START condition and transmits the first byte containing the address of the target slave and the data direction bit. In this case the data direction bit (R/W) will be logic 1 (READ). Serial data is then received from the slave on SDA while the SMBus outputs the serial clock. The slave transmits one or more bytes of serial data. After each byte is received, ACKRQ is set to '1' and an interrupt is generated. Software must write the ACK bit (SMB0CN.1) to define the outgoing acknowledge value (Note: writing a '1' to the ACK bit generates an ACK; writing a '0' generates a NACK). Software should write a '0' to the ACK bit after the last byte is received, to transmit a NACK. The interface exits Master Receiver Mode after the STO bit is set and a STOP is generated. Note that the interface will switch to Master Transmitter Mode if SMB0DAT is written while an active Master Receiver. Figure 13.6 shows a typical Master Receiver sequence. Two received data bytes are shown, though any number of bytes may be received. Notice that the 'data byte transferred' interrupts occur **before** the ACK cycle in this mode.

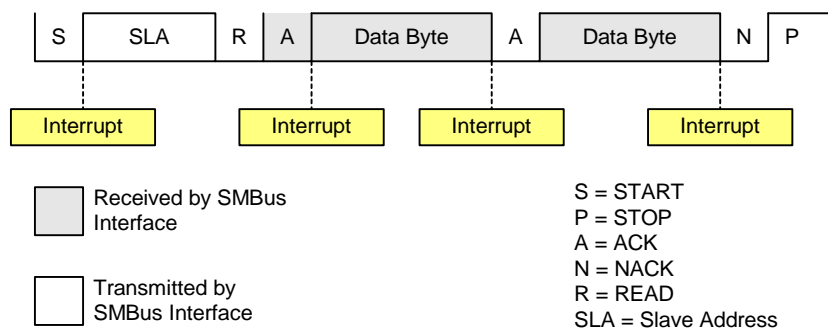


Figure 13.6. Typical Master Receiver Sequence

13.5.3. Slave Receiver Mode

Serial data is received on SDA and the clock is received on SCL. When slave events are enabled (INH = 0), the interface enters Slave Receiver Mode when a START followed by a slave address and direction bit (WRITE in this case) is received. Upon entering Slave Receiver Mode, an interrupt is generated and the ACKRQ bit is set. Software responds to the received slave address with an ACK, or ignores the received slave address with a NACK. If the received slave address is ignored, slave interrupts will be inhibited until the next START is detected. If the received slave address is acknowledged, zero or more data bytes are received. Software must write the ACK bit after each received byte to ACK or NACK the received byte. The interface exits Slave Receiver Mode after receiving a STOP. Note that the interface will switch to Slave Transmitter Mode if SMB0DAT is written while an active Slave Receiver; see [Section 13.5.4](#) for details on this procedure. Figure 13.7 shows a typical Slave Receiver sequence. Two received data bytes are shown, though any number of bytes may be received. Notice that the 'data byte transferred' interrupts occur **before** the ACK cycle in this mode.

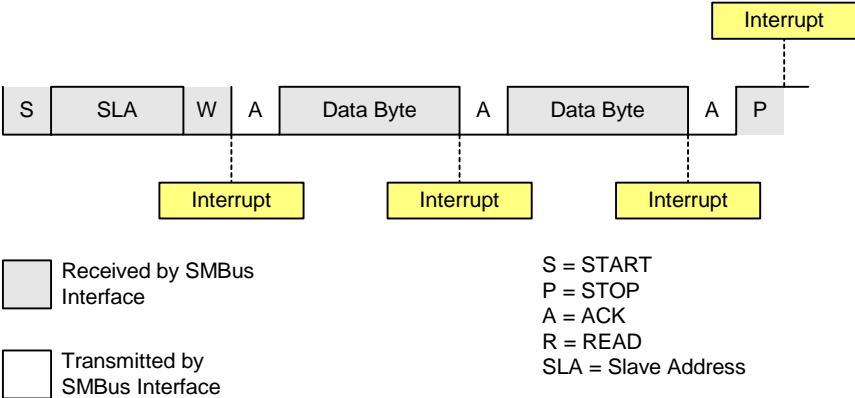


Figure 13.7. Typical Slave Receiver Sequence

C8051F300/1/2/3/4/5

13.5.4. Slave Transmitter Mode

Serial data is transmitted on SDA and the clock is received on SCL. When slave events are enabled (INH = 0), the interface enters Slave Receiver Mode (to receive the slave address) when a START followed by a slave address and direction bit (READ in this case) is received. Software responds to the received slave address with an ACK, or ignores the received slave address with a NACK. If the received address is ignored, slave interrupts will be inhibited until the next START is detected. If the received slave address is acknowledged, software should write data to SMB0DAT to force the SMBus into Slave Transmitter Mode. The switch from Slave Receiver to Slave Transmitter requires software management. Software should perform the steps outlined below only when a valid slave address is received (indicated by the label “RX-to-TX Steps” in Figure 13.8).

- Step 1. Set ACK to '1'.
- Step 2. Write outgoing data to SMB0DAT.
- Step 3. Check SMB0DAT.7; if '1', do not perform steps 4, 6 or 7.
- Step 4. Set STO to '1'.
- Step 5. Clear SI to '0'.
- Step 6. Poll for TXMODE => '1'.
- Step 7. Clear STO to '0' (must be done before the next ACK cycle).

The interface enters Slave Transmitter Mode and transmits one or more bytes of data (the above steps are only required before the first byte of the transfer). After each byte is transmitted, the master sends an acknowledge bit; if the acknowledge bit is an ACK, SMB0DAT should be written with the next data byte. If the acknowledge bit is a NACK, SMB0DAT should not be written to before SI is cleared (Note: an error condition may be generated if SMB0DAT is written following a received NACK while in Slave Transmitter Mode). The interface exits Slave Transmitter Mode after receiving a STOP. Note that the interface will switch to Slave Receiver Mode if SMB0DAT is not written following a Slave Transmitter interrupt. Figure 13.8 shows a typical Slave Transmitter sequence. Two transmitted data bytes are shown, though any number of bytes may be transmitted. Notice that the ‘data byte transferred’ interrupts occur **after** the ACK cycle in this mode.

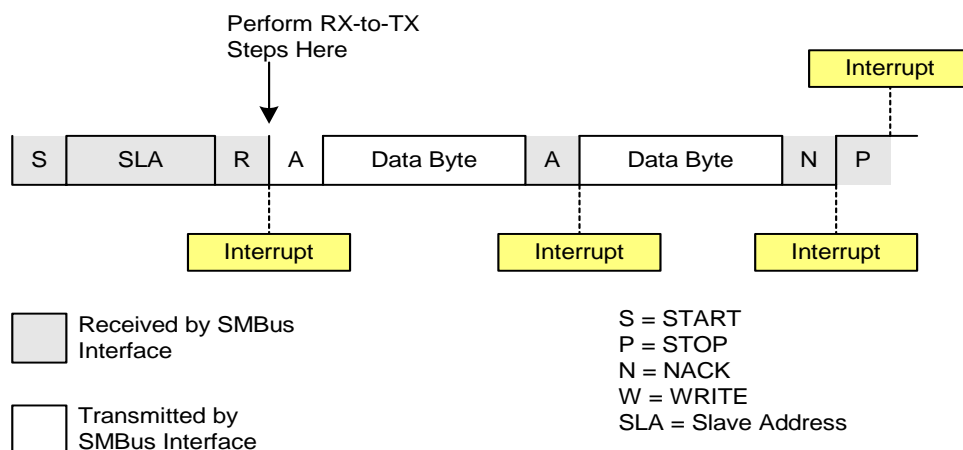


Figure 13.8. Typical Slave Transmitter Sequence

13.6. SMBus Status Decoding

The current SMBus status can be easily decoded using the SMB0CN register. In the table below, STATUS VECTOR refers to the four upper bits of SMB0CN: MASTER, TXMODE, STA, and STO. Note that the shown response options are only the typical responses; application-specific procedures are allowed as long as they conform with the SMBus specification. Highlighted responses are allowed but do not conform to the SMBus specification.

Table 13.4. SMBus Status Decoding

| Mode | Values Read | | | | Current SMBus State | Typical Response Options | Values Written | | |
|--------------------|---------------|-------|---------|--|---|--|----------------|-----|-----|
| | Status Vector | ACKRQ | ARBLOST | ACK | | | STA | STO | ACK |
| Master Transmitter | 1110 | 0 | 0 | X | A master START was generated. | Load slave address + R/W into SMB0DAT. | 0 | 0 | X |
| | 1100 | 0 | 0 | 0 | A master data or address byte was transmitted; NACK received. | Set STA to restart transfer. | 1 | 0 | X |
| | | | | | | Abort transfer. | 0 | 1 | X |
| | 0 | 0 | 0 | 1 | A master data or address byte was transmitted; ACK received. | Load next data byte into SMB0DAT | 0 | 0 | X |
| | | | | | | End transfer with STOP | 0 | 1 | X |
| | | | | | | End transfer with STOP and start another transfer. | 1 | 1 | X |
| | | | | | | Send repeated START | 1 | 0 | X |
| | | | | Switch to Master Receiver Mode (clear SI without writing new data to SMB0DAT). | 0 | 0 | X | | |

C8051F300/1/2/3/4/5

Table 13.4. SMBus Status Decoding (Continued)

| Mode | Values Read | | | | Current SMBus State | Typical Response Options | Values Written | | |
|-------------------|---------------|-------|---------|-----|--|--|----------------|-----|-----|
| | Status Vector | ACKRQ | ARBLOST | ACK | | | STA | STO | ACK |
| MASTER RECEIVER | 1000 | 1 | 0 | X | A master data byte was received; ACK requested. | Acknowledge received byte; Read SMB0DAT. | 0 | 0 | 1 |
| | | | | | Send NACK to indicate last byte, and send STOP. | 0 | 1 | 0 | |
| | | | | | Send NACK to indicate last byte, and send STOP followed by START. | 1 | 1 | 0 | |
| | | | | | Send ACK followed by repeated START. | 1 | 0 | 1 | |
| | | | | | Send NACK to indicate last byte, and send repeated START. | 1 | 0 | 0 | |
| | | | | | Send ACK and switch to Master Transmitter Mode (write to SMB0DAT before clearing SI). | 0 | 0 | 1 | |
| | | | | | Send NACK and switch to Master Transmitter Mode (write to SMB0DAT before clearing SI). | 0 | 0 | 0 | |
| SLAVE TRANSMITTER | 0100 | 0 | 0 | 0 | A slave byte was transmitted; NACK received. | No action required (expecting STOP condition). | 0 | 0 | X |
| | | | | | A slave byte was transmitted; ACK received. | Load SMB0DAT with next data byte to transmit. | 0 | 0 | X |
| | | | | | A Slave byte was transmitted; error detected. | No action required (expecting Master to end transfer). | 0 | 0 | X |
| | 0101 | 0 | X | X | An illegal STOP or bus error was detected while a Slave Transmission was in progress. | Clear STO. | 0 | 0 | X |

Table 13.4. SMBus Status Decoding (Continued)

| Mode | Values Read | | | Current SMBus State | Typical Response Options | Values Written | | | | | | |
|-----------------------|-----------------------------|-------|---------|---------------------|---|--|-----|---|-----------------|---|---|---|
| | Status Vector | ACKRQ | ARBLOST | | | ACK | STA | STO | ACK | | | |
| SLAVE RECEIVER | 0010 | 1 | 0 | X | A slave address was received; ACK requested. | Acknowledge received address (received slave address match, R/W bit = READ). | 0 | 0 | 1 | | | |
| | | | | | Do not acknowledge received address. | 0 | 0 | 0 | | | | |
| | | | | | Acknowledge received address, and switch to transmitter mode (received slave address match, R/W bit = WRITE); see Section 13.5.4 for procedure. | 0 | 0 | 1 | | | | |
| | | 1 | 1 | X | Lost arbitration as master; slave address received; ACK requested. | Acknowledge received address (received slave address match, R/W bit = READ). | 0 | 0 | 1 | | | |
| | | | | | Do not acknowledge received address. | 0 | 0 | 0 | | | | |
| | | | | | Acknowledge received address, and switch to transmitter mode (received slave address match, R/W bit = WRITE); see Section 13.5.4 for procedure. | 0 | 0 | 1 | | | | |
| | 0010 | 0 | 1 | X | Lost arbitration while attempting a repeated START. | Abort failed transfer. | 0 | 0 | X | | | |
| | | | | | Reschedule failed transfer. | 1 | 0 | X | | | | |
| | 0001 | 1 | 1 | X | Lost arbitration while attempting a STOP. | No action required (transfer complete/aborted). | 0 | 0 | 0 | | | |
| | | | | | 0 | 0 | X | A STOP was detected while addressed as a Slave Transmitter or Slave Receiver. | Clear STO. | 0 | 0 | X |
| | | | | | 0 | 1 | X | Lost arbitration due to a detected STOP. | Abort transfer. | 0 | 0 | X |
| | Reschedule failed transfer. | 1 | 0 | X | | | | | | | | |
| | 0000 | 1 | 0 | X | A slave byte was received; ACK requested. | Acknowledge received byte; Read SMB0DAT. | 0 | 0 | 1 | | | |
| | | | | | Do not acknowledge received byte. | 0 | 0 | 0 | | | | |
| | | 1 | 1 | X | Lost arbitration while transmitting a data byte as master. | Abort failed transfer. | 0 | 0 | 0 | | | |
| | Reschedule failed transfer. | | | | 1 | 0 | 0 | | | | | |

C8051F300/1/2/3/4/5

NOTES:

14. UART0

UART0 is an asynchronous, full duplex serial port offering modes 1 and 3 of the standard 8051 UART. Enhanced baud rate support allows a wide range of clock sources to generate standard baud rates (details in [Section “14.1. Enhanced Baud Rate Generation” on page 132](#)). Received data buffering allows UART0 to start reception of a second incoming data byte before software has finished reading the previous data byte.

UART0 has two associated SFRs: Serial Control Register 0 (SCON0) and Serial Data Buffer 0 (SBUF0). The single SBUF0 location provides access to both transmit and receive registers. Reading SBUF0 accesses the buffered Receive register; writing SBUF0 accesses the Transmit register.

With UART0 interrupts enabled, an interrupt is generated each time a transmit is completed (TI0 is set in SCON0), or a data byte has been received (RI0 is set in SCON0). The UART0 interrupt flags are not cleared by hardware when the CPU vectors to the interrupt service routine. They must be cleared manually by software, allowing software to determine the cause of the UART0 interrupt (transmit complete or receive complete).

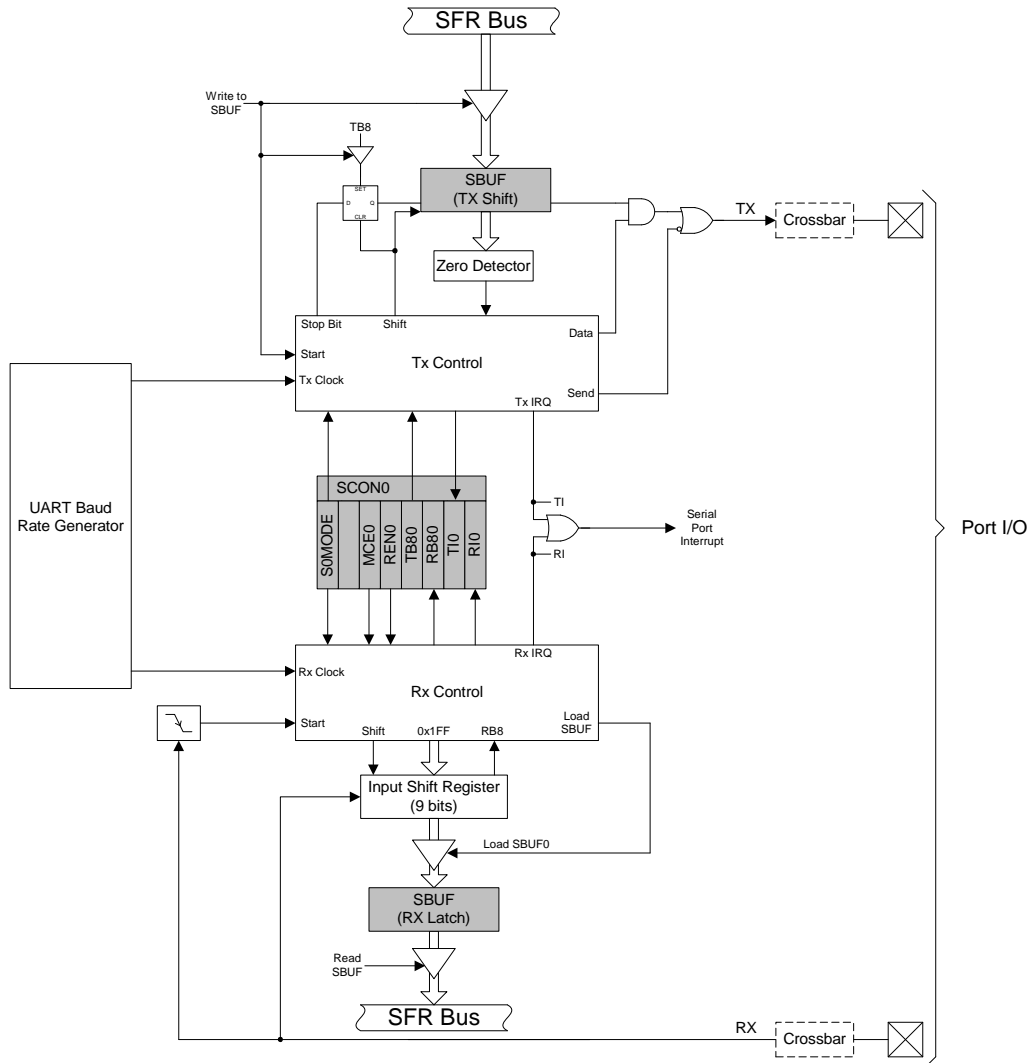


Figure 14.1. UART0 Block Diagram

14.1. Enhanced Baud Rate Generation

The UART0 baud rate is generated by Timer 1 in 8-bit auto-reload mode. The TX clock is generated by TL1; the RX clock is generated by a copy of TL1 (shown as RX Timer in Figure 14.2), which is not user accessible. Both TX and RX Timer overflows are divided by two to generate the TX and RX baud rates. The RX Timer runs when Timer 1 is enabled, and uses the same reload value (TH1). However, an RX Timer reload is forced when a START condition is detected on the RX pin. This allows a receive to begin any time a START is detected, independent of the TX Timer state.

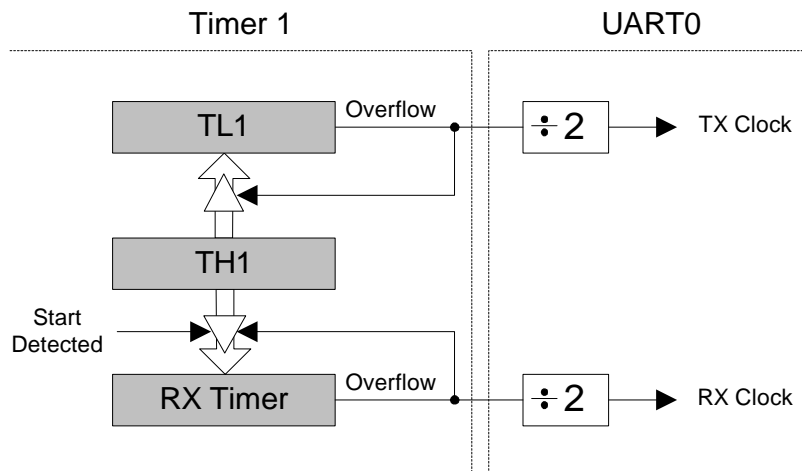


Figure 14.2. UART0 Baud Rate Logic

Timer 1 should be configured for Mode 2, 8-bit auto-reload (see [Section “15.1.3. Mode 2: 8-bit Counter/Timer with Auto-Reload” on page 145](#)). The Timer 1 reload value should be set so that overflows will occur at two times the desired UART baud rate frequency. Note that Timer 1 may be clocked by one of five sources: SYSCLK, SYSCLK / 4, SYSCLK / 12, SYSCLK / 48, or the external oscillator clock / 8. For any given Timer 1 clock source, the UART0 baud rate is determined by Equation 14.1.

$$UartBaudRate = \frac{T1_{CLK}}{(256 - T1H)} \times \frac{1}{2}$$

Equation 14.1. UART0 Baud Rate

Where $T1_{CLK}$ is the frequency of the clock supplied to Timer 1, and $T1H$ is the high byte of Timer 1 (reload value). Timer 1 clock frequency is selected as described in [Section “15.2. Timer 2” on page 151](#). A quick reference for typical baud rates and system clock frequencies is given in Tables 14.1 through 14.6. Note that the internal oscillator may still generate the system clock when the external oscillator is driving Timer 1 (see [Section “15.1. Timer 0 and Timer 1” on page 143](#) for more details).

14.2. Operational Modes

UART0 provides standard asynchronous, full duplex communication. The UART mode (8-bit or 9-bit) is selected by the S0MODE bit (SCON0.7). Typical UART connection options are shown below.

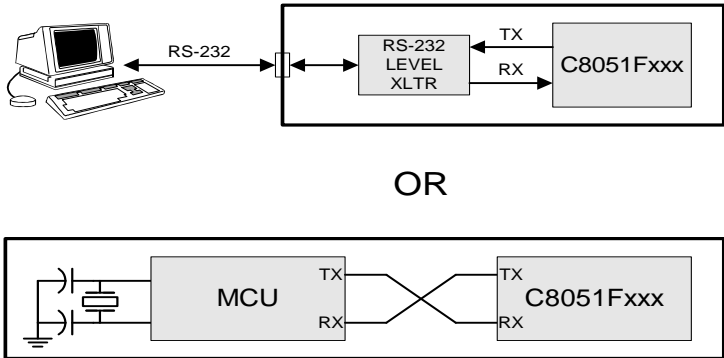


Figure 14.3. UART Interconnect Diagram

14.2.1. 8-Bit UART

8-Bit UART mode uses a total of 10 bits per data byte: one start bit, eight data bits (LSB first), and one stop bit. Data are transmitted LSB first from the TX pin and received at the RX pin. On receive, the eight data bits are stored in SBUF0 and the stop bit goes into RB80 (SCON0.2).

Data transmission begins when software writes a data byte to the SBUF0 register. The T10 Transmit Interrupt Flag (SCON0.1) is set at the end of the transmission (the beginning of the stop-bit time). Data reception can begin any time after the REN0 Receive Enable bit (SCON0.4) is set to logic 1. After the stop bit is received, the data byte will be loaded into the SBUF0 receive register if the following conditions are met: R10 must be logic 0, and if MCE0 is logic 1, the stop bit must be logic 1. In the event of a receive data overrun, the first received 8 bits are latched into the SBUF0 receive register and the following overrun data bits are lost.

If these conditions are met, the eight bits of data is stored in SBUF0, the stop bit is stored in RB80 and the R10 flag is set. If these conditions are not met, SBUF0 and RB80 will not be loaded and the R10 flag will not be set. An interrupt will occur if enabled when either T10 or R10 is set.

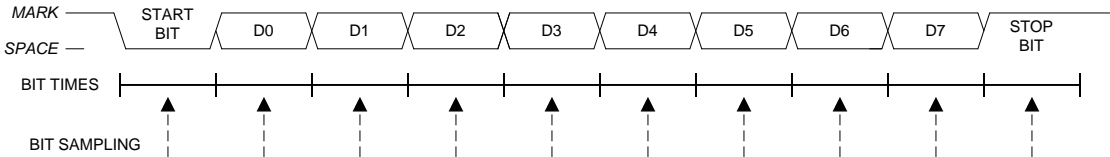


Figure 14.4. 8-Bit UART Timing Diagram

C8051F300/1/2/3/4/5

14.2.2. 9-Bit UART

9-bit UART mode uses a total of eleven bits per data byte: a start bit, 8 data bits (LSB first), a programmable ninth data bit, and a stop bit. The state of the ninth transmit data bit is determined by the value in TB80 (SCON0.3), which is assigned by user software. It can be assigned the value of the parity flag (bit P in register PSW) for error detection, or used in multiprocessor communications. On receive, the ninth data bit goes into RB80 (SCON0.2) and the stop bit is ignored.

Data transmission begins when an instruction writes a data byte to the SBUF0 register. The T10 Transmit Interrupt Flag (SCON0.1) is set at the end of the transmission (the beginning of the stop-bit time). Data reception can begin any time after the REN0 Receive Enable bit (SCON0.4) is set to '1'. After the stop bit is received, the data byte will be loaded into the SBUF0 receive register if the following conditions are met: (1) RI0 must be logic 0, and (2) if MCE0 is logic 1, the 9th bit must be logic 1 (when MCE0 is logic 0, the state of the ninth data bit is unimportant). If these conditions are met, the eight bits of data are stored in SBUF0, the ninth bit is stored in RB80, and the RI0 flag is set to '1'. If the above conditions are not met, SBUF0 and RB80 will not be loaded and the RI0 flag will not be set to '1'. A UART0 interrupt will occur if enabled when either T10 or RI0 is set to '1'.

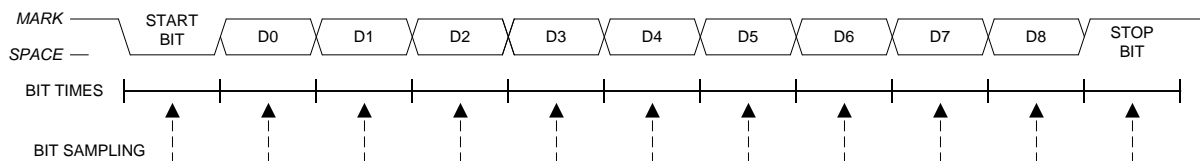


Figure 14.5. 9-Bit UART Timing Diagram

14.3. Multiprocessor Communications

9-Bit UART mode supports multiprocessor communication between a master processor and one or more slave processors by special use of the ninth data bit. When a master processor wants to transmit to one or more slaves, it first sends an address byte to select the target(s). An address byte differs from a data byte in that its ninth bit is logic 1; in a data byte, the ninth bit is always set to logic 0.

Setting the MCE0 bit (SCON.5) of a slave processor configures its UART such that when a stop bit is received, the UART will generate an interrupt only if the ninth bit is logic one (RB80 = 1) signifying an address byte has been received. In the UART interrupt handler, software will compare the received address with the slave's own assigned 8-bit address. If the addresses match, the slave will clear its MCE0 bit to enable interrupts on the reception of the following data byte(s). Slaves that weren't addressed leave their MCE0 bits set and do not generate interrupts on the reception of the following data bytes, thereby ignoring the data. Once the entire message is received, the addressed slave resets its MCE0 bit to ignore all transmissions until it receives the next address byte.

Multiple addresses can be assigned to a single slave and/or a single address can be assigned to multiple slaves, thereby enabling "broadcast" transmissions to more than one slave simultaneously. The master processor can be configured to receive all transmissions or a protocol can be implemented such that the master/slave role is temporarily reversed to enable half-duplex transmission between the original master and slave(s).

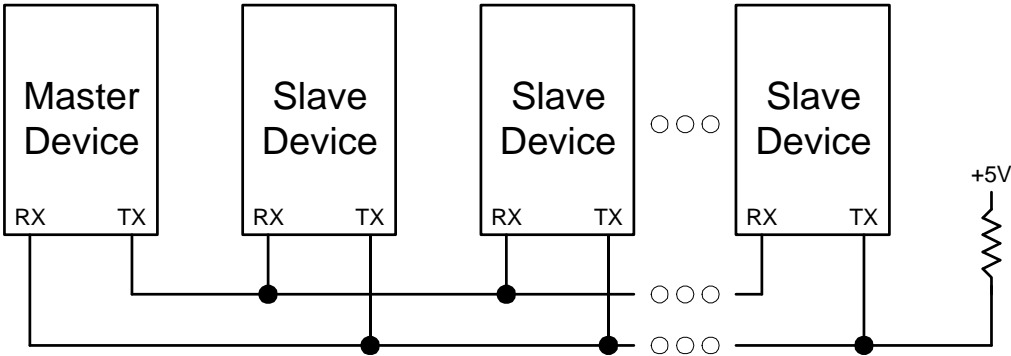


Figure 14.6. UART Multi-Processor Mode Interconnect Diagram

C8051F300/1/2/3/4/5

SFR Definition 14.1. SCON0: Serial Port 0 Control

| R/W | R/W | R/W | R/W | R/W | R/W | R/W | R/W | Reset Value |
|--------|------|------|------|------|------|------|------|---|
| S0MODE | — | MCE0 | REN0 | TB80 | RB80 | TI0 | RI0 | 01000000 |
| Bit7 | Bit6 | Bit5 | Bit4 | Bit3 | Bit2 | Bit1 | Bit0 | SFR Address: 0x98 (bit addressable) |

Bit7: S0MODE: Serial Port 0 Operation Mode.
 This bit selects the UART0 Operation Mode.
 0: Mode 0: 8-bit UART with Variable Baud Rate
 1: Mode 1: 9-bit UART with Variable Baud Rate
 Bit6: UNUSED. Read = 1b. Write = don't care.
 Bit5: MCE0: Multiprocessor Communication Enable.
 The function of this bit is dependent on the Serial Port 0 Operation Mode.
 Mode 0: Checks for valid stop bit.
 0: Logic level of stop bit is ignored.
 1: RI0 will only be activated if stop bit is logic level 1.
 Mode 1: Multiprocessor Communications Enable.
 0: Logic level of ninth bit is ignored.
 1: RI0 is set and an interrupt is generated only when the ninth bit is logic 1.
 Bit4: REN0: Receive Enable.
 This bit enables/disables the UART receiver.
 0: UART0 reception disabled.
 1: UART0 reception enabled.
 Bit3: TB80: Ninth Transmission Bit.
 The logic level of this bit will be assigned to the ninth transmission bit in 9-bit UART Mode. It is not used in 8-bit UART Mode. Set or cleared by software as required.
 Bit2: RB80: Ninth Receive Bit.
 RB80 is assigned the value of the STOP bit in Mode 0; it is assigned the value of the 9th data bit in Mode 1.
 Bit1: TI0: Transmit Interrupt Flag.
 Set by hardware when a byte of data has been transmitted by UART0 (after the 8th bit in 8-bit UART Mode, or at the beginning of the STOP bit in 9-bit UART Mode). When the UART0 interrupt is enabled, setting this bit causes the CPU to vector to the UART0 interrupt service routine. This bit must be cleared manually by software
 Bit0: RI0: Receive Interrupt Flag.
 Set to '1' by hardware when a byte of data has been received by UART0 (set at the STOP bit sampling time). When the UART0 interrupt is enabled, setting this bit to '1' causes the CPU to vector to the UART0 interrupt service routine. This bit must be cleared manually by software.

SFR Definition 14.2. SBUF0: Serial (UART0) Port Data Buffer

| | | | | | | | | |
|------|------|------|------|------|------|------|------|----------------------|
| R/W | R/W | R/W | R/W | R/W | R/W | R/W | R/W | Reset Value |
| | | | | | | | | 00000000 |
| Bit7 | Bit6 | Bit5 | Bit4 | Bit3 | Bit2 | Bit1 | Bit0 | SFR Address: 0x99 |

Bits7–0: SBUF0[7:0]: Serial Data Buffer Bits 7–0 (MSB-LSB)
This SFR accesses two registers; a transmit shift register and a receive latch register. When data is written to SBUF0, it goes to the transmit shift register and is held for serial transmission. Writing a byte to SBUF0 is what initiates the transmission. A read of SBUF0 returns the contents of the receive latch.

C8051F300/1/2/3/4/5

Table 14.1. Timer Settings for Standard Baud Rates Using The Internal 24.5 MHz Oscillator

| Frequency: 24.5 MHz | | | | | | | |
|---------------------------|------------------------|-------------------|--------------------------|--------------------|---|------------------|----------------------------|
| | Target Baud Rate (bps) | Baud Rate % Error | Oscillator Divide Factor | Timer Clock Source | SCA1–SCA0 (pre-scale select) ¹ | T1M ¹ | Timer 1 Reload Value (hex) |
| SYSCLK from Internal Osc. | 230400 | –0.32% | 106 | SYSCLK | XX ² | 1 | 0xCB |
| | 115200 | –0.32% | 212 | SYSCLK | XX ² | 1 | 0x96 |
| | 57600 | 0.15% | 426 | SYSCLK | XX ² | 1 | 0x2B |
| | 28800 | –0.32% | 848 | SYSCLK / 4 | 01 | 0 | 0x96 |
| | 14400 | 0.15% | 1704 | SYSCLK / 12 | 00 | 0 | 0xB9 |
| | 9600 | –0.32% | 2544 | SYSCLK / 12 | 00 | 0 | 0x96 |
| | 2400 | –0.32% | 10176 | SYSCLK / 48 | 10 | 0 | 0x96 |
| | 1200 | 0.15% | 20448 | SYSCLK / 48 | 10 | 0 | 0x2B |

Notes:

1. SCA1–SCA0 and T1M bit definitions can be found in [Section 15.1](#).
2. X = Don't care.

Table 14.2. Timer Settings for Standard Baud Rates Using an External 25 MHz Oscillator

| Frequency: 25.0 MHz | | | | | | | |
|---------------------------|------------------------|-------------------|--------------------------|--------------------|---|------------------|----------------------------|
| | Target Baud Rate (bps) | Baud Rate % Error | Oscillator Divide Factor | Timer Clock Source | SCA1–SCA0 (pre-scale select) ¹ | T1M ¹ | Timer 1 Reload Value (hex) |
| SYSCLK from External Osc. | 230400 | –0.47% | 108 | SYSCLK | XX ² | 1 | 0xCA |
| | 115200 | 0.45% | 218 | SYSCLK | XX ² | 1 | 0x93 |
| | 57600 | –0.01% | 434 | SYSCLK | XX ² | 1 | 0x27 |
| | 28800 | 0.45% | 872 | SYSCLK / 4 | 01 | 0 | 0x93 |
| | 14400 | –0.01% | 1736 | SYSCLK / 4 | 01 | 0 | 0x27 |
| | 9600 | 0.15% | 2608 | EXTCLK / 8 | 11 | 0 | 0x5D |
| | 2400 | 0.45% | 10464 | SYSCLK / 48 | 10 | 0 | 0x93 |
| | 1200 | –0.01% | 20832 | SYSCLK / 48 | 10 | 0 | 0x27 |
| SYSCLK from Internal Osc. | 57600 | –0.47% | 432 | EXTCLK / 8 | 11 | 0 | 0xE5 |
| | 28800 | –0.47% | 864 | EXTCLK / 8 | 11 | 0 | 0xCA |
| | 14400 | 0.45% | 1744 | EXTCLK / 8 | 11 | 0 | 0x93 |
| | 9600 | 0.15% | 2608 | EXTCLK / 8 | 11 | 0 | 0x5D |

Notes:

1. SCA1–SCA0 and T1M bit definitions can be found in [Section 15.1](#).
2. X = Don't care

Table 14.3. Timer Settings for Standard Baud Rates Using an External 22.1184 MHz Oscillator

| Frequency: 22.1184 MHz | | | | | | | |
|---------------------------|------------------------|-------------------|--------------------------|--------------------|---|------------------|----------------------------|
| | Target Baud Rate (bps) | Baud Rate % Error | Oscillator Divide Factor | Timer Clock Source | SCA1–SCA0 (pre-scale select) ¹ | T1M ¹ | Timer 1 Reload Value (hex) |
| SYSCLK from External Osc. | 230400 | 0.00% | 96 | SYSCLK | XX ² | 1 | 0xD0 |
| | 115200 | 0.00% | 192 | SYSCLK | XX ² | 1 | 0xA0 |
| | 57600 | 0.00% | 384 | SYSCLK | XX ² | 1 | 0x40 |
| | 28800 | 0.00% | 768 | SYSCLK / 12 | 00 | 0 | 0xE0 |
| | 14400 | 0.00% | 1536 | SYSCLK / 12 | 00 | 0 | 0xC0 |
| | 9600 | 0.00% | 2304 | SYSCLK / 12 | 00 | 0 | 0xA0 |
| | 2400 | 0.00% | 9216 | SYSCLK / 48 | 10 | 0 | 0xA0 |
| | 1200 | 0.00% | 18432 | SYSCLK / 48 | 10 | 0 | 0x40 |
| SYSCLK from Internal Osc. | 230400 | 0.00% | 96 | EXTCLK / 8 | 11 | 0 | 0xFA |
| | 115200 | 0.00% | 192 | EXTCLK / 8 | 11 | 0 | 0xF4 |
| | 57600 | 0.00% | 384 | EXTCLK / 8 | 11 | 0 | 0xE8 |
| | 28800 | 0.00% | 768 | EXTCLK / 8 | 11 | 0 | 0xD0 |
| | 14400 | 0.00% | 1536 | EXTCLK / 8 | 11 | 0 | 0xA0 |
| | 9600 | 0.00% | 2304 | EXTCLK / 8 | 11 | 0 | 0x70 |

Notes:

1. SCA1–SCA0 and T1M bit definitions can be found in [Section 15.1](#).
2. X = Don't care.

C8051F300/1/2/3/4/5

Table 14.4. Timer Settings for Standard Baud Rates Using an External 18.432 MHz Oscillator

| Frequency: 18.432 MHz | | | | | | | |
|---------------------------|------------------------|-------------------|--------------------------|--------------------|---|------------------|----------------------------|
| | Target Baud Rate (bps) | Baud Rate % Error | Oscillator Divide Factor | Timer Clock Source | SCA1–SCA0 (pre-scale select) ¹ | T1M ¹ | Timer 1 Reload Value (hex) |
| SYSCLK from External Osc. | 230400 | 0.00% | 80 | SYSCLK | XX ² | 1 | 0xD8 |
| | 115200 | 0.00% | 160 | SYSCLK | XX ² | 1 | 0xB0 |
| | 57600 | 0.00% | 320 | SYSCLK | XX ² | 1 | 0x60 |
| | 28800 | 0.00% | 640 | SYSCLK / 4 | 01 | 0 | 0xB0 |
| | 14400 | 0.00% | 1280 | SYSCLK / 4 | 01 | 0 | 0x60 |
| | 9600 | 0.00% | 1920 | SYSCLK / 12 | 00 | 0 | 0xB0 |
| | 2400 | 0.00% | 7680 | SYSCLK / 48 | 10 | 0 | 0xB0 |
| | 1200 | 0.00% | 15360 | SYSCLK / 48 | 10 | 0 | 0x60 |
| SYSCLK from Internal Osc. | 230400 | 0.00% | 80 | EXTCLK / 8 | 11 | 0 | 0xFB |
| | 115200 | 0.00% | 160 | EXTCLK / 8 | 11 | 0 | 0xF6 |
| | 57600 | 0.00% | 320 | EXTCLK / 8 | 11 | 0 | 0xEC |
| | 28800 | 0.00% | 640 | EXTCLK / 8 | 11 | 0 | 0xD8 |
| | 14400 | 0.00% | 1280 | EXTCLK / 8 | 11 | 0 | 0xB0 |
| | 9600 | 0.00% | 1920 | EXTCLK / 8 | 11 | 0 | 0x88 |

Notes:

1. SCA1–SCA0 and T1M bit definitions can be found in [Section 15.1](#).
2. X = Don't care

Table 14.5. Timer Settings for Standard Baud Rates Using an External 11.0592 MHz Oscillator

| Frequency: 11.0592 MHz | | | | | | | |
|---------------------------|------------------------|-------------------|--------------------------|--------------------|---|------------------|----------------------------|
| | Target Baud Rate (bps) | Baud Rate % Error | Oscillator Divide Factor | Timer Clock Source | SCA1-SCA0 (pre-scale select) ¹ | T1M ¹ | Timer 1 Reload Value (hex) |
| SYSCLK from External Osc. | 230400 | 0.00% | 48 | SYSCLK | XX ² | 1 | 0xE8 |
| | 115200 | 0.00% | 96 | SYSCLK | XX ² | 1 | 0xD0 |
| | 57600 | 0.00% | 192 | SYSCLK | XX ² | 1 | 0xA0 |
| | 28800 | 0.00% | 384 | SYSCLK | XX ² | 1 | 0x40 |
| | 14400 | 0.00% | 768 | SYSCLK / 12 | 00 | 0 | 0xE0 |
| | 9600 | 0.00% | 1152 | SYSCLK / 12 | 00 | 0 | 0xD0 |
| | 2400 | 0.00% | 4608 | SYSCLK / 12 | 00 | 0 | 0x40 |
| | 1200 | 0.00% | 9216 | SYSCLK / 48 | 10 | 0 | 0xA0 |
| SYSCLK from Internal Osc. | 230400 | 0.00% | 48 | EXTCLK / 8 | 11 | 0 | 0xFD |
| | 115200 | 0.00% | 96 | EXTCLK / 8 | 11 | 0 | 0xFA |
| | 57600 | 0.00% | 192 | EXTCLK / 8 | 11 | 0 | 0xF4 |
| | 28800 | 0.00% | 384 | EXTCLK / 8 | 11 | 0 | 0xE8 |
| | 14400 | 0.00% | 768 | EXTCLK / 8 | 11 | 0 | 0xD0 |
| | 9600 | 0.00% | 1152 | EXTCLK / 8 | 11 | 0 | 0xB8 |

Notes:

1. SCA1–SCA0 and T1M bit definitions can be found in [Section 15.1](#).
2. X = Don't care

C8051F300/1/2/3/4/5

Table 14.6. Timer Settings for Standard Baud Rates Using an External 3.6864 MHz Oscillator

| Frequency: 3.6864 MHz | | | | | | | |
|---------------------------|------------------------|-------------------|--------------------------|--------------------|---|------------------|----------------------------|
| | Target Baud Rate (bps) | Baud Rate % Error | Oscillator Divide Factor | Timer Clock Source | SCA1–SCA0 (pre-scale select) ¹ | T1M ¹ | Timer 1 Reload Value (hex) |
| SYSCLK from External Osc. | 230400 | 0.00% | 16 | SYSCLK | XX ² | 1 | 0xF8 |
| | 115200 | 0.00% | 32 | SYSCLK | XX ² | 1 | 0xF0 |
| | 57600 | 0.00% | 64 | SYSCLK | XX ² | 1 | 0xE0 |
| | 28800 | 0.00% | 128 | SYSCLK | XX ² | 1 | 0xC0 |
| | 14400 | 0.00% | 256 | SYSCLK | XX ² | 1 | 0x80 |
| | 9600 | 0.00% | 384 | SYSCLK | XX ² | 1 | 0x40 |
| | 2400 | 0.00% | 1536 | SYSCLK / 12 | 00 | 0 | 0xC0 |
| | 1200 | 0.00% | 3072 | SYSCLK / 12 | 00 | 0 | 0x80 |
| SYSCLK from Internal Osc. | 230400 | 0.00% | 16 | EXTCLK / 8 | 11 | 0 | 0xFF |
| | 115200 | 0.00% | 32 | EXTCLK / 8 | 11 | 0 | 0xFE |
| | 57600 | 0.00% | 64 | EXTCLK / 8 | 11 | 0 | 0xFC |
| | 28800 | 0.00% | 128 | EXTCLK / 8 | 11 | 0 | 0xF8 |
| | 14400 | 0.00% | 256 | EXTCLK / 8 | 11 | 0 | 0xF0 |
| | 9600 | 0.00% | 384 | EXTCLK / 8 | 11 | 0 | 0xE8 |

Notes:

1. SCA1–SCA0 and T1M bit definitions can be found in [Section 15.1](#).
2. X = Don't care

15. Timers

Each MCU includes 3 counter/timers: two are 16-bit counter/timers compatible with those found in the standard 8051, and one is a 16-bit auto-reload timer for use with the ADC, SMBus, or for general purpose use. These timers can be used to measure time intervals, count external events and generate periodic interrupt requests. Timer 0 and Timer 1 are nearly identical and have four primary modes of operation. Timer 2 offers 16-bit and split 8-bit timer functionality with auto-reload.

| Timer 0 and Timer 1 Modes: | Timer 2 Modes: |
|---|-----------------------------------|
| 13-bit counter/timer | 16-bit timer with auto-reload |
| 16-bit counter/timer | |
| 8-bit counter/timer with auto-reload | Two 8-bit timers with auto-reload |
| Two 8-bit counter/timers (Timer 0 only) | |

Timers 0 and 1 may be clocked by one of five sources, determined by the Timer Mode Select bits (T1M–T0M) and the Clock Scale bits (SCA1–SCA0). The Clock Scale bits define a pre-scaled clock from which Timer 0 and/or Timer 1 may be clocked (See SFR Definition 15.3 for pre-scaled clock selection).

Timer 0/1 may then be configured to use this pre-scaled clock signal or the system clock. Timer 2 may be clocked by the system clock, the system clock divided by 12, or the external oscillator clock source divided by 8.

Timer 0 and Timer 1 may also be operated as counters. When functioning as a counter, a counter/timer register is incremented on each high-to-low transition at the selected input pin. Events with a frequency of up to one-fourth the system clock's frequency can be counted. The input signal need not be periodic, but it should be held at a given level for at least two full system clock cycles to ensure the level is properly sampled.

15.1. Timer 0 and Timer 1

Each timer is implemented as 16-bit register accessed as two separate bytes: a low byte (TL0 or TL1) and a high byte (TH0 or TH1). The Counter/Timer Control register (TCON) is used to enable Timer 0 and Timer 1 as well as indicate their status. Timer 0 interrupts can be enabled by setting the ET0 bit in the IE register ([Section “8.3.5. Interrupt Register Descriptions” on page 75](#)); Timer 1 interrupts can be enabled by setting the ET1 bit in the IE register ([Section 8.3.5](#)). Both counter/timers operate in one of four primary modes selected by setting the Mode Select bits T1M1–T0M0 in the Counter/Timer Mode register (TMOD). Each timer can be configured independently. Each operating mode is described below.

15.1.1. Mode 0: 13-bit Counter/Timer

Timer 0 and Timer 1 operate as 13-bit counter/timers in Mode 0. The following describes the configuration and operation of Timer 0. However, both timers operate identically, and Timer 1 is configured in the same manner as described for Timer 0.

The TH0 register holds the eight MSBs of the 13-bit counter/timer. TL0 holds the five LSBs in bit positions TL0.4–TL0.0. The three upper bits of TL0 (TL0.7–TL0.5) are indeterminate and should be masked out or ignored when reading. As the 13-bit timer register increments and overflows from 0x1FFF (all ones) to 0x0000, the timer overflow flag TF0 (TCON.5) is set and an interrupt will occur if Timer 0 interrupts are enabled.

C8051F300/1/2/3/4/5

The C/T0 bit (TMOD.2) selects the counter/timer's clock source. When C/T0 is set to logic 1, high-to-low transitions at the selected Timer 0 input pin (T0) increment the timer register (Refer to [Section "12.1. Priority Crossbar Decoder" on page 104](#) for information on selecting and configuring external I/O pins). Clearing C/T selects the clock defined by the TOM bit (CKCON.3). When TOM is set, Timer 0 is clocked by the system clock. When TOM is cleared, Timer 0 is clocked by the source selected by the Clock Scale bits in CKCON (see SFR Definition 15.3).

Setting the TR0 bit (TCON.4) enables the timer when either GATE0 (TMOD.3) is logic 0 or the input signal /INT0 is active as defined by bit INOPL in register IT01CF (see SFR Definition 8.11). Setting GATE0 to '1' allows the timer to be controlled by the external input signal /INT0 (see [Section "8.3.5. Interrupt Register Descriptions" on page 75](#)), facilitating pulse width measurements.

| TR0 | GATE0 | /INT0 | Counter/Timer |
|-----|-------|-------|---------------|
| 0 | X* | X* | Disabled |
| 1 | 0 | X* | Enabled |
| 1 | 1 | 0 | Disabled |
| 1 | 1 | 1 | Enabled |

*Note: X = Don't Care

Setting TR0 does not force the timer to reset. The timer registers should be loaded with the desired initial value before the timer is enabled.

TL1 and TH1 form the 13-bit register for Timer 1 in the same manner as described above for TL0 and TH0. Timer 1 is configured and controlled using the relevant TCON and TMOD bits just as with Timer 0. The input signal /INT1 is used with Timer 1; the /INT1 polarity is defined by bit IN1PL in register IT01CF (see SFR Definition 8.11).

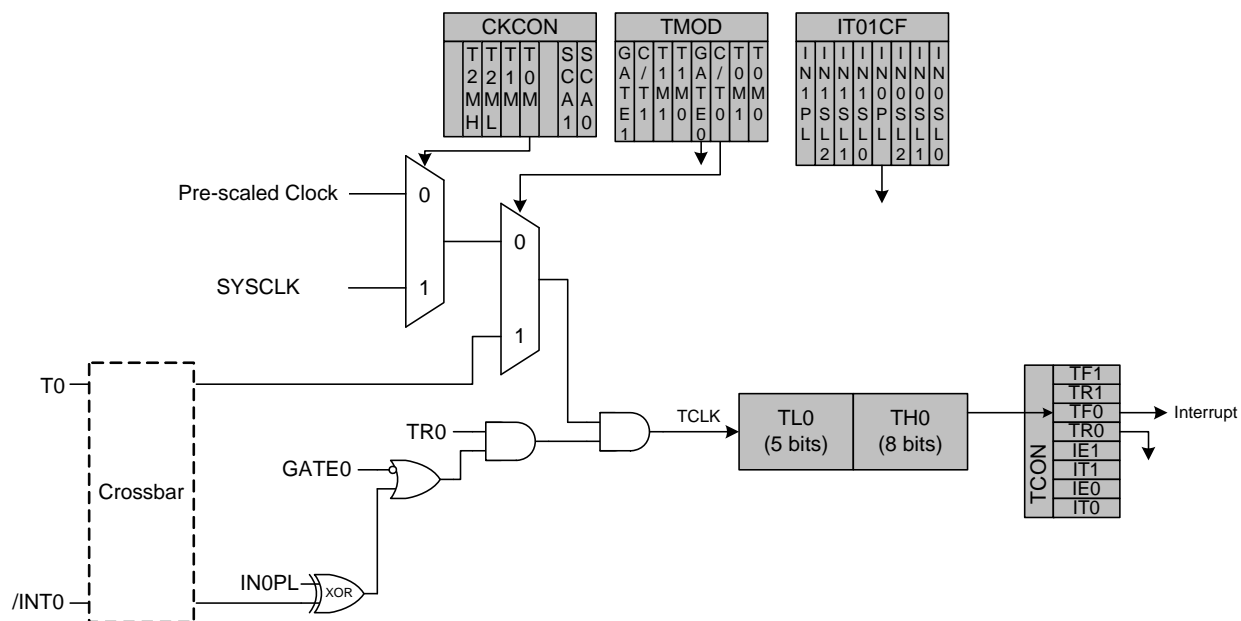


Figure 15.1. T0 Mode 0 Block Diagram

15.1.2. Mode 1: 16-bit Counter/Timer

Mode 1 operation is the same as Mode 0, except that the counter/timer registers use all 16 bits. The counter/timers are enabled and configured in Mode 1 in the same manner as for Mode 0.

15.1.3. Mode 2: 8-bit Counter/Timer with Auto-Reload

Mode 2 configures Timer 0 and Timer 1 to operate as 8-bit counter/timers with automatic reload of the start value. TL0 holds the count and TH0 holds the reload value. When the counter in TL0 overflows from all ones to 0x00, the timer overflow flag TF0 (TCON.5) is set and the counter in TL0 is reloaded from TH0. If Timer 0 interrupts are enabled, an interrupt will occur when the TF0 flag is set. The reload value in TH0 is not changed. TL0 must be initialized to the desired value before enabling the timer for the first count to be correct. When in Mode 2, Timer 1 operates identically to Timer 0.

Both counter/timers are enabled and configured in Mode 2 in the same manner as Mode 0. Setting the TR0 bit (TCON.4) enables the timer when either GATE0 (TMOD.3) is logic 0 or when the input signal /INT0 is active as defined by bit INOPL in register IT01CF (see [Section “8.3.2. External Interrupts” on page 73](#) for details on the external input signals /INT0 and /INT1).

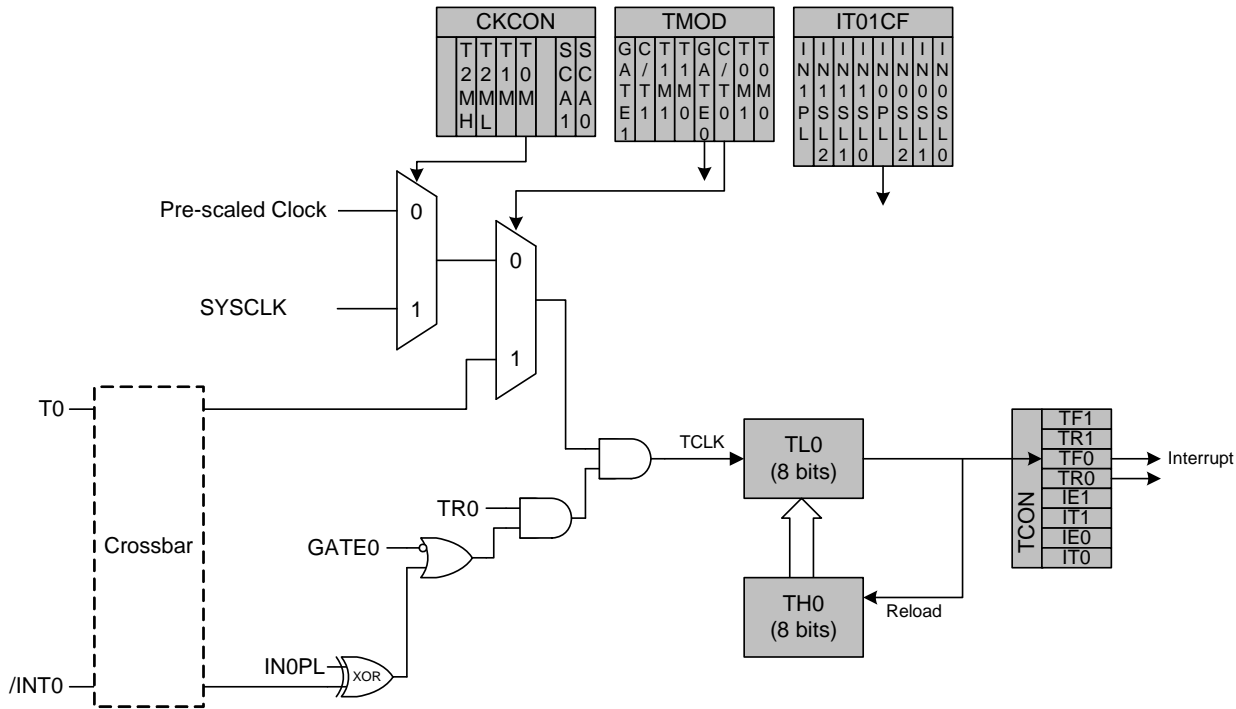


Figure 15.2. T0 Mode 2 Block Diagram

C8051F300/1/2/3/4/5

15.1.4. Mode 3: Two 8-bit Counter/Timers (Timer 0 Only)

In Mode 3, Timer 0 is configured as two separate 8-bit counter/timers held in TL0 and TH0. The counter/timer in TL0 is controlled using the Timer 0 control/status bits in TCON and TMOD: TR0, C/T0, GATE0 and TF0. TL0 can use either the system clock or an external input signal as its timebase. The TH0 register is restricted to a timer function sourced by the system clock or prescaled clock. TH0 is enabled using the Timer 1 run control bit TR1. TH0 sets the Timer 1 overflow flag TF1 on overflow and thus controls the Timer 1 interrupt.

Timer 1 is inactive in Mode 3. When Timer 0 is operating in Mode 3, Timer 1 can be operated in Modes 0, 1 or 2, but cannot be clocked by external signals nor set the TF1 flag and generate an interrupt. However, the Timer 1 overflow can be used to generate baud rates for the SMBus and/or UART, and/or initiate ADC conversions. While Timer 0 is operating in Mode 3, Timer 1 run control is handled through its mode settings. To run Timer 1 while Timer 0 is in Mode 3, set the Timer 1 Mode as 0, 1, or 2. To disable Timer 1, configure it for Mode 3.

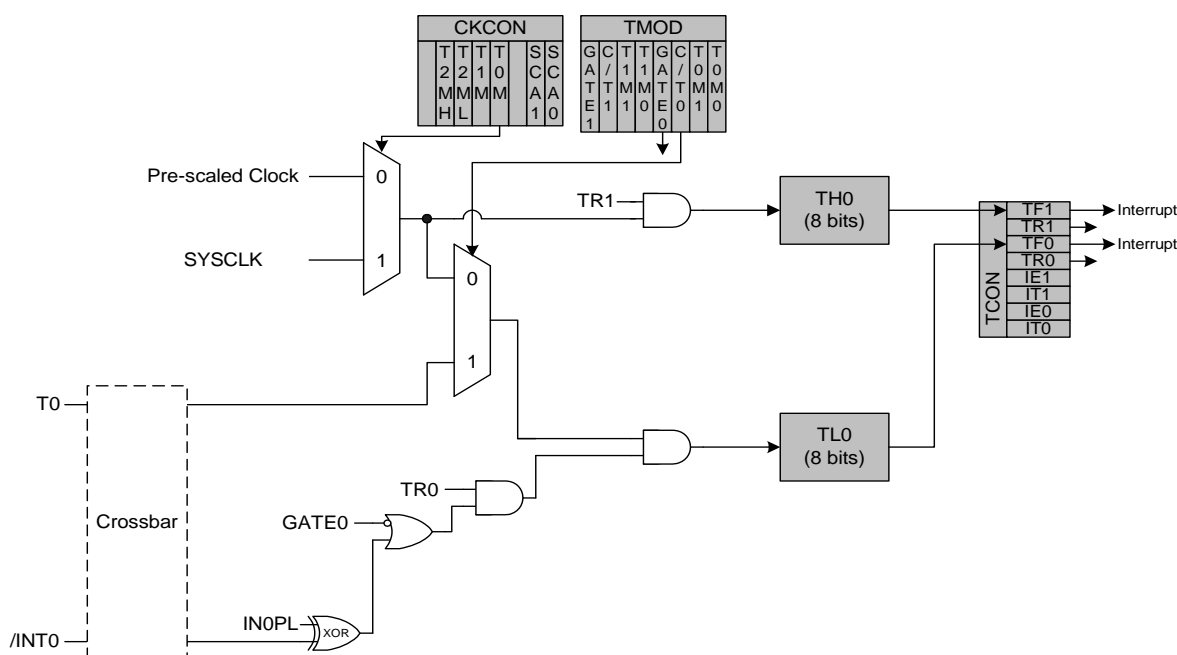


Figure 15.3. T0 Mode 3 Block Diagram

SFR Definition 15.1. TCON: Timer Control

| R/W | R/W | R/W | R/W | R/W | R/W | R/W | R/W | Reset Value |
|------|------|------|------|------|------|------|------|--|
| TF1 | TR1 | TF0 | TR0 | IE1 | IT1 | IE0 | IT0 | 00000000 |
| Bit7 | Bit6 | Bit5 | Bit4 | Bit3 | Bit2 | Bit1 | Bit0 | SFR Address: (bit addressable) 0x88 |

Bit7: TF1: Timer 1 Overflow Flag.
Set by hardware when Timer 1 overflows. This flag can be cleared by software but is automatically cleared when the CPU vectors to the Timer 1 interrupt service routine.
0: No Timer 1 overflow detected.
1: Timer 1 has overflowed.

Bit6: TR1: Timer 1 Run Control.
0: Timer 1 disabled.
1: Timer 1 enabled.

Bit5: TF0: Timer 0 Overflow Flag.
Set by hardware when Timer 0 overflows. This flag can be cleared by software but is automatically cleared when the CPU vectors to the Timer 0 interrupt service routine.
0: No Timer 0 overflow detected.
1: Timer 0 has overflowed.

Bit4: TR0: Timer 0 Run Control.
0: Timer 0 disabled.
1: Timer 0 enabled.

Bit3: IE1: External Interrupt 1.
This flag is set by hardware when an edge/level of type defined by IT1 is detected. It can be cleared by software but is automatically cleared when the CPU vectors to the External Interrupt 1 service routine if IT1 = 1. When IT1 = 0, this flag is set to '1' when /INT1 is active as defined by bit IN1PL in register IT01CF (see SFR Definition 8.11).

Bit2: IT1: Interrupt 1 Type Select.
This bit selects whether the configured /INT1 interrupt will be edge or level sensitive. /INT1 is configured active low or high by the IN1PL bit in the IT01CF register (see SFR Definition 8.11).
0: /INT1 is level triggered.
1: /INT1 is edge triggered.

Bit1: IE0: External Interrupt 0.
This flag is set by hardware when an edge/level of type defined by IT0 is detected. It can be cleared by software but is automatically cleared when the CPU vectors to the External Interrupt 0 service routine if IT0 = 1. When IT0 = 0, this flag is set to '1' when /INT0 is active as defined by bit IN0PL in register IT01CF (see SFR Definition 8.11).

Bit0: IT0: Interrupt 0 Type Select.
This bit selects whether the configured /INT0 interrupt will be edge or level sensitive. /INT0 is configured active low or high by the IN0PL bit in register IT01CF (see SFR Definition 8.11).
0: /INT0 is level triggered.
1: /INT0 is edge triggered.

C8051F300/1/2/3/4/5

SFR Definition 15.2. TMOD: Timer Mode

| | | | | | | | | |
|-------|------|------|------|-------|------|------|------|----------------------|
| R/W | R/W | R/W | R/W | R/W | R/W | R/W | R/W | Reset Value |
| GATE1 | C/T1 | T1M1 | T1M0 | GATE0 | C/T0 | T0M1 | T0M0 | 00000000 |
| Bit7 | Bit6 | Bit5 | Bit4 | Bit3 | Bit2 | Bit1 | Bit0 | SFR Address: 0x89 |

- Bit7: GATE1: Timer 1 Gate Control.
0: Timer 1 enabled when TR1 = 1 irrespective of /INT1 logic level.
1: Timer 1 enabled only when TR1 = 1 AND /INT1 is active as defined by bit IN1PL in register IT01CF (see SFR Definition 8.11).
- Bit6: C/T1: Counter/Timer 1 Select.
0: Timer Function: Timer 1 incremented by clock defined by T1M bit (CKCON.4).
1: Counter Function: Timer 1 incremented by high-to-low transitions on external input pin (T1).
- Bits5–4: T1M1–T1M0: Timer 1 Mode Select.
These bits select the Timer 1 operation mode.

| T1M1 | T1M0 | Mode |
|------|------|--|
| 0 | 0 | Mode 0: 13-bit counter/timer |
| 0 | 1 | Mode 1: 16-bit counter/timer |
| 1 | 0 | Mode 2: 8-bit counter/timer with auto-reload |
| 1 | 1 | Mode 3: Timer 1 inactive |

- Bit3: GATE0: Timer 0 Gate Control.
0: Timer 0 enabled when TR0 = 1 irrespective of /INT0 logic level.
1: Timer 0 enabled only when TR0 = 1 AND /INT0 is active as defined by bit IN0PL in register IT01CF (see SFR Definition 8.11).
- Bit2: C/T0: Counter/Timer Select.
0: Timer Function: Timer 0 incremented by clock defined by T0M bit (CKCON.3).
1: Counter Function: Timer 0 incremented by high-to-low transitions on external input pin (T0).
- Bits1–0: T0M1–T0M0: Timer 0 Mode Select.
These bits select the Timer 0 operation mode.

| T0M1 | T0M0 | Mode |
|------|------|--|
| 0 | 0 | Mode 0: 13-bit counter/timer |
| 0 | 1 | Mode 1: 16-bit counter/timer |
| 1 | 0 | Mode 2: 8-bit counter/timer with auto-reload |
| 1 | 1 | Mode 3: Two 8-bit counter/timers |

SFR Definition 15.3. CKCON: Clock Control

| | | | | | | | | |
|------|------|------|------|------|------|------|------|----------------------|
| R/W | R/W | R/W | R/W | R/W | R/W | R/W | R/W | Reset Value |
| — | T2MH | T2ML | T1M | T0M | — | SCA1 | SCA0 | 00000000 |
| Bit7 | Bit6 | Bit5 | Bit4 | Bit3 | Bit2 | Bit1 | Bit0 | SFR Address: 0x8E |

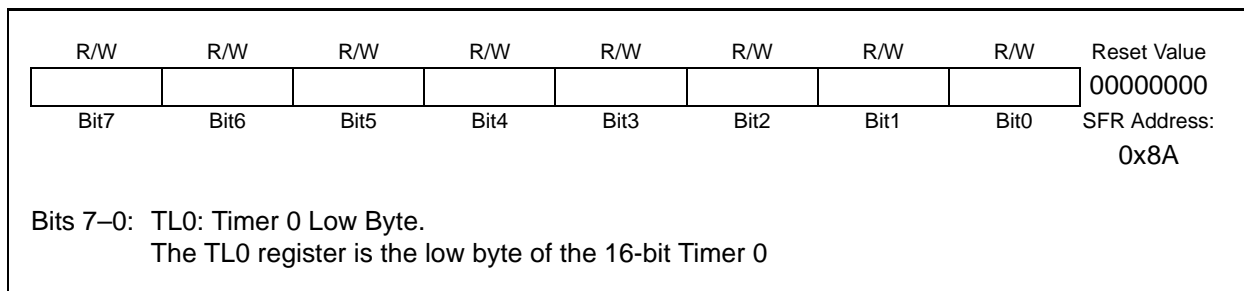
- Bit7: UNUSED. Read = 0b, Write = don't care.
- Bit6: T2MH: Timer 2 High Byte Clock Select
This bit selects the clock supplied to the Timer 2 high byte if Timer 2 is configured in split 8-bit timer mode. T2MH is ignored if Timer 2 is in any other mode.
0: Timer 2 high byte uses the clock defined by the T2XCLK bit in TMR2CN.
1: Timer 2 high byte uses the system clock.
- Bit5: T2ML: Timer 2 Low Byte Clock Select
This bit selects the clock supplied to Timer 2. If Timer 2 is configured in split 8-bit timer mode, this bit selects the clock supplied to the lower 8-bit timer.
0: Timer 2 low byte uses the clock defined by the T2XCLK bit in TMR2CN.
1: Timer 2 low byte uses the system clock.
- Bit4: T1M: Timer 1 Clock Select.
This select the clock source supplied to Timer 1. T1M is ignored when C/T1 is set to logic 1.
0: Timer 1 uses the clock defined by the prescale bits, SCA1–SCA0.
1: Timer 1 uses the system clock.
- Bit3: T0M: Timer 0 Clock Select.
This bit selects the clock source supplied to Timer 0. T0M is ignored when C/T0 is set to logic 1.
0: Counter/Timer 0 uses the clock defined by the prescale bits, SCA1–SCA0.
1: Counter/Timer 0 uses the system clock.
- Bit2: UNUSED. Read = 0b, Write = don't care.
- Bits1–0: SCA1–SCA0: Timer 0/1 Prescale Bits
These bits control the division of the clock supplied to Timer 0 and/or Timer 1 if configured to use prescaled clock inputs.

| SCA1 | SCA0 | Prescaled Clock |
|------|------|-----------------------------|
| 0 | 0 | System clock divided by 12 |
| 0 | 1 | System clock divided by 4 |
| 1 | 0 | System clock divided by 48 |
| 1 | 1 | External clock divided by 8 |

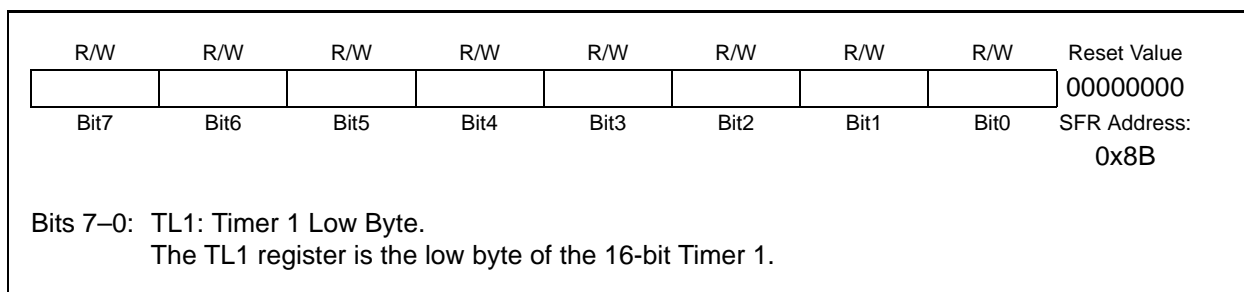
Note: External clock divided by 8 is synchronized with the system clock, and the external clock must be less than or equal to the system clock to operate in this mode.

C8051F300/1/2/3/4/5

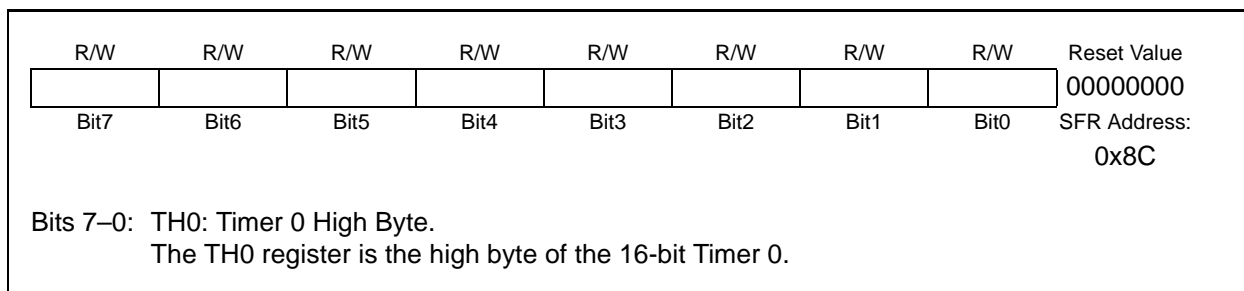
SFR Definition 15.4. TL0: Timer 0 Low Byte



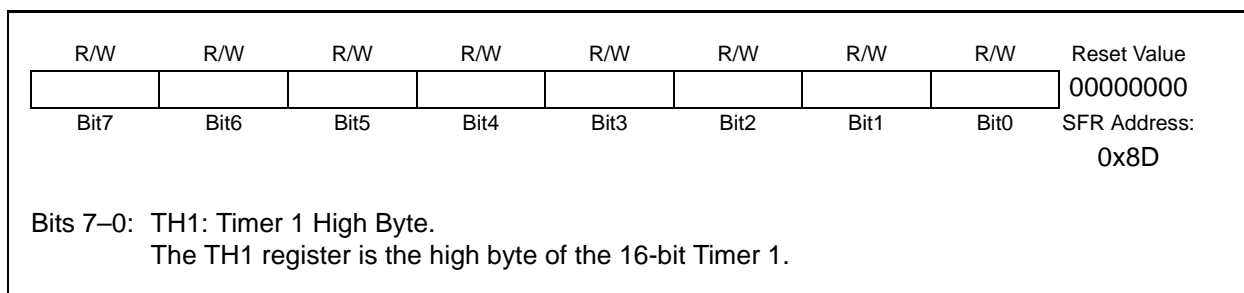
SFR Definition 15.5. TL1: Timer 1 Low Byte



SFR Definition 15.6. TH0: Timer 0 High Byte



SFR Definition 15.7. TH1: Timer 1 High Byte



15.2. Timer 2

Timer 2 is a 16-bit timer formed by two 8-bit SFRs: TMR2L (low byte) and TMR2H (high byte). Timer 2 may operate in 16-bit auto-reload mode or (split) 8-bit auto-reload mode. The T2SPLIT bit (TMR2CN.3) defines the Timer 2 operation mode.

Timer 2 may be clocked by the system clock, the system clock divided by 12, or the external oscillator source divided by 8. The external clock mode is ideal for real-time clock (RTC) functionality, where the internal oscillator drives the system clock while Timer 2 (and/or the PCA) is clocked by an external precision oscillator. Note that the external oscillator source divided by 8 is synchronized with the system clock.

15.2.1. 16-bit Timer with Auto-Reload

When T2SPLIT (TMR2CN.3) is zero, Timer 2 operates as a 16-bit timer with auto-reload. Timer 2 can be clocked by SYSCLK, SYSCLK divided by 12, or the external oscillator clock source divided by 8. As the 16-bit timer register increments and overflows from 0xFFFF to 0x0000, the 16-bit value in the Timer 2 reload registers (TMR2RLH and TMR2RLL) is loaded into the Timer 2 register as shown in Figure 15.4, and the Timer 2 High Byte Overflow Flag (TMR2CN.7) is set. If Timer 2 interrupts are enabled (if IE.5 is set), an interrupt will be generated on each Timer 2 overflow. Additionally, if Timer 2 interrupts are enabled and the TF2LEN bit is set (TMR2CN.5), an interrupt will be generated each time the lower 8 bits (TMR2L) overflow from 0xFF to 0x00.

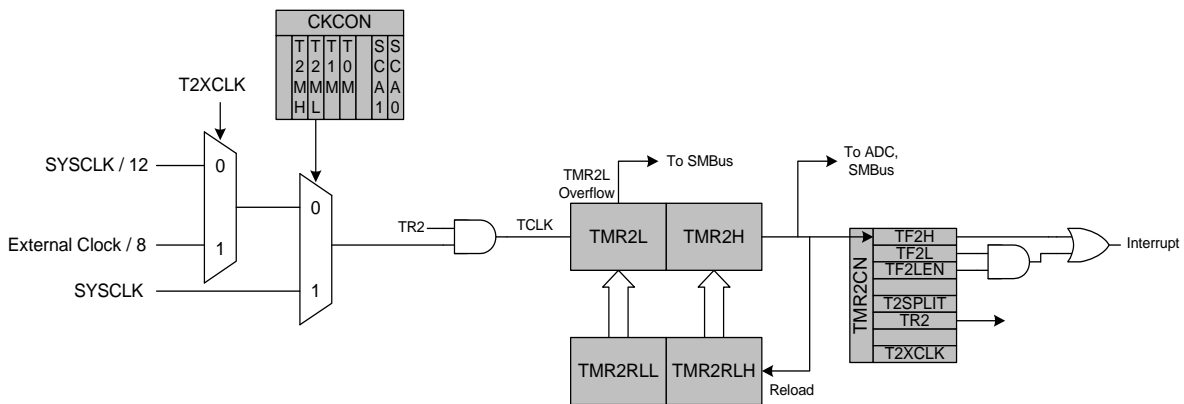


Figure 15.4. Timer 2 16-Bit Mode Block Diagram

C8051F300/1/2/3/4/5

15.2.2. 8-bit Timers with Auto-Reload

When T2SPLIT is set, Timer 2 operates as two 8-bit timers (TMR2H and TMR2L). Both 8-bit timers operate in auto-reload mode as shown in Figure 15.5. TMR2RLL holds the reload value for TMR2L; TMR2RLH holds the reload value for TMR2H. The TR2 bit in TMR2CN handles the run control for TMR2H. TMR2L is always running when configured for 8-bit Mode.

Each 8-bit timer may be configured to use SYSCLK, SYSCLK divided by 12, or the external oscillator clock source divided by 8. The Timer 2 Clock Select bits (T2MH and T2ML in CKCON) select either SYSCLK or the clock defined by the Timer 2 External Clock Select bit (T2XCLK in TMR2CN), as follows:

| T2MH | T2XCLK | TMR2H Clock Source |
|------|--------|--------------------|
| 0 | 0 | SYSCLK / 12 |
| 0 | 1 | External Clock / 8 |
| 1 | X | SYSCLK |

| T2ML | T2XCLK | TMR2L Clock Source |
|------|--------|--------------------|
| 0 | 0 | SYSCLK / 12 |
| 0 | 1 | External Clock / 8 |
| 1 | X | SYSCLK |

Note: External clock divided by 8 is synchronized with the system clock, and the external clock must be less than or equal to the system clock to operate in this mode.

The TF2H bit is set when TMR2H overflows from 0xFF to 0x00; the TF2L bit is set when TMR2L overflows from 0xFF to 0x00. When Timer 2 interrupts are enabled (IE.5), an interrupt is generated each time TMR2H overflows. If Timer 2 interrupts are enabled and TF2LEN (TMR2CN.5) is set, an interrupt is generated each time either TMR2L or TMR2H overflows. When TF2LEN is enabled, software must check the TF2H and TF2L flags to determine the source of the Timer 2 interrupt. The TF2H and TF2L interrupt flags are not cleared by hardware and must be manually cleared by software.

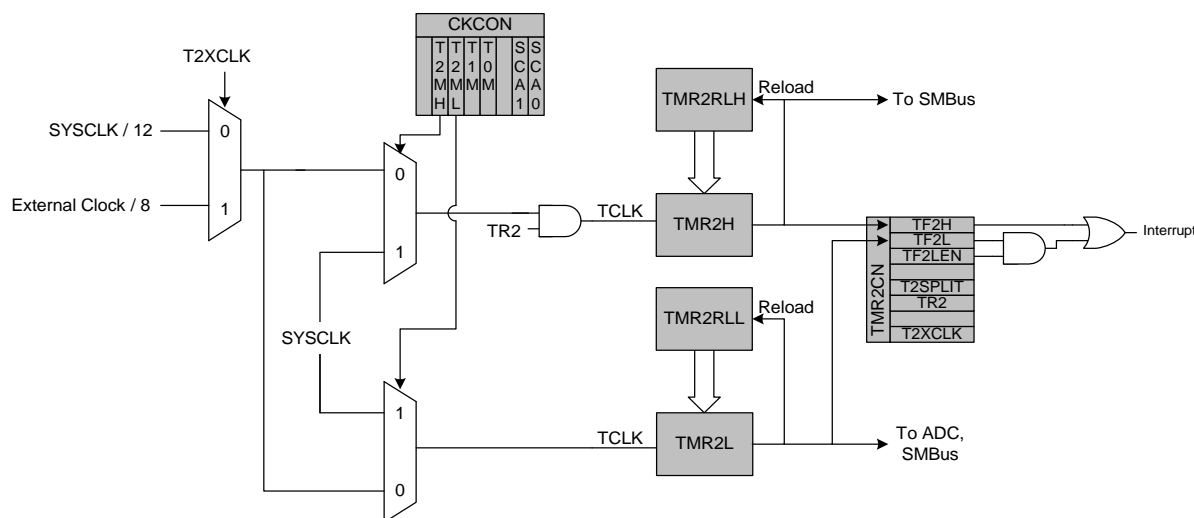


Figure 15.5. Timer 2 8-Bit Mode Block Diagram

SFR Definition 15.8. TMR2CN: Timer 2 Control

| R/W | R/W | R/W | R/W | R/W | R/W | R/W | R/W | Reset Value |
|------|------|--------|------|---------|------|------|--------|--|
| TF2H | TF2L | TF2LEN | — | T2SPLIT | TR2 | — | T2XCLK | 00000000 |
| Bit7 | Bit6 | Bit5 | Bit4 | Bit3 | Bit2 | Bit1 | Bit0 | SFR Address: (bit addressable) 0xC8 |

Bit7: TF2H: Timer 2 High Byte Overflow Flag
 Set by hardware when the Timer 2 high byte overflows from 0xFF to 0x00. In 16 bit mode, this will occur when Timer 2 overflows from 0xFFFF to 0x0000. When the Timer 2 interrupt is enabled, setting this bit causes the CPU to vector to the Timer 2 interrupt service routine. TF2H is not automatically cleared by hardware and must be cleared by software.

Bit6: TF2L: Timer 2 Low Byte Overflow Flag
 Set by hardware when the Timer 2 low byte overflows from 0xFF to 0x00. When this bit is set, an interrupt will be generated if TF2LEN is set and Timer 2 interrupts are enabled. TF2L will set when the low byte overflows regardless of the Timer 2 mode. This bit is not automatically cleared by hardware.

Bit5: TF2LEN: Timer 2 Low Byte Interrupt Enable.
 This bit enables/disables Timer 2 Low Byte interrupts. If TF2LEN is set and Timer 2 interrupts are enabled, an interrupt will be generated when the low byte of Timer 2 overflows. This bit should be cleared when operating Timer 2 in 16-bit mode.
 0: Timer 2 Low Byte interrupts disabled.
 1: Timer 2 Low Byte interrupts enabled.

Bit4: UNUSED. Read = 0b. Write = don't care.

Bit3: T2SPLIT: Timer 2 Split Mode Enable
 When this bit is set, Timer 2 operates as two 8-bit timers with auto-reload.
 0: Timer 2 operates in 16-bit auto-reload mode.
 1: Timer 2 operates as two 8-bit auto-reload timers.

Bit2: TR2: Timer 2 Run Control.
 This bit enables/disables Timer 2. In 8-bit mode, this bit enables/disables TMR2H only; TMR2L is always enabled in this mode.
 0: Timer 2 disabled.
 1: Timer 2 enabled.

Bit1: UNUSED. Read = 0b. Write = don't care.

Bit0: T2XCLK: Timer 2 External Clock Select
 This bit selects the external clock source for Timer 2. If Timer 2 is in 8-bit mode, this bit selects the external oscillator clock source for both timer bytes. However, the Timer 2 Clock Select bits (T2MH and T2ML in register CKCON) may still be used to select between the external clock and the system clock for either timer.
 0: Timer 2 external clock selection is the system clock divided by 12.
 1: Timer 2 external clock selection is the external clock divided by 8. Note that the external oscillator source divided by 8 is synchronized with the system clock.

C8051F300/1/2/3/4/5

SFR Definition 15.9. TMR2RLL: Timer 2 Reload Register Low Byte

| R/W | R/W | R/W | R/W | R/W | R/W | R/W | R/W | Reset Value |
|------|------|------|------|------|------|------|------|----------------------|
| | | | | | | | | 00000000 |
| Bit7 | Bit6 | Bit5 | Bit4 | Bit3 | Bit2 | Bit1 | Bit0 | SFR Address: 0xCA |

Bits 7–0: TMR2RLL: Timer 2 Reload Register Low Byte.
TMR2RLL holds the low byte of the reload value for Timer 2.

SFR Definition 15.10. TMR2RLH: Timer 2 Reload Register High Byte

| R/W | R/W | R/W | R/W | R/W | R/W | R/W | R/W | Reset Value |
|------|------|------|------|------|------|------|------|----------------------|
| | | | | | | | | 00000000 |
| Bit7 | Bit6 | Bit5 | Bit4 | Bit3 | Bit2 | Bit1 | Bit0 | SFR Address: 0xCB |

Bits 7–0: TMR2RLH: Timer 2 Reload Register High Byte.
The TMR2RLH holds the high byte of the reload value for Timer 2.

SFR Definition 15.11. TMR2L: Timer 2 Low Byte

| R/W | R/W | R/W | R/W | R/W | R/W | R/W | R/W | Reset Value |
|------|------|------|------|------|------|------|------|----------------------|
| | | | | | | | | 00000000 |
| Bit7 | Bit6 | Bit5 | Bit4 | Bit3 | Bit2 | Bit1 | Bit0 | SFR Address: 0xCC |

Bits 7–0: TMR2L: Timer 2 Low Byte.
In 16-bit mode, the TMR2L register contains the low byte of the 16-bit Timer 2. In 8-bit mode, TMR2L contains the 8-bit low byte timer value.

SFR Definition 15.12. TMR2H Timer 2 High Byte

| R/W | R/W | R/W | R/W | R/W | R/W | R/W | R/W | Reset Value |
|------|------|------|------|------|------|------|------|----------------------|
| | | | | | | | | 00000000 |
| Bit7 | Bit6 | Bit5 | Bit4 | Bit3 | Bit2 | Bit1 | Bit0 | SFR Address: 0xCD |

Bits 7–0: TMR2H: Timer 2 High Byte.
In 16-bit mode, the TMR2H register contains the high byte of the 16-bit Timer 2. In 8-bit mode, TMR2H contains the 8-bit high byte timer value.

16. Programmable Counter Array

The Programmable Counter Array (PCA0) provides enhanced timer functionality while requiring less CPU intervention than the standard 8051 counter/timers. The PCA consists of a dedicated 16-bit counter/timer and three 16-bit capture/compare modules. Each capture/compare module has its own associated I/O line (CEXn) which is routed through the Crossbar to Port I/O when enabled (See [Section “12.1. Priority Crossbar Decoder” on page 104](#) for details on configuring the Crossbar). The counter/timer is driven by a programmable timebase that can select between six sources: system clock, system clock divided by four, system clock divided by twelve, the external oscillator clock source divided by 8, Timer 0 overflow, or an external clock signal on the ECI input pin. Each capture/compare module may be configured to operate independently in one of six modes: Edge-Triggered Capture, Software Timer, High-Speed Output, Frequency Output, 8-Bit PWM, or 16-Bit PWM (each mode is described in [Section “16.2. Capture/Compare Modules” on page 157](#)). The external oscillator clock option is ideal for real-time clock (RTC) functionality, allowing the PCA to be clocked by a precision external oscillator while the internal oscillator drives the system clock. The PCA is configured and controlled through the system controller's Special Function Registers. The basic PCA block diagram is shown in Figure 16.1.

Important Note: The PCA Module 2 may be used as a watchdog timer (WDT), and is enabled in this mode following a system reset. Access to certain PCA registers is restricted while WDT mode is enabled. See [Section 16.3](#) for details.

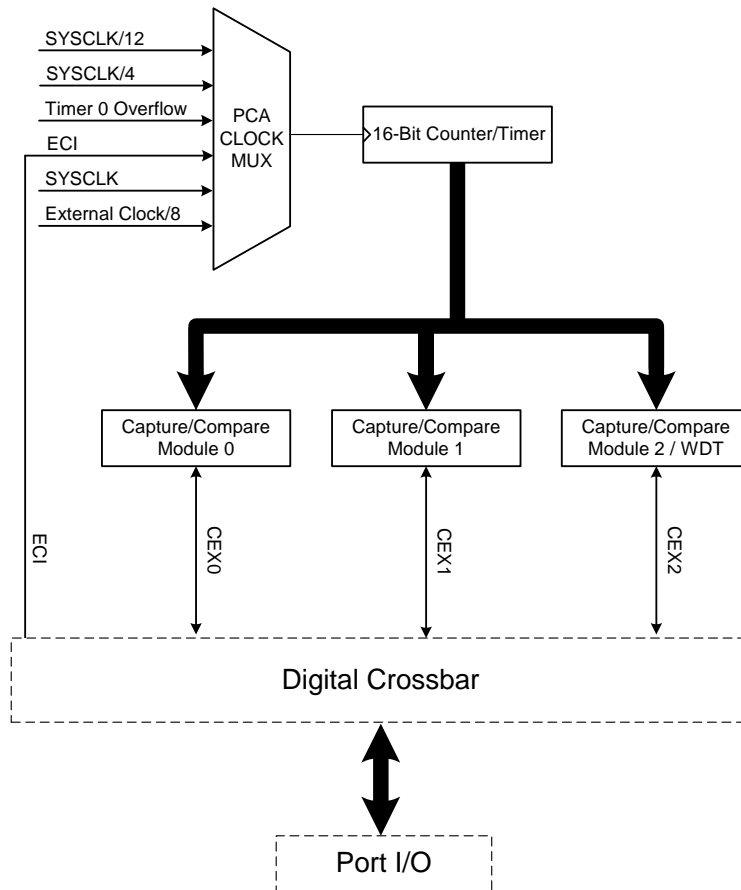


Figure 16.1. PCA Block Diagram

C8051F300/1/2/3/4/5

16.1. PCA Counter/Timer

The 16-bit PCA counter/timer consists of two 8-bit SFRs: PCA0L and PCA0H. PCA0H is the high byte (MSB) of the 16-bit counter/timer and PCA0L is the low byte (LSB). Reading PCA0L automatically latches the value of PCA0H into a “snapshot” register; the following PCA0H read accesses this “snapshot” register. **Reading the PCA0L Register first guarantees an accurate reading of the entire 16-bit PCA0 counter.** Reading PCA0H or PCA0L does not disturb the counter operation. The CPS2-CPS0 bits in the PCA0MD register select the timebase for the counter/timer as shown in Table 16.1. **Note that in ‘External oscillator source divided by 8’ mode, the external oscillator source is synchronized with the system clock, and must have a frequency less than or equal to the system clock.**

When the counter/timer overflows from 0xFFFF to 0x0000, the Counter Overflow Flag (CF) in PCA0MD is set to logic 1 and an interrupt request is generated if CF interrupts are enabled. Setting the ECF bit in PCA0MD to logic 1 enables the CF flag to generate an interrupt request. The CF bit is not automatically cleared by hardware when the CPU vectors to the interrupt service routine, and must be cleared by software (Note: PCA0 interrupts must be globally enabled before CF interrupts are recognized. PCA0 interrupts are globally enabled by setting the EA bit and the EPCA0 bit to logic 1). Clearing the CIDL bit in the PCA0MD register allows the PCA to continue normal operation while the CPU is in Idle mode.

Table 16.1. PCA Timebase Input Options

| CPS2 | CPS1 | CPS0 | Timebase |
|------|------|------|---|
| 0 | 0 | 0 | System clock divided by 12 |
| 0 | 0 | 1 | System clock divided by 4 |
| 0 | 1 | 0 | Timer 0 overflow |
| 0 | 1 | 1 | High-to-low transitions on ECI (max rate = system clock divided by 4) |
| 1 | 0 | 0 | System clock |
| 1 | 0 | 1 | External oscillator source divided by 8* |

*Note: External oscillator source divided by 8 is synchronized with the system clock.

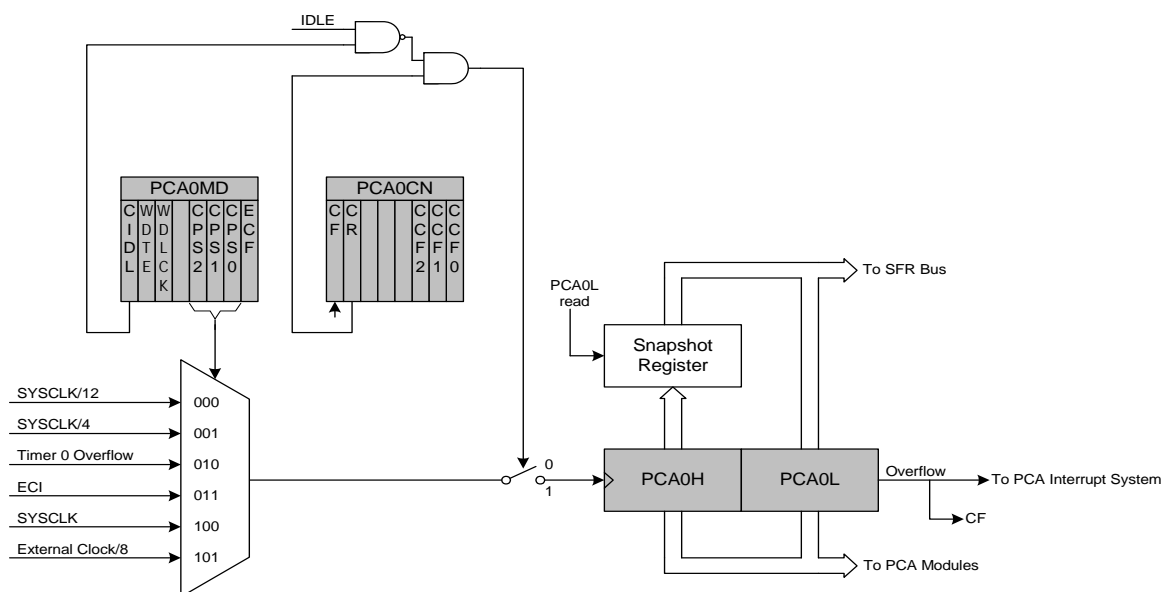


Figure 16.2. PCA Counter/Timer Block Diagram

16.2. Capture/Compare Modules

Each module can be configured to operate independently in one of six operation modes: Edge-triggered Capture, Software Timer, High Speed Output, Frequency Output, 8-bit Pulse Width Modulator, or 16-bit Pulse Width Modulator. Each module has Special Function Registers (SFRs) associated with it in the CIP-51 system controller. These registers are used to exchange data with a module and configure the module's mode of operation.

Table 16.2 summarizes the bit settings in the PCA0CPMn registers used to select the PCA capture/compare module's operating modes. Setting the ECCFn bit in a PCA0CPMn register enables the module's CCFn interrupt. Note: PCA0 interrupts must be globally enabled before individual CCFn interrupts are recognized. PCA0 interrupts are globally enabled by setting the EA bit and the EPCA0 bit to logic 1. See Figure 16.3 for details on the PCA interrupt configuration.

Table 16.2. PCA0CPM Register Settings for PCA Capture/Compare Modules

| PWM16 | ECOM | CAPP | CAPN | MAT | TOG | PWM | ECCF | Operation Mode |
|-------|------|------|------|-----|-----|-----|------|--|
| X* | X* | 1 | 0 | 0 | 0 | 0 | X* | Capture triggered by positive edge on CEXn |
| X* | X* | 0 | 1 | 0 | 0 | 0 | X* | Capture triggered by negative edge on CEXn |
| X* | X* | 1 | 1 | 0 | 0 | 0 | X* | Capture triggered by transition on CEXn |
| X* | 1 | 0 | 0 | 1 | 0 | 0 | X* | Software Timer |
| X* | 1 | 0 | 0 | 1 | 1 | 0 | X* | High Speed Output |
| X* | 1 | 0 | 0 | X* | 1 | 1 | X* | Frequency Output |
| 0 | 1 | 0 | 0 | X* | 0 | 1 | X* | 8-bit Pulse Width Modulator |
| 1 | 1 | 0 | 0 | X* | 0 | 1 | X* | 16-bit Pulse Width Modulator |

*Note: X = Don't Care

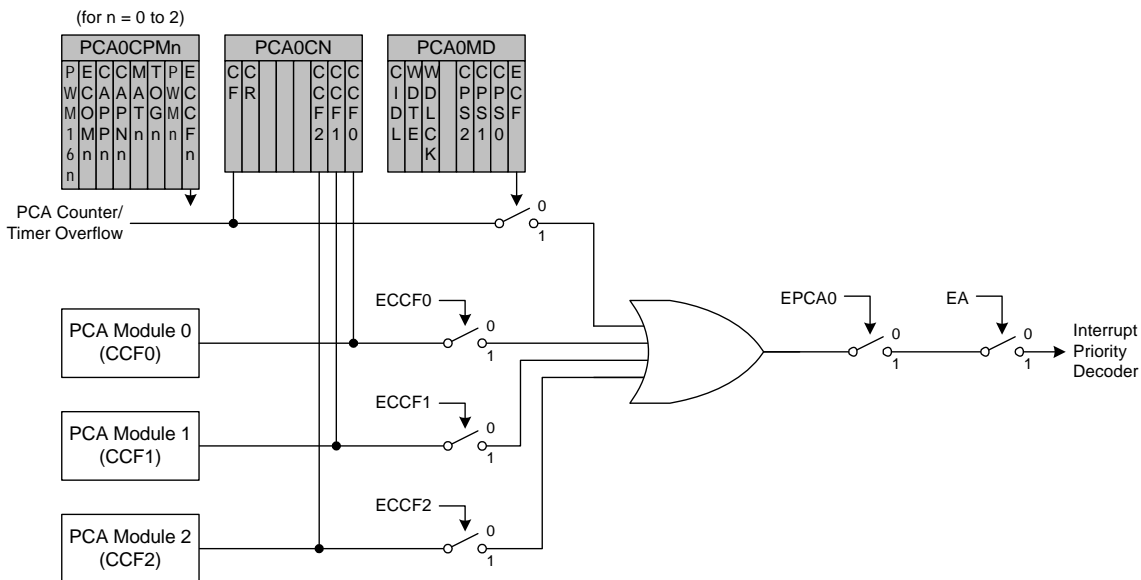


Figure 16.3. PCA Interrupt Block Diagram

16.2.1. Edge-triggered Capture Mode

In this mode, a valid transition on the CEX_n pin causes the PCA to capture the value of the PCA counter/timer and copy it into the corresponding module's 16-bit capture/compare register (PCA0CPL_n and PCA0CPH_n). The CAPP_n and CAPN_n bits in the PCA0CPM_n register are used to select the type of transition that triggers the capture: low-to-high transition (positive edge), high-to-low transition (negative edge), or either transition (positive or negative edge). When a capture occurs, the Capture/Compare Flag (CCF_n) in PCA0CN is set to logic 1 and an interrupt request is generated if CCF interrupts are enabled. The CCF_n bit is not automatically cleared by hardware when the CPU vectors to the interrupt service routine, and must be cleared by software. If both CAPP_n and CAPN_n bits are set to logic 1, then the state of the Port pin associated with CEX_n can be read directly to determine whether a rising-edge or falling-edge caused the capture.

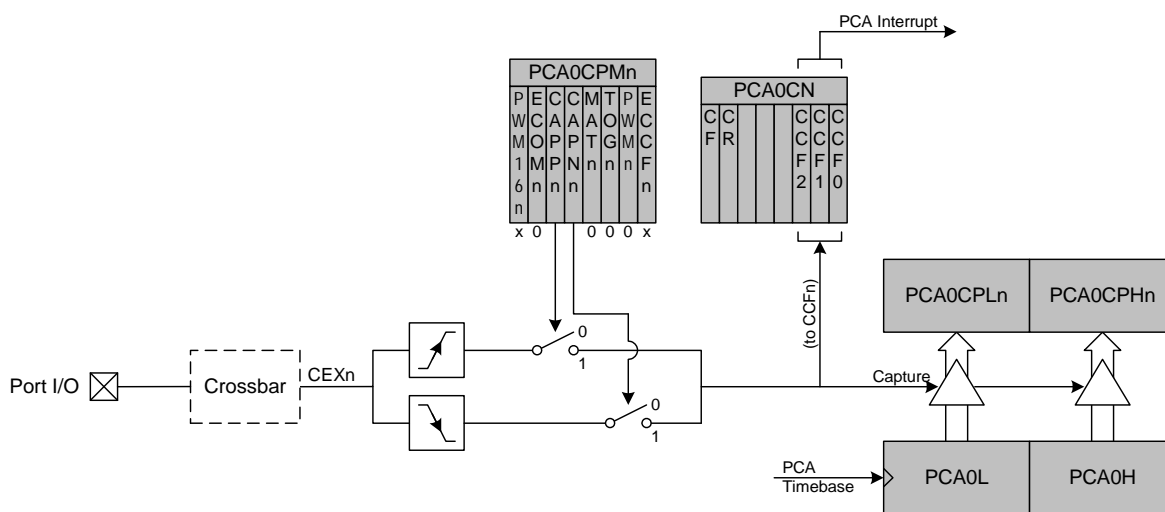


Figure 16.4. PCA Capture Mode Diagram

Note: The CEX_n input signal must remain high or low for at least 2 system clock cycles to be recognized by the hardware.

16.2.2. Software Timer (Compare) Mode

In Software Timer mode, the PCA counter/timer value is compared to the module's 16-bit capture/compare register (PCA0CPHn and PCA0CPLn). When a match occurs, the Capture/Compare Flag (CCFn) in PCA0CN is set to logic 1 and an interrupt request is generated if CCF interrupts are enabled. The CCFn bit is not automatically cleared by hardware when the CPU vectors to the interrupt service routine, and must be cleared by software. Setting the ECOMn and MATn bits in the PCA0CPMn register enables Software Timer mode.

Important Note About Capture/Compare Registers: When writing a 16-bit value to the PCA0 Capture/Compare registers, the low byte should always be written first. Writing to PCA0CPLn clears the ECOMn bit to '0'; writing to PCA0CPHn sets ECOMn to '1'.

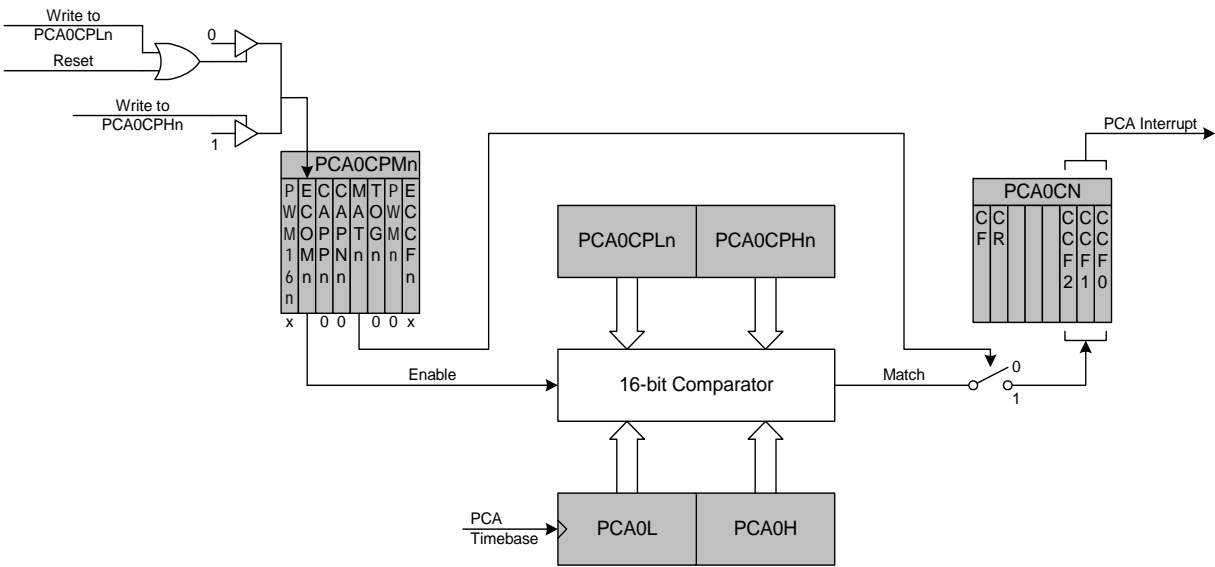


Figure 16.5. PCA Software Timer Mode Diagram

C8051F300/1/2/3/4/5

16.2.3. High Speed Output Mode

In High Speed Output mode, a module's associated CEXn pin is toggled each time a match occurs between the PCA Counter and the module's 16-bit capture/compare register (PCA0CPHn and PCA0CPLn). Setting the TOGn, MATn, and ECOMn bits in the PCA0CPMn register enables the High-Speed Output mode.

Important Note About Capture/Compare Registers: When writing a 16-bit value to the PCA0 Capture/Compare registers, the low byte should always be written first. Writing to PCA0CPLn clears the ECOMn bit to '0'; writing to PCA0CPHn sets ECOMn to '1'.

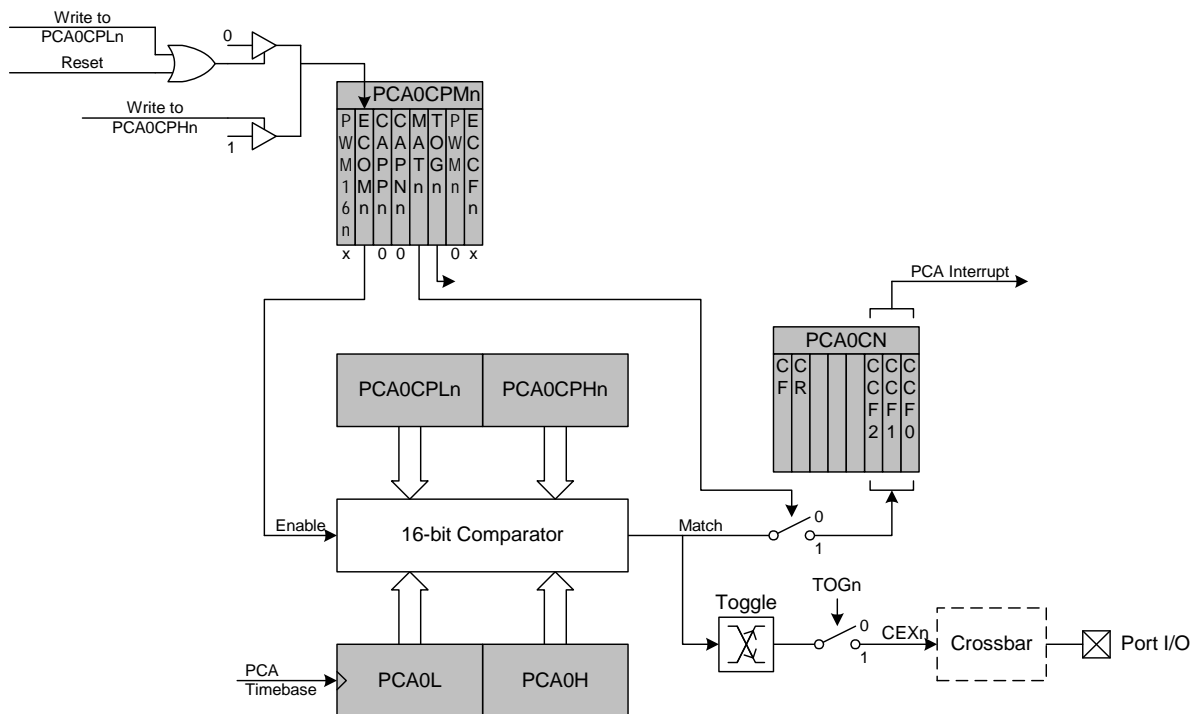


Figure 16.6. PCA High Speed Output Mode Diagram

16.2.4. Frequency Output Mode

Frequency Output Mode produces a programmable-frequency square wave on the module’s associated CEXn pin. The capture/compare module high byte holds the number of PCA clocks to count before the output is toggled. The frequency of the square wave is then defined by Equation 16.1.

$$F_{CEXn} = \frac{F_{PCA}}{2 \times PCA0CPHn}$$

Equation 16.1. Square Wave Frequency Output

Where F_{PCA} is the frequency of the clock selected by the CPS2–0 bits in the PCA mode register, PCA0MD. The lower byte of the capture/compare module is compared to the PCA counter low byte; on a match, CEXn is toggled and the offset held in the high byte is added to the matched value in PCA0CPLn. Frequency Output Mode is enabled by setting the ECOMn, TOGn, and PWMn bits in the PCA0CPMn register.

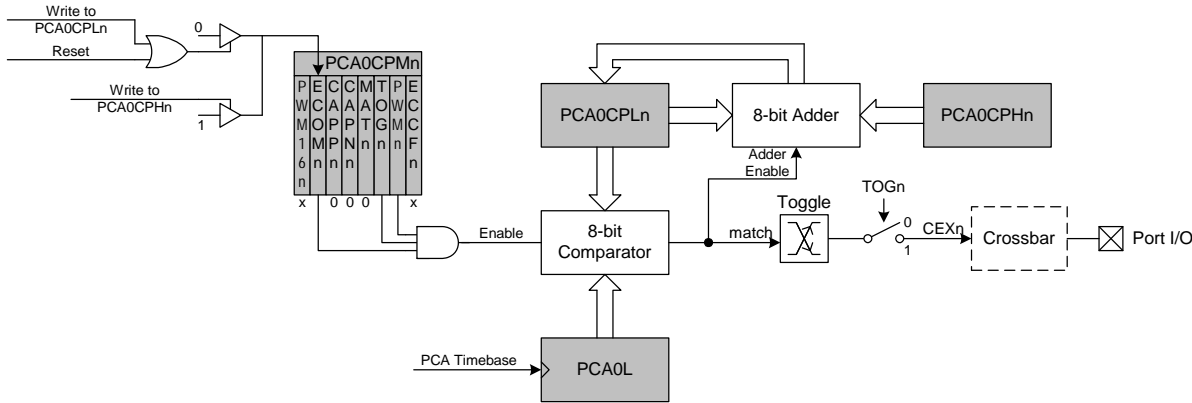


Figure 16.7. PCA Frequency Output Mode

C8051F300/1/2/3/4/5

16.2.5. 8-Bit Pulse Width Modulator Mode

Each module can be used independently to generate a pulse width modulated (PWM) output on its associated CEXn pin. The frequency of the output is dependent on the timebase for the PCA counter/timer. The duty cycle of the PWM output signal is varied using the module's PCA0CPLn capture/compare register. When the value in the low byte of the PCA counter/timer (PCA0L) is equal to the value in PCA0CPLn, the output on the CEXn pin will be set to '1'. When the count value in PCA0L overflows, the CEXn output will be set to '0' (see Figure 16.8). Also, when the counter/timer low byte (PCA0L) overflows from 0xFF to 0x00, PCA0CPLn is reloaded automatically with the value stored in the module's capture/compare high byte (PCA0CPHn) without software intervention. Setting the ECOMn and PWMn bits in the PCA0CPMn register enables 8-bit Pulse Width Modulator mode. The duty cycle for 8-bit PWM Mode is given by Equation 16.2.

Important Note About Capture/Compare Registers: When writing a 16-bit value to the PCA0 Capture/Compare registers, the low byte should always be written first. Writing to PCA0CPLn clears the ECOMn bit to '0'; writing to PCA0CPHn sets ECOMn to '1'.

$$DutyCycle = \frac{(256 - PCA0CPHn)}{256}$$

Equation 16.2. 8-Bit PWM Duty Cycle

Using Equation 16.2, the largest duty cycle is 100% (PCA0CPHn = 0), and the smallest duty cycle is 0.39% (PCA0CPHn = 0xFF). A 0% duty cycle may be generated by clearing the ECOMn bit to '0'.

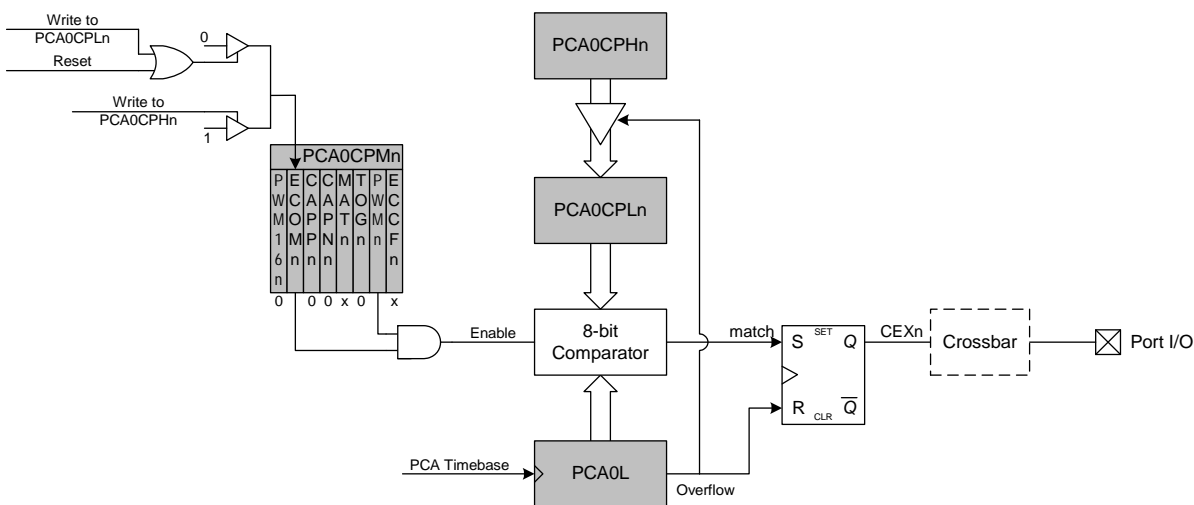


Figure 16.8. PCA 8-Bit PWM Mode Diagram

16.2.6. 16-Bit Pulse Width Modulator Mode

A PCA module may also be operated in 16-bit PWM mode. In this mode, the 16-bit capture/compare module defines the number of PCA clocks for the low time of the PWM signal. When the PCA counter matches the module contents, the output on CEXn is set to '1'; when the counter overflows, CEXn is set to '0'. To output a varying duty cycle, new value writes should be synchronized with PCA CCFn match interrupts. 16-bit PWM Mode is enabled by setting the ECOMn, PWMn, and PWM16n bits in the PCA0CPMn register. For a varying duty cycle, match interrupts should be enabled (ECCFn = 1 AND MATn = 1) to help synchronize the capture/compare register writes. The duty cycle for 16-bit PWM Mode is given by Equation 16.3.

Important Note About Capture/Compare Registers: When writing a 16-bit value to the PCA0 Capture/Compare registers, the low byte should always be written first. Writing to PCA0CPLn clears the ECOMn bit to '0'; writing to PCA0CPHn sets ECOMn to '1'.

$$DutyCycle = \frac{(65536 - PCA0CPn)}{65536}$$

Equation 16.3. 16-Bit PWM Duty Cycle

Using Equation 16.3, the largest duty cycle is 100% (PCA0CPn = 0), and the smallest duty cycle is 0.0015% (PCA0CPn = 0xFFFF). A 0% duty cycle may be generated by clearing the ECOMn bit to '0'.

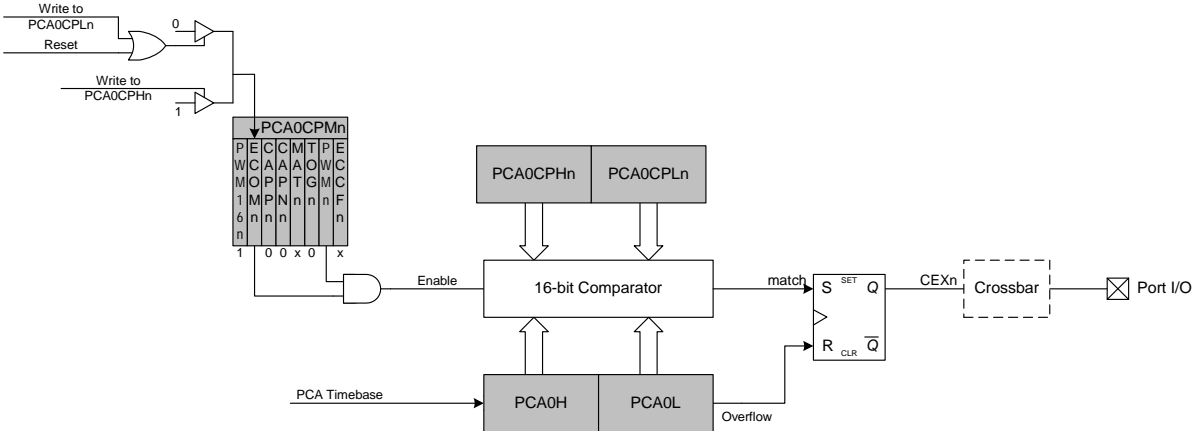


Figure 16.9. PCA 16-Bit PWM Mode

C8051F300/1/2/3/4/5

16.3. Watchdog Timer Mode

A programmable watchdog timer (WDT) function is available through the PCA Module 2. The WDT is used to generate a reset if the time between writes to the WDT update register (PCA0CPH2) exceed a specified limit. The WDT can be configured and enabled/disabled as needed by software.

With the WDTE bit set in the PCA0MD register, Module 2 operates as a watchdog timer (WDT). The Module 2 high byte is compared to the PCA counter high byte; the Module 2 low byte holds the offset to be used when WDT updates are performed. **The Watchdog Timer is enabled on reset. Writes to some PCA registers are restricted while the Watchdog Timer is enabled.**

16.3.1. Watchdog Timer Operation

While the WDT is enabled:

- PCA counter is forced on.
- Writes to PCA0L and PCA0H are not allowed.
- PCA clock source bits (CPS2–CPS0) are frozen.
- PCA Idle control bit (CIDL) is frozen.
- Module 2 is forced into software timer mode.
- Writes to the module 2 mode register (PCA0CPM2) are disabled.

While the WDT is enabled, writes to the CR bit will not change the PCA counter state; the counter will run until the WDT is disabled. The PCA counter run control (CR) will read zero if the WDT is enabled but user software has not enabled the PCA counter. If a match occurs between PCA0CPH2 and PCA0H while the WDT is enabled, a reset will be generated. To prevent a WDT reset, the WDT may be updated with a write of any value to PCA0CPH2. Upon a PCA0CPH2 write, PCA0H plus the offset held in PCA0CPL2 is loaded into PCA0CPH2 (See Figure 16.10).

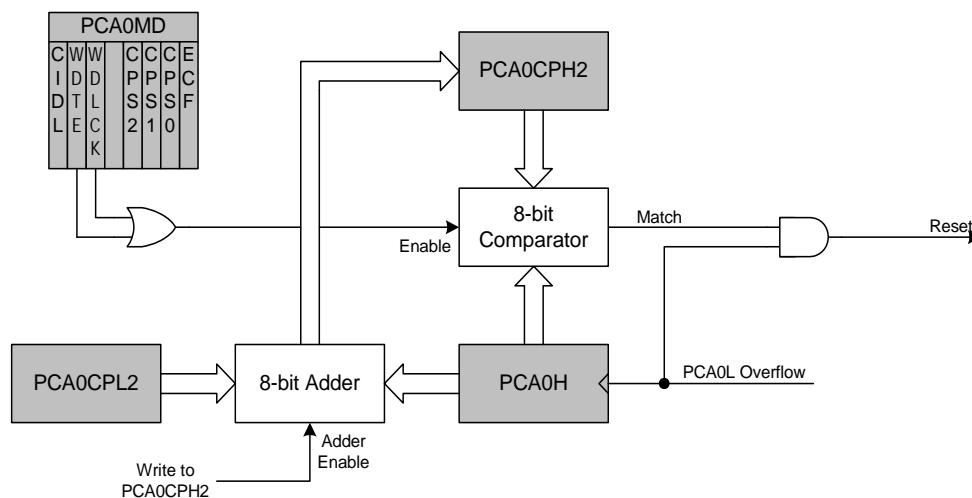


Figure 16.10. PCA Module 2 with Watchdog Timer Enabled

Note that the 8-bit offset held in PCA0CPH2 is compared to the upper byte of the 16-bit PCA counter. This offset value is the number of PCA0L overflows before a reset. Up to 256 PCA clocks may pass before the first PCA0L overflow occurs, depending on the value of the PCA0L when the update is performed. The total offset is then given (in PCA clocks) by Equation 16.4, where PCA0L is the value of the PCA0L register at the time of the update.

$$\text{Offset} = (256 \times \text{PCA0CPL2}) + (256 - \text{PCA0L})$$

Equation 16.4. Watchdog Timer Offset in PCA Clocks

The WDT reset is generated when PCA0L overflows while there is a match between PCA0CPH2 and PCA0H. Software may force a WDT reset by writing a '1' to the CCF2 flag (PCA0CN.2) while the WDT is enabled.

16.3.2. Watchdog Timer Usage

To configure the WDT, perform the following tasks:

- Disable the WDT by writing a '0' to the WDTE bit.
- Select the desired PCA clock source (with the CPS2–CPS0 bits).
- Load PCA0CPL2 with the desired WDT update offset value.
- Configure the PCA Idle mode (set CIDL if the WDT should be suspended while the CPU is in Idle mode).
- Enable the WDT by setting the WDTE bit to '1'.
- Reload the WDT by writing any value to PCA0CPH2.

The PCA clock source and Idle mode select cannot be changed while the WDT is enabled. The Watchdog Timer is enabled by setting the WDTE or WDLCK bits in the PCA0MD register. When WDLCK is set, the WDT cannot be disabled until the next system reset. If WDLCK is not set, the WDT is disabled by clearing the WDTE bit.

The WDT is enabled following any reset. The PCA0 counter clock defaults to the system clock divided by 12, PCA0L defaults to 0x00, and PCA0CPL2 defaults to 0x00. Using Equation 16.4, this results in a WDT timeout interval of 3072 system clock cycles. Table 16.3 lists some example timeout intervals for typical system clocks, assuming SYSCLK / 12 as the PCA clock source.

Table 16.3. Watchdog Timer Timeout Intervals¹

| System Clock (Hz) | PCA0CPL2 | Timeout Interval (ms) |
|------------------------|----------|-----------------------|
| 24,500,000 | 255 | 32.1 |
| 24,500,000 | 128 | 16.2 |
| 24,500,000 | 32 | 4.1 |
| 18,432,000 | 255 | 42.7 |
| 18,432,000 | 128 | 21.5 |
| 18,432,000 | 32 | 5.5 |
| 11,059,200 | 255 | 71.1 |
| 11,059,200 | 128 | 35.8 |
| 11,059,200 | 32 | 9.2 |
| 3,062,500 ² | 255 | 257 |
| 3,062,500 ² | 128 | 129.5 |
| 3,062,500 ² | 32 | 33.1 |
| 32,000 | 255 | 24576 |
| 32,000 | 128 | 12384 |
| 32,000 | 32 | 3168 |

Notes:

1. Assumes SYSCLK / 12 as the PCA clock source, and a PCA0L value of 0x00 at the update time.
2. Internal oscillator reset frequency for devices with a calibrated internal oscillator. The reset system clock for devices with an uncalibrated internal oscillator will vary.

16.4. Register Descriptions for PCA

Following are detailed descriptions of the special function registers related to the operation of the PCA.

SFR Definition 16.1. PCA0CN: PCA Control

| R/W | R/W | R/W | R/W | R/W | R/W | R/W | R/W | Reset Value |
|------|------|------|------|------|------|------|------|--|
| CF | CR | — | — | — | CCF2 | CCF1 | CCF0 | 00000000 |
| Bit7 | Bit6 | Bit5 | Bit4 | Bit3 | Bit2 | Bit1 | Bit0 | SFR Address: (bit addressable) 0xD8 |

Bit7: CF: PCA Counter/Timer Overflow Flag.
Set by hardware when the PCA Counter/Timer overflows from 0xFFFF to 0x0000. When the Counter/Timer Overflow (CF) interrupt is enabled, setting this bit causes the CPU to vector to the PCA interrupt service routine. This bit is not automatically cleared by hardware and must be cleared by software.

Bit6: CR: PCA Counter/Timer Run Control.
This bit enables/disables the PCA Counter/Timer.
0: PCA Counter/Timer disabled.
1: PCA Counter/Timer enabled.

Bits5–3: UNUSED. Read = 000b, Write = don't care.

Bit2: CCF2: PCA Module 2 Capture/Compare Flag.
This bit is set by hardware when a match or capture occurs. When the CCF2 interrupt is enabled, setting this bit causes the CPU to vector to the PCA interrupt service routine. This bit is not automatically cleared by hardware and must be cleared by software.

Bit1: CCF1: PCA Module 1 Capture/Compare Flag.
This bit is set by hardware when a match or capture occurs. When the CCF1 interrupt is enabled, setting this bit causes the CPU to vector to the PCA interrupt service routine. This bit is not automatically cleared by hardware and must be cleared by software.

Bit0: CCF0: PCA Module 0 Capture/Compare Flag.
This bit is set by hardware when a match or capture occurs. When the CCF0 interrupt is enabled, setting this bit causes the CPU to vector to the PCA interrupt service routine. This bit is not automatically cleared by hardware and must be cleared by software.

C8051F300/1/2/3/4/5

SFR Definition 16.2. PCA0MD: PCA Mode

| | | | | | | | | |
|------|------|-------|------|------|------|------|------|----------------------|
| R/W | R/W | R/W | R/W | R/W | R/W | R/W | R/W | Reset Value |
| CIDL | WDTE | WDLCK | — | CPS2 | CPS1 | CPS0 | ECF | 01000000 |
| Bit7 | Bit6 | Bit5 | Bit4 | Bit3 | Bit2 | Bit1 | Bit0 | SFR Address: 0xD9 |

- Bit7: CIDL: PCA Counter/Timer Idle Control.
Specifies PCA behavior when CPU is in Idle Mode.
0: PCA continues to function normally while the system controller is in Idle Mode.
1: PCA operation is suspended while the system controller is in Idle Mode.
- Bit6: WDTE: Watchdog Timer Enable
If this bit is set, PCA Module 2 is used as the Watchdog Timer.
0: Watchdog Timer disabled.
1: PCA Module 2 enabled as Watchdog Timer.
- Bit5: WDLCK: Watchdog Timer Lock
This bit locks/unlocks the Watchdog Timer Enable. When WDLCK is set, the Watchdog Timer may not be disabled until the next system reset.
0: Watchdog Timer Enable unlocked.
1: Watchdog Timer Enable locked.
- Bit4: UNUSED. Read = 0b, Write = don't care.
- Bits3–1: CPS2–CPS0: PCA Counter/Timer Pulse Select.
These bits select the clock source for the PCA counter

| CPS2 | CPS1 | CPS0 | Timebase |
|------|------|------|---|
| 0 | 0 | 0 | System clock divided by 12 |
| 0 | 0 | 1 | System clock divided by 4 |
| 0 | 1 | 0 | Timer 0 overflow |
| 0 | 1 | 1 | High-to-low transitions on ECI (max rate = system clock divided by 4) |
| 1 | 0 | 0 | System clock |
| 1 | 0 | 1 | External clock divided by 8* |
| 1 | 1 | 0 | Reserved |
| 1 | 1 | 1 | Reserved |

*Note: External oscillator source divided by 8 is synchronized with the system clock.

- Bit0: ECF: PCA Counter/Timer Overflow Interrupt Enable.
This bit sets the masking of the PCA Counter/Timer Overflow (CF) interrupt.
0: Disable the CF interrupt.
1: Enable a PCA Counter/Timer Overflow interrupt when CF (PCA0CN.7) is set.

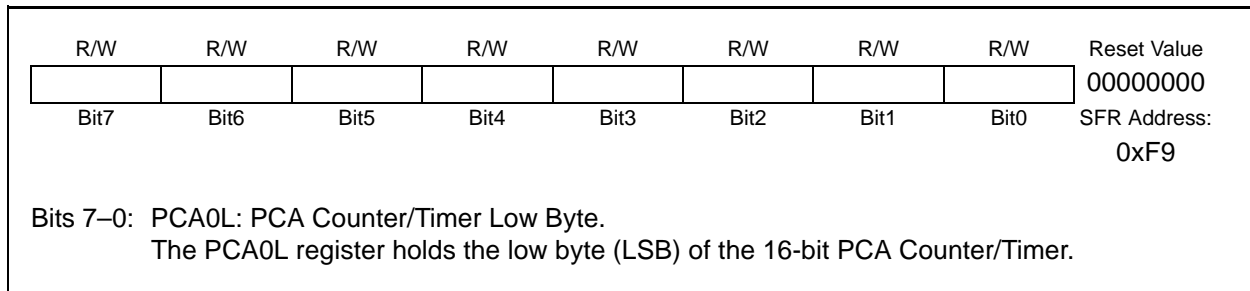
Note: When the WDTE bit is set to '1', the PCA0MD register cannot be modified. To change the contents of the PCA0MD register, the Watchdog Timer must first be disabled.

SFR Definition 16.3. PCA0CPMn: PCA Capture/Compare Mode

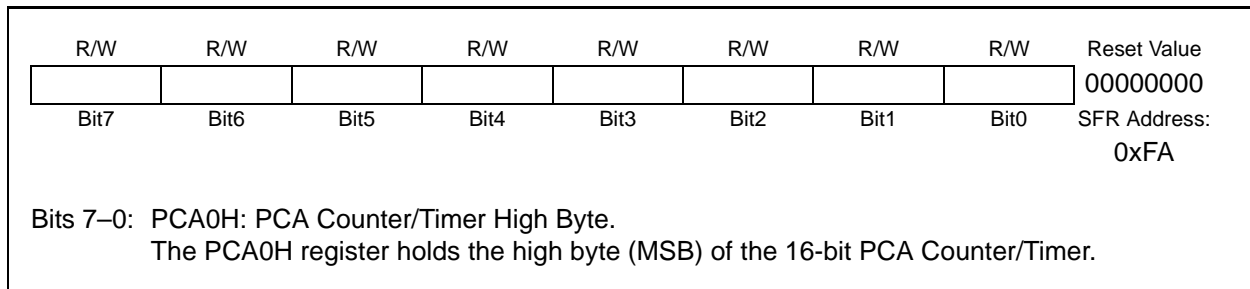
| | R/W | R/W | R/W | R/W | R/W | R/W | R/W | | |
|---|--|-------|-------|-------|------|------|------|-------|----------------------------------|
| | PWM16n | ECOMn | CAPPn | CAPNn | MATn | TOGn | PWMn | ECCFn | Reset Value 00000000 |
| | Bit7 | Bit6 | Bit5 | Bit4 | Bit3 | Bit2 | Bit1 | Bit0 | SFR Address: 0xDA, 0xDB, 0xDC |
| <p>PCA0CPMn Address: PCA0CPM0 = 0xDA (n = 0) PCA0CPM1 = 0xDB (n = 1) PCA0CPM2 = 0xDC (n = 2)</p> | | | | | | | | | |
| Bit7: | <p>PWM16n: 16-bit Pulse Width Modulation Enable. This bit selects 16-bit mode when Pulse Width Modulation mode is enabled (PWMn = 1). 0: 8-bit PWM selected. 1: 16-bit PWM selected.</p> | | | | | | | | |
| Bit6: | <p>ECOMn: Comparator Function Enable. This bit enables/disables the comparator function for PCA Module n. 0: Disabled. 1: Enabled.</p> | | | | | | | | |
| Bit5: | <p>CAPPn: Capture Positive Function Enable. This bit enables/disables the positive edge capture for PCA Module n. 0: Disabled. 1: Enabled.</p> | | | | | | | | |
| Bit4: | <p>CAPNn: Capture Negative Function Enable. This bit enables/disables the negative edge capture for PCA Module n. 0: Disabled. 1: Enabled.</p> | | | | | | | | |
| Bit3: | <p>MATn: Match Function Enable. This bit enables/disables the match function for PCA Module n. When enabled, matches of the PCA counter with a module's capture/compare register cause the CCFn bit in PCA0MD register to be set to logic 1. 0: Disabled. 1: Enabled.</p> | | | | | | | | |
| Bit2: | <p>TOGn: Toggle Function Enable. This bit enables/disables the toggle function for PCA Module n. When enabled, matches of the PCA counter with a module's capture/compare register cause the logic level on the CEXn pin to toggle. If the PWMn bit is also set to logic 1, the module operates in Frequency Output Mode. 0: Disabled. 1: Enabled.</p> | | | | | | | | |
| Bit1: | <p>PWMn: Pulse Width Modulation Mode Enable. This bit enables/disables the PWM function for PCA Module n. When enabled, a pulse width modulated signal is output on the CEXn pin. 8-bit PWM is used if PWM16n is cleared; 16-bit mode is used if PWM16n is set to logic 1. If the TOGn bit is also set, the module operates in Frequency Output Mode. 0: Disabled. 1: Enabled.</p> | | | | | | | | |
| Bit0: | <p>ECCFn: Capture/Compare Flag Interrupt Enable. This bit sets the masking of the Capture/Compare Flag (CCFn) interrupt. 0: Disable CCFn interrupts. 1: Enable a Capture/Compare Flag interrupt request when CCFn is set.</p> | | | | | | | | |

C8051F300/1/2/3/4/5

SFR Definition 16.4. PCA0L: PCA Counter/Timer Low Byte



SFR Definition 16.5. PCA0H: PCA Counter/Timer High Byte



SFR Definition 16.6. PCA0CPLn: PCA Capture Module Low Byte

| | | | | | | | | |
|------|------|------|------|------|------|------|------|----------------------------------|
| R/W | R/W | R/W | R/W | R/W | R/W | R/W | R/W | Reset Value |
| | | | | | | | | 00000000 |
| Bit7 | Bit6 | Bit5 | Bit4 | Bit3 | Bit2 | Bit1 | Bit0 | SFR Address: 0xFB, 0xE9, 0xEB |

PCA0CPLn Address: PCA0CPL0 = 0xFB (n = 0)
 PCA0CPL1 = 0xE9 (n = 1)
 PCA0CPL2 = 0xEB (n = 2)

Bits7–0: PCA0CPLn: PCA Capture Module Low Byte.
 The PCA0CPLn register holds the low byte (LSB) of the 16-bit capture Module n.

SFR Definition 16.7. PCA0CPHn: PCA Capture Module High Byte

| | | | | | | | | |
|------|------|------|------|------|------|------|------|----------------------------------|
| R/W | R/W | R/W | R/W | R/W | R/W | R/W | R/W | Reset Value |
| | | | | | | | | 00000000 |
| Bit7 | Bit6 | Bit5 | Bit4 | Bit3 | Bit2 | Bit1 | Bit0 | SFR Address: 0xFC, 0xEA, 0xEC |

PCA0CPHn Address: PCA0CPH0 = 0xFC (n = 0)
 PCA0CPH1 = 0xEA (n = 1)
 PCA0CPH2 = 0xEC (n = 2)

Bits7–0: PCA0CPHn: PCA Capture Module High Byte.
 The PCA0CPHn register holds the high byte (MSB) of the 16-bit capture Module n.

C8051F300/1/2/3/4/5

NOTES:

17. C2 Interface

C8051F300/1/2/3/4/5 devices include an on-chip Silicon Labs 2-Wire (C2) debug interface to allow Flash programming and in-system debugging with the production part installed in the end application. The C2 interface operates using only two pins: a bi-directional data signal (C2D) and a clock input (C2CK). See the C2 Interface Specification for details on the C2 protocol.

17.1. C2 Interface Registers

The following describes the C2 registers necessary to perform Flash programming functions through the C2 interface. All C2 registers are accessed through the C2 interface as described in the C2 Interface Specification.

C2 Register Definition 17.1. C2ADD: C2 Address

| | | | | | | | | | |
|------|------|------|------|------|------|------|------|----------|-------------|
| | | | | | | | | | Reset Value |
| Bit7 | Bit6 | Bit5 | Bit4 | Bit3 | Bit2 | Bit1 | Bit0 | 00000000 | |

Bits7–0: The C2ADD register is accessed via the C2 interface to select the target Data register for C2 Data Read and Data Write commands.

| Address | Description |
|---------|--|
| 0x00 | Selects the Device ID register for Data Read instructions |
| 0x01 | Selects the Revision ID register for Data Read instructions |
| 0x02 | Selects the C2 Flash Programming Control register for Data Read/Write instructions |
| 0xB4 | Selects the C2 Flash Programming Data register for Data Read/Write instructions |
| 0x80 | Selects the Port0 register for Data Read/Write instructions |
| 0xF1 | Selects the Port0 Input Mode register for Data Read/Write instructions |
| 0xA4 | Selects the Port0 Output Mode register for Data Read/Write instructions |

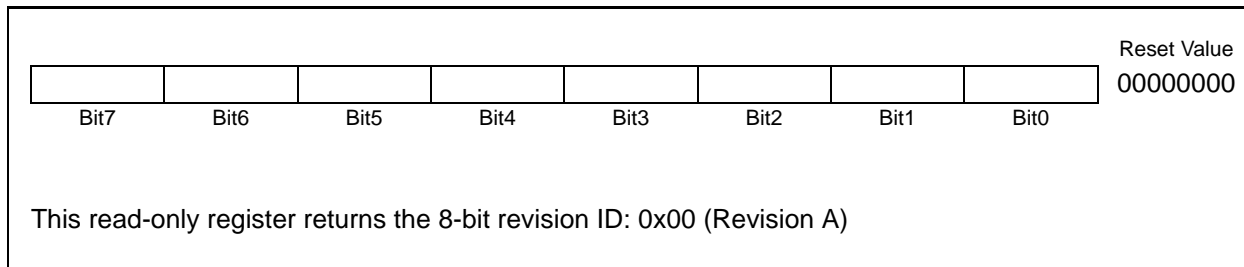
C2 Register Definition 17.2. DEVICEID: C2 Device ID

| | | | | | | | | | |
|------|------|------|------|------|------|------|------|----------|-------------|
| | | | | | | | | | Reset Value |
| Bit7 | Bit6 | Bit5 | Bit4 | Bit3 | Bit2 | Bit1 | Bit0 | 00000100 | |

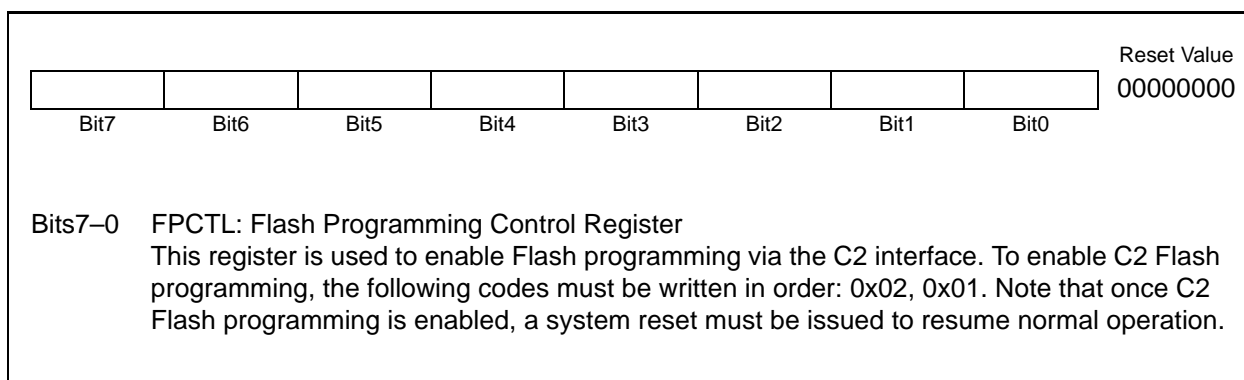
This read-only register returns the 8-bit device ID: 0x04 (C8051F300/1/2/3/4/5).

C8051F300/1/2/3/4/5

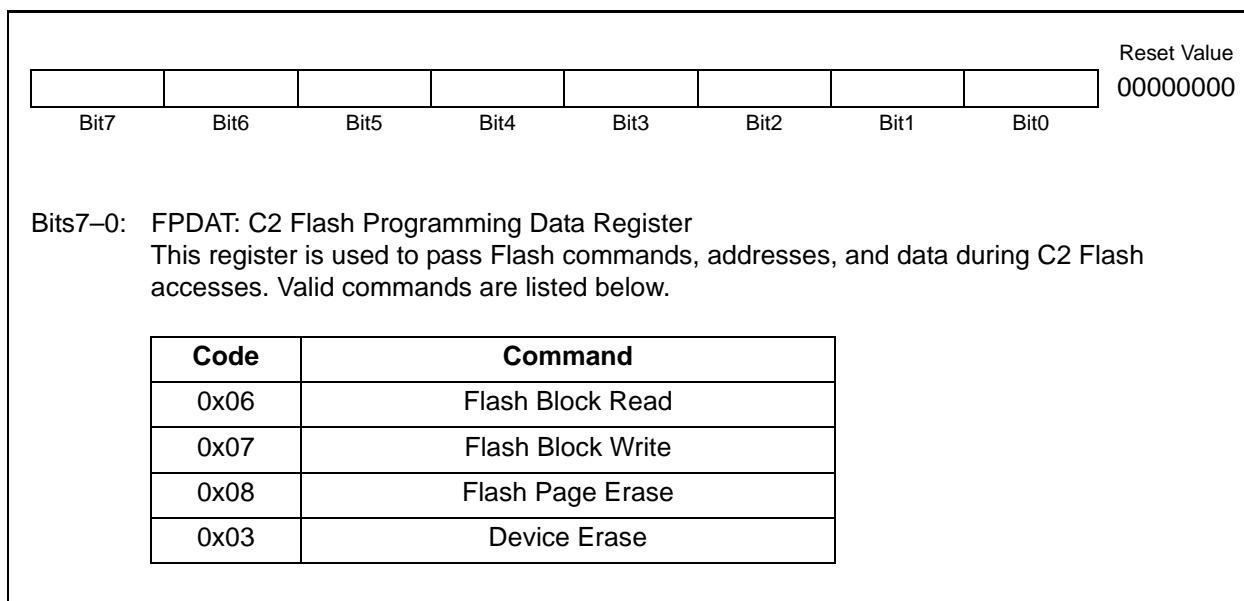
C2 Register Definition 17.3. REVID: C2 Revision ID



C2 Register Definition 17.4. FPCTL: C2 Flash Programming Control



C2 Register Definition 17.5. FPDAT: C2 Flash Programming Data



17.2. C2 Pin Sharing

The C2 protocol allows the C2 pins to be shared with user functions so that in-system debugging and Flash programming functions may be performed. This is possible because C2 communication is typically performed when the device is in the halt state, where all on-chip peripherals and user software are stalled. In this halted state, the C2 interface can safely 'borrow' the C2CK (normally \overline{RST}) and C2D (normally P0.7) pins. In most applications, external resistors are required to isolate C2 interface traffic from the user application. A typical isolation configuration is shown in Figure 17.1.

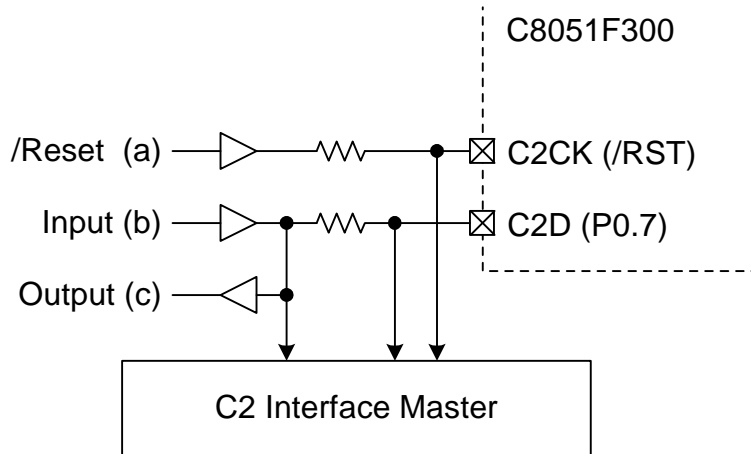


Figure 17.1. Typical C2 Pin Sharing

The configuration in Figure 17.1 assumes the following:

1. The user input (b) cannot change state while the target device is halted.
2. The RST pin on the target device is used as an input only.

Additional resistors may be necessary depending on the specific application.

DOCUMENT CHANGE LIST

Revision 2.3 to Revision 2.4

- Removed preliminary tag.
- Changed all references of MLP package to QFN package.
- Pinout chapter: Figure 4.3: Changed title to “Typical QFN-11 Solder Paste Mask.”
- ADC chapter: Added reference to minimum tracking time in the Tracking Modes section.
- Comparators chapter: SFR Definition 7.3, CPT0MD: Updated the register reset value and the CP0 response time table.
- CIP51 chapter: Updated IDLE mode and recommendations.
- CIP51 chapter: Updated Interrupt behavior and EA recommendations.
- CIP51 chapter: SFR Definition 8.4, PSW: Clarified OV flag description.
- CIP51 chapter: SFR Definition 8.8, IP register: Changed “default priority order” to “low priority” for low priority descriptions.
- Reset Sources chapter: Clarified description of VDD Ramp Time.
- Reset Sources chapter: Table 9.2, “Reset Electrical Characteristics”: Added VDD Ramp Time and changed “VDD POR Threshold” to “VDD Monitor Threshold.”
- FLASH Memory chapter: Clarified descriptions of FLASH security features.
- Oscillators chapter: Table 11.1 “Internal Oscillator Electrical Characteristics”: Added Calibrated Internal Oscillator specification over a smaller temperature range.
- Oscillators chapter: Clarified external crystal initialization steps and added a specific 32.768 kHz crystal example.
- Oscillators chapter: Clarified external capacitor example.
- SMBus chapter: Figure 14.5, SMB0CF register: Added a description of the behavior of Timer 3 in split mode if SMBTOE is set.
- Timers chapter: Changed references to “TL2” and “TH2” to “TMR2L” and “TMR2H,” respectively.

Revision 2.4 to Revision 2.5

- Fixed variables and applied formatting changes.

Revision 2.5 to Revision 2.6

- Updated Table 1.1 Product Selection Guide to include Lead-free information.

Revision 2.6 to Revision 2.7

- Removed non-RoHS compliant devices from Table 1.1, “Product Selection Guide,” on page 14.
- Added MIN and MAX specifications for ADC Offset Error and ADC Full Scale Error to Table 5.1, “ADC0 Electrical Characteristics,” on page 47.
- Improved power supply specifications in Table 3.1, “Global Electrical Characteristics,” on page 25.
- Added [Section “10.4. Flash Write and Erase Guidelines” on page 94.](#)
- Fixed minor typographical errors throughout.

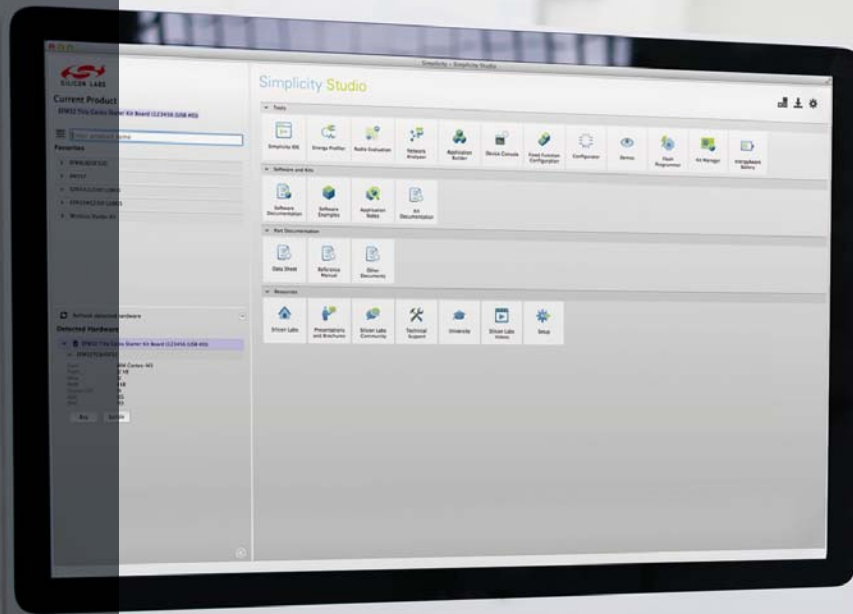
Revision 2.7 to Revision 2.8

- Updated block diagram on page 1.

Revision 2.8 to Revision 2.9

- Updated QFN package drawings and notes.
- Added SOIC-14 package information.
- Added text to CPT0CN's SFR definition to indicate that the SFR is bit addressable.
- Changed SMBus maximum transfer speed from 1/10th system clock to 1/20th system clock in SMBus section.
- Added information pertaining to Slave Receiver and Slave Transmitter states in Table 13.4.
- Changed Table 5.1 and Figure 5.4 to indicate that 11 SAR clocks are needed for a SAR conversion to complete.
- Changed SCON0s SFR definition to show that SCON0 bit 6 always resets to a value of 1.

NOTES:



Simplicity Studio

One-click access to MCU and wireless tools, documentation, software, source code libraries & more. Available for Windows, Mac and Linux!



IoT Portfolio
www.silabs.com/IoT



SW/HW
www.silabs.com/simplicity



Quality
www.silabs.com/quality



Support and Community
community.silabs.com

Disclaimer

Silicon Laboratories intends to provide customers with the latest, accurate, and in-depth documentation of all peripherals and modules available for system and software implementers using or intending to use the Silicon Laboratories products. Characterization data, available modules and peripherals, memory sizes and memory addresses refer to each specific device, and "Typical" parameters provided can and do vary in different applications. Application examples described herein are for illustrative purposes only. Silicon Laboratories reserves the right to make changes without further notice and limitation to product information, specifications, and descriptions herein, and does not give warranties as to the accuracy or completeness of the included information. Silicon Laboratories shall have no liability for the consequences of use of the information supplied herein. This document does not imply or express copyright licenses granted hereunder to design or fabricate any integrated circuits. The products must not be used within any Life Support System without the specific written consent of Silicon Laboratories. A "Life Support System" is any product or system intended to support or sustain life and/or health, which, if it fails, can be reasonably expected to result in significant personal injury or death. Silicon Laboratories products are generally not intended for military applications. Silicon Laboratories products shall under no circumstances be used in weapons of mass destruction including (but not limited to) nuclear, biological or chemical weapons, or missiles capable of delivering such weapons.

Trademark Information

Silicon Laboratories Inc., Silicon Laboratories, Silicon Labs, SiLabs and the Silicon Labs logo, CMEMS®, EFM, EFM32, EFR, Energy Micro, Energy Micro logo and combinations thereof, "the world's most energy friendly microcontrollers", Ember®, EZLink®, EZMac®, EZRadio®, EZRadioPRO®, DSPLL®, ISOModem®, Precision32®, ProSLIC®, SiPHY®, USBXpress® and others are trademarks or registered trademarks of Silicon Laboratories Inc. ARM, CORTEX, Cortex-M3 and THUMB are trademarks or registered trademarks of ARM Holdings. Keil is a registered trademark of ARM Limited. All other products or brand names mentioned herein are trademarks of their respective holders.





SILICON LABS

Silicon Laboratories Inc.
 400 West Cesar Chavez
 Austin, TX 78701
 USA







<http://www.silabs.com>

Looking for pricing, stock, or lifecycle information?

Click below to explore more details on WIN SOURCE:

-  [View C8051F303-GM](#) on WIN SOURCE
-  [Silicon Labs](#) Information

Optimize Your Supply Chain with WIN SOURCE Solutions

-  Global Sourcing Solution
-  Obsolete Management
-  Cost Control Management
-  Shortage Management
-  Alternative Solution
-  Excess Inventory Management