



**THE DATASHEET OF  
V3L-3339**



**MICRO SWITCH**  
a Honeywell Division

FED. MFG. CODE 91929

**SWITCH - BASIC**

CATALOG LISTING  
**V3L-3339**

**CQ-X2868**

V3L-3339

CATALOG LISTING

**M**

ISSUE  
**2**

REPLACES X91253-V3L

RELEASE NO. PR-19362

CHECK

REVISIONS

A	CD-76298
JAK	11 NOV 93

CHECK

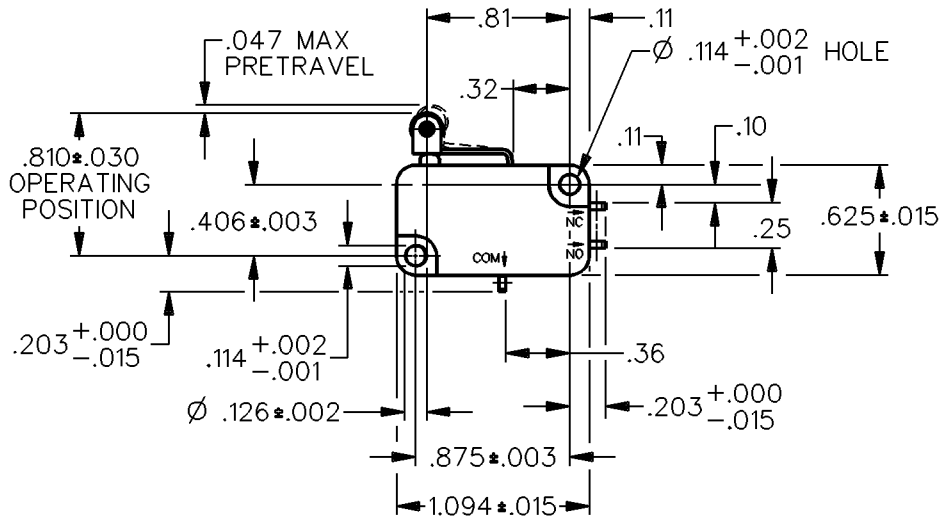
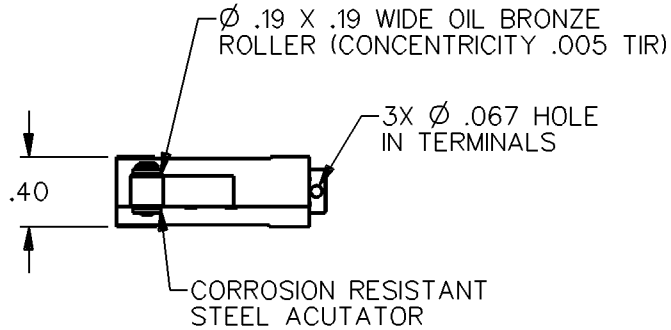
18 MAR 92

D C S

CHECK

J A L 9 MAR 92

DDM/CAD  
DRAWN



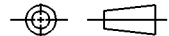
NOTES

- 1 - TERMINALS ARE SILVER PLATED FOR SOLDERING
- 2 - SWITCH MATERIAL WILL WITHSTAND TEMPERATURE OF 300°F
- 3 - HOLE IN TERMINALS MAY BREAK OUT

ANSI Y14.5M-1982 APPLIES

THIS DRAWING COVERS A PROPRIETARY ITEM AND IS THE PROPERTY OF MICRO SWITCH, A DIVISION OF HONEYWELL. THIS DRAWING IS NOT TO BE COPIED OR USED WITHOUT THE APPROVAL OF MICRO SWITCH.

THIRD ANGLE PROJECTION



CHARACTERISTICS

OPERATING FORCE --- 150 GRAMS MAX  
 RELEASE FORCE --- 15 GRAMS MIN  
 DIFFERENTIAL TRAVEL --- .002-.010  
 OVERTRAVEL --- .040 MIN  
 RELEASE TRAVEL --- .007 MIN

ELECTRICAL DATA

CONTACT ARRANGEMENT  
 S P D T  
 L83 15.1A 1/2HP 125, 250 VAC  
 1/2A 125 VDC, 1/4A 250 VDC  
 5A 125 VAC "L"

SCALE FULL

DO NOT SCALE PRINT

**UNLESS OTHERWISE SPECIFIED TOLERANCES ARE**

ONE PLACE (.0)	$\pm .030$
TWO PLACE (.00)	$\pm .015$
THREE PLACE (.000)	$\pm .005$



ANGLES  $\pm$

WEIGHT




## Looking for pricing, stock, or lifecycle information?

Click below to explore more details on WIN SOURCE:

-  [View V3L-3339 on WIN SOURCE](#)
-  [Honeywell Information](#)

## Optimize Your Supply Chain with WIN SOURCE Solutions

-  Global Sourcing Solution
-  Obsolete Management
-  Cost Control Management
-  Shortage Management
-  Alternative Solution
-  Excess Inventory Management