



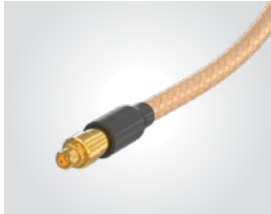
**THE DATASHEET OF  
MMCX-P-C-H-RA-CA2**



# 50 Ω MMCX TO 6 GHz

## MMCX Cable Assemblies

RF174, RF178, RF316, RS316



SERIES	END 1 CONNECTOR	END 2 CONNECTOR	OVERALL LENGTH
<b>RF174</b> = RG 174 Cable	<b>-03SP1</b> = MMCX Straight Plug		<b>-“XXXX”</b> = Overall Length in millimeters -0100 (100 mm) 3.94" minimum
<b>RF178</b> = RG 178 Cable (-03SP1 & -03RP1 only)	<b>-03RP1</b> = MMCX Right-angle Plug		
<b>RF316</b> = RG 316 Cable, Single Braid Shield	<b>-V3SP1</b> = MMCXV Straight Plug, High Vibration		
<b>RS316</b> = RG 316 Cable, Double Shielded (-03SP1 only)	<b>-V3RP1</b> = MMCXV Right-angle Plug, High Vibration		
		<b>-V3SJ1</b> = MMCXV Straight Jack, High Vibration	

### ALSO AVAILABLE

50 Ω: MCX, SMA, SMB, BNC, TNC, N Type = RF174, RF178, RF316  
50 Ω: MCX, SMA, BNC, TNC = RS316

## MMCX Board Connectors

MMCX-SM, MMCX-TH, MMCX-MT, MMCX-EM

**Cable Mates:**  
RF174, RF178, RF316, RS316, GRF1H-C, IJ5H



MMCX	GENDER	TYPE	PLATING	ORIENTATION	TERMINATION
	<b>-J</b> = Jack	<b>-P</b> = PCB Mount	<b>-H</b> = 30 μm (0.76 μm) Gold center contact, 3 μm (0.08 μm) Gold outer contact	<b>-ST</b> = Straight <b>-RA</b> = Right-angle	<b>-TH1</b> = Through-hole <b>-MT1</b> = Mixed Technology (-ST only) <b>-SM1</b> = Surface Mount (-RA plug not available) <b>-EM1</b> = Edge Mount (-ST only)

**-ST-SM1 (Jack)**

**-RA-TH1 (Plug)**

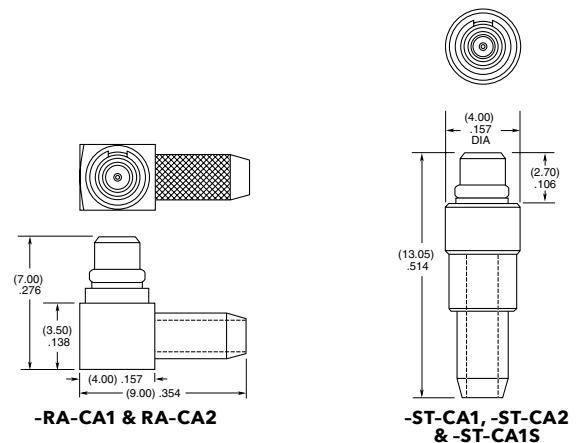
## MMCX Cable Connectors

MMCX-CA



CONNECTORS FOR INDUSTRY STANDARD CABLES	
MMCX-P-C-H-ST-CA1	RG 174/316 Cable
MMCX-P-C-H-ST-CA2	RG 178 Cable
MMCX-P-C-HF-ST-CA1S	RG 316 Double Shielded Cable
MMCX-P-C-H-RA-CA1	RG 174/316 Cable
MMCX-P-C-H-RA-CA2	RG 178 Cable

Add "-B" to the end of the part number for bulk packaging  
P-C = Cable Plug  
H or HF = Plating (30 μm Gold center contact, 3 μm Gold outer contact)  
ST = Straight  
RA = Right-angle



Supplied with pins and ferrules.  
See website for dimensions.

## Looking for pricing, stock, or lifecycle information?

Click below to explore more details on WIN SOURCE:

- ⊖ [View MMCX-P-C-H-RA-CA2 on WIN SOURCE](#)
- ⊖ [Samtec Inc. Information](#)

## Optimize Your Supply Chain with WIN SOURCE Solutions

- ✓ Global Sourcing Solution
- ✓ Obsolete Management
- ✓ Cost Control Management
- ✓ Shortage Management
- ✓ Alternative Solution
- ✓ Excess Inventory Management