



# THE DATASHEET OF DG445DVZ



DG444, DG445

Monolithic, Quad SPST, CMOS Analog Switches

FN3586  
Rev 10.00  
Jun 4, 2007

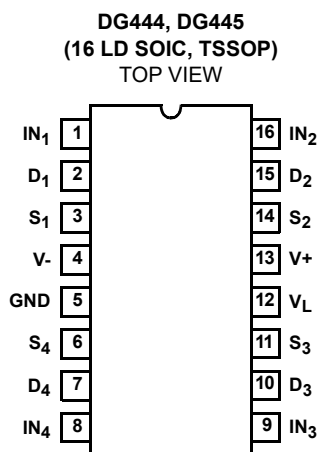
The DG444 and DG445 monolithic CMOS analog switches are drop-in replacements for the popular DG211 and DG212 series devices. They include four independent single pole single throw (SPST) analog switches and TTL and CMOS compatible digital inputs.

These switches feature lower analog ON resistance (<85Ω) and faster switch time ( $t_{ON}$  <250ns) compared to the DG211 and DG212. Charge injection has been reduced, simplifying sample and hold applications.

The improvements in the DG444 series are made possible by using a high voltage silicon-gate process. An epitaxial layer prevents the latch-up associated with older CMOS technologies. The 44V maximum voltage range permits controlling ±20V signals when operating with ±20V power supplies.

The four switches are bilateral, equally matched for AC or bidirectional signals. The ON resistance variation with analog signals is quite low over a ±5V analog input range. The switches in the DG444 and DG445 are identical, differing only in the polarity of the selection logic.

**Pinout**



**Features**

- ON Resistance (Max) . . . . . 85Ω
- Low Power Consumption (P<sub>D</sub>) . . . . . <35μW
- Fast Switching Action
  - $t_{ON}$  (Max) . . . . . 250ns
  - $t_{OFF}$  (Max, DG444) . . . . . 140ns
- Low Charge Injection
- Upgrade from DG211, DG212
- TTL, CMOS Compatible
- Single or Split Supply Operation
- Pb-Free Plus Anneal Available (RoHS Compliant)

**Applications**

- Audio Switching
- Battery Operated Systems
- Data Acquisition
- Hi-Rel Systems
- Sample and Hold Circuits
- Communication Systems
- Automatic Test Equipment

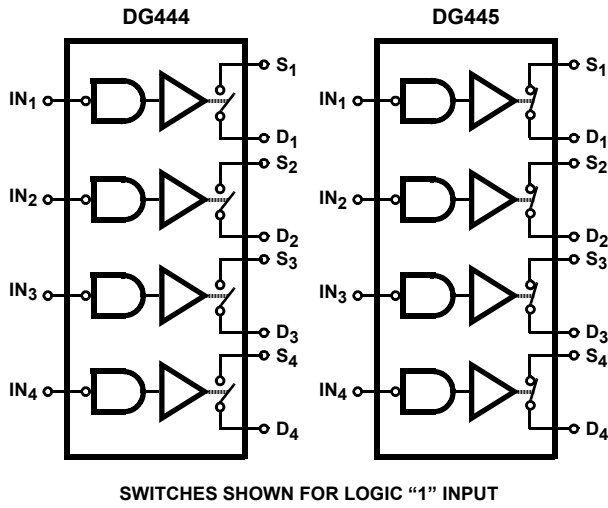
**Ordering Information**

| PART NUMBER      | PART MARKING | TEMP. RANGE (°C) | PACKAGE               | PKG. DWG. # |
|------------------|--------------|------------------|-----------------------|-------------|
| DG444DY*         | DG444DY      | -40 to +85       | 16 Ld SOIC            | M16.15      |
| DG444DYZ* (Note) | DG444DYZ     | -40 to +85       | 16 Ld SOIC (Pb-free)  | M16.15      |
| DG444DVZ* (Note) | DG444DVZ     | -40 to +85       | 16 Ld TSSOP (Pb-free) | M16.173     |
| DG445DY*         | DG445DY      | -40 to +85       | 16 Ld SOIC            | M16.15      |
| DG445DYZ* (Note) | DG445DYZ     | -40 to +85       | 16 Ld SOIC (Pb-free)  | M16.15      |
| DG445DVZ* (Note) | DG445DVZ     | -40 to +85       | 16 Ld TSSOP (Pb-free) | M16.173     |

\*Add "-T" suffix for tape and reel.

NOTE: Intersil Pb-free plus anneal products employ special Pb-free material sets; molding compounds/die attach materials and 100% matte tin plate termination finish, which are RoHS compliant and compatible with both SnPb and Pb-free soldering operations. Intersil Pb-free products are MSL classified at Pb-free peak reflow temperatures that meet or exceed the Pb-free requirements of IPC/JEDEC J STD-020.

### Functional Diagrams



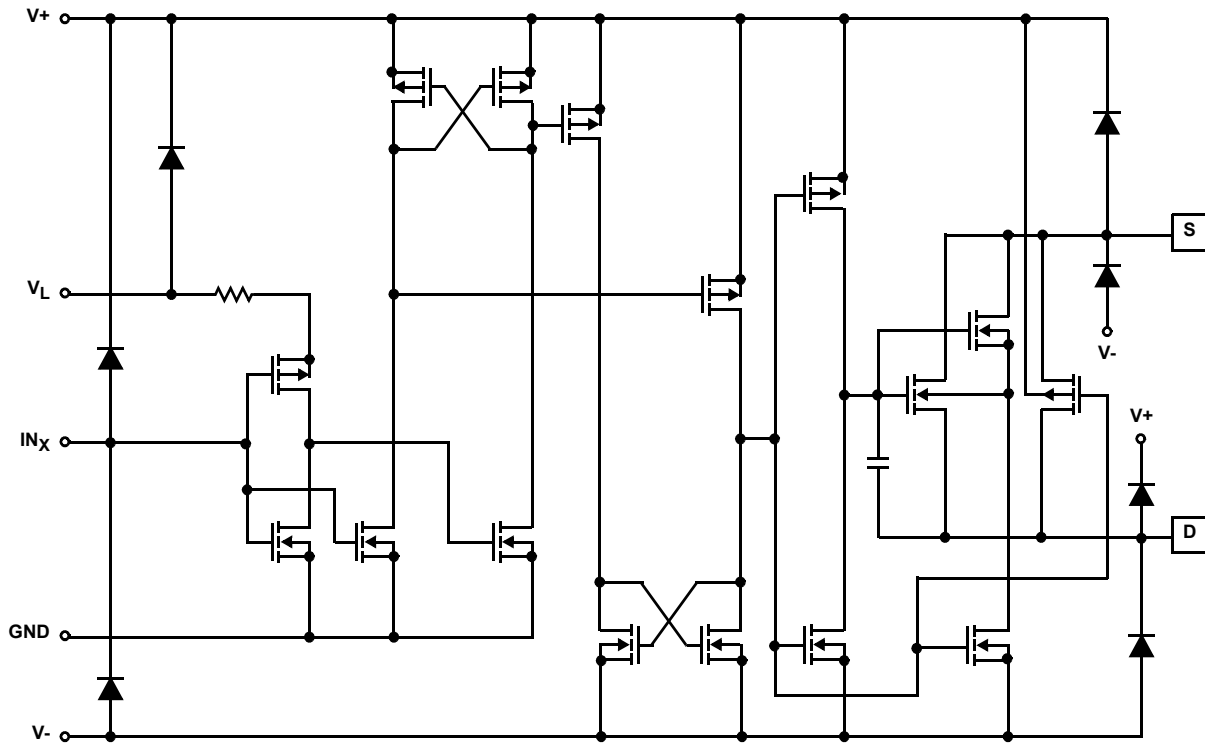
TRUTH TABLE

| LOGIC | V <sub>IN</sub> | DG444 | DG445 |
|-------|-----------------|-------|-------|
| 0     | ≤0.8V           | ON    | OFF   |
| 1     | ≥2.4V           | OFF   | ON    |

### Pin Descriptions

| PIN | SYMBOL          | DESCRIPTION                                |
|-----|-----------------|--|
| 1   | IN <sub>1</sub> | Logic Control for Switch 1                 |
| 2   | D <sub>1</sub>  | Drain (Output) Terminal for Switch 1       |
| 3   | S <sub>1</sub>  | Source (Input) Terminal for Switch 1       |
| 4   | V <sub>-</sub>  | Negative Power Supply Terminal             |
| 5   | GND             | Ground Terminal (Logic Common)             |
| 6   | S <sub>4</sub>  | Source (Input) Terminal for Switch 4       |
| 7   | D <sub>4</sub>  | Drain (Output) Terminal for Switch 4       |
| 8   | IN <sub>4</sub> | Logic Control for Switch 4                 |
| 9   | IN <sub>3</sub> | Logic Control for Switch 3                 |
| 10  | D <sub>3</sub>  | Drain (Output) Terminal for Switch 3       |
| 11  | S <sub>3</sub>  | Source (Input) Terminal for Switch 3       |
| 12  | V <sub>L</sub>  | Logic Reference Voltage                    |
| 13  | V <sub>+</sub>  | Positive Power Supply Terminal (Substrate) |
| 14  | S <sub>2</sub>  | Source (Input) Terminal for Switch 2       |
| 15  | D <sub>2</sub>  | Drain (Output) Terminal for Switch 2       |
| 16  | IN <sub>2</sub> | Logic Control for Switch 2                 |

### Schematic Diagram (One Channel)



**Absolute Maximum Ratings**

|  |   |
|--|---|
| V+ to V-   | 44V   |
| GND to V-  | 25V   |
| V <sub>L</sub>   | (GND - 0.3V) to (V+) + 0.3V                           |
| Digital Inputs, V <sub>S</sub> , V <sub>D</sub> (Note 1) | (V-) -2V to (V+) + 2V or 30mA, Whichever Occurs First |
| Continuous Current (Any Terminal)                        | 30mA  |
| Peak Current, S or D (Pulsed 1ms, 10% Duty Cycle Max)    | 100mA   |

**Thermal Information**

|   |                      |
|---|----------------------|
| Thermal Resistance (Typical, Note 2)  | $\theta_{JA}$ (°C/W) |
| SOIC Package  | 115                  |
| TSSOP Package   | 150                  |
| Maximum Junction Temperature (Plastic Packages)   | +150°C               |
| Maximum Storage Temperature Range   | -65°C to +150°C      |
| Pb-free reflow profile  | see link below       |
| <a href="http://www.intersil.com/pbfree/Pb-FreeReflow.asp">http://www.intersil.com/pbfree/Pb-FreeReflow.asp</a> |                      |

**Operating Conditions**

|                          |                |
|--------------------------|----------------|
| Temperature Range        | -40°C to +85°C |
| Voltage Range            | ±20V (Max)     |
| Input Low Voltage        | 0.8V (Max)     |
| Input High Voltage       | 2.4V (Min)     |
| Input Rise and Fall Time | ≤20ns          |

*CAUTION: Stresses above those listed in "Absolute Maximum Ratings" may cause permanent damage to the device. This is a stress only rating and operation of the device at these or any other conditions above those indicated in the operational sections of this specification is not implied.*

**NOTES:**

1. Signals on S<sub>X</sub>, D<sub>X</sub>, or IN<sub>X</sub> exceeding V+ or V- will be clamped by internal diodes. Limit forward diode current to maximum current ratings.
2.  $\theta_{JA}$  is measured with the component mounted on a high effective thermal conductivity test board in free air. See Tech Brief TB379 for details.

**Electrical Specifications** Test Conditions: V+ = +15V, V- = -15V, V<sub>L</sub> = 5V, V<sub>IN</sub> = 2.4V, 0.8V (Note 3), Unless Otherwise Specified

| PARAMETER   | TEST CONDITIONS  | TEMP (°C) | (NOTE 4) MIN | (NOTE 5) TYP | (NOTE 4) MAX | UNITS    |
|---|--|-----------|--------------|--------------|--------------|----------|
| <b>DYNAMIC CHARACTERISTICS</b>                                  |  |           |              |              |              |          |
| Turn-ON Time, t <sub>ON</sub>                                   | R <sub>L</sub> = 1k $\Omega$ , C <sub>L</sub> = 35pF, V <sub>S</sub> = ±10V (Figure 1) | +25       | -            | 120          | 250          | ns       |
| Turn-OFF Time, t <sub>OFF</sub>                                 |  | +25       | -            | 110          | 140          | ns       |
| DG444   |  | +25       | -            | 160          | 210          | ns       |
| Charge Injection, Q (Figure 2)                                  | C <sub>L</sub> = 1nF, V <sub>G</sub> = 0V, R <sub>G</sub> = 0 $\Omega$                 | +25       | -            | -1           | -            | pC       |
| OFF Isolation (Figure 4)  | R <sub>L</sub> = 50 $\Omega$ , C <sub>L</sub> = 5pF, f = 1MHz                          | +25       | -            | 60           | -            | dB       |
| Crosstalk (Channel-to-Channel) (Figure 3)                       |  | +25       | -            | -100         | -            | dB       |
| Source OFF Capacitance, C <sub>S(OFF)</sub>                     | f = 1MHz, V <sub>ANALOG</sub> = 0 (Figure 5)   | +25       | -            | 4            | -            | pF       |
| Drain OFF Capacitance, C <sub>D(OFF)</sub>                      |  | +25       | -            | 4            | -            | pF       |
| Channel ON Capacitance, C <sub>D(ON)</sub> + C <sub>S(ON)</sub> |  | +25       | -            | 16           | -            | pF       |
| <b>DIGITAL INPUT CHARACTERISTICS</b>                            |  |           |              |              |              |          |
| Input Current V <sub>IN</sub> Low, I <sub>IL</sub>              | V <sub>IN</sub> Under Test = 0.8V, All Others = 2.4V                                   | Full      | -0.5         | -0.00001     | 0.5          | $\mu$ A  |
| Input Current V <sub>IN</sub> High, I <sub>IH</sub>             | V <sub>IN</sub> Under Test = 2.4V, All Others = 0.8V                                   | Full      | -0.5         | 0.00001      | 0.5          | $\mu$ A  |
| <b>ANALOG SWITCH CHARACTERISTICS</b>                            |  |           |              |              |              |          |
| Analog Signal Range, V <sub>ANALOG</sub>                        |  | Full      | -15          | -            | 15           | V        |
| Drain-Source ON Resistance, r <sub>DS(ON)</sub>                 | I <sub>S</sub> = $\mp$ 10mA, V <sub>D</sub> = ±8.5V, V+ = 13.5V, V- = -13.5V           | +25       | -            | 50           | 85           | $\Omega$ |
|   |  | Full      | -            | -            | 100          | $\Omega$ |
| Source OFF Leakage Current, I <sub>S(OFF)</sub>                 | V+ = 16.5V, V- = -16.5V, V <sub>D</sub> = ±15.5V, V <sub>S</sub> = $\mp$ 15.5V         | +25       | -0.5         | 0.01         | 0.5          | nA       |
|   |  | +85       | -5           | -            | 5            | nA       |

**Electrical Specifications** Test Conditions:  $V_+ = +15V$ ,  $V_- = -15V$ ,  $V_L = 5V$ ,  $V_{IN} = 2.4V, 0.8V$  (Note 3),  
Unless Otherwise Specified **(Continued)**

| PARAMETER   | TEST CONDITIONS   | TEMP (°C) | (NOTE 4) MIN | (NOTE 5) TYP | (NOTE 4) MAX | UNITS   |
|---|---|-----------|--------------|--------------|--------------|---------|
| Drain OFF Leakage Current, $I_{D(OFF)}$             | $V_+ = 16.5V$ , $V_- = -16.5V$ ,<br>$V_D = \pm 15.5V$ , $V_S = \mp 15.5V$ | +25       | -0.5         | 0.01         | 0.5          | nA      |
|   |   | +85       | -5           | -            | 5            | nA      |
| Channel ON Leakage Current, $I_{D(ON)} + I_{S(ON)}$ | $V_+ = 16.5V$ , $V_- = -16.5V$ ,<br>$V_S = V_D = \pm 15.5V$               | +25       | -0.5         | 0.08         | 0.5          | nA      |
|   |   | +85       | -10          | -            | 10           | nA      |
| <b>POWER SUPPLY CHARACTERISTICS</b>                 |   |           |              |              |              |         |
| Positive Supply Current, $I_+$                      | $V_+ = 16.5V$ , $V_- = -16.5V$ ,<br>$V_{IN} = 0V$ or $5V$                 | +25       | -            | 0.001        | 1            | $\mu A$ |
|   |   | +85       | -            | -            | 5            | $\mu A$ |
| Negative Supply Current, $I_-$                      |   | +25       | -1           | -0.0001      | -            | $\mu A$ |
|   |   | +85       | -5           | -            | -            | $\mu A$ |
| Logic Supply Current, $I_L$                         |   | +25       | -            | 0.001        | 1            | $\mu A$ |
|   |   | +85       | -            | -            | 5            | $\mu A$ |
| Ground Current, $I_{GND}$                           |   | +25       | -1           | -0.001       | -            | $\mu A$ |
|   |   | +85       | -5           | -            | -            | $\mu A$ |

**Electrical Specifications** (Single Supply) Test Conditions:  $V_+ = 12V$ ,  $V_- = 0V$ ,  $V_L = 5V$ ,  $V_{IN} = 2.4V, 0.8V$  (Note 3),  
Unless Otherwise Specified

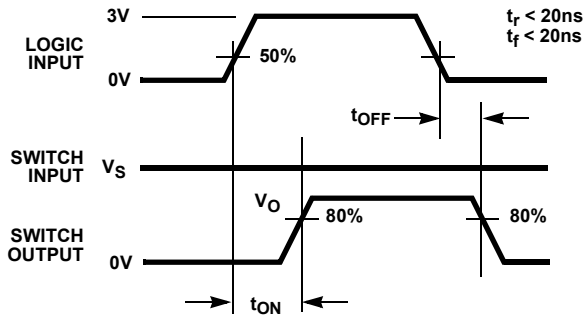
| PARAMETER                                | TEST CONDITIONS   | TEMP (°C) | (NOTE 4) MIN | (NOTE 5) TYP | (NOTE 4) MAX | UNITS    |
|--|---|-----------|--------------|--------------|--------------|----------|
| <b>DYNAMIC CHARACTERISTICS</b>           |   |           |              |              |              |          |
| Turn-ON Time, $t_{ON}$                   | $R_L = 1k\Omega$ , $C_L = 35pF$ , $V_S = 8V$<br>(Figure 1)      | +25       | -            | 300          | 450          | ns       |
| Turn-OFF Time, $t_{OFF}$                 |   | +25       | -            | 60           | 200          | ns       |
| Charge Injection, $Q$ (Figure 2)         | $C_L = 1nF$ , $V_G = 6V$ , $R_G = 0\Omega$                      | +25       | -            | 2            | -            | pC       |
| <b>ANALOG SWITCH CHARACTERISTICS</b>     |   |           |              |              |              |          |
| Analog Signal Range, $V_{ANALOG}$        |   | Full      | 0            | -            | 12           | V        |
| Drain-Source ON Resistance, $r_{DS(ON)}$ | $I_S = -10mA$ , $V_D = 3V, 8V$<br>$V_+ = 10.8V$ , $V_L = 5.25V$ | +25       | -            | 100          | 160          | $\Omega$ |
|  |   | Full      | -            | -            | 200          | $\Omega$ |
| <b>POWER SUPPLY CHARACTERISTICS</b>      |   |           |              |              |              |          |
| Positive Supply Current, $I_+$           | $V_+ = 13.2V$ , $V_{IN} = 0V$ or $5V$ ,<br>$V_L = 5.25V$        | +25       | -            | 0.001        | 1            | $\mu A$  |
|  |   | Full      | -            | -            | 5            | $\mu A$  |
| Negative Supply Current, $I_-$           |   | +25       | -1           | -0.0001      | -            | $\mu A$  |
|  |   | Full      | -5           | -            | -            | $\mu A$  |
| Logic Supply Current, $I_L$              |   | +25       | -            | 0.001        | 1            | $\mu A$  |
|  |   | Full      | -            | -            | 5            | $\mu A$  |
| Ground Current, $I_{GND}$                |   | +25       | -1           | -0.001       | -            | $\mu A$  |
|  |   | Full      | -5           | -            | -            | $\mu A$  |

## NOTES:

- $V_{IN}$  = input voltage to perform proper function.
- The algebraic convention whereby the most negative value is a minimum and the most positive a maximum, is used in this data sheet.
- Typical values are for DESIGN AID ONLY, not guaranteed nor subject to production testing.

### Test Circuits and Waveforms

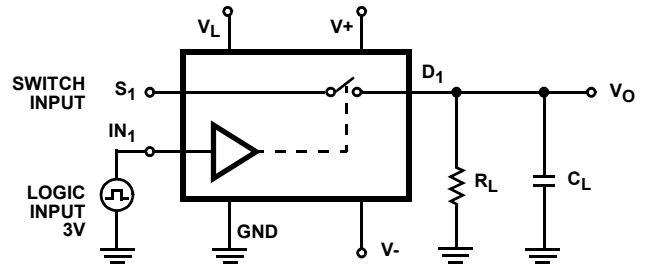
$V_O$  is the steady state output with the switch on. Feedthrough via switch capacitance may result in spikes at the leading and trailing edge of the output waveform.



NOTE: Logic input waveform is inverted for switches that have the opposite logic sense.

FIGURE 1A. MEASUREMENT POINTS

FIGURE 1. SWITCHING TIMES



Repeat test for Channels 2, 3 and 4. For load conditions, see Specifications.  $C_L$  includes fixture and stray capacitance.

$$V_O = V_S \frac{R_L}{R_L + r_{DS(ON)}}$$

FIGURE 1B. TEST CIRCUIT

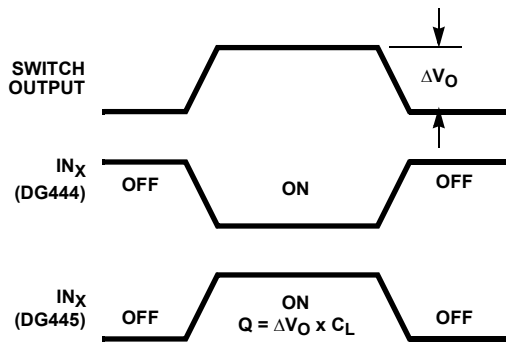


FIGURE 2A. MEASUREMENT POINTS

FIGURE 2. CHARGE INJECTION

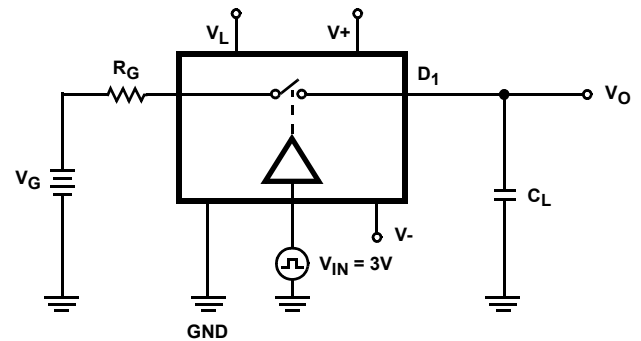


FIGURE 2B. TEST CIRCUIT

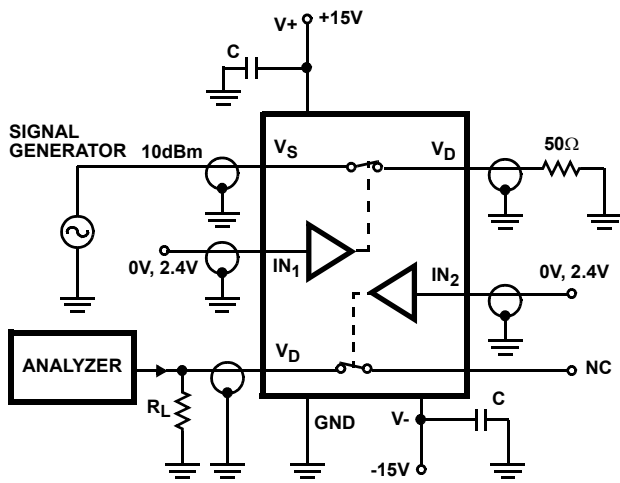


FIGURE 3. CROSSTALK TEST CIRCUIT

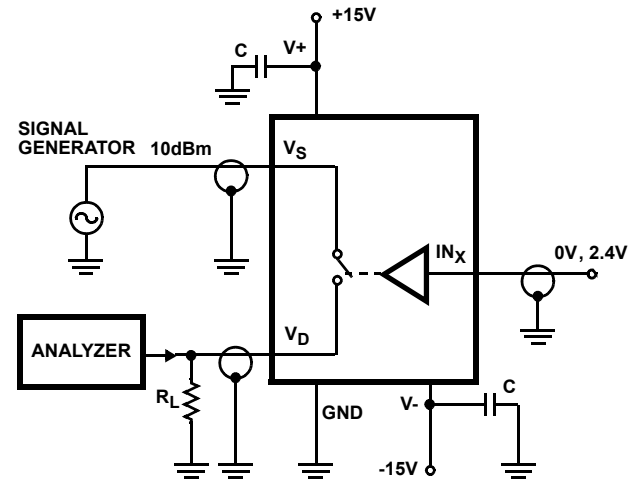


FIGURE 4. OFF ISOLATION TEST CIRCUIT

**Test Circuits and Waveforms** (Continued)

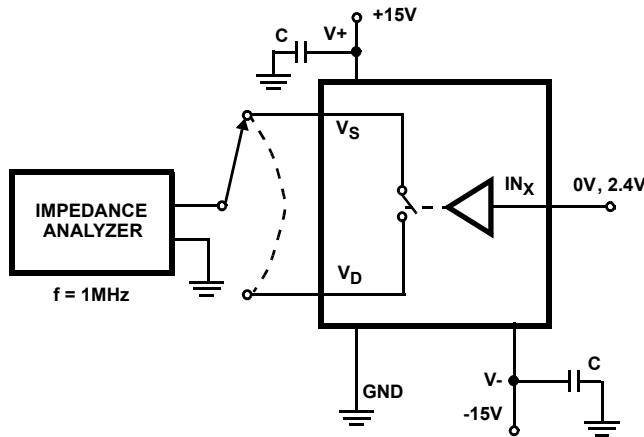
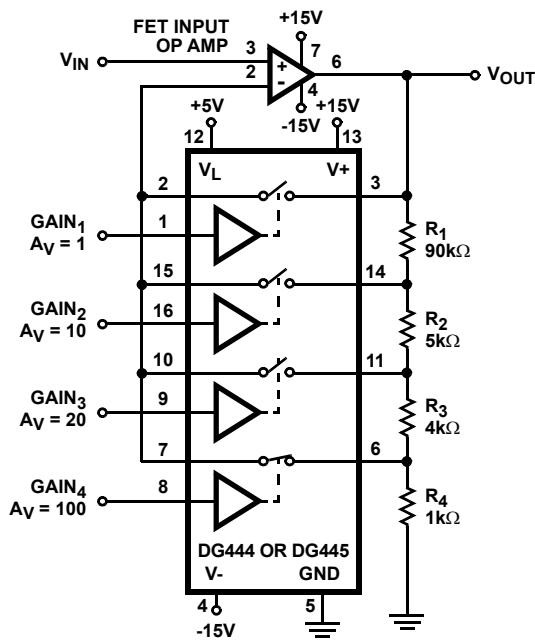


FIGURE 5. SOURCE/DRAIN CAPACITANCES TEST CIRCUIT

**Application Information**



GAIN ERROR IS DETERMINED ONLY BY THE RESISTOR TOLERANCE, OP AMP OFFSET AND CMRR WILL LIMIT ACCURACY OF CIRCUIT

$$\frac{V_{OUT}}{V_{IN}} = \frac{R_1 + R_2 + R_3 + R_4}{R_4} = 100$$

WITH SW<sub>4</sub> CLOSED

FIGURE 6. PRECISION WEIGHTED RESISTOR PROGRAMMABLE GAIN AMPLIFIER

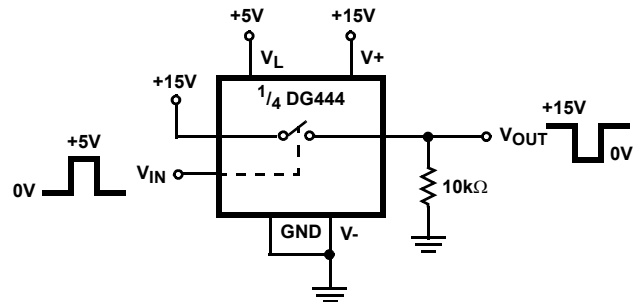


FIGURE 7. LEVEL SHIFTER

Typical Performance Curves

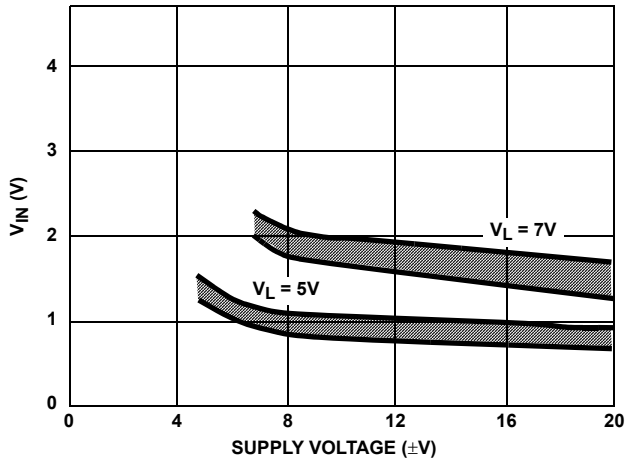


FIGURE 8. SWITCHING THRESHOLD vs SUPPLY VOLTAGE

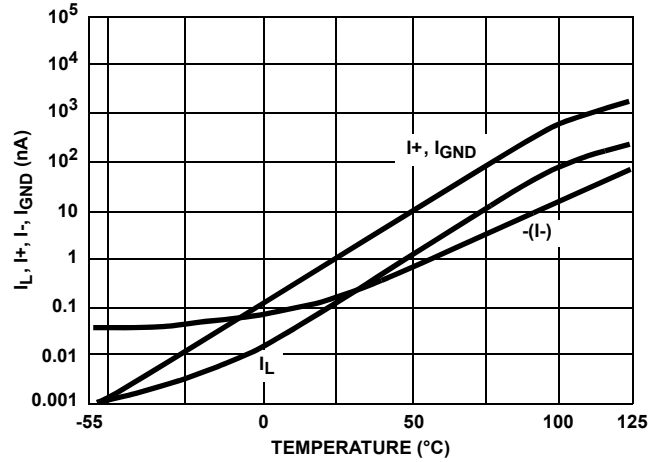


FIGURE 9. SUPPLY CURRENT vs TEMPERATURE

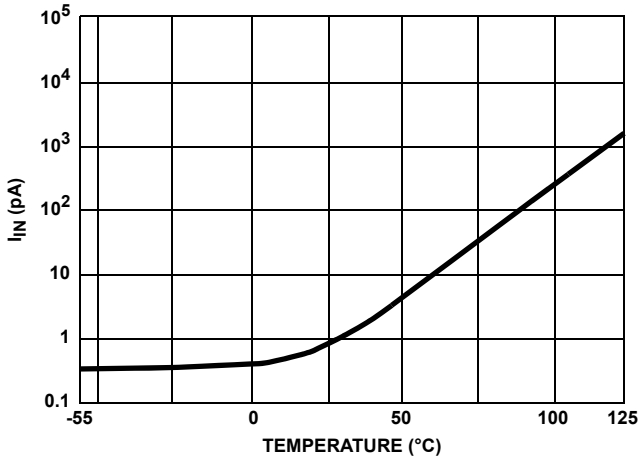


FIGURE 10. INPUT CURRENT vs TEMPERATURE

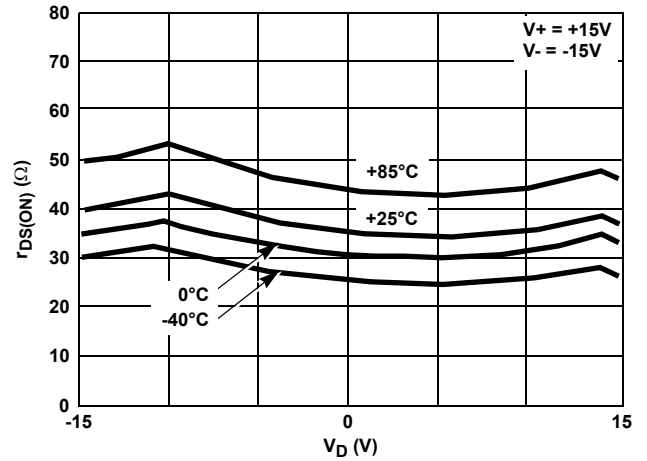


FIGURE 11.  $r_{DS(ON)}$  vs  $V_D$  AND TEMPERATURE

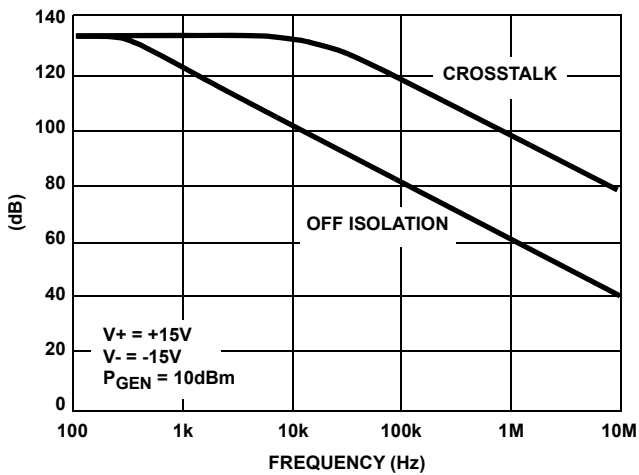


FIGURE 12. CROSSTALK REJECTION AND OFF ISOLATION vs FREQUENCY

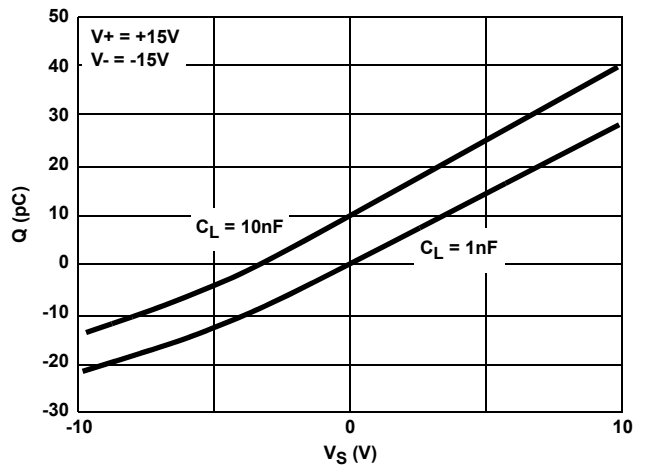


FIGURE 13. CHARGE INJECTION vs SOURCE VOLTAGE

**Typical Performance Curves** (Continued)

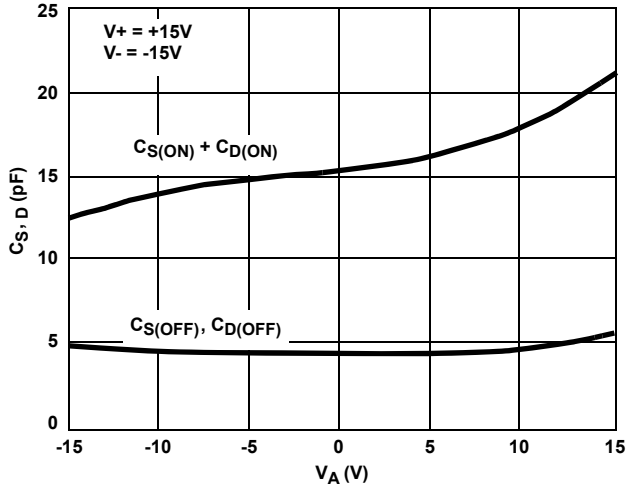


FIGURE 14. SOURCE/DRAIN CAPACITANCE vs ANALOG VOLTAGE

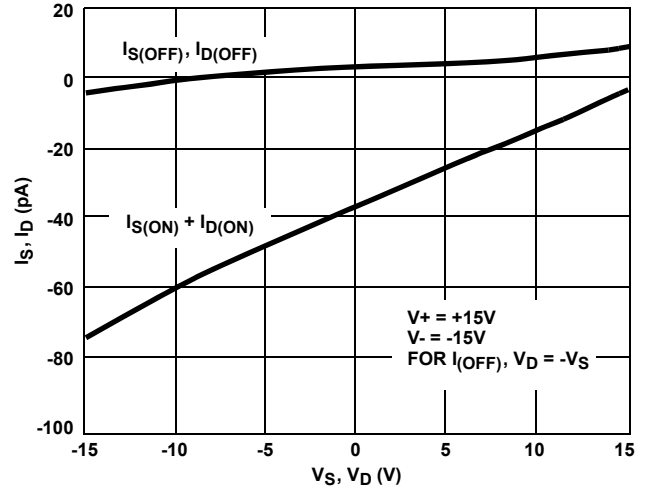


FIGURE 15. LEAKAGE CURRENTS vs ANALOG VOLTAGE

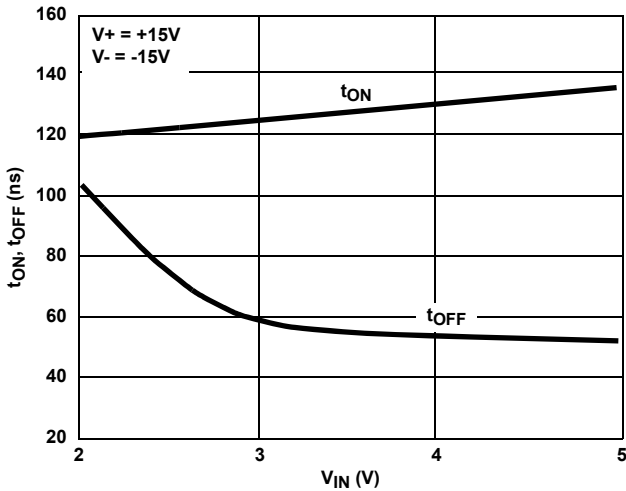


FIGURE 16. SWITCHING TIME vs INPUT VOLTAGE (DG444)

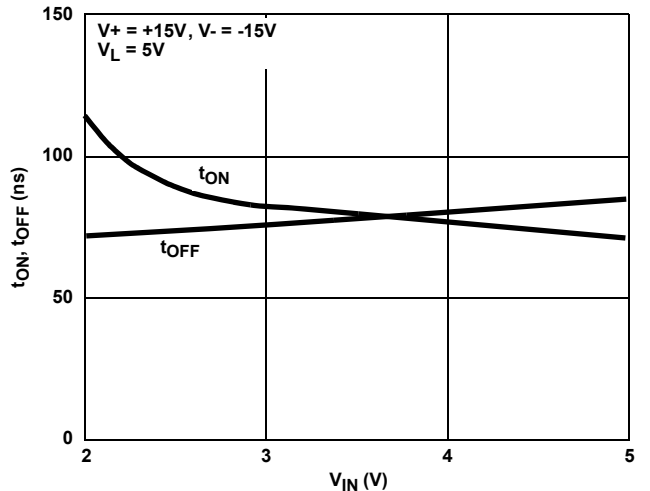


FIGURE 17. SWITCHING TIME vs INPUT VOLTAGE (DG445)

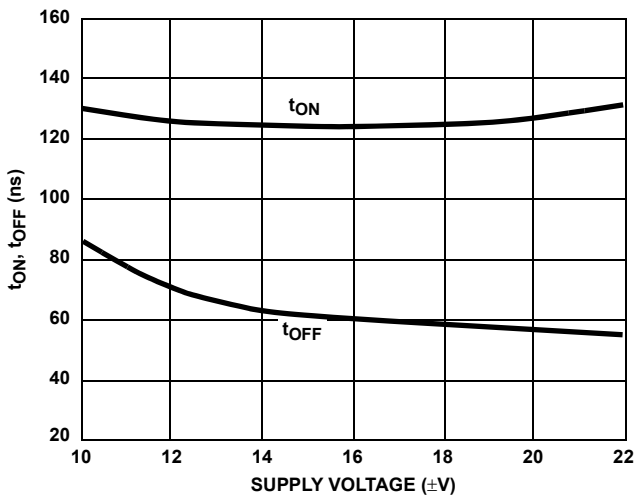


FIGURE 18. SWITCHING TIME vs POWER SUPPLY VOLTAGE (DG444)

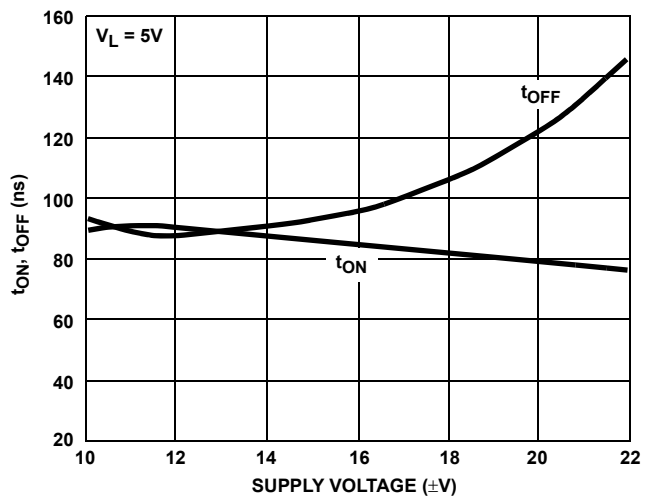


FIGURE 19. SWITCHING TIME vs POWER SUPPLY VOLTAGE (DG445)

**Typical Performance Curves** (Continued)

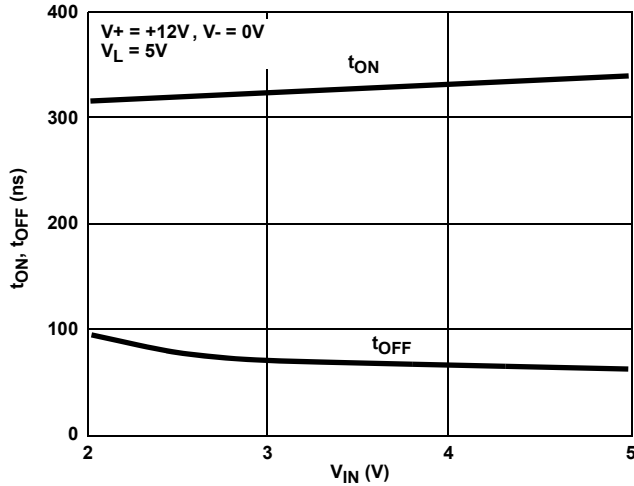


FIGURE 20. SWITCHING TIME vs INPUT VOLTAGE (DG444) (SINGLE 12V SUPPLY)

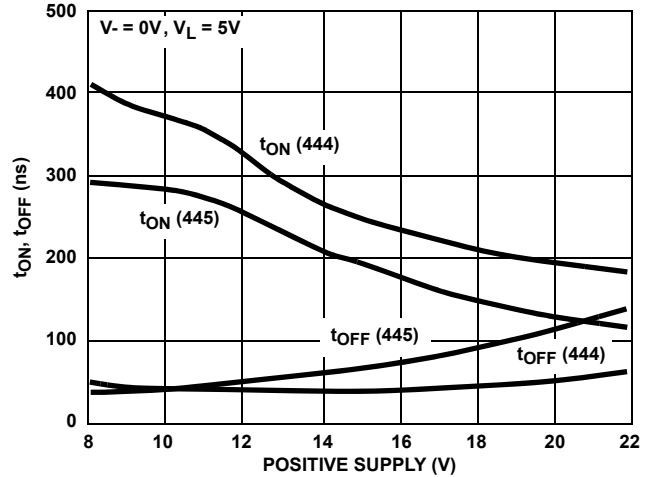


FIGURE 21. SWITCHING TIMES vs SINGLE SUPPLY VOLTAGE

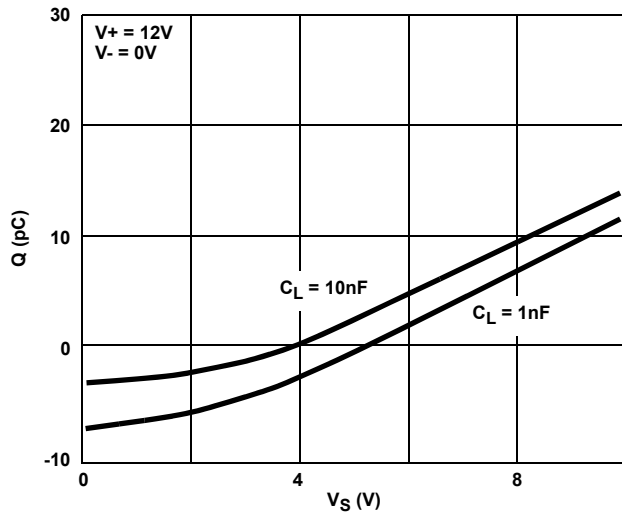


FIGURE 22. CHARGE INJECTION vs SOURCE VOLTAGE (SINGLE 12V SUPPLY)

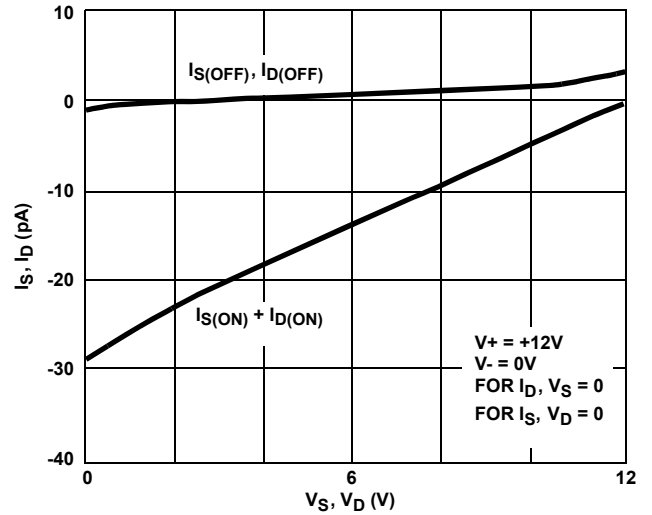


FIGURE 23. SOURCE/DRAIN LEAKAGE CURRENTS (SINGLE 12V SUPPLY)

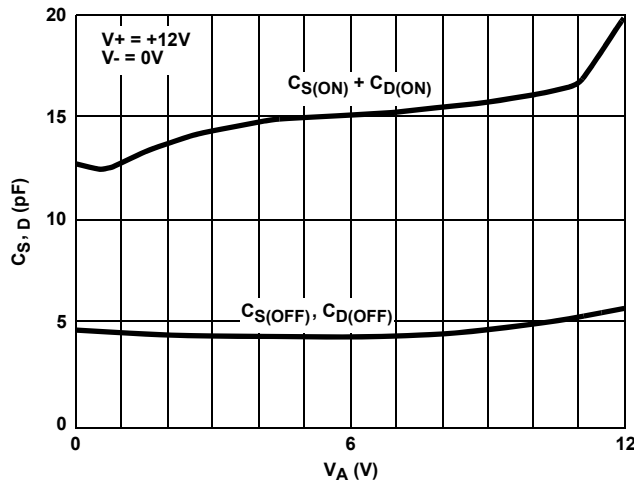


FIGURE 24. SOURCE/DRAIN CAPACITANCE vs ANALOG VOLTAGE (SINGLE 12V SUPPLY)

## Die Characteristics

### METALLIZATION:

Type: SiAl  
Thickness:  $12\text{k}\text{\AA} \pm 1\text{k}\text{\AA}$

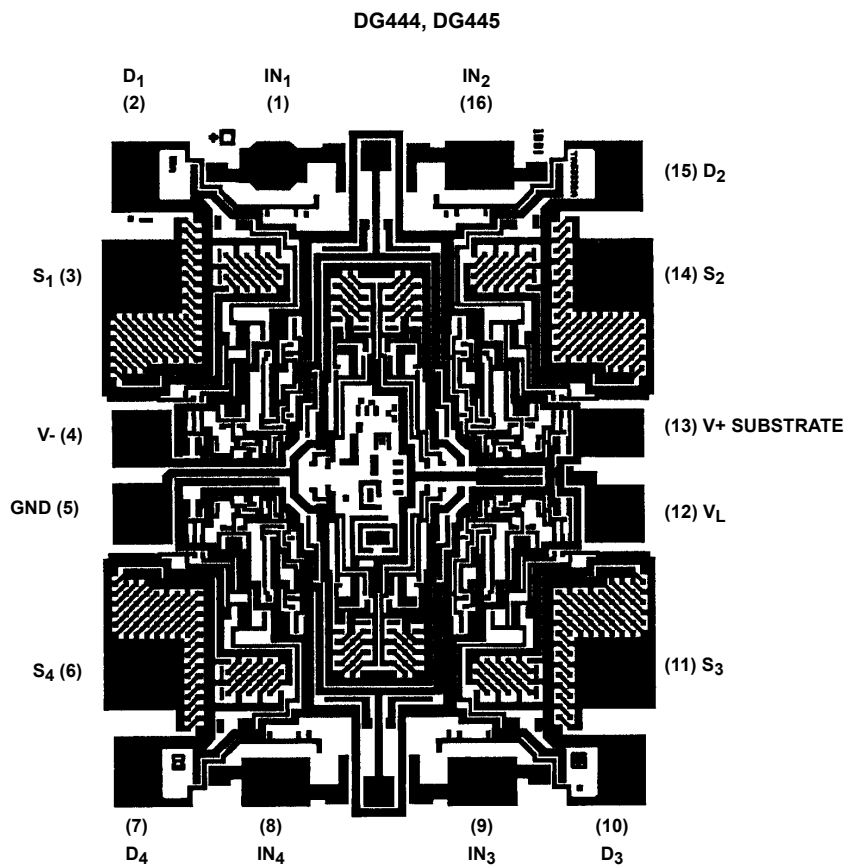
### PASSIVATION:

Type: Nitride  
Thickness:  $8\text{k}\text{\AA} \pm 1\text{k}\text{\AA}$

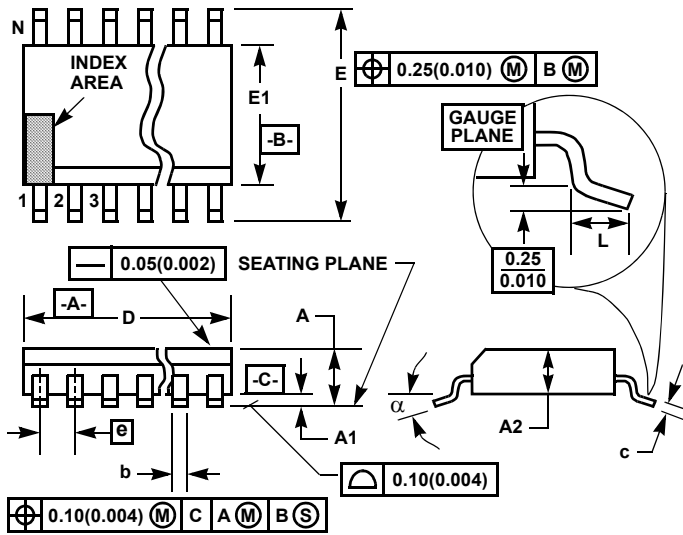
### WORST CASE CURRENT DENSITY:

$9.1 \times 10^4 \text{ A/cm}^2$

## Metallization Mask Layout



**Thin Shrink Small Outline Plastic Packages (TSSOP)**



**NOTES:**

1. These package dimensions are within allowable dimensions of JEDEC MO-153-AB, Issue E.
2. Dimensioning and tolerancing per ANSI Y14.5M-1982.
3. Dimension "D" does not include mold flash, protrusions or gate burrs. Mold flash, protrusion and gate burrs shall not exceed 0.15mm (0.006 inch) per side.
4. Dimension "E1" does not include interlead flash or protrusions. Interlead flash and protrusions shall not exceed 0.15mm (0.006 inch) per side.
5. The chamfer on the body is optional. If it is not present, a visual index feature must be located within the crosshatched area.
6. "L" is the length of terminal for soldering to a substrate.
7. "N" is the number of terminal positions.
8. Terminal numbers are shown for reference only.
9. Dimension "b" does not include dambar protrusion. Allowable dambar protrusion shall be 0.08mm (0.003 inch) total in excess of "b" dimension at maximum material condition. Minimum space between protrusion and adjacent lead is 0.07mm (0.0027 inch).
10. Controlling dimension: MILLIMETER. Converted inch dimensions are not necessarily exact. (Angles in degrees)

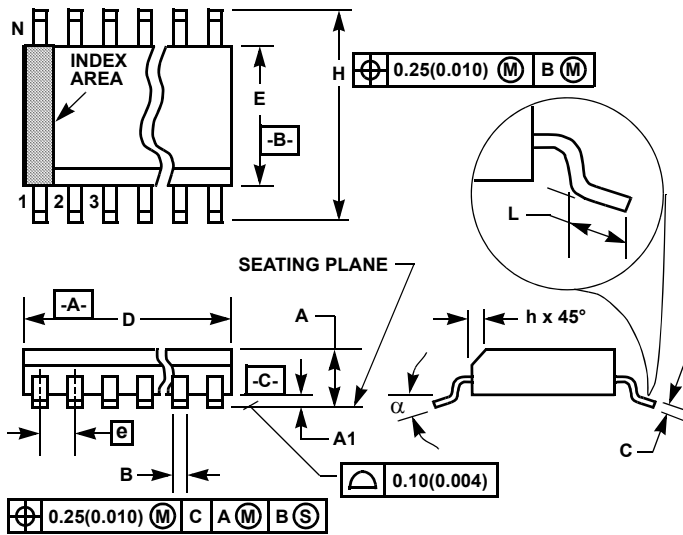
**M16.173**

**16 LEAD THIN SHRINK SMALL OUTLINE PLASTIC PACKAGE**

| SYMBOL | INCHES    |       | MILLIMETERS |      | NOTES |
|--------|-----------|-------|-------------|------|-------|
|        | MIN       | MAX   | MIN         | MAX  |       |
| A      | -         | 0.043 | -           | 1.10 | -     |
| A1     | 0.002     | 0.006 | 0.05        | 0.15 | -     |
| A2     | 0.033     | 0.037 | 0.85        | 0.95 | -     |
| b      | 0.0075    | 0.012 | 0.19        | 0.30 | 9     |
| c      | 0.0035    | 0.008 | 0.09        | 0.20 | -     |
| D      | 0.193     | 0.201 | 4.90        | 5.10 | 3     |
| E1     | 0.169     | 0.177 | 4.30        | 4.50 | 4     |
| e      | 0.026 BSC |       | 0.65 BSC    |      | -     |
| E      | 0.246     | 0.256 | 6.25        | 6.50 | -     |
| L      | 0.020     | 0.028 | 0.50        | 0.70 | 6     |
| N      | 16        |       | 16          |      | 7     |
| α      | 0°        | 8°    | 0°          | 8°   | -     |

Rev. 1 2/02

**Small Outline Plastic Packages (SOIC)**



**M16.15 (JEDEC MS-012-AC ISSUE C)  
16 LEAD NARROW BODY SMALL OUTLINE PLASTIC PACKAGE**

| SYMBOL | INCHES    |        | MILLIMETERS |       | NOTES |
|--------|-----------|--------|-------------|-------|-------|
|        | MIN       | MAX    | MIN         | MAX   |       |
| A      | 0.0532    | 0.0688 | 1.35        | 1.75  | -     |
| A1     | 0.0040    | 0.0098 | 0.10        | 0.25  | -     |
| B      | 0.013     | 0.020  | 0.33        | 0.51  | 9     |
| C      | 0.0075    | 0.0098 | 0.19        | 0.25  | -     |
| D      | 0.3859    | 0.3937 | 9.80        | 10.00 | 3     |
| E      | 0.1497    | 0.1574 | 3.80        | 4.00  | 4     |
| e      | 0.050 BSC |        | 1.27 BSC    |       | -     |
| H      | 0.2284    | 0.2440 | 5.80        | 6.20  | -     |
| h      | 0.0099    | 0.0196 | 0.25        | 0.50  | 5     |
| L      | 0.016     | 0.050  | 0.40        | 1.27  | 6     |
| N      | 16        |        | 16          |       | 7     |
| α      | 0°        | 8°     | 0°          | 8°    | -     |

**NOTES:**

1. Symbols are defined in the "MO Series Symbol List" in Section 2.2 of Publication Number 95.
2. Dimensioning and tolerancing per ANSI Y14.5M-1982.
3. Dimension "D" does not include mold flash, protrusions or gate burrs. Mold flash, protrusion and gate burrs shall not exceed 0.15mm (0.006 inch) per side.
4. Dimension "E" does not include interlead flash or protrusions. Interlead flash and protrusions shall not exceed 0.25mm (0.010 inch) per side.
5. The chamfer on the body is optional. If it is not present, a visual index feature must be located within the crosshatched area.
6. "L" is the length of terminal for soldering to a substrate.
7. "N" is the number of terminal positions.
8. Terminal numbers are shown for reference only.
9. The lead width "B", as measured 0.36mm (0.014 inch) or greater above the seating plane, shall not exceed a maximum value of 0.61mm (0.024 inch).
10. Controlling dimension: MILLIMETER. Converted inch dimensions are not necessarily exact.

Rev. 1 6/05

© Copyright Intersil Americas LLC 1999-2007. All Rights Reserved.  
All trademarks and registered trademarks are the property of their respective owners.

For additional products, see [www.intersil.com/en/products.html](http://www.intersil.com/en/products.html)

Intersil products are manufactured, assembled and tested utilizing ISO9001 quality systems as noted in the quality certifications found at [www.intersil.com/en/support/qualandreliability.html](http://www.intersil.com/en/support/qualandreliability.html)

*Intersil products are sold by description only. Intersil may modify the circuit design and/or specifications of products at any time without notice, provided that such modification does not, in Intersil's sole judgment, affect the form, fit or function of the product. Accordingly, the reader is cautioned to verify that datasheets are current before placing orders. Information furnished by Intersil is believed to be accurate and reliable. However, no responsibility is assumed by Intersil or its subsidiaries for its use; nor for any infringements of patents or other rights of third parties which may result from its use. No license is granted by implication or otherwise under any patent or patent rights of Intersil or its subsidiaries.*

For information regarding Intersil Corporation and its products, see [www.intersil.com](http://www.intersil.com)

## Looking for pricing, stock, or lifecycle information?

Click below to explore more details on WIN SOURCE:

- ⊖ [View DG445DVZ on WIN SOURCE](#)
- ⊖ [Renesas Electronics America](#) Information

## Optimize Your Supply Chain with WIN SOURCE Solutions

- ✓ Global Sourcing Solution
- ✓ Obsolete Management
- ✓ Cost Control Management
- ✓ Shortage Management
- ✓ Alternative Solution
- ✓ Excess Inventory Management